

32 AND 33 COVER

ADJUSTMENTS, LUBRICATION, AND DISASSEMBLY AND REASSEMBLY

CONTENTS	PAGE
1. GENERAL	1
2. ADJUSTMENTS	1
Dial to cover	3
Knob to bezel	3
3. LUBRICATION	4
Cover	5
Lid	5
4. DISASSEMBLY AND REASSEMBLY . .	6

1. GENERAL

1.01 This section is issued to provide adjustment, lubrication, and disassembly and reassembly information for the 32 and 33 cover and to present the information as a separate section.

1.02 A plastic cover such as is shown in Figure 1 provides a decorative and protective enclosure for the typing unit, keyboard, and call control unit. A lid, which is spring detented in its open position, may be raised to gain access to the typing unit for replenishing such items as paper and ribbon. A window permits viewing the copy and provides a cutting edge for tearing paper or forms. Slots at the rear of the cover hold the

paper roll spindle. Mounting slots are provided for a copy holder. A nameplate (Figure 2) is mounted at the front.

1.03 The cover is mounted at its outer edges on a cast subbase (Figure 2) which serves as a foundation for the keyboard, typing unit, and call control unit. Rubber vibration isolators support the typing unit.

1.04 Reference to "left," "right," "front," or "rear," etc, consider the cover to be viewed from a position where the lid is up and the nameplate position is facing toward the viewer.

2. ADJUSTMENTS

2.01 In the adjustments covered in this section, location of clearances and position of parts are illustrated by line drawings. Requirements and procedures are set forth in the texts that accompany the line drawings.

2.02 If the mounted cover and/or other parts are removed to facilitate the making of an adjustment, replace it and/or the other parts after making the adjustment. Recheck any adjustments that may have been affected by the removal of the cover and/or other parts.

2.03 Unless specifically stated otherwise, make screws or nuts friction tight to make an adjustment, and tighten them securely once the adjustment has been made.

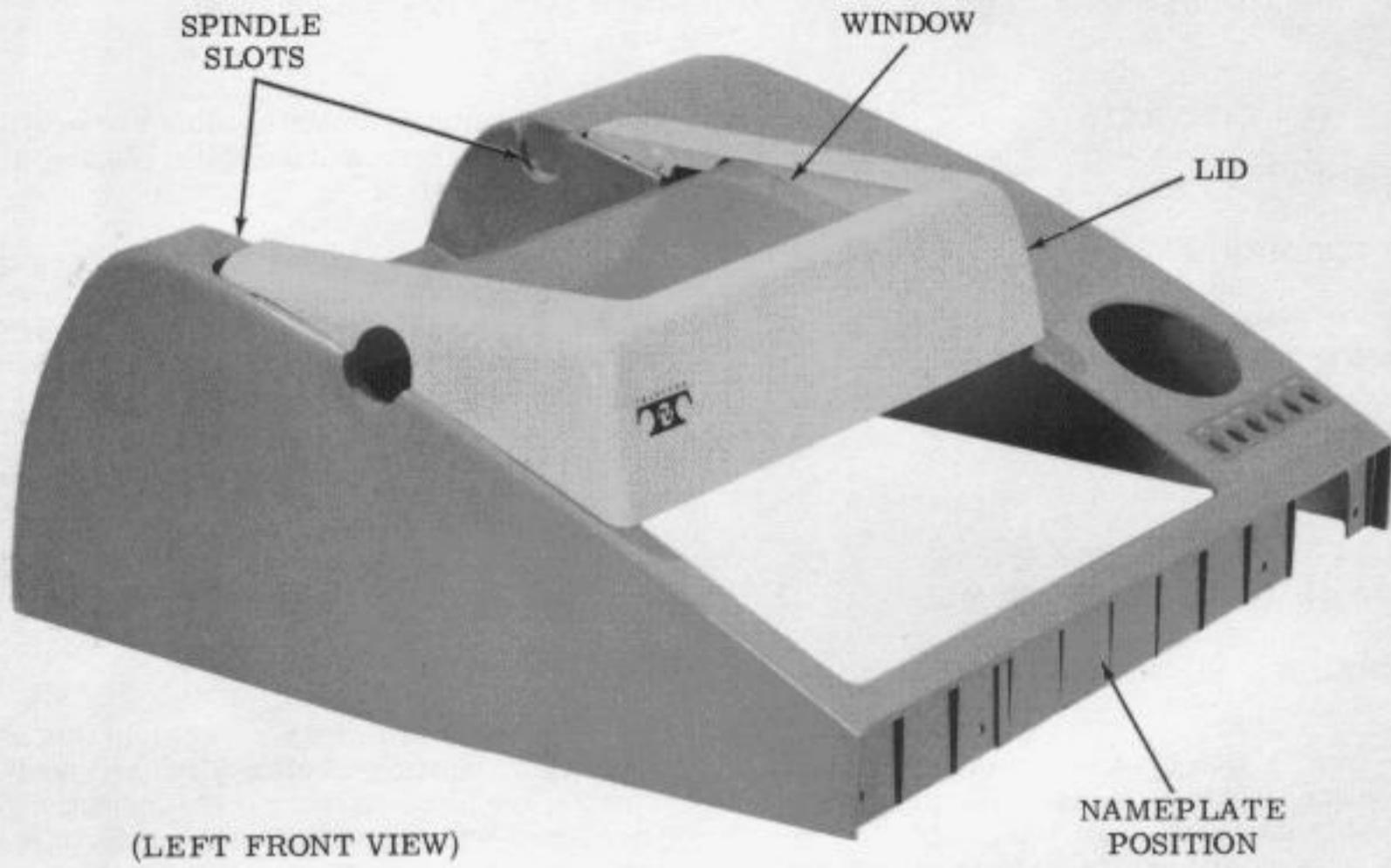
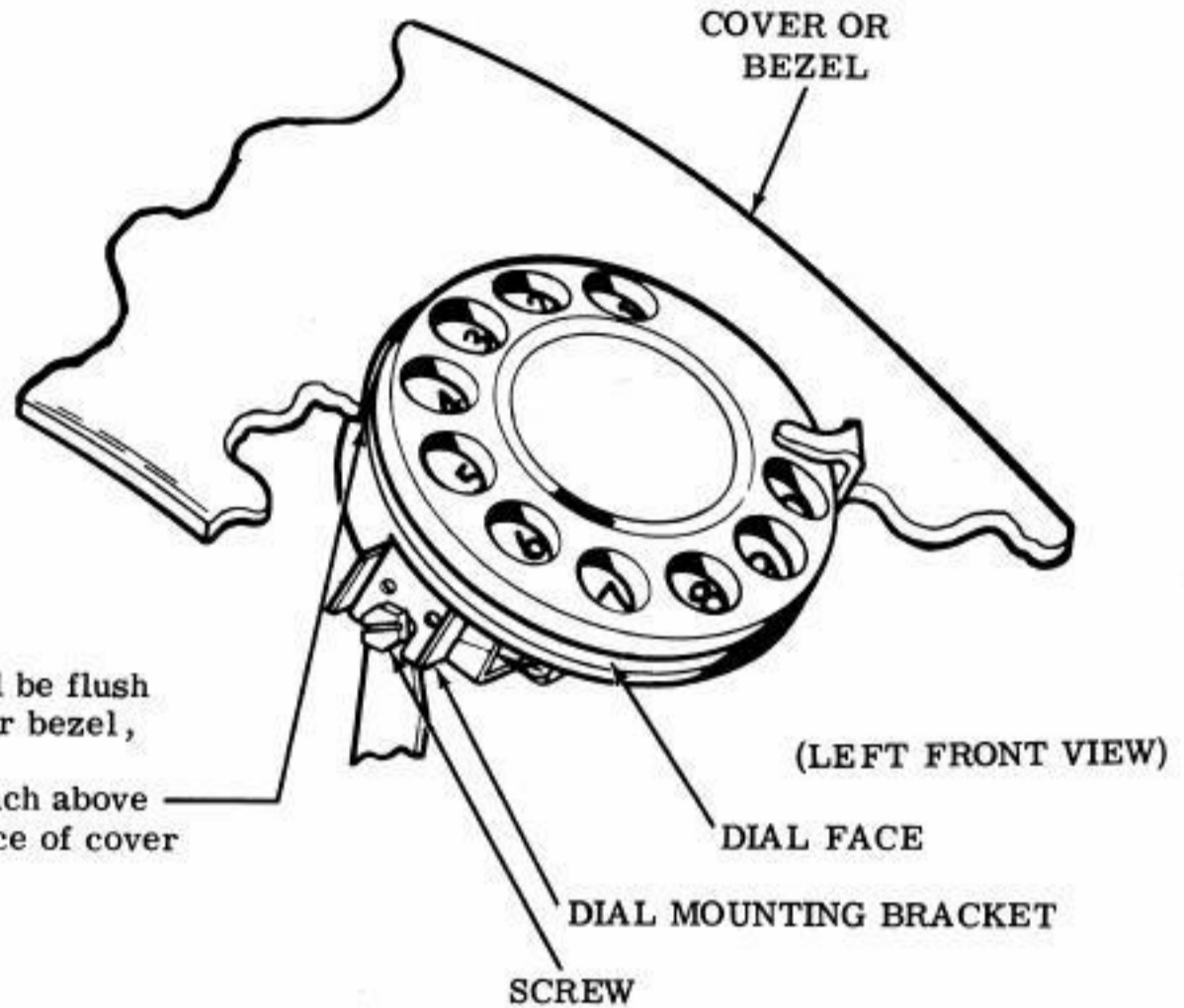


Figure 1 - Cover

2.04 Dial and Knob



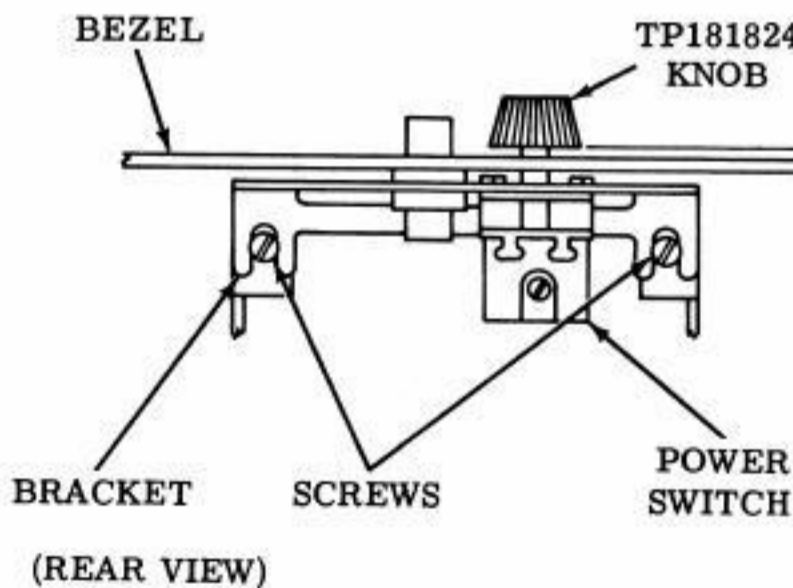
DIAL TO COVER

Requirement

The numbered dial face shall be flush to outside surface of cover or bezel, within
 1/16 inch below---3/32 inch above
 and parallel to outside surface of cover or bezel, within
 1/16 inch
 as gauged by eye.

To Adjust

With dial mounting bracket screws loosened, position the dial face.



KNOB TO BEZEL

To Check

Fully seat the TP181824 knob on the power switch.

Requirement

Min Some---Max 1/8 inch
 between the bottom of the knob and the face of the bezel.

To Adjust

Remove the TP181824 knob and the cover. (See Part 4 of this section for instructions.) Loosen screws and position the bracket. Recheck the "Requirement."

3. LUBRICATION

3.01 The general lubrication area is illustrated by a photograph. The specific points to receive lubricant are indicated on a line drawing with appropriate textual instructions. The line drawing and textual instructions follow the photograph and are keyed to the photograph by a paragraph number.

3.02 Lubricate the cover as indicated. Do not allow any lubricant to drop onto any adjacent parts. Use KS7470 oil where oil is specified.

3.03 Lubricate the cover before placing it into service or prior to storage. After a short period of service, relubricate it to make sure that no areas have been missed. Thereafter, lubricate the cover at regular intervals as indicated below:

OPERATING SPEED (WORDS PER MINUTE)	LUBRICATION INTERVAL
60 or 66	1000 hr* or 1 yr**
100	500 hr* or 6 mo**

*Station Set operating hours.

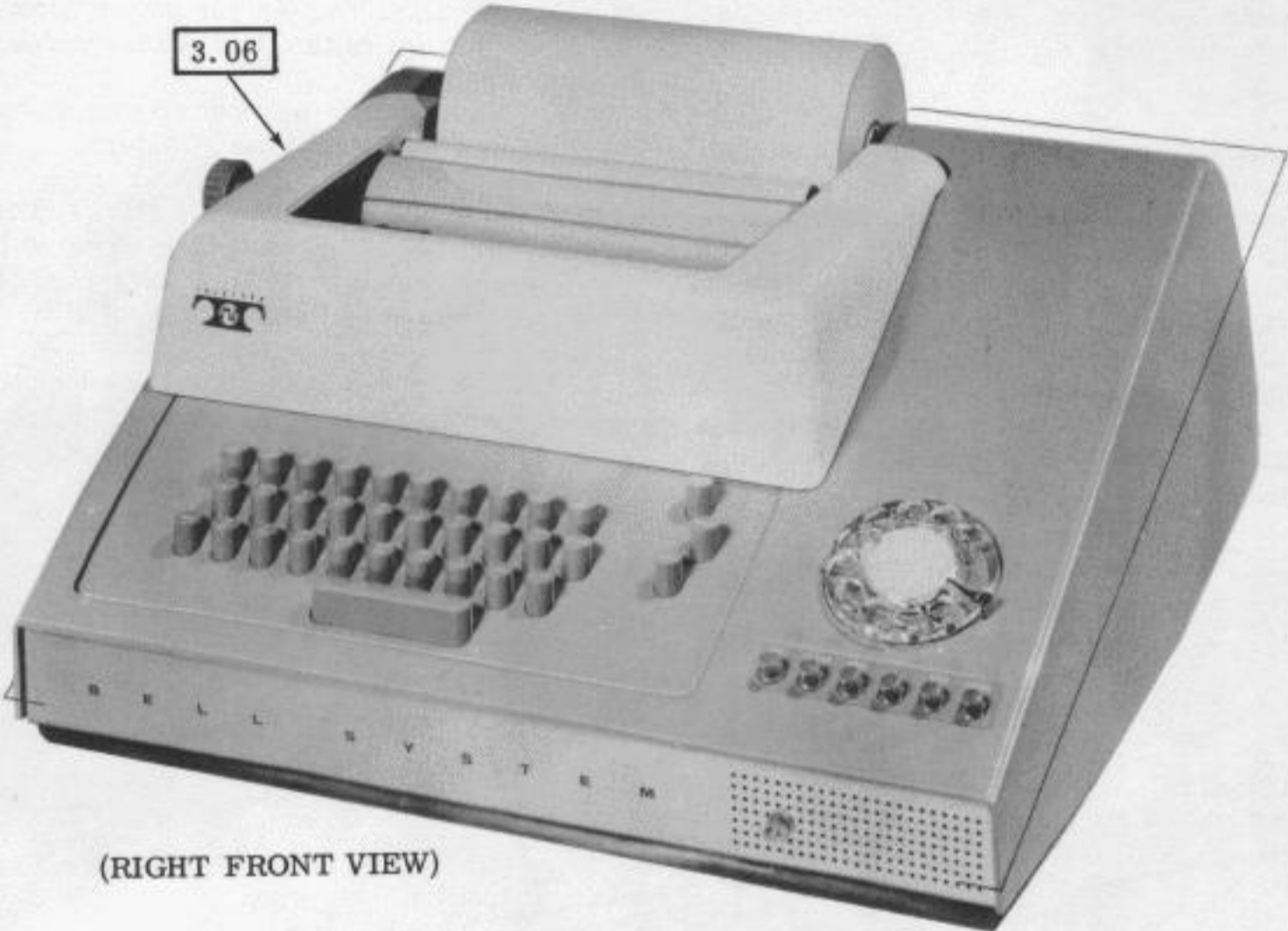
**Whichever comes first.

3.04 The textual instructions that accompany the line drawing consist of abbreviated directions, specific lubrication points, and parts affected. The meanings of the abbreviated directions (symbols) are given below:

SYMBOL	MEANING
D	Keep dry—no lubricant permitted.
OSD	Oil sparingly or leave dry.

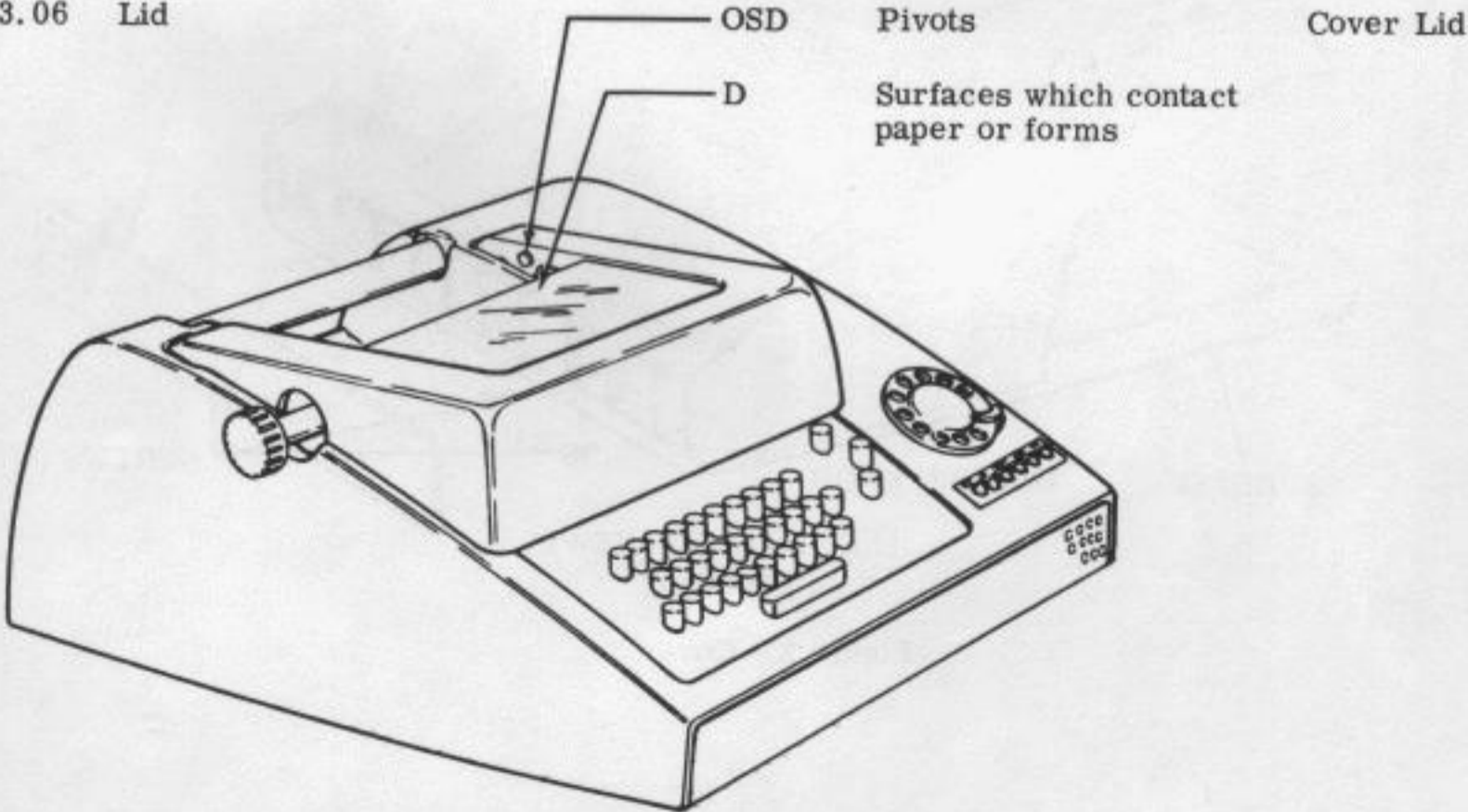
CAUTION: DO NOT USE ALCOHOL, MINERAL SPIRITS, OR OTHER SOLVENTS TO CLEAN ANY PLASTIC PARTS OR PARTS WITH PROTECTIVE DECORATIVE FINISHES. NORMALLY, A SOFT, DRY CLOTH SHOULD BE USED TO REMOVE DUST, OIL, GREASE OR OTHERWISE CLEAN PARTS OR SUBASSEMBLIES. IF NECESSARY, A SOFT DAMP CLOTH WITH SOAP OR A MILD DETERGENT MAY BE USED. AFTERWARDS, RINSE EACH CLEANED PART OR SUBASSEMBLY WITH A SOFT, DAMP CLOTH, AND BUFF WITH A SOFT, DRY CLOTH.

3.05 Cover



(RIGHT FRONT VIEW)

3.06 Lid



4. DISASSEMBLY AND REASSEMBLY

4.01 Before beginning disassembly, remove connectors from external receptacles (power source, data set, etc).

4.02 Remove paper and paper roll spindle. Remove bezel, if used, on call control unit by removing two mounting screws. Remove either the volume control knob, if used, or the power switch rotary knob, if used, by pulling frontward. Remove the nameplate by pulling it down and out. Remove the platen knob used on friction feed typing units by pulling it to the left. On sprocket feed typing units, remove a platen knob screw first, then remove the platen knob by pulling it to the left.

4.03 Remove seven TP125002 mounting screws—four in the front and three in the rear of the cover (Figure 2).

Note: On Automatic Send-Receive Teletypewriter Sets, remove the screw from the left rear corner of the tape reader cover.

4.04 Gently lift the cover from the subbase and set it aside.

Note: At this point, if any disassembly of the typing unit is to take place, remove external connections (signal line, etc) from the terminal board of the call control unit.

4.05 To replace the cover, reverse the procedure used to remove it. Make sure that the keyboard, dial, etc, are properly aligned in the holes provided.

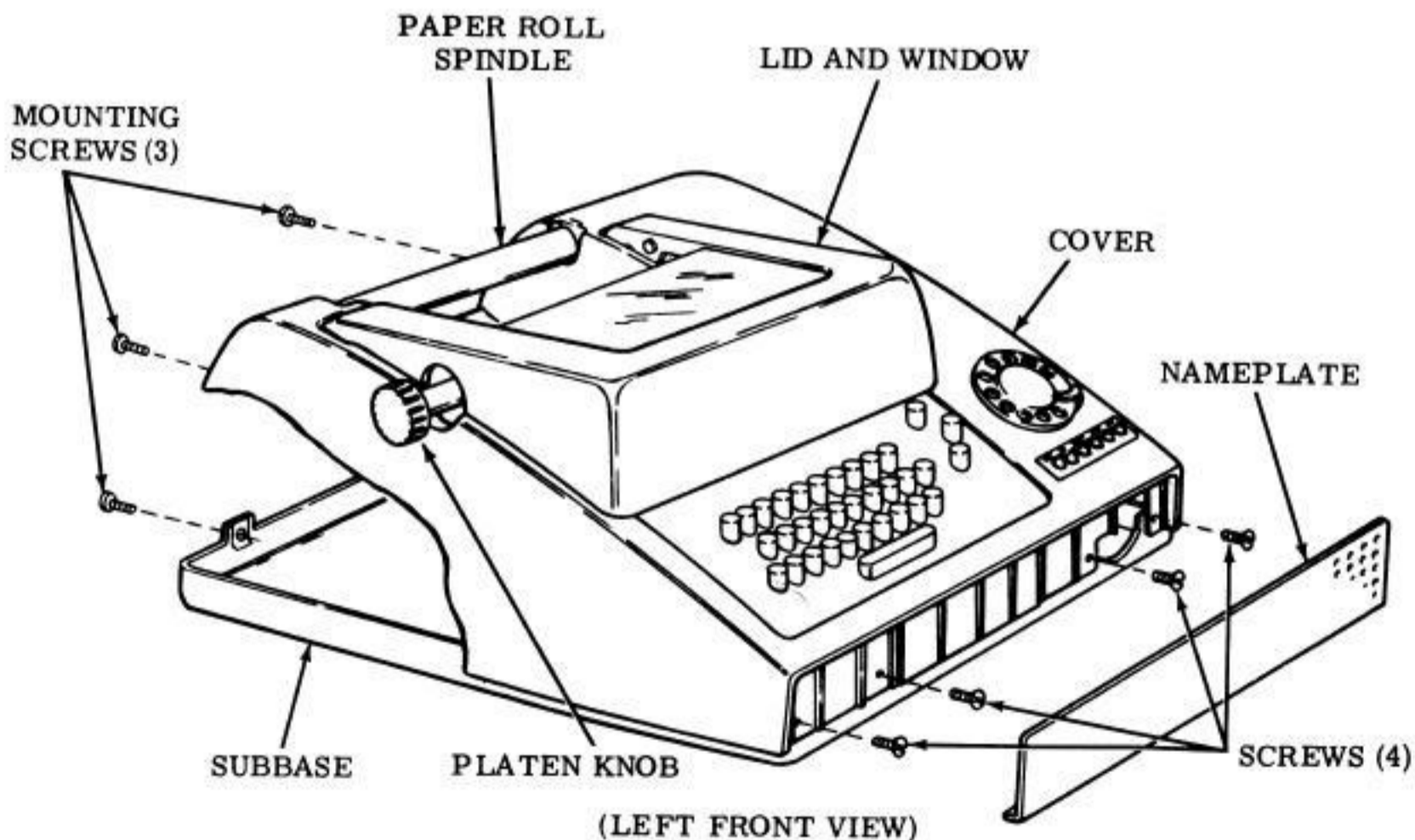


Figure 2 - Cover