

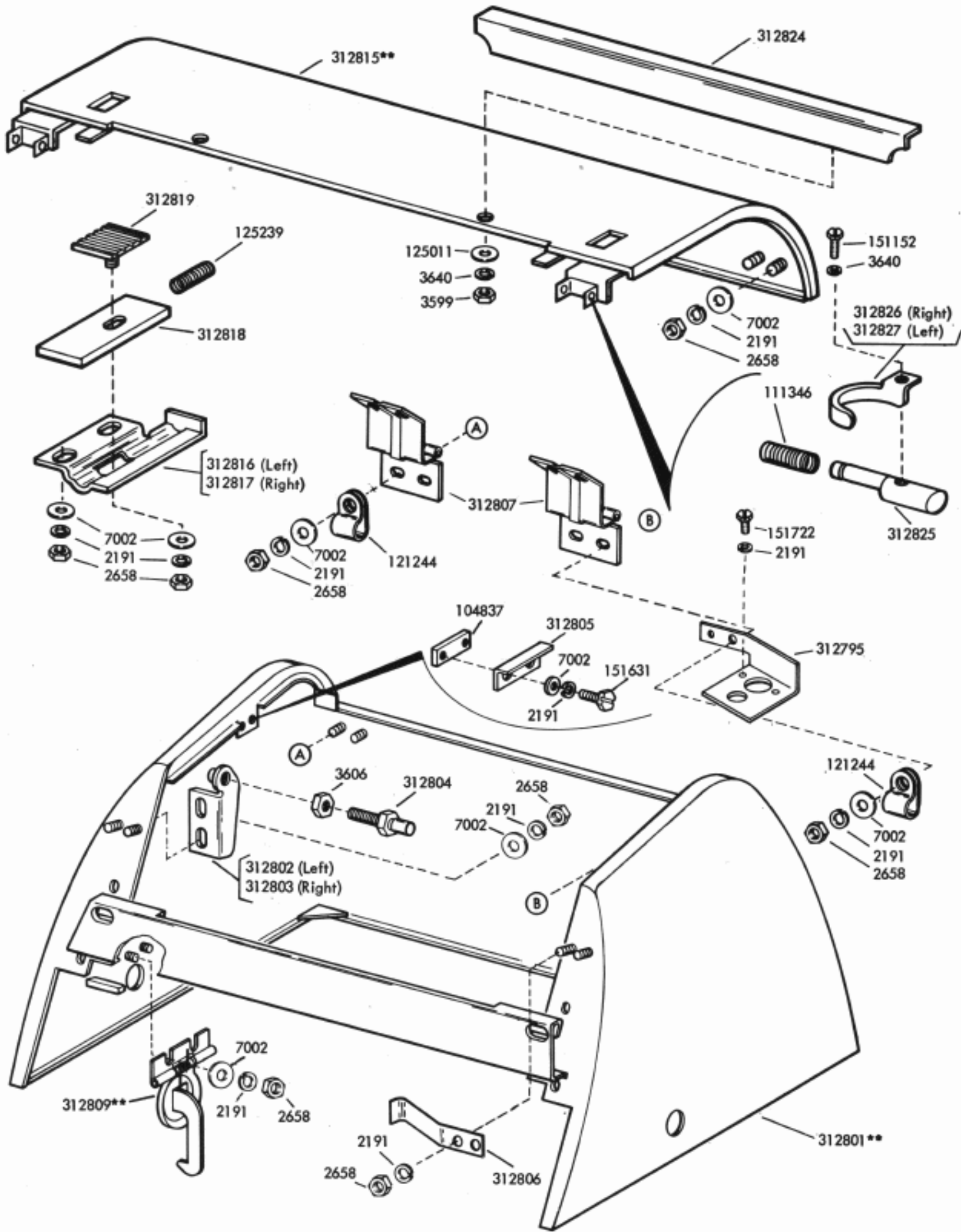
37 PAGE PRINTER COVER (YPC)

PARTS

FIGURE CONTENTS PAGE

1	Cover and Rear Lid	2
2	Cover and Rear Lid	3
3	Front Lid	4
4	Copyright	5
5	Front Lid	5
6	Pan and Pads	6
7	Pan and Pads	7
	Numerical Index	8

COLOR CODE CHART		
For parts and assemblies requiring a paint finish.		
Multi-Color Code	Paint	Plastic
MK - Charcoal Gray	GF - Charcoal Gray, Textured HJ - Ivory, Smooth Vinyl	PE - Champagne PD - Ivory
The double asterisk (**) denotes a painted part. Suffix to be applied following the part number.		



**Refer to page 1 for finish suffix

FIGURE 1. COVER AND REAR LID

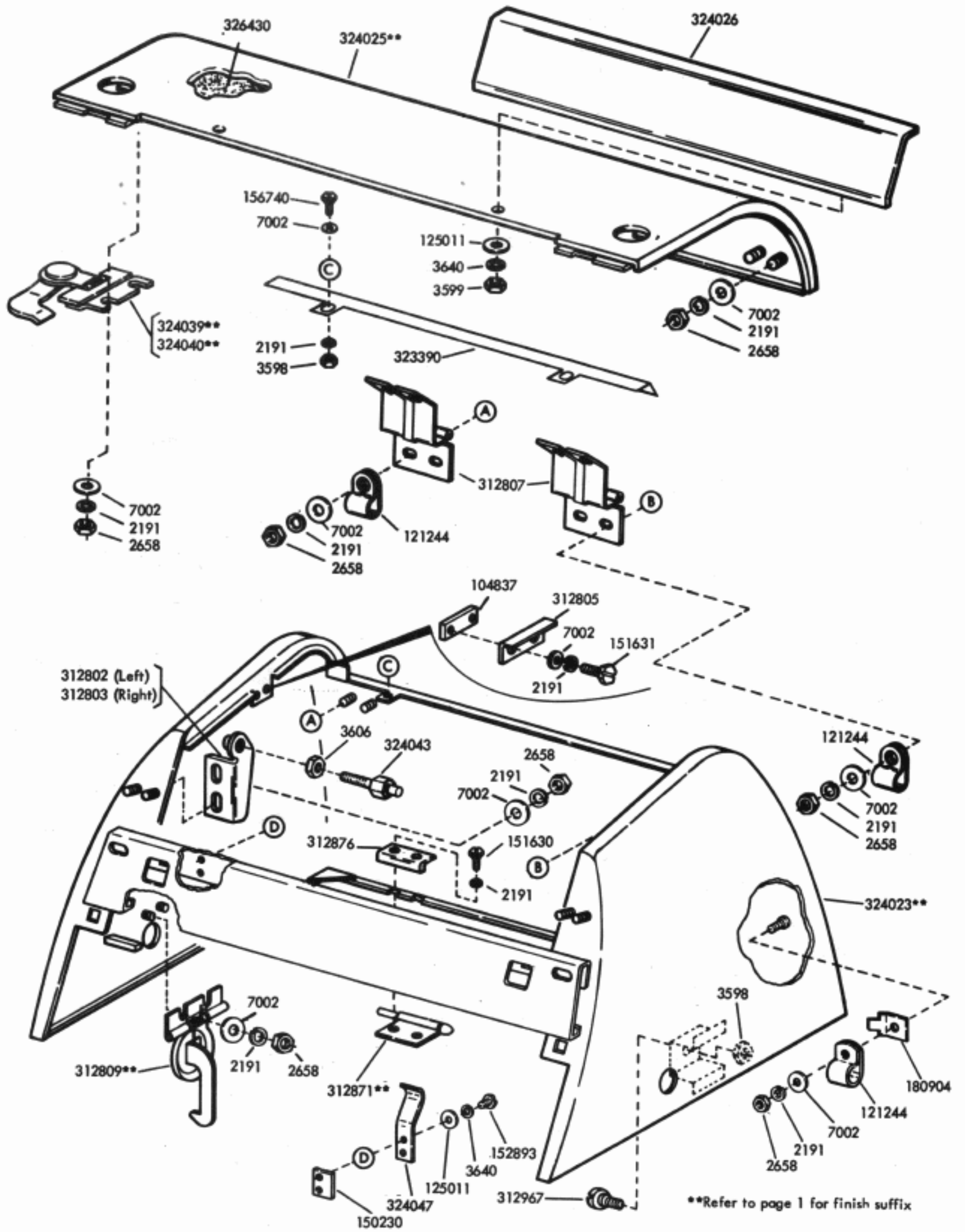


FIGURE 2. COVER AND REAR LID

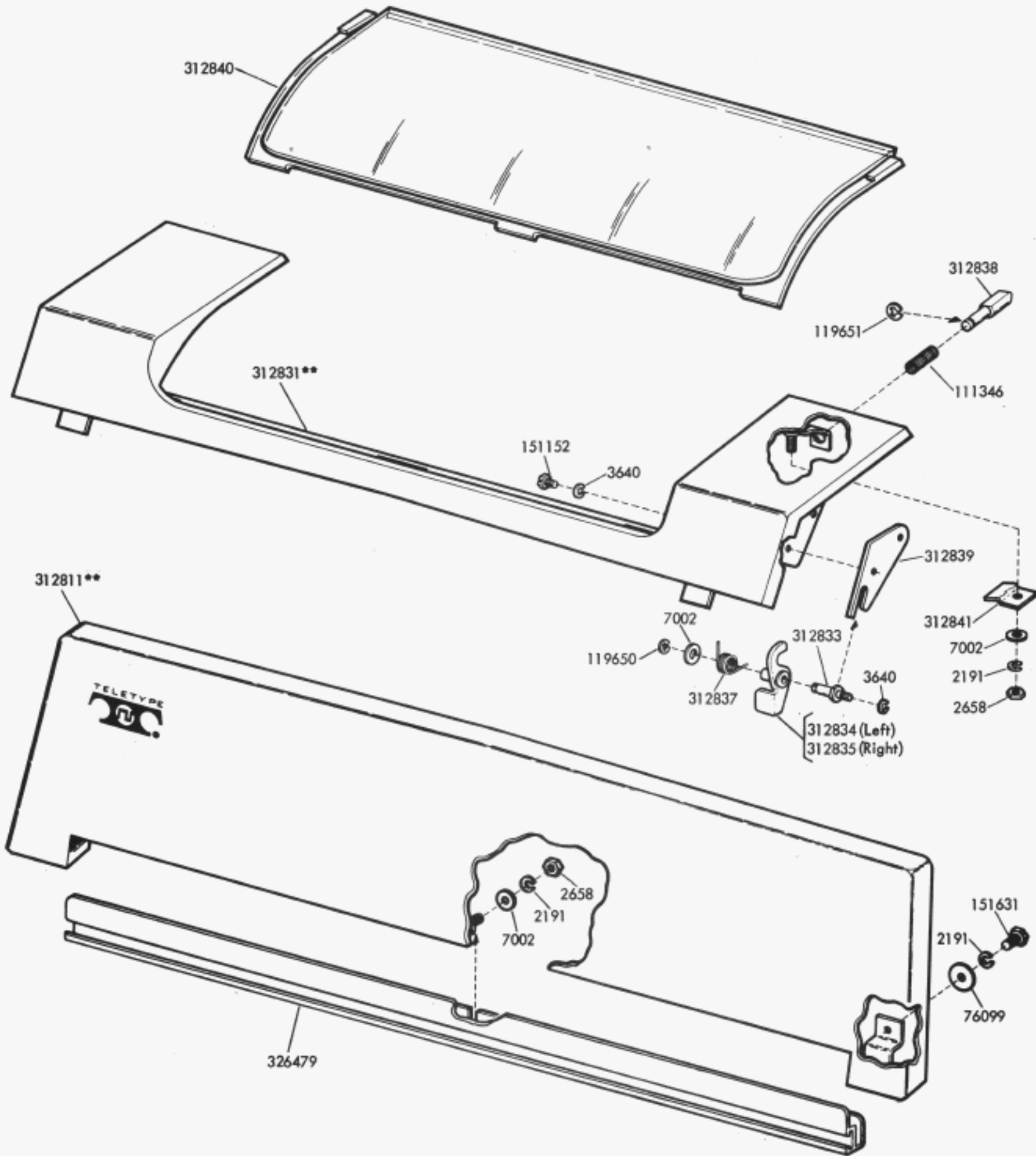
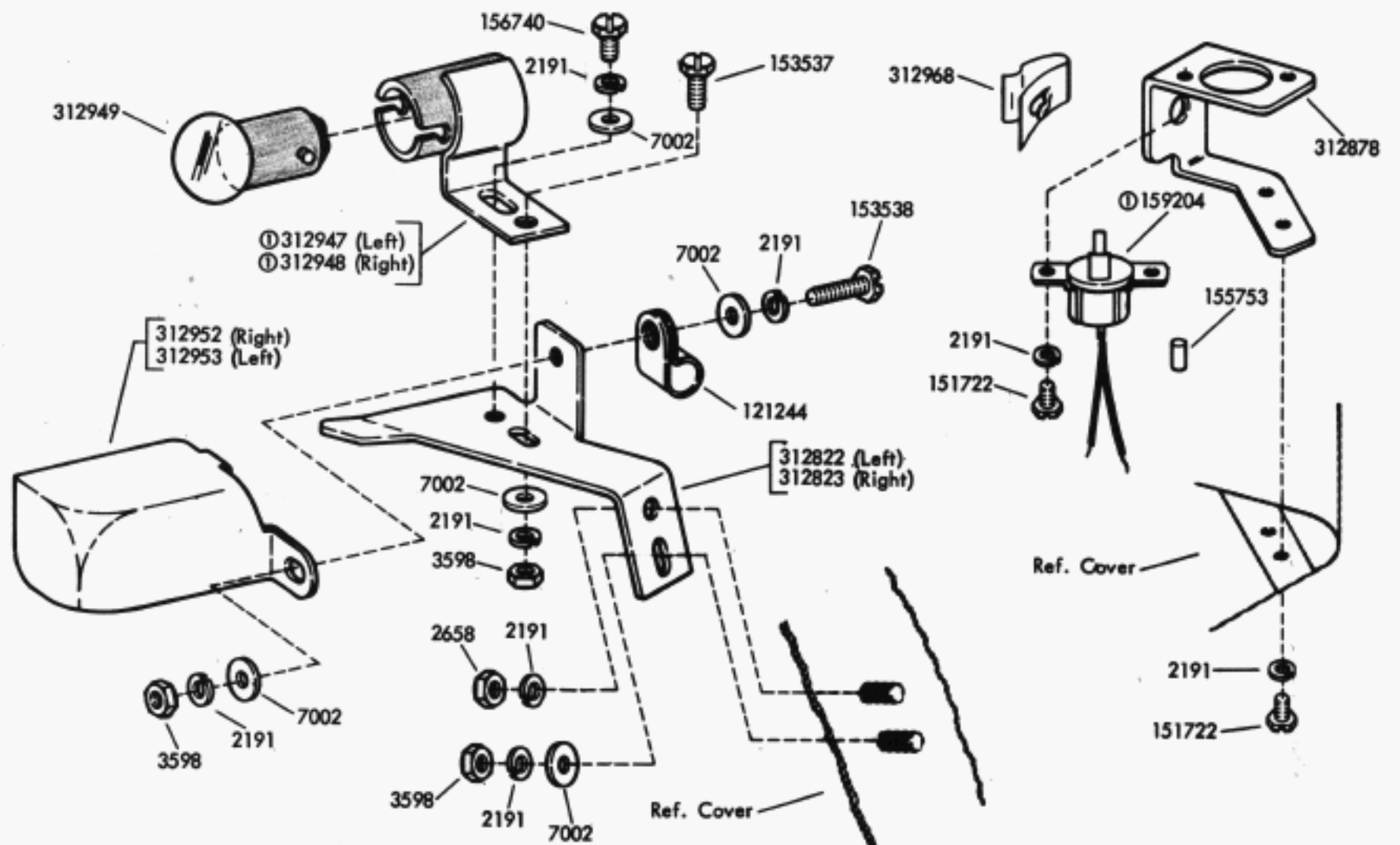
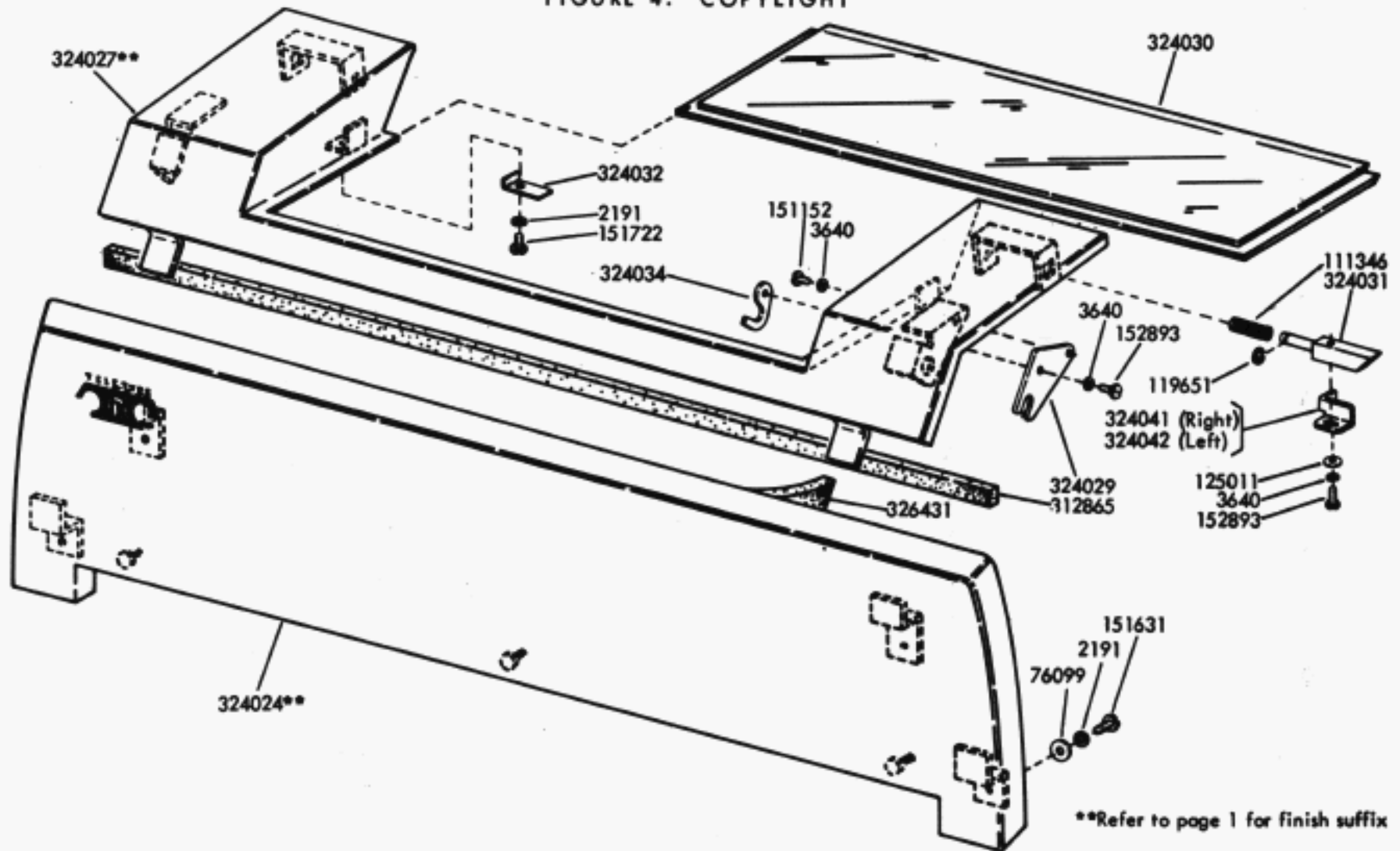


FIGURE 3. FRONT LID



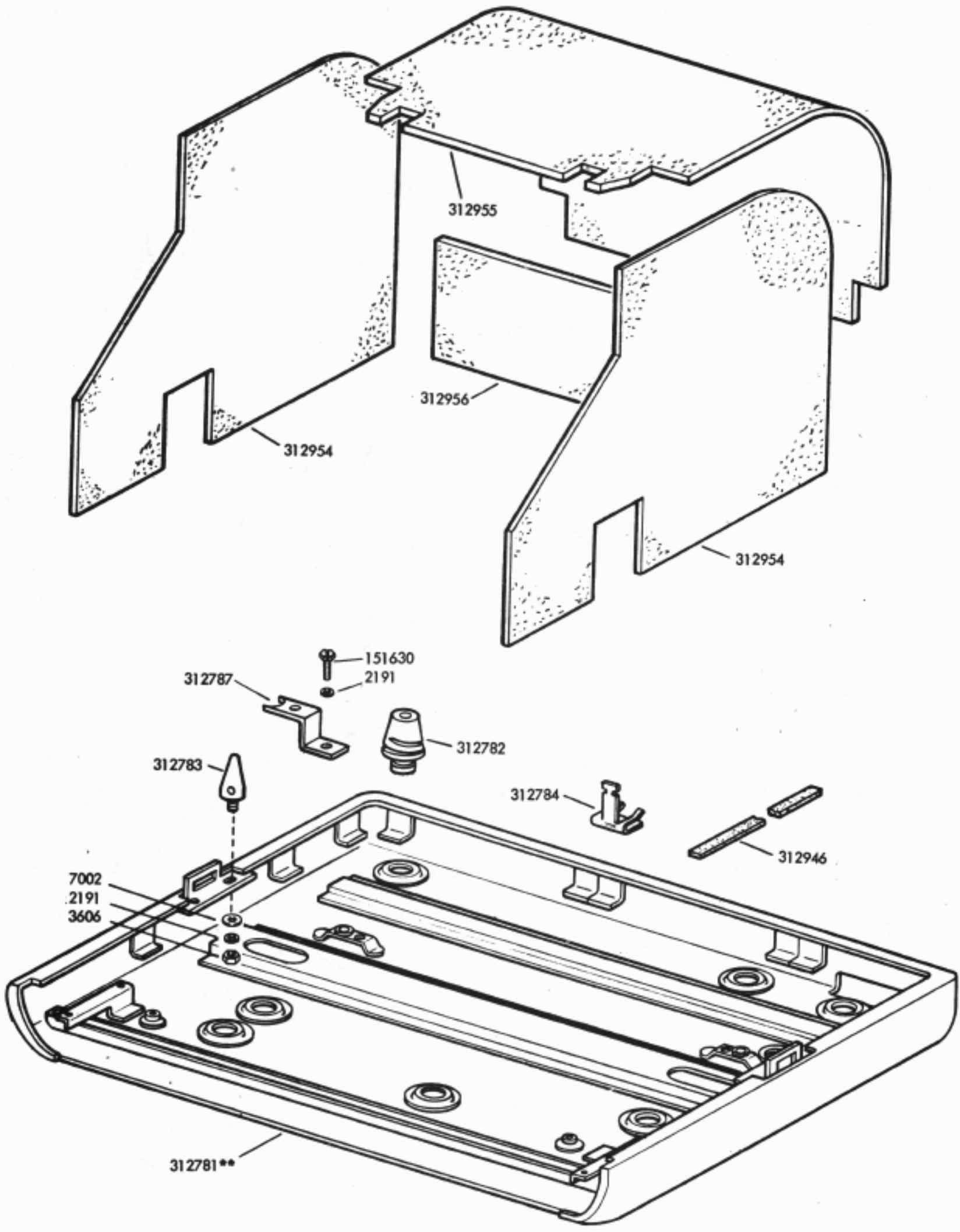
① Part of 312905 Cable Assembly

FIGURE 4. COPYLEFT



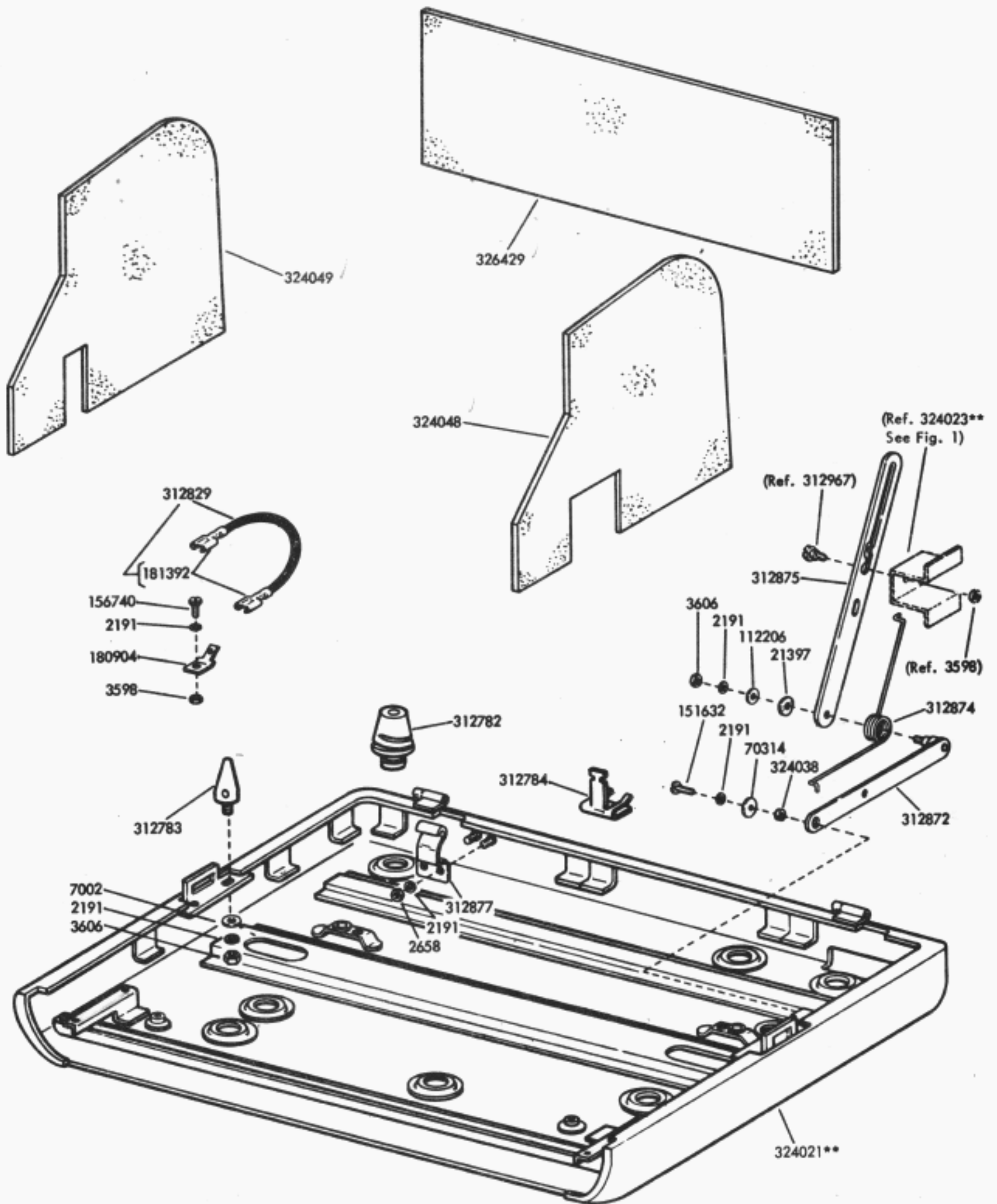
**Refer to page 1 for finish suffix

FIGURE 5. FRONT LID



Refer to page 1 for finish suffix

FIGURE 6. PAN AND PADS



**Refer to Page 1 for Finish Suffix

FIGURE 7. PAN AND PADS

NUMERICAL INDEX

Part Number	Description and Page Number	Part Number	Description and Page Number	Part Number	Description and Page Number
2191	Washer, Lock 2 to 7	312795	Bracket, Connector 2	312878	Bracket, Connector Mounting 5
2658	Nut, 6-32 Hex 2 to 5, 7	312801**	Cover 2	312905	Cable Assembly 5
3598	Nut, 6-40 Hex 3, 5, 7	312802	Bracket, Left Hinge 2, 3	312946	Gasket 6
3599	Nut, 4-40 Hex 2, 3	312803	Bracket, Right Hinge 2, 3	312947	Holder, Left Lamp 5
3606	Nut, 6-40 Hex 2, 3, 6, 7	312804	Post, Hinge 2	312948	Holder, Right Lamp 5
3640	Washer, Lock 2 to 5	312805	Stop, Lid 2, 3	312949	Lamp, Incandescent 5
7002	Washer, Flat 2 to 7	312806	Spring, Release 2	312952	Shield, Right Light 5
21397	Washer, Spring 7	312807	Hinge 2, 3	312953	Shield, Left Light 5
70314	Washer, Flat 7	312809**	Latch, Cover 2, 3	312954	Pad, Side 6
76099	Washer, Flat 4, 5	312811**	Cover, Front 4	312955	Pad, Top 6
104837	Plate, Clamp 2, 3	312815**	Lid, Rear 2	312956	Pad, Back 6
111346	Spring, Compression 2, 4, 5	312816	Housing, Left Latch 2	312967	Screw, 6-40 Shoulder 3, 7
112206	Washer, Flat 7	312817	Housing, Right Latch 2	312968	Clip, Cable 5
119650	Ring, Retaining 4	312818	Latch 2	323390	Strip, Wear 3
119651	Ring, Retaining 4, 5	312819	Plate, Latch 2	324021**	Pan, Cover 7
121244	Clamp, 1/4 ID Cable 2, 3, 5	312822	Bracket, Left Copylight 5	324023**	Cover 3, 7
125011	Washer, Flat 2, 3, 5	312823	Bracket, Right Copylight 5	324024**	Cover, Front 3
125239	Spring, Compression 2	312824	Guide, Paper 2	324025**	Lid, Rear 3
150230	Plate 3	312825	Latch, Rear Lid 2	324026	Guide, Paper 3
151152	Screw, 4-40 x 3/16 Hex 2, 4, 5	312826	Release, Right Latch 2	324027**	Lid, Front 5
151630	Screw, 6-40 x 1/4 Hex 3, 6	312827	Release, Left Latch 2	324029	Plate, Hinge 5
151631	Screw, 6-40 x 5/16 Hex 2 to 5	312829	Strap, 2-1/2" Braided 7	324030	Window 5
151632	Screw, 6-40 x 3/8 Hex 7	312831**	Lid, Front 4	324031	Latch, Front Lid 5
151722	Screw, 6-40 x 3/16 Hex 2, 5	312833	Post 4	324032	Clamp, Window 5
152893	Screw, 4-40 x 1/4 Hex 3, 5	312834	Latch, Left 4	324034	Latch 5
153537	Screw, 6-40 x 9/32 Hex 5	312835	Latch, Right 4	324038	Spacer, .120" Thk 7
153538	Screw, 6-40 x 7/16 Hex 5	312837	Spring, Torsion 4	324039**	Actuator, Left Latch 3
155753	Sleeve, 1/8 ID x 1/2" Lg Insulating 5	312838	Latch, Front Lid 4	324040**	Actuator, Right Latch 3
156740	Screw, 6-40 x 7/32 Hex 3, 5, 7	312839	Plate, Hinge 4	324041	Bracket, Right Latch 5
159204	Connector, 2 Pt Plug 5	312840	Window 4	324042	Bracket, Left Latch 5
180904	Tab, Terminal 3, 7	312841	Clamp, Window 4	324043	Post, Hinge 3
181392	Terminal, Tab Type 7	312865	Gasket 5	324047	Spring, Release 3
312781**	Pan, Cover 6	312871**	Hinge, Leaf 3	324048	Pad, Right Side 7
312782	Mount, Vibration 6, 7	312872	Arm w/Hub 7	324049	Pad, Left Side 7
312783	Stud, Locating 6, 7	312874	Spring, Torsion 7	326429	Pad, Rear Cover 7
312784	Clip, Speed 6, 7	312875	Arm, Connecting 7	326430	Pad, Rear Lid 3
312787	Retainer 6	312876	Plate, Retainer 3	326431	Pad, Front Cover 5
		312877	Retainer, Cover 7	326479	Strip, Trim 4

**Refer to page 1 for finish suffix