

37 ELECTRONIC DISTRIBUTOR (YTD)

PARTS

FIGURE	CONTENTS	PAGE
1	Electronic Distributor Unit	2
	Numerical Index	3

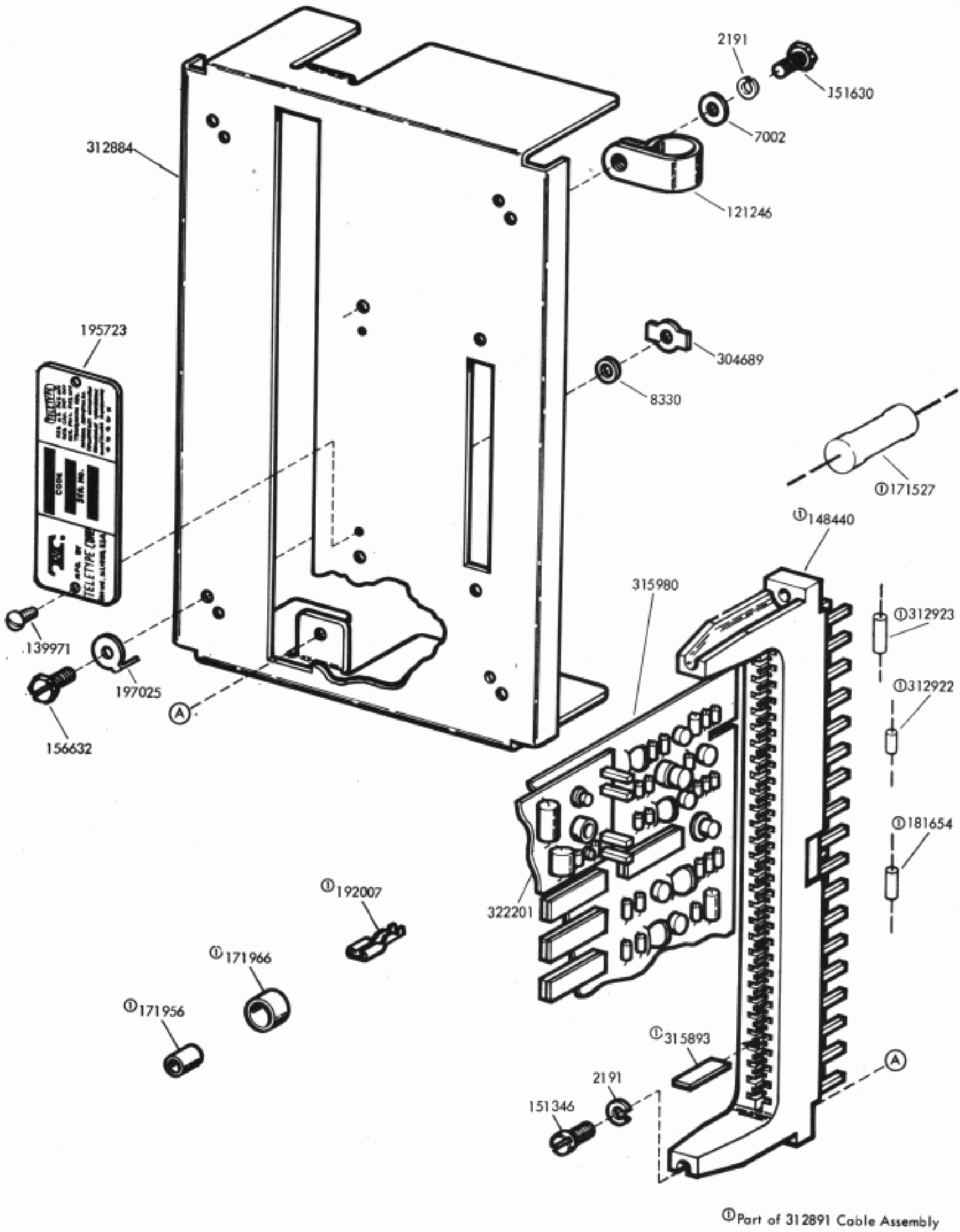


FIGURE 1. ELECTRONIC DISTRIBUTOR UNIT

NUMERICAL INDEX

Part Number	Description and Page Number	Part Number	Description and Page Number	Part Number	Description and Page Number
2191	Washer, Lock 2	156632	Screw, 6-40 x 13/32 Hex 2	304689	Plate, Clamp 2
7002	Washer, Flat 2	171527	Resistor, 200 Ohm 2	312884	Chassis 2
8330	Washer, Flat 2	171956	Connector, Green Shielding 2	312891	Cable Assembly 2
121246	Clamp, 3/8 ID Cable 2	171966	Connector, Purple Shielding 2	312922	Diode 2
139971	Screw, 2-56 Self-Tapping 2	181654	Diode 2	312923	Resistor, 11 Ohm 2
148440	Connector, 36 Pt Circuit Card 2	192007	Terminal, Tab Type 2	315893	Key, Polarizing 2
151346	Screw, 6-40 x 3/8 Fil 2	195723	Plate, Identification 2	315980	Card, Circuit 2
151630	Screw, 6-40 x 1/4 Hex 2	197025	Stop 2	322201	Timer, Bit 2