

37 TABLE (YT)

PARTS

FIGURE	CONTENTS	PAGE
1	Table and Components	2
2	Vibration Damping Strips	3
	Numerical Index	4

COLOR CODE CHART For parts and assemblies requiring a paint finish		
Multi-Color Code	Paint	Plastic
MK - Charcoal Gray	GF - Charcoal Gray, Textured HJ - Ivory, Smooth Vinyl	PE - Champagne PD - Ivory
The double asterisk (**) denotes a painted part. Suffix to be applied following the part number.		

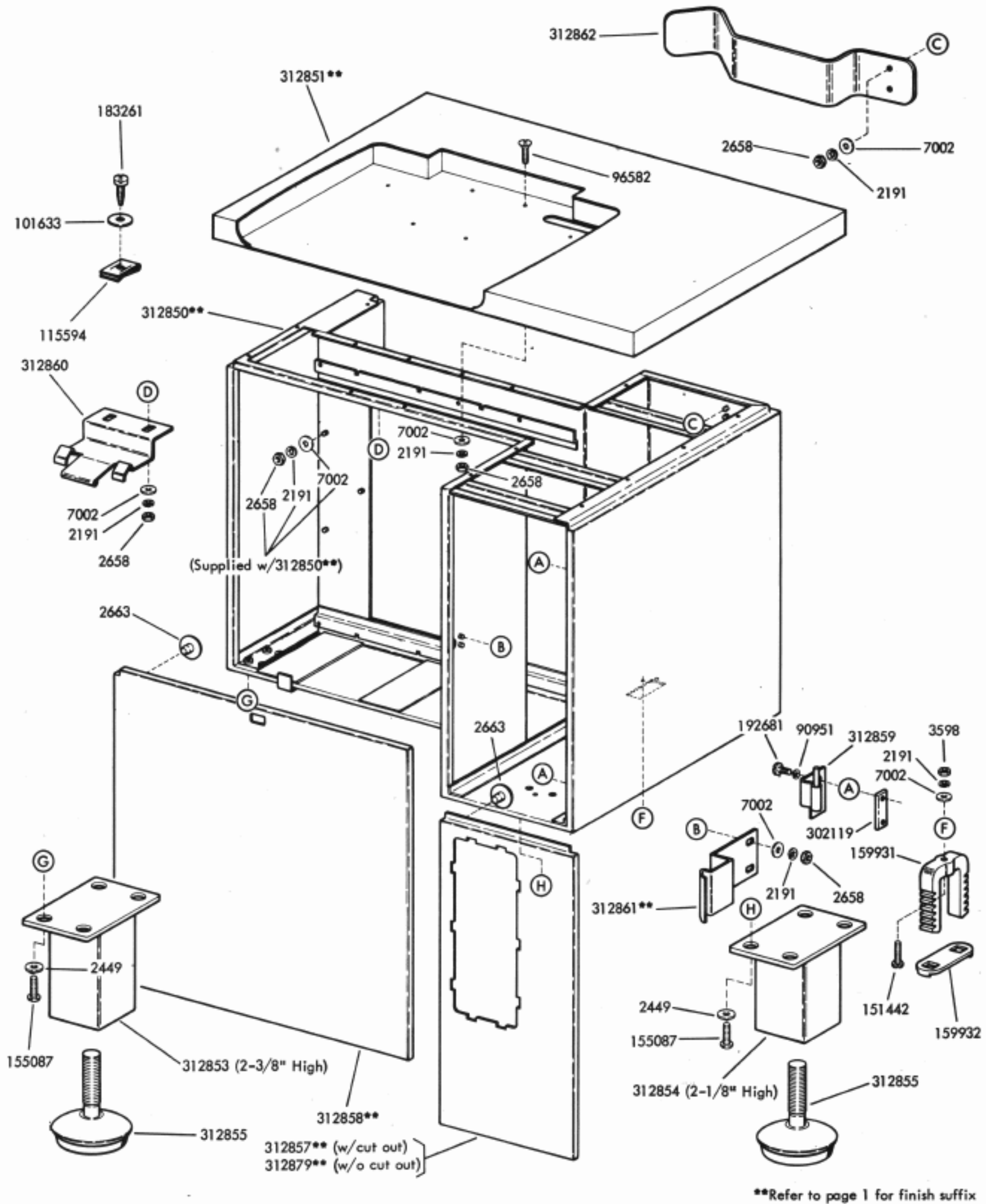
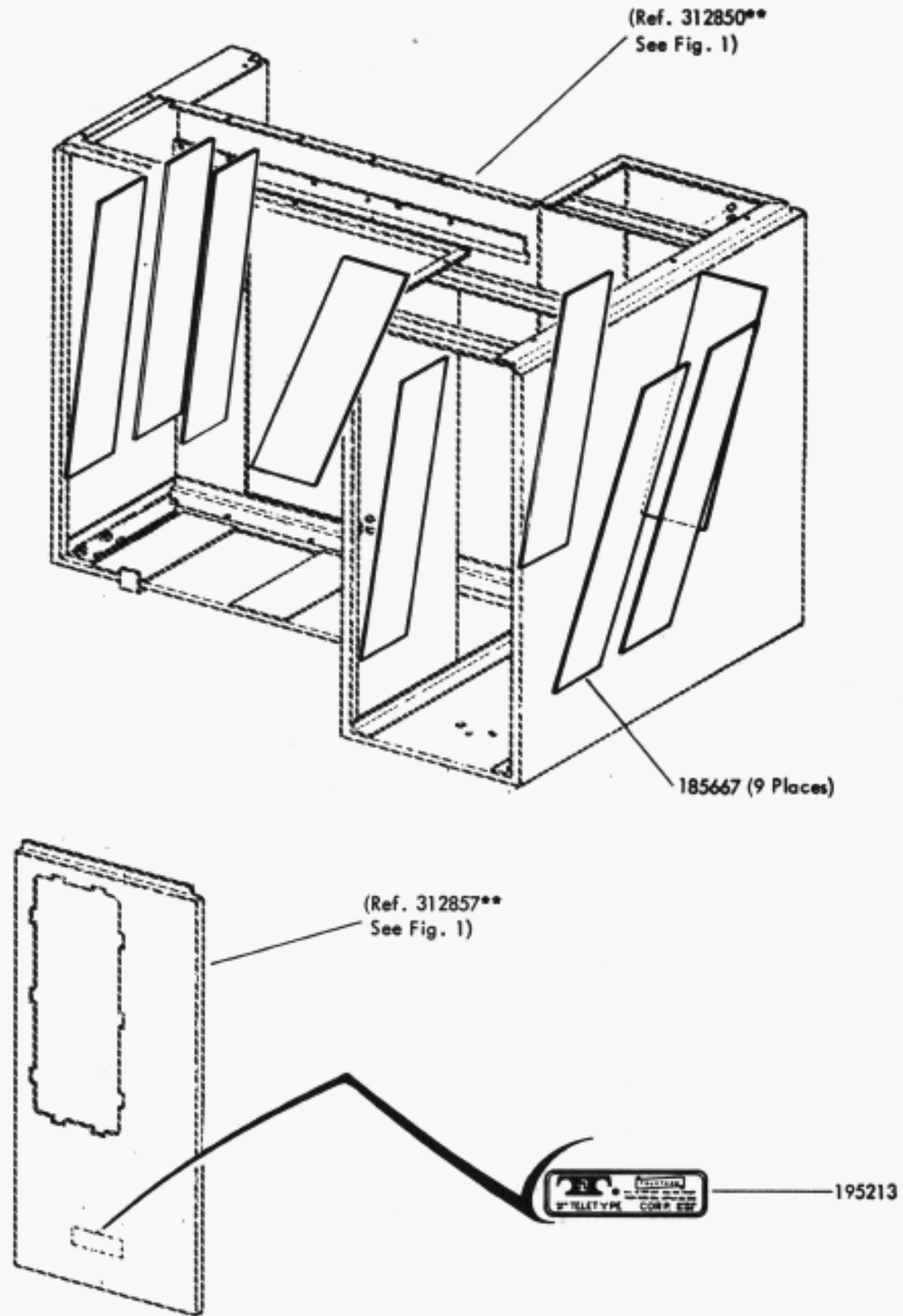


FIGURE 1. TABLE AND COMPONENTS



**Refer to page 1 for finish suffix

FIGURE 2. VIBRATION DAMPING STRIPS

NUMERICAL INDEX

Part Number	Description and Page Number	Part Number	Description and Page Number	Part Number	Description and Page Number
2191	Washer, Lock 2	151442	Screw, 6-40 x 1/2 Hex 2	312851**	Top, Table 2
2449	Washer, Lock 2	155087	Screw, 1/4-20 x 7/16 Rd 2	312853	Leg, Left 2
2658	Nut, 6-32 Hex 2	159931	Clamp 2	312854	Leg, Right 2
2663	Bumper, Rubber 2	159932	Keeper 2	312855	Foot, Mounting 2
3598	Nut, 6-40 Hex 2	183261	Screw, #8 Self-Tapping 2	312857**	Door, Right 2, 3
7002	Washer, Flat 2	185667	Strip, Damping 3	312858**	Door, Left 2
90951	Washer, Lock 2	192681	Screw, 4-40 Spl 2	312859	Hinge 2
96582	Screw, 6-32 x 3/8 Flat 2	195213	Plate, Identification 3	312860	Latch, Left 2
101633	Washer, Flat 2	302119	Plate, Nut 2	312861**	Latch, Right 2
115594	Nut, 8-32 Speed 2	312850**	Table 2, 3	312862	Clamp 2

**Refer to page 1 for finish suffix