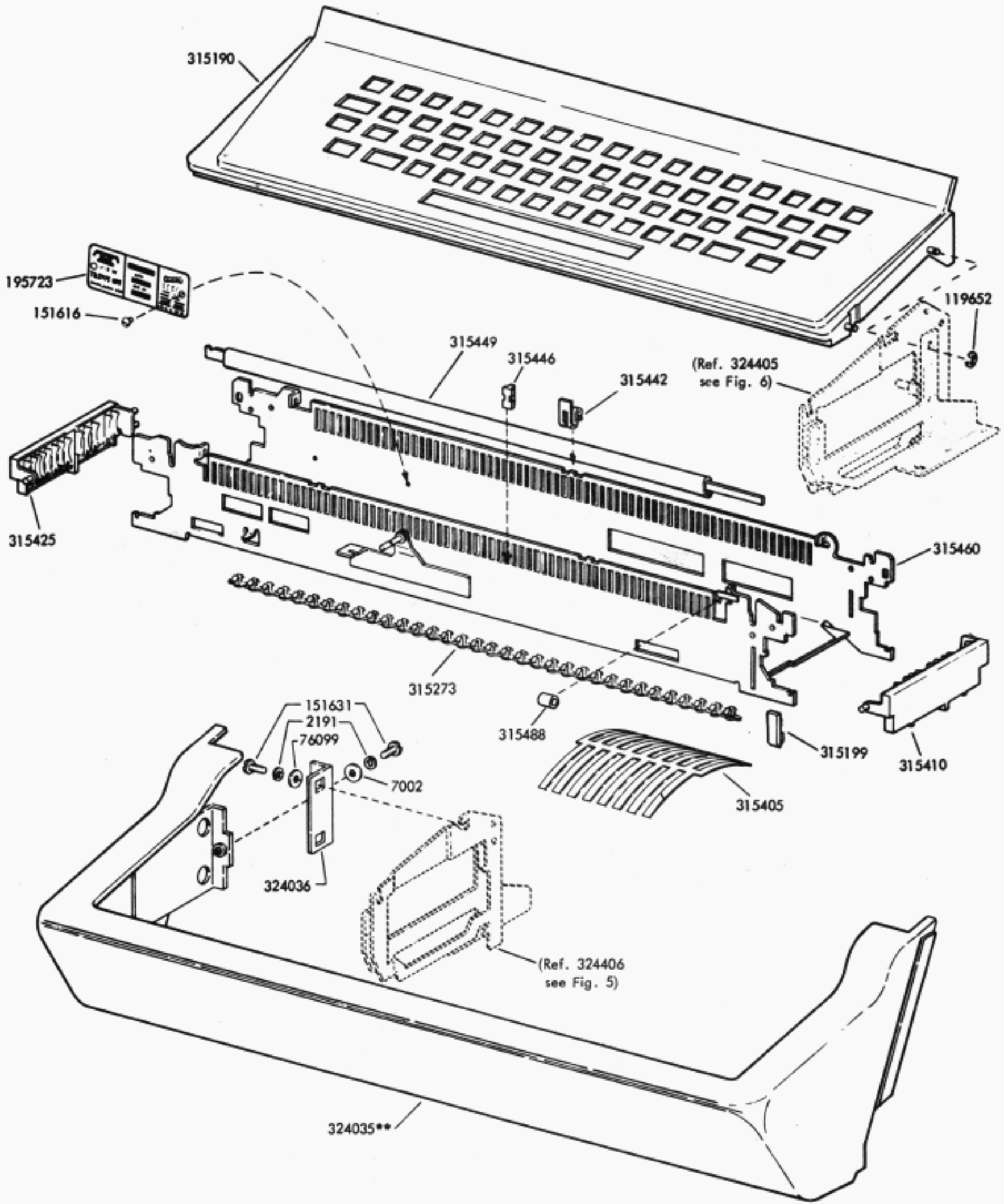


37-KEYBOARD (YK) AND BASE (YB)

PARTS

FIGURE	CONTENTS	PAGE
1	Housing and Cover	2
2	Universal Code Bar and Space Bar Mechanisms	3
3	"T" Levers - Left Side	4
4	"T" Levers - Right Side	5
5	Code Bar Contacts - Left Side	6
6	Code Bar Contacts - Right Side	7
7	Keytops	8
8	Keytops (Continued)	9
9	Keylevers	10
10	Code Bar Arrangement	11
11	Base	12
12	315100 Keyboard Reset Mechanism	13
13	315100 Keyboard Reset Mechanism (Continued)	14
14	315100 Keyboard Reset Mechanism (Continued)	15
15	306255 Intermediate Gear Assembly	16
16	312790** Control Panel Assembly	17
	Numerical Index	18

COLOR CODE CHART		
For parts and assemblies requiring a paint finish.		
Multi-Color Code	Paint	Plastic
MK - Charcoal Gray	GF - Charcoal Gray, Textured HJ - Ivory, Smooth Vinyl	PE - Champagne PD - Ivory
The double asterisk (**) denotes a painted part. Suffix to be applied following the part number.		



\*\*Refer to page 1 for finish suffix.

FIGURE 1. HOUSING AND COVER

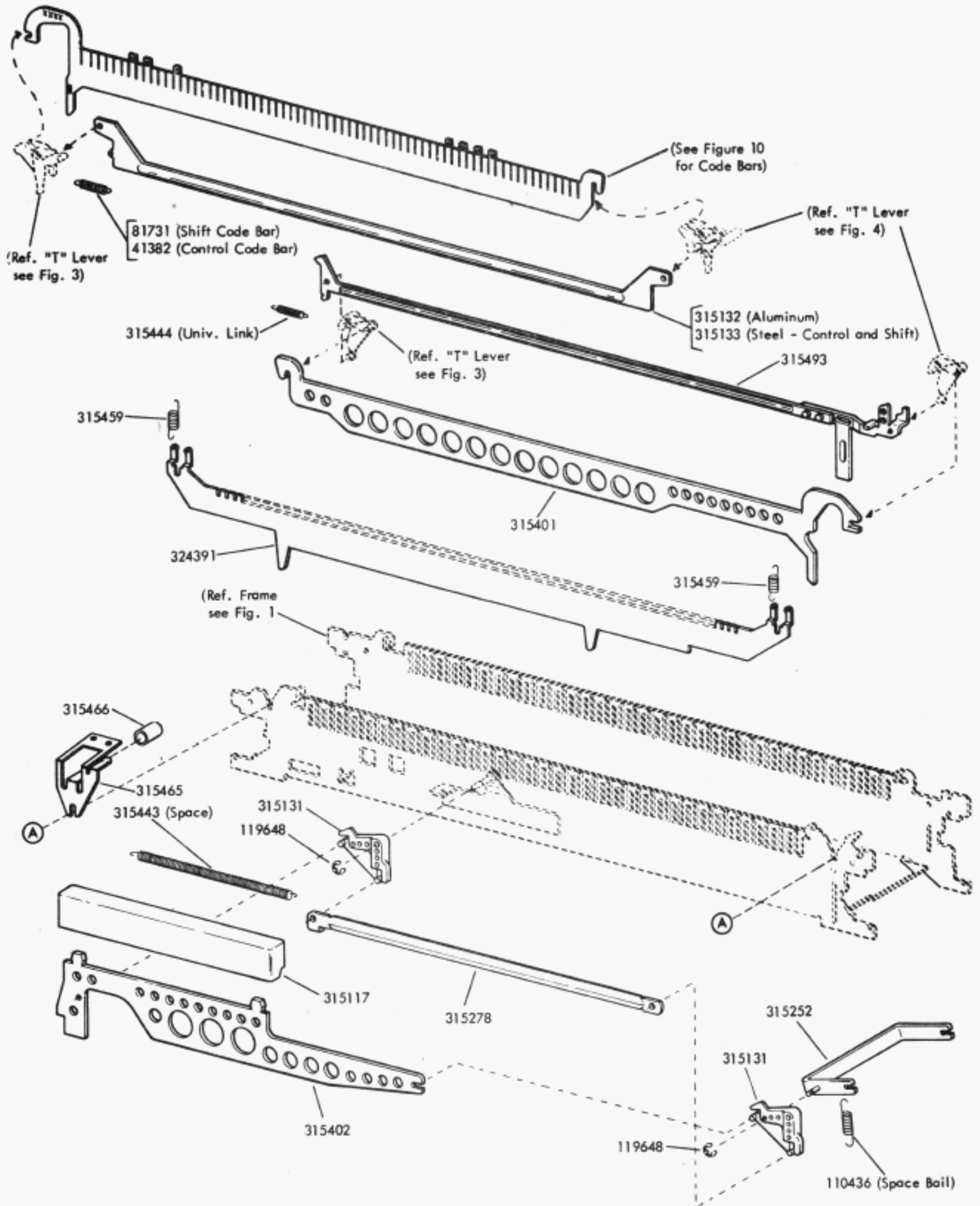


FIGURE 2. UNIVERSAL CODE BAR AND SPACE BAR MECHANISMS

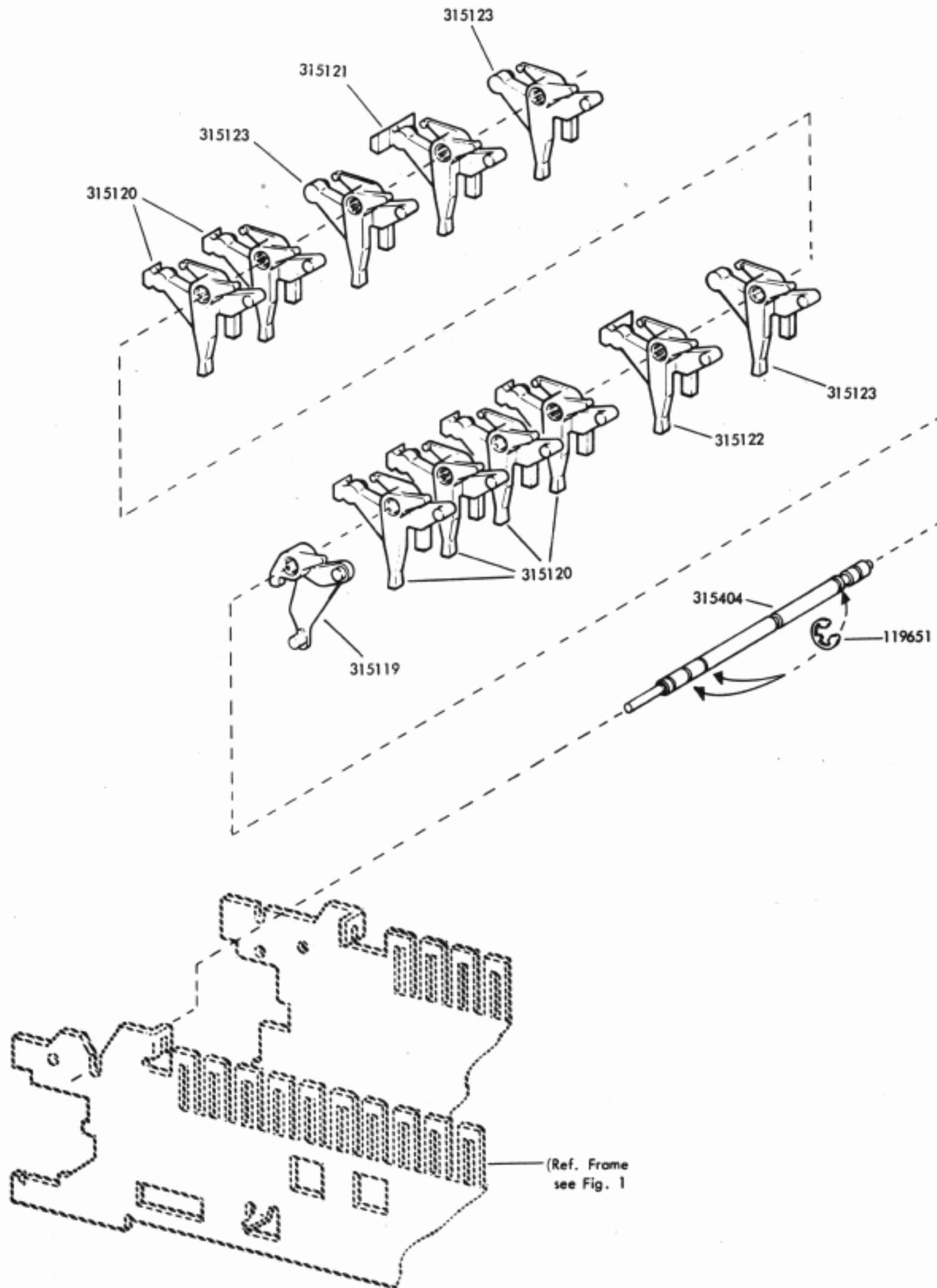
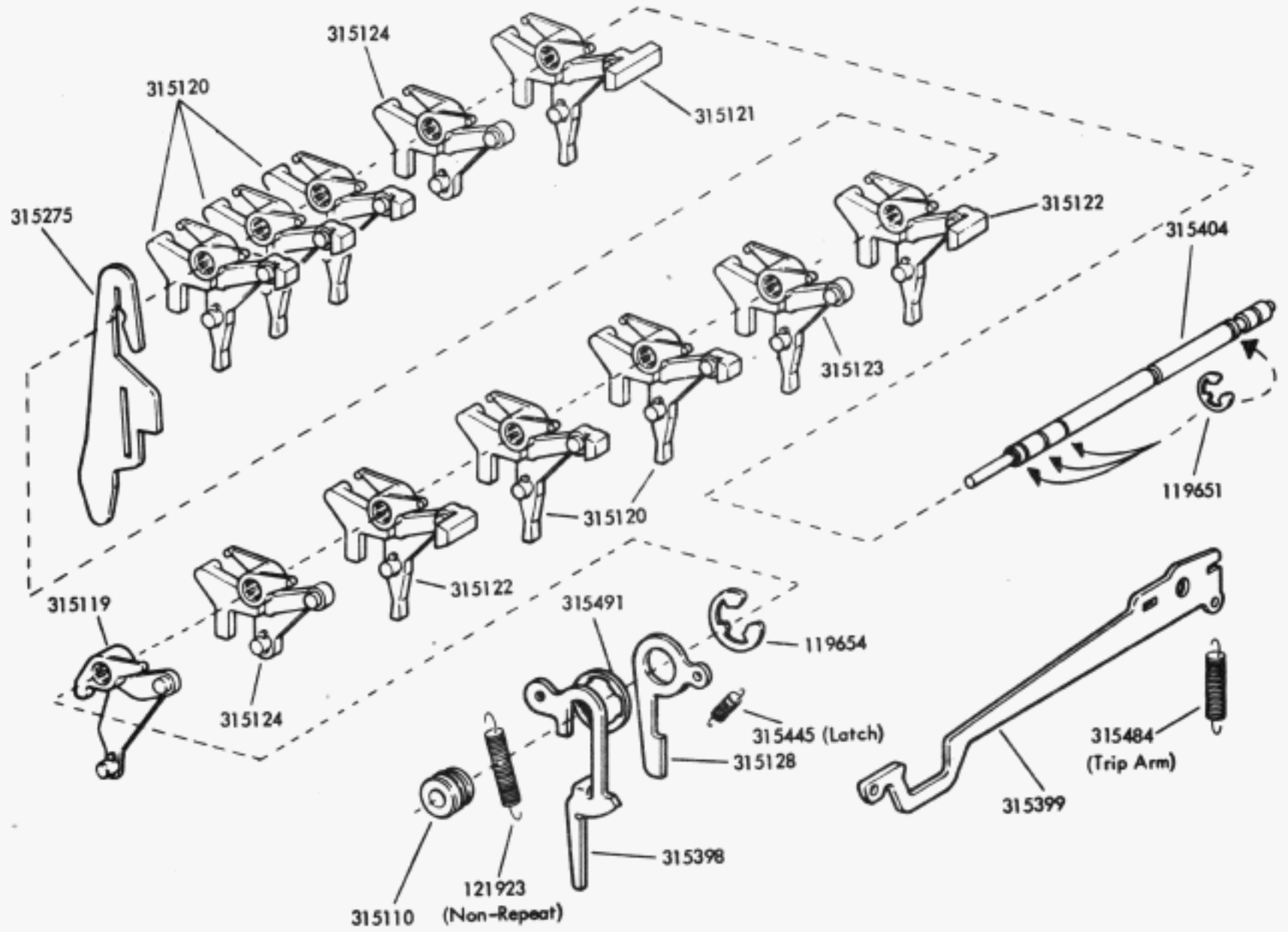


FIGURE 3. "T" LEVERS - LEFT SIDE



(Ref. Frame  
see Fig. 1)

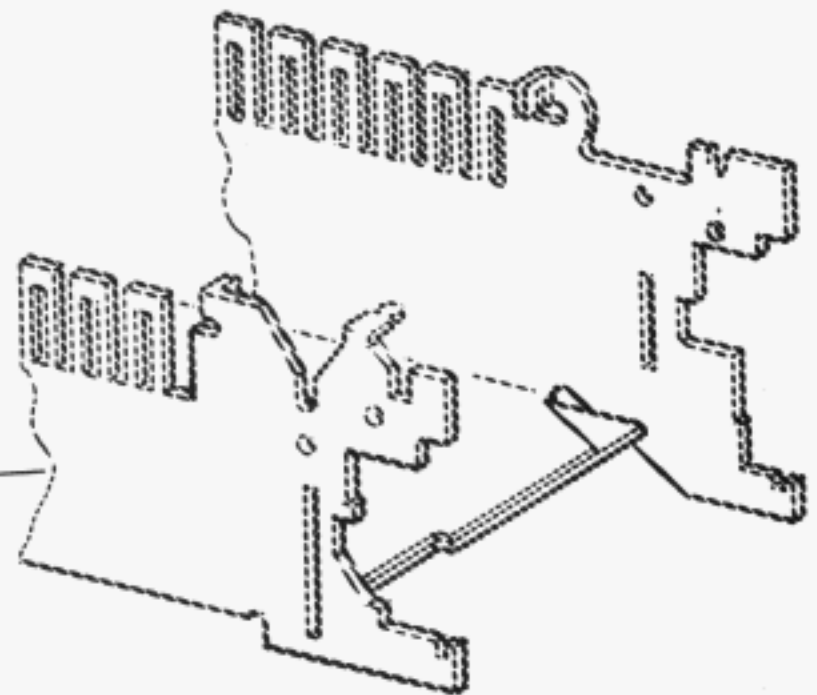
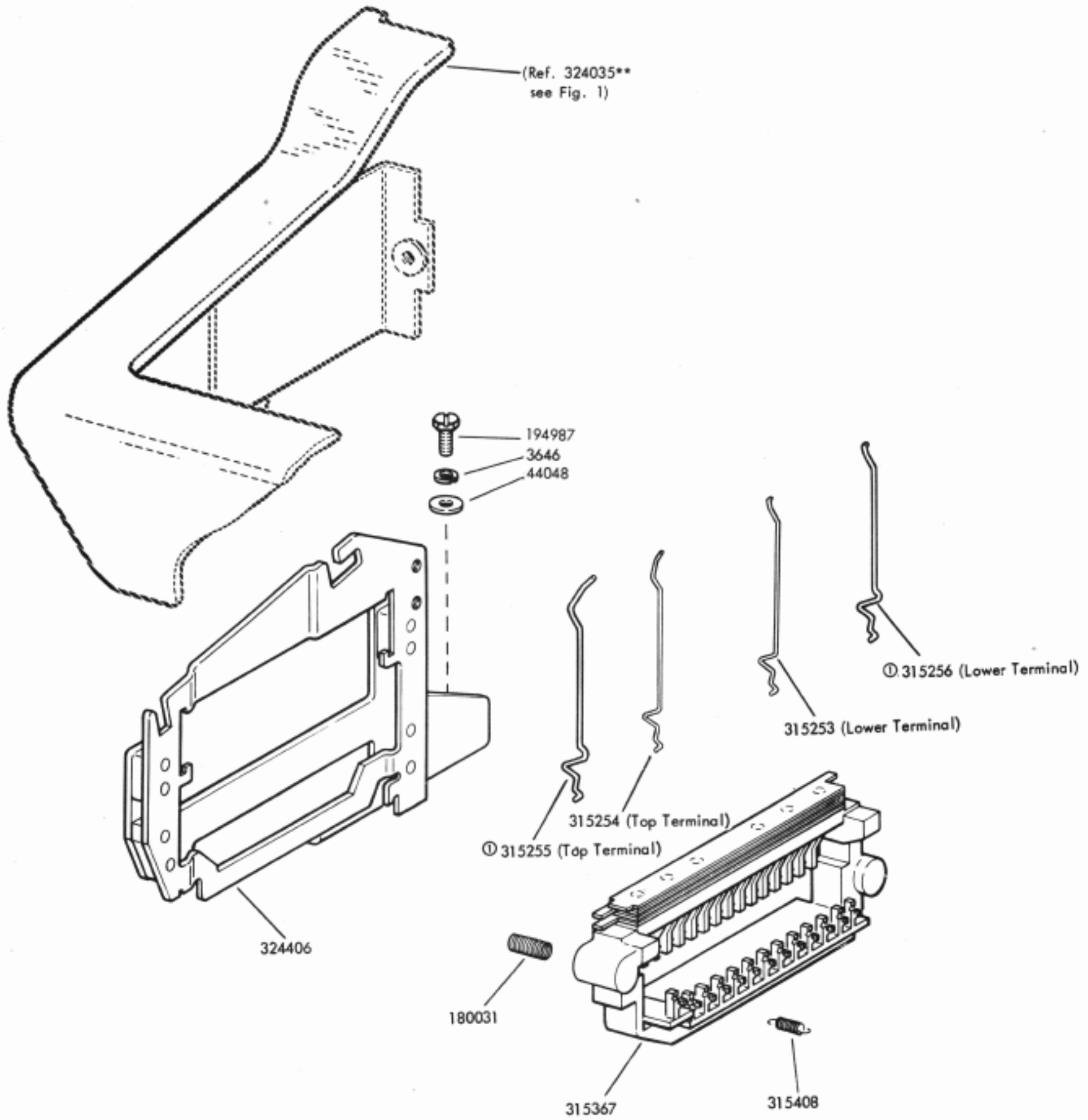


FIGURE 4. "T" LEVERS - RIGHT SIDE



Ⓞ Shift and Control Contacts  
\*\*Refer to page 1 for finish suffix.

FIGURE 5. CODE BAR CONTACTS - LEFT SIDE

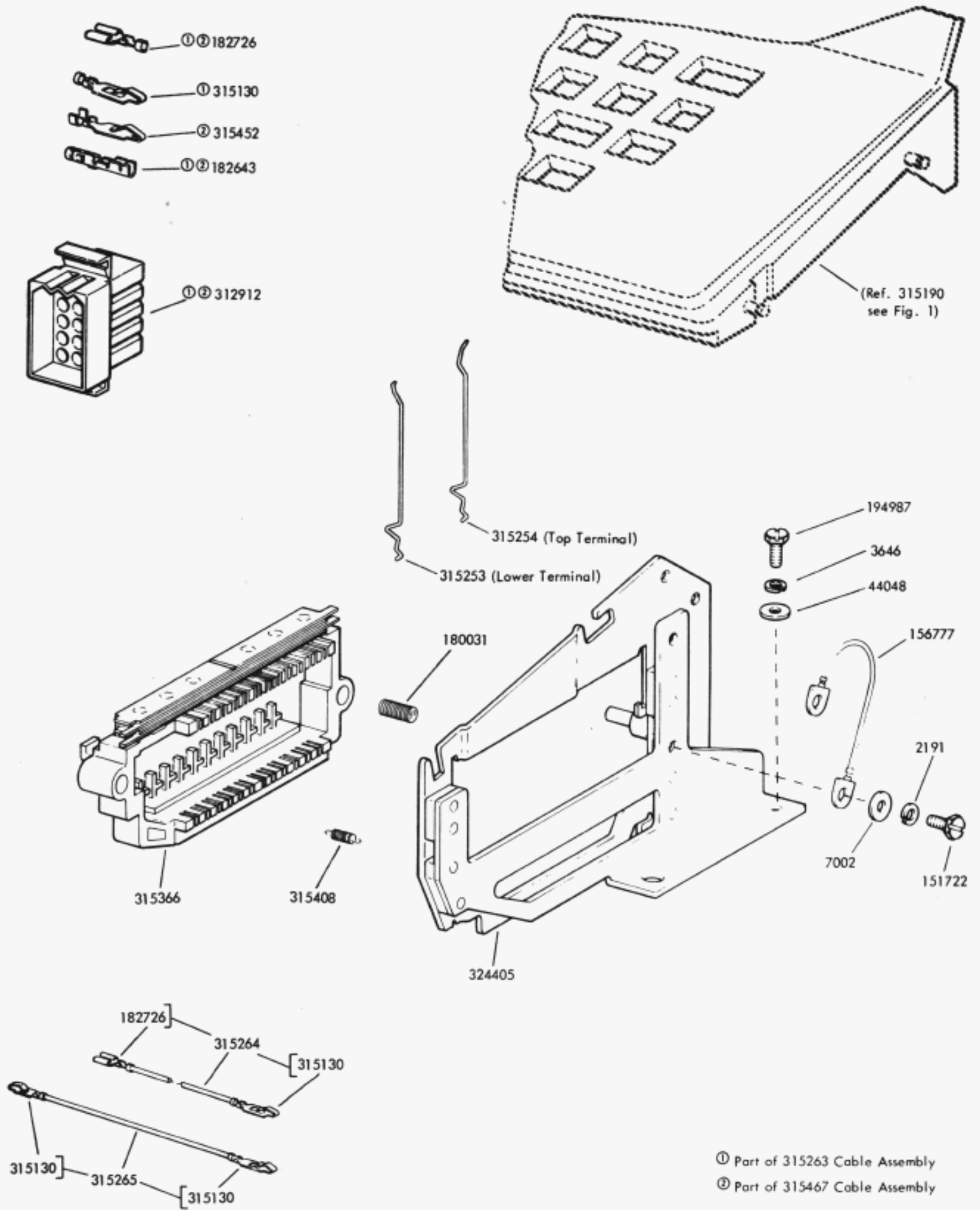
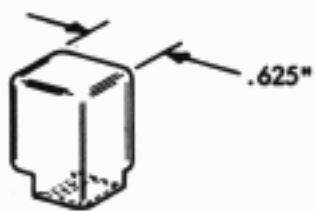
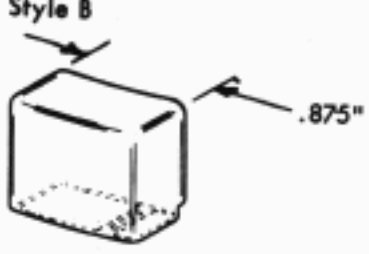
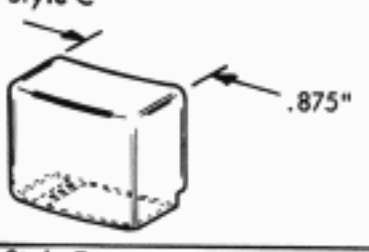
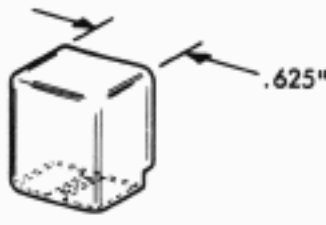
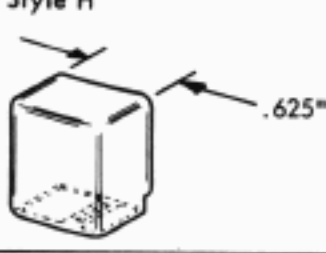
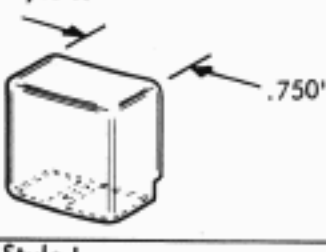
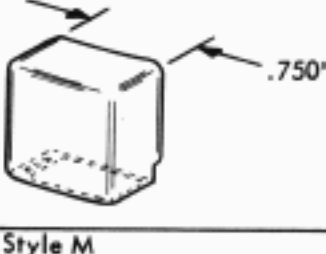
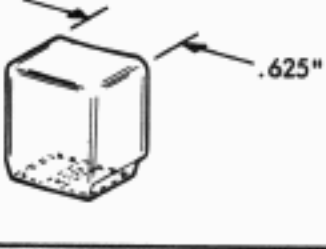


FIGURE 6. CODE BAR CONTACTS - RIGHT SIDE

Style A			Style G		
	314813	(No Character)	313056	1	
	314805	PREFIX	313001	1	I
	314814	(No Character)	① 313094	1	
	314806	TAB -	313057	2	"
	314838	TAB	313002	2	
	314815	(No Character)	① 313095	2	
	314807	~	313058	3	
	314836	SHIFT	313003	3	#
	314812	(No Character)	① 313096	3	
	314800	SHIFT LOCK	313059	4	\$
	314834	NULL	313004	4	
	314811	(No Character)	① 313097	4	
	314803	BACK SPACE	313060	5	%
			313005	5	
	314816	(No Character)	① 313098	5	
	314801	RETURN	313061	6	&
			313006	6	
	314810	(No Character)	① 313099	6	
	314802	NEW LINE	313062	7	'
			313007	7	
	314804	DELETE	① 313100	7	
	314808	SHIFT	313063	8	(
	314809	CONTRL	313008	8	)
		① 313101	8		
		313064	9		
		313009	9		
		① 313102	9		
		313049	0		
		① 313103	0		
		313020	A	SOH	
		313117	A		
		313033	B	STX	
		313126	B		
		313031	C	SP-6	
		313093	C	ETX	
		313124	C		
		313050	D	END	
		313022	D	EOT	
		313119	D		
		313051	E	WRU	
		313012	E	ENQRY	
		313110	E		
		313023	F	ACK	
		313120	F	SP-1	
		313087	F		
		313052	G	BELL	
		313024	G	SP-2	
		313088	G		
		313025	H	SP-3	
		313089	H		
		313017	I		
		313026	J		
		313053	K	TAB↓	
		313027	K	V TAB	
		313121	K	SP-4	
		313090	K		
		313054	L	PAGE	
		313028	L	SP-5	
		313091	L		
		313035	M		
		313055	N	RED	
		313034	N	SO	
		313127	N	BLACK	
		313018	O	SI	
		313115	O		
		313019	P	DLE	
		313116	P		
		313010	Q		

① Charcoal Gray Character

FIGURE 7. KEYPADS




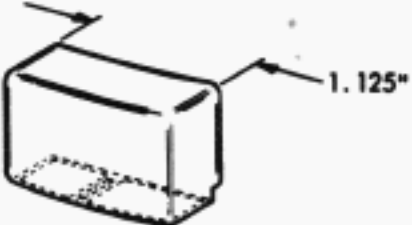
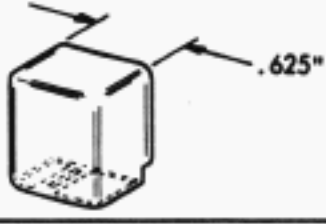
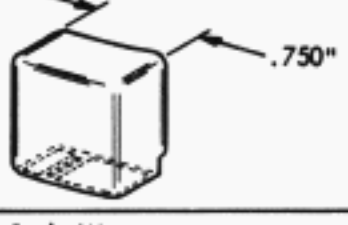
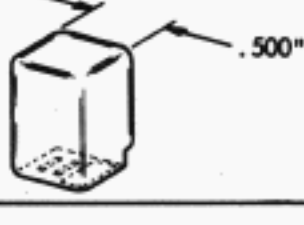
<p>Style S</p>  <p>.625"</p>	314835	CONTRL	313108	Q	DC1
<p>Style T</p>  <p>1.125"</p>	314837	LINE SPACE	313013	R	DC2
	314839	NEW LINE	313111	R	DC2
<p>Style U</p>  <p>.625"</p>	314840	SHIFT LOCK	313021	S	DC3
			313118	S	DC3
<p>Style V</p>  <p>.750"</p>	314841	RETURN	313014	T	DC4
			313112	T	DC4
<p>Style W</p>  <p>.500"</p>	314842	} GS	313016	U	NAK
	314843	] RS ^	313114	U	NAK
			313032	V	SP-7
			313092	V	SP-7
			313125	V	SYNC
			313011	W	ETB
			313109	W	ETB
			313030	X	CANCL
			313123	X	CANCL
			313015	Y	EM
			313113	Y	EM
			313029	Z	SUB
			313122	Z	SUB
			313065	(No Character)	
			313036	<	
			313037	>	
			313104	<	<
			313105	>	>
			313038	-	=
			313107	-	_US
			313039	~	
			313040	~	^
			313078	'	@
			313128	@	'
			313106	/	FS
			313042	*	:
			313086	*	:
			313043	[	<
			313044	]	>
			313045	+	;
			313046	.	.
			313082	.	.
			313047	?	/
			313080	?	/
			313048	,	,
			313083	,	,
			313079	\$	
			313081	'	
			313084	/	

FIGURE 8. KEYTOPS (Continued)

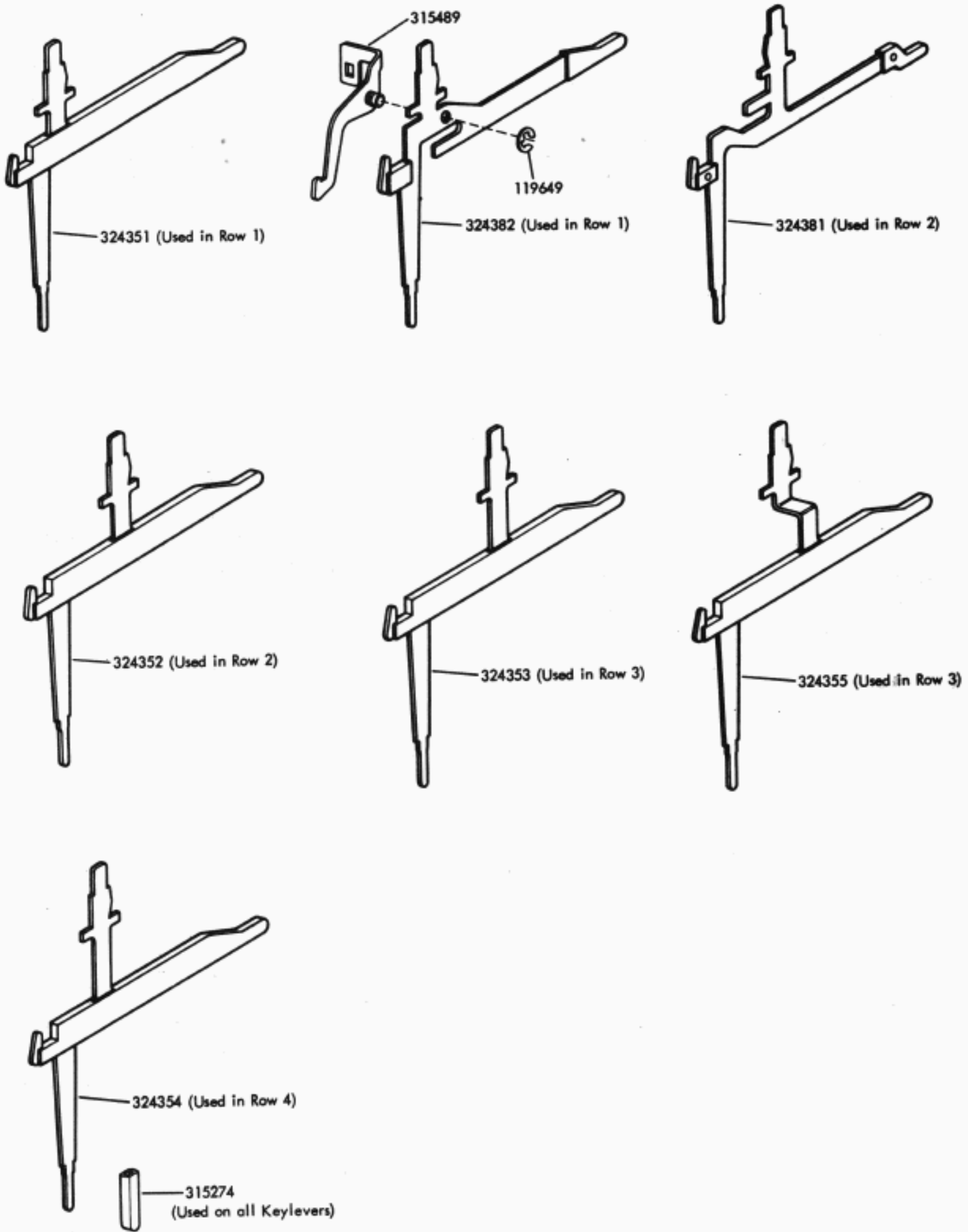
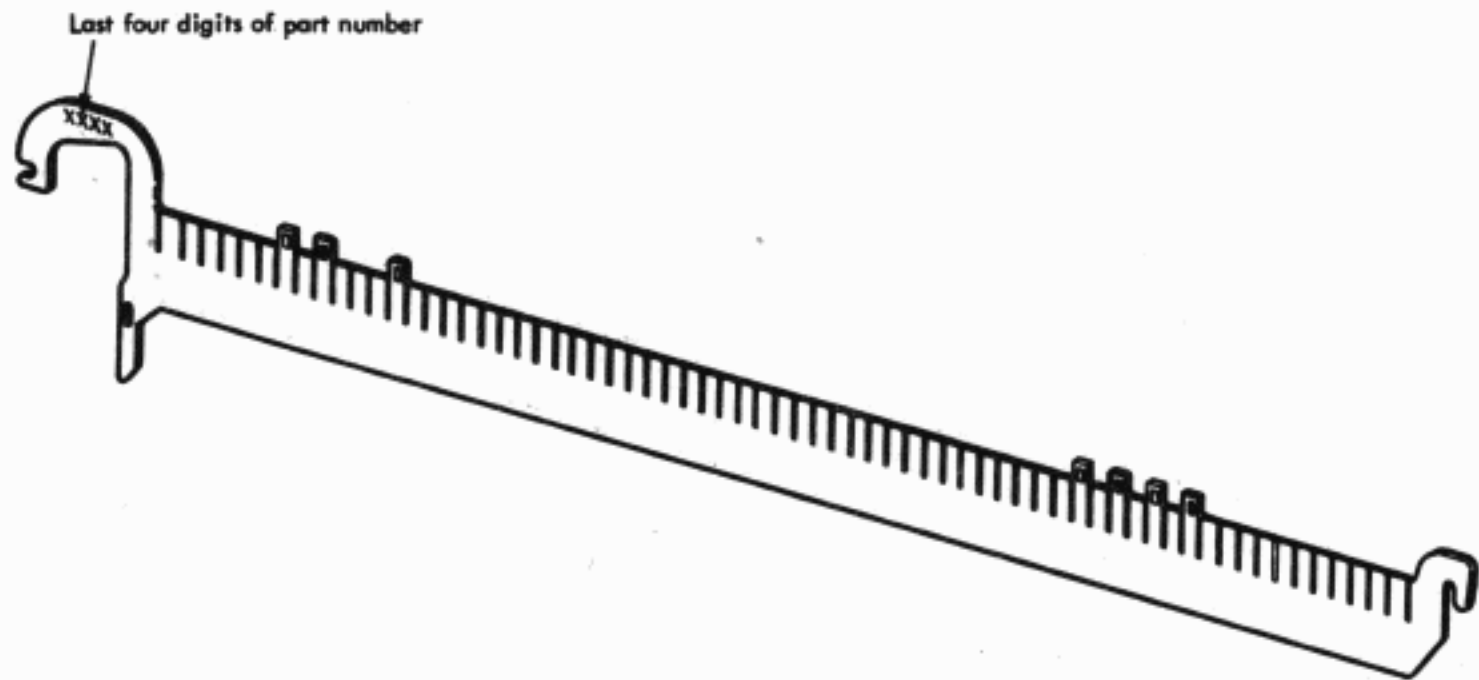


FIGURE 9. KEYLEVERS



ARRANGEMENT	CODE BAR POSITION																					
	CODE LEVEL DESIGNATION																					
	7	CONTROL				SHIFT INHIBIT		3	1	8	6	2	4	5	SHIFT							
1	2	3	4	5	6	7	8	9	10	11	12	13	14	15	16	17	18	19	20	21	22	
2	316056	316057	316058	316059	316060	316061	316062	316063	316064	316065	316066	316067	316068	316069	316070	316071	316072	316073	316074	316075	316076	316077

FIGURE 10. CODE BAR ARRANGEMENT

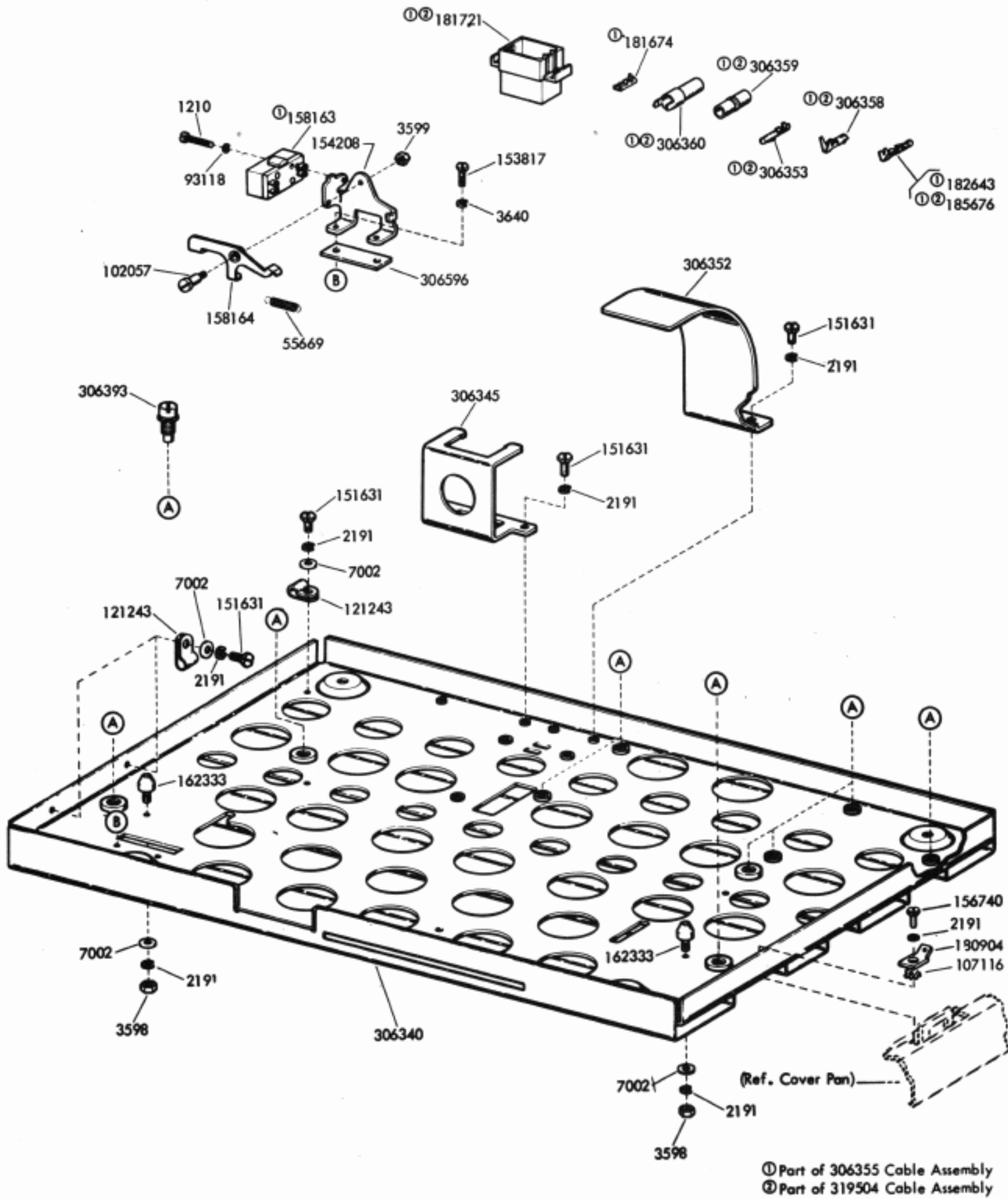


FIGURE 11. BASE

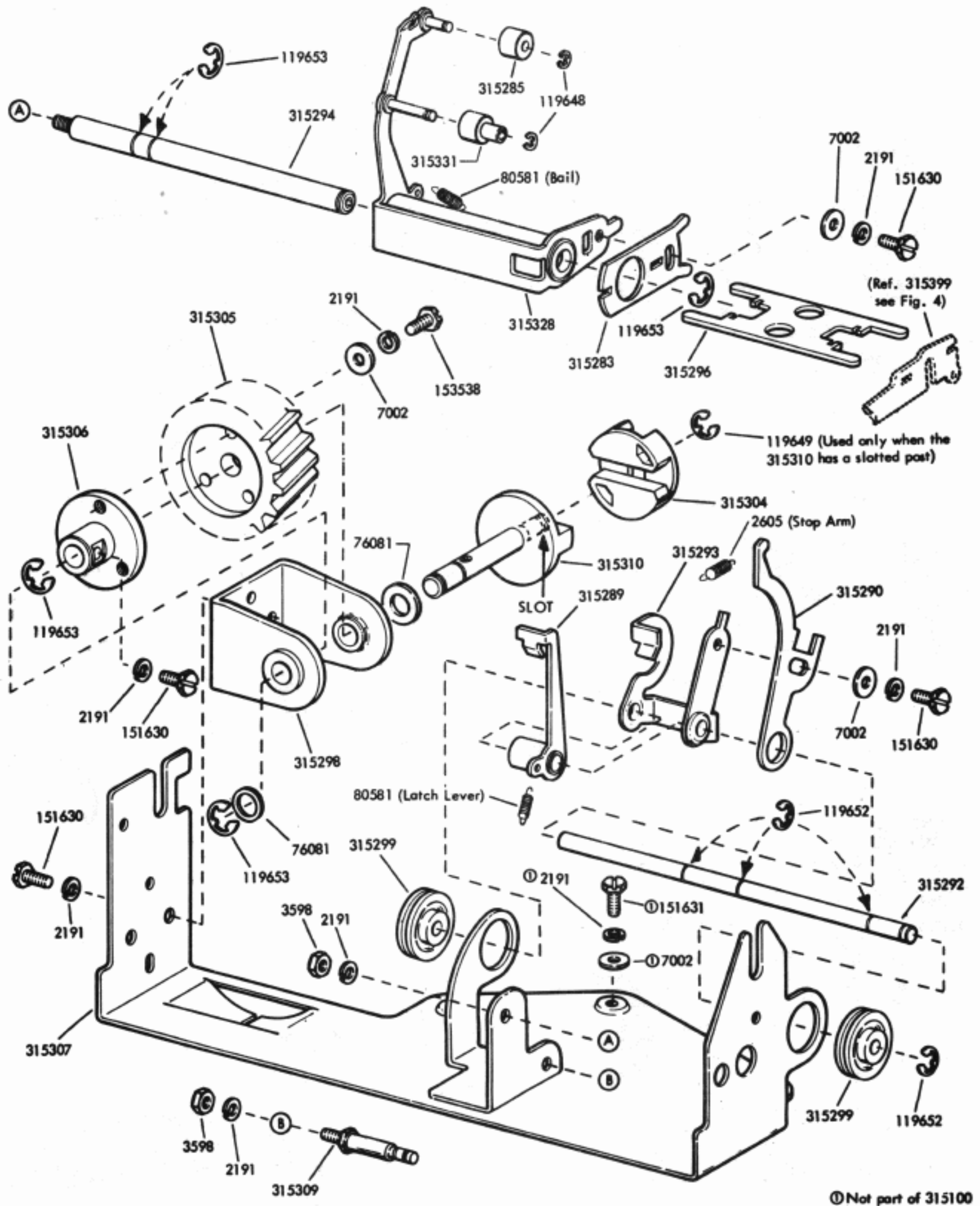


FIGURE 12. 315100 KEYBOARD RESET MECHANISM

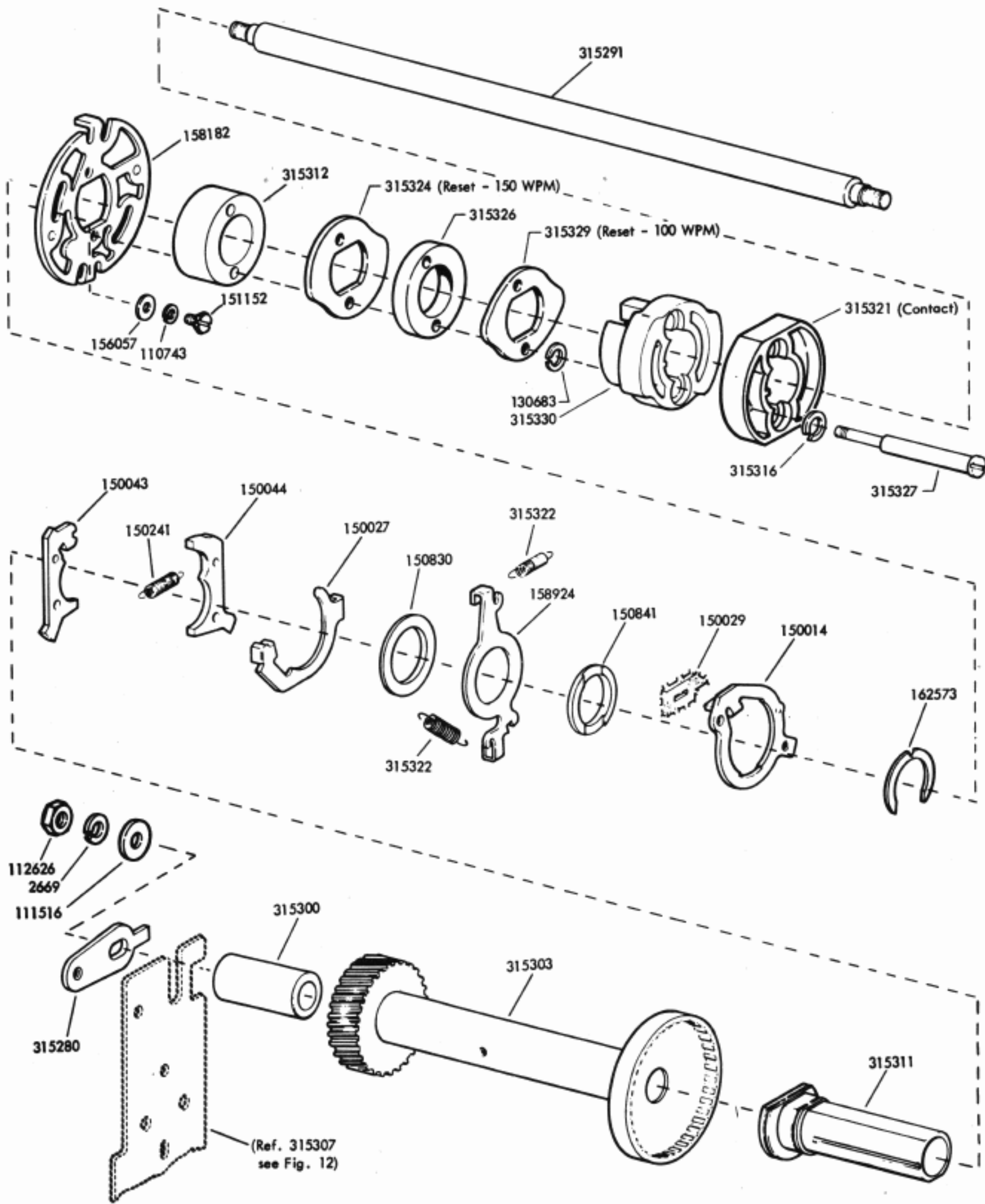


FIGURE 13. 315100 KEYBOARD RESET MECHANISM (Continued)

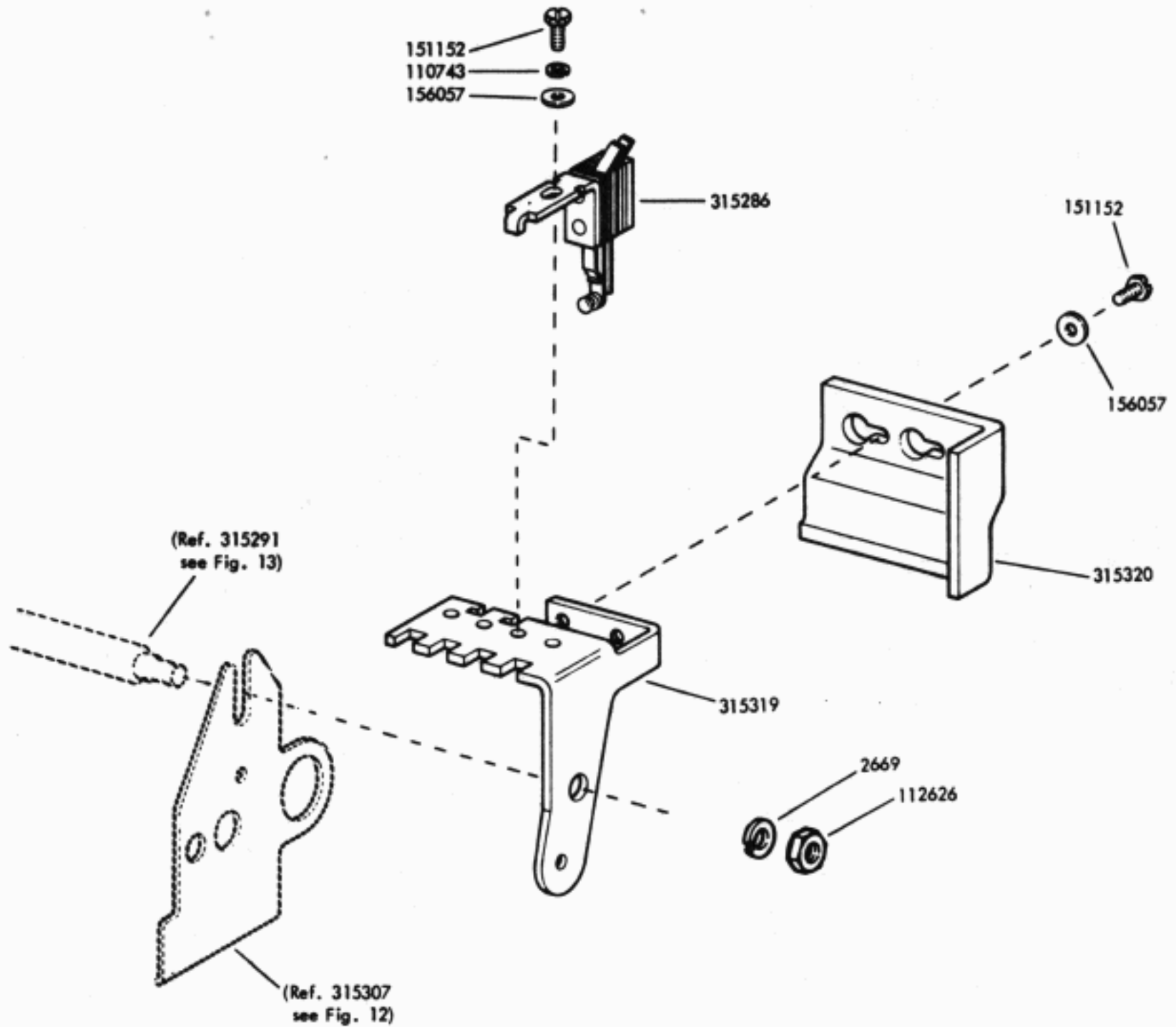
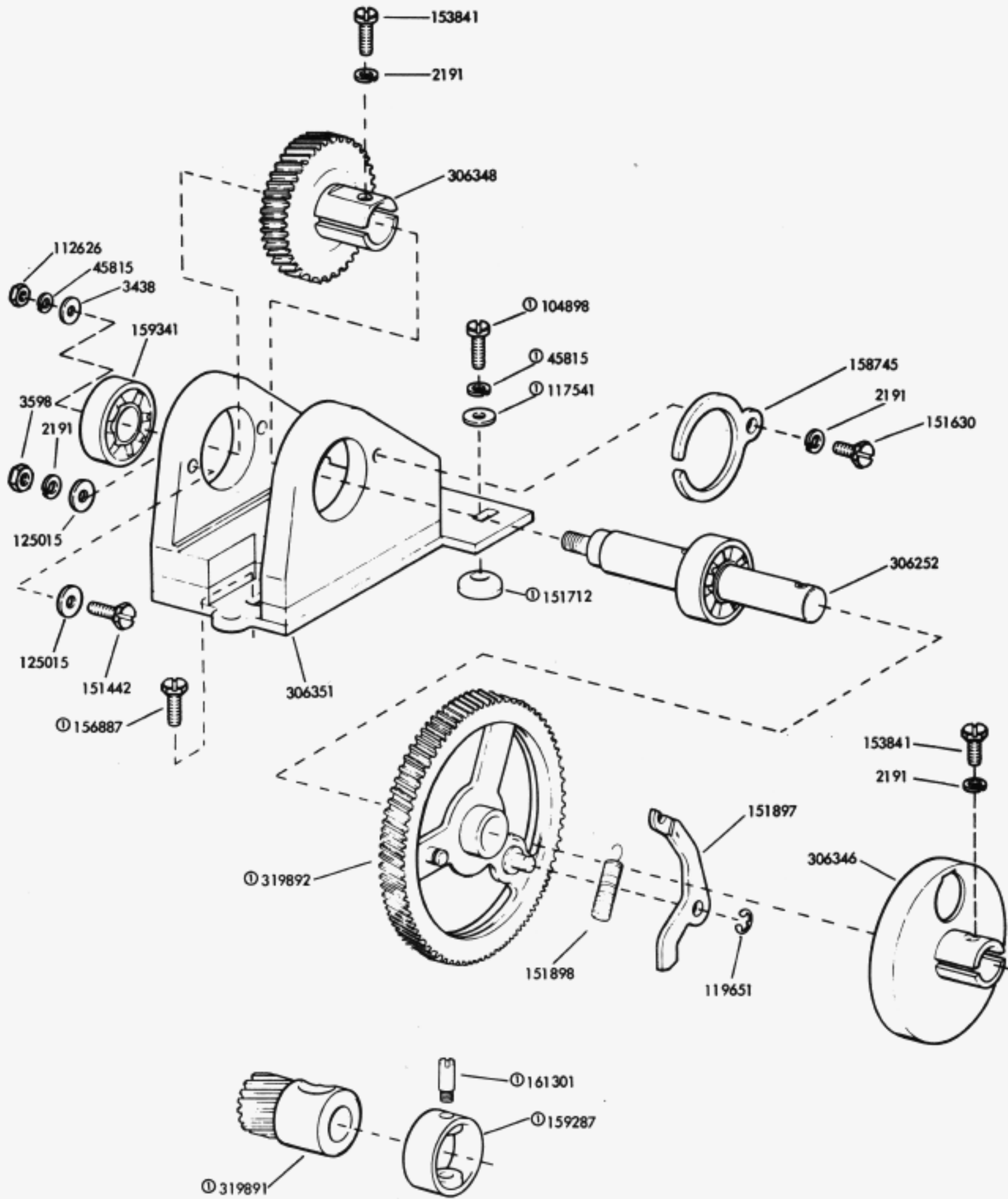


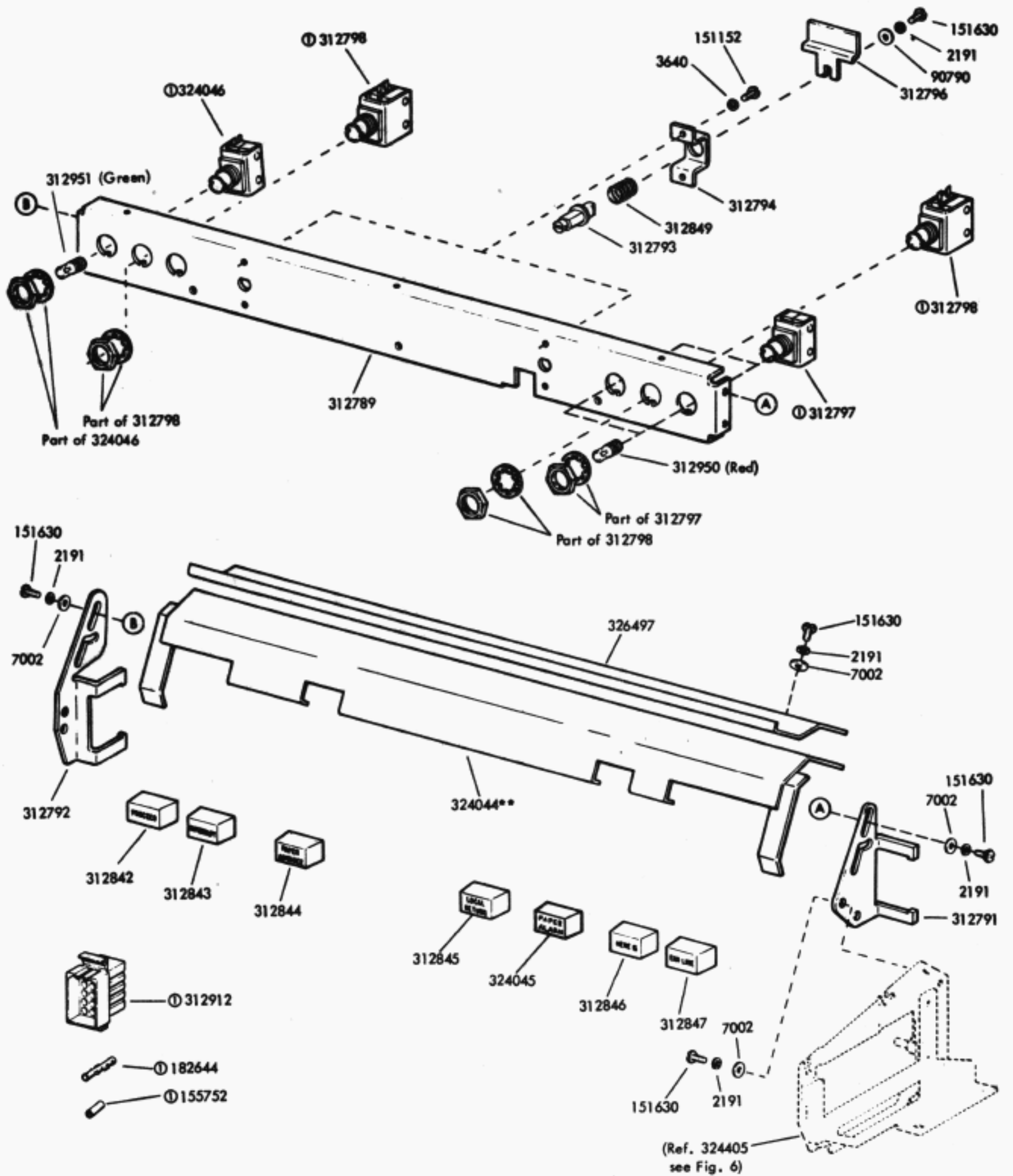
FIGURE 14. 315100 KEYBOARD RESET MECHANISM (Continued)



Ⓢ Not part of 306255

FIGURE 15. 306255 INTERMEDIATE GEAR ASSEMBLY





ⓐ Part of 312904 Cable  
 \*\*Refer to page 1 for finish suffix.

FIGURE 16. 312790\*\* CONTROL PANEL ASSEMBLY

## NUMERICAL INDEX

Part Number	Description and Page Number	Part Number	Description and Page Number	Part Number	Description and Page Number
1210	Screw, 2-56 x 5/8 Fil 12	156777	Jumper, 2" Black 7	313017	
2191	Washer, Lock 2, 7, 12, 13, 16, 17	156887	Screw, 10-32 x 9/16 Hex 16	thru	
2605	Spring 13	158163	Switch, Sensitive 12	313020	Keytop 8
2669	Washer, Lock 14, 15	158164	Lever w/Hub 12	313021	Keytop 9
3438	Washer, Flat 16	158182	Disk, Clutch Cam 14	313022	
3598	Nut, 6-40 Hex 12, 13, 16	158745	Clamp, Bearing 16	thru	
3599	Nut, 4-40 Hex 12	158924	Disk 14	313028	Keytop 8
3640	Washer, Lock 12, 17	159287	Retainer, Pinion 16	313029	Keytop 9
3646	Washer, Lock 6, 7	159341	Bearing, Ball 16	313030	Keytop 9
7002	Washer, Flat 2, 7, 12, 13, 17	161301	Post 16	313031	Keytop 8
41382	Spring 3	162333	Stud, Locating 12	313032	Keytop 9
44048	Washer, Flat 6, 7	162573	Retainer 14	313033	
45815	Washer, Lock 16	180031	Spring, Compression 6, 7	thru	
55669	Spring 12	180904	Tab, Terminal 12	313035	Keytop 8
76081	Washer, Flat 13	181674	Terminal, Tab Type 12	313036	
76099	Washer, Flat 2	181721	Connector, 12 Pt Plug Type 12	thru	
80581	Spring 13	182643	Terminal, Plug Type 7, 12	313040	Keytop 9
81731	Spring 3	182644	Terminal, Receptacle Type 17	313042	
90790	Washer, Flat 17	182726	Terminal, Receptacle Type 7	thru	
93118	Washer, Lock 12	185676	Terminal, Plug Type 12	313048	Keytop 9
102057	Screw, 4-40 Shoulder 12	194987	Screw, 8-32 x 3/8 Hex 6, 7	313049	
104898	Screw, 10-24 x 5/8 Fil 16	195723	Plate, Identification 2	thru	
107116	Washer, Lock 12	306252	Shaft 16	313064	Keytop 8
110436	Spring 3	306255	Gear Assembly, Intermediate 1, 16	313065	Keytop 9
110743	Washer, Lock 14, 15	306340	Base 12	313078	
111516	Washer, Flat 14	306345	Bracket, Connector 12	thru	
112626	Nut, 10-32 Hex 14, 15, 16	306346	Drum 16	313084	Keytop 9
117541	Washer, Flat 16	306348	Pinion, 42T 16	313086	Keytop 9
119648	Ring, Retaining 3, 13	306351	Plate, Bearing 16	313087	
119649	Ring, Retaining 10, 13	306352	Guard 12	thru	
119651	Ring, Retaining 4, 5, 16	306353	Terminal, Plug Type 12	313091	Keytop 8
119652	Ring, Retaining 2, 13	306355	Cable Assembly 12	313092	Keytop 9
119653	Ring, Retaining 13	306358	Terminal, Receptacle Type 12	313093	
119654	Ring, Retaining 5	306359	Housing, Pin 12	thru	
121243	Clamp, 3/16 ID Cable 12	306360	Housing, Socket 12	313103	Keytop 8
121923	Spring 5	306393	Screw w/Lockwasher, 1/4-20 x 33/64 12	313104	
125015	Washer, Flat 16	306596	Spacer 12	thru	
130683	Washer, Lock 14	312789	Bracket, Mounting 17	313109	Keytop 9
150014	Disk, Adjusting 14	312790**	Panel Assembly, Control 1, 17	313110	Keytop 8
150027	Lever, Shoe Release 14	312791	Bracket, Right Connector 17	313111	
150029	Wick, Felt 14	312792	Bracket, Left Connector 17	thru	
150043	Shoe, Secondary Clutch 14	312793	Shaft 17	313114	Keytop 9
150044	Shoe, Primary Clutch 14	312794	Bracket 17	313115	
150241	Spring 14	312796	Lever, Actuating 17	thru	
150830	Bushing, Shoulder 14	312797	Light, Indicator 17	313117	Keytop 8
150841	Bearing 14	312798	Switch 17	313118	Keytop 9
151152	Screw, 4-40 x 3/16 Hex 14, 15, 17	312842	Cap, Identification 17	313119	
151442	Screw, 6-40 x 1/2 Hex 16	312843	Cap, Identification 17	thru	
151616	Screw, #2 Self-Tapping 2	312844	Cap, Identification 17	313121	Keytop 8
151630	Screw, 6-40 x 1/4 Hex 13, 16, 17	312845	Cap, Identification 17	313122	Keytop 9
151631	Screw, 6-40 x 5/16 Hex 2, 12, 13	312846	Cap, Identification 17	313123	Keytop 9
151712	Button, Pivot 16	312847	Cap, Identification 17	313124	Keytop 8
151722	Screw, 6-40 x 3/16 Hex 7	312849	Spring, Compression 17	313125	Keytop 9
151897	Lever 16	312904	Cable Assembly 17	313126	Keytop 8
151898	Spring 16	312912	Connector, 15 Pt Plug Type 7, 17	313127	Keytop 8
153538	Screw, 6-40 x 7/16 Hex 13	312950	Lamp, Red Miniature 17	313128	Keytop 9
153817	Screw, 4-40 x 3/8 Hex 12	312951	Lamp, Green Miniature 17	314800	
153841	Screw, 6-40 x 9/16 Hex 16	313001		thru	
154208	Bracket, Switch 12	thru		314816	Keytop 8
155752	Sleeve, 5/64 ID x 1/2" Lg Insulating 17	313010	Keytop 8	314834	Keytop 8
156057	Washer, Flat 14, 15	313011	Keytop 9	314835	Keytop 9
156740	Screw, 6-40 x 7/32 Hex 12	313012	Keytop 8	314836	Keytop 8
		313013		314837	Keytop 9
		thru		314838	Keytop 8
		313016	Keytop 9	314839	
				thru	
				314843	Keytop 9

\*\*Refer to page 1 for finish suffix

## NUMERICAL INDEX (Continued)

Part Number	Description and Page Number	Part Number	Description and Page Number	Part Number	Description and Page Number
315100	Reset Mechanism, Keyboard 1, 13, 14, 15	315294	Shaft 13	315443	Spring 3
315110	Bushing 5	315296	Plate 13	315444	Spring 3
315117	Bar, Space 3	315298	Bracket w/Bearing 13	315445	Spring 5
315119	Lever, Universal 4, 5	315299	Grommet 13	315446	Clip 2
315120	Lever, T 4, 5	315300	Spacer 14	315449	Upstop w/Sleeve 2
315121	Lever, T 4, 5	315303	Sleeve, Gear 14	315452	Terminal, Pivot 7
315122	Lever, T 4, 5	315304	Disk 13	315459	Spring 3
315123	Lever, T 4, 5	315305	Gear, 19T 13	315460	Frame 2
315124	Lever, T 5	315306	Hub 13	315465	Bracket, Spring 3
315128	Lever, Latch 5	315307	Frame 13, 14, 15	315466	Buffer 3
315130	Terminal, Pivot 7	315309	Post, Spring 13	315467	Cable Assembly 7
315131	Lever, L 3	315310	Shaft 13	315484	Spring 5
315132	Link, Tie 3	315311	Sleeve 14	315488	Buffer 2
315133	Link, Tie 3	315312	Ring, Retaining 14	315489	Latch w/Stud 10
315190	Cover, Keyboard 2, 7	315316	Washer, Spring 14	315491	Washer, Spl 5
315199	Buffer 2	315319	Bracket, Contact 15	315493	Link, Universal 3
315252	Bail, Space 3	315320	Cover, Contact 15	316056	
315253	Wire, Contact 6, 7	315321	Cam 14	thru	
315254	Wire, Contact 6, 7	315322	Spring 14	316077	Bar, Code 11
315255	Wire, Contact 6	315324	Cam 14	319504	Cable Assembly 12
315256	Wire, Contact 6	315326	Spacer, .071" Thk 14	319891	Pinion, 25T 16
315263	Cable Assembly 7	315327	Screw, 4-40 Shoulder 14	319892	Gear, 90T 16
315264	Strap 7	315328	Bail w/Hub 13	324035**	Housing, Keyboard 2, 6
315265	Strap 7	315329	Cam 14	324036	Bracket, Mounting 2
315273	Bushing 2	315330	Cam 14	324044**	Bracket, Cover 17
315274	Sleeve 10	315331	Roller 13	324045	Cap, Identification 17
315275	Guide, Trip Arm 5	315366	Block, Contact 7	324046	Switch, Pushbutton 17
315278	Link, Space 3	315367	Block, Contact 6	324351	Keylever 10
315280	Plate 14	315398	Lever, Non-Repeat 5	324352	Keylever 10
315283	Plate 13	315399	Arm, Trip 5, 13	324353	Keylever 10
315285	Roller 13	315401	Bar, Universal 3	324354	Keylever 10
315286	Contact 15	315402	Keylever 3	324355	Keylever 10
315289	Lever, Latch 13	315404	Shaft 4, 5	324381	Keylever 10
315290	Arm 13	315405	Spring, Flat 2	324382	Keylever 10
315291	Shaft 14, 15	315408	Spring 6, 7	324391	Bar, Downstop 3
315292	Shaft 13	315410	Guide, Right 2	324405	Frame, Right Keyboard 2, 7, 17
315293	Arm, Stop 13	315425	Guide, Left 2	324406	Frame, Left Keyboard 2, 6
		315442	Clip 2	326497	Plate, Guard 17

\*\*Refer to page 1 for finish suffix