

37 TYPING UNIT (YP)

PARTS

FIGURE	CONTENTS	PAGE	FIGURE	CONTENTS	PAGE
1	Right Side Frame	2	25	Spacer Suppression Mechanism	26
2	Left Side Frame	3	26	Pressure Roller Mechanism	27
3	Front Plate Mechanism	4	27	Line Feed and Platen Mechanism	28
4	Front Plate Mechanism (Continued)	5	28	Paper Spindle and Reset Bail Mechanism	29
5	Print Hammer Carriage Mechanism	6	29	Stunt Box Components	30
6	Print Hammer Mechanism	7	30	Shift Fork Mechanism	31
7	Aggregate Motion Linkage	8	31	Function Bars	31
8	Aggregate Motion Linkage (Continued)	9	32	Function Lever, Pawls and Latches	32
9	Aggregate Motion Linkage (Continued)	10	33	Right Ribbon Feed Mechanism for Two Color Printing	33
10	Aggregate Motion Linkage (Continued)	11	34	Left Ribbon Feed Mechanism for Two Color Printing	34
11	Vertical Positioning and Retraction	12	35	Vertical Tabulation with Form Feed-out	35
12	Vertical Positioning and Retraction (Continued)	13	36	306316 Modification Kit to Provide On Line Backspace	36
13	Code Bar Mechanism	14	37	306406 Modification Kit to Add Vertical Tabulator Transmitter Control	36
14	Type Box Carriage Mechanism	15	38	306566 Modification Kit to Equip Friction Feed Printer with a Paper- out Alarm.	
15	319885 Type Box Arrangement "AYD"	16	39	306402 Modification Kit to Provide Horizontal Tabulator Transmitter Control for Printer	37
16	Main Shaft	17	40	306401 Modification Kit to Add Horizontal Tabulator (12 Spaces)	38
17	Main Shaft Clutches	18		Numerical Index	39
18	Main Shaft Clutches (Continued)	19			
19	Trip Shaft Mechanism	20			
20	Clutch Trip Bracket Mechanism	21			
21	Carriage Return and Spacing Drum Mechanism	22			
22	Selector Mechanism	23			
23	Selector Magnet Mechanism	24			
24	Code Bar Selector Mechanism	25			

Prepared for American Telephone and Telegraph Company by Teletype Corporation.

© 1966 by Teletype Corporation.

All rights reserved.

Printed in U.S.A.

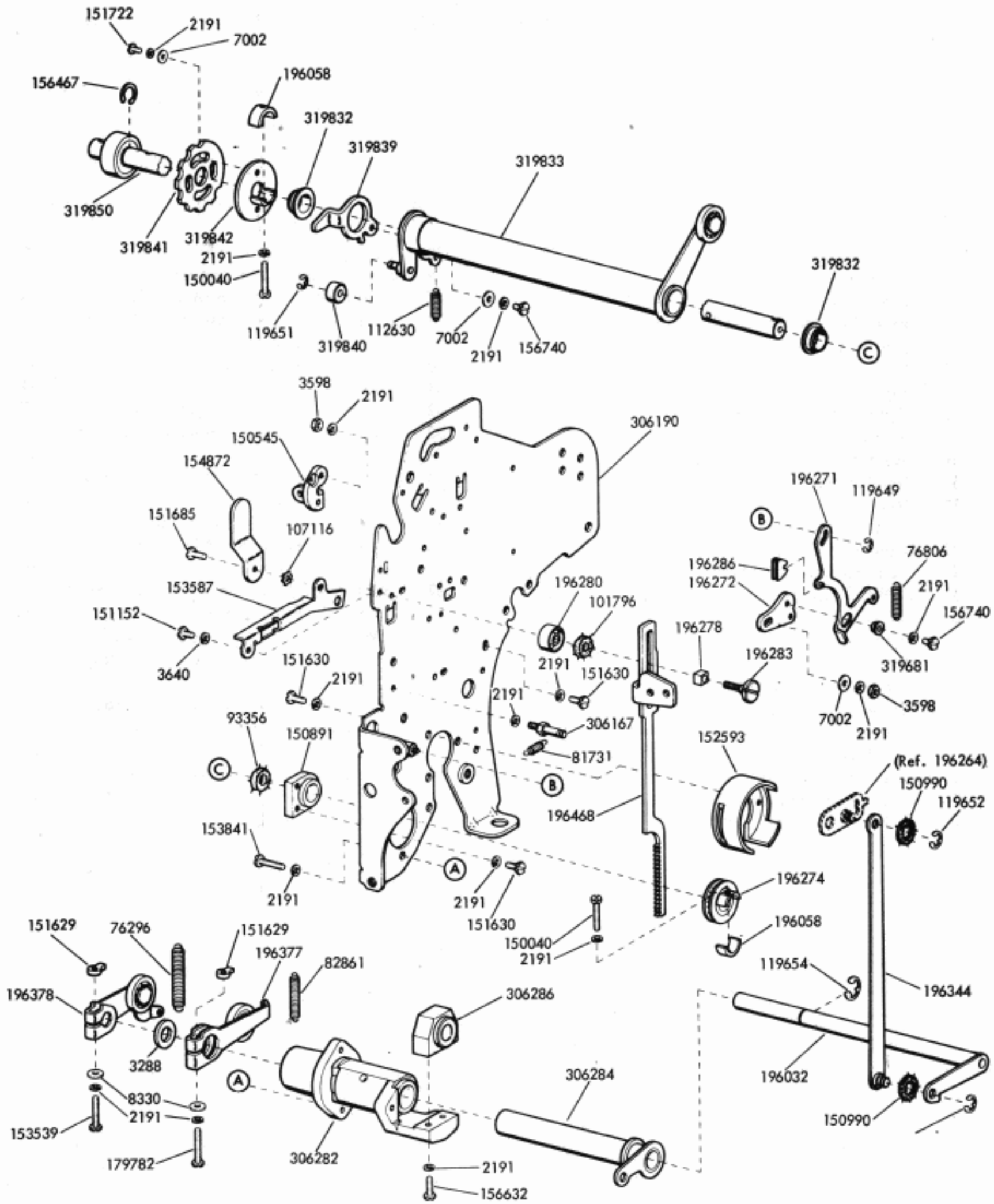


FIGURE 1. RIGHT SIDE FRAME

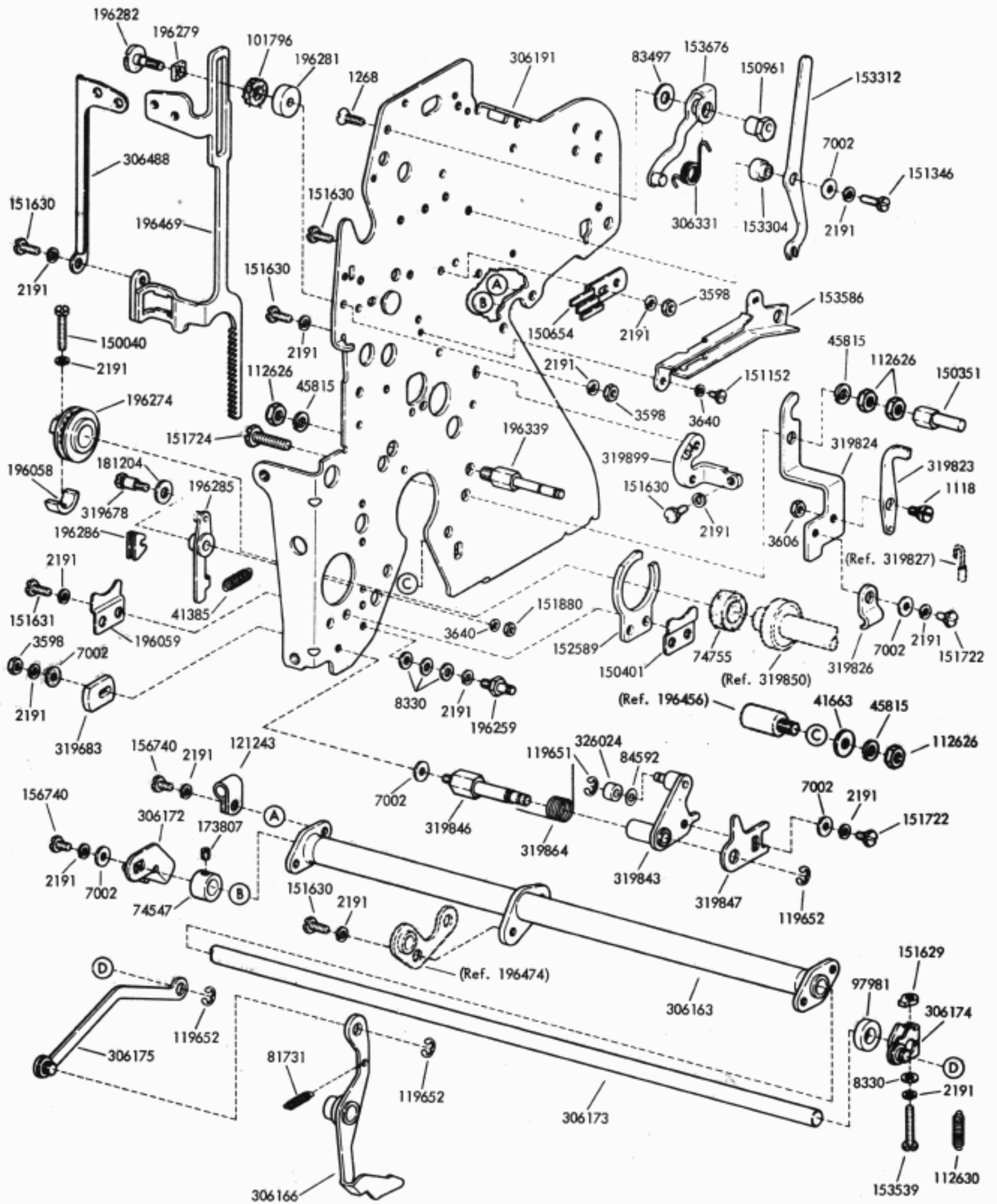


FIGURE 2. LEFT SIDE FRAME

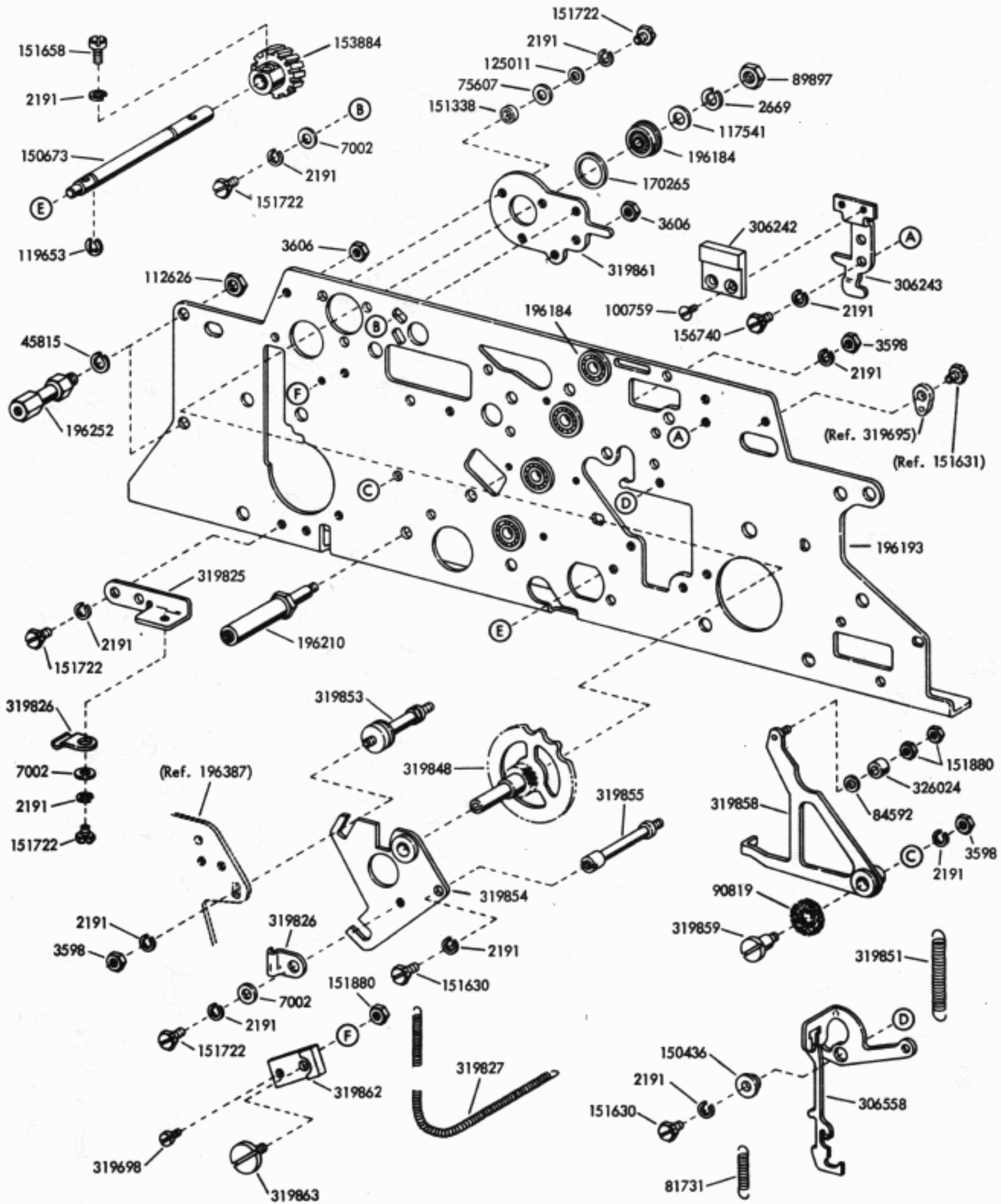


FIGURE 3. FRONT PLATE MECHANISM

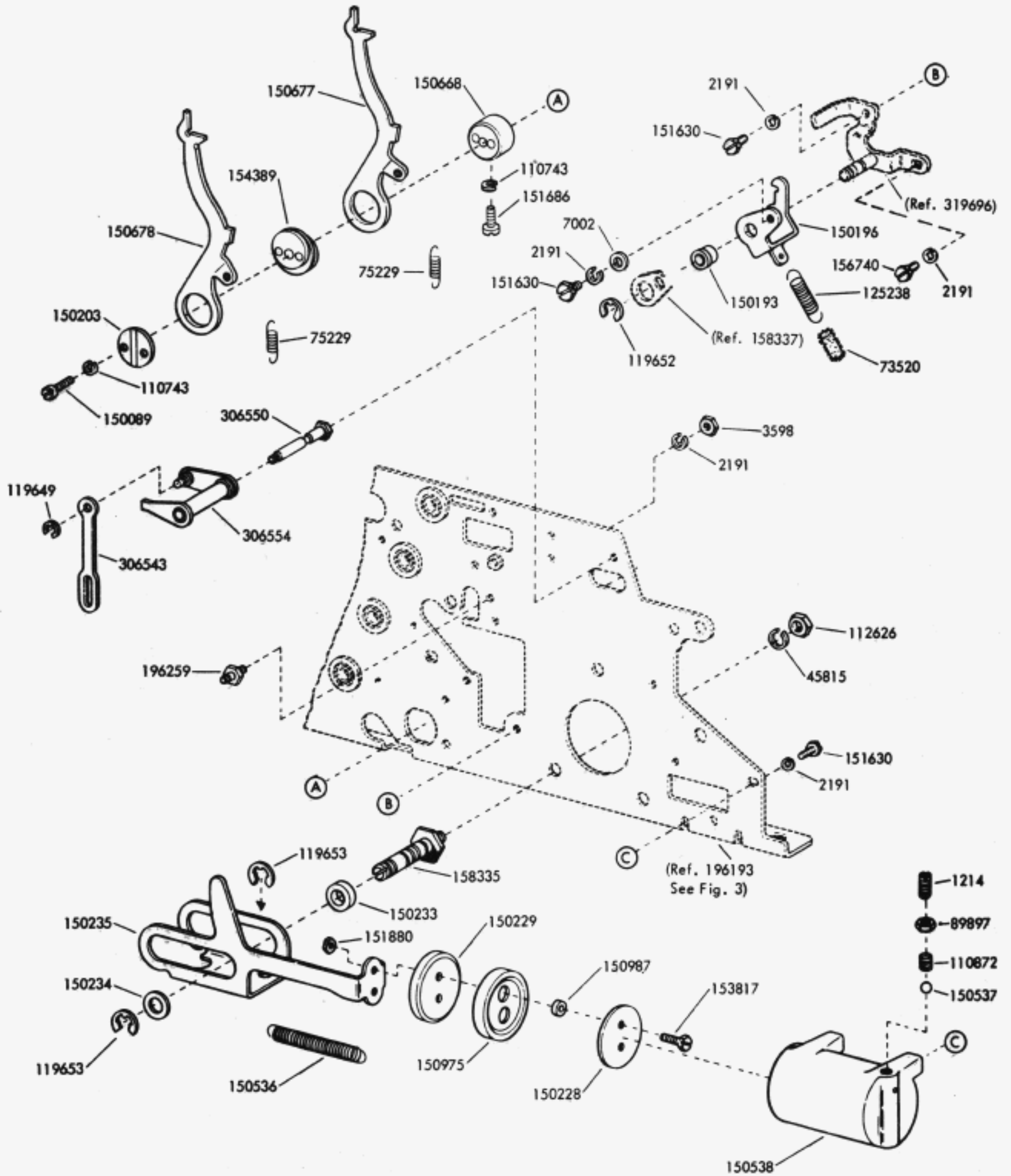
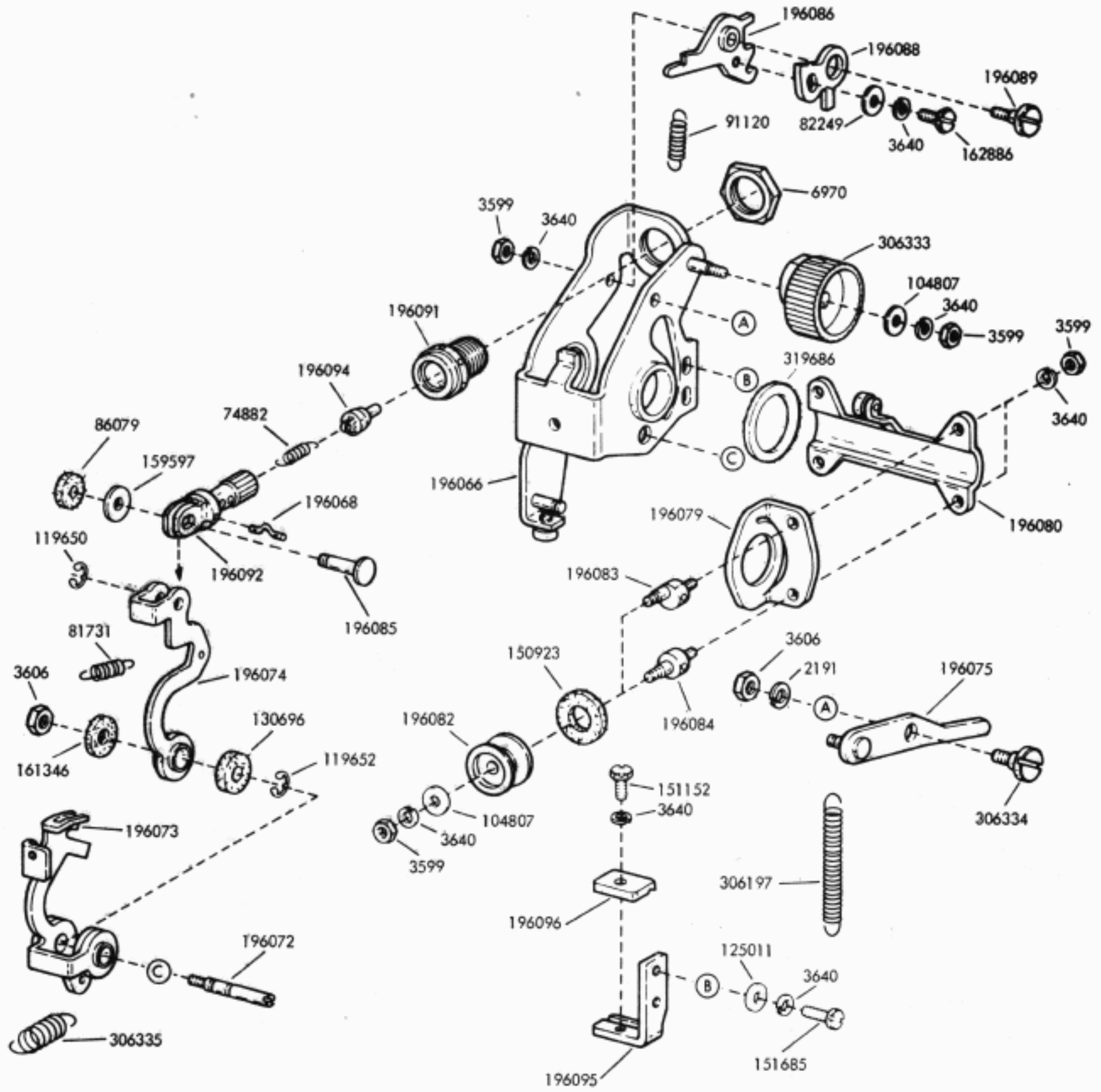


FIGURE 4. FRONT PLATE MECHANISM (Continued)



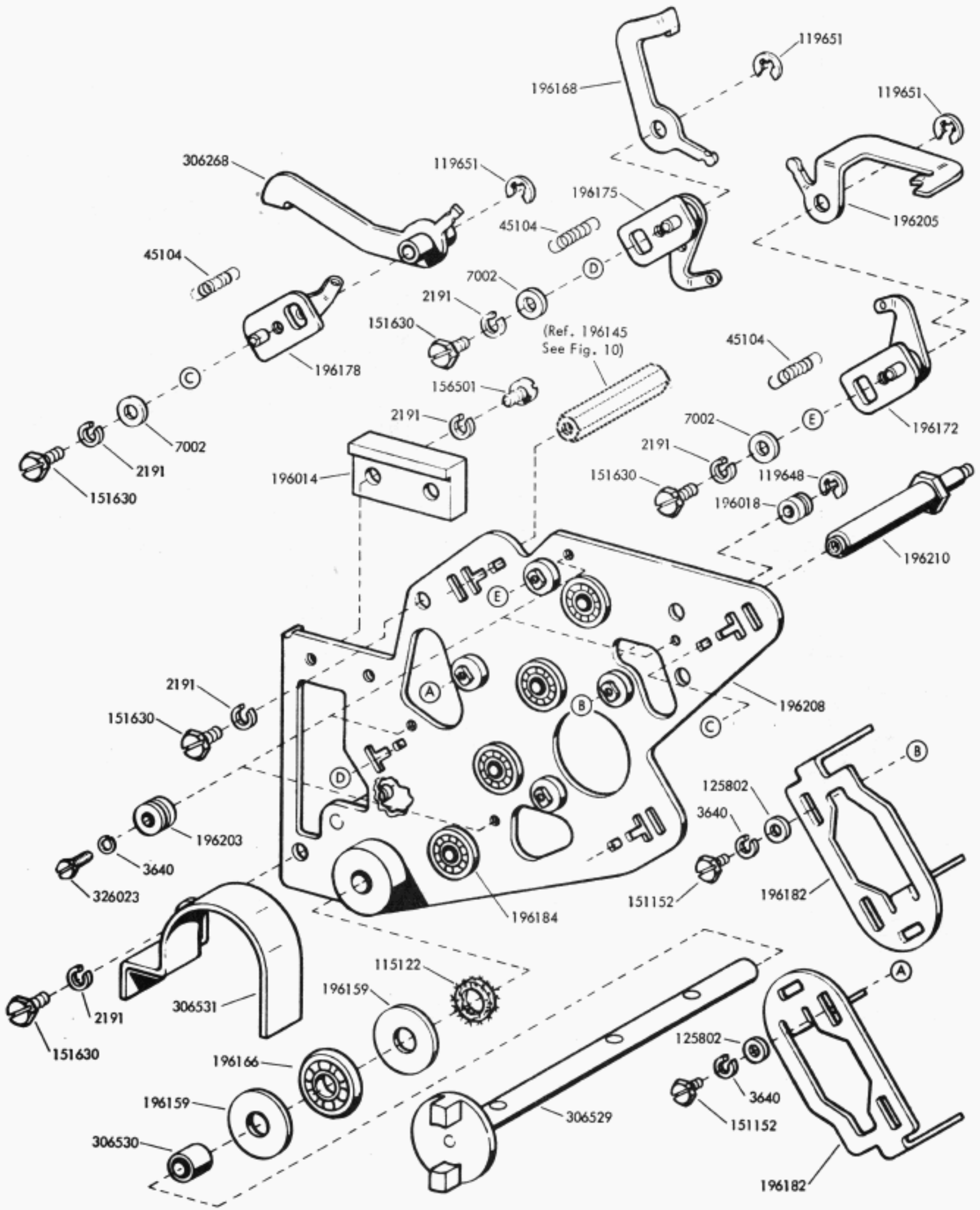


FIGURE 7. AGGREGATE MOTION LINKAGE

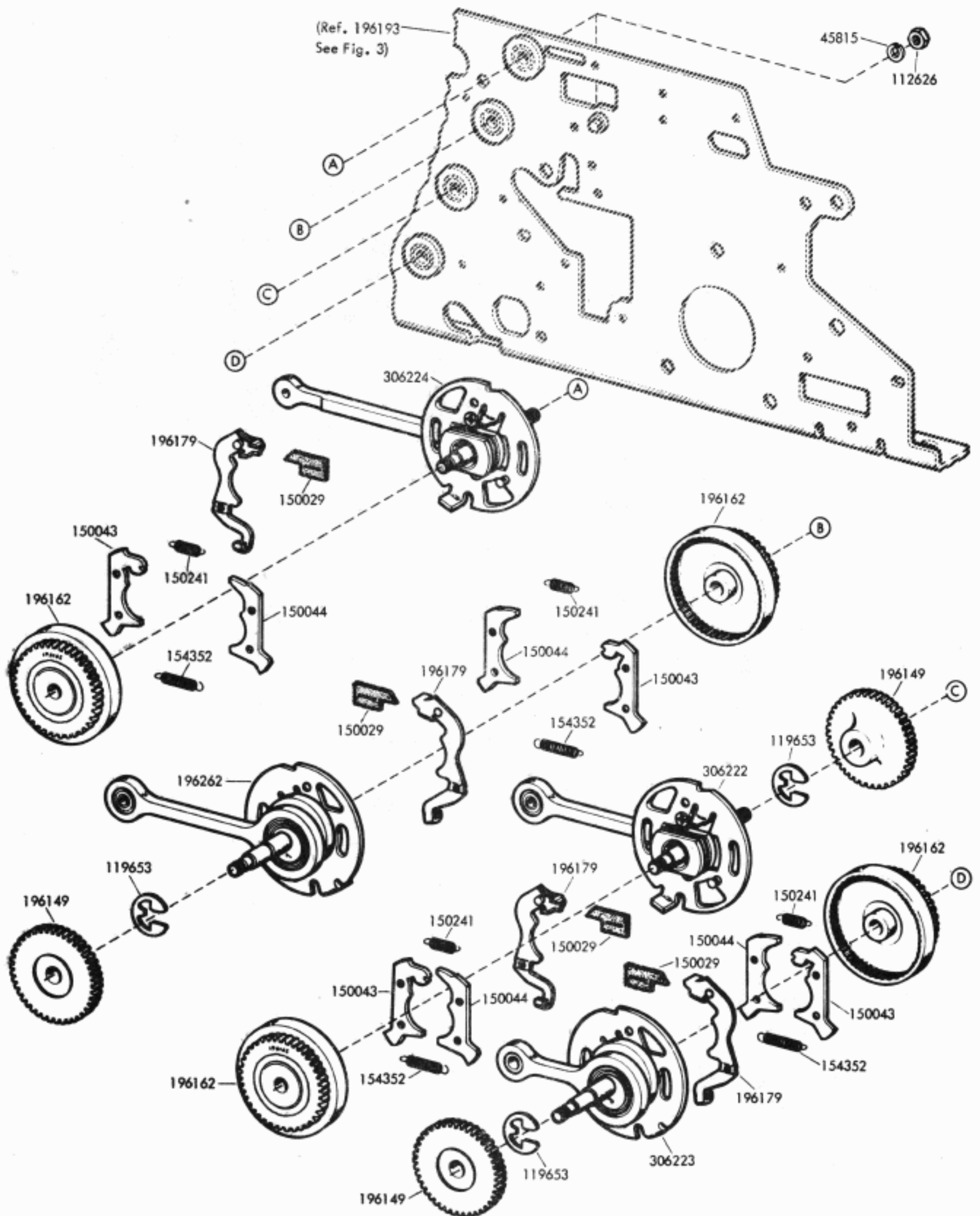


FIGURE 8. AGGREGATE MOTION LINKAGE (Continued)

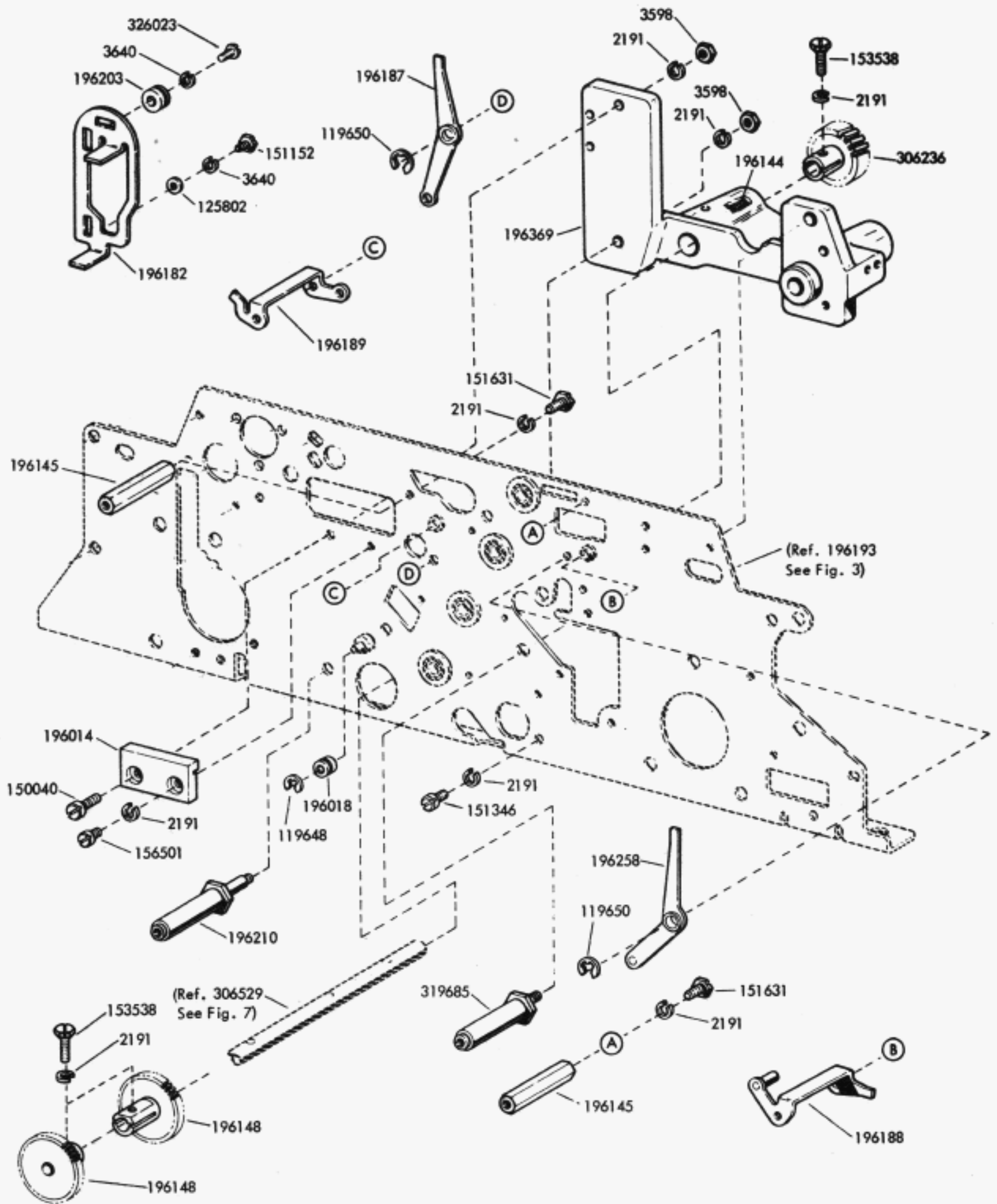


FIGURE 10. AGGREGATE MOTION LINKAGE (Continued)

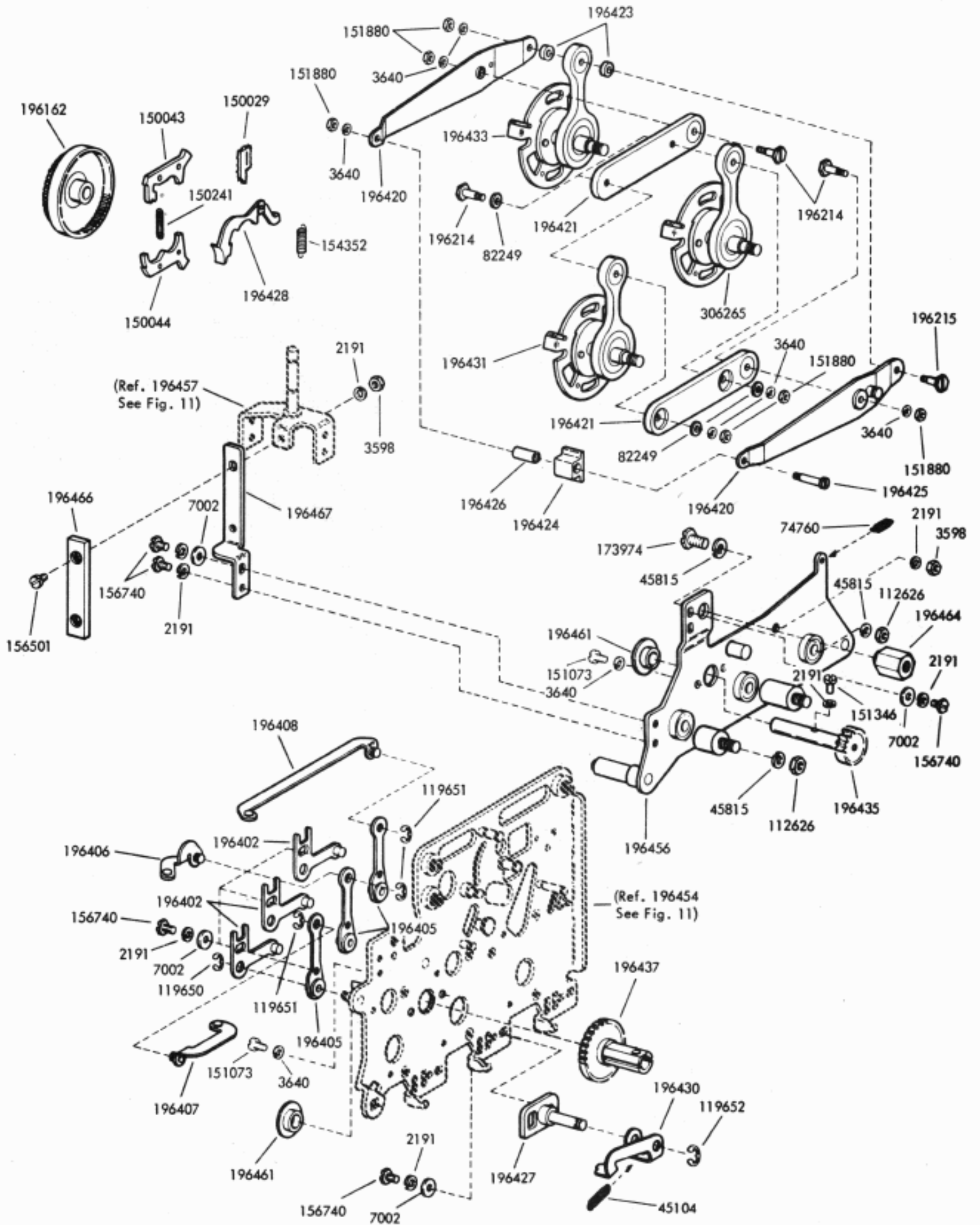


FIGURE 12. VERTICAL POSITIONING AND RETRACTION (Continued)

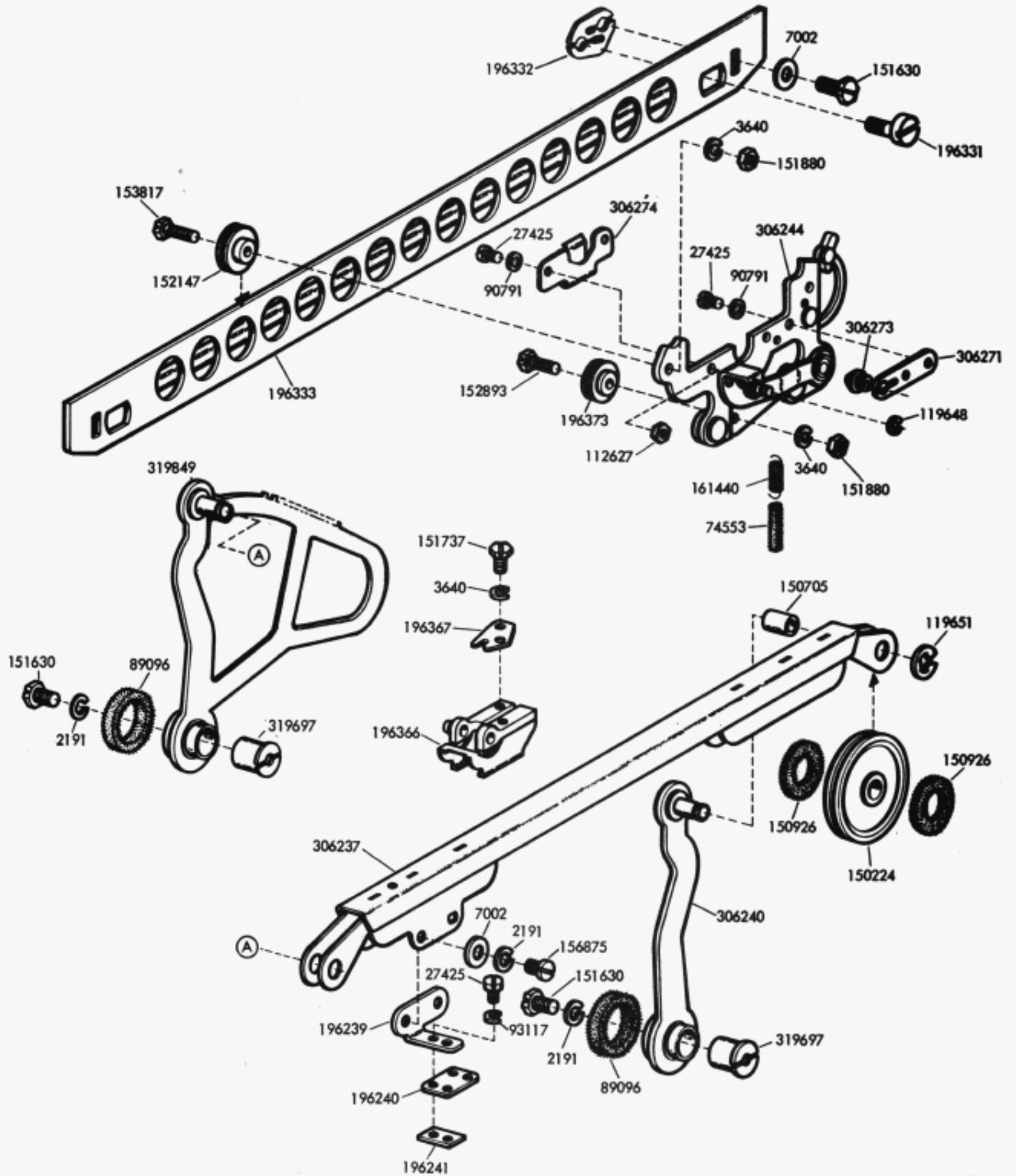
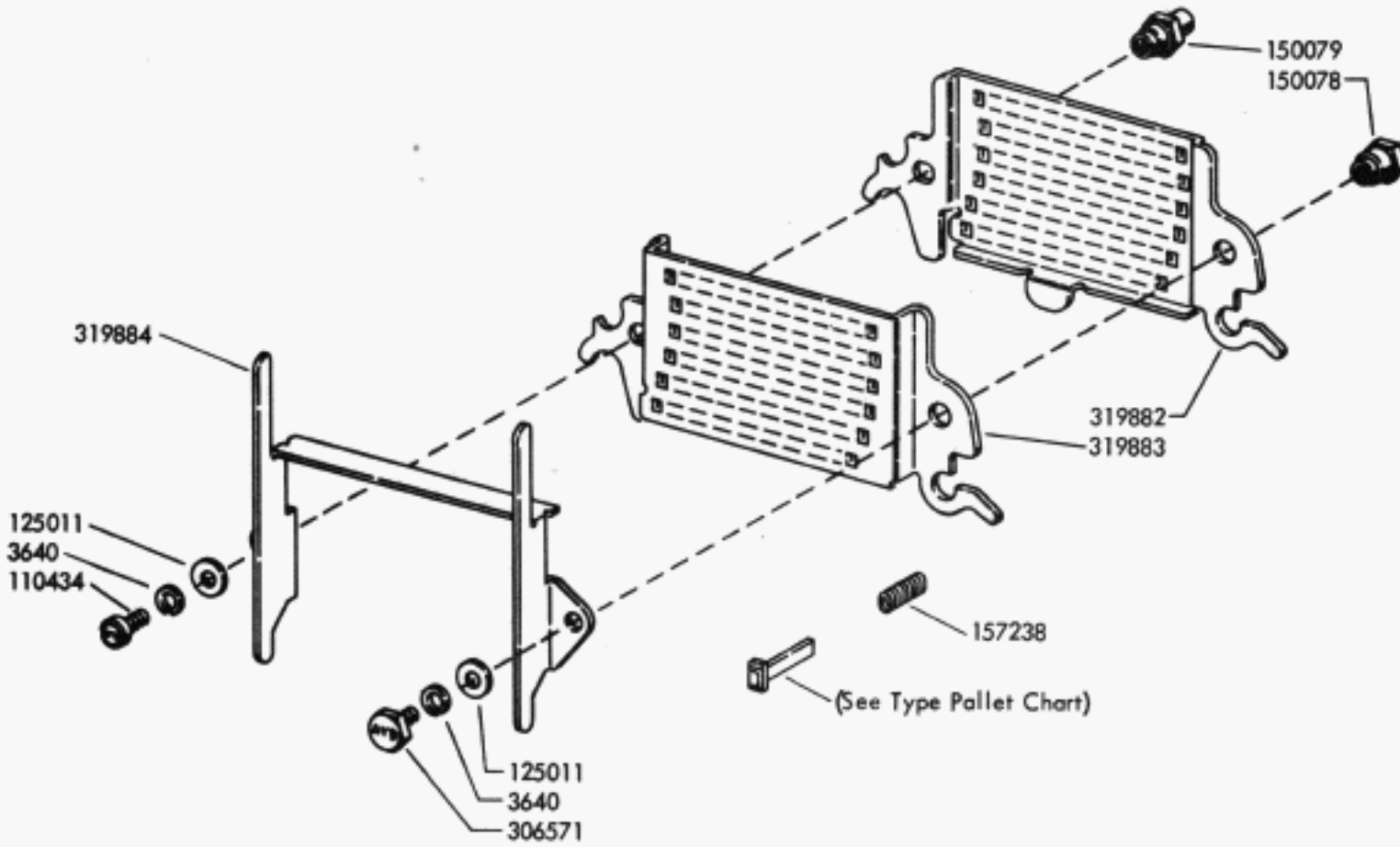


FIGURE 14. TYPE BOX CARRIAGE MECHANISM



TYPE PALLET CHART							
Number	Pallet	Number	Pallet	Number	Pallet	Number	Pallet
319530	A	319553	X	319628	q	319588	6
319531	B	319554	Y	319573	r	319589	7
319532	C	319555	Z	319574	s	319590	8
319533	D	319609	(319575	t	319591	9
319534	E	319630	/	319576	u	319594	:
319535	F	319610)	319577	v	319595	;
319536	G	195200	l	319578	w	157791	<
319537	H	319556	a	319579	x	319636	=
319538	I	319557	b	319629	y	157790	>
319539	J	319558	c	319581	z	319596	?
319540	K	319559	d	319632	⌈	319597	
319541	L	319560	e	319607	~	319599	"
319542	M	319561	f	319633	⌋	319602	#
319543	N	319625	g	319637	^	319604	\$
157614	O	319563	h	319621	-	319603	%
319545	P	319564	i	157726	@	319606	&
319546	Q	319626	j	319623	\	319598	*
319547	R	319566	k	155446	ø	319600	(
319548	S	319567	l	319583	1	319601)
319549	T	319568	m	319584	2	319605	•
319550	U	319569	n	319585	3	319635	+
319551	V	319570	o	319586	4	319593	,
319552	W	319627	p	319587	5	319634	-
						319592	.
						319631	\

FIGURE 15. 319885 TYPE BOX ARRANGEMENT "AYD"

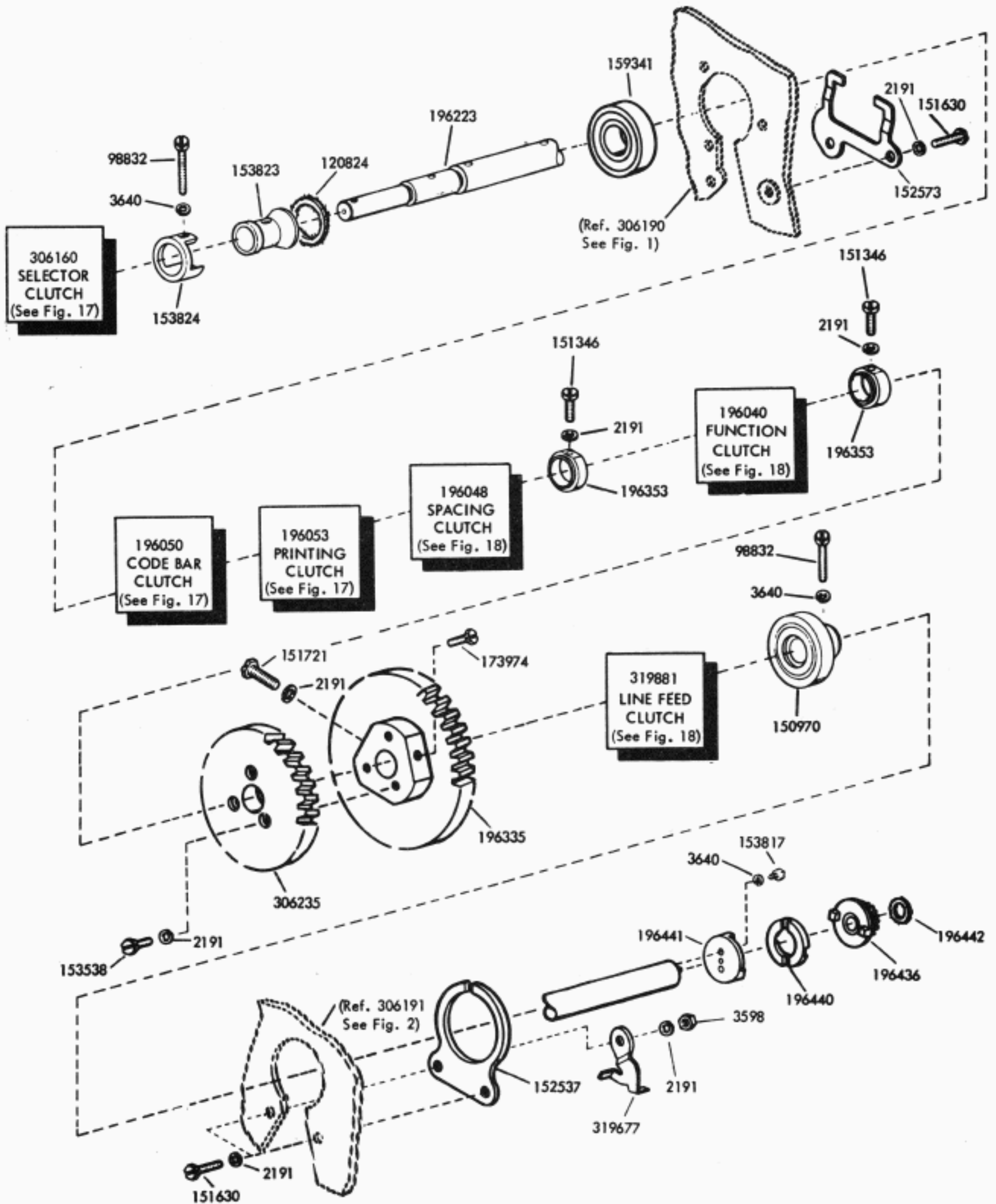


FIGURE 16. MAIN SHAFT

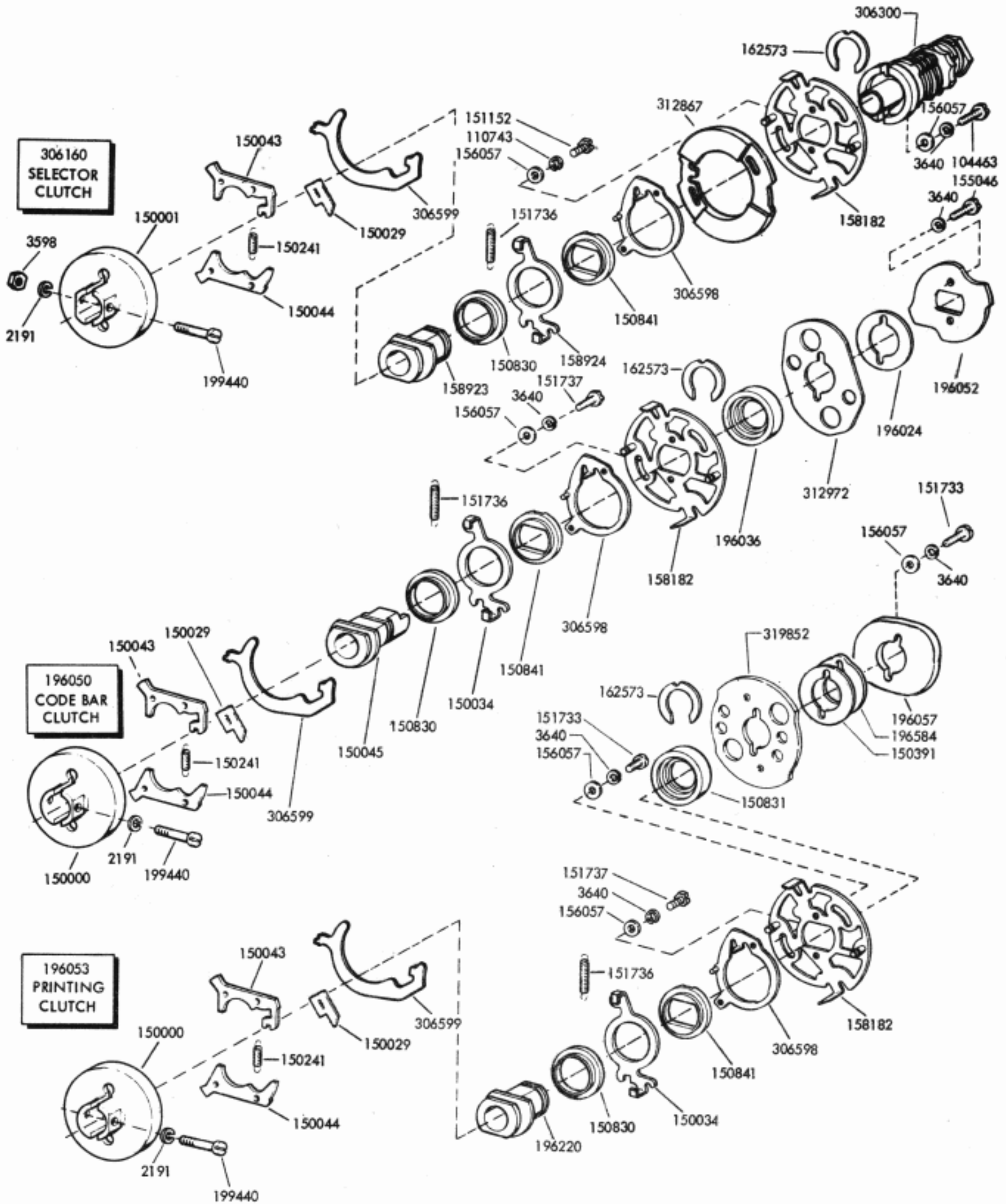


FIGURE 17. MAIN SHAFT CLUTCHES

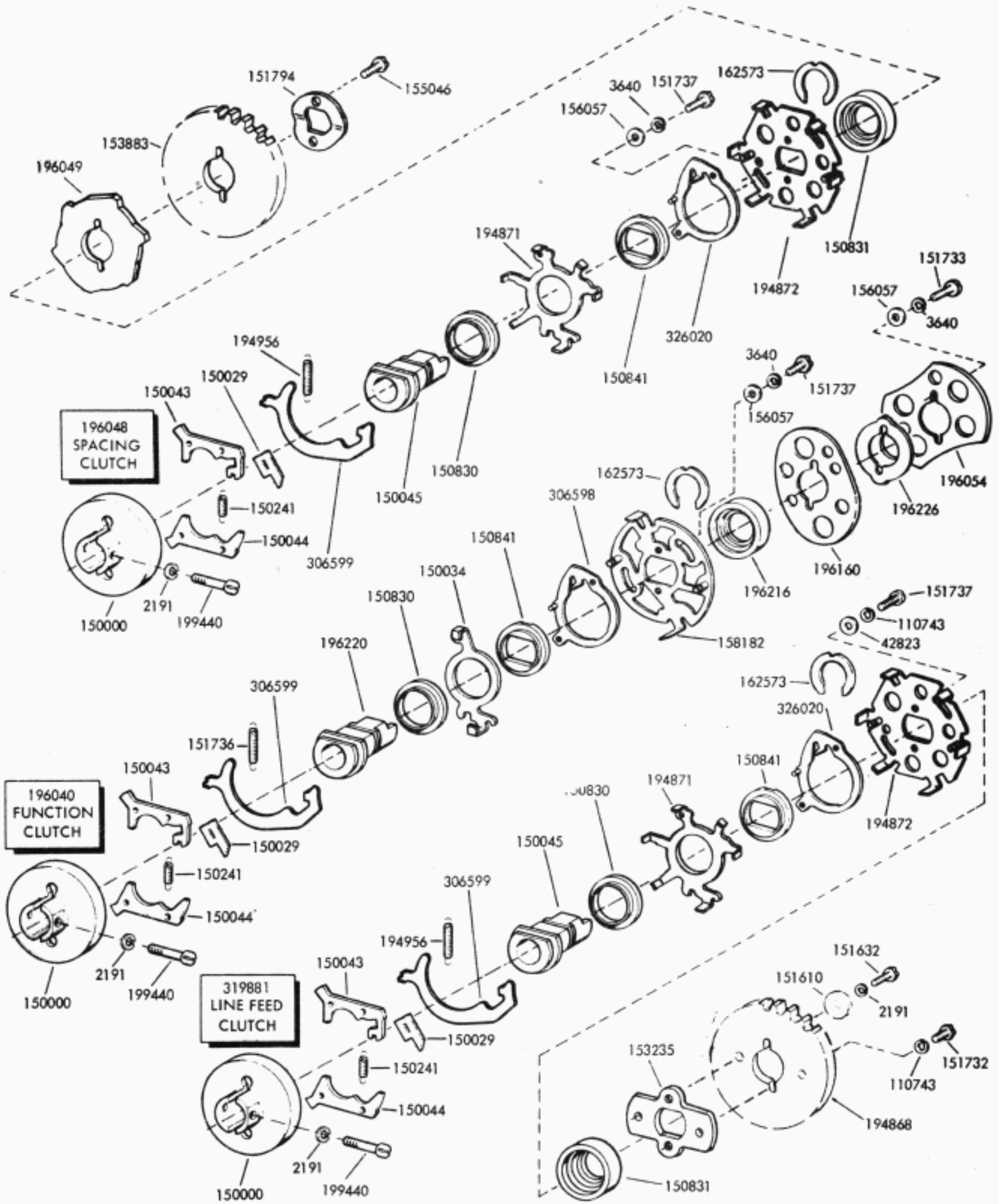


FIGURE 18. MAIN SHAFT CLUTCHES (Continued)

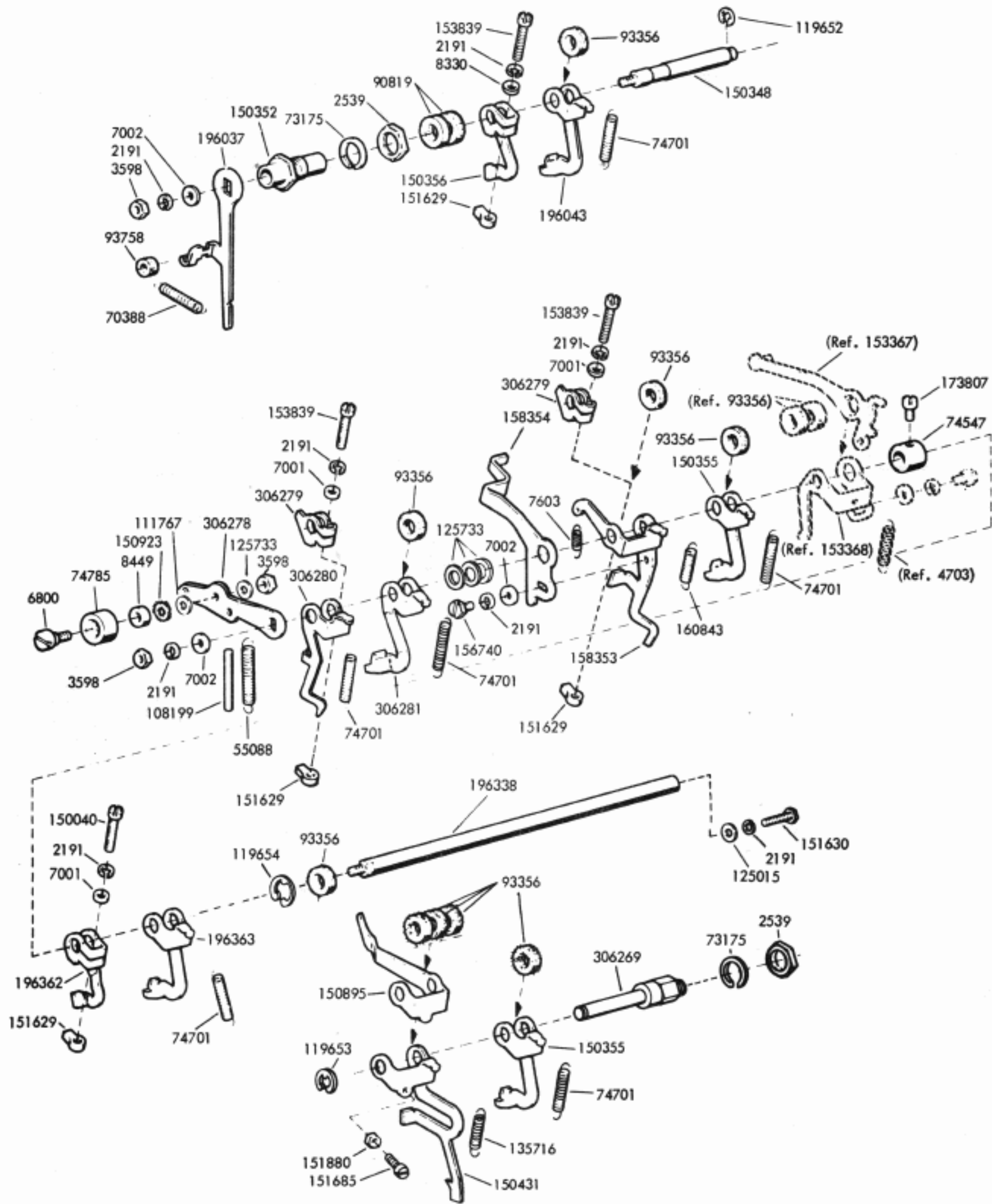


FIGURE 19. TRIP SHAFT MECHANISM

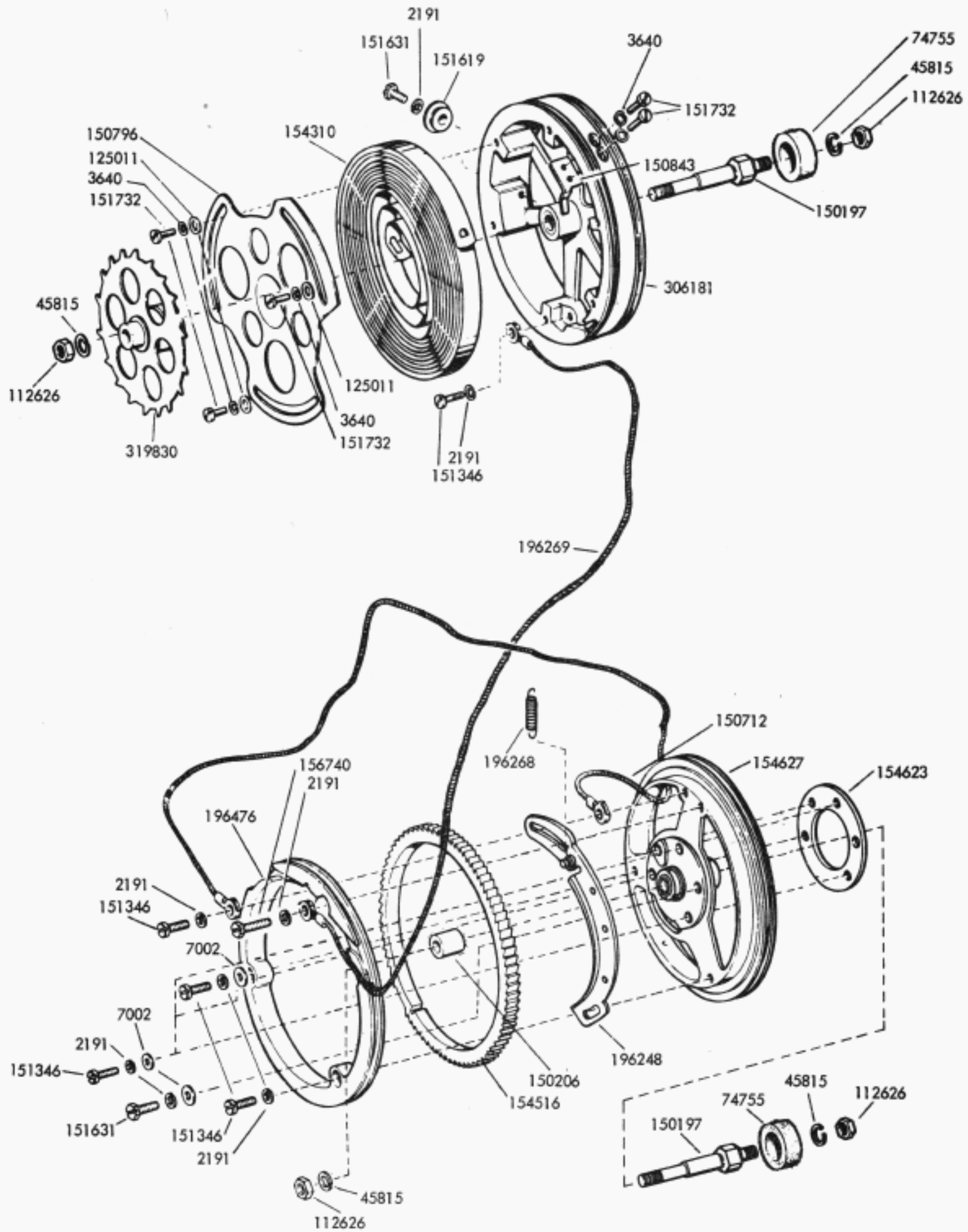


FIGURE 21. CARRIAGE RETURN AND SPACING DRUM MECHANISM

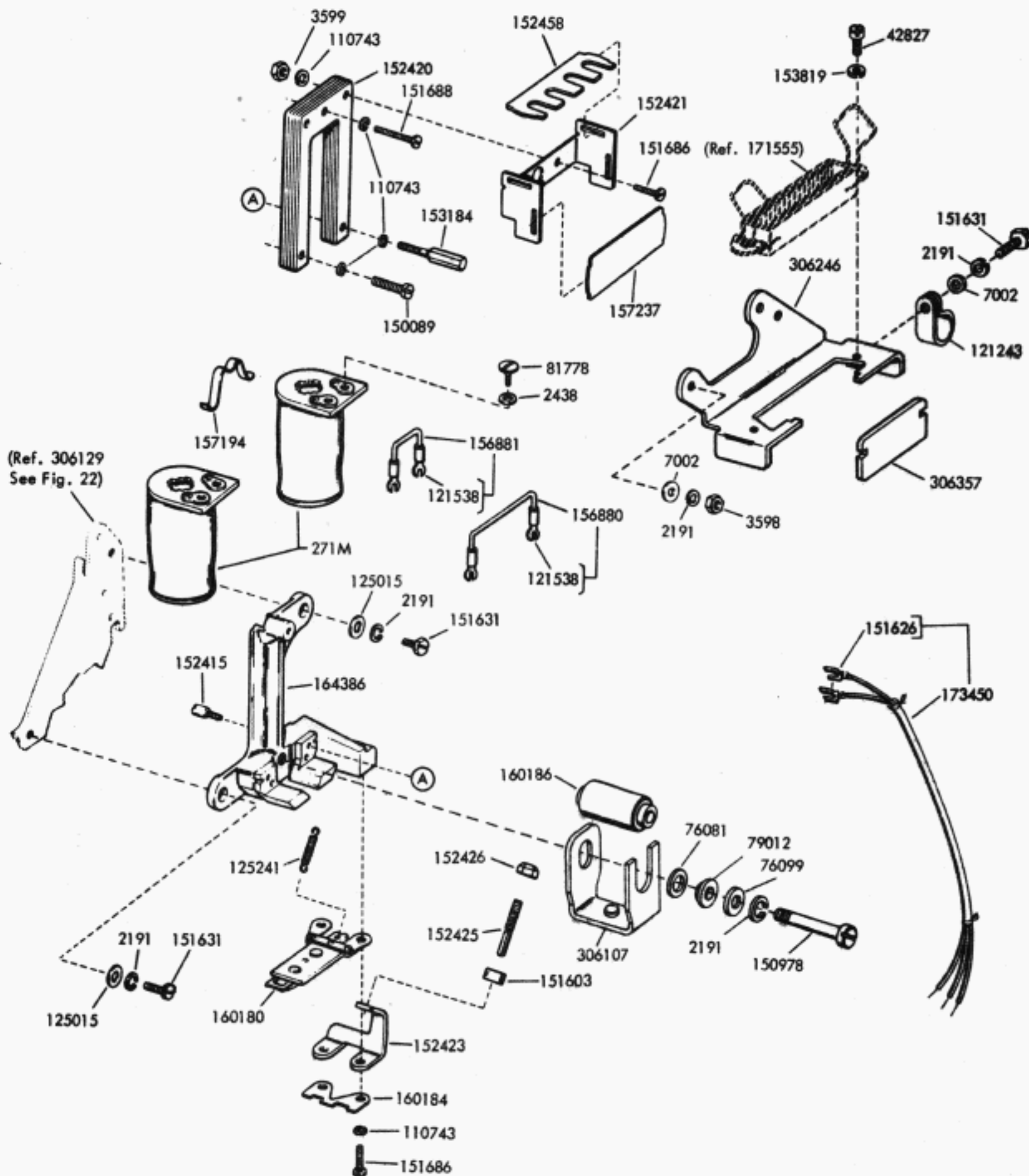


FIGURE 23. SELECTOR MAGNET MECHANISM

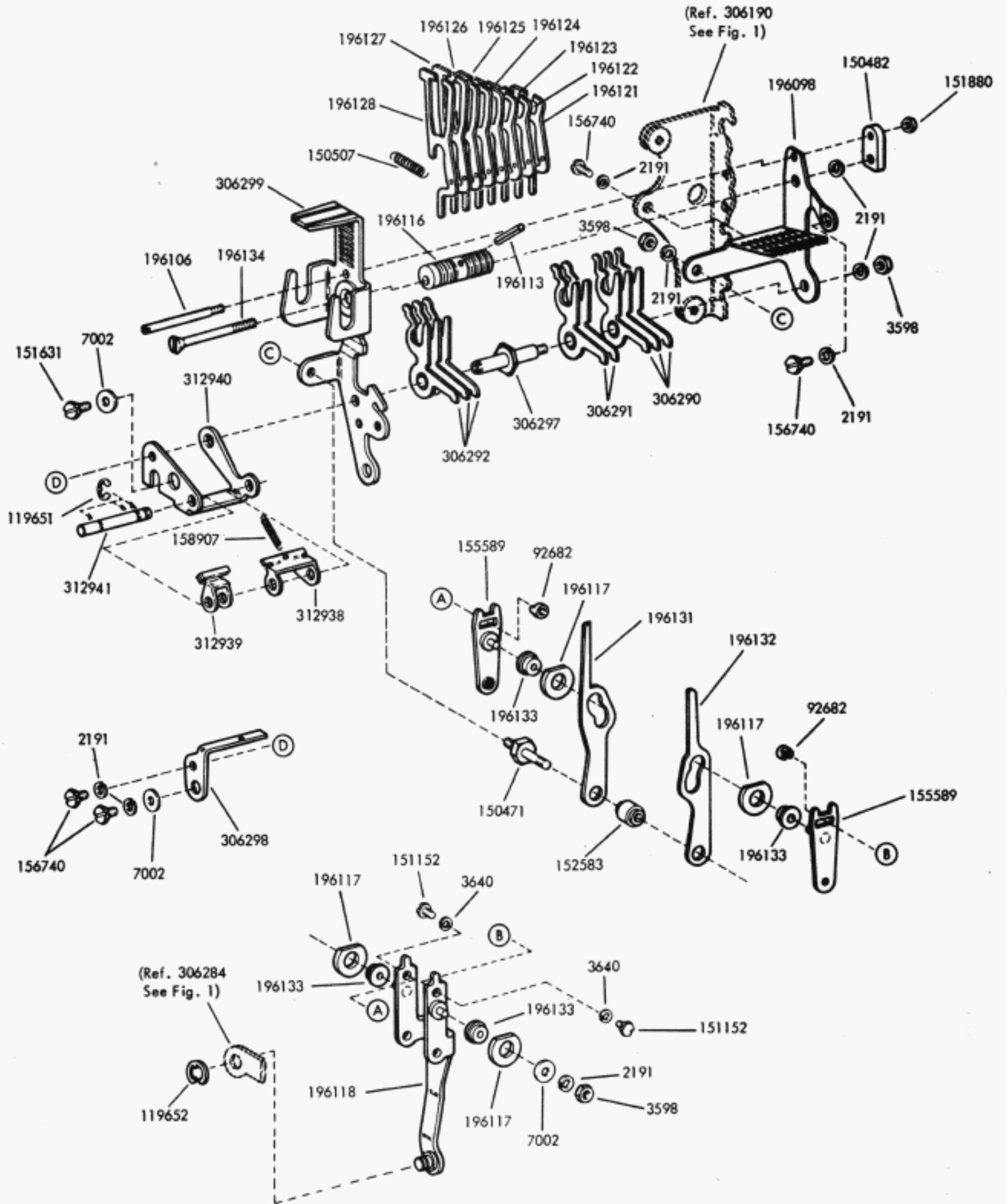


FIGURE 24. CODE BAR SELECTOR MECHANISM

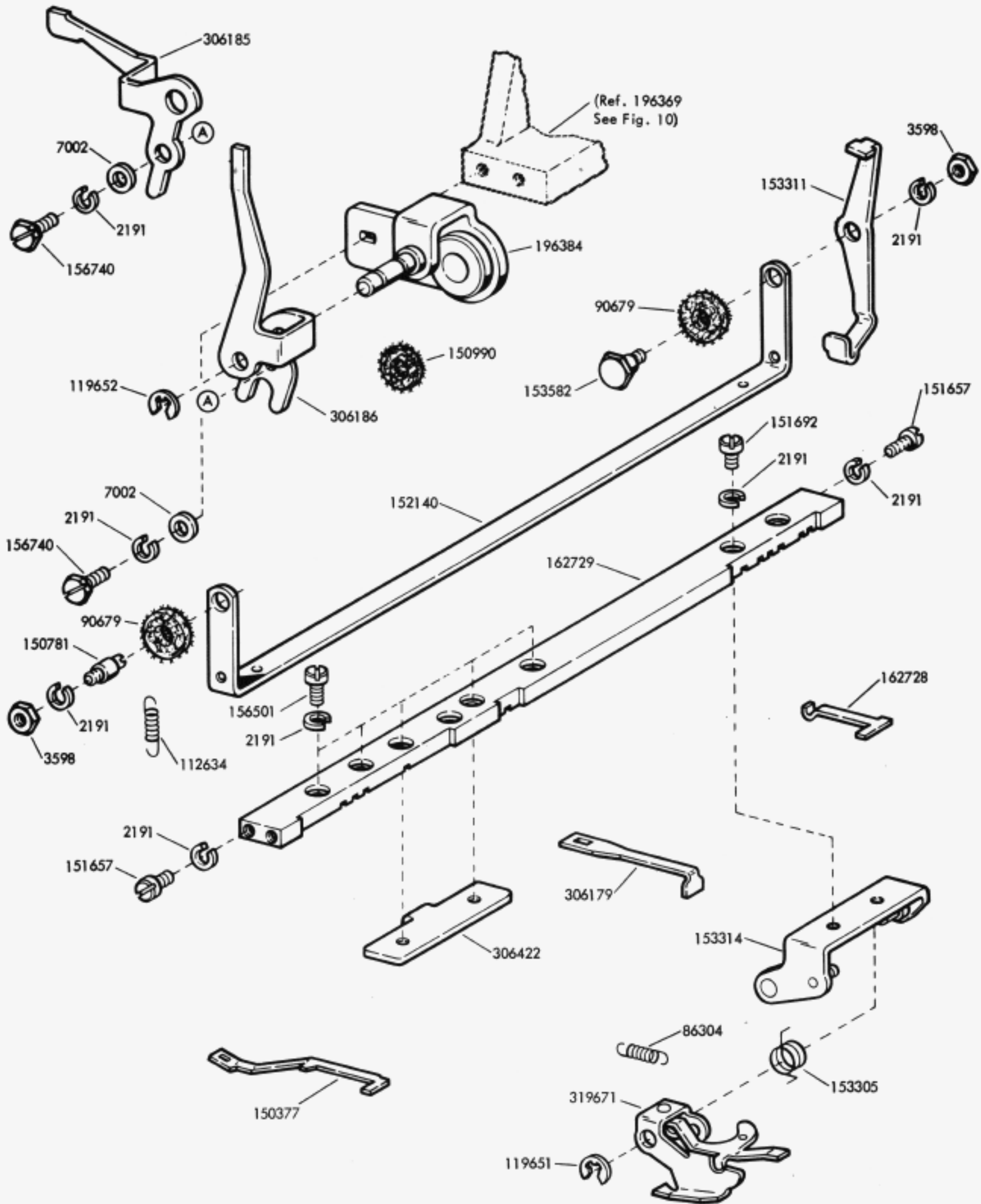


FIGURE 25. SPACE SUPPRESSION MECHANISM

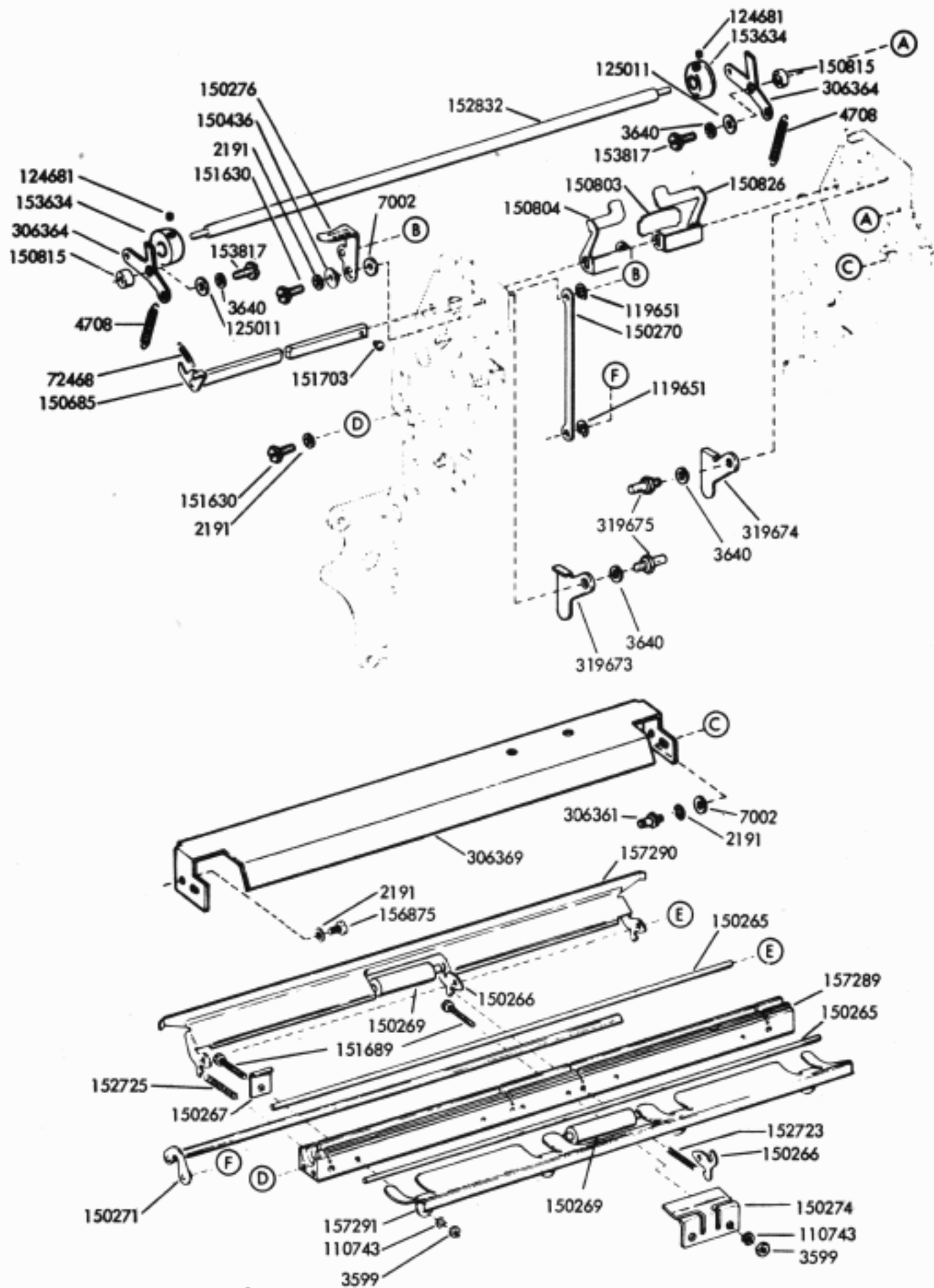


FIGURE 26. PRESSURE ROLLER MECHANISM

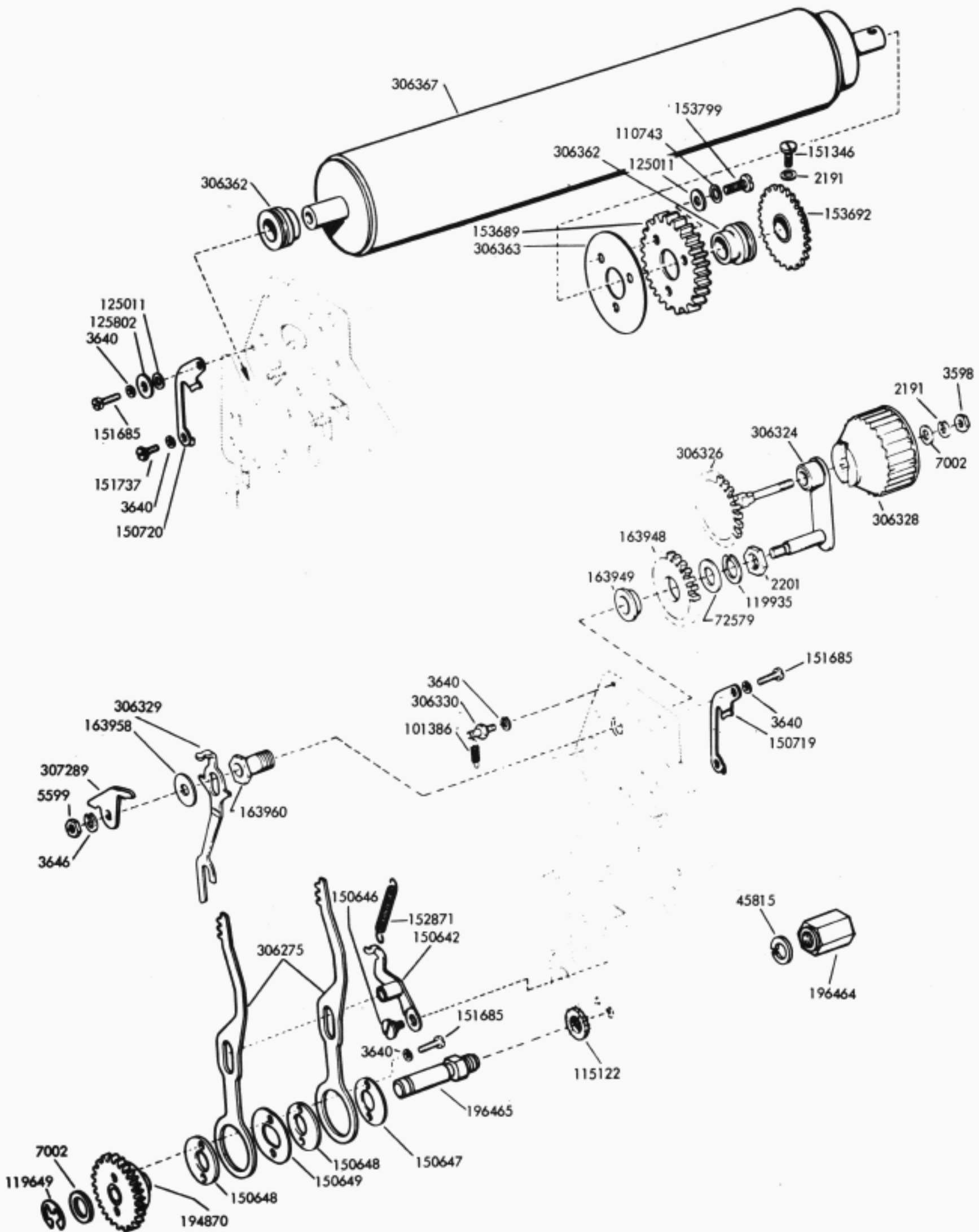


FIGURE 27. LINE FEED AND PLATEN MECHANISM

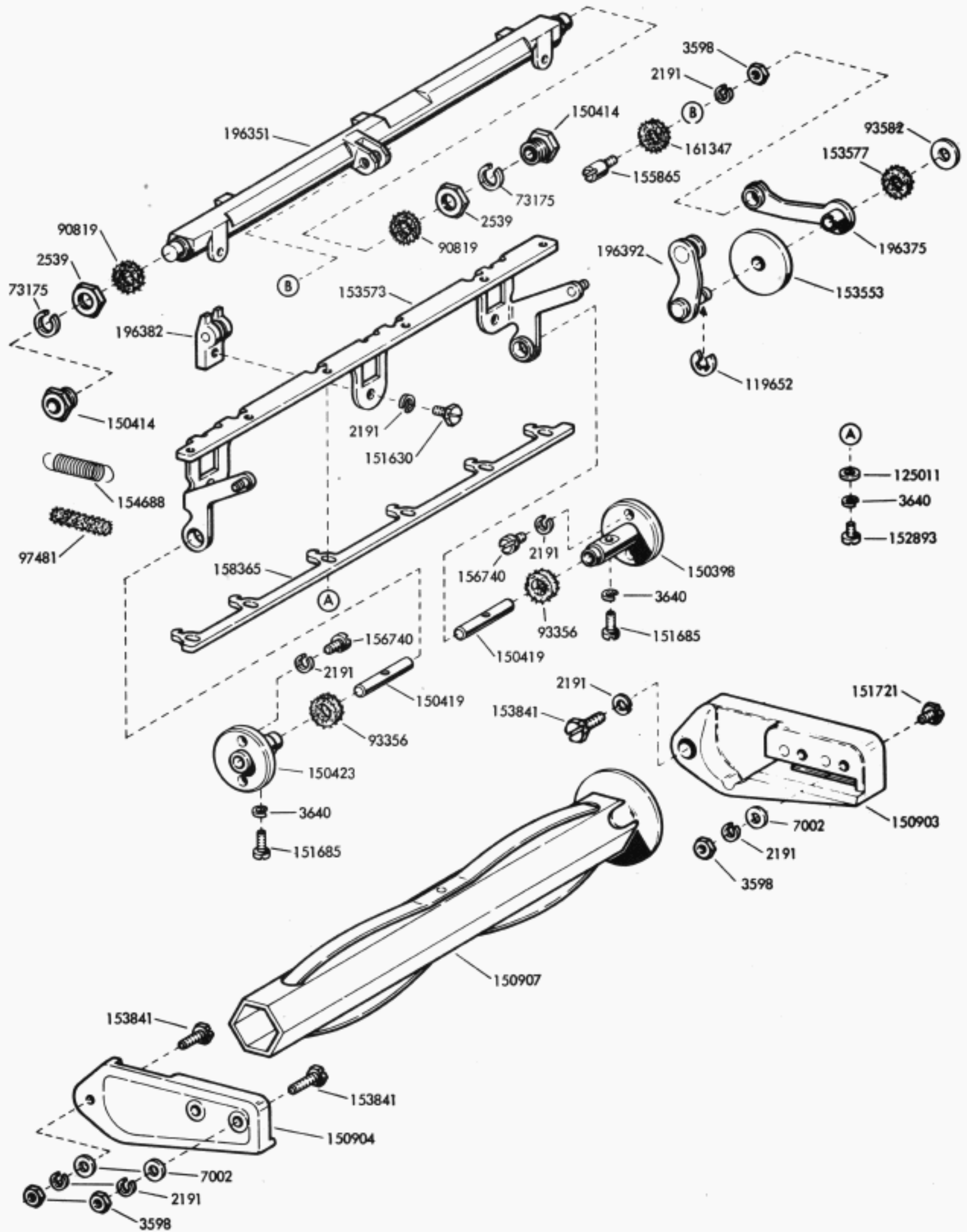


FIGURE 28. PAPER SPINDLE AND RESET BAIL MECHANISM

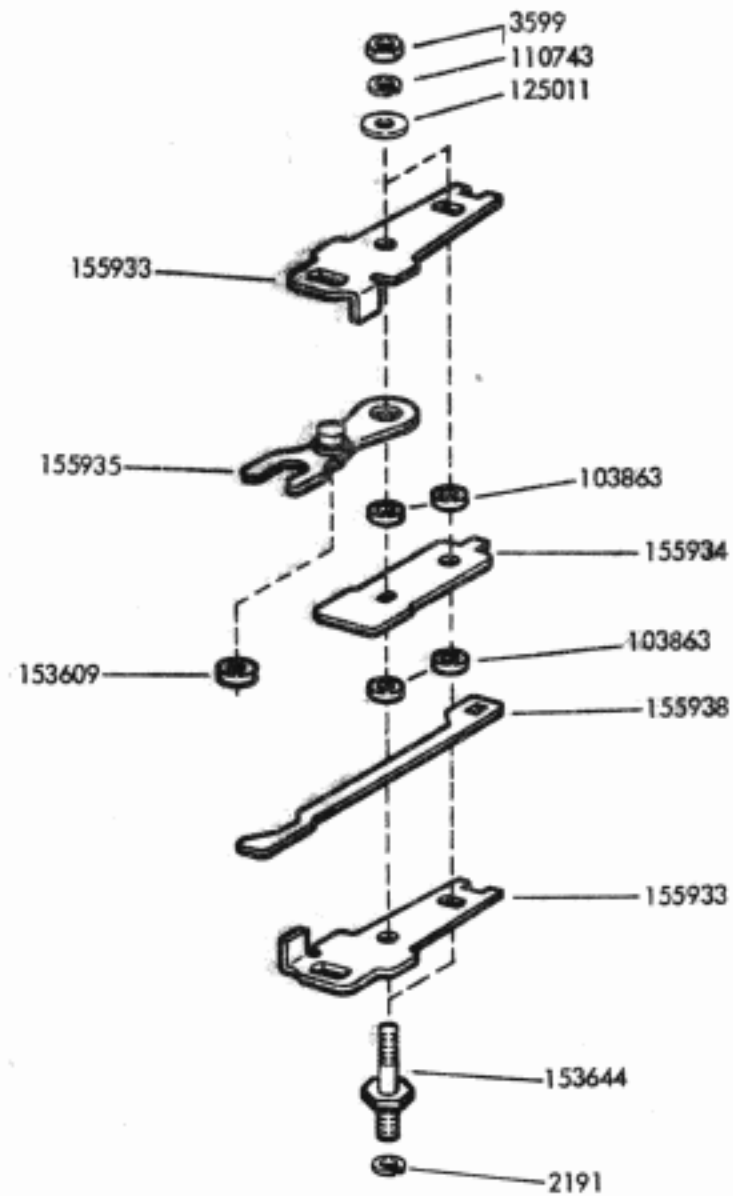
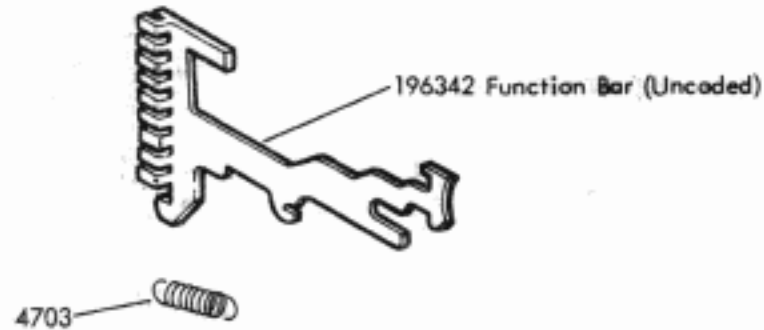


FIGURE 30. SHIFT FORK MECHANISM



FUNCTION BAR	FUNCTION	FUNCTION BAR	FUNCTION
306201	CR	306211	SO
306202	LF	306212	VT
306203	HT	306213	FF, SUPPRESSION
306204	EOT	306214	ESC
306205	BELL	306215	ESC RELEASE
306206	BS	306216	F
306207	ACK	306217	H
306208	NACK	306218	SUPPRESSION
306209	WRJ	306219	SUPPRESSION
306210	SI	306221	SUPPRESSION

FIGURE 31. FUNCTION BARS

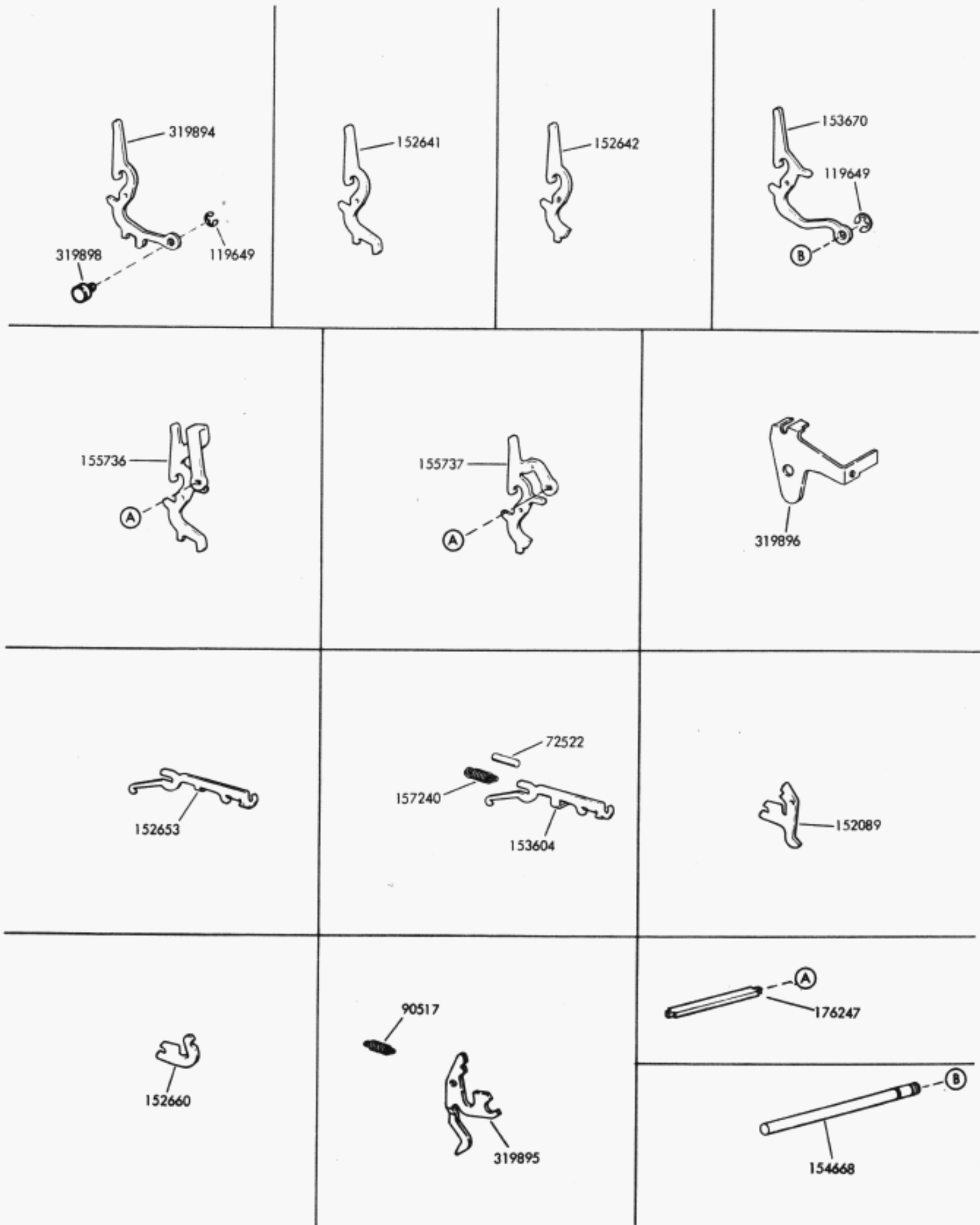


FIGURE 32. FUNCTION LEVERS, PAWLS AND LATCHES

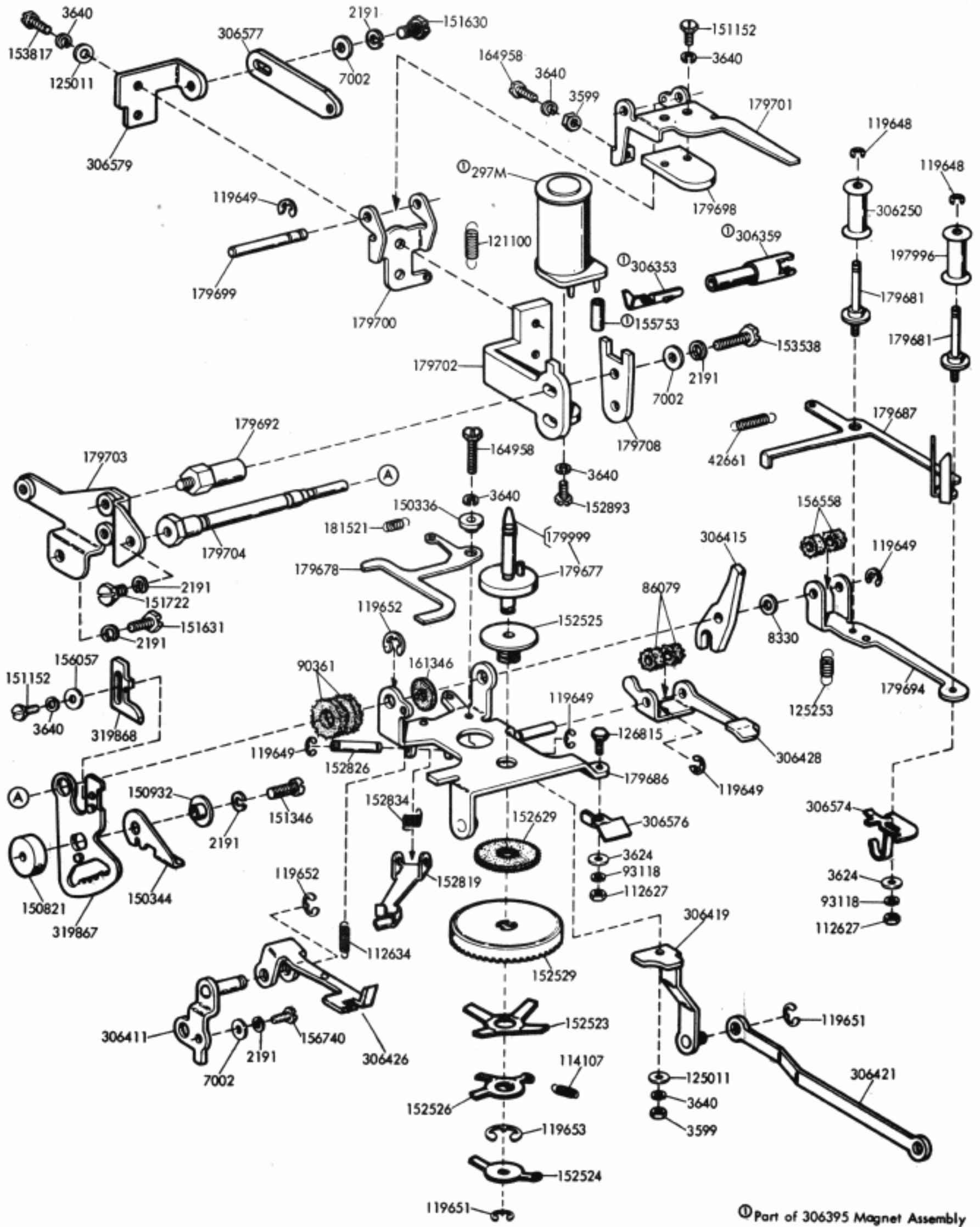


FIGURE 33. RIGHT RIBBON FEED MECHANISM FOR TWO COLOR PRINTING

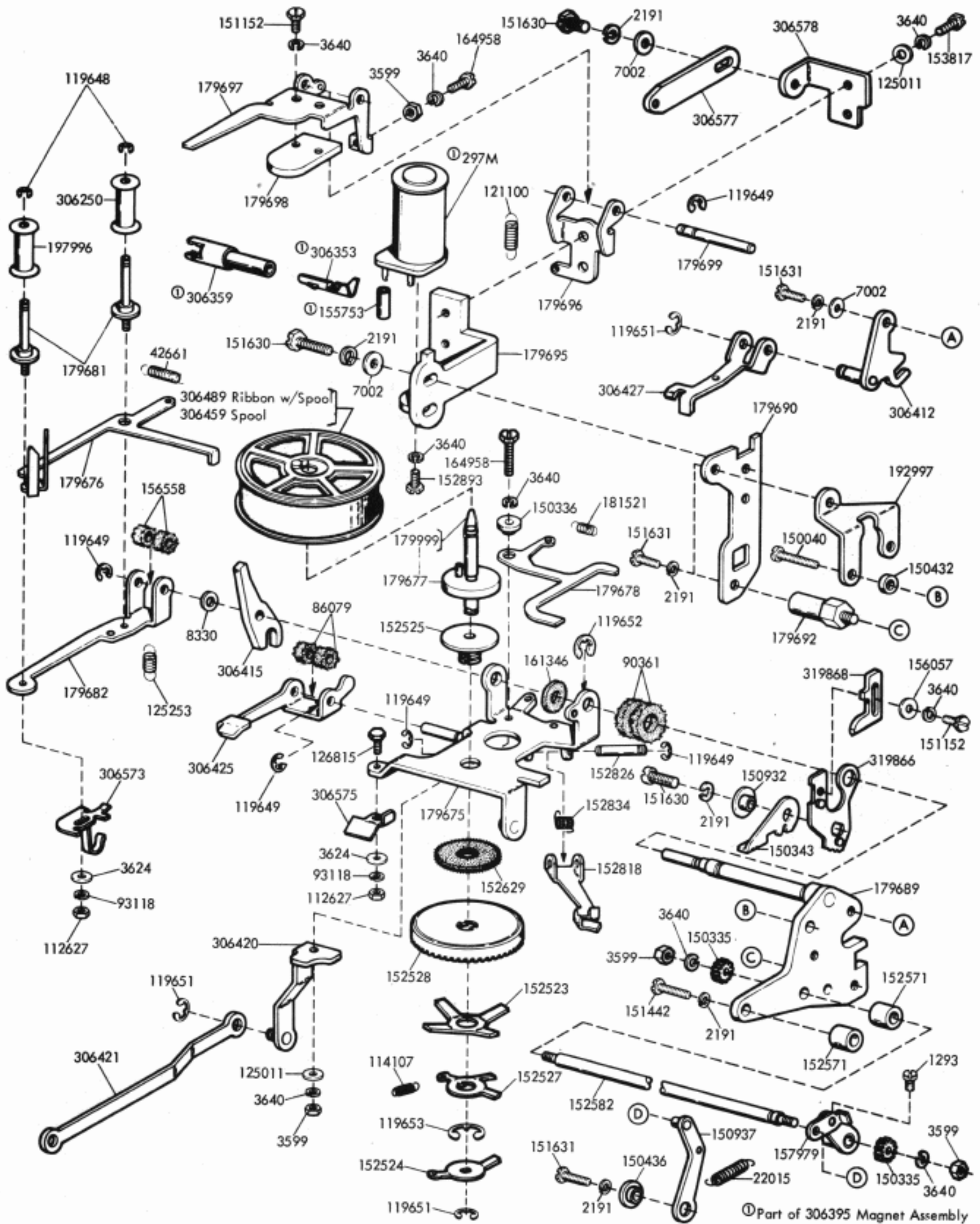
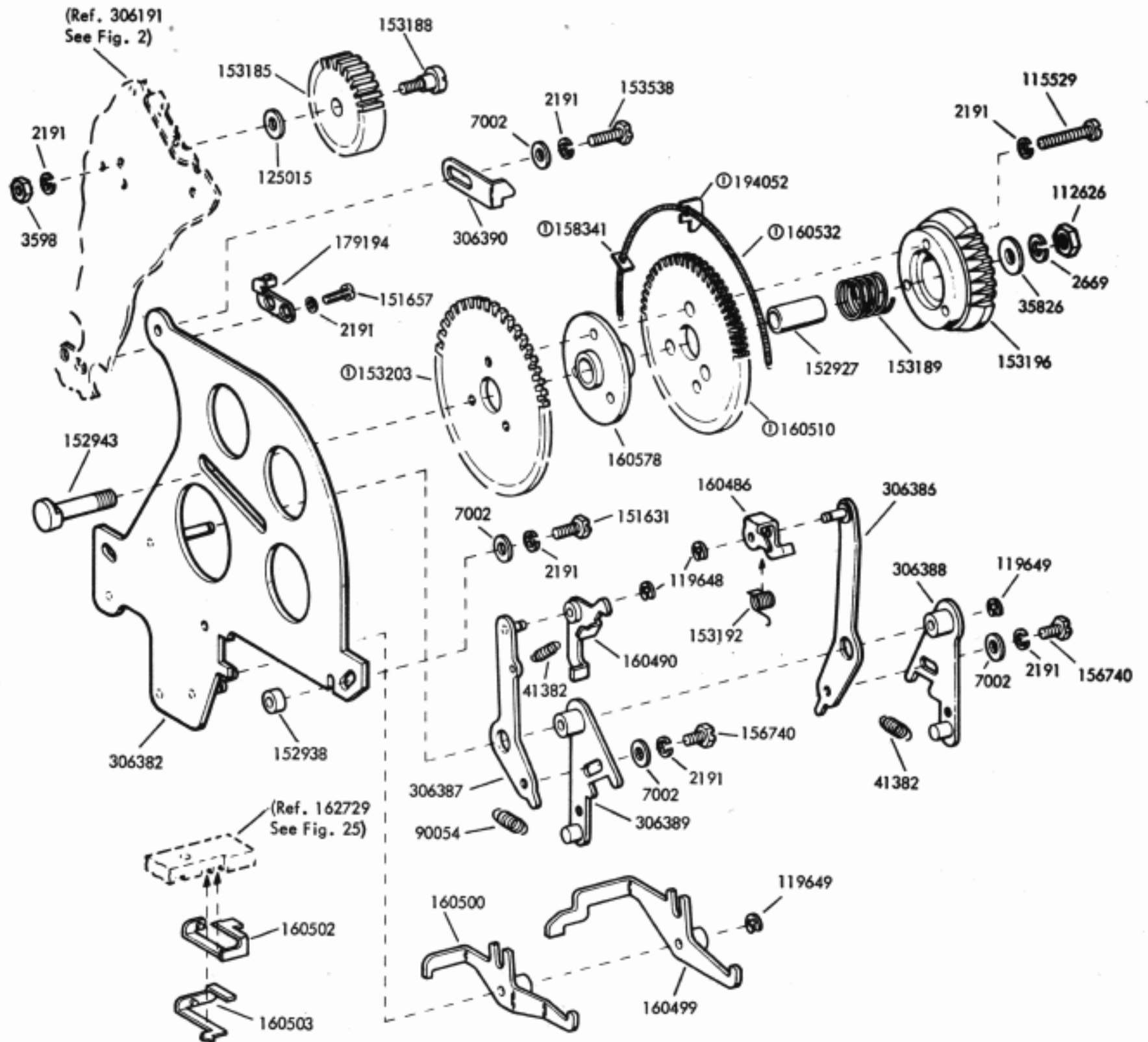


FIGURE 34. LEFT RIBBON FEED MECHANISM FOR TWO COLOR PRINTING



①154765 Modification Kit to equip vertical tabulator for 5-1/2 and 11 inch length forms

FIGURE 35. VERTICAL TABULATION WITH FORM FEED-OUT

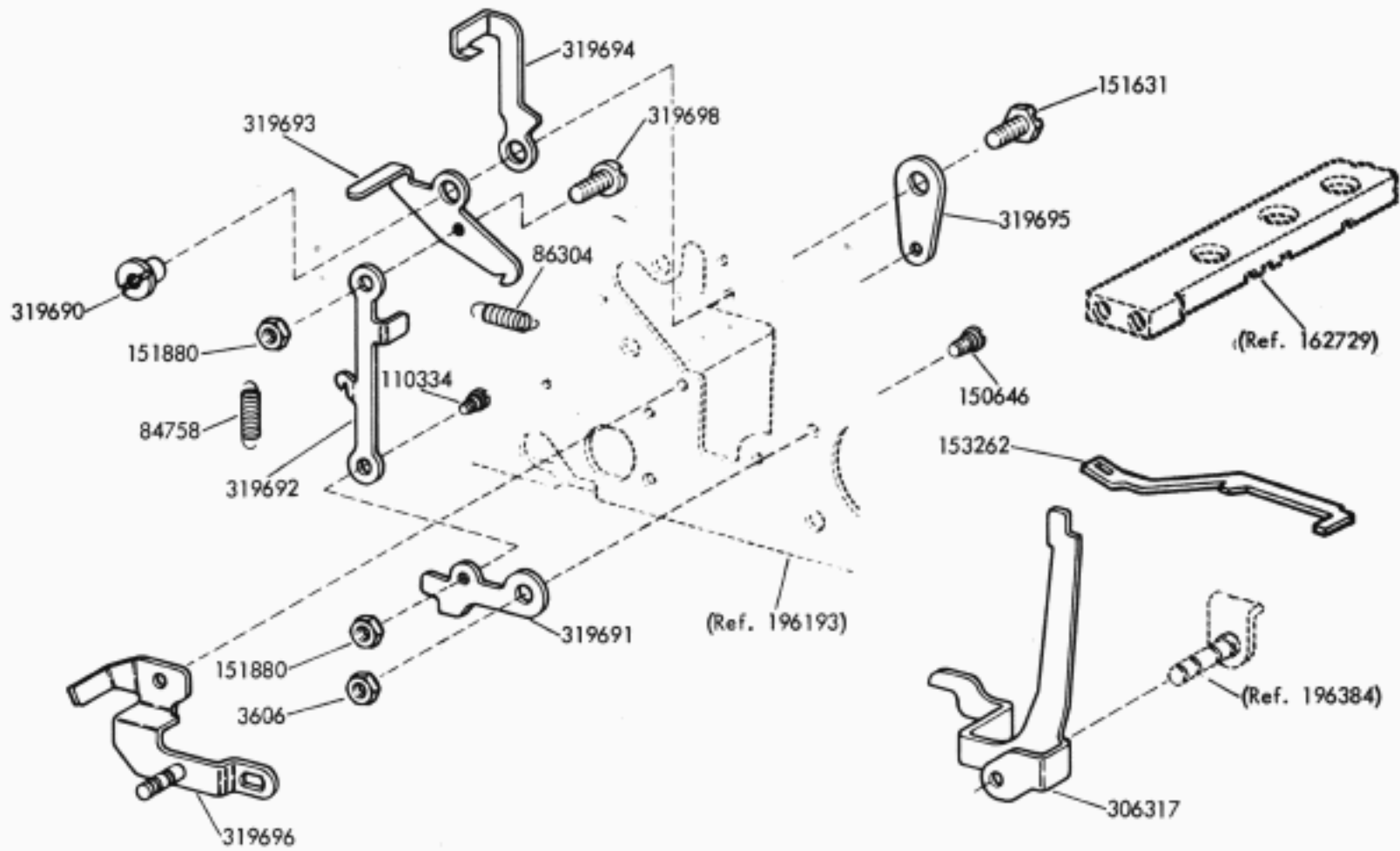


FIGURE 36. 306316 MODIFICATION KIT TO PROVIDE ON LINE-BACKSPACE

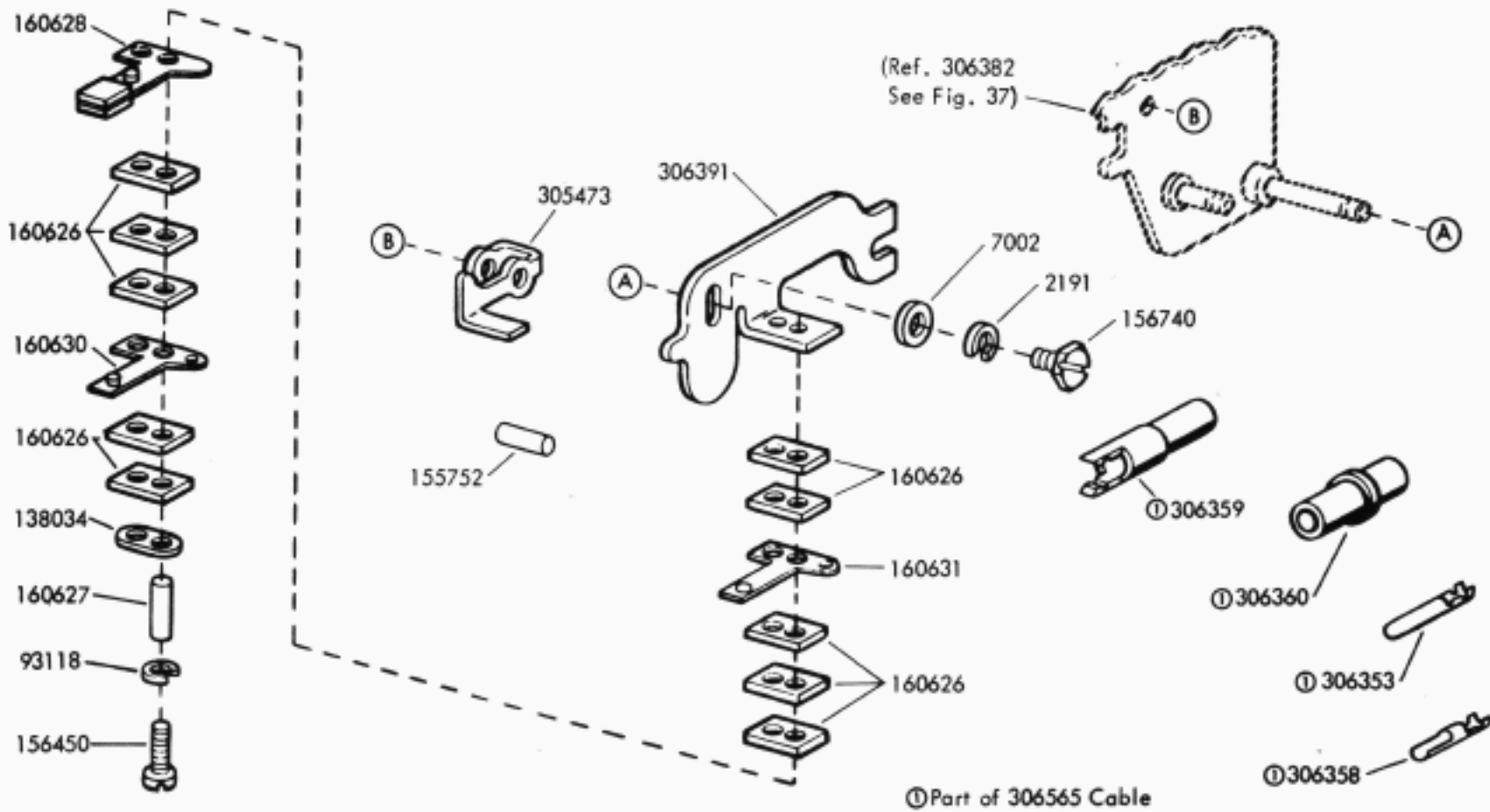


FIGURE 37. 306406 MODIFICATION KIT TO ADD VERTICAL TABULATOR TRANSMITTER CONTROL

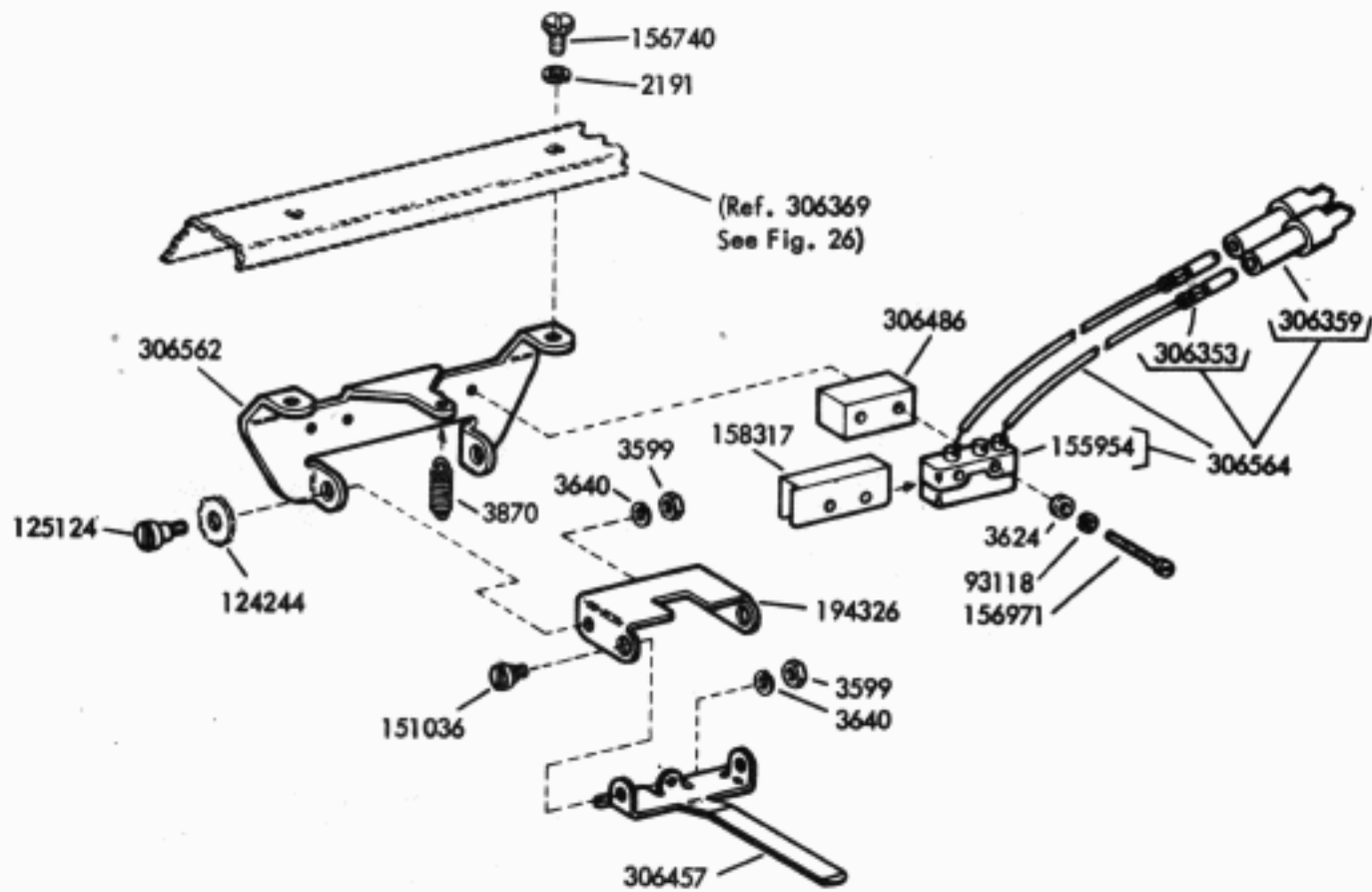


FIGURE 38. 306566 MODIFICATION KIT TO EQUIP FRICTION FEED PRINTER WITH A PAPER-OUT ALARM

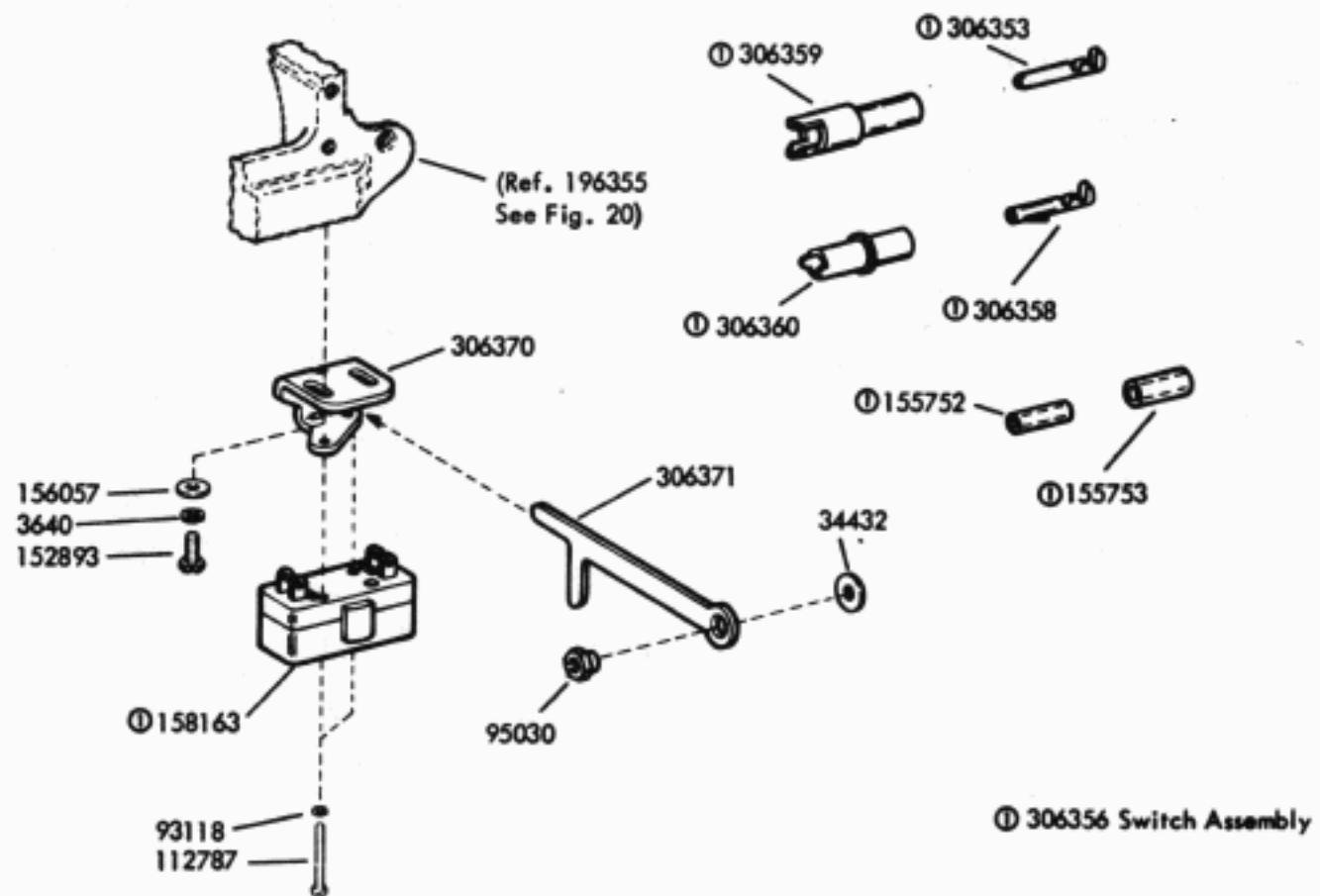


FIGURE 39. 306402 MODIFICATION KIT TO PROVIDE HORIZONTAL TABULATOR TRANSMITTER CONTROL FOR PRINTER

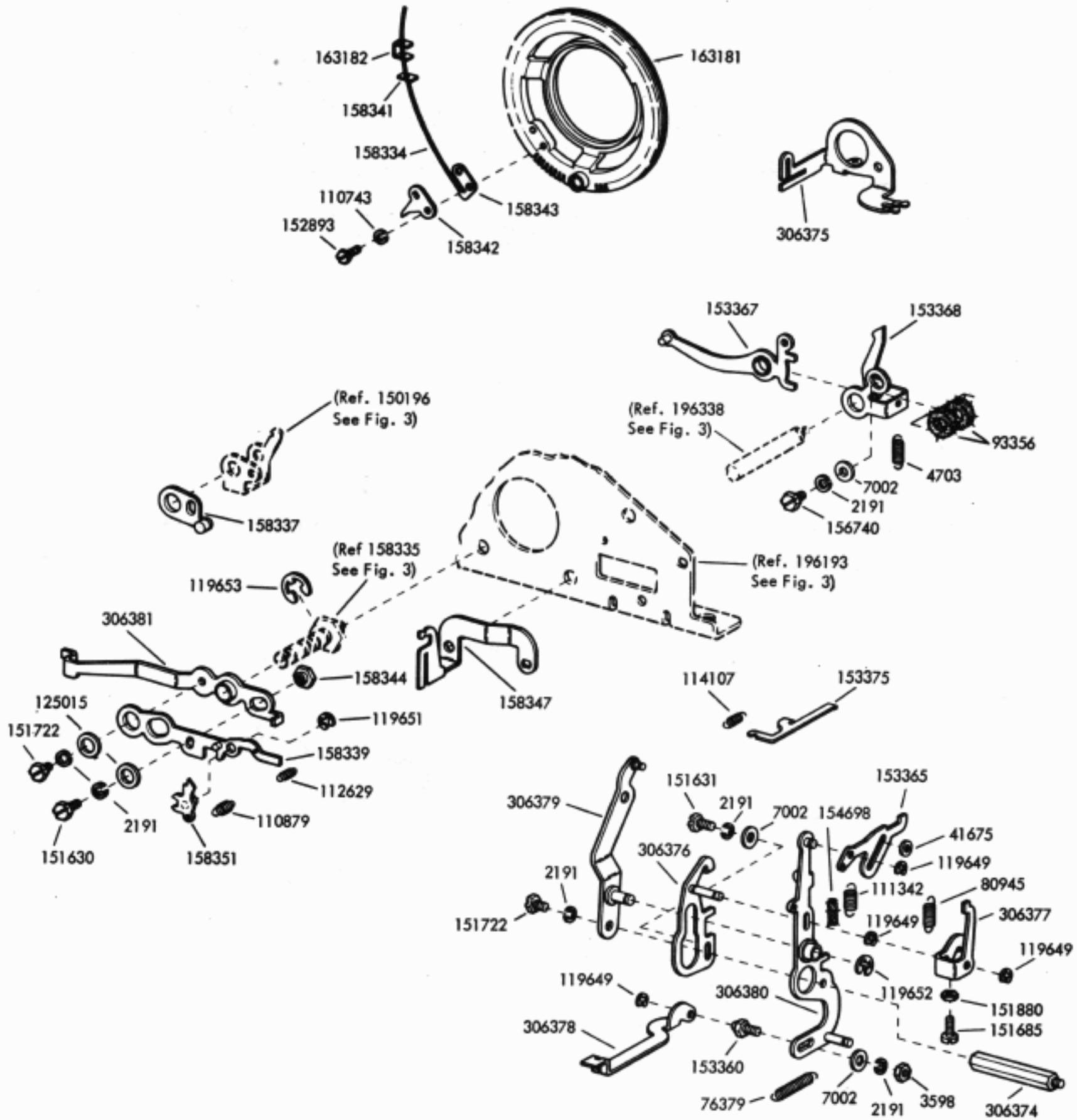


FIGURE 40. 306401 MODIFICATION KIT TO ADD HORIZONTAL TABULATOR (12 SPACES PER INCH)

NUMERICAL INDEX

Part Number	Description and Page Number	Part Number	Description and Page Number	Part Number	Description and Page Number
271M	Coil, Magnet 24	72468	Spring 27	104463	Screw, 4-40 x 1/4 Hex 18
297M	Coil, Magnet 33, 34	72522	Wick, Felt 32	104807	Washer, Flat 7
1118	Screw, 6-40 Shoulder 3	72579	Washer, Flat 28	107116	Washer, Lock 2
1214	Screw, 10-32 Set 5	73175	Washer, Lock 20, 29	108199	Wick, Felt 20
1268	Screw, 6-40 x 5/16 Flat 3	73520	Wick, Felt 5	110334	Screw, 4-40 Shoulder 36
1293	Screw, 4-40 x 1/8 Fil 34	74283	Washer, Spring 23	110434	Screw, 4-40 x 3/16 Fil 16
2034	Washer, Flat 10	74536	Screw, 6-40 Set 23	110435	Nut, 4-40 Hex 21
2191	Washer, Lock 2 to 8, 10 to 15, 17 to 31, 33 to 38	74547	Collar 3, 20	110743	Washer, Lock 5, 18, 19, 23, 24, 27, 28, 30, 31, 38
2201	Nut, 5/16-32 Hex 28	74553	Wick, Felt 15	110872	Spring, Compression 5
2438	Washer, Flat 24	74701	Spring 20	110879	Spring 38
2449	Washer, Lock 23	74755	Washer, Felt 3, 22	111342	Spring 38
2539	Nut, 3/8-32 Hex 20, 29	74760	Spring 13	111640	Screw, 2-56 x 7/32 Fil 12
2605	Spring 23	74785	Roller 20	111767	Washer, Flat 20
2669	Washer, Flat 4, 35	74882	Spring 7	112626	Nut, 10-32 Hex 3, 4, 5, 9, 12, 13, 21, 22, 35
2760	Spring 12	75229	Spring 5	112627	Nut, 2-56 Hex 15, 33, 34
3288	Washer, Flat 2	75607	Washer, Flat 4, 21	112629	Spring 38
3598	Nut, 6-40 Hex 2, 3, 4, 5, 6, 10, 11, 12, 13, 17, 18, 20, 21, 23, 24, 25, 26, 28, 29, 35, 38	76081	Washer, Flat 24	112630	Spring 2, 3
3599	Nut, 4-40 Hex 7, 23, 24, 27, 31, 33, 34, 37	76099	Washer, Flat 24	112634	Spring 26, 33
3606	Nut, 6-40 Hex 3, 4, 7, 14, 30, 36	76296	Spring 2	112787	Screw, 2-56 x 5/8 Fil 37
3624	Washer, Flat 12, 33, 34, 37	76379	Spring 38	113077	Post, Spring 14
3640	Washer, Lock 2, 3, 7, 8, 10 to 19, 21, 22, 23, 25, 27, 28, 29, 33, 34, 37	76421	Spring 23	113441BK	Jumper, 1-1/4" Black 30
3646	Washer, Lock 21, 28	76422	Spring 12	114107	Spring 33, 34, 38
3649	Washer, Flat 23	76461	Washer, Flat 6	115122	Washer, Felt 8, 28
3870	Spring 37	76806	Spring 2	115529	Screw, 6-40 x 11/16 Fil 35
4703	Spring 20, 31, 38	79012	Insulator 24	117541	Washer, Flat 4
4704	Spring 10	80758	Spring 12	119648	Ring, Retaining 8, 10, 11, 15, 23, 33, 34, 35
4708	Spring 27	80945	Spring 38	119649	Ring, Retaining 2, 5, 6, 28, 32, 33, 34, 35, 38
5599	Nut, 8-32 Hex 28	81731	Spring 2, 3, 4, 7	119650	Ring, Retaining 7, 11, 13
5740	Screw, 2-56 x 1/4 Fil 30	81778	Screw, 4-40 x 3/16 Fil 24	119651	Ring, Retaining 2, 3, 8, 12, 13, 15, 25, 26, 27, 33, 34, 38
6800	Screw, 6-40 Shoulder 20	82249	Washer, Flat 7, 10, 13	119652	Ring, Retaining 2, 3, 5, 6, 7, 12, 13, 20, 21, 23, 25, 26, 29, 33, 34, 38
6970	Nut, 3/8-32 Hex 7	82713	Screw, 4-40 x 9/32 Hex 21	119653	Ring, Retaining 4, 5, 6, 9, 20, 23, 30, 33, 34, 38
7001	Washer, Flat 20	82861	Spring 2	119654	Ring, Retaining 2, 20
7002	Washer, Flat 2 to 6, 8, 12, 13, 15, 20 to 29, 33, 34, 35, 36, 38	83497	Washer, Flat 3	119935	Washer, Lock 28
7603	Spring 20	83877	Spring 30	120824	Washer, Felt 17
8330	Washer, Flat 2, 3, 6, 20, 23, 30, 33, 34	84592	Shim, .004" Thk 3, 4	121100	Spring 33, 34
8449	Spacer, .094" Thk 20	84758	Spring 36	121242	Clamp, 1/8 ID Cable 21
22015	Spring 34	85318	Washer, Leather 23	121243	Clamp, 3/16 ID Cable 3, 24
27425	Screw, 2-56 x 5/32 Fil 15	86079	Washer, Felt 7, 33, 34	121538	Terminal 24
31636	Spring 14	86304	Spring 26, 36	124244	Washer, Felt 37
34432	Washer, Flat 21, 37	89096	Washer, Felt 15	124681	Screw, 6-40 Set 27
35826	Washer, Flat 35	89897	Nut, 10-32 Hex 4, 5	125005	Screw, 2-56 x 3/16 Rd 6
36318	Washer, Flat 12	90054	Spring 12, 21, 35	125011	Washer, Flat 4, 6, 7, 12, 16, 22, 23, 27, 28, 29, 30, 31, 33, 34
36358	Spring 23	90260	Spring 12	125015	Washer, Flat 20, 21, 24, 35, 38
41382	Spring 23, 35	90361	Washer, Felt 33, 34	125124	Screw, 4-40 Shoulder 37
41385	Spring 3	90437	Wick, Felt 23	125236	Spring 21
41663	Washer, Flat 3	90504	Washer, Felt 6, 30	125238	Spring 5
41675	Washer, Flat 38	90517	Spring 32	125241	Spring 24
42661	Spring 12, 33, 34	90679	Washer, Felt 26	125253	Spring 33, 34
42823	Washer, Flat 19	90749	Shim, .010" Thk 6	125733	Washer, Flat 20
42827	Screw, 3-48 x 1/4 Fil 14, 24	90791	Washer, Lock 15	125802	Washer, Flat 8, 11, 12, 28
45104	Spring 8, 13	90819	Washer, Felt 4, 20, 21, 29	126815	Screw, 2-56 x 15/64 Hex 30, 33, 34
45815	Washer, Lock 3, 4, 5, 9, 12, 13, 21, 22, 28	91120	Spring 7	129098	Screw, 6-40 x 11/32 Flat 14
55088	Spring 20	92682	Nut, 4-40 Spl 25	130696	Washer, Felt 7
70314	Washer, Flat 23	93117	Washer, Lock 6, 12, 15, 30	131017	Washer, Felt 21
70388	Spring 20	93118	Washer, Lock 33, 34, 36, 37	135716	Spring 20
71073	Washer, Flat 30	93356	Washer, Felt 2, 20, 29, 38	138034	Plate, Clamp 36
71156	Shim, .010" Thk 23	93582	Washer, Flat 21, 29	142274BK	Jumper, 2-1/2" Black 30
		93758	Washer, Felt 20		
		95030	Nut, 6-40 Shoulder 37		
		96717	Screw, 4-40 Shoulder 23		
		97481	Wick, Felt 29		
		97981	Spacer 3		
		98832	Screw, 4-40 x 11/16 Fil 17		
		100759	Screw, 4-40 x 3/16 Flat 4		
		100832	Screw, #0 x 3/16 Drive 6		
		101386	Spring 28		
		101796	Washer, Felt 2, 3		
		103863	Spacer, .055" Thk 31		

NUMERICAL INDEX (Continued)

Part Number	Description and Page Number	Part Number	Description and Page Number	Part Number	Description and Page Number
145321	Tie, Cable 21	150544	Handle 30	151632	Screw, 6-40 x 3/8 Hex 19, 23
150000	Drum, Clutch 18, 19	150545	Bracket, Right 2	151637	Screw, 4-40 x 1/4 Fil 30
150001	Drum, Clutch 18	150547	Shaft 30	151657	Screw, 6-40 x 1/4 Fil 23, 26, 30, 35
150029	Wick, Felt 9, 13, 18, 19	150642	Bellcrank 28	151658	Screw, 6-40 x 5/16 Fil 4
150034	Disk, 2 Stop Clutch 18, 19	150646	Screw, 6-40 Shoulder 28, 36	151685	Screw, 4-40 x 5/16 Fil 2, 7, 20, 21, 28, 29, 38
150040	Screw, 6-40 x 5/8 Fil 2, 3, 11, 20, 34	150647	Eccentric 28	151686	Screw, 4-40 x 3/8 Fil 5, 24
150043	Shoe, Secondary Clutch 9, 13, 18, 19	150648	Eccentric 28	151688	Screw, 4-40 x 5/8 Fil 24
150044	Shoe, Primary Clutch 9, 13, 18, 19	150649	Washer, Spacing 28	151689	Screw, 4-40 x 3/4 Fil 27, 30
150045	Bearing, Clutch Sleeve 18, 19	150654	Guide 3	151692	Screw, 6-40 x 3/16 Fil 26, 30
150078	Nut, 4-40 Shoulder Hex 16	150668	Collar, Spacing 5	151703	Pin 27
150079	Stud 16	150673	Shaft 4	151714	Spring 23
150089	Screw, 4-40 x 1/2 Fil 5, 24	150677	Pawl, Feed 5	151721	Screw, 6-40 x 3/4 Hex 17, 29
150193	Hub 5	150678	Pawl, Feed 5	151722	Screw, 6-40 x 3/16 Hex 2, 3, 4, 23, 33, 38
150196	Bail 5, 38	150685	Plate 27	151724	Screw, 10-32 x 5/8 Hex 3
150197	Stud 22	150689	Block, Guide 30	151728	Spring 23
150203	Retainer 5	150705	Bushing 15	151732	Screw, 4-40 x 11/32 Fil 19, 22, 23
150206	Spacer, .412" Thk 22	150712	Rope, Draw Wire 22	151733	Screw, 4-40 x 9/16 Fil 18, 19
150224	Pulley 15	150719	Retainer 28	151736	Spring 18, 19
150228	Spacer, .035" Thk 5	150720	Retainer 28	151737	Screw, 4-40 x 11/64 Hex 15, 18, 19, 28
150229	Retainer 5	150781	Stud 26	151739YAB	Screw, Identification 30
150233	Roller 5	150796	Disk 22	151794	Washer, Spring 19
150234	Roller 5	150803	Spring, Flat 27	151880	Nut, 4-40 Hex 3, 4, 5, 10, 13, 15, 20, 25, 36, 38
150235	Slide, Transfer 5	150804	Finger, Paper 27	152089	Latch 32
150237	Lever, Escapement 6	150815	Bushing 27	152129	Spring 12
150241	Spring 9, 13, 18, 19, 23	150821	Spacer, .156" Thk 33	152140	Bail 26
150265	Shaft 27	150826	Guide, Paper Finger 27	152147	Bearing, Ball 15
150266	Lever, Guide 27	150830	Bushing, Shoulder 18, 19	152412	Link 23
150267	Clamp 27	150831	Ring, Retaining 18, 19	152415	Stud, Adjusting 24
150269	Roller, Pressure 27	150841	Bearing 18, 19	152420	Lamination, Magnet 24
150270	Link 27	150843	Plate, Hook 22	152421	Bracket, Shield Mounting 24
150271	Arm, Release 27	150891	Block 2	152423	Bracket, Armature Stop Mounting 24
150274	Bracket, Clamp 27	150895	Arm, Trip 20	152425	Post, Spring 24
150276	Lever 27	150903	Block, Left Paper Spindle 29	152426	Nut, 6-40 Self-Locking 24
150289	Stud 14	150904	Block, Right Paper Spindle 29	152427	Latch w/Hub 23
150293	Plate, Retaining 14	150907	Spindle, Paper 29	152441	Washer, Flat 23
150301	Plate, Retaining 14	150909	Screw, 6-40 Shoulder 6	152458	Shield, Terminal 24
150302	Shim, .006" Thk 14	150923	Washer, Felt 7, 20	152523	Spring, Washer 33, 34
150304	Bracket, Guide 14	150926	Washer, Felt 15	152524	Bracket 33, 34
150335	Gear, 12T 34	150932	Bushing, Shoulder 33, 34	152525	Hub 33, 34
150336	Bushing 33, 34	150937	Lever 34	152526	Plate, Right 33
150343	Lever 34	150961	Bushing, Eccentric 3	152527	Plate, Left 34
150344	Lever 33	150970	Bearing, Ball 17	152528	Ratchet, Left Ribbon 34
150348	Shaft 20	150975	Cup, Dashpot 5	152529	Ratchet, Right Ribbon 33
150351	Stud, Eccentric 3	150978	Screw, 6-40 x 1-1/8 Fil 24	152537	Clamp 17
150352	Bushing 20	150987	Spacer, .090" Thk 5	152547	Shaft 30
150355	Lever, Latch 20	150990	Washer, Felt 2, 26	152571	Spacer, .250" Thk 34
150356	Lever, Trip 20	151036	Screw, 4-40 Shoulder 37	152573	Retainer 17
150377	Arm 26	151073	Screw, 4-40 x 5/32 Fil 13	152574	Plate 14
150391	Spacer, .095" Thk 18	151152	Screw, 4-40 x 3/16 Hex 2, 3, 7, 8, 11, 12, 14, 18, 23, 25, 33, 34	152582	Shaft 34
150398	Stud, Pivot 29	151233	Spacer, .065" Thk 12	152583	Bearing, Sleeve 25
150401	Clamp 3	151338	Spacer, .075" Thk 4	152589	Clamp 3
150414	Bushing 29	151346	Screw, 6-40 x 3/8 Fil 3, 11, 13, 17, 22, 28, 33	152593	Housing, Bearing 2
150419	Shaft 29	151442	Screw, 6-40 x 1/2 Hex 6, 34	152629	Washer, Friction 33, 34
150423	Stud, Pivot 29	151548	Spring, Compression 23	152641	Lever, Function 32
150431	Lever, Trip 20	151603	Spacer 24	152642	Lever, Function 32
150432	Washer, Flat 34	151610	Washer, Flat 19	152651	Plate, Guide 30
150436	Bushing 4, 27, 34	151618	Screw, 6-40 x 7/16 Fil 14	152652	Bar, Guide 30
150471	Stud 25	151619	Bushing 22	152653	Pawl, Function 32
150479	Stud 23	151626	Terminal 24, 30	152660	Plate, Spring 32
150482	Plate 25	151629	Nut, 6-40 Lug 2, 3, 6, 20, 30	152723	Spring 27
150507	Spring 25	151630	Screw, 6-40 x 1/4 Hex 2, 3, 4, 5, 6, 8, 14, 15, 17, 20, 21, 23, 27, 29, 33, 34, 38		
150536	Spring 5	151631	Screw, 6-40 x 5/16 Hex 3, 4, 6, 11, 21, 22, 24, 25, 33, 34, 35, 36, 38		
150537	Ball, Bearing 5, 14				
150538	Cylinder, Dashpot 5				
150543	Screw, 3-48 x 13/32 Fil 30				

NUMERICAL INDEX (Continued)

Part Number	Description and Page Number	Part Number	Description and Page Number	Part Number	Description and Page Number
152725	Spring 27	154310	Spring 22	158342	Arm 38
152818	Lever, Left Detent 34	154352	Spring 9, 13	158343	Bracket, Spring 38
152819	Lever, Right Detent 33	154380	Bracket w/Post 14	158344	Nut, 6-40 Shoulder 38
152826	Pin, Detent 33, 34	154389	Cam, Eccentric 5	158347	Bracket 38
152832	Shaft 27	154516	Ratchet 22	158351	Pawl w/Stud 38
152834	Spring, Torsion 33, 34	154623	Ring, Retaining 22	158353	Bail, Stop 20
152871	Spring 28	154627	Drum, Spacing 22	158354	Arm, Extension 20
152889	Plate, Retaining 30	154668	Shaft 32	158365	Blade, Reset 29
152893	Screw, 4-40 x 1/4 Hex 12, 15, 23, 29, 33, 34, 37, 38	154688	Spring 29	158893	Post, Spring 21
152927	Bushing 35	154698	Wick, Felt 38	158907	Spring 23, 25
152938	Spacer, .125" Thk 35	154765	Modification Kit 35	158923	Bearing, Sleeve 18
152943	Screw, 10-32 Spl 35	154872	Bracket 2	158924	Disk 18
153184	Post 24	155046	Screw, 4-40 x 15/32 Hex 18, 19	159341	Bearing, Ball 17
153185	Gear, 30T 35	155099	Screw, 6-40 Shoulder 30	159597	Washer, Flat 7
153188	Screw, 6-40 Shoulder 35	155446	Pallet, Type 16	160180	Armature w/Extension 24
153189	Spring, Compression 35	155589	Plate w/Stud 25	160184	Plate, Stop 24
153192	Spring, Torsion 35	155736	Lever, Function 32	160186	Bushing, Shoulder 24
153196	Handwheel 35	155737	Lever, Function 32	160486	Bail 35
153203	Gear, 66T 35	155752	Sleeve, 5/64 ID x 1/2 Lg Insulating 30, 36, 37	160490	Pawl 35
153235	Plate 19	155753	Sleeve, 1/8 ID x 1/2 Lg Insulating 33, 34, 37	160499	Lever, Blocking 35
153262	Arm 36	155754	Sleeve, 1/16 ID x 1/2 Lg Insulating 30	160500	Lever, Blocking 35
153294	Cam 30	155865	Stud 29	160502	Slide, Form Out 35
153295	Shaft 30	155933	Plate, Guide 31	160503	Slide, Tab 35
153298	Bracket, Right 30	155934	Plate 31	160510	Disk, Retaining 35
153299	Bracket, Left 30	155935	Fork w/Post 31	160532	Spring 35
153301	Arm 30	155938	Slide 31	160578	Sleeve, Pinion 35
153304	Bushing, Shoulder 3	155954	Switch, Sensitive 37	160626	Insulator, .031" Thk 36
153305	Spring, Torsion 26	156057	Washer, Flat 18, 19, 33, 34, 37	160627	Bushing, Insulating 36
153311	Arm 26	156450	Screw, 2-56 x 1/2 Fil 36	160628	Spring, Contact 36
153312	Lever 3	156467	Ring, Retaining 2	160630	Spring, Contact 36
153314	Bracket 26	156501	Screw, 6-40 x 7/32 Fil 8, 11, 13, 26	160631	Spring, Contact 36
153321	Bracket, Tie 14	156536	Screw, 4-40 x 1/8 Fil 23	160843	Spring 20
153322	Guide	156558	Washer, Felt 33, 34	161346	Washer, Felt 7, 33, 34
153360	Stud 38	156574	Post, Spring 30	161347	Washer, Felt 29
153365	Arm, Cam 38	156576	Washer, Felt 21	161440	Spring 15
153367	Arm 20, 38	156632	Screw, 6-40 x 13/32 Hex 2	162573	Retainer 18, 19
153368	Bail, Follower 20, 38	156740	Screw, 6-40 x 7/32 Hex 2, 3, 4, 5, 6, 12, 13, 14, 20, 21, 22, 25, 26, 29, 33, 35, 36, 37, 38	162728	Arm 26
153375	Arm, Slide 38	156875	Screw, 6-40 x 5/32 Fil 15, 27	162729	Bar, Guide 26, 35, 36
153538	Screw, 6-40 x 7/16 Hex 11, 17, 33, 35	156880	Jumper, 2-3/8" Black 24	162886	Screw, 4-40 x 7/32 Hex 7
153539	Screw, 6-40 x 11/16 Hex 2, 3, 6	156881	Jumper, 1-1/2" Black 24	163181	Wheel, Horizontal Tab 38
153553	Roller 29	156971	Screw, 2-56 x 3/4 Fil 37	163182	Bracket, Stop 38
153573	Bail 29	157194	Retainer, Spring 24	163948	Gear, 28T 28
153577	Washer, Felt 21, 29	157237	Shield, Terminal 24	163949	Bushing 28
153581	Handle 30	157238	Spring 16	163958	Washer, Flat 28
153582	Screw, 6-40 Shoulder 26	157240	Spring 32	163960	Bushing 28
153586	Guide 3	157289	Bar, Cross 27	164386	Bracket, Magnet Mounting 24
153587	Guide 2	157290	Bail, Pressure 27	164958	Screw, 4-40 x 1/2 Hex 33, 34
153604	Pawl, Function 32	157291	Guide, Rear Paper 27	170198	Arm, Stop 23
153609	Roller 31	157614	Pallet, Type 16	170232	Guide, Lower 23
153634	Collar 27	157726	Pallet, Type 16	170265	Spacer 4
153644	Stud 31	157790	Pallet, Type 16	171555	Connector, 50 Pt Plug 24, 30
153670	Lever, Function 32	157791	Pallet, Type 16	172566	Switch Asm 30
153676	Bail, Detent 3	157899	Arm, NC Contact 30	172575	Switch Asm 30
153689	Gear, 33T 28	157979	Link, Toggle 34	172576	Switch Asm 30
153692	Gear, 33T 28	158163	Switch, Sensitive 37	172586	Switch Asm 30
153799	Screw, 4-40 x 21/64 Hex 28	158182	Disk, Clutch Cam 18, 19	172591	Spring, Contact Arm 30
153817	Screw, 4-40 x 3/8 Hex 5, 15, 17, 27, 33, 34	158317	Insulator, Switch 37	172595	Plate, Contact 30
153819	Washer, Lock 14, 24	158334	Spring, Torsion 38	172597	Block, Contact 30
153823	Collar 17	158335	Stud 5, 38	173450	Cable w/Terminals 24
153824	Clamp 17	158337	Plate w/Pin 5, 38	173807	Screw, 6-40 Set 3, 20
153839	Screw, 6-40 x 5/8 Hex 20, 30	158339	Arm w/Pin 38	173902	Spring, Compression 14
153841	Screw, 6-40 x 9/16 Hex 2, 6, 10, 29	158341	Plate, Stop 35, 38	173974	Screw, 10-32 x 5/16 Hex 13, 17
153883	Gear, 33T 19			176247	Bail, Blocking 32
153884	Gear, 11T 4			179194	Bracket 35
				179675	Bracket 34
				179676	Lever, Left Guide 34
				179677	Shaft, Ribbon Spool 33, 34

NUMERICAL INDEX (Continued)

Part Number	Description and Page Number	Part Number	Description and Page Number	Part Number	Description and Page Number
179678	Lever 33, 34	196088	Lever, Trip 7	196236	Bar, #6 and #8 Code 14
179681	Post 33, 34	196089	Screw, 4-40 Shoulder 7	196238	Bar 14
179682	Bail, Left Roller 34	196091	Guide, Hammer 7	196239	Bracket 15
179686	Bracket, Right 33	196092	Plunger 7	196240	Spring, Flat 10, 15
179687	Lever, Right Guide 33	196094	Head, Print Hammer 7	196241	Plate 10, 15
179689	Bracket, Left 34	196095	Bracket 7	196242	Bail 10
179690	Plate 34	196096	Clamp, Cable 7	196245	Washer, Flat 6
179692	Spacer 33, 34	196098	Bracket 25	196247	Stud 6
179694	Bail, Right Roller 33	196106	Shaft 25	196248	Bracket, Spring 22
179695	Bracket, Left Magnet 34	196108	Bracket 14	196249	Pulley 6
179696	Bracket, Left Hinge 34	196112	Plate 14	196250	Pulley 6
179697	Lever, Left Stop 34	196113	Pin, Roll 25	196251	Rail, Guide 6
179698	Armature 33, 34	196115	Bracket 14	196252	Post 4, 6
179699	Shaft 33, 34	196116	Guide, Eccentric 25	196255	Bracket, Mounting 6
179700	Bracket, Right Hinge 33	196117	Washer, Felt 25	196256	Shaft, Rocker 6
179701	Lever, Right Stop 33	196118	Link w/Studs 25	196258	Lever 11
179702	Bracket, Right Magnet 33	196121	Lever, #1 Transfer 25	196259	Post 3, 5
179703	Bracket 33	196122	Lever, #2 Transfer 25	196262	Link 9, 10
179704	Shaft, Right 33	196123	Lever, #3 Transfer 25	196264	Link w/Stud 2, 6
179708	Plate, Adjusting 33	196124	Lever, #4 Transfer 25	196265	Clamp 6
179782	Screw, 6-40 x 7/8 Hex 2, 23	196125	Lever, #5 Transfer 25	196266	Clamp 6
179999	Bail, Spring 33, 34	196126	Lever, #6 Transfer 25	196268	Spring 22
181204	Washer, Flat 3	196127	Lever, #7 Transfer 25	196269	Rope, Wire 22
181521	Spring 33, 34	196128	Lever, #8 Transfer 25	196271	Guide 2
192997	Bracket 34	196131	Lever, Front 25	196272	Spacer 2
194052	Plate, Form Stop 35	196132	Lever, Rear 25	196274	Gear, 22T 2, 3
194326	Bracket, Switch 37	196133	Roller 25	196278	Block, Guide 2
194868	Gear, 48T 19	196134	Screw, 6-40 x 1-1/4 Flat 25	196279	Block, Guide 3
194870	Gear, 16T 28	196144	Wick, Felt 11	196280	Spacer 2
194871	Disk, 6 Stop 19, 28	196145	Post 8, 11	196281	Spacer 3
194872	Disk, 6 Stop 19	196148	Pinion, 32T 11	196282	Screw, 6-40 Shoulder 3
194956	Spring 19	196149	Gear, 40T 9	196283	Screw, 6-40 Shoulder 2
195200	Pallet, Type 16	196159	Washer, Thrust 8	196285	Lever w/Stud 3
196007	Link 10	196160	Cam 19	196286	Guide 2, 3
196009	Shaft 10	196162	Drum, Clutch 9, 13	196331	Screw, 6-40 Eccentric 15
196010	Link w/Post 10	196166	Bearing, Thrust 8	196332	Plate, Clamp 15
196014	Plate 8, 11	196168	Latch w/Bushing 8	196333	Track 15
196017	Spacer, .156" Thk 10	196172	Plate, Horizontal Positioning 8	196335	Gear, 84T 17
196018	Bushing 8, 10, 11	196175	Plate, Horizontal Positioning 8	196336	Post 17, 21
196024	Spacer, .083" Thk 18	196178	Plate, Horizontal Positioning 8	196337	Post 21
196032	Shaft w/Arm 2	196179	Lever, Shoe Release 9	196338	Shaft 20, 21, 38
196036	Ring, Retaining 18	196182	Slide 8, 11	196339	Post, Spring 3
196037	Lever, Cam Follower 20	196184	Bearing, Ball 4, 8, 12	196342	Bar, Function 31
196040	Clutch Asm, Function 17, 19	196187	Lever w/Bushing 11	196344	Link w/Stud 2
196043	Lever, Latch 20	196188	Bail w/Pin 11	196351	Shaft, Cam 29
196048	Clutch Asm, Spacing 17, 19	196189	Bail w/Pin 11	196352	Bracket, Spring 21
196049	Cam, Spacing 19	196191	Bearing, Ball 10	196353	Collar 17
196050	Clutch Asm, Code Bar 17, 18	196193	Plate, Front 4, 5, 9, 11, 36, 38	196354	Plate, Stop 21
196052	Cam, Trip 18	196196	Link Asm, Right 10	196355	Bracket 21, 37
196053	Clutch Asm, Printing 17, 18	196197	Link Asm, Left 10	196357	Link w/Studs 21
196054	Cam 19	196203	Guide 8, 11, 12	196361	Bracket, Spring 21
196057	Cam 18	196205	Latch w/Bushing 8	196362	Lever, Trip 20
196058	Clamp 2, 3	196208	Plate 8	196363	Lever, Latch 20
196059	Clamp 3	196210	Post 4, 8, 11	196366	Slide 15
196066	Frame, Carriage 7	196214	Screw, 4-40 Shoulder 10, 13	196367	Plate, Clamp 15
196068	Pin 7	196215	Screw, 4-40 Shoulder 10, 13	196369	Housing 11, 26
196072	Shaft 7	196216	Ring, Retaining 19	196371	Clamp 21, 30
196073	Lever 7	196218	Screw, 4-40 Shoulder 10	196373	Bearing, Ball 15
196074	Lever, Hammer 7	196220	Bearing, Sleeve 18, 19	196375	Link 29
196075	Plate 7	196223	Shaft, Main 17	196376	Link 21
196079	Bracket 7	196226	Spacer 19	196377	Lever w/Roller 2
196080	Plate w/Roller 7	196230	Bracket, Left 14	196378	Lever w/Roller 2
196082	Roller 7	196231	Bar, #1 and #5 Code 14	196382	Bracket w/Bearing 29
196083	Stud, Eccentric 7	196232	Bar, #2 Code 14	196384	Bracket 26, 36
196084	Stud 7	196233	Bar, #3 Code 14	196386	Plate, Right 6
196085	Stud 7	196234	Bar, #4 Code 14	196387	Plate, Left 4, 6
196086	Lever, Latch 7	196235	Bar, Suppression Code 14	196392	Link 21, 29

NUMERICAL INDEX (Continued)

Part Number	Description and Page Number	Part Number	Description and Page Number	Part Number	Description and Page Number
196399	Bushing 21	306125	Lever, Lift 23	306268	Latch w/Bushing 8
196402	Lever w/Stud 13	306126	Bracket, Guide 23	306269	Post 20
196405	Link w/Bushing 13	306127	Lever, Start 23	306270	Bearing 6
196406	Link w/Stud 13	306128	Lever, #2 thru #8 Selector 23	306271	Plate, Nut 15
196407	Link w/Stud 13	306129	Plate, Selector 23, 24	306273	Screw, 8-32 Adjusting 15
196408	Link w/Stud 13	306130	Lever, #1 Selector 23	306274	Clamp, Typebox 15
196413	Slide 12	306131	Plate w/Studs 23	306275	Bar, Line Feed 28
196420	Link w/Post 13	306132	Post, Guide 23	306278	Arm, Follower 20
196421	Link w/Bearing 13	306148	Lubricator Asm 23	306279	Clamp, Trip Lever 20
196423	Spacer 13	306153	Stud 23	306280	Lever, Trip 20
196424	Shoe 13	306154	Bracket 23	306281	Lever, Latch 20
196425	Screw, 4-40 Shoulder 13	306156	Screw, 1/4-20 Spl 23	306282	Housing w/Bearing 2
196426	Sleeve 13	306158	Arm 23	306284	Shaft w/Arm 2, 25
196427	Post w/Plate 13	306160	Clutch Asm, Selector 17, 18	306286	Block w/Bearing 2
196428	Lever, Shoe Release 13	306163	Brace 3	306290	Arm, #1, #2 and #3 25
196430	Latch 13	306166	Follower, Trip Cam 3, 23	306291	Arm, #4 and #5 25
196431	Link 13	306167	Post, Spring 2	306292	Arm, #6, #7 and #8 25
196433	Link Asm 13	306168	Guide 23	306297	Post 25
196435	Gear, 17T 13	306169	Bushing 23	306298	Arm, Stop 25
196436	Gear, 24T 17	306172	Bracket, Trip 3	306299	Bracket 25
196437	Gear, 34T 13	306173	Shaft 3	306300	Camsleeve 18
196440	Disk 17	306174	Bail 3	306314	Disk w/Gear 23
196441	Disk 17	306175	Link 3	306315	Arm 23
196442	Washer, Felt 17	306176	Latch 21	306316	Modification Kit 1, 36
196450	Bail w/Bushing 12	306177	Stud 21	306317	Bail 36
196452	Guide 12	306179	Slide 26	306324	Arm w/Hub 28
196454	Plate 12, 13	306181	Drum, Spring 22	306326	Shaft w/Gear 28
196456	Plate 3, 13	306185	Lever 26	306328	Handwheel 28
196457	Bracket w/Post 12, 13	306186	Bail 26	306329	Lever 28
196461	Bushing 13	306190	Frame, Right Side 2, 17, 25	306330	Post, Spring 28
196464	Spacer 13, 28	306191	Frame, Left Side 3, 17, 35	306331	Spring, Torsion 3
196465	Shaft 28	306197	Spring 7	306333	Knob, Adjusting 7
196466	Track 13	306201	Bar, Function 31	306334	Screw, 6-40 Shoulder 7
196467	Pracket 13	306202	Bar, Function 31	306335	Spring 7
196468	Rack, 17T Right 2	306203	Bar, Function 31	306353	Terminal, Plug Type 30, 33, 34, 36, 37
196469	Rack, 17T Left 3	306204	Bar, Function 31	306354	Cable Asm 30
196474	Plate w/Bushing 3, 30	306205	Bar, Function 31	306356	Switch Asm 37
196476	Ring, Retaining 22	306206	Bar, Function 31	306357	Insulator 24
196478	Bracket, Stop 12	306207	Bar, Function 31	306358	Terminal, Receptacle Type 30, 36, 37
196480	Plate, Trip 12	306208	Bar, Function 31	306359	Housing, Pin 30, 33, 34, 36, 37
196484	Plate w/Post 12	306209	Bar, Function 31	306360	Housing, Socket 30, 36, 37
196485	Toggle 12	306210	Bar, Function 31	306361	Post, Spring 27
196486	Link 12	306211	Bar, Function 31	306362	Bearing, Sleeve 28
196487	Follower, Eccentric 12	306212	Bar, Function 31	306363	Spacer 28
196488	Pawl, Check 12	306213	Bar, Function 31	306364	Lever 27
196489	Pawl, Feed 12	306214	Bar, Function 31	306367	Platen 28
196490	Gear, 40T 12	306215	Bar, Function 31	306369	Guide 27, 37
196495	Ratchet 12	306216	Bar, Function 31	306370	Bracket, Mounting 37
196505	Lever, Push 23	306217	Bar, Function 31	306371	Link 37
196584	Spacer, Clutch 18	306218	Bar, Function 31	306374	Post 38
197996	Roller, Front 33, 34	306219	Bar, Function 31	306375	Bracket 38
199440	Screw, 6-40 x 5/8 Fil 18, 19	306221	Bar, Function 31	306376	Plate w/Stud 38
304460	Spring 30	306222	Link 9, 10	306377	Bail, Latch 38
304461	Bushing 30	306223	Link 9, 10	306378	Arm, Slide 38
305473	Bail 36	306224	Link 9, 10	306379	Bracket w/Studs 38
305541	Slide, Stripper 30	306226	Bracket, Guide 12	306380	Lever w/Bushing 38
306102	Shaft 23	306235	Gear, 30T 17	306381	Latch 38
306107	Bracket 24	306236	Gear, 20T 11	306382	Plate w/Studs 35, 36
306109	Lever, #1 Push 23	306237	Rail 15	306386	Lever w/Stud 35
306112	Bracket, Spring 23	306240	Arm 15	306387	Lever w/Stud 35
306115	Bracket 23	306242	Block, Guide 4	306388	Lever w/Hub 35
306116	Lever, Auxiliary Push 23	306243	Bracket 4	306389	Lever w/Hub 35
306117	Lever, Auxiliary Strip 23	306244	Plate 15	306390	Pointer 35
306118	Bail, Stripper 23	306246	Bracket 24	306391	Bracket 36
306119	Bail, Start 23	306250	Roller, Rear 33, 34	306395	Magnet Asm 33, 34
306120	Lever, Mark Lock 23	306262	Bail w/Bushing 12	306401	Modification Kit 1, 38
306121	Rack, Sector 23	306265	Link 13		
306122	Lever, Space Lock 23				

NUMERICAL INDEX (Continued)

Part Number	Description and Page Number	Part Number	Description and Page Number	Page Number	Description and Page Number
306402	Modification Kit 1, 37	312931	Retainer, Wick 23	319693	Bail 36
306406	Modification Kit 1, 36	312932	Plate, Reservoir Top 23	319694	Pawl 36
306411	Bracket, Right 33	312938	Bail, Latch 25	319695	Hanger, Spring 4, 36
306412	Bracket, Left 34	312939	Bail, Latch 25	319696	Bracket 5, 36
306415	Lever 33, 34	312940	Bracket, Bail 25	319697	Bushing 15
306416	Plate, Right 6	312941	Shaft 25	319698	Screw, 4-40 x 11/64 Spl 4, 36
306417	Plate, Left 6	312972	Cam 18	319823	Arm 3
306418	Spacer 6	318777	Washer, .365" OD Sealing 23	319824	Bracket 3
306419	Bracket 33	319530		319825	Bracket, Guide 4
306420	Bracket 34		thru	319826	Clamp, Housing 3, 4
306421	Link 33, 34	319543	Pallet, Type 16	319827	Spring, Flexible Control 3, 4
306422	Bracket, Stop 26	319545		319830	Ratchet, 18T 22
306425	Bail, Left Lifter 34		thru	319832	Spacer 2
306426	Lever, Feed 33	319561	Pallet, Type 16	319833	Bail 2
306427	Lever, Feed 34	319563	Pallet, Type 16	319839	Lever 2
306428	Bail, Right Lifter 33	319564	Pallet, Type 16	319840	Roller 2
306457	Lever 37	319566		319841	Disk 2
306459	Spool, Ribbon 34		thru	319842	Hub 2
306486	Spacer 37	319570	Pallet, Type 16	319843	Lever 3
306488	Bracket 3	319573		319846	Post 3
306489	Ribbon w/Spool 34		thru	319847	Plate 3
306527	Blade, Bail 30	319579	Pallet, Type 16	319848	Disk 4
306529	Shaft 8, 11	319581	Pallet, Type 16	319849	Arm 15
306530	Bushing 8	319583		319850	Shaft w/Bearing 2, 3
306531	Guard 8		thru	319851	Spring 4
306539	Plate, Identification 6	319607	Pallet, Type 16	319852	Cam 18
306540	Plate, Identification 6	319609	Pallet, Type 16	319853	Post, Guide 4
306543	Link 5	319610	Pallet, Type 16	319854	Plate 4
306545	Lever 6	319621	Pallet, Type 16	319855	Post 4
306546	Lever 6	319623	Pallet, Type 16	319858	Arm 4
306547	Bracket 6	319625	Pallet, Type 16	319859	Screw, 6-40 Shoulder 4
306548	Bracket 6	319626	Pallet, Type 16	319861	Plate 4
306550	Post 5	319627	Pallet, Type 16	319862	Block, Guide 4
306554	Bail 5	319628	Pallet, Type 16	319863	Screw, 6-40 Spl 4
306558	Link 4	319629	Pallet, Type 16	319864	Spring, Torsion 3
306562	Bracket 37	319630		319866	Lever 34
306564	Switch Asm 37		thru	319867	Lever 33
306565	Cable 36	319637	Pallet, Type 16	319868	Plate, Stop 33, 34
306566	Modification Kit 1, 37	319671	Bail 26	319877	Bail w/Plate 12
306571	Screw, 4-40 x 3/16 Hex 16	319673	Guide, Right 27	319878	Bar, #1 Code 14
306572	Spring, Torsion 6	319674	Guide, Left 27	319881	Clutch Asm, Line Feed 17, 19
306573	Stop, Left 34	319675	Stud 27	319882	Plate, Front 16
306574	Stop, Right 33	319677	Bracket, Spring 17	319883	Plate, Rear 16
306575	Bracket, Left Stop 34	319678	Screw, 4-40 Shoulder 3	319884	Guide 16
306576	Bracket, Right Stop 33	319681	Spacer 2	319885	Box Asm, AYD Type 1, 16
306577	Link 33, 34	319682	Plate 12	319894	Lever, Function 32
306578	Bracket, Left 34	319683	Plate, Stop 3	319895	Latch 32
306579	Bracket, Right 33	319685	Pawl, Stop 11, 12	319896	Lever, Blocking 32
306598	Disk, Adjusting 18, 19	319686	Washer, Felt 7	319897	Guide, Bar 30
306599	Lever, Shoe Release 18, 19	319688	Latch 12	319898	Stud 32
307289	Lever 28	319689	Stop 12	319899	Bracket 3
312867	Disk 18	319690	Nut, 6-40 Spl 36	326020	Disk, Adjusting 19
312927	Bracket 23	319691	Lever 36	326023	Screw, 4-40 x 9/32 Hex 8, 11, 12
312928	Reservoir, Oil 23	319692	Link 36	326024	Roller, Detent 3, 4
312929	Wick, Leather 23				