

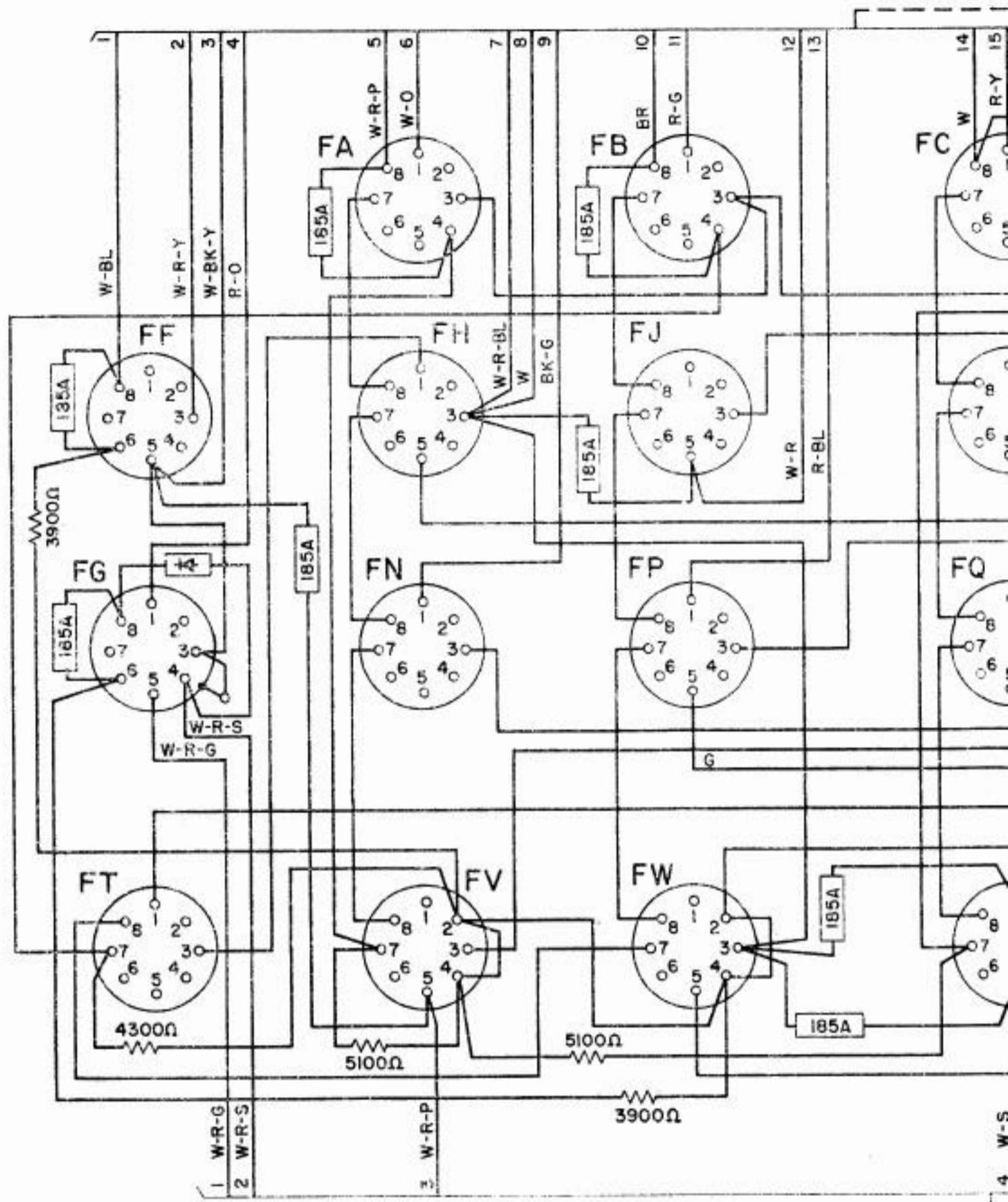
BELL SYSTEM PRACTICES
Teletypewriter and Data Stations

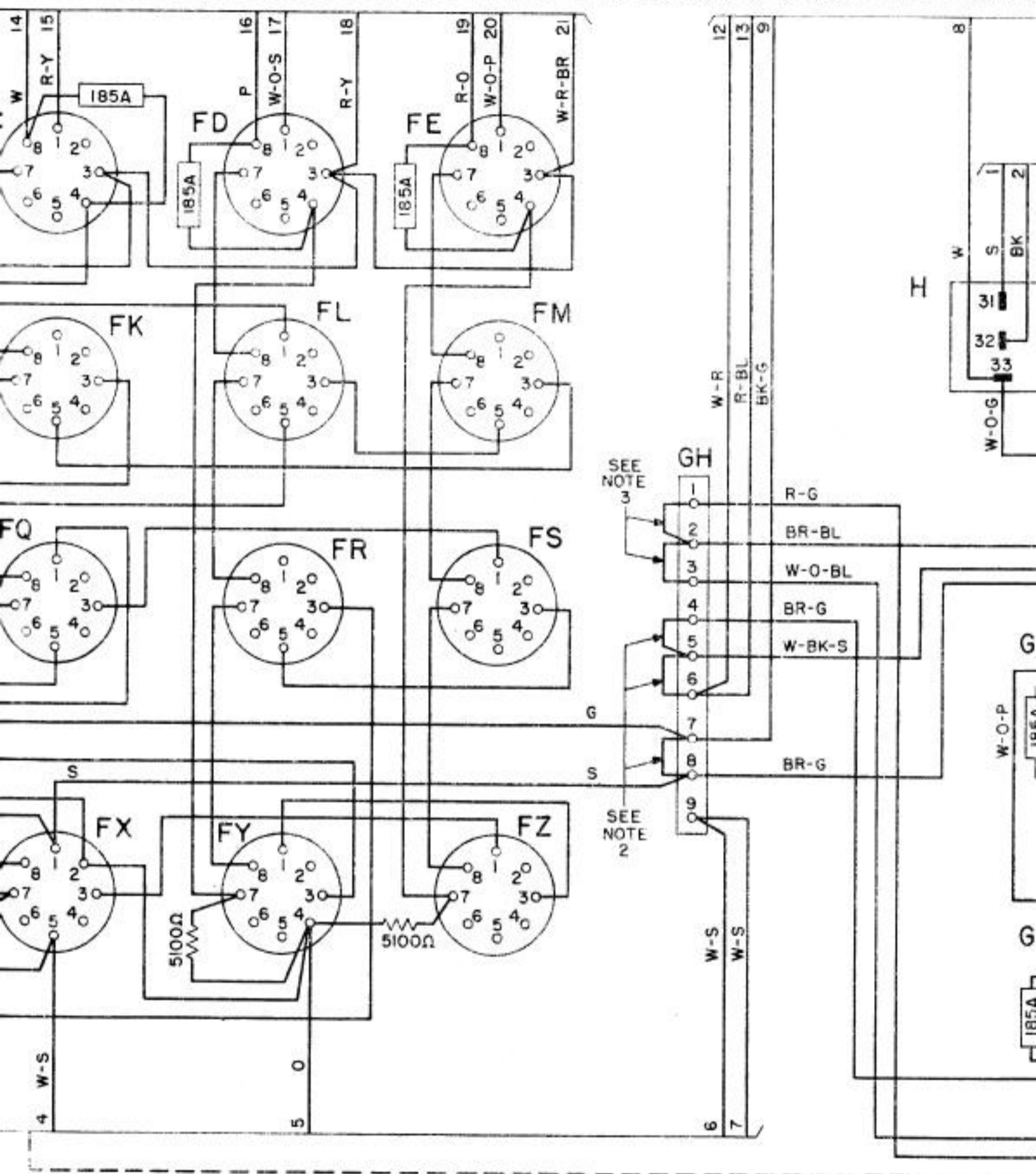
SECTION P34.322
Issue 2, December, 1961
AT&TCo Standard

28A AND 28B
REPERFORATOR-TRANSMITTER
ADAPTER UNIT
WIRING DIAGRAM

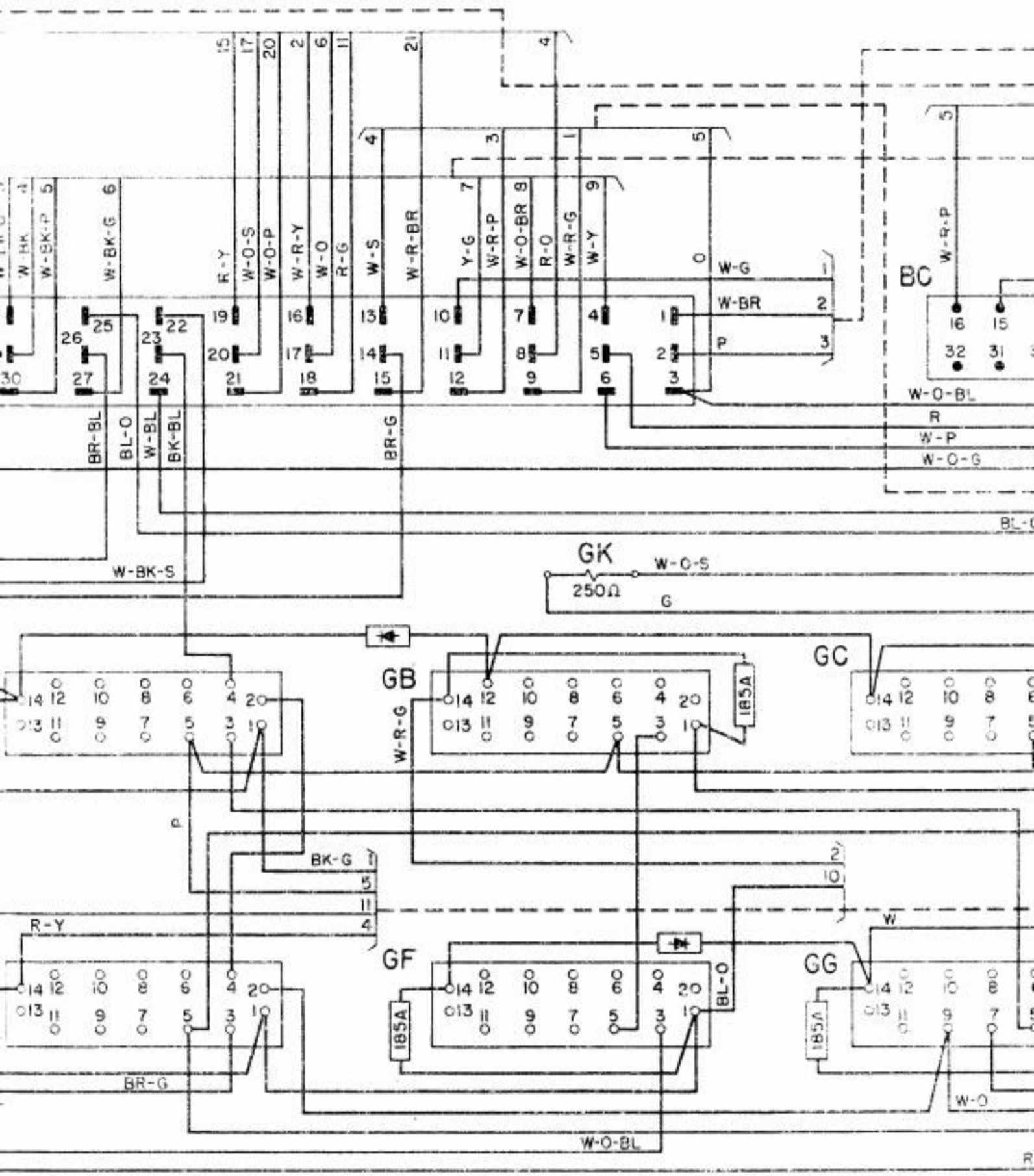
1. GENERAL

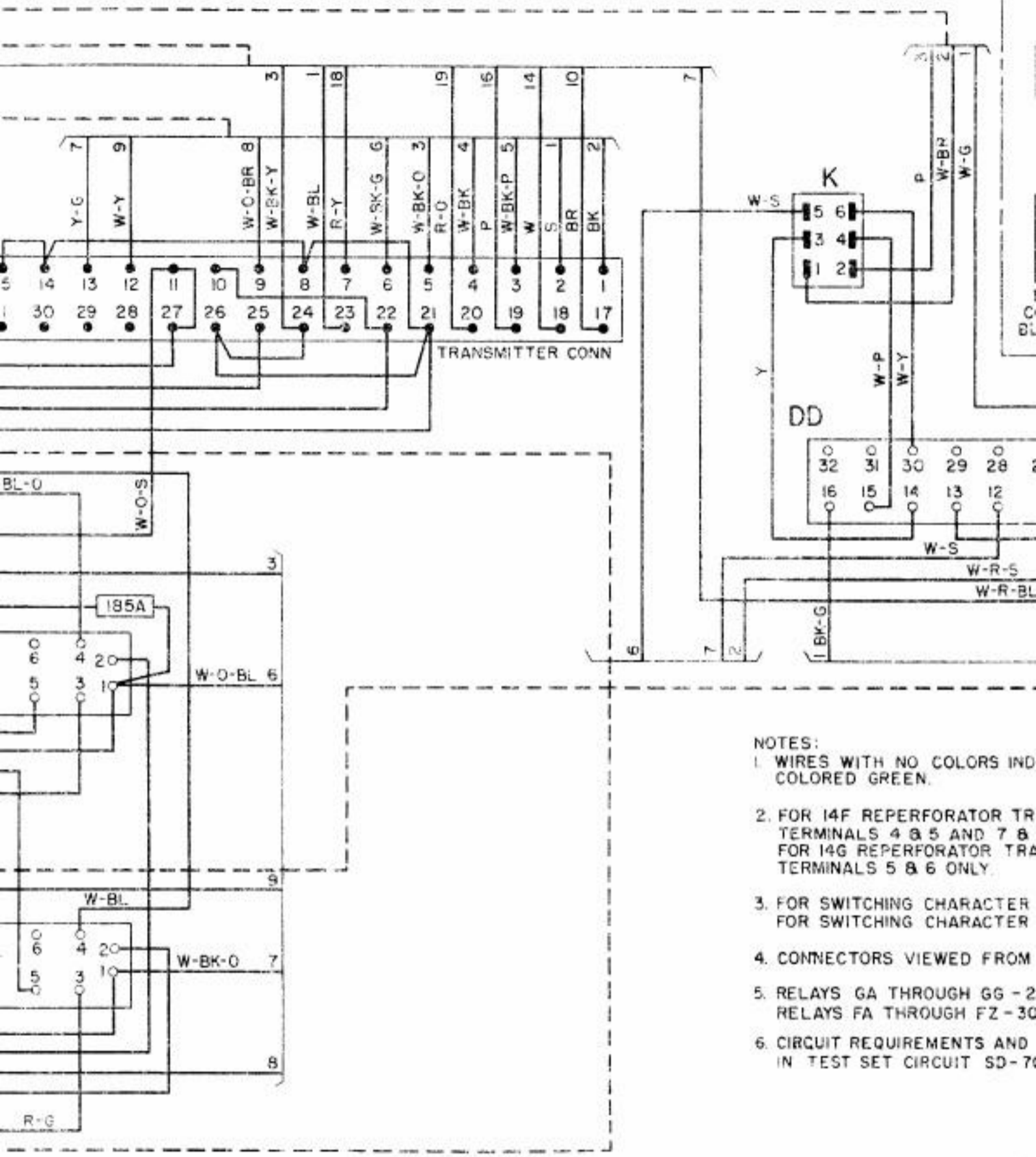
- 1.01 This section shows the wiring of the 28A and 28B reperforator-transmitter adapter unit.
- 1.02 This wiring diagram has been reissued to remove wire from FG3 to FW3 in the relay ground circuit, to change the reference of mercury relay in Note 5 to read "303F", and to add Note 6.





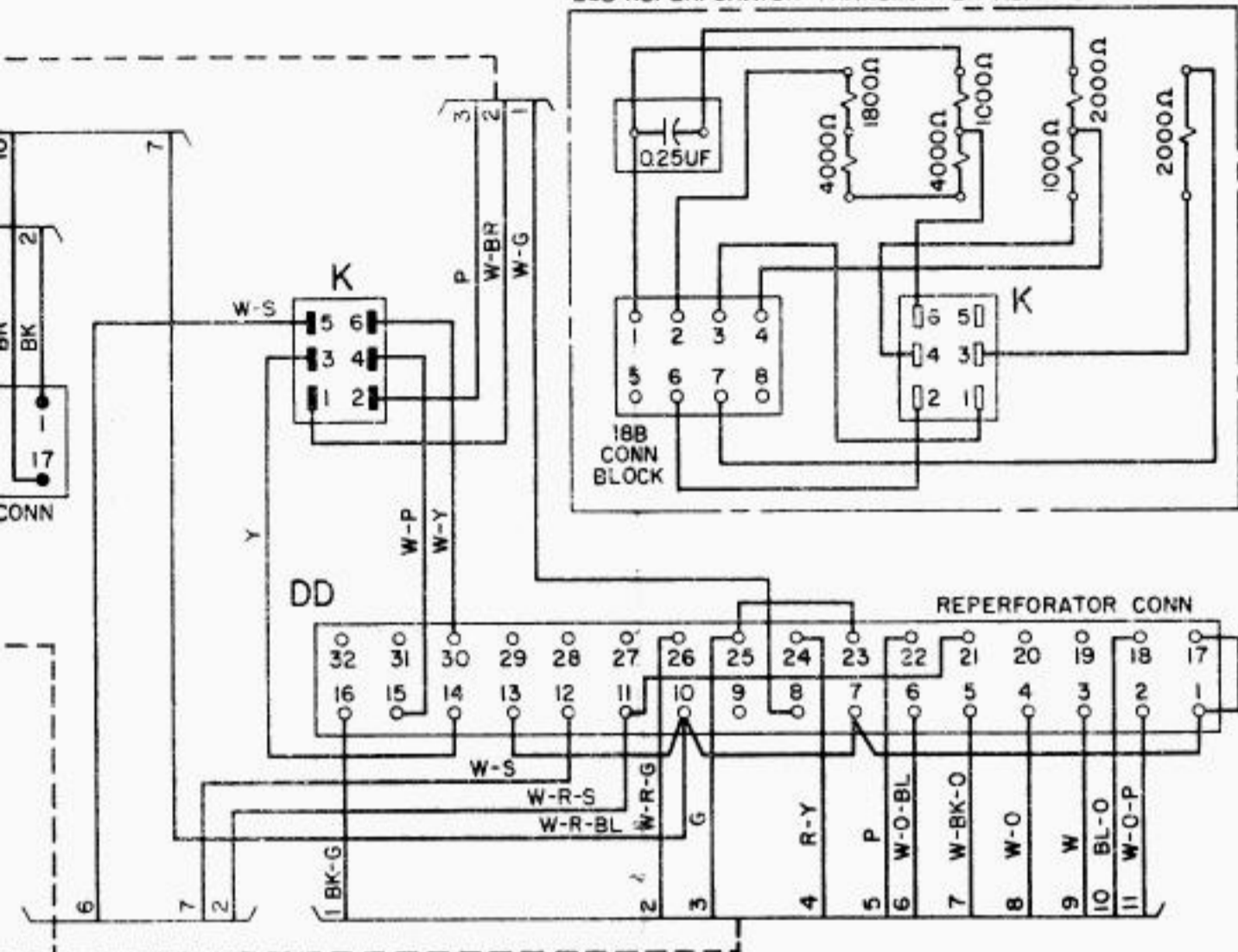
28A and 28B Reperforator-Transmitter Adapter Unit





- NOTES:
1. WIRES WITH NO COLORS INDICATED ARE TO BE COLORED GREEN.
 2. FOR 14F REPERFORATOR TRIMMER TERMINALS 4 & 5 AND 7 & 8. FOR 14G REPERFORATOR TRIMMER TERMINALS 5 & 6 ONLY.
 3. FOR SWITCHING CHARACTERISTICS SEE TEST SET CIRCUIT SD-70.
 4. CONNECTORS VIEWED FROM THE FRONT.
 5. RELAYS GA THROUGH GG - 200 OHMS. RELAYS FA THROUGH FZ - 300 OHMS.
 6. CIRCUIT REQUIREMENTS AND CONNECTIONS ARE SHOWN IN TEST SET CIRCUIT SD-70.

28B REPERFORATOR TRANSMITTER ADAPTER UNIT ONLY



NOTES:

1. WIRES WITH NO COLORS INDICATED ARE SURFACE WIRED, COLORED GREEN.
2. FOR 14F REPERFORATOR TRANSMITTER EQUIVALENT, STRAP TERMINALS 4 & 5 AND 7 & 8.
FOR 14G REPERFORATOR TRANSMITTER EQUIVALENT, STRAP TERMINALS 5 & 6 ONLY.
3. FOR SWITCHING CHARACTER "G", STRAP TERMINALS 1 & 2.
FOR SWITCHING CHARACTER "O", STRAP TERMINALS 2 & 3.
4. CONNECTORS VIEWED FROM SOLDER TERMINAL ENDS.
5. RELAYS GA THROUGH GG - 295A DRY REED.
RELAYS FA THROUGH FZ - 303F MERCURY.
6. CIRCUIT REQUIREMENTS AND RELAY TEST DATA IS COVERED IN TEST SET CIRCUIT SD-70916-01.