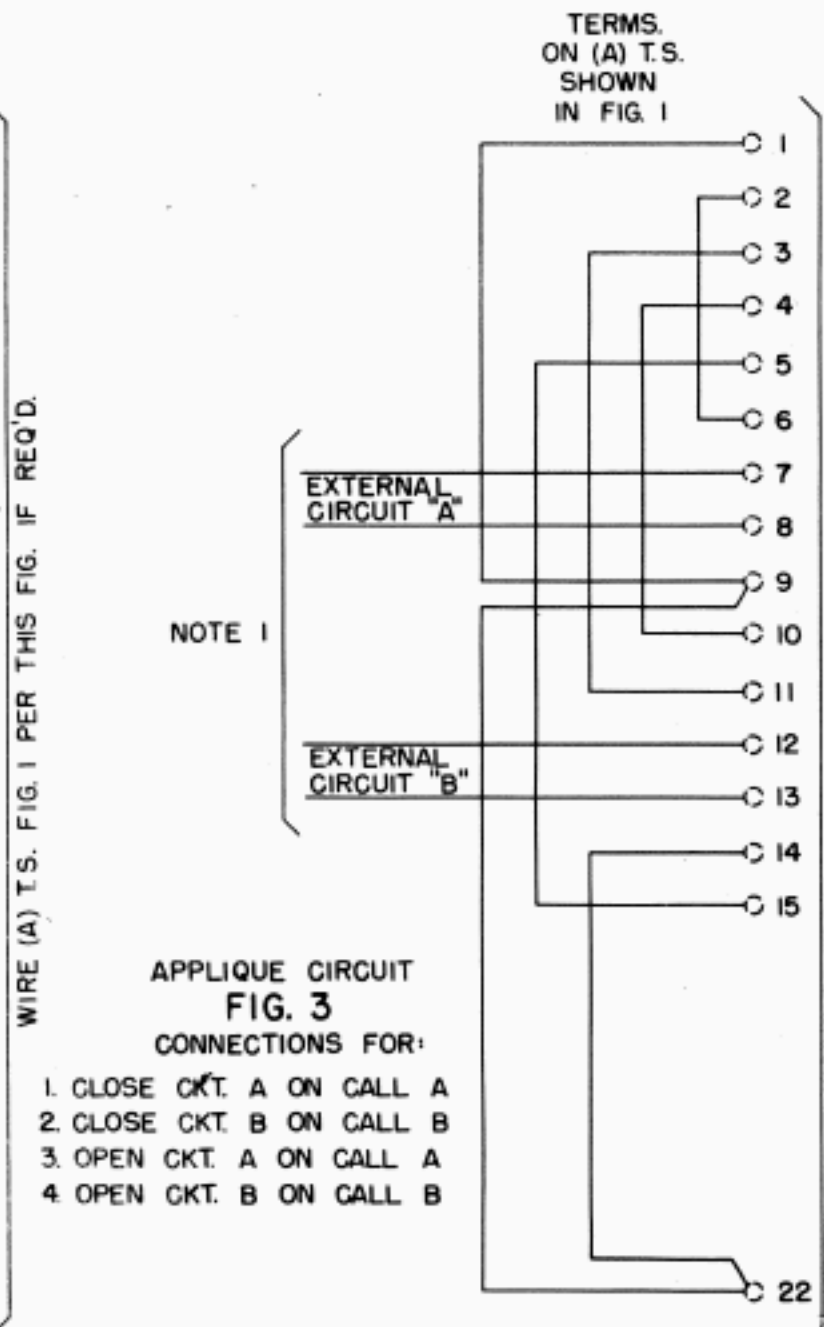
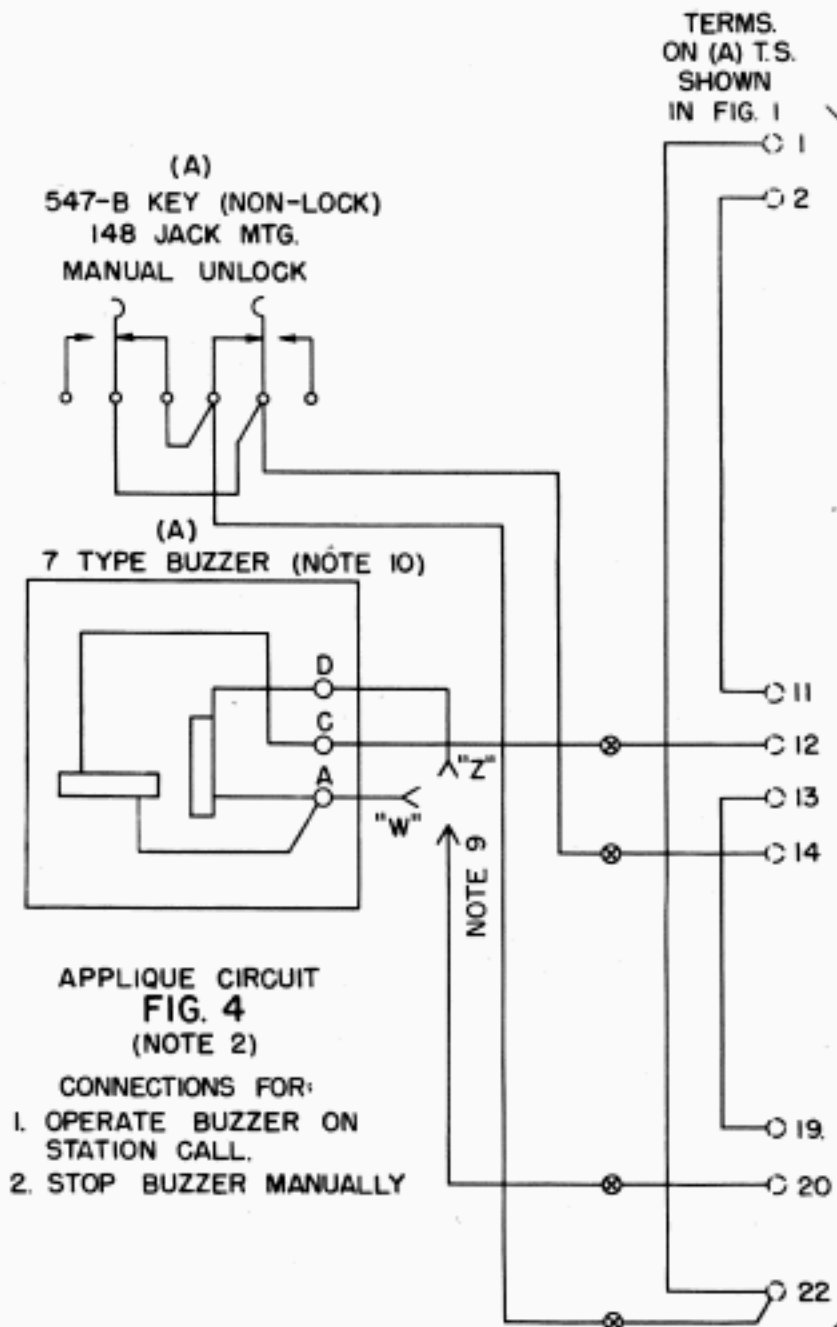


APPARATUS		MECH. REQ.			CIRCUIT PREPARATION					DIRECT CURRENT FLOW REQ.					REMARKS
DESH.	CODE	B. S. P. FIG.	MONT. PRESS.	MM TR'Y'L	BLOCK OR INSULATE	TEST CLIP DATA		TEST SET PREP	SEE TEST NOTE	TEST WDG.	TEST FIR	AFTER SOAK	TEST	READI.	
						M. A.	M. A.					M. A.			
A, B, G	U783	101/101	H	26		3B (A)(B)(G)	3T (A)(B)(G)	NGB	7		0	33	14.4	13.7	
						3B (A)(B)(G)	3T (A)(B)(G)					NO	33	9.7	10.3
						3B (A)(B)(G)	3T (A)(B)(G)					R	33	1.0	1.3
C, E	Y73	175/108	H	47		6B (C)(E)	4T (C)(E)	NGB	1		0	31.5	24.5	23	
						6B (C)(E)	4T (C)(E)					H	31.5	3.3	3.1
						6B (C)(E)	4T (C)(E)					R	31.5	.9	1.2
F (9)	U545	101/101	H	29		3B (F)	3T (F)	NGB	3/4		0	13.3	6.2	5.9	
						3B (F)	3T (F)					R	13.3	4	5
P R	280AJ 239JK					6 (PR)	3 (PR)	NGB	3/4	P	0	-50	2.3	1.1	
						6 (PR)	3 (PR)					NO	-50	0.0	.8
H, J	280DA 206CF	A			(C) 0	2 (H)(J)	6 (H)(J)	NGB	4/3	P 1/22	0	-25	1.1	.6	
						2 (H)(J)	6 (H)(J)					NO	-25	0.0	.4
A	60BP								6						
A, B, G	U545		H	29		3B (A)(B)(G)	3T (A)(B)(G)	NGB	7		0	13.3	6.2	5.9	
						3B (A)(B)(G)	3T (A)(B)(G)	NGB	7		R	13.3	4	5	SEE NOTE 12
F	UI250		H	SPL 23		3B (F)	5T (F)	NGB	2/7		0	5.7	5.4		

TEST NOTES

1. REMOVE WIRE FROM 4T (C)
2. " " " 3B (F)
3. " " " 1 (PR)
4. TEST PER B.S.P. B460.023. OR B460.059
5. ADJUST TO OPERATE IN EITHER DIRECTION ON CURRENT REVERSALS APPROX 60 PULSATIONS PER MIN. WITH WINDINGS IN SERIES AIDING. PULSATIONS MAY BE PRODUCED BY MANUAL OPERATION OF "REV" KEY ON TEST SET. SEE THAT PERCEPTIBLE CLEARANCE IS PROVIDED BETWEEN ARMATURE & POLE PIECE SCREW. (BSP B460.023, PAR. 2.12)
6. SET CODE WHEEL SO THAT THE FIRST CONTACT WILL MAKE AFTER THE WHEEL HAS BEEN ADVANCED 20 STEPS.
7. TEST PER B.S.P. B461.011.
8. USE 45V B BATTERY FOR TEST & ADJUST AND SUPPLEMENT IF NECESSARY BY 4 1/2 VOLT DRY CELL BATTERY.
9. CHANGED TO U-125Q ACCOUNT U-545 MFR. DISC.





(A)  
21B-3  
INDICATOR

2i  
SELECTOR  
151294

1000 $\omega$   
L1  
1000 $\omega$   
L2

Y P (NOTE 23)

CALL RELAY  
(A) U783  
NOTE 12

(A)  
NOTE 13

CALL RELAY  
(B) U783  
NOTE 12

(B)  
NOTE 13

NOTE 23

NOTE 24

NOTE 24

YAXLEY  
TYPE E POT.  
20,000 $\omega$   
OR  
YAXLEY TYPE  
"M" POT  
20,000 $\omega$  NOTE 18

(S)  
18 FC  
4000 $\omega$

TO FIG.  
6, 7 OR 8

(PR)  
239 JK  
OR 280 AJ

(95 $\omega$ ) P1  
8  
(3600 $\omega$ ) S  
2  
(95 $\omega$ ) P2  
7

NOTE II  
"A" APP. 18FP 6350 $\omega$   
"B" APP. 50P00 $\omega$ 107A (NOTE II)

FIG. I

RES.  
18 - FG  
8080 $\omega$   
(V)

(B)  
RCA  
50Y6-

RUN THESE WIRES  
DIRECT AS SHORT AS  
PRACTICABLE AND NOT  
IN LOCAL CABLE FORM

(A)  
88-A OR 88-D FILT.  
NOTE 3

SEE NOTE 25  
(E)  
50 MF

KS-13974

NOTE 24

(C)  
1000 $\omega$  2500 $\omega$   
19-JS

(D)  
800 $\omega$   
18-CN

(E)

6B  
Y-73  
1300 $\omega$

6B  
Y-73  
1300 $\omega$

NOTE 24

NOTE 20

NOTE 24

(C)  
0.1 MF

441K

(T)  
1800 $\omega$   
OR  
1700 $\omega$

3000 $\omega$   
OR  
3450 $\omega$

NOTE 14

P85 $\omega$

S85 $\omega$

(H)  
206 CF  
OR 280 DA

MALLORY TYPE  
TP 410, .01 MF COD.

(D)  
2MF 439A

(G)  
500 $\omega$   
18 A.C.

NOTE 24



REASONS FOR CHANGE:  
 ISSUE Y- CHANGED DESIGNATION OF  
 "T" WIRING, NOTE 24, TO "J"  
 WIRING, NOTE 24.  
 ADDED NOTE 25.

BELL SYSTEM PRACTICES  
 TELETYPEWRITER STATION  
 INSTALLATION & MAINTENANCE  
 REPRODUCED FROM 20532-SD-33

SECTION P 90.982  
 ISSUE Y NOV. 1951  
 LONG LINES DEPT.  
 DIST. CLASS 400 A.C.  
 600 A.C.

*Garden City*

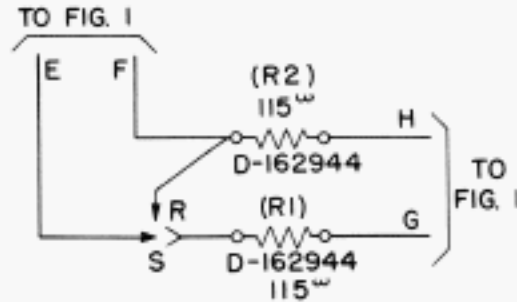
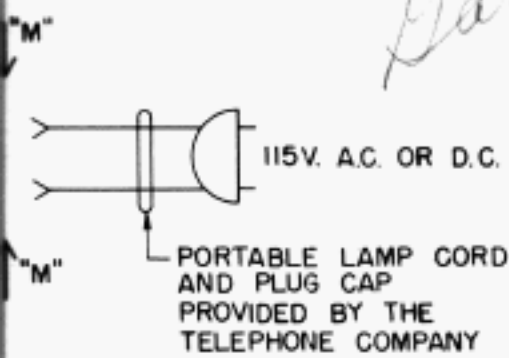


FIG. 9  
 NOTE 17 & 23

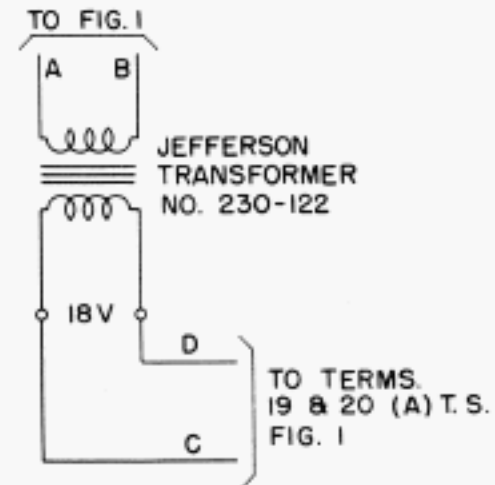


FIG. 8  
 NOTE 6

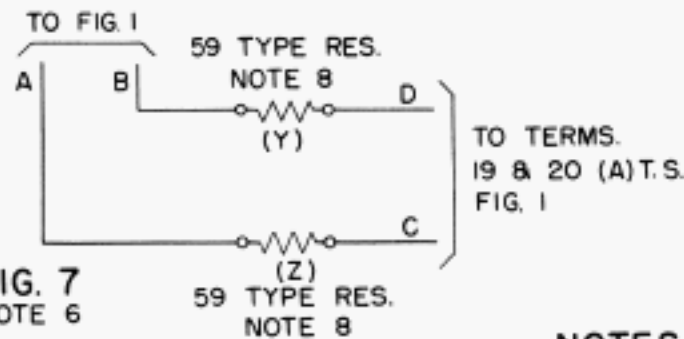


FIG. 7  
 NOTE 6

NOTES

1. CONNECT TO I.D.F. WHEN USED IN CENTRAL OFFICE OR TO EQUIPMENT AS SPECIFIED WHEN USED IN CUSTOMER'S OFFICE
2. LOCATE THIS APPARATUS AS REQUIRED
3. USE 88-A OR 88-D FILTER X WIRING WHEN REQUIRED TO MINIMIZE RADIO INTERFERENCE. OTHERWISE USE "Y" WIRING. USE 88-D FILTER FOR NEW CIRCUITS IF AVAILABLE BUT DO NOT REPLACE 88-A FILTERS ON EXISTING CKTS.
4. USE M WIRING WHEN USED IN CENTRAL OFFICE. USE N WIRING AND N ORNI APPARATUS WHEN USED IN CUSTOMER'S OFFICE.
5. WIRING SHOWN ON 20532-T-116 B.S.P. P90.983. EQUIPMENT SHOWN ON H-297-282.
6. USE FIG. 6 FOR 60~A.C., FIG. 8 FOR 25~A.C. AND FIG. 7 FOR D.C.
7. RECEIVING UNIT AS FURNISHED BY THE MANUFACTURER WILL CONSIST OF FIG. 1, 2, 6, OR 8 AS COVERED BY LISTS SHOWN ON DWG. H-297-282. ALL OTHER FIGURES ARE TO BE PROVIDED AND INSTALLED BY TELEPHONE CO. IF SPECIFIED ON THE SERVICE ORDER.
8. USE TWO 59-N (1000~) RESISTANCES IF FIG. 4 IS TO BE PROVIDED, OTHERWISE USE RESISTANCES AS SPECIFIED ON DWG. COVERING ANY APPLIQUE CIRCUIT TO BE PROVIDED.
9. USE W WIRING FOR A.C. POWER AND Z WIRING FOR D.C. POWER.
10. USE 7-E BUZZER FOR 60~A.C., 7-A FOR 25~A.C. AND 7-F FOR D.C.
11. FOR 60 MILLIAMPERE OPERATION, USE "A" APP. 18 FP 6350~. FOR 20 MILLIAMPERE OPERATION, REPLACE "A" APP. WITH "B" APP. 50,000~ 107 TYPE RESISTANCE. USE T WIRING FOR NEUTRAL OPERATION, OMIT FOR POLAR OPERATION.
12. THIS RELAY IN THE FIRST 100 SETS WAS A U-545 (2500~). SUBSEQUENT SETS HAVE A U-783 (1300~).
13. THIS RESISTANCE IN THE FIRST 100 SETS WAS AN 18E A (9000~) SUBSEQUENT SETS HAVE AN 18EW (5000~).
14. ORIGINAL RES. (T) WAS 19-SB (3000~-1800~), NOW MFR. DISC. RES. (T) NOW FURNISHED BY MFR. IS 19-TC (3450~-1700~).
15. H.B. JONES NO. 10-141 TERM. STRIP OR EQUIVALENT ON TTY TABLE.
16. PROTECTOR GROUND.
17. PROVIDE FUSTAT OR FUSETRON IN BOTH SIDES OF CIRCUIT WHEN D.C. IS USED. PROVIDE FUSTAT OR FUSETRON IN NON-GROUNDED SIDE ONLY WHEN A.C. IS USED. STRAP NON-FUSED SIDE.
18. USE FIG. 9 IF SPECIFIED ON DWG. COVERING ANY APPLIQUE CIRCUIT TO BE PROVIDED.
19. PRIOR TO ISSUE Q, YAXLEY TYPE "E" WAS FURNISHED. AFTER ISSUE Q, YAXLEY TYPE "M" IS TO BE FURNISHED.
20. F RELAY NOW U-1250, FORMERLY U-545 MANUFACTURE DISCONTINUED.
21. USE Z WIRING TO UNLOCK RELAY AS REQUIRED BY APPLIQUE CIRCUIT.
22. SELECTOR SHOWN ON ISSUES PREVIOUS TO ISSUE V WAS 60 B.P.
23. USE V WIRING FOR 104 D 4989 - S RECT. "U" WIRING (50Y6-GT RECT.) MFR. DISC. WITH THIS ISSUE (48) WITH DWG. 23069-SD-33 USE P & R WIRING OTHERWISE USE Q & S WIRING
24. USE J AND Z WIRING WITH 22750-SD-33
25. KS-13974 CONDENSERS (E) & (F) WERE KS-8188 NOW MFR. DISC.

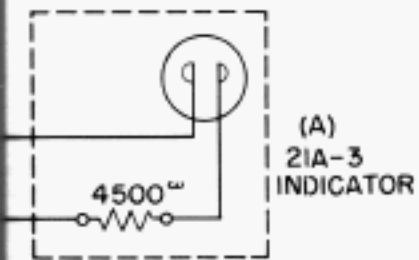


FIG. 5  
 (NOTE 2)  
 BUSY INDICATOR  
 (MFG. DISC.)

(A)  
 EDWARDS  
 NO. 874  
 TRANS.  
 OR  
 JEFFERSON  
 230-181  
 CHIME TRANS.

TO TERMS.  
 19 & 20 (A) T.S.  
 FIG. 1

FIG. 6

