

FIG. 1

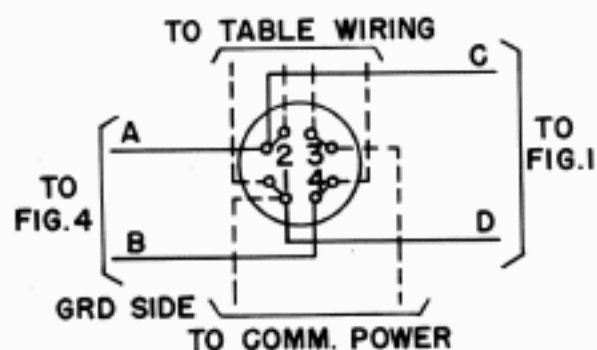
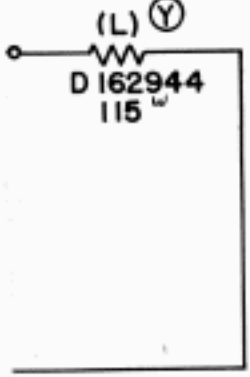
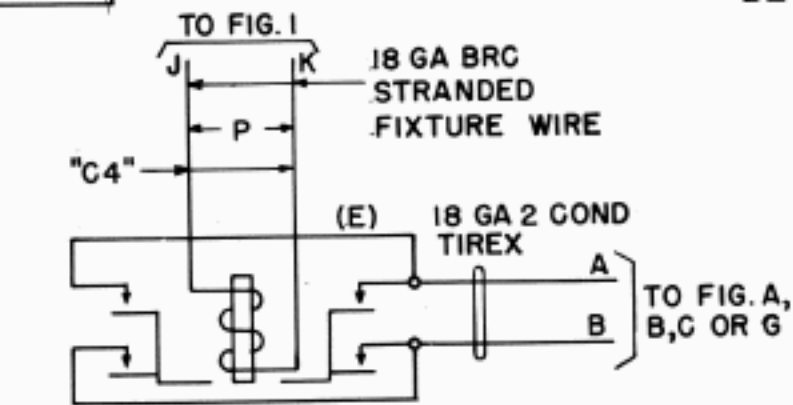


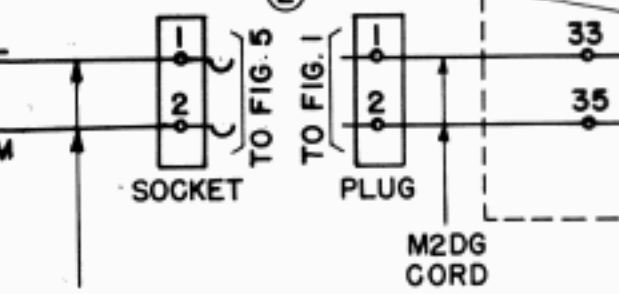
FIG. B  
CONNECTIONS TO 19A TABLE



S-7 SIGNAL ENGRG. & MFG. CO.  
RELAY  
FOR 110V DC OR 110V  
60~AC  
FIG. 4

- (A) "FIG. H" COMBINATION  
87868 M SET OF PARTS (MODIFY PER FIG. F)  
92176 M CABLE
- (B) "FIG.-BLK-H" COMBINATION  
1-92176 M CABLE  
1-97645 M SET OF PARTS (REMOTE MOTOR CONTROL PARTS FOR TU) CONSISTING OF:  
74890 M MOTOR STOP CONTACT ASSEMBLY  
82271 M FUNCTION LEVER  
82788 M SPRING  
82633 M CABLE  
1-87403 M SET OF PARTS (FIGS.-BLANK-STOP)  
1-92154 M SET OF PARTS (DOUBLE-BLANK)  
WIRE AS SHOWN

92176M CABLE  
CONNECT DIRECTLY  
TO TERMS. 33 & 35  
AFTER CLEARING  
SAME.



M2DG CORD  
(5 FEET)

3618 M  
INSULATORS

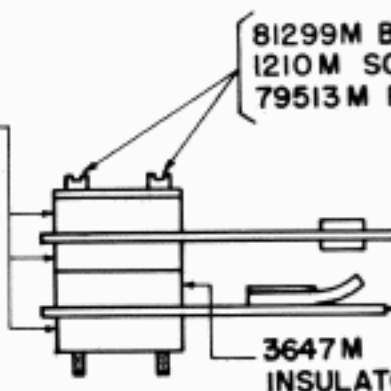
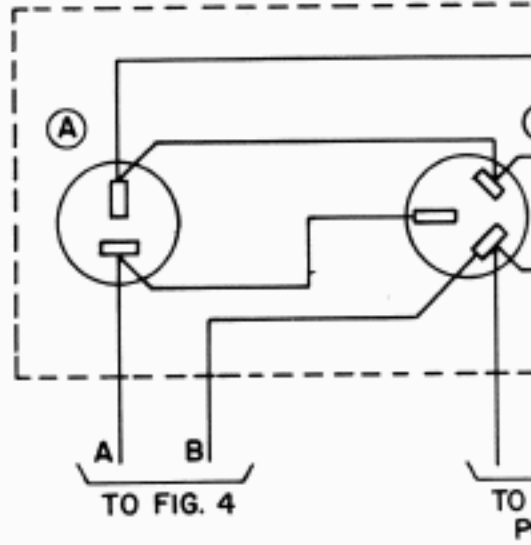


FIG. F  
MODIFICATION OF 81800M  
CONTACT OF 87868M SET OF  
PARTS TO PROVIDE NORMALLY  
OPEN CONTACTS.

APPLY PL  
APPLY PL



- (2) H. B. JONES
- (3) DENOTES  
MOUNT SW  
BETWEEN
- (4) WIRING AND  
WIRING:
- (5)
- (6)
- (7) CONNECT  
DIRECTLY  
OMIT STR
- (8) AND GROU
- (9) GROUND I  
THE #1348  
SWITCH. T  
SWITCHES
- (10) USE Z W

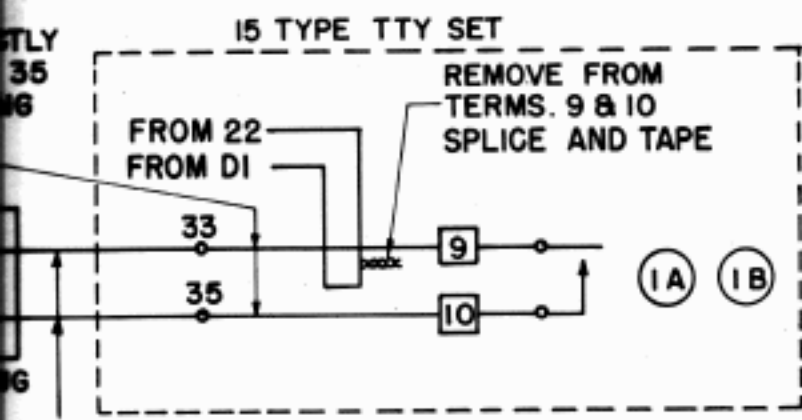
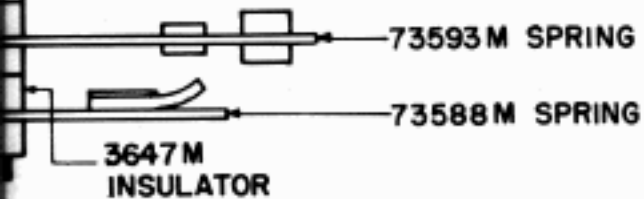


FIG. 5

81299M BUSHINGS (CUT TO SIZE)  
1210M SCREWS  
79513M PLATE



APPLY PLANS PM 2.01 OR PM 2.02 (7)  
APPLY PLAN PM 207 FOR AC (8)

FIG. 6

CONNECTIONS FOR LEADS ABC&D OF FIG. 1

TABLE	LEAD A	LEAD B	LEAD C	LEAD D
19A	C.H. TERM. 2	C.H. TERM. 4	C.H. TERM. 2	C.H. TERM. 1
15A	FIG. C	FIG. C	FIG. C	FIG. C
15N	FIG. A	FIG. A	FIG. D	FIG. D
XRT115	TERM. 4	TERM. 6	TERM. 1	TERM. 4
XRT116	TERM. 33A	TERM. 46A	TERM. 1	TERM. 4

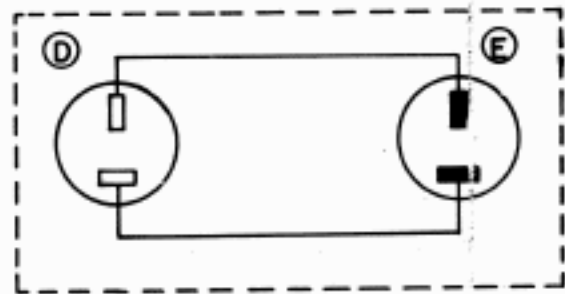
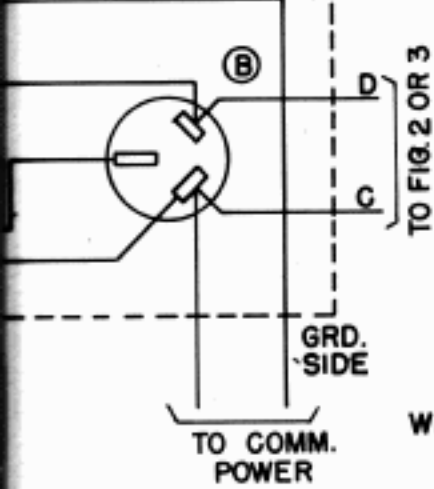


FIG. C  
WIRING OF 15A TABLE

DWG. NO. \_\_\_\_\_ CIRCUIT R \_\_\_\_\_

APPARATUS		MECH. REQ.			CIRCUIT PREPARATION			
DESIG.	CODE	B. S. P. FIG.	CONT. PRESS.	ARM TR'V'L	BLOCK OR INSULATE	TEST CLIP DATA		
						CONN. BATT.	CONN. GR'D	
A	E199		L	15		2 RT (A)	RBI (A)	
B	B-1090	11		30		2 M (B)	1 M (B)	
						2 M (B)	1 M (B)	
C	U-53	118/145	H	50	D (O)	9T (C)	8B (C)	
D	U-360	153/184	H	53		9T (D)	9B (D)	
E	S7H2	SIG. ENG. & MFG. CO.						
Z	U-460	108/108	H	47		6T (F)	6B (F)	

TEST NOTES:  
1. INSERT OPEN PLUG INTO SET JACK.  
2. REMOVE WIRING FROM 9B (D)  
3. ADJUST PER B.S.P. P 31.911  
4. FOR NGB USE 45VOLT DRY CELL BATTERY CONNECTED NEGATIVE TO "BAT" TERMINAL AND POSITIVE TO "GRD" OF 35 TYPE TEST SET.

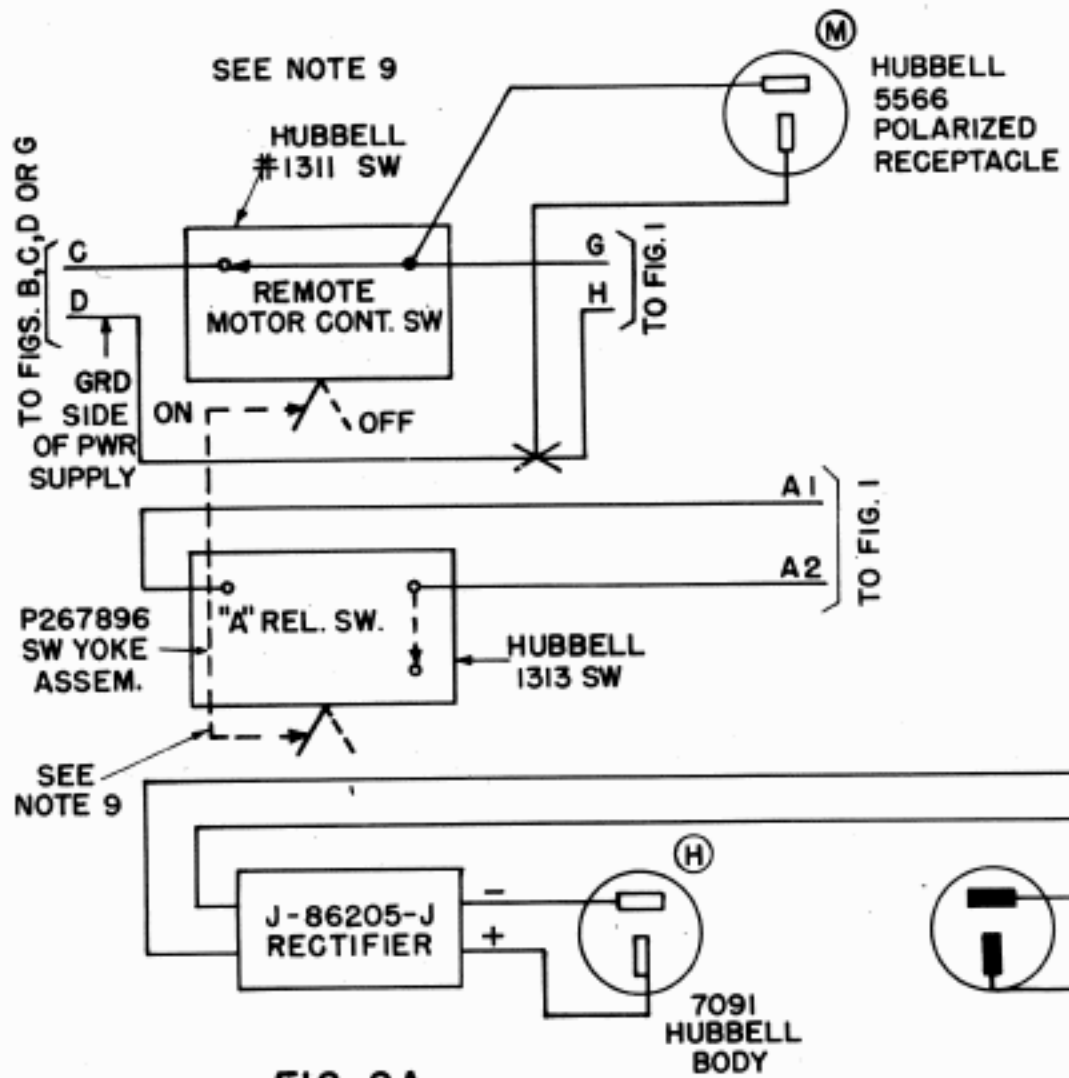


FIG. 2A  
USE WHEN POWER IS (AC)

- (2) H. B. JONES S-402 CCT (SOCKET)  
P-402 CCT (PLUG)  
M2DG CORD (3 FOOT)  
M2DG CORD (5 FOOT)
- (3) DENOTES TERMINALS ON 30A CONN. BLOCK
- (4) MOUNT SWITCH BOX ON UNDER SIDE OF TABLE TOP BETWEEN THE FUSE AND JACK MOUNTING WITH OPENING DOWN
- (5) WIRING AND EQUIPMENT SHOWN ON 21516-T-113, ISSUE 1.
- (6) WIRING: X FOR AC  
Y FOR DC  
R IF POSITIVE DC GROUNDED.  
S IF NEGATIVE DC GROUNDED.
- (7) CONNECT R WIRE TO TERM 22 AND GROUND FRAME DIRECTLY IF POTENTIAL GROUND IS REQUIRED.
- (8) OMIT STRAP BETWEEN TERM 24 AND TTY FRAME AND GROUND FRAME DIRECTLY IF POTENTIAL GROUND IS REQUIRED.
- (9) THE #1348 HUBBELL YOKE TO BE ARRANGED TO INCLUDE 19A TABLE POWER SWITCH. THE P267896 SW YOKE ASSEM. SHOULD BE ARRANGED WITH SWITCHES IN POSITION AS FOLLOWS.  
19A TABLE POWER SW "OFF"  
REMOTE MOTOR CONT. SW "ON"  
(A) RELAY SW "OFF"
- (10) USE Z WIRING FIG. 1 & FIGS. 7 & 8 WHEN AUDIBLE SIGNAL IS REQUIRED

# BELL SYSTEM PRACTICES

TELETYPEWRITER STATION  
INSTALLATION & MAINTENANCE

REPRODUCED FROM DWG. 21516-SD-119

# SECTION P90.968

ISSUE I OCT. 1952  
LONG LINES DEPT.

*Garden City*

## CIRCUIT REQUIREMENTS

REQ.	CIRCUIT PREPARATION				DIRECT CURRENT FLOW REQ.					REMARKS		
	ARM TR'V'L	BLOCK OR INSULATE	TEST CLIP DATA CONN. BATT.	TEST CLIP DATA CONN. GR'D	TEST SET PREP.	SEE TEST NOTE	TEST WDG.	TEST FOR	AFTER SOAK M. A.		TEST M. A.	READJ. M. A.
15			2 RT (A)	RBI (A)	NGB	1/4	0			29	27	DISCONNECT RECTIFIERS
30			2 M (B)	1 M (B)	NGB	4	0			.8	.7	
			2 M (B)	1 M (B)	NGB	4	R			.1	.2	
50	D (O)		9 T (C)	8 B (C)	NGB	4	0			11	10	
53			9 T (D)	9 B (D)	NGB	2/4	0			11.9	10.8	
6 MFG. CO.						3						
47			6 T (F)	6 B (F)	NGB		0			11.2	10.6	

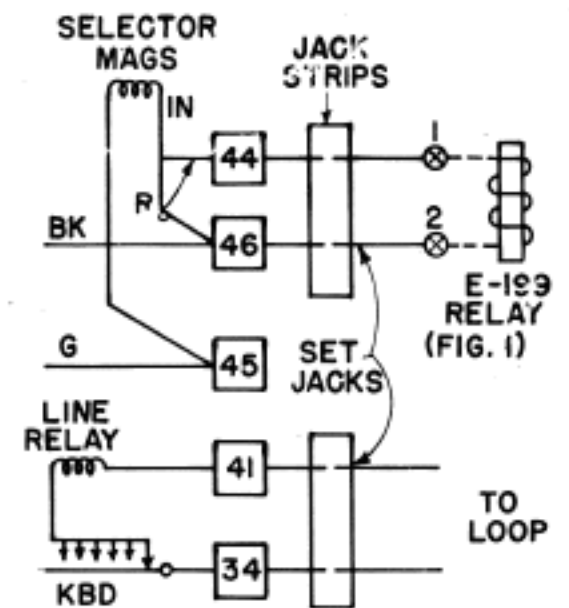


FIG. 9  
TTY MODIFICATION  
FOR POLAR OPERATION

CONNECT INTO SET JACK.  
FROM 9B (D)  
P 31.911  
VOLT DRY CELL BATTERY CONNECTING  
TERMINAL AND POSITIVE TO "GRD" TERMINAL  
SET.

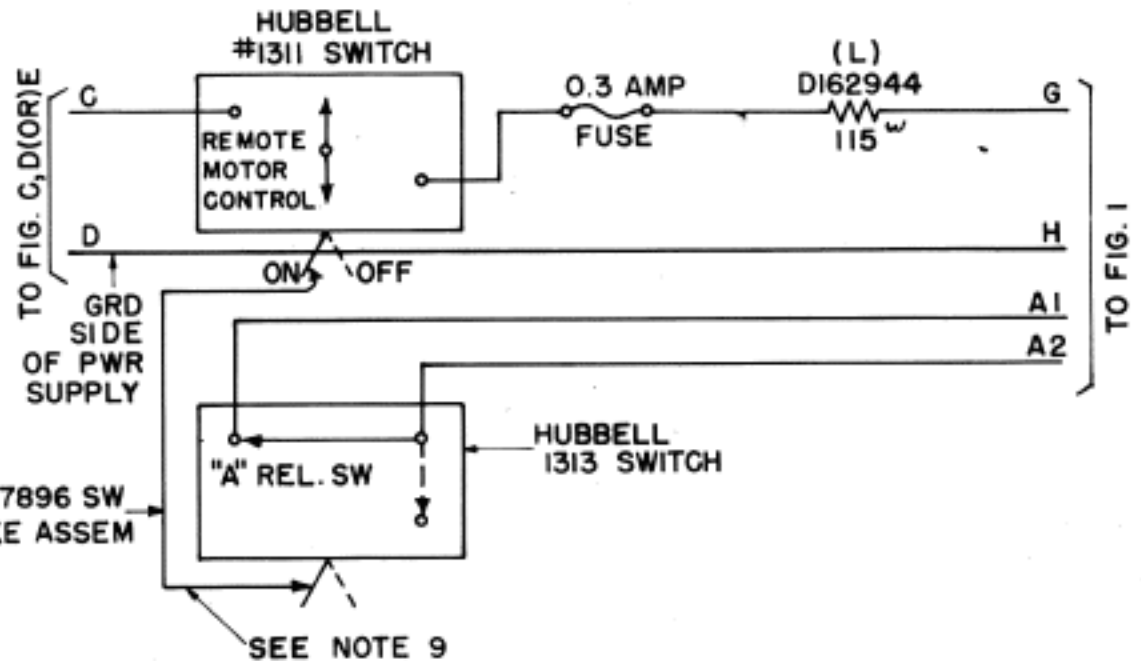
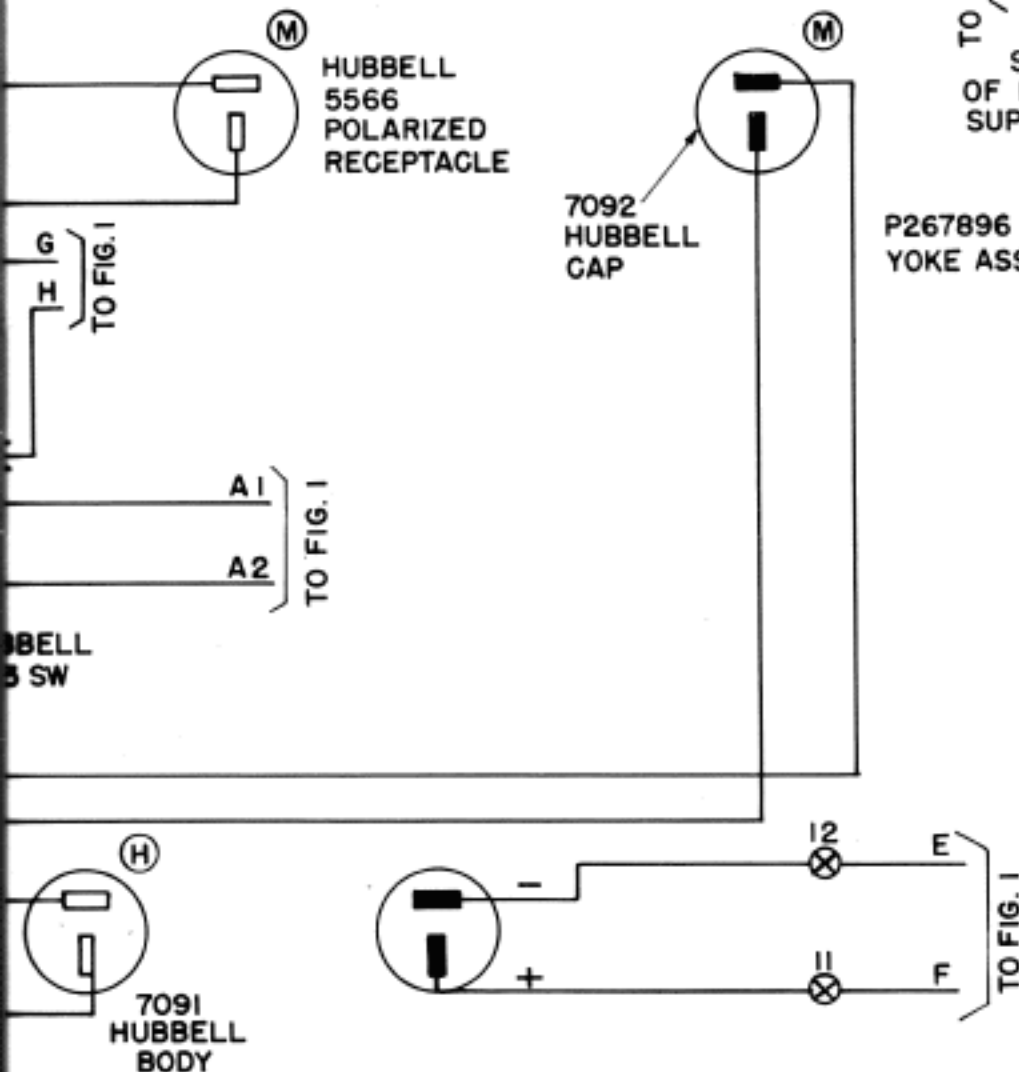


FIG. 3A  
USE WHEN POWER IS (DC)

## SWITCHING ARRANGEMENT

15 TYPE TTY ON 15 TYPE TABLE AND NO.19 SET  
WITH PULLING OR HOLDING MAGNETS  
WIRING AND EQUIPMENT OF ARRANGEMENT TO  
PERMIT CONNECTING POWER TO THE TTY SET BY A  
5 SECOND BREAK SIGNAL & DISCONNECTING IT BY  
A FIG.-BLANK H OR FIG.-H COMBINATION  
ALSO MANUAL CONTROL OF POWER TO TTY SET  
AC OR DC POWER SUPPLY