

15 A, B, C, D, E, F, G, J, K, L, R, S & T
PERFORATOR-TRANSMITTER
SEE NOTE 12

PERF. TRANS.
CONN. BLOCK
(CB2-A) (CB2)

LINE TEST
KEY (K2)

SEND
CONTS (K3)

PERFORATOR
MAGNET
(L2)

MOTOR

MOTOR UNIT C.B.
(CB4-A) (CB4)

PERFORATOR
CONTROL CONTACTS

SEE NOTE 13

TAPE
KBD

GAM PULSING
CONTS. (K6)

CHARACTER COUNTER

COUNTER
MAGNET
(L3)

RELEASE
MAGNET
(L4)

END OF LINE
INDICATOR LAMP

LAMP
CONTROL
CONTACTS
(K9)

PRIMARY POWER
OUTLET BOX

HUBBELL
5566 RECP.

HUBBELL
7250-B
RECP.

HUBBELL
5547
RECP.

BRYANT
1708 RECP.

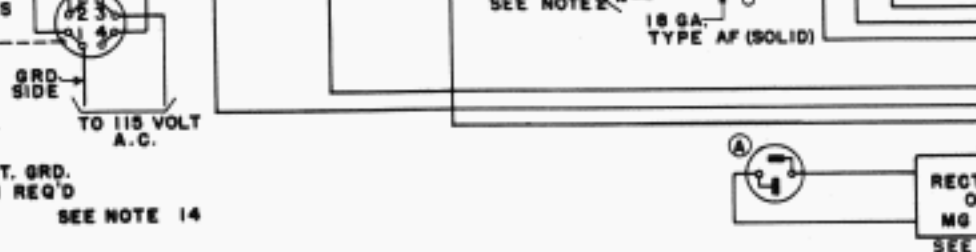
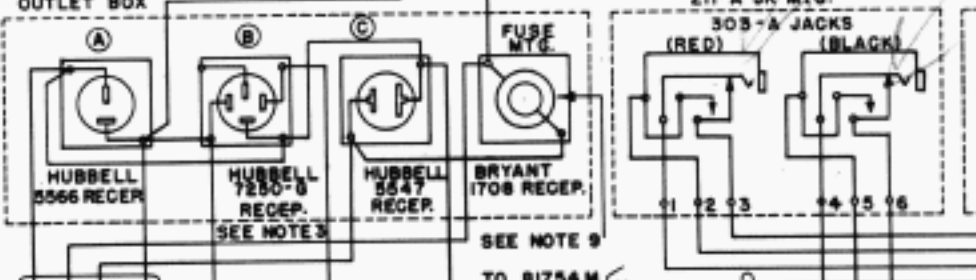
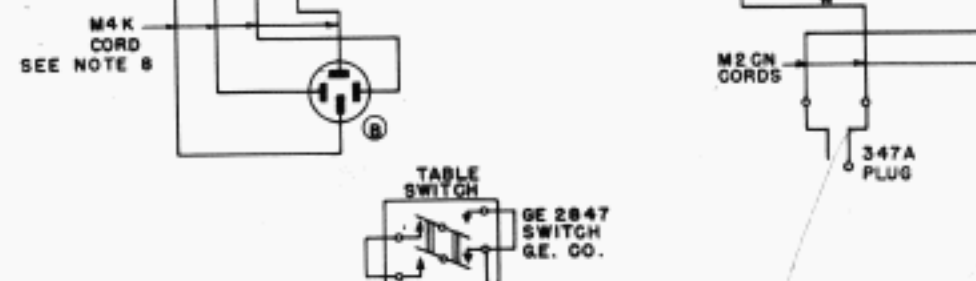
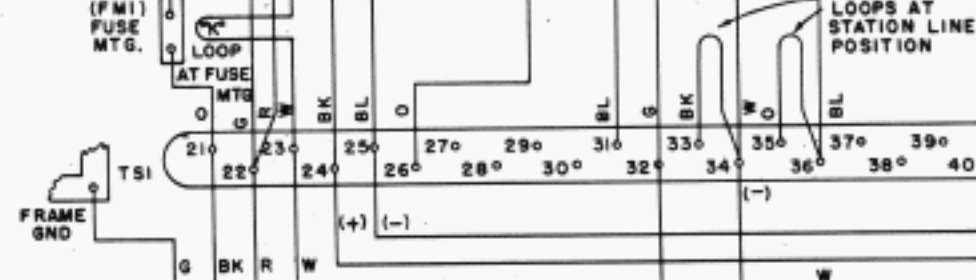
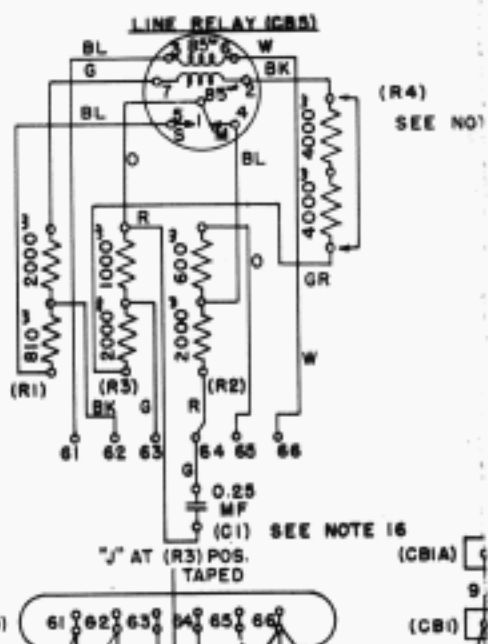
CB1124
CROUSE HINDS
CONN. BLOCK

TO 81754 M
RESIST.
SEE NOTE 9

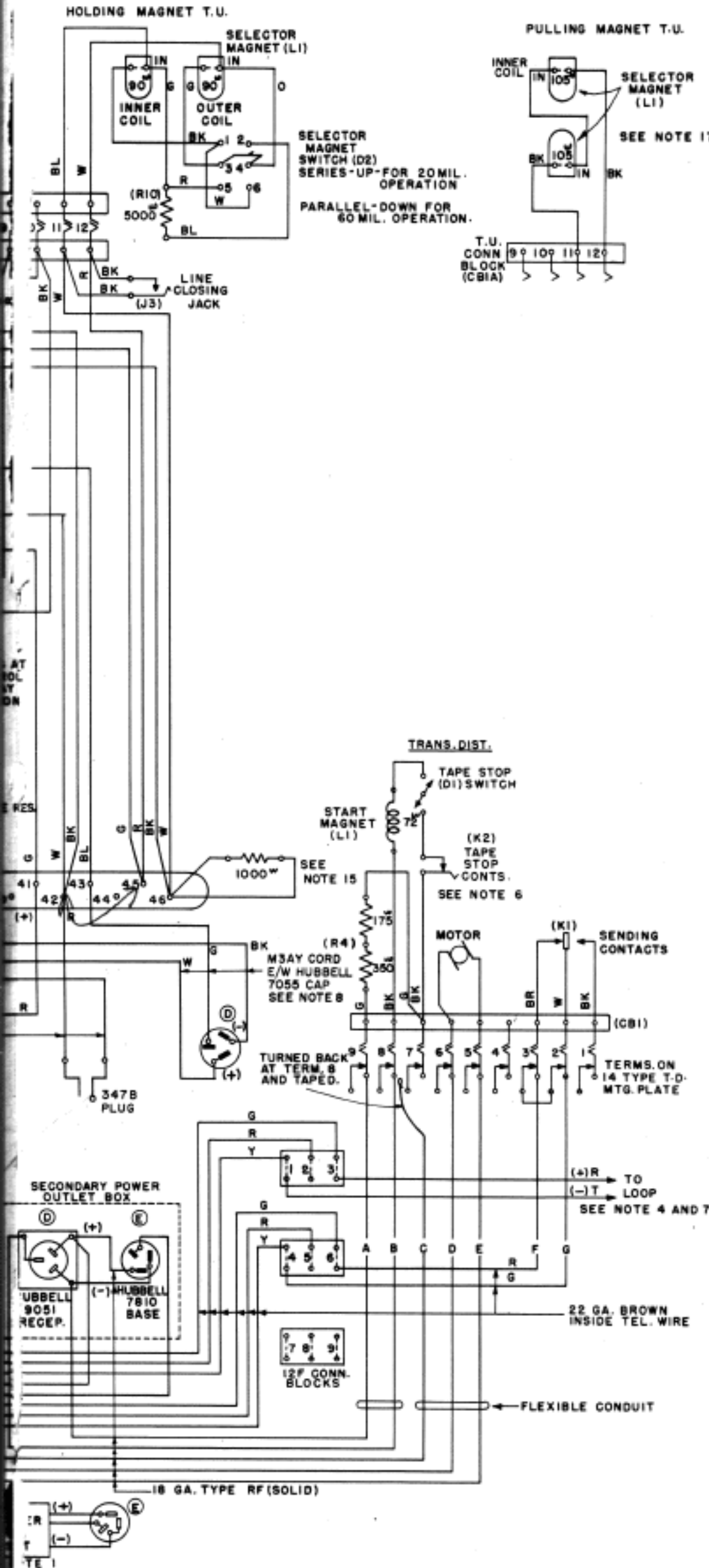
18 GA.
TYPE AF (SOLID)

TO POT. GRD.
WHEN REQ'D
SEE NOTE 14

RECT.
OF
MG
SEE



SEE NOTE 14



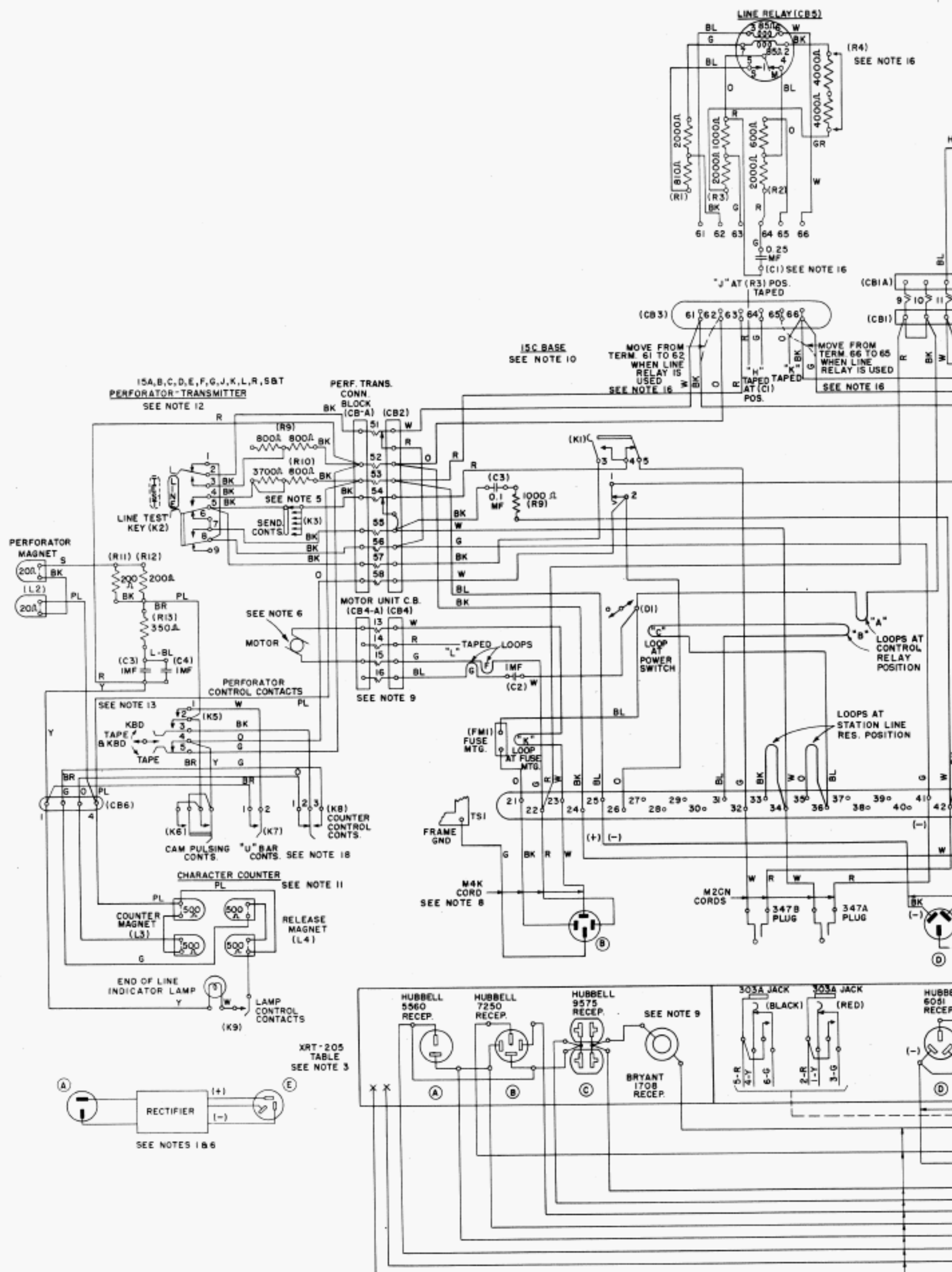
NOTES

1. (A) WHEN A M-G SET IS USED, AN 81754M RESISTOR UNIT IS ALSO REQUIRED.
(B) FOR VOLTAGE SETTINGS SEE BSP P31.101 FOR RECTIFIERS, BSP P31.105 FOR M-G SETS.
2. WHEN AN 81754 M RESISTOR UNIT IS NOT USED, TAPE THE "V" AND "W" LEADS.
3. ORDERING INFORMATION FOR TABLE ACCESSORIES CAN BE OBTAINED FROM DRAWING ED 61221-012.
4. FOR DUPLEX OPERATION SEE APPROPRIATE BSP SECTIONS AS REQUIRED.
5. STRAP THE 3700 OHM PORTION OF (R10) FOR 60 MIL OPERATION. SEE BSP P30.412 PLAN M2.06.
6. FOR WIRING DIAGRAMS OF COMPONENT UNITS, REFER TO BSP SECTIONS AS FOLLOWS:

14 TRANS.-DIST.	P35.331	19A TABLE	
15 BASE	P36.301		BELL LAB. DWG. 50-64052-B1
15 MOTOR UNIT	P36.301		
215 RELAY	P31.161		
15 TYPING UNIT	P36.301		
15 PERF.-TRANS.	P38.322		
MOTOR-GEN. SET	P31.105		
RECTIFIERS	P31.101		
7. PROVIDE WAVE SHAPE SETS AND SWITCHBOARDS AS REQUIRED. SEE BSP SECTIONS P15.001, P30.620, P60.101, AA286.902 AND AB84.026.
8. SEE BSP P30.401 FOR COLOR CODE OF OLDER TYPE CORDS.
9. FOR CAPACITY OF FUSTRONS OR FUSTATS REQUIRED, SEE BSP P31.152; FOR CAPACITY OF FUSES REQUIRED, SEE BSP P31.151.
10. A 15A OR 15B BASE MAY BE USED INSTEAD OF A 15C. SEE SECTION P90.955.
11. FOR OPERATION OF CHARACTER COUNTER SEE BSP AB84.140.
12. NO. 15M, N AND P PERFORATORS MAY ALSO BE USED, HOWEVER, THEY HAVE A SOMEWHAT DIFFERENT WIRING ARRANGEMENT, PRIMARILY IN THE CHARACTER COUNTER. SEE BSP P38.322.
13. KEYBOARD CONTROL OPERATING LEVER FUNCTIONS

KEYBOARD POSITION-	PERF. CONTROL CONTS. ALL OPEN, PUNCH MAGNET WILL NOT BE ENERGIZED, CAN TRANSMIT DIRECT KEYBOARD BUT NOT FROM TRANS. DIST.
TAPE & KBD POSITION-	LOWER PAIR PERF. CONTROL CONTS. CLOSED, PUNCH MAGNET ENERGIZED DUE TO OPERATING SPRING OF THE CAM PULSING CONTS. RIDING INTO INDENTS ON TWO OF THE TRANSMITTING CAMS TOGETHER WITH CLOSURE OF "U" BAR CONTACTS. CAN SEND KEYBOARD AND PERFORATE TOGETHER, ALSO CAN USE T.D. BUT NOT SIMULTANEOUSLY WITH KEYBOARD.
TAPE POSITION	-ALL PERF. CONTROL CONTS. CLOSED, TRIP-OFF PAWL HELD DOWN PREVENTING KEYBOARD SENDING, OPERATION OF ANY KEY LEVER MOVES UNIVERSAL BAR DOWN CAUSING U-BAR CONTS. TO CLOSE WHICH ENERGIZES PUNCH MAGNET TO PERFORATE TAPE, REPEAT SPACE MECHANISM DISABLED. CAN TRANSMIT FROM TRANS. DIST. ONLY.
14. REFER TO BSP SECTION P30.019 FOR TYPE OF POWER CORD TO BE USED AND FOR INFORMATION AS TO WHEN POTENTIAL GROUND IS REQUIRED.
15. SEE BSP SECTION P31.163 FOR INFORMATION ON USE OF 1000 OHM SHUNT FOR HOLDING MAGNET TYPING UNITS. NOT REQUIRED WITH PULLING MAGNET TYPING UNITS.
16. LINE RELAY MOUNTING UNIT IS NOT PROVIDED ON 15C BASES. WHEN IT IS NECESSARY TO USE A LINE RELAY INSTALL A NO. 91786M SET OF PARTS AND APPLY PLAN M2.16, BSP P30.412. ALSO THE (R4) RESISTANCE (8000 OHMS) MUST BE STRAPPED FOR 60 MIL OPERATION.
17. A LINE RELAY SHALL BE USED IN THE TELETYPEWRITER WHEN A PULLING MAGNET IS USED.
18. PERF-TRANS OF LATER MANUFACTURE ARE EQUIPPED WITH THE 112570M CAM PULSING CONTACTS HAVING ONLY ONE SET OF CONTACT SPRINGS OPERATED FROM CAM NO.3.

19 TYPE TELETYPEWRITER
TYPICAL ARRANGEMENT
115 VOLT
A.C. POWER
SINGLE OPERATION WITH 15C BASE
19A TABLE



15A, B, C, D, E, F, G, J, K, L, R, SBT
 PERFORATOR TRANSMITTER
 SEE NOTE 12

PERF. TRANS.
 CONN. BLOCK
 (CB-A) (CB2)

LINE RELAY (CB5)
 SEE NOTE 16

ISC BASE
 SEE NOTE 10

MOVE FROM TERM. 61 TO 62
 WHEN LINE RELAY IS
 USED
 SEE NOTE 16

MOVE FROM TERM. 66 TO 65
 WHEN LINE RELAY IS
 USED
 SEE NOTE 16

PERFORATOR CONTROL CONTACTS

MOTOR UNIT C.B.
 (CB4-A) (CB4)

LOOPS AT CONTROL RELAY POSITION

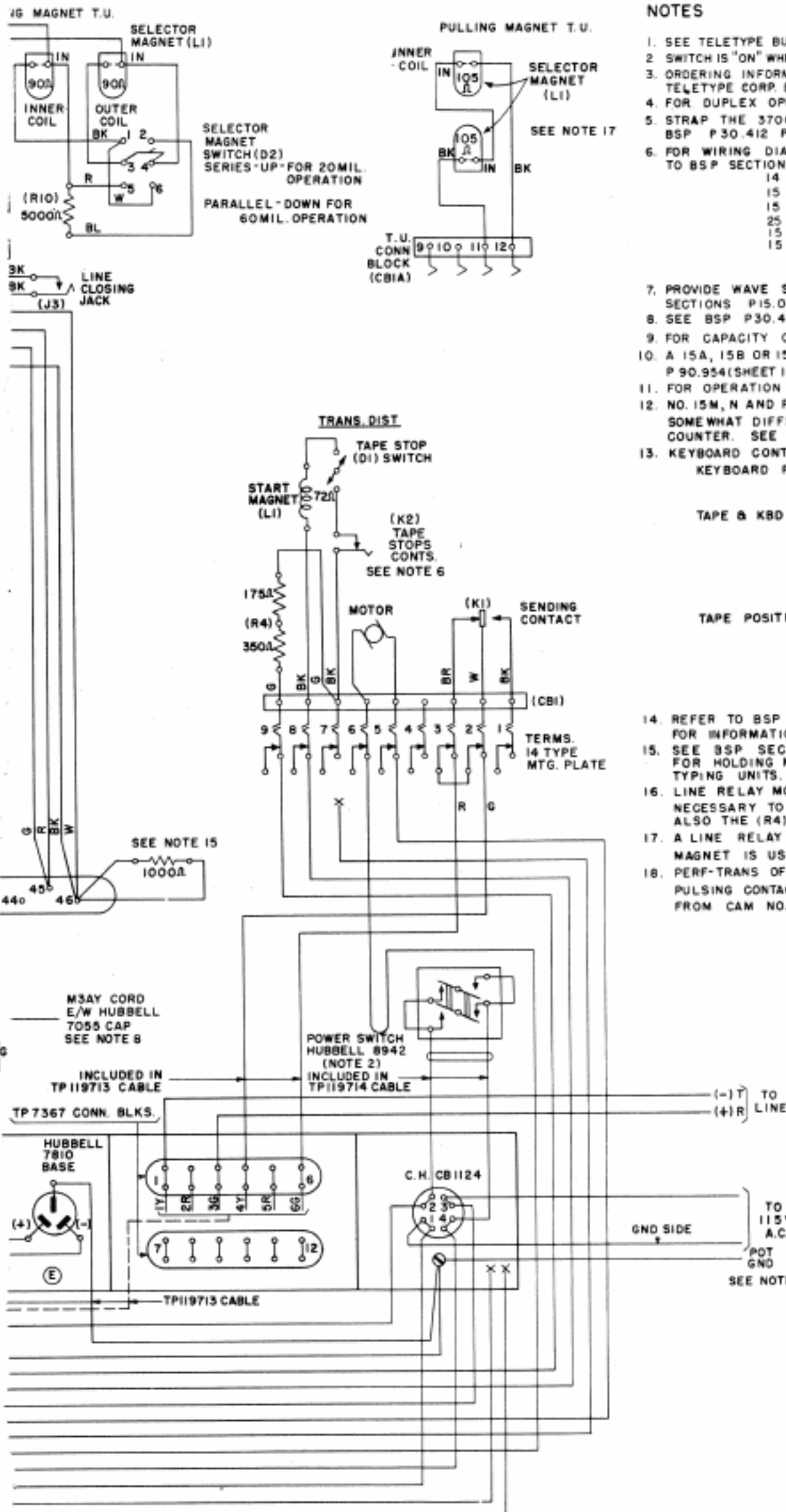
LOOPS AT STATION LINE RES. POSITION

XRT-205 TABLE
 SEE NOTE 3

SEE NOTES 1 & 6

SEE NOTE 9

SEE NOTE 9



NOTES

- SEE TELETYPE BULLETIN 1077B FOR PARTS NUMBERS
- SWITCH IS "ON" WHEN HANDLE POINTS TOWARD FRONT OF TABLE.
- ORDERING INFORMATION FOR TABLE ACCESSORIES CAN BE OBTAINED FROM TELETYPE CORP. BULLETIN NO. 1077
- FOR DUPLEX OPERATION SEE APPROPRIATE BSP SECTIONS AS REQUIRED.
- STRAP THE 3700 OHM PORTION OF (R10) FOR 60 MIL OPERATION. SEE BSP P30.412 PLAN M2.06.
- FOR WIRING DIAGRAMS AND OTHER INFORMATION OF COMPONENT UNITS, REFER TO BSP SECTIONS AS FOLLOWS:

14	TRANS.-DIST.	P 35.331
15	BASE	P 36.301
15	MOTOR UNIT	P 36.301
25	RELAY	P 31.161
15	TYPING UNIT	P 36.301
15	PERF.-TRANS. RECTIFIERS TABLE	P 38.322 P 31.101 P 33.016
- PROVIDE WAVE SHAPE SETS AND SWITCHBOARDS AS REQUIRED. SEE BSP SECTIONS P15.001, P30.620, P60.101, AA286.902 AND ABB4.026.
- SEE BSP P30.401 FOR COLOR CODE OF OLDER TYPE CORDS.
- FOR CAPACITY OF FUSTRONS REQUIRED, SEE BSP P31.152.
- A 15A, 15B OR 15D BASE MAY BE USED INSTEAD OF A 15C BASE. SEE SECTIONS P90.954(SHEET 1) OR P90.955.
- FOR OPERATION OF CHARACTER COUNTER SEE BSP ABB4.140.
- NO. 15M, N AND P PERFORATORS MAY ALSO BE USED, HOWEVER, THEY HAVE A SOMEWHAT DIFFERENT WIRING ARRANGEMENT, PRIMARILY IN THE CHARACTER COUNTER. SEE BSP P38.322.
- KEYBOARD CONTROL OPERATING LEVER FUNCTIONS
 - KEYBOARD POSITION- PERF. CONTROL CONTS. ALL OPEN, PUNCH MAGNET WILL NOT BE ENERGIZED, CAN TRANSMIT DIRECT KEYBOARD BUT NOT FROM TRANS. DIST.
 - TAPE & KBD POSITION- LOWER PAIR PERF. CONTROL CONTS. CLOSED, PUNCH MAGNET ENERGIZED DUE TO OPERATING SPRING OF THE CAM PULSING CONTS. RIDING INTO INDENTS ON TWO OF THE TRANSMITTING CAMS TOGETHER WITH CLOSURE OF "U" BAR CONTACTS. CAN SEND KEYBOARD AND PERFORATE TOGETHER, ALSO CAN USE T.D. BUT NOT SIMULTANEOUSLY WITH KEYBOARD.
 - TAPE POSITION- ALL PERF. CONTROL CONTS. CLOSED, TRIP-OFF PAWL HELD DOWN PREVENTING KEYBOARD SENDING, OPERATION OF ANY KEY LEVER MOVES UNIVERSAL BAR DOWN CAUSING U-BAR CONTS. TO CLOSE WHICH ENERGIZES PUNCH MAGNET TO PERFORATE TAPE. REPEAT SPACE MECHANISM DISABLED. CAN TRANSMIT FROM TRANS. DIST. ONLY.
- REFER TO BSP SECTION P30.019 FOR TYPE OF POWER CORD TO BE USED AND FOR INFORMATION AS TO WHEN POTENTIAL GROUND IS REQUIRED.
- SEE BSP SECTION P31.163 FOR INFORMATION ON USE OF 1000 OHM SHUNT FOR HOLDING MAGNET TYPING UNITS. NOT REQUIRED WITH PULLING MAGNET TYPING UNITS.
- LINE RELAY MOUNTING UNIT IS NOT PROVIDED ON 15C BASES. WHEN IT IS NECESSARY TO USE A LINE RELAY PROVIDED A 15D BASE INSTEAD OF 15C. ALSO THE (R4) RESISTANCE (8000 OHMS) MUST BE STRAPPED FOR 60MIL OPERATION.
- A LINE RELAY SHALL BE USED IN THE TELETYPEWRITER WHEN A PULLING MAGNET IS USED.
- PERF-TRANS OF LATER MANUFACTURE ARE EQUIPPED WITH THE 112570M CAM PULSING CONTACTS HAVING ONLY ONE SET OF CONTACT SPRINGS OPERATED FROM CAM NO. 3.

19 TYPE TELETYPEWRITER

TYPICAL ARRANGEMENT
115 VOLT
A.C. POWER
SINGLE OPERATION WITH 15C BASE
XRT 205 TABLE