

FIG 1  
 SINGLE PLS OPERATION OF Q102 UNIT  
 STRAPPING OF BREAK-TRANSFER SET TERMINALS  
 AND CABLING BETWEEN BREAK-TRANSFER SET TERMINALS  
 TO Q102 TABLE TERMINALS

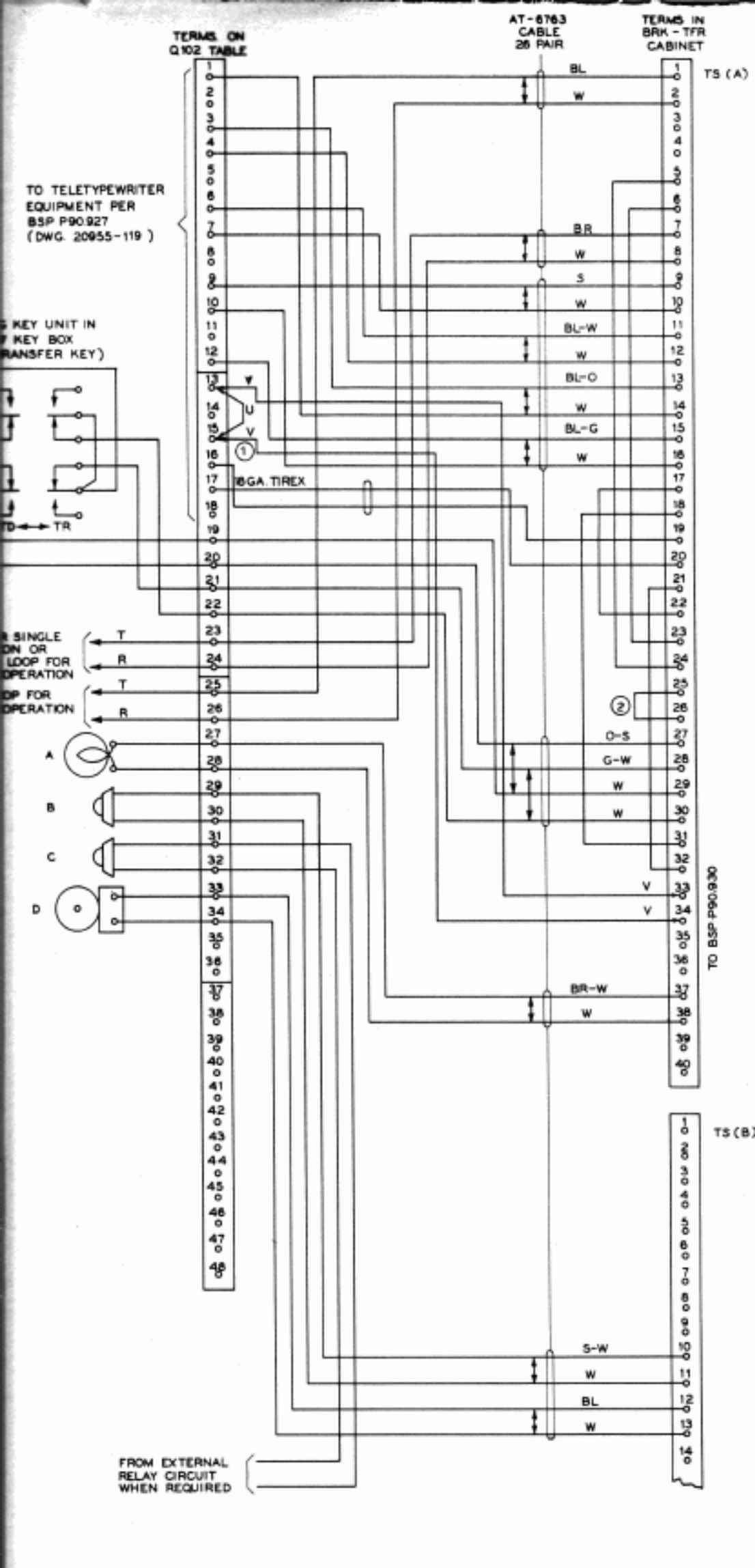


FIG. 2

DUPLEX PLS OPERATION OF Q102 UNIT  
 STRAPPING OF BREAK-TRANSFER SET TERMINALS  
 AND CABLING BETWEEN BREAK-TRANSFER SET TERMINALS  
 TO Q102 TABLE TERMINALS

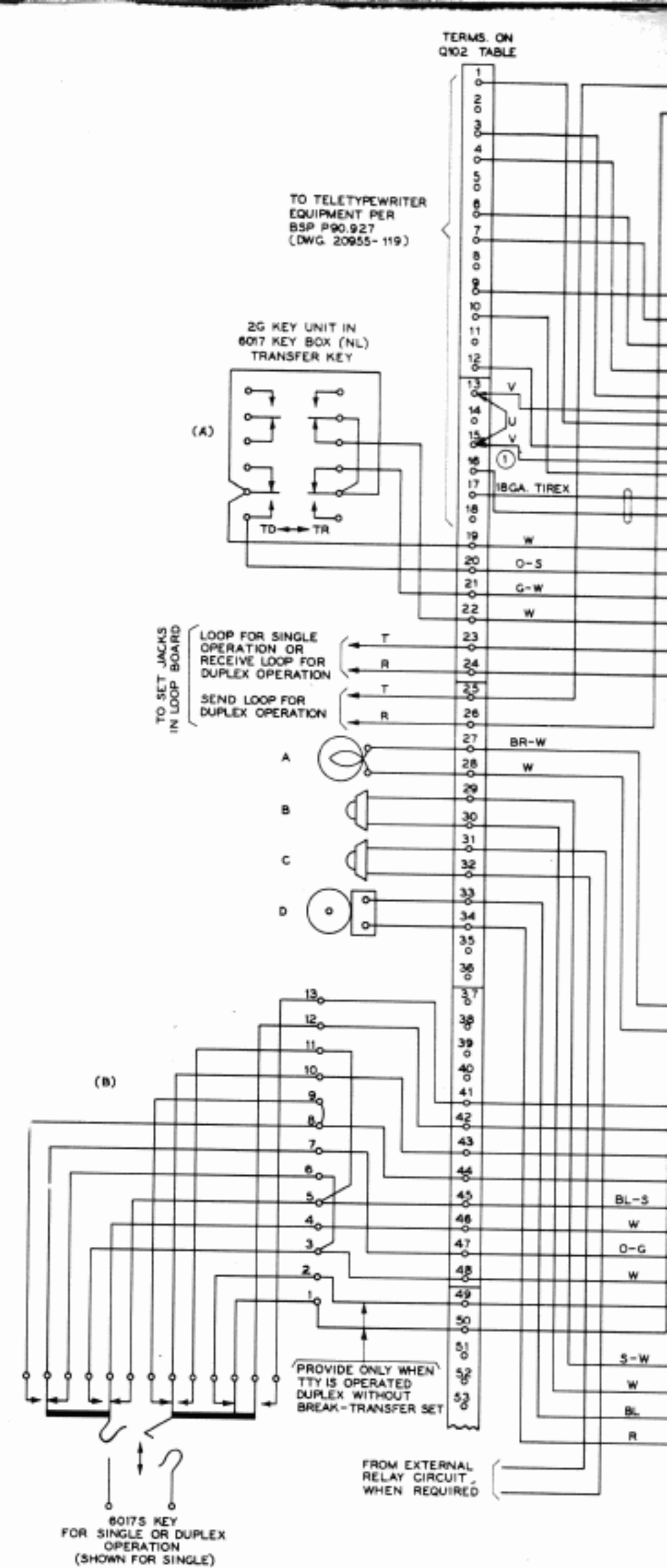


FIG. 3

SINGLE OR DUPLEX PLS OPERATION OF SPARE Q102 UNIT, KEY CONTROL  
 STRAPPING OF BREAK-TRANSFER SET TERMINALS  
 AND CABLING BETWEEN BREAK-TRANSFER SET TERMINALS  
 TO Q102 TABLE TERMINALS

TERMS ON Q102 TABLE

AT-6763 CABLE 26 PAIR

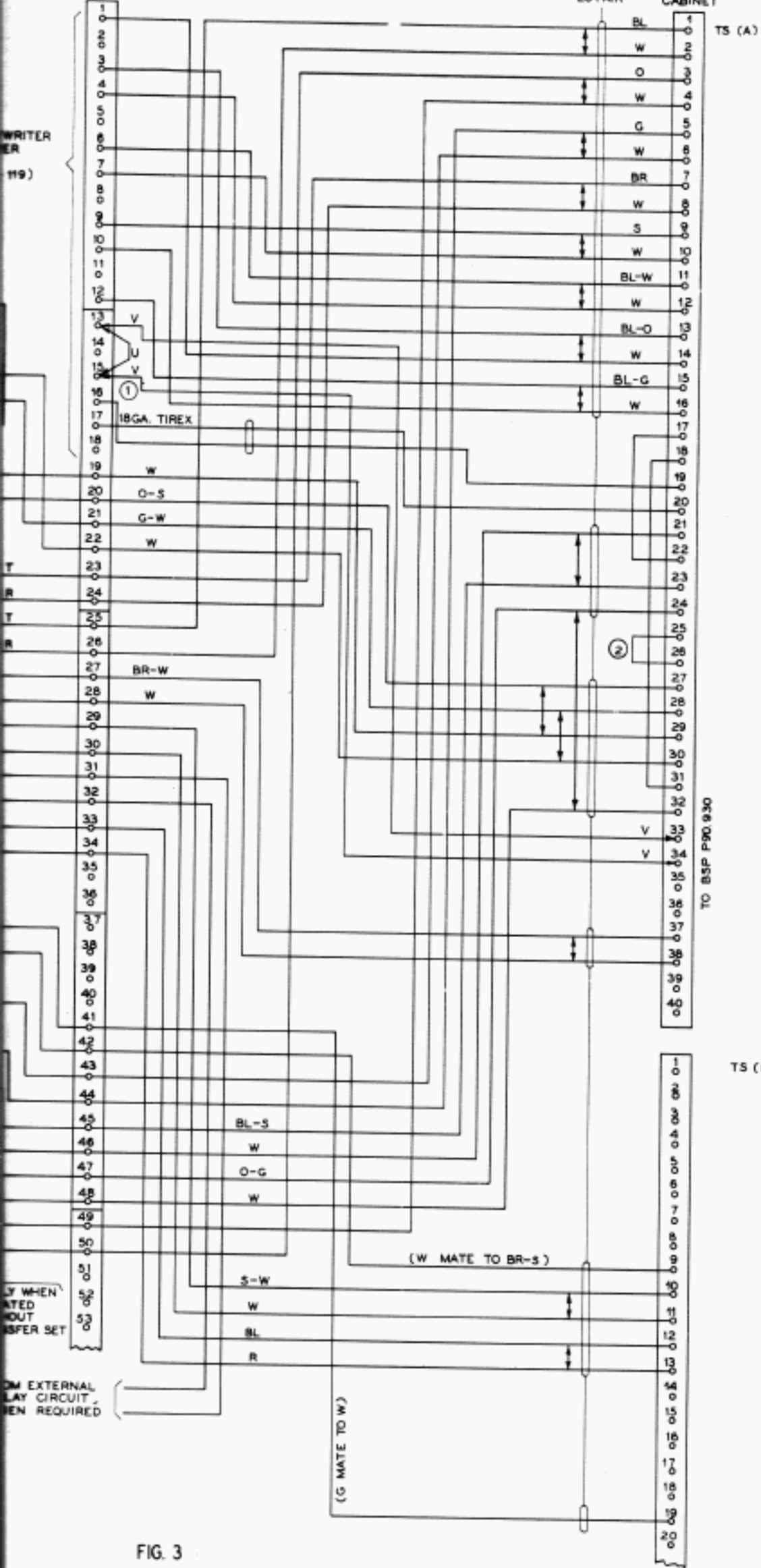
TERMS IN BRK-TFR CABINET

BELL SYSTEM PRACTICES  
TELETYPEWRITER STATION  
INSTALLATION AND MAINTENANCE  
(REPRODUCED FROM DWG. 20963-119 SHEET 1)

SECTION P90.928  
ISSUE A FEBRUARY 1943  
LONG LINES DEPT.  
PAGE 1 OF 2 PAGES

Dist. Class. (LDDC)  
(600AC)

WRITER (119)



TO BSP P90.930

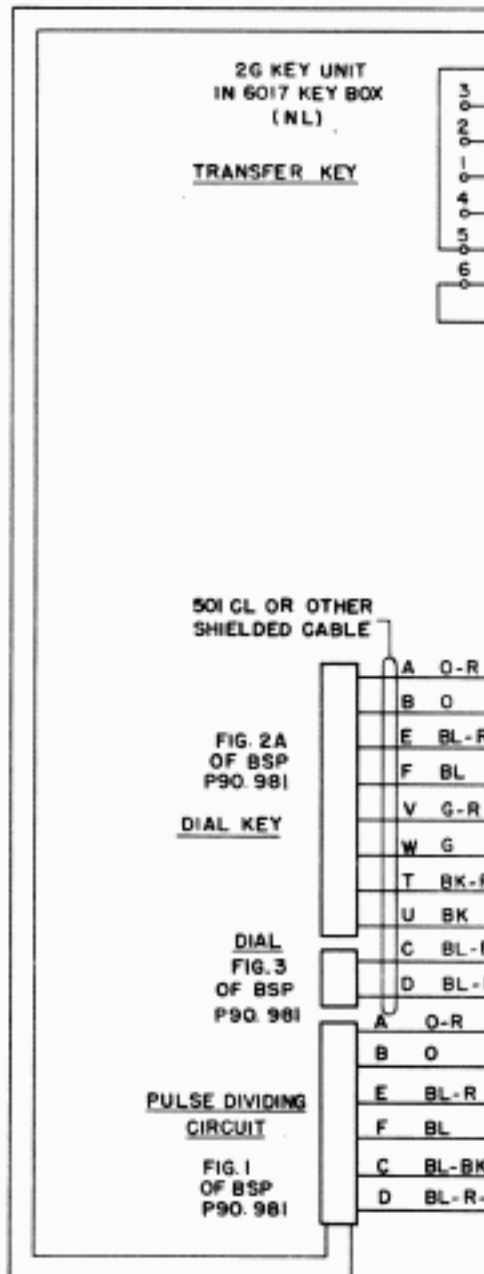
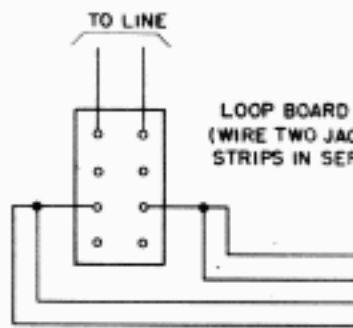
NOTES

- A-NO. 72 MAZDA LAMP IN 4G LAMP STANDARD
  - B-15-A-3 INDICATOR (BREAK-TRANSFER LAMP) WHEN SPECIFIED
  - C-ADDITIONAL 15 TYPE INDICATOR WHEN SPECIFIED
  - D-BUZZER OR BELL WHEN SPECIFIED FOR ANOTHER RELAY CIRCUIT.
  - WIRES NOT OTHERWISE SPECIFIED SHALL BE 22GA. BROWN INSIDE TELEPHONE WIRING.
- 1 - WHEN BIAS CIRCUIT IS EXTENDED USE U WIRING FOR 60 MIL OPERATION AND V WIRING FOR 20 MIL OPERATION.
  - 2 - USE THIS STRAP ONLY WHEN THE B-T CIRCUIT IS TO OPERATE ON A SHORT BREAK OF 0.7 SECOND.

FIG. 3  
SINGLE OR DUPLEX PLS OPERATION  
OF SPARE Q102 UNIT, KEY CONTROL  
MAPPING OF BREAK-TRANSFER SET TERMINALS  
RELATING BETWEEN BREAK-TRANSFER SET TERMINALS  
TO Q102 TABLE TERMINALS

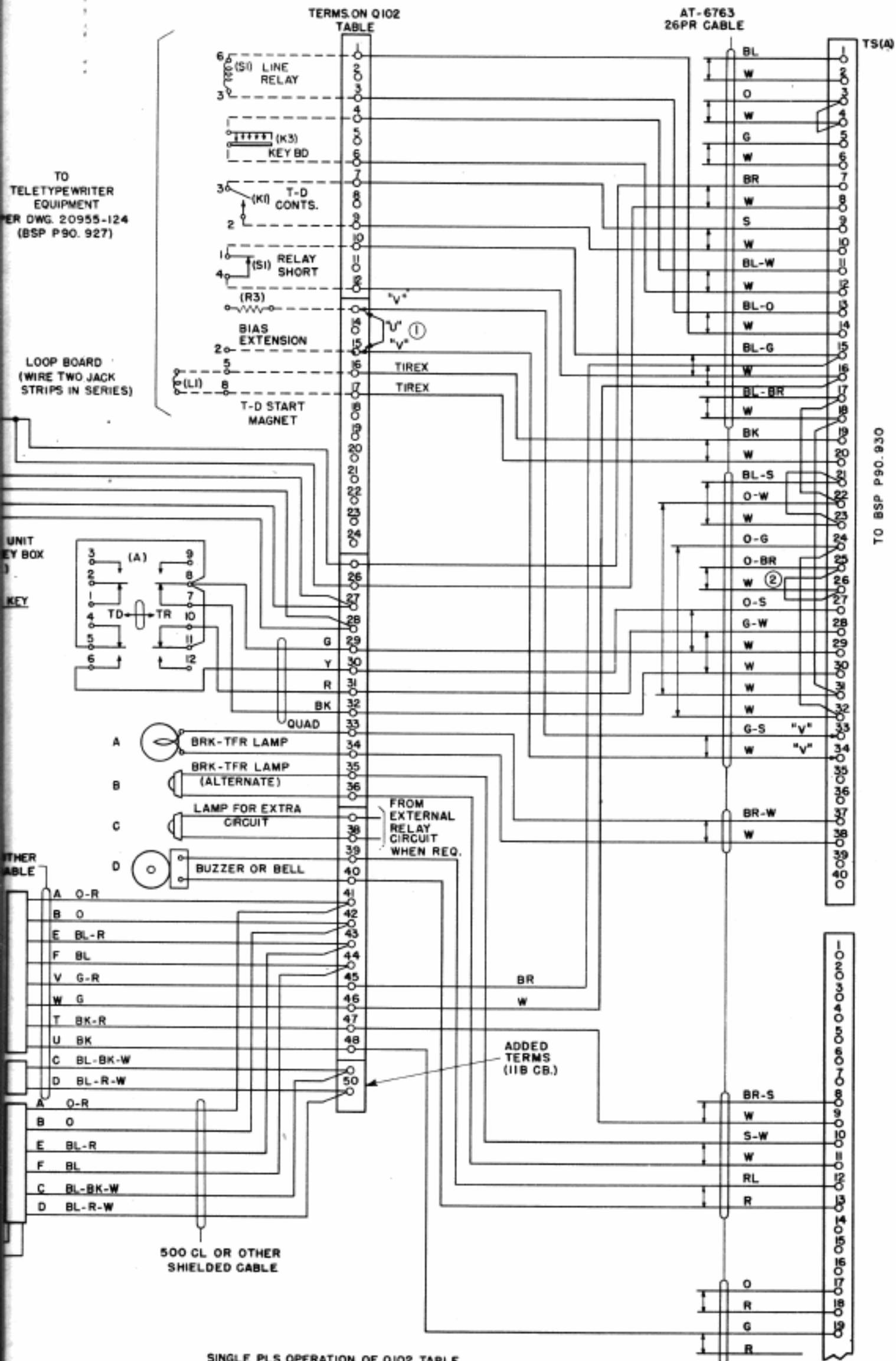
TELETYPEWRITER SYSTEMS  
Q102 ASSEMBLY WITH  
BREAK-TRANSFER CIRCUIT  
PLS OPERATION

TO  
TELETYPEWRITER  
EQUIPMENT  
PER DWG. 20955-  
(BSP P90. 927)



WIRES NOT OTHERWISE SPECIFIED SHALL BE 22 GA. BROWN INSIDE TELEPHONE WIRING.

Dist. Class. (LOGAC  
(600AC



ADD STRAPS TO  
TS (A) AS FOLLOWS:  
TERM 3 TO TERM 4  
\* 17 \* \* 22  
\* 18 \* \* 31  
\* 21 \* \* 23  
\* 24 \* \* 32  
\* 25 \* \* 26 ②

TO BSP P90.930

SINGLE PLS OPERATION OF Q102 TABLE  
60 TYPE SELECTOR AND BREAK TRANSFER CIRCUIT  
STRAPPING OF BRK-TFR SET TERMINALS AND  
CABLING BETWEEN BRK-TFR SET, Q102 TABLE  
AND 60 TYPE SELECTOR

FIG. 1A