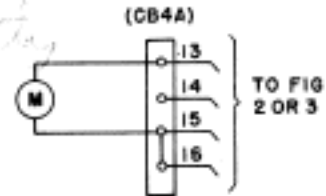


*Followed by...*



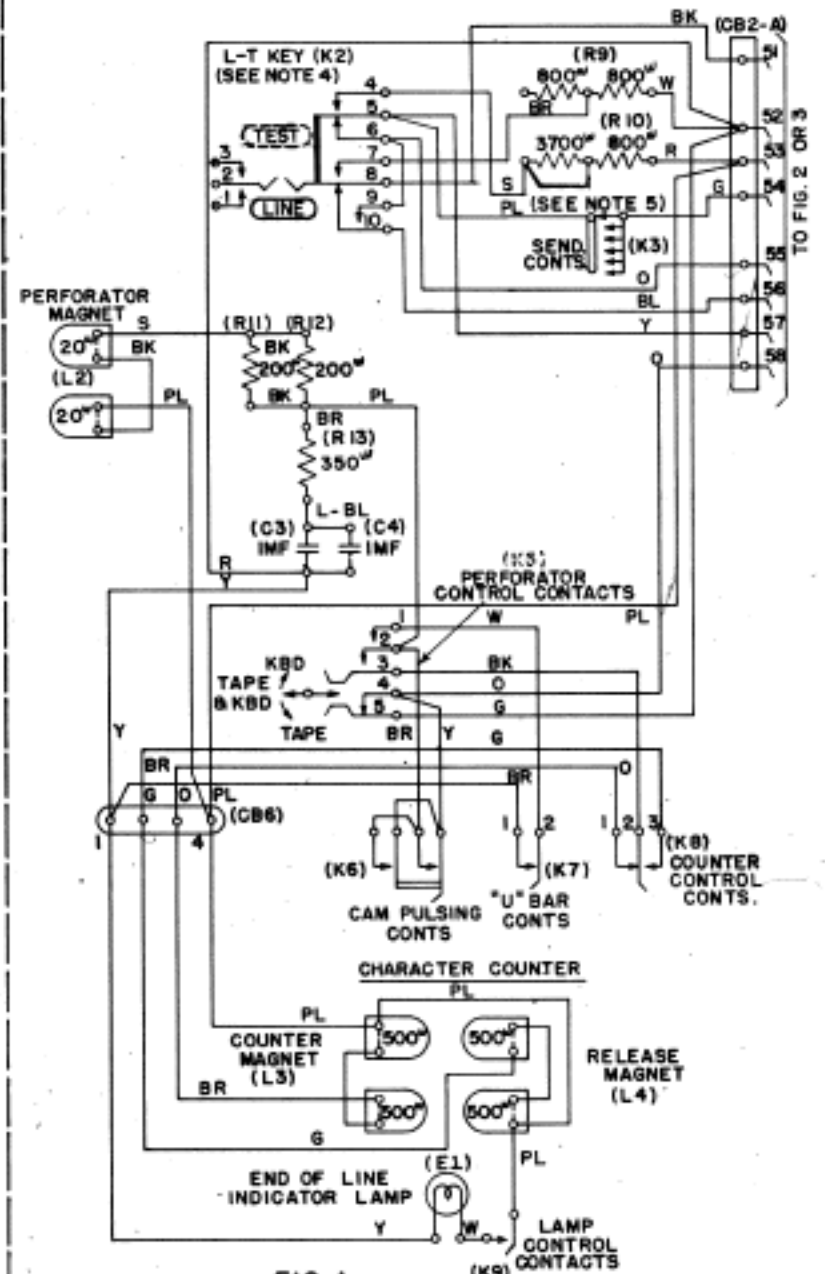
**FIG. 7**  
MOTOR UNIT  
(CONN. SHOWN FOR SYNCH. MOTOR.  
SEE BSP P36.301 FOR OTHER  
TYPES)

SHOWN FOR USE WITHOUT LINE RELAY  
IF LINE RELAY IS REQUIRED MOVE  
BK WIRE FROM TERM 61 TO TERM 62  
AND G WIRE FROM TERM 66 TO  
TERM 65 PER PLAN M2.16 AND  
PROVIDE FIG. B.

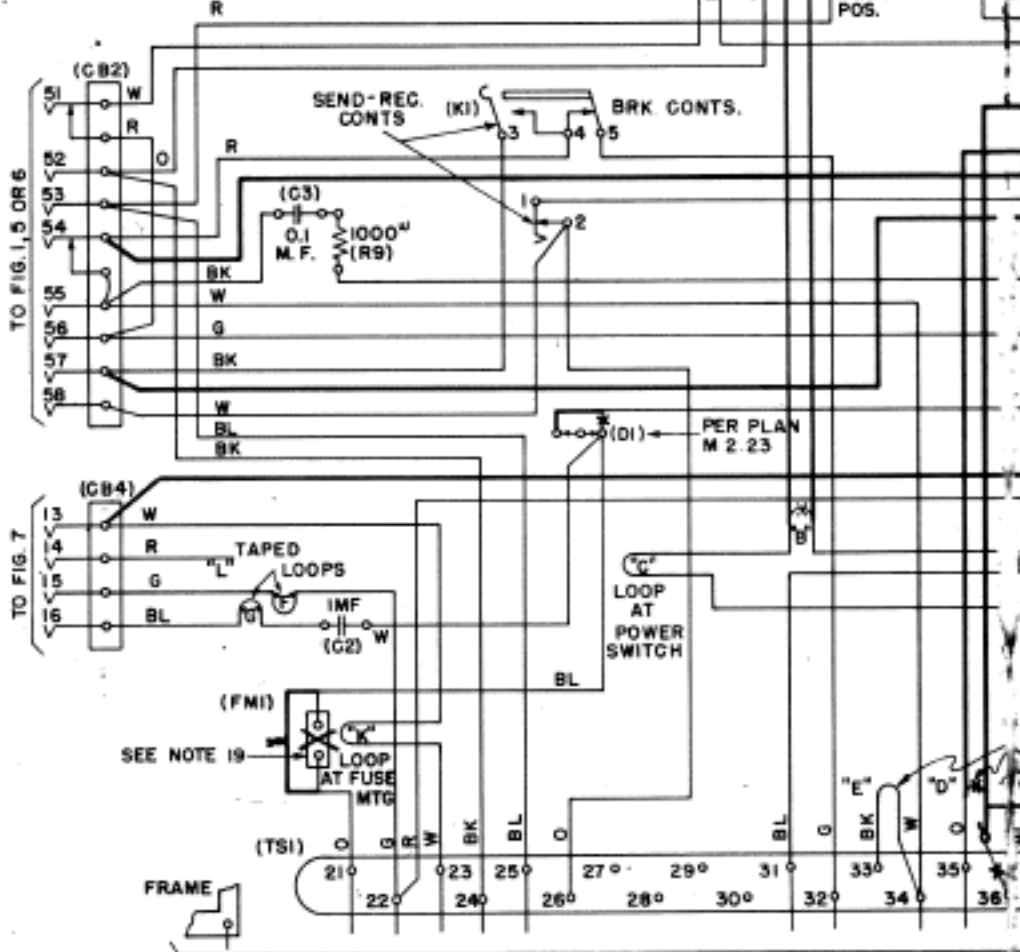
TO FIG. B (WHEN REQ.)  
(SEE NOTES 11 & 13)

"J" AT (R3 POS. TAPED)

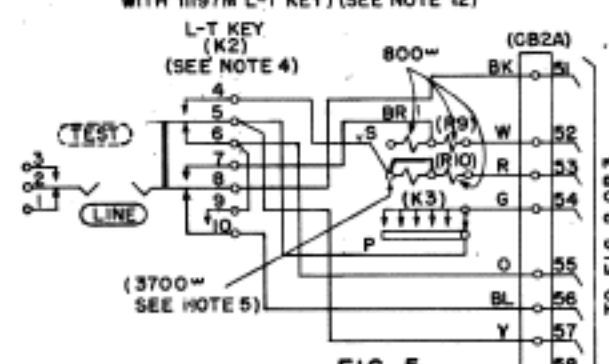
THESE CHANGES REQUIRED  
ONLY ON NO. 19 SETS  
(SEE NOTE 13A)



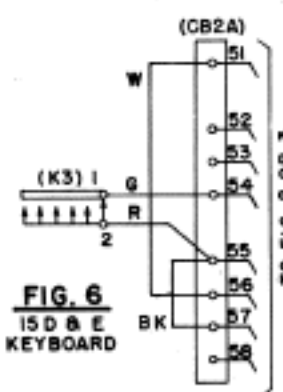
**FIG. 1**  
PERFORATOR-TRANSMITTER  
(15A, B, C, D, E, F, G, J, K, L, R, S, OR T.  
WITH 1197M L-T KEY) (SEE NOTE 12)



**FIG. 2**  
15C OR 15D BASE  
(TO FIG. E, G, H, K, L OR M)

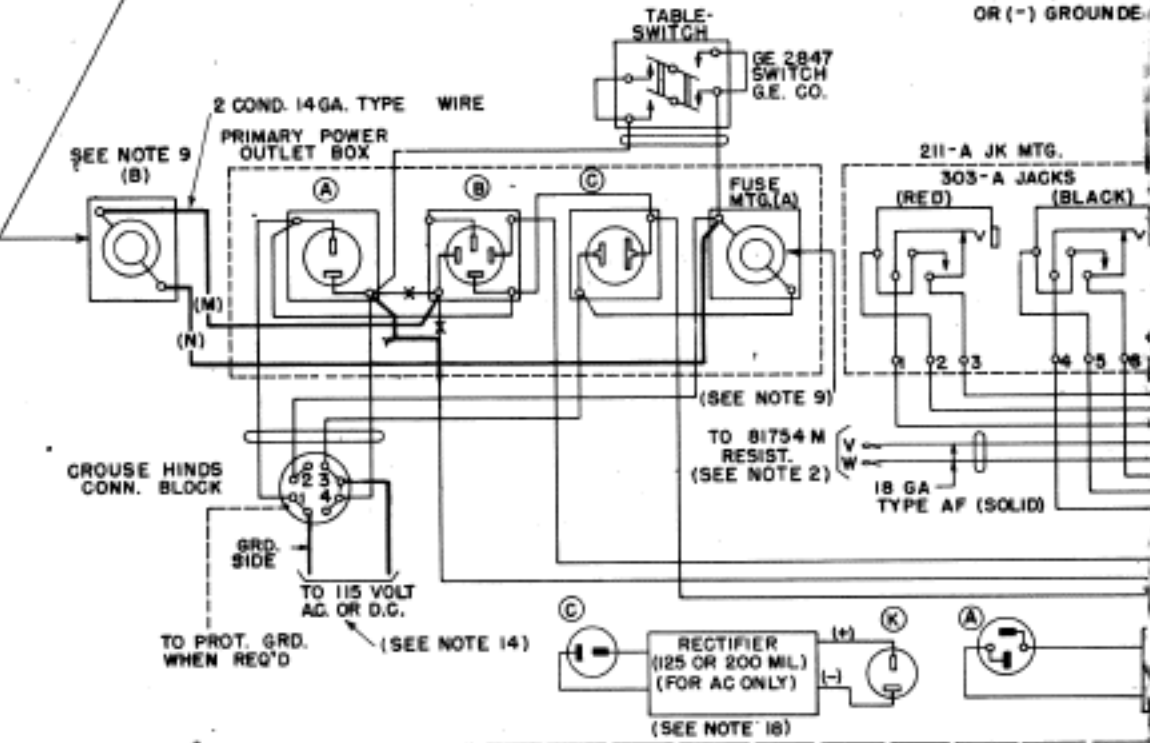


**FIG. 5**  
15A, B, C  
KEYBOARD  
(WITH 1197M L-T KEY)



**FIG. 6**  
15D & E  
KEYBOARD

FUSE FOR T U 4SSL 1/2  
APPLETON HANDY BOX  
8 BL-ON TYPE FUSTAT MOUNTING  
AND BUSHINGS. (SEE FIG. N)



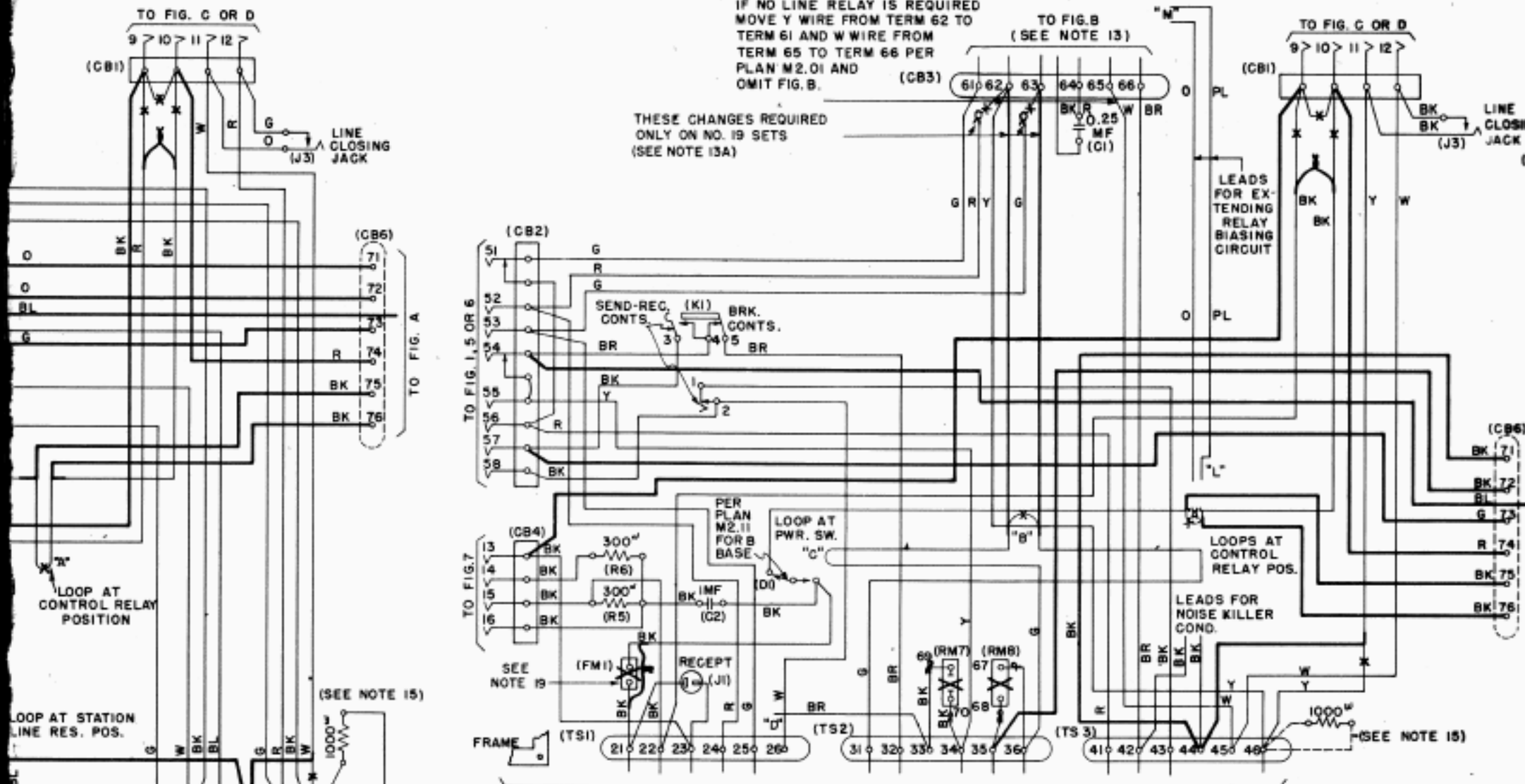
**FIG. E**

TTY POWER AND I/O  
FOR 19A TABLE. (SEE  
TABLE WIRED PER  
FIG. 2)

SHOWN FOR A.C. OR D.C.  
OR (-) GROUNDED

SHOWN FOR USE WITH LINE RELAY.  
 IF NO LINE RELAY IS REQUIRED  
 MOVE Y WIRE FROM TERM 62 TO  
 TERM 61 AND W WIRE FROM  
 TERM 65 TO TERM 66 PER  
 PLAN M2.01 AND  
 OMIT FIG. B.

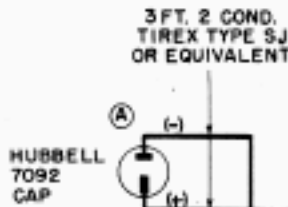
THESE CHANGES REQUIRED  
 ONLY ON NO. 19 SETS  
 (SEE NOTE 13A)



**FIG. 3**

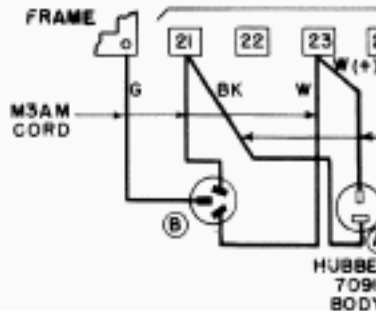
15A AND B BASE  
 (TO FIG. E, G, H, K, L OR M)

SHOWN FOR (+) GROUND SUPPLY  
 REVERSE FOR UNGROUNDED  
 OR (-) GROUND SUPPLY



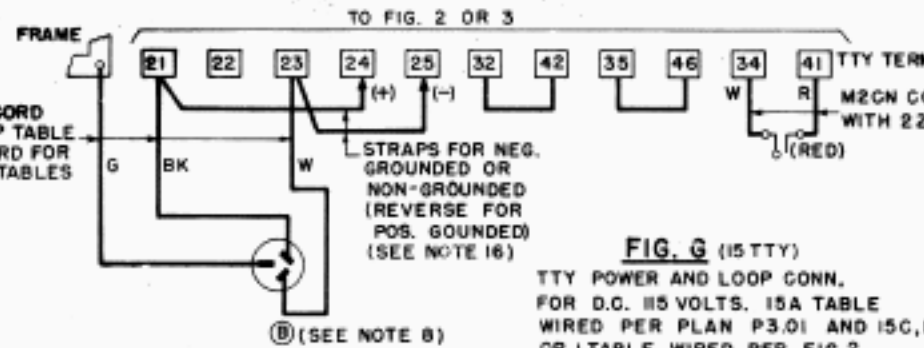
**FIG. F**

PATCH CORD FOR 19 SET  
 WHEN POWER SUPPLY IS DC  
 (SEE NOTE 1)



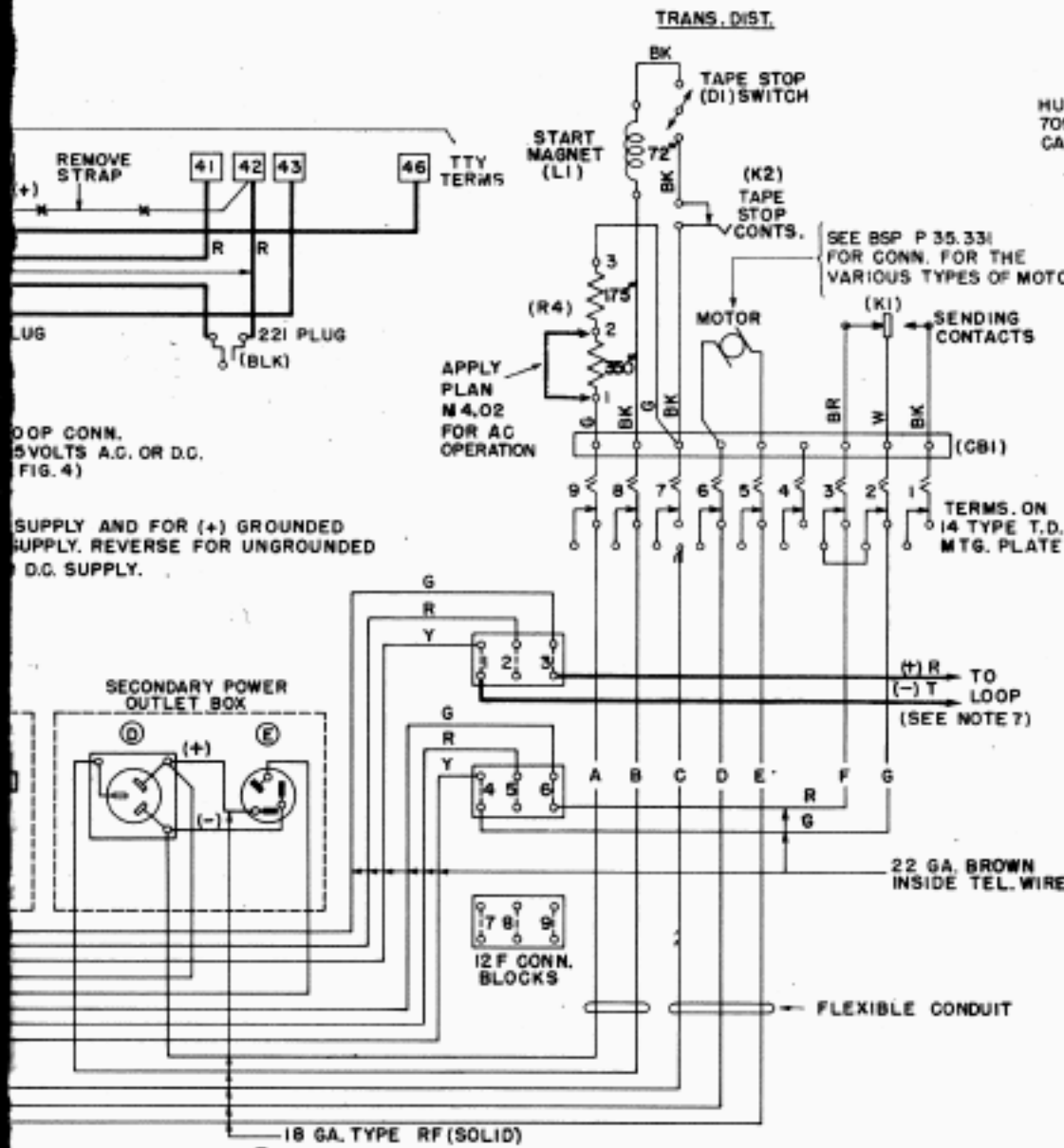
**FIG. G (15 TTY)**

TTY POWER AND LOOP CONN.  
 FOR D.C. 115 VOLTS. 15A TABLE  
 WIRED PER PLAN P3.01 AND 15C,  
 D OR J TABLE WIRED PER FIG. 2  
 BSP P90.958 AND 15P TABLE  
 WIRED PER PLAN P2.02  
 (SEE NOTE 20)



**FIG. H (15 TTY)**

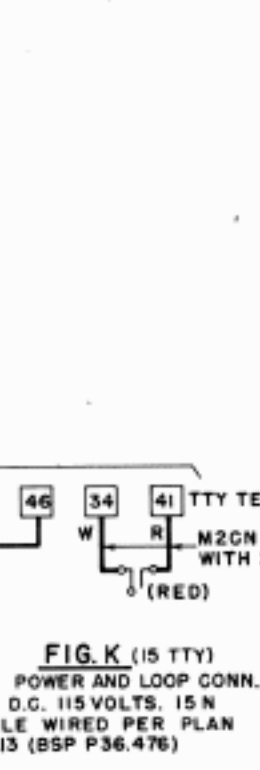
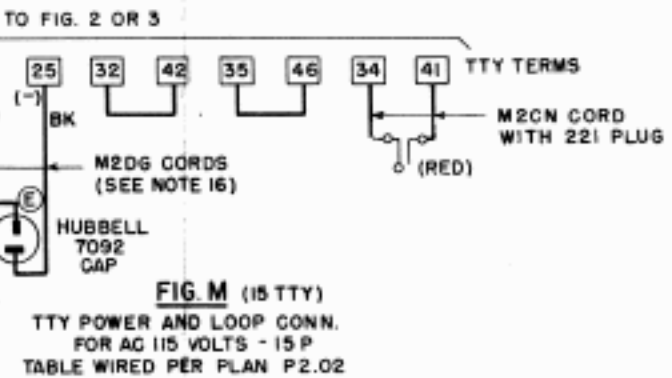
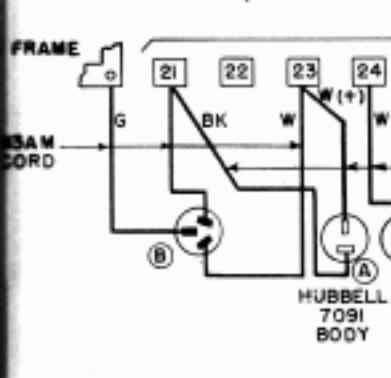
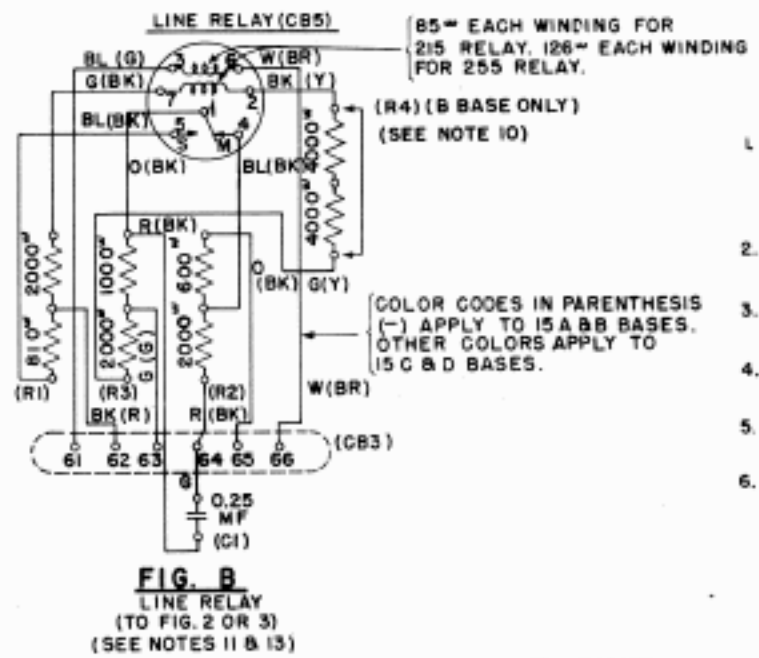
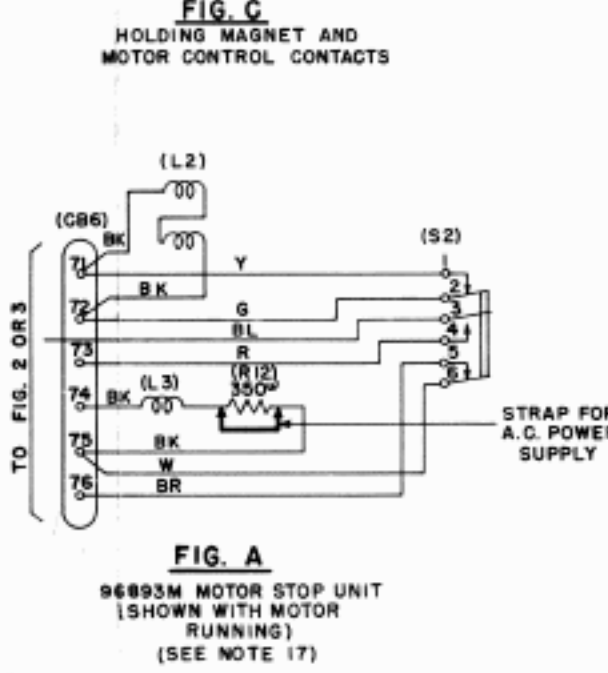
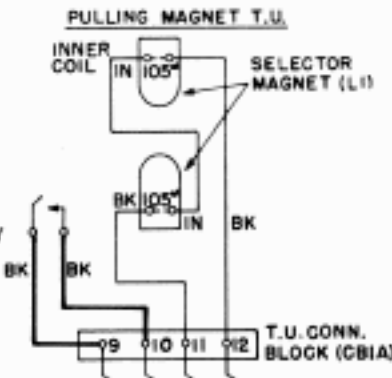
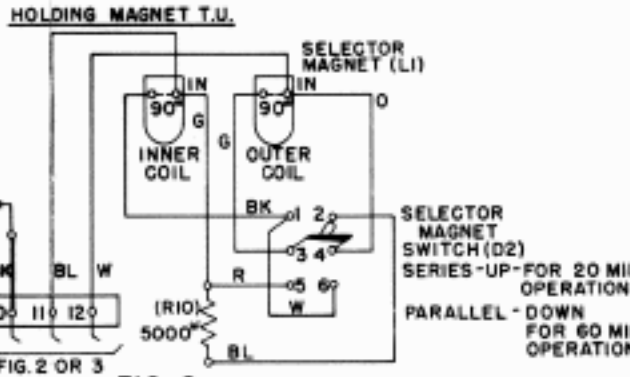
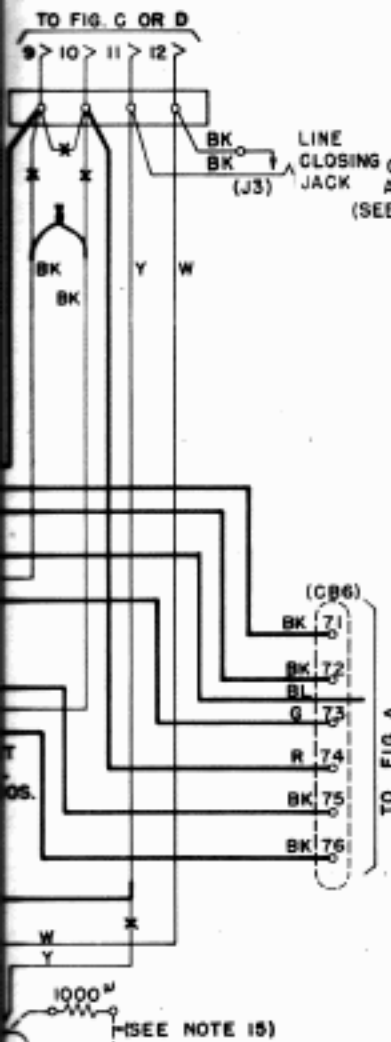
TTY POWER AND LOOP CONN.  
 A.C. 115 VOLTS. 15A TABLE WIRED  
 PER PLAN P3.01 AND 15C, D OR J TAB  
 WIRED PER FIGS. 1 OR 2 BSP P90.958  
 (SEE NOTE 20)



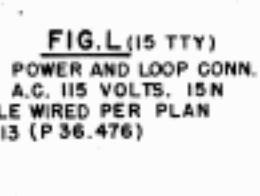
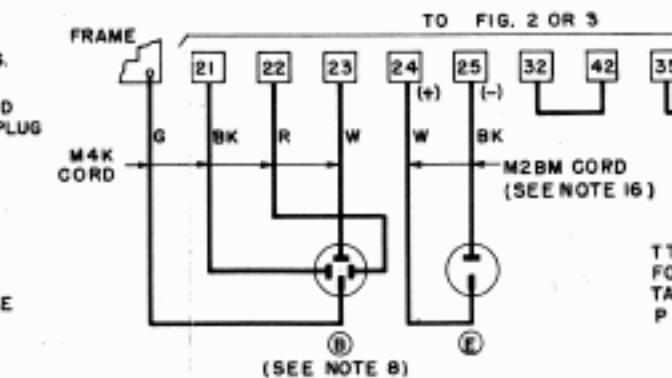
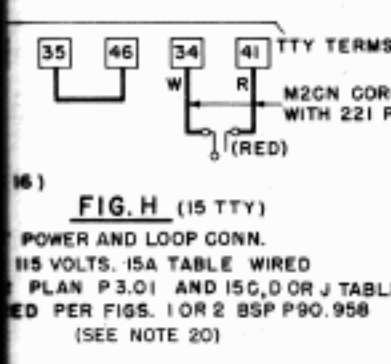
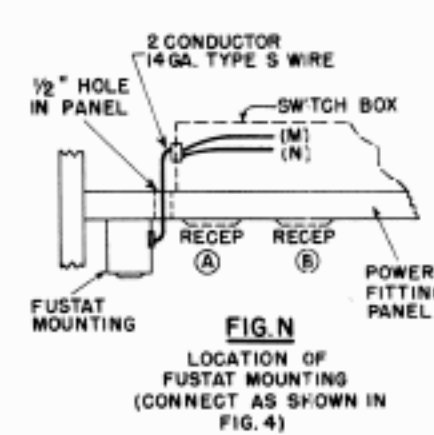
**FIG. 4**

15A TABLE  
 (SEE NOTE 3)

RECTIFIER (+)  
 100 OR 500 ML  
 FOR AC ONLY  
 (SEE NOTE 1)

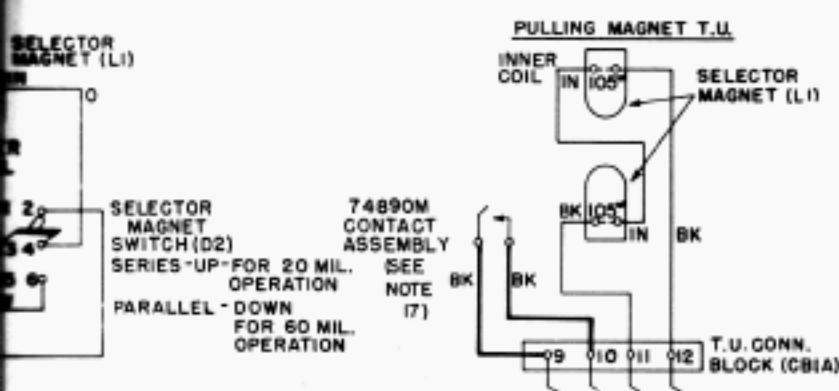


FIGURES ASSOCIATED WITH	
15 TTY SET	19 TTY SET
FIG. 2 OR 3	FIG. 1
FIG. 5 OR 6	FIG. 2 OR 3
FIG. A	FIG. 4
FIG. B	FIG. A
FIG. C OR D	FIG. B
FIG. G, H, K, L OR M	FIG. C OR D
FIG. 7	FIG. E
	FIG. F (DC ONLY)
	FIG. N
	FIG. 7

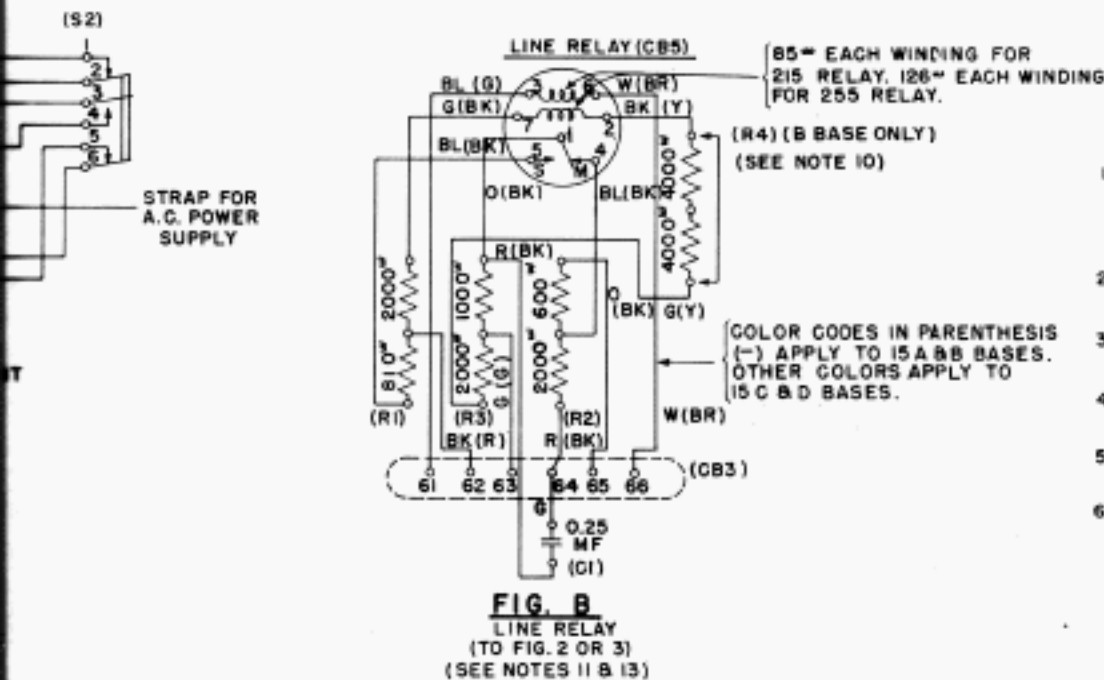


- KEY-**
- EXISTING WIRES
  - X WIRES REMOVED OR REMOVED & TAPED
  - ADDED WIRES
  - ⊗ APPARATUS REMOVED
  - SPlice AND TAPE

- A. (L2) OF FIG. A IS IN S RELAY IS USED.
- B. TAPE SWITCH CONTACT ON NO. 19 SETS.
- C. PERFORMATOR ON NO. 19 SETS.
- D. SWITCH (D1) IN BASE (SHOULD BE LARGE RECTIFIER, SWITCH, SMALL RECT AT ALL TIMES.
- E. LARGE RECTIFIER, SWITCH, SMALL RECT AT ALL TIMES.
- F. (A) WHEN POWER SU (B) FOR VOLTAGE SE
- G. TAPE THE "V" AND "W"
- H. ORDERING INFORMATI FROM DRAWING ED- P36.301 AND P38.322.
- I. STRAP THE 3700 OH SEE BSP P30.412 P
- J. FOR WIRING DIAGRAM AS FOLLOWS:
  - 14 TR.
  - 15 BA
  - 15 MO
  - 215 OR 255 RE
  - 15 TY
  - 15 PE
  - MO
  - REC
- K. PROVIDE WAVE SHAP BSP SECTIONS P15.
- L. SEE BSP P30.401 F
- M. FOR CAPACITY FOR P P31.152; FOR CAPACI FOR 15 TTY; FUSING
- N. IF A 15B BASE IS STRAPPED FOR 60
- O. LINE RELAY MOUNT IT IS NECESSARY TO OF PARTS AND APP RESISTANCE (8000 15D BASE IS EQUIPE NO. 15M, N AND P PE HAVE A SOMEWHAT THE CHARACTER CO
- P. (A) WHEN A 19ASR (B) WHEN A 15 TTY IS THE TTY IS USED OF REQUIREMENTS OF B OF CIRCUIT OPERATI
- Q. REFER TO BSP SECTI AND FOR INFORMATI
- R. SEE BSP SECTION P3 FOR HOLDING MAGNE MAGNET TYPING UNI
- S. WHEN LINE RELAY IS FOLLOWING ITEMS:
  - FIGUR
  - FIG. G
  - FIG. H
  - FIG. K
  - FIG. L
  - FIG. M
- T. PART OF 96892 M SET OF PARTS PER C OR D.
- U. PROVIDE 125 OR 20 IN A.C. OPERATION.
- V. ON NO. 15 TELETYPEWRITERS, A IN TABLE PER BSP SECT. P36. P90.958
- W. WHEN 15 TTY IS USED WITH 8 & 15J COVER, LEAVE SWITCH ( IN 15C & 15D BASES, AND DIS IN 15A & 15B BASES.

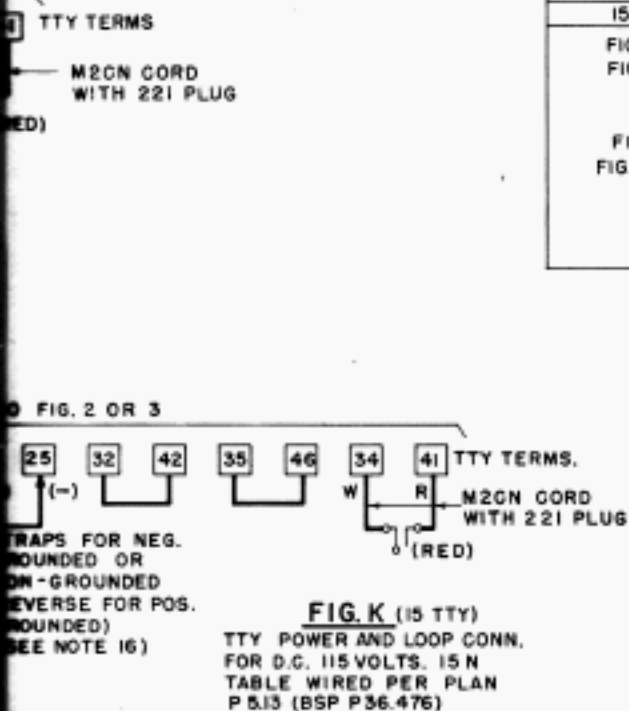


**FIG. D**  
PULLING MAGNET AND  
MOTOR CONTROL CONTACTS  
(TO FIG. 2 OR 3)

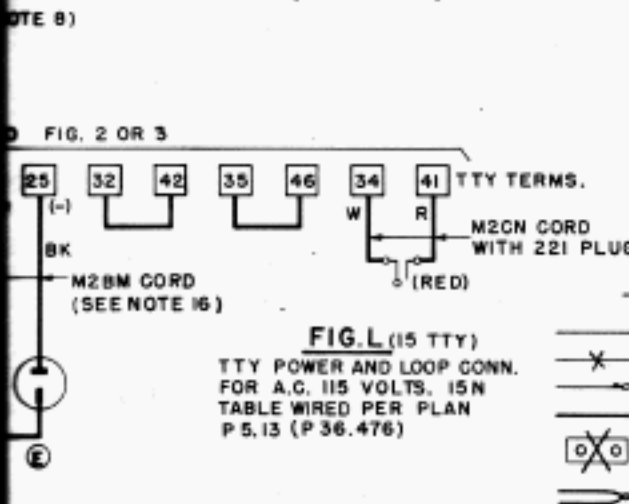


**FIG. B**  
LINE RELAY  
(TO FIG. 2 OR 3)  
(SEE NOTES 11 & 13)

TABLE I	
FIGURES ASSOCIATED WITH	
15 TTY SET	19 TTY SET
FIG. 2 OR 3	FIG. 1
FIG. 5 OR 6	FIG. 2 OR 3
FIG. A	FIG. 4
FIG. B	FIG. A
FIG. C OR D	FIG. B
FIG. G, H, K, L, O, R, M	FIG. C OR D
FIG. 7	FIG. E
	FIG. F (DC ONLY)
	FIG. N
	FIG. 7



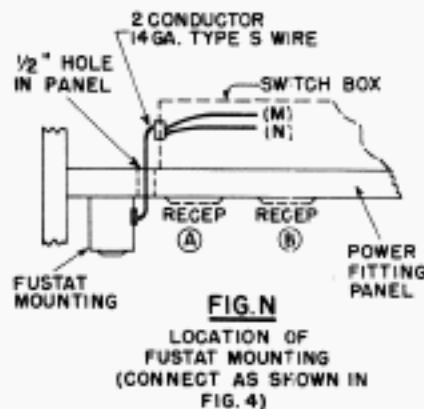
**FIG. K (15 TTY)**  
TTY POWER AND LOOP CONN.  
FOR D.C. 115 VOLTS. 15N  
TABLE WIRED PER PLAN  
P 5.13 (BSP P36.476)



**FIG. L (15 TTY)**  
TTY POWER AND LOOP CONN.  
FOR A.C. 115 VOLTS. 15N  
TABLE WIRED PER PLAN  
P 5.13 (P 36.476)

**-KEY-**

- EXISTING WIRES
- X — WIRES REMOVED OR REMOVED & TAPED
- + — ADDED WIRES
- O — APPARATUS REMOVED
- / — SPLICE AND TAPE



**FIG. N**  
LOCATION OF  
FUSTAT MOUNTING  
(CONNECT AS SHOWN IN  
FIG. 4)

**FEATURES**

- A. (L2) OF FIG. A IS IN SERIES WITH THE SELECTOR MAGNET (L1) WHEN LINE RELAY IS USED.
- B. TABLE SWITCH CONTROLS TRANS.-DIST. MOTOR AND LARGE RECTIFIER ONLY ON NO. 19 SETS.
- C. PERFORATOR ON NO. 19 SETS OPERABLE ONLY WHEN TABLE SWITCH IS CLOSED.
- D. SWITCH (D1) IN BASE OPERABLE FOR CHANGING PAPER AND RIBBON. (SHOULD BE CLOSED ALL OTHER TIMES.)
- E. LARGE RECTIFIER, WHEN USED ON NO. 19 SET, UNDER CONTROL OF TABLE SWITCH. SMALL RECTIFIER, WHEN USED ON NOS. 15 AND 19 SETS CONNECTED AT ALL TIMES.

**NOTES**

1. (A) WHEN POWER SUPPLY IS DC PROVIDE PATCH CORD PER FIG. F.  
(B) FOR VOLTAGE SETTINGS SEE BSP P31.101 FOR RECTIFIERS
2. TAPE THE "V" AND "W" LEADS SEPARATELY.
3. ORDERING INFORMATION FOR TABLE ACCESSORIES CAN BE OBTAINED FROM DRAWING ED-61221-012.
4. FOR KEYBOARDS AND PERF.-TRANS. WITH PLUNGER TYPE L-T KEY SEE BSP P36.301 AND P36.322.
5. STRAP THE 3700 OHM PORTION OF (R10) FOR 60 MIL OPERATION, SEE BSP P30.412 PLAN M2.06.
6. FOR WIRING DIAGRAMS OF COMPONENT UNITS, REFER TO BSP SECTIONS AS FOLLOWS:
 

14 TRANS.-DIST.	P35.331	19A TABLE BELL LAB. DWG.
15 BASE	P36.301	SD-64052-81
15 MOTOR UNIT	P36.301	15 KEYBOARD P36.301
215 OR 255 RELAY	P31.161	
15 TYPING UNIT	P36.301	
15 PERF.-TRANS.	P38.322	
MOTOR-GEN. SET	P31.105	
RECTIFIERS	P31.101	
7. PROVIDE WAVE SHAPE SETS AND SWITCHBOARDS AS REQUIRED. SEE BSP SECTIONS P15.001, P30.620, P60.101, AA286.902 AND AB84.026 (OR E25.511)
8. SEE BSP P30.401 FOR COLOR CODE OF OLDER TYPE CORDS.
9. FOR CAPACITY FOR FUSETRONS OR FUSTATS REQUIRED, SEE BSP P31.152, FOR CAPACITY OF FUSES REQUIRED, SEE BSP P31.151. (FUSING IN (B) FOR 15 TTY; FUSING IN (A) TWICE VALUE OF FUSING IN (B).)
10. IF A 15B BASE IS USED THE (R4) RESISTANCE (8000 OHMS) MUST BE STRAPPED FOR 60 MIL OPERATION.
11. LINE RELAY MOUNTING UNIT IS NOT PROVIDED ON 15C BASES. WHEN IT IS NECESSARY TO USE A LINE RELAY INSTALL A NO. 91786M SET OF PARTS AND APPLY PLAN M2.16, BSP P30.412. ALSO THE (R4) RESISTANCE (8000 OHMS) MUST BE STRAPPED FOR 60 MIL OPERATION. 15D BASE IS EQUIPPED AT THE FACTORY WITH RELAY MOUNTING PARTS.
12. NO. 15M, N AND P PERF.-TRANS MAY ALSO BE USED, HOWEVER, THEY HAVE A SOMEWHAT DIFFERENT WIRING ARRANGEMENT, PRIMARILY IN THE CHARACTER COUNTER. SEE BSP P38.322.
13. (A) WHEN A 19ASR IS INVOLVED, A LINE RELAY SHALL ALWAYS BE USED. (B) WHEN A 15 TTY IS INVOLVED, A LINE RELAY IS NOT REQUIRED WHEN THE TTY IS USED ON A 60MIL NEUTRAL CIRCUIT EXCEPT TO MEET THE REQUIREMENTS OF BSP E 25.511 (OR AB 84.026). IN ALL OTHER METHODS OF CIRCUIT OPERATION, A LINE RELAY SHALL BE USED.
14. REFER TO BSP SECTION P30.019 FOR TYPE OF POWER CORD TO BE USED AND FOR INFORMATION AS TO WHEN PROTECTIVE GROUND IS REQUIRED
15. SEE BSP SECTION P31.163 FOR INFORMATION ON USE OF 1000 OHM SHUNT FOR HOLDING MAGNET TYPING UNITS. NOT REQUIRED WITH PULLING MAGNET TYPING UNITS.
16. WHEN LINE RELAY IS NOT EMPLOYED, OMIT RECTIFIER TOGETHER WITH THE FOLLOWING ITEMS:
 

FIGURE	OMIT
FIG. G	STRAPS TO TERMS 24 & 25
FIG. H	M2BM CORD
FIG. K	STRAPS TO TERMS 24 & 25
FIG. L	M2BM CORD
FIG. M	BOTH M2DG CONDS. & FITTINGS
17. PART OF 96892M MOTOR CONTROL PARTS. INSTALL AND ADJUST 96892M SET OF PARTS PER BSP P36.476 BUT WIRE AS SHOWN IN FIGS. 2 OR 3 AND C OR D.
18. PROVIDE 125 OR 200 MIL RECTIFIER ONLY WHEN LINE RELAY IS EMPLOYED IN A.C. OPERATION.
19. ON NO. 15 TELETYPEWRITERS, ADD FUSE IN TABLE PER BSP SECT. P36.476 OR P90.95B
20. WHEN 15 TTY IS USED WITH 15J TABLE & 15J COVER, LEAVE SWITCH (D1) DISABLED IN 15C & 15D BASES, AND DISABLE SAME IN 15A & 15B BASES.

**TELETYPEWRITER SYSTEMS**

REMOTE MOTOR CONTROL  
WITH 96892M SET OF PARTS  
19 TTY SET ON 19A TABLE AND 15 TTY  
ON 15A, C, D, J, N OR P TABLE  
A.C. OR D.C. 115 VOLT  
POWER SUPPLY  
SINGLE OPERATION