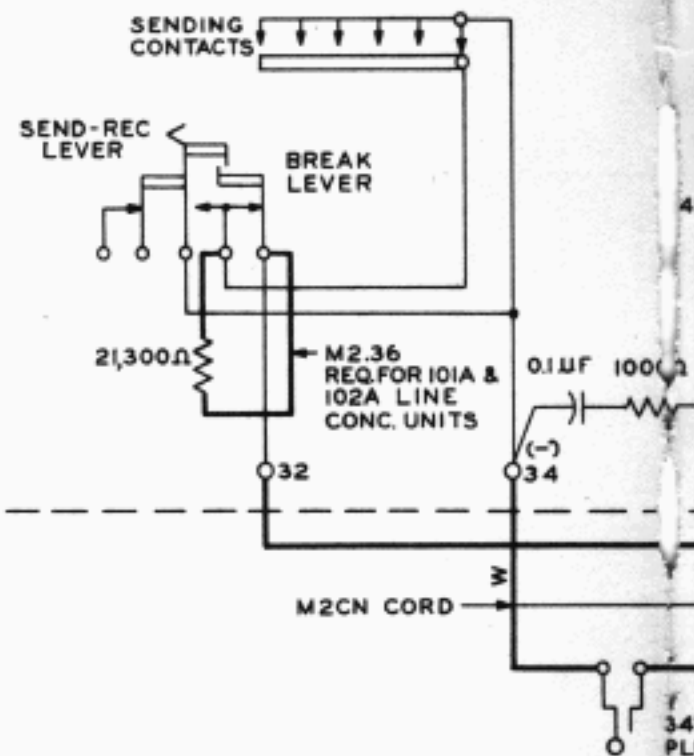
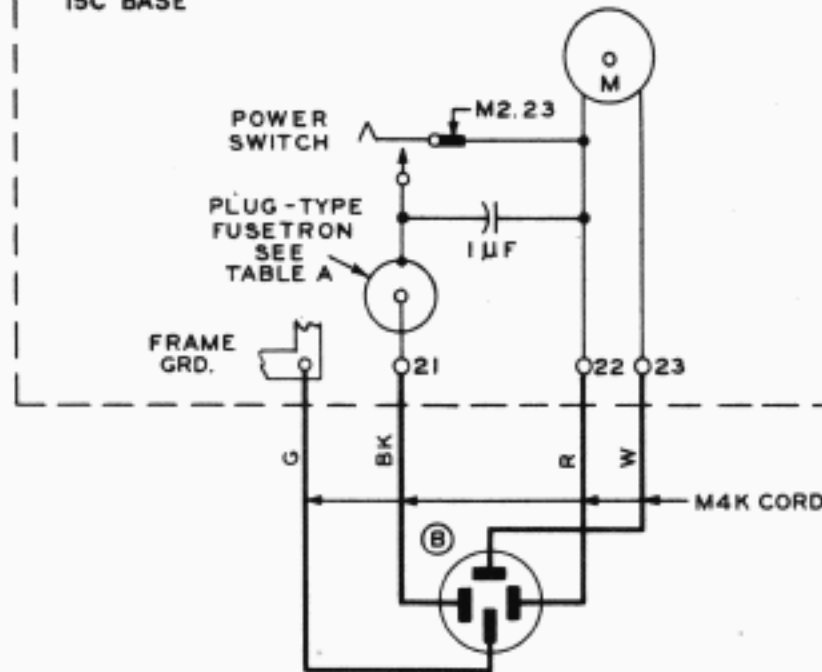


15 TTY CONSISTING OF
 15Y OR 15AA TYPING UNIT
 15D, 15J, 15K, 15L OR 15M MOTOR UNIT
 15E KEYBOARD
 15C BASE

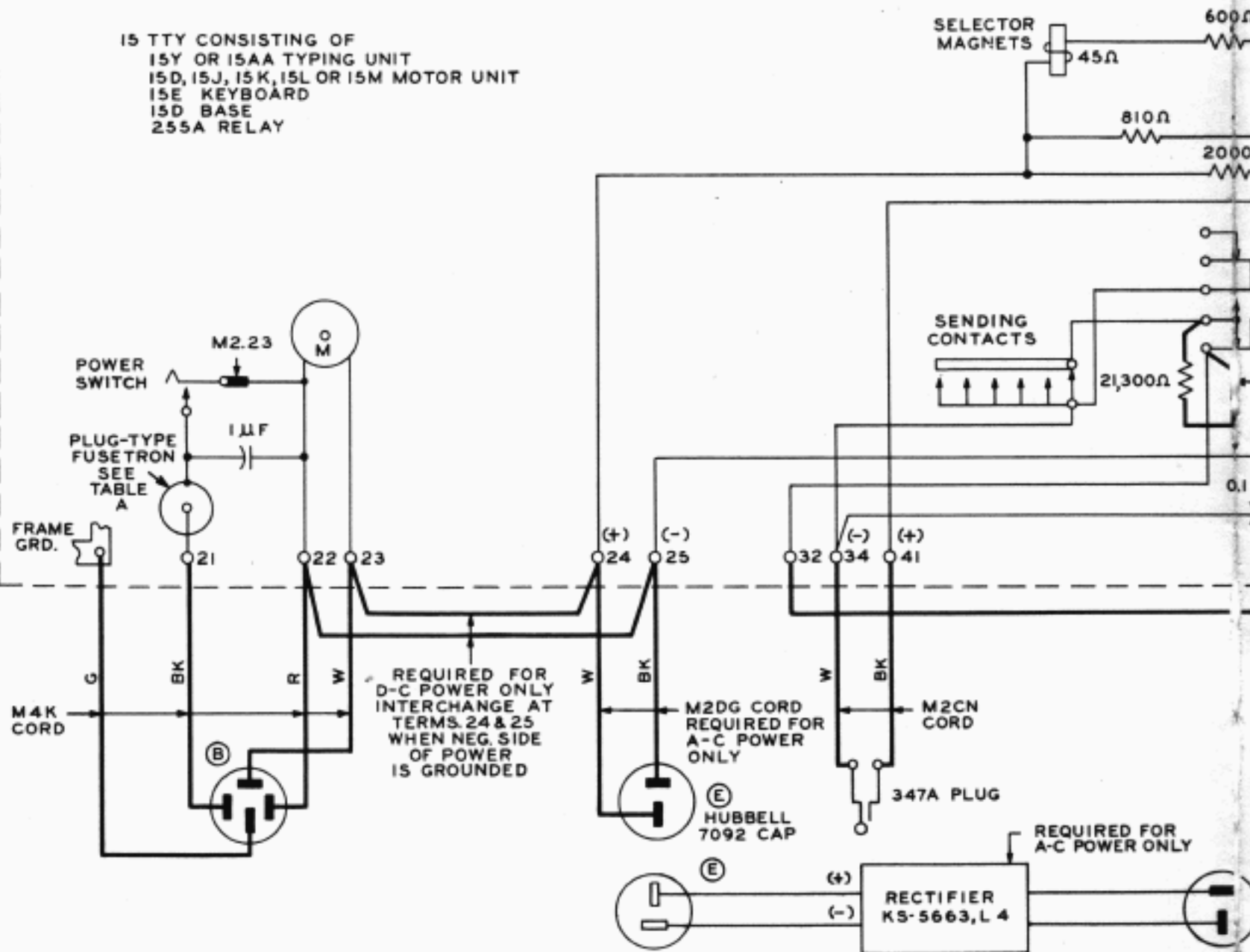


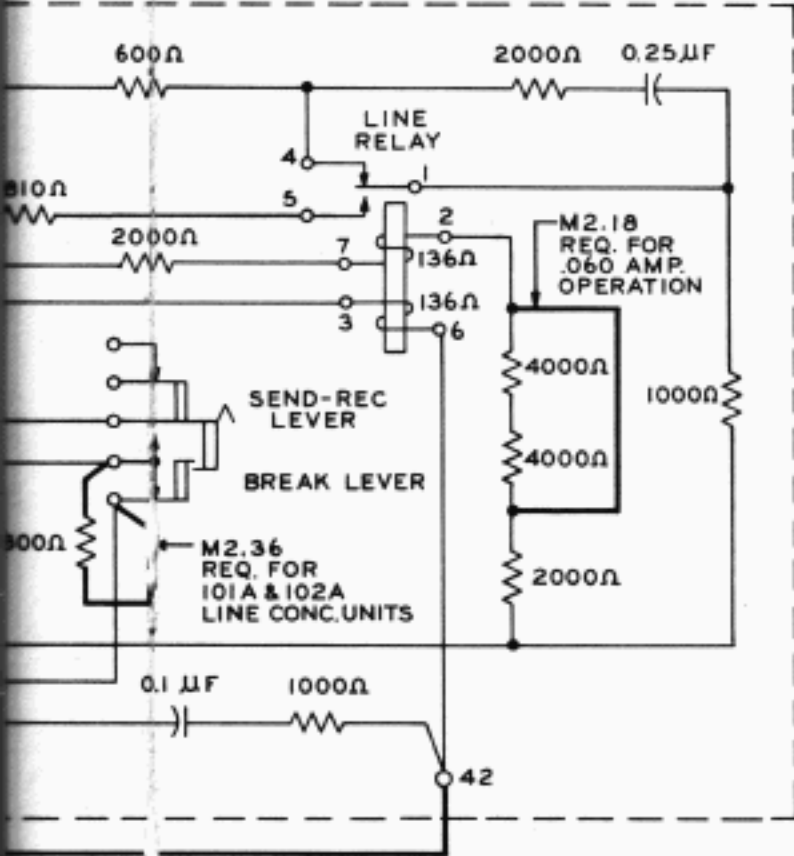
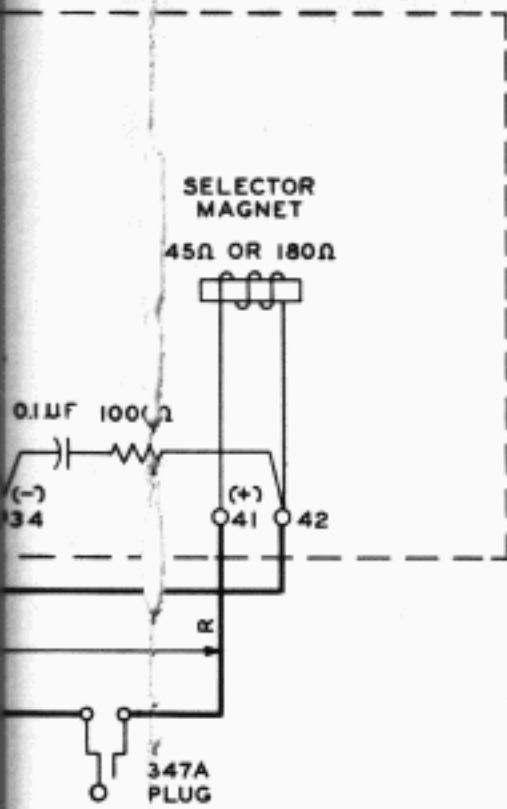
15 TTY WITHOUT LINE RELAY -
 120V. A-C OR D-C POWER SUPPLY

FIG. 1

STATION IDENTIFICATION

15 TTY CONSISTING OF
 15Y OR 15AA TYPING UNIT
 15D, 15J, 15K, 15L OR 15M MOTOR UNIT
 15E KEYBOARD
 15D BASE
 255A RELAY





15 TTY WITH LINE RELAY-
120 V. A-C OR D-C
POWER SUPPLY
FIG. 2

FOR ONLY

(A)

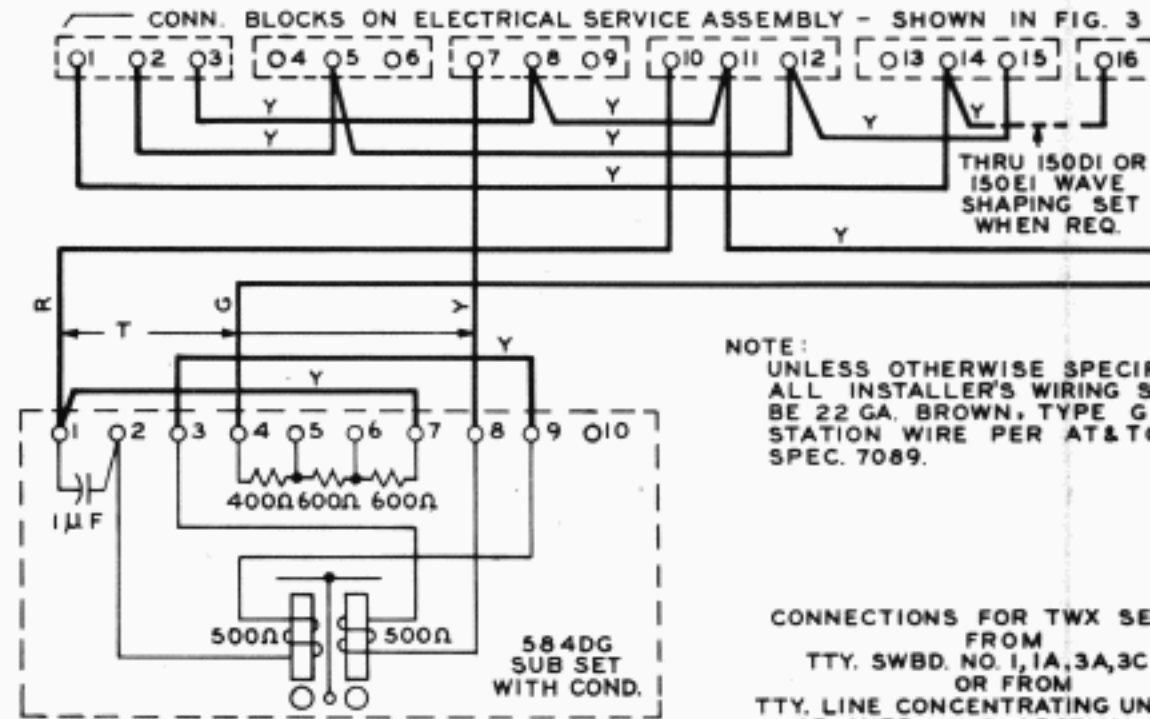
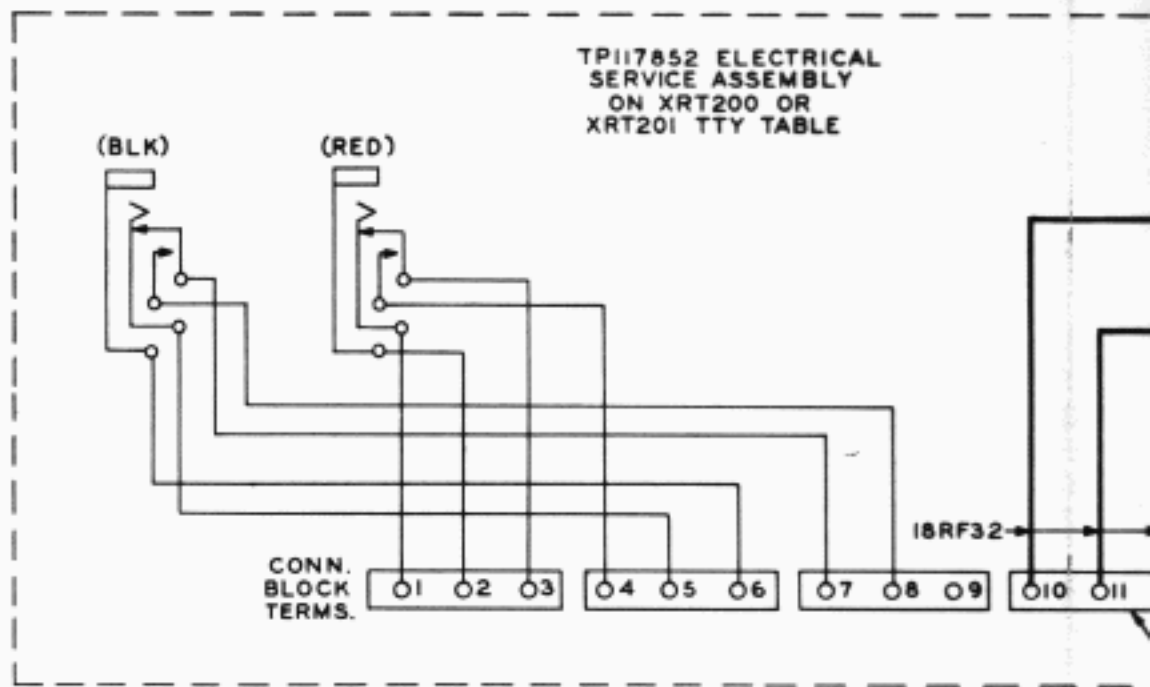


FIG. 4

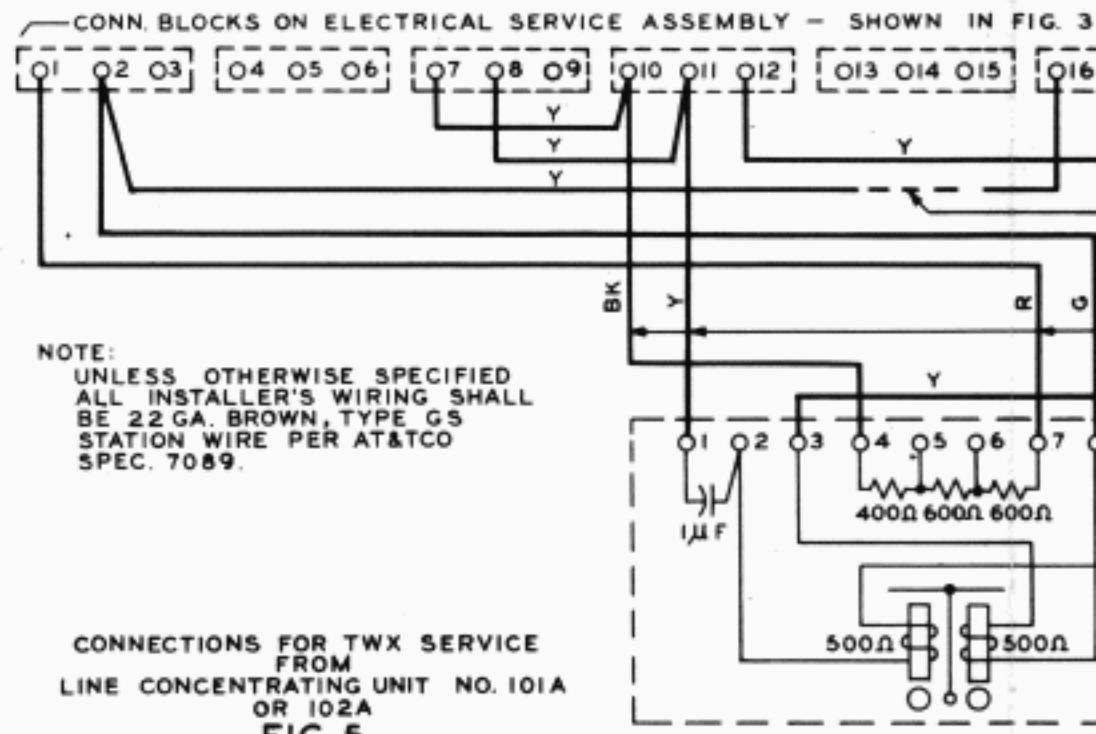


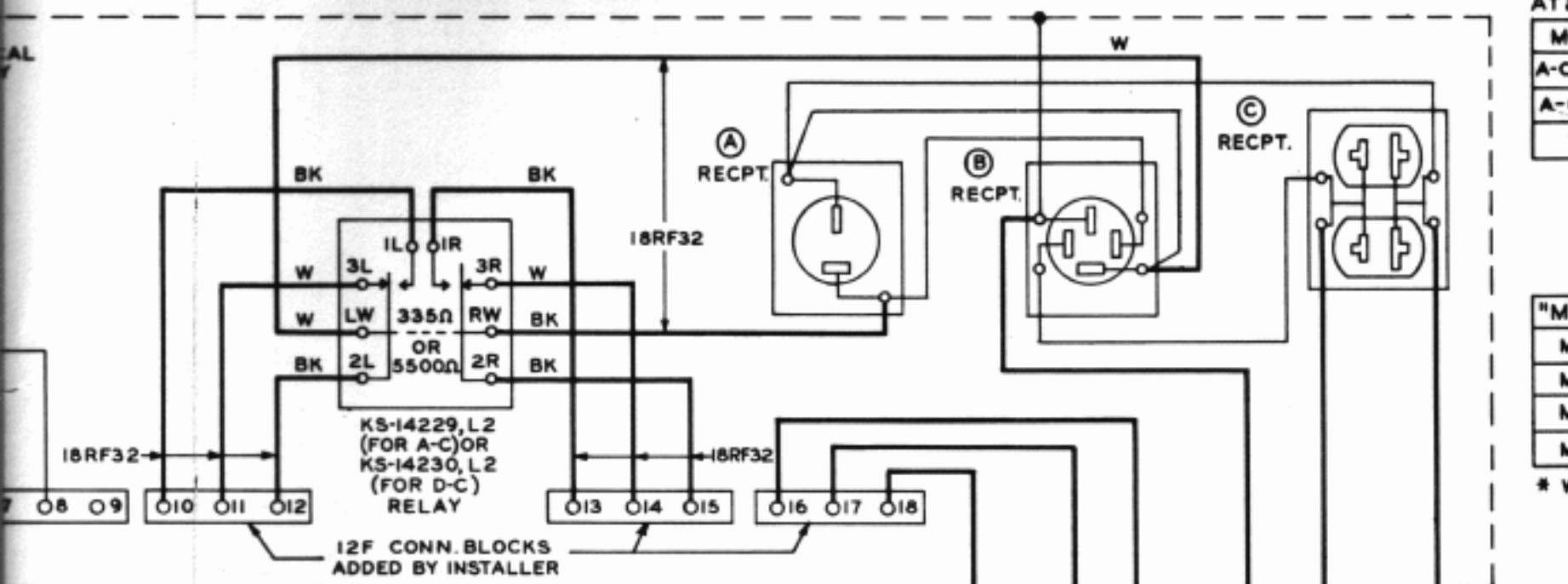
FIG. 5

MOTOR	FUSETRON
A-C SYNCH	T3.2
A-C SER.	T1.6
D-C	T1

TABLE A

"M" PLANS USED	
M2.23	
M2.18*	
M2.36*	
M2.27*	

* WHEN REQUIRED



WIRING IN ELECTRICAL SERVICE ASSEMBLY
FIG. 3

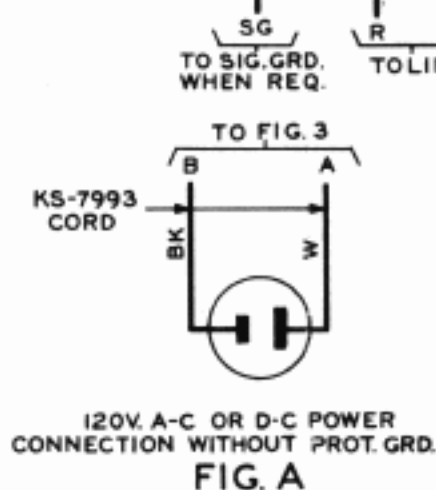
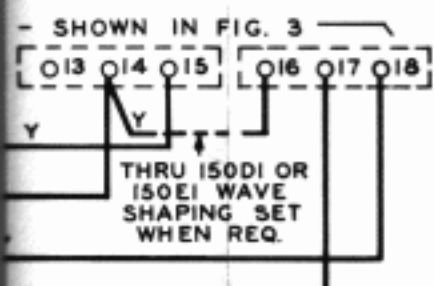


FIG. A

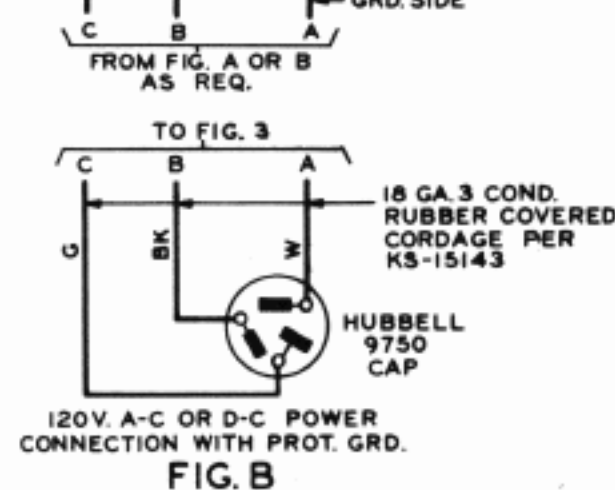
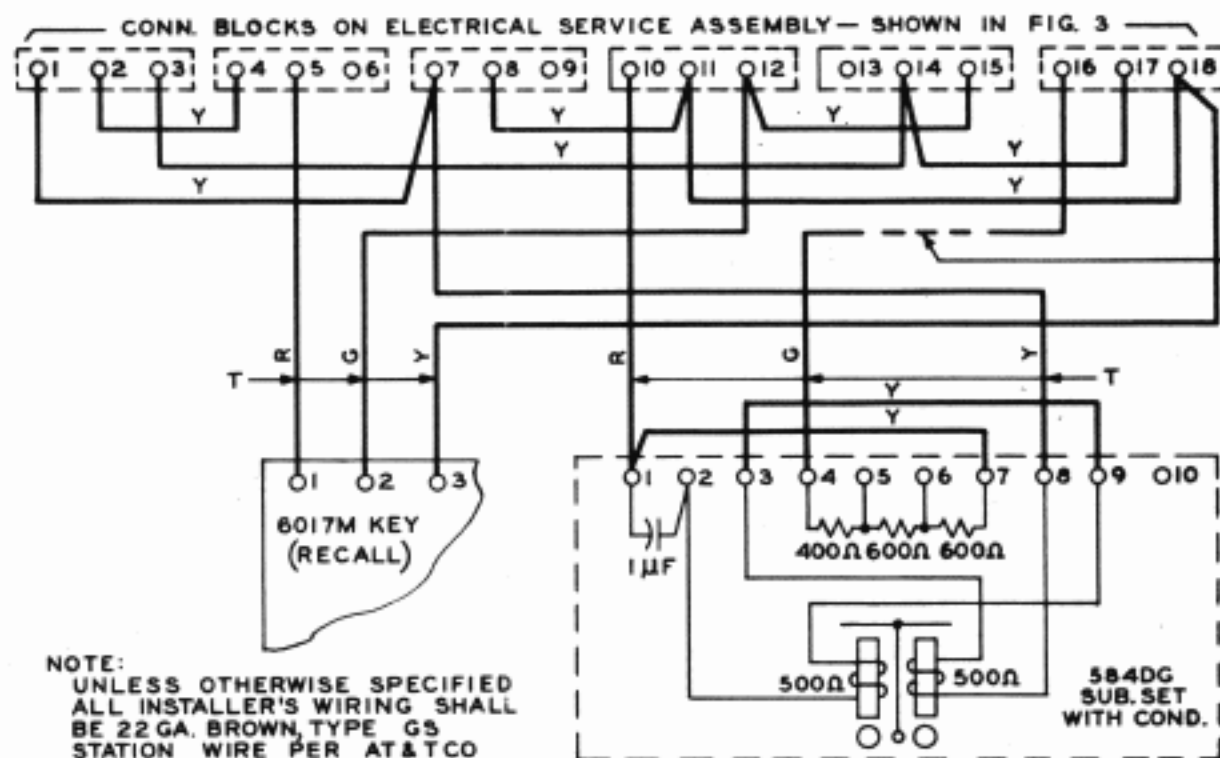
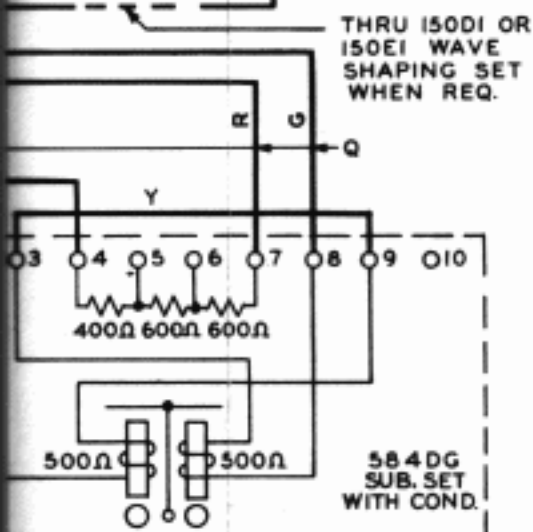
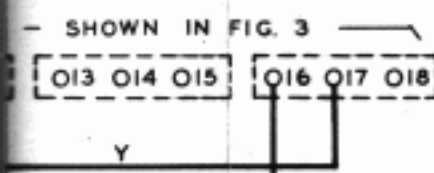


FIG. B

UNLESS OTHERWISE SPECIFIED
INSTALLER'S WIRING SHALL
BE 22 GA. BROWN, TYPE GS
STATION WIRE PER AT&TCO
SPEC. 7089.

INSTRUCTIONS FOR TWX SERVICE
FROM
TTY SWBD. NO. 1, 1A, 3A, 3C OR 5
OR FROM
LINE CONCENTRATING UNIT NO. 101B
OVER MULTI-SECTION LINE
TERMINATING IN A LOOP

FIG. 4



CONNECTIONS FOR TWX SERVICE
FROM OPEN LINE TLT. BD.
FIG. 6

NOTE:
UNLESS OTHERWISE SPECIFIED
ALL INSTALLER'S WIRING SHALL
BE 22 GA. BROWN, TYPE GS
STATION WIRE PER AT&TCO
SPEC. 7089

ATTENDED TWX SERVICE
OVER A LOCAL LINE TO TTY SWBDS, NO. 1, 1A, 3A,
3C, 5 OR OPEN LINE TLT. BD. OR TO TTY LINE
CONC. UNITS NO. 101A, 101B OR 102A OR OVER
MULTI-SECTION LINE TERMINATING IN A LOOP
15 TTY ON XRT200 OR XRT201 TTY TABLE
120V. A-C OR D-C