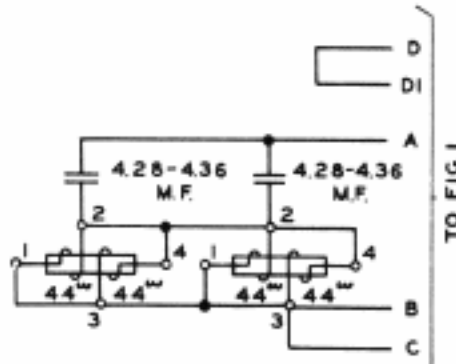
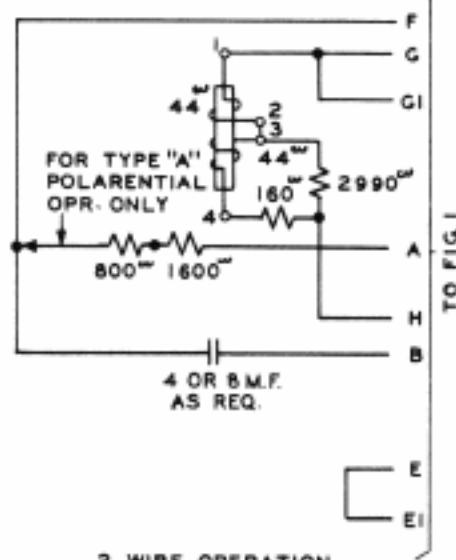


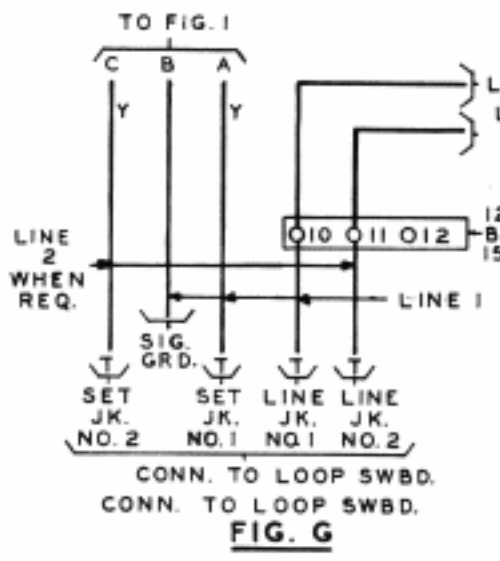
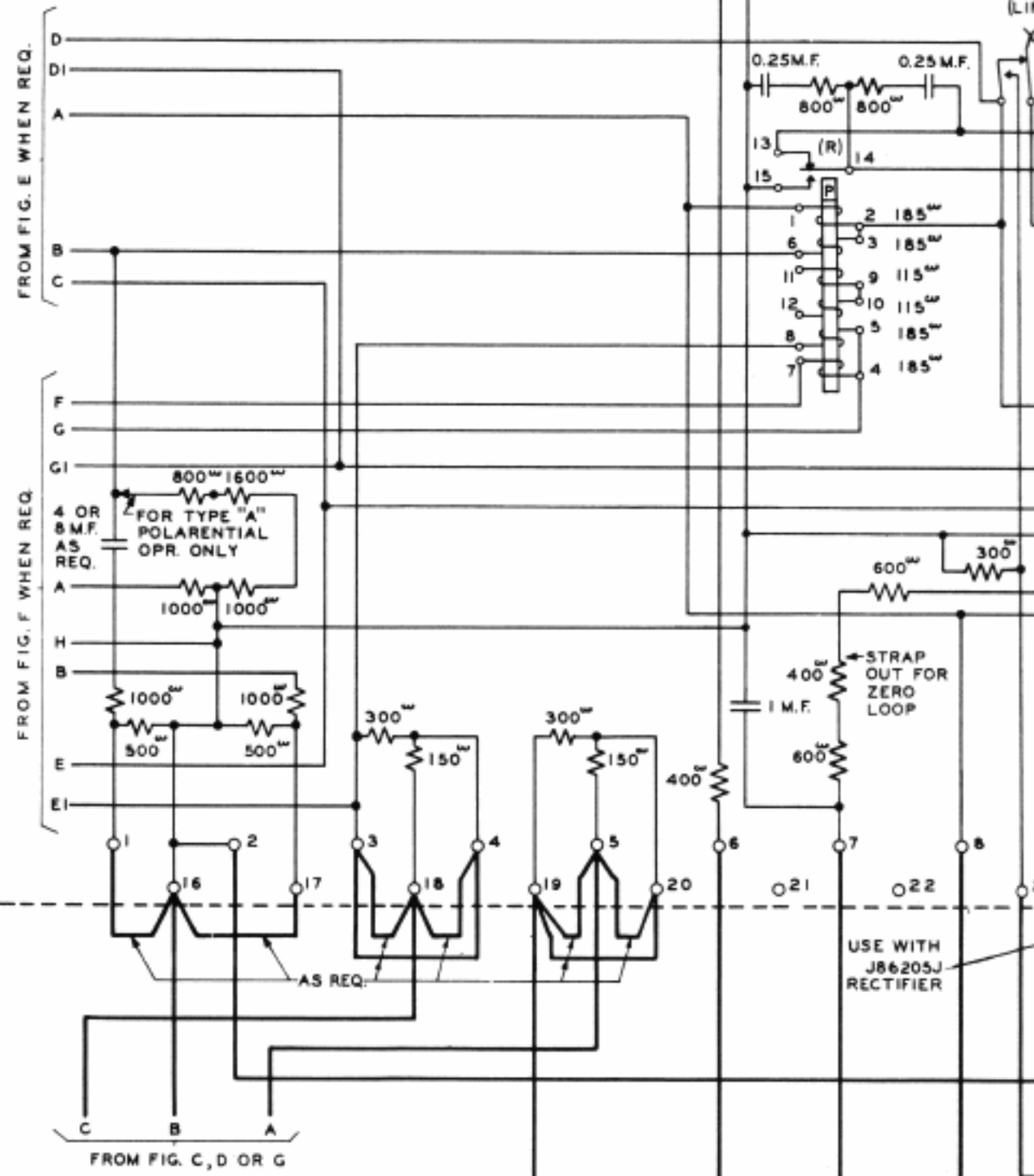
128B2 SUB SET



60~ INDUCTION SUPPRESSION
FIG. E



2 WIRE OPERATION
FIG. F



CONN. TO LOOP SWBD.
CONN. TO LOOP SWBD.
FIG. G

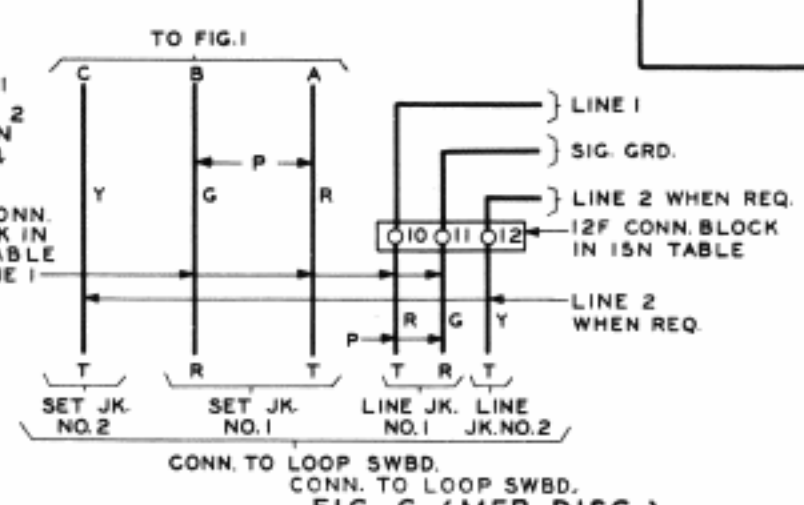
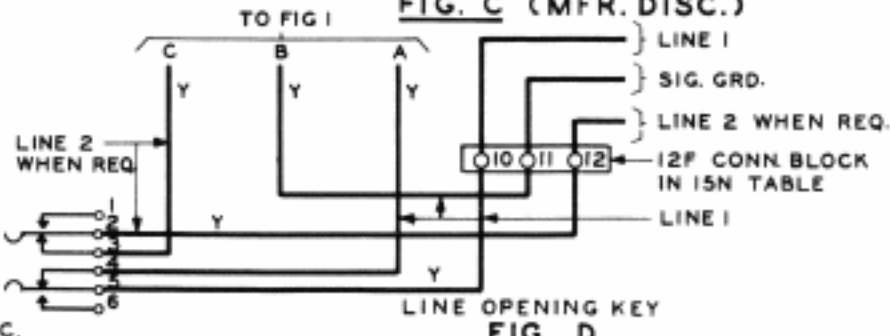
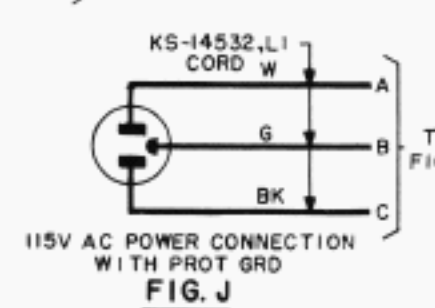
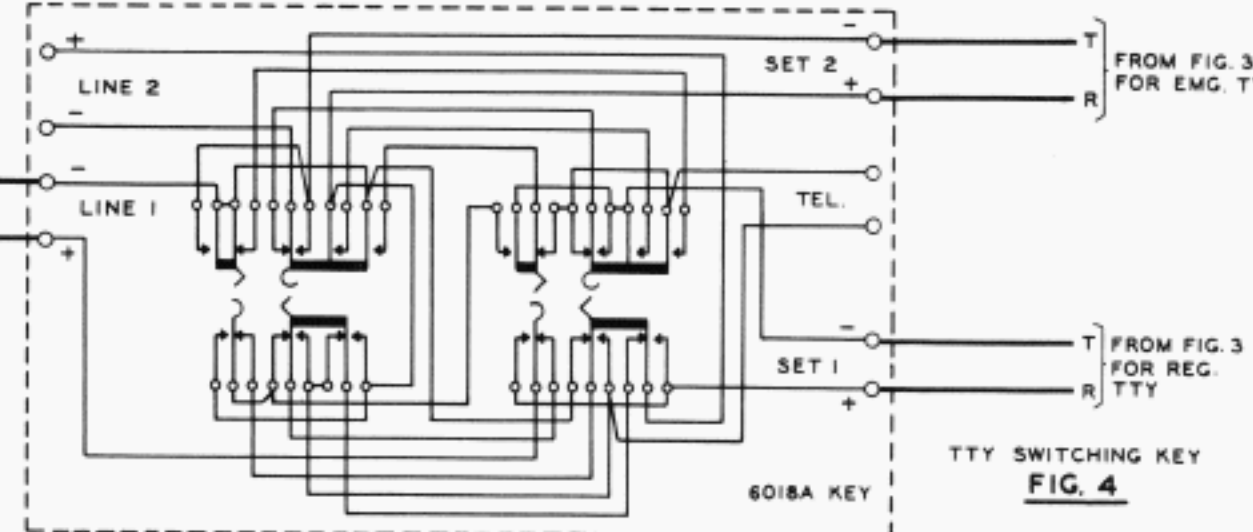
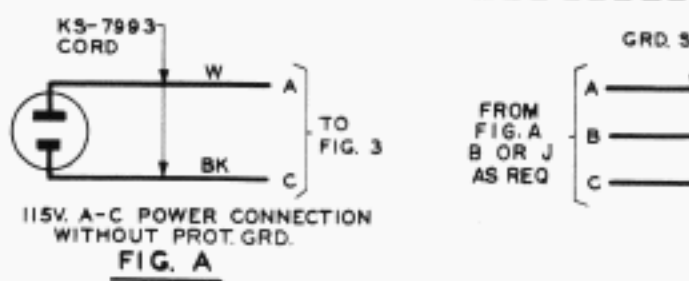
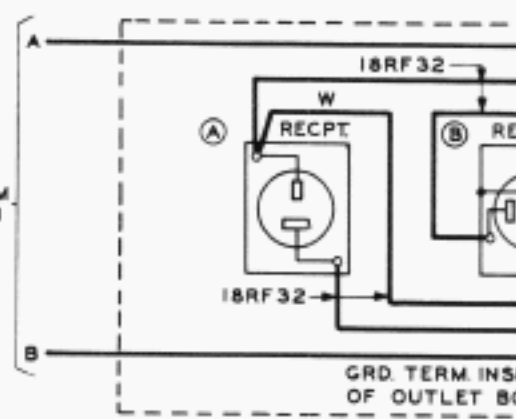
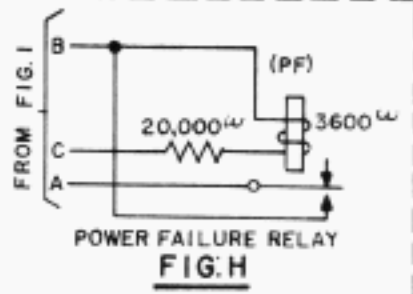
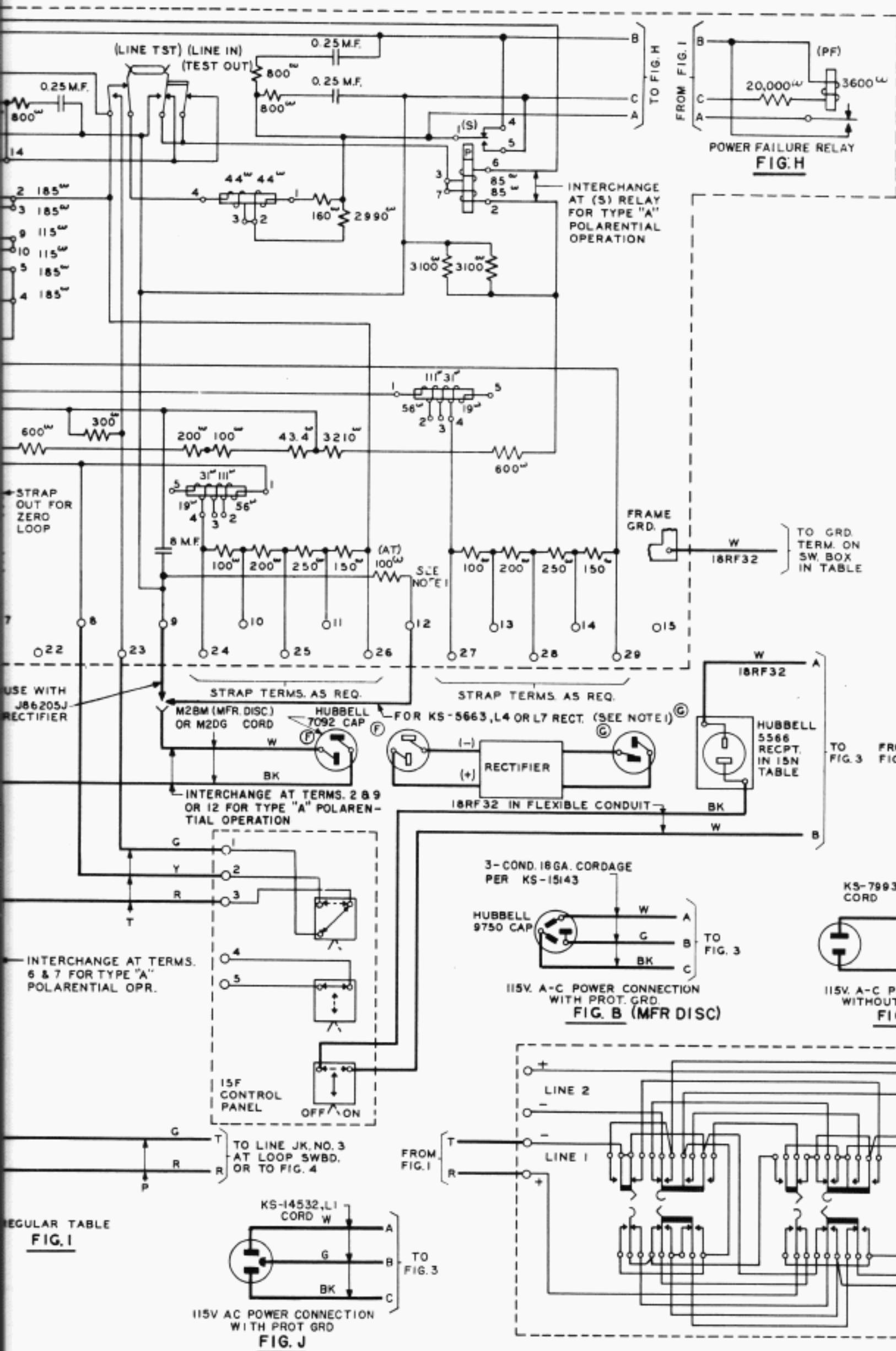


FIG. C (MFR. DISC.)

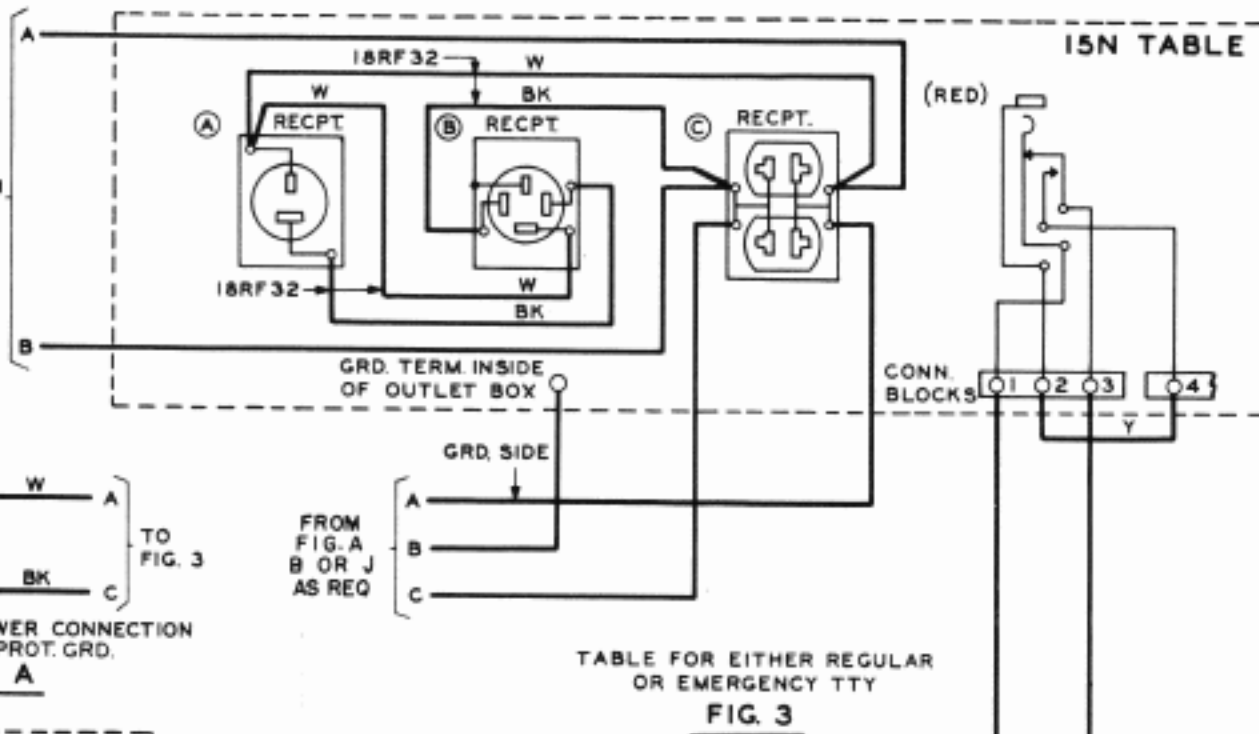
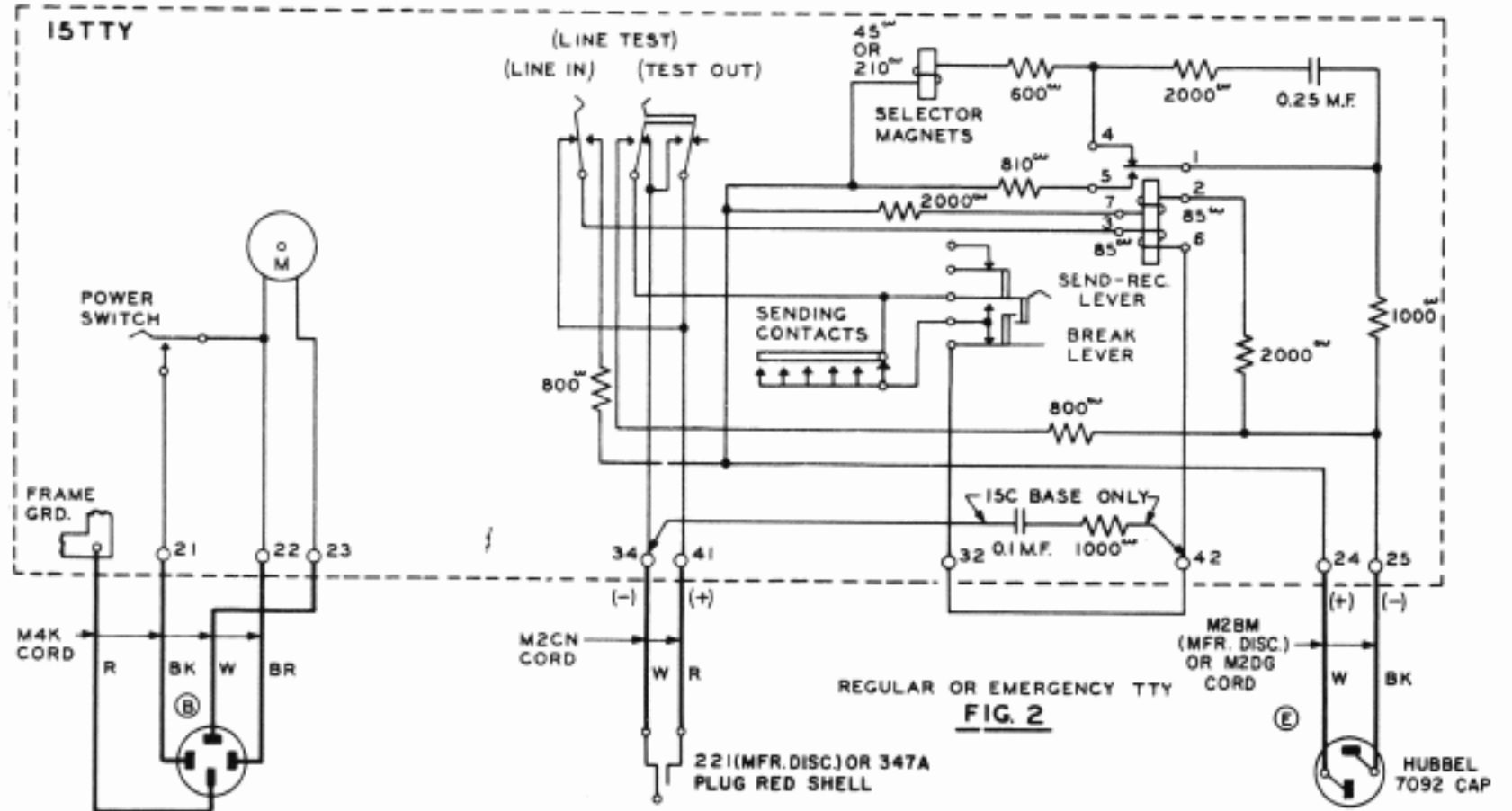


LINE OPENING KEY
FIG. D

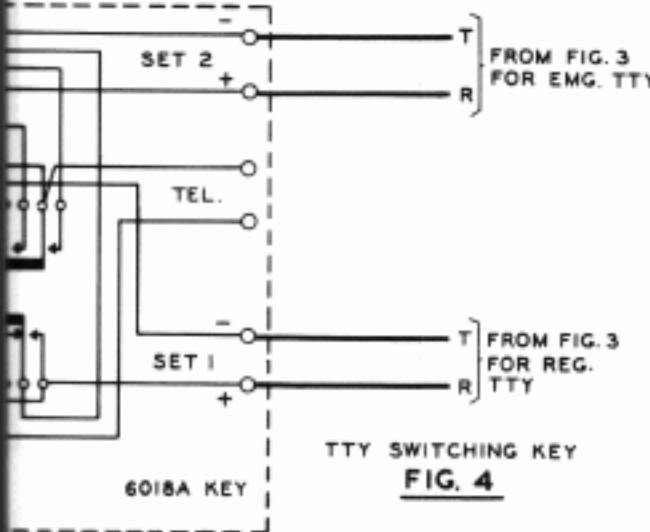
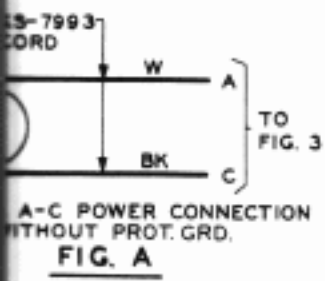
REGULAR TABLE
FIG. I



PLANS USED	



NOTE:
1. SOME 128B2 SUBSCRIBER SETS DO NOT INCLUDE THE (AT) RESISTANCE, AND WHEN THE KS-5663, L4 OR L7 RECT. IS USED A CHECK SHOULD BE MADE TO INSURE THAT THE (AT) RESISTANCE IS PRESENT.



STATION IDENTIFICATION

15 TTY — 15N TABLE
TWP SERVICE — 128B2 TTY SUB SET
SINGLE LOOP OPERATION
WITH EMERGENCY TTY