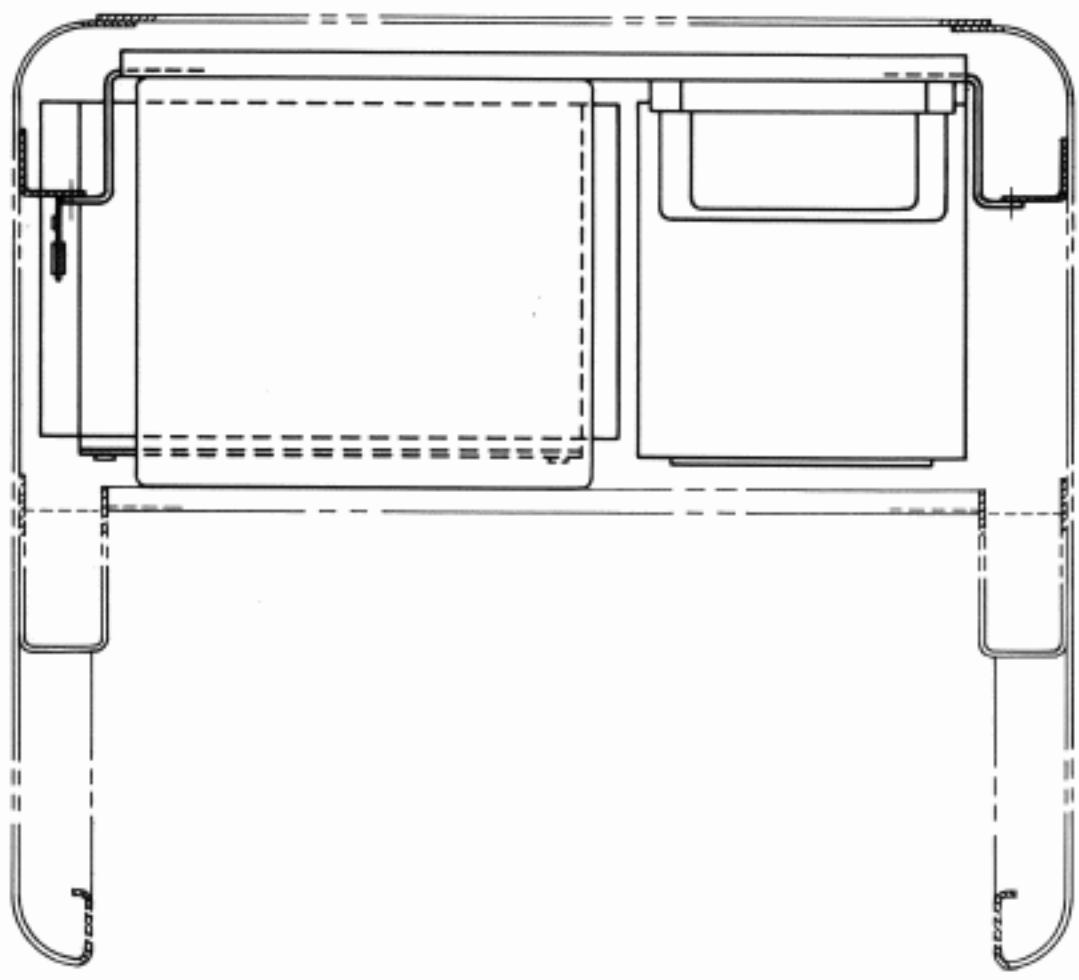


ASSEMBLY FOR ATTENDED TLX SERVICE
 WITH TTY SUB SET IN METAL CABINET
FIG. 1



SECT. A-A

P-30B514 MTG PLT ASSEM
FURNISHED WITH ED-71172-01
GROUP 3

P-41D318 RETAINING CLIP
FURNISHED WITH ED-71172-01
GROUP 3

TOP OF 128C2 OR 128C3
TTY SUB SET

TOP OF 130BI TTY SUB SET

128C2, 128C3 OR 130BI
TTY SUB SET WITHOUT
METAL CABINET.

P-255706 RETAINING CLIP
FURNISHED WITH ED-71172-01,
GROUPS 1 OR 2

BOTTOM MTG PLT DRILLING

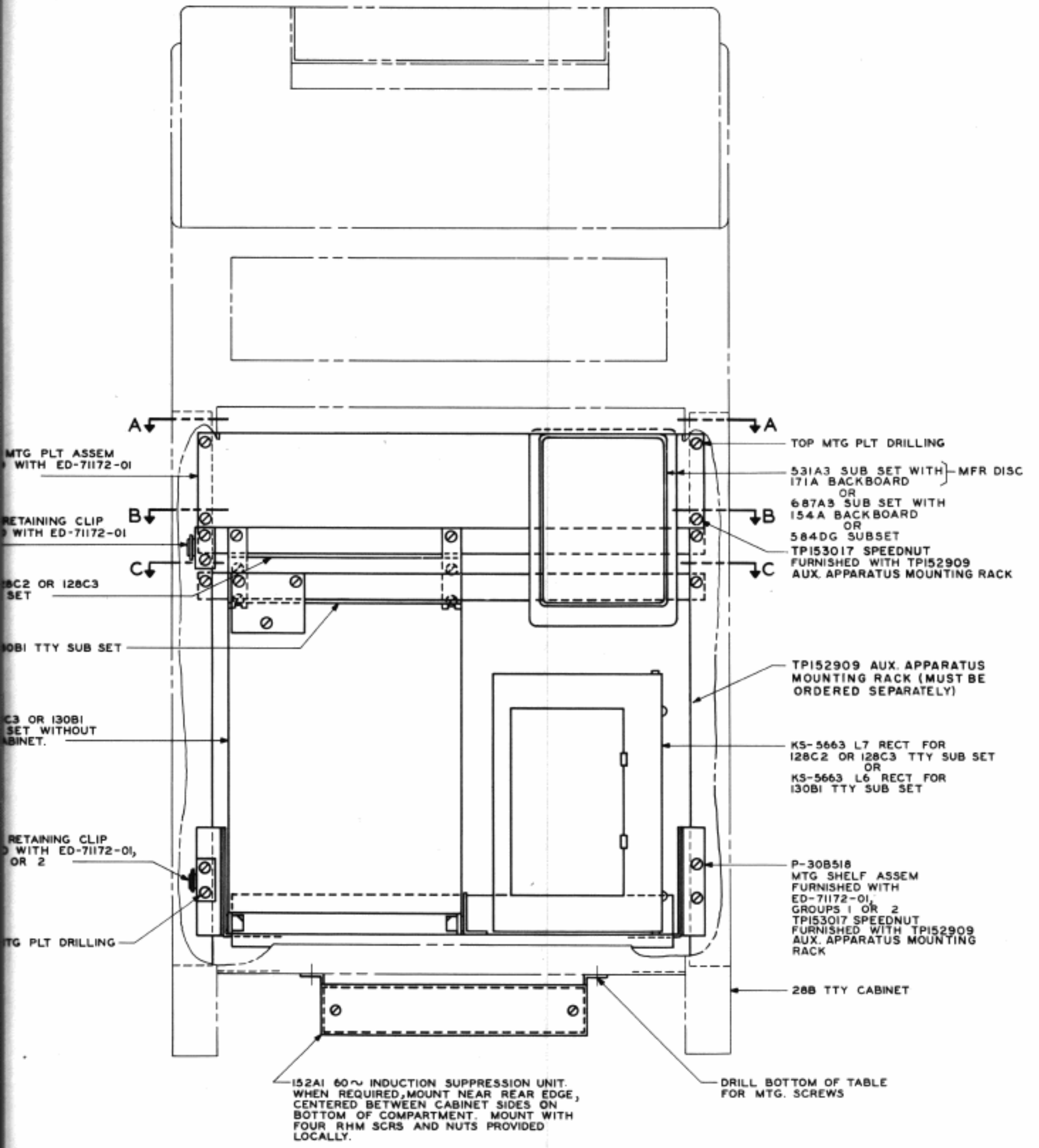
FR DISC

99 AUX.
JACK
INEL
BOARD

US
BE

128C2

SERVICE
CABINET



MTG PLT ASSEM WITH ED-71172-01

RETAINING CLIP WITH ED-71172-01

128C2 OR 128C3 SET

130BI TTY SUB SET

130C3 OR 130BI SET WITHOUT CABINET.

RETAINING CLIP WITH ED-71172-01, OR 2

MTG PLT DRILLING

TOP MTG PLT DRILLING

531A3 SUB SET WITH 171A BACKBOARD OR 687A3 SUB SET WITH 154A BACKBOARD OR 584DG SUBSET

TP153017 SPEEDNUT FURNISHED WITH TP152909 AUX. APPARATUS MOUNTING RACK

TP152909 AUX. APPARATUS MOUNTING RACK (MUST BE ORDERED SEPARATELY)

K5-5663 L7 RECT FOR 128C2 OR 128C3 TTY SUB SET OR K5-5663 L6 RECT FOR 130BI TTY SUB SET

P-30B518 MTG SHELF ASSEM FURNISHED WITH ED-71172-01, GROUPS 1 OR 2 TP153017 SPEEDNUT FURNISHED WITH TP152909 AUX. APPARATUS MOUNTING RACK

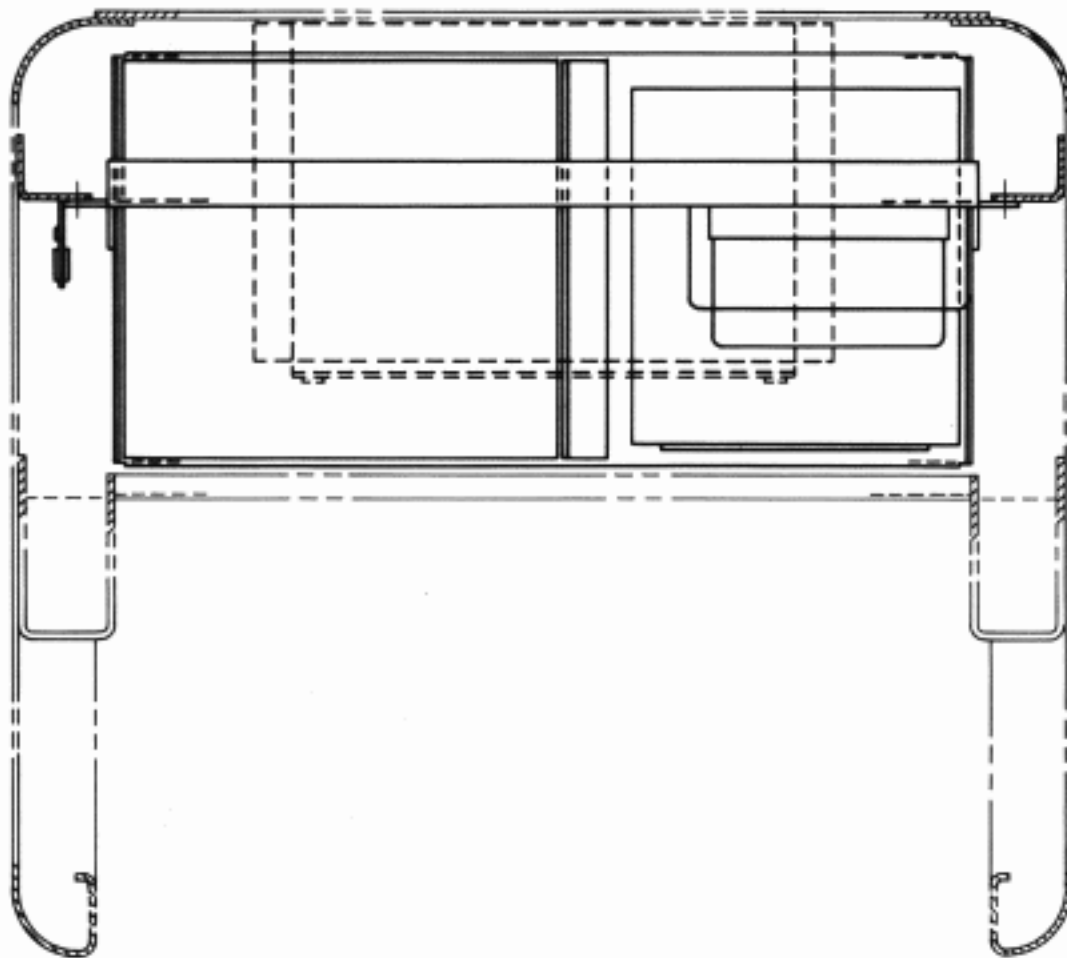
28B TTY CABINET

152A1 60~ INDUCTION SUPPRESSION UNIT. WHEN REQUIRED, MOUNT NEAR REAR EDGE, CENTERED BETWEEN CABINET SIDES ON BOTTOM OF COMPARTMENT. MOUNT WITH FOUR RHM SCRS AND NUTS PROVIDED LOCALLY.

DRILL BOTTOM OF TABLE FOR MTG. SCREWS

ASSEMBLY FOR ATTENDED TLX SERVICE TTY SUB SET WITHOUT METAL CABINET

FIG. 2



SECT. A-A

P MTG PLT DRILLING
1A3 SUB SET WITH MFR DISC
A BACKBOARD
OR
17A3 SUB SET WITH
4A BACKBOARD
OR
4DG SUBSET
153017 SPEEDNUT
FINISHED WITH TPI52909
AUX. APPARATUS MOUNTING RACK

152909 AUX. APPARATUS
MOUNTING RACK (MUST BE
ORDERED SEPARATELY)

-5663 L7 RECT FOR
128C2 OR 128C3 TTY SUB SET
OR
-5663 L6 RECT FOR
130BI TTY SUB SET

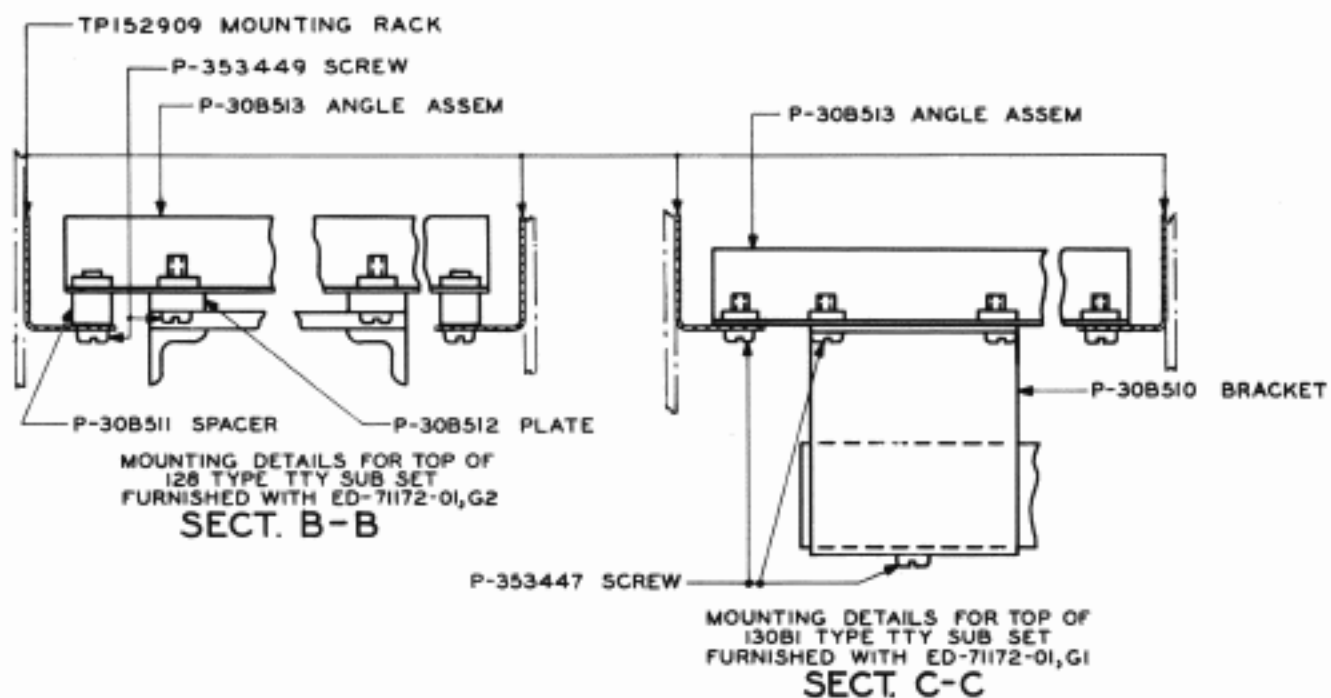
P-30B518
MOUNTING SHELF ASSEM
FINISHED WITH
ED-71172-01,
G1 OR 2
153017 SPEEDNUT
FINISHED WITH TPI52909
AUX. APPARATUS MOUNTING
RACK

28B TTY CABINET

FRONT OF TABLE
SHELVES

ASSEMBLY FOR ATTENDED TLX SERVICE
TTY SUB SET WITHOUT METAL CABINET

FIG. 2



MOUNTING DETAILS FOR TOP OF
128 TYPE TTY SUB SET
FURNISHED WITH ED-71172-01,G2
SECT. B-B

MOUNTING DETAILS FOR TOP OF
130BI TYPE TTY SUB SET
FURNISHED WITH ED-71172-01,G1
SECT. C-C

TTY STATION ASSEMBLY
28B TTY CABINET
ATTENDED TLX STATIONS
128C2, 128C3, OR 130BI TTY SUB SET
WITH OR WITHOUT METAL CABINET