

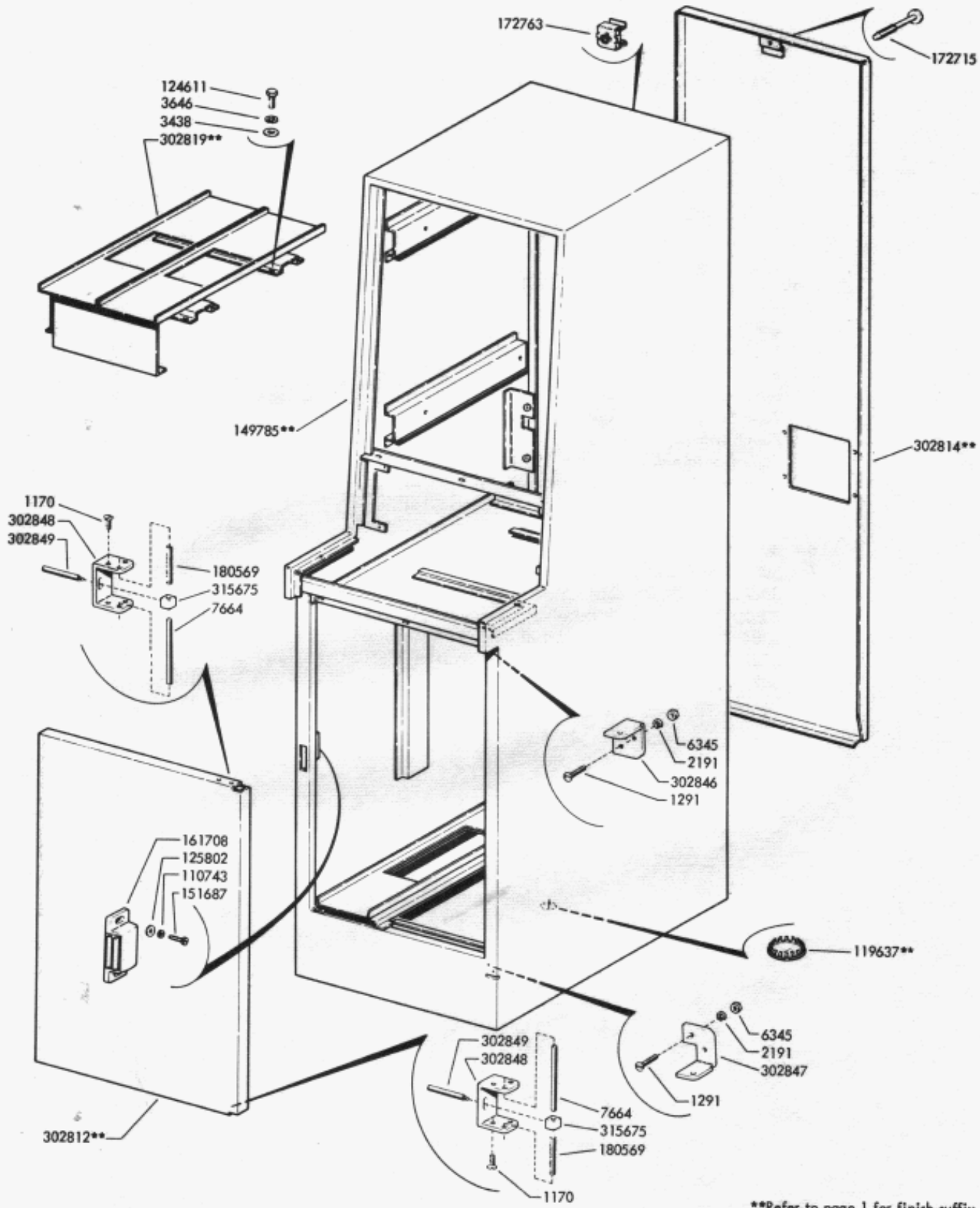
"TELESPEED" \* TAPE RECEIVER CABINET (AC) AND MODULES  
TYPE 4  
PARTS

FIGURE	CONTENTS	PAGE
1	Cabinet	2
2	Cabinet (Continued)	3
3	Front Panel	4
4	Inner Frame and Channels	5
5	Tape Back-Up and Tape Winder Motors	6
6	Punch Mounting Parts	7
7	Tape Container	8
8	Chad and Tape Puller Mechanism	9
9	Chad and Tape Puller Mechanism (Continued)	10
10	Fan	11
11	302748 Wiring Field Assembly	12
12	308463 Station Control Assembly	13
13	302762 Receiver Control Module (HSEDC)	14
14	308502** High Speed Receiver Distributor and Punch Driver Module	15
15	308480** Power Supply (Part of 308502** Module)	16
16	302720 Multi-Voltage Power Supply (Part of 308502** Module)	17
17	302762 and 308502** Positioning Reference Charts	18
	Numerical Index	19

<u>Multi- Color Code</u>	<u>Color (Smooth)</u>	<u>Suffix</u>
MA	Light Beige	HC
	Fawn	HG
MB	Light Gray	HB
	Beige	HE
MC	Light Gray	HB
	Moss Green	HD

The double asterisk (\*\*) denotes a painted part. Suffix to be applied following the part number.

\*Trademark of Teletype Corporation.



\*\*Refer to page 1 for finish suffix

FIGURE 1. CABINET

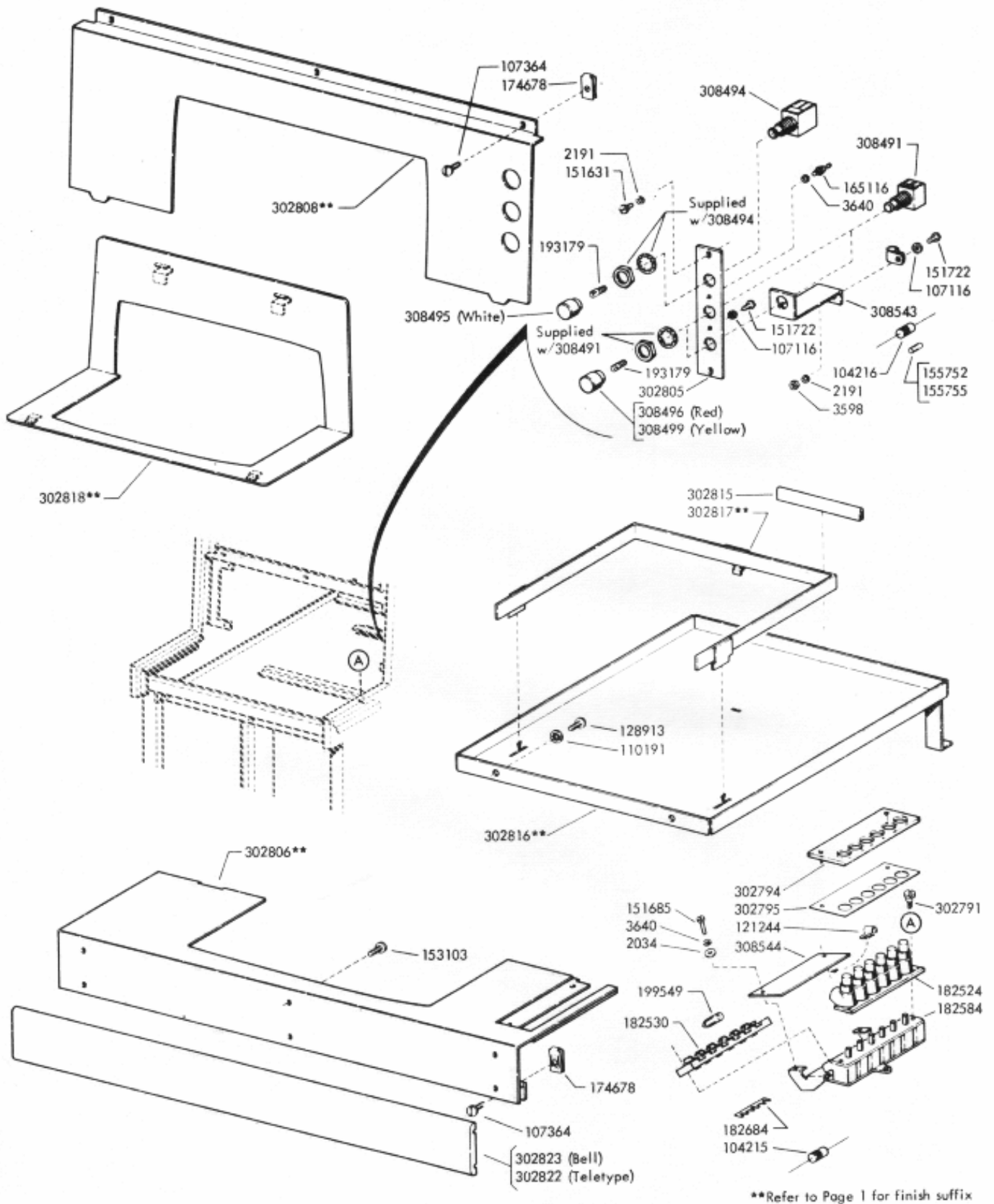
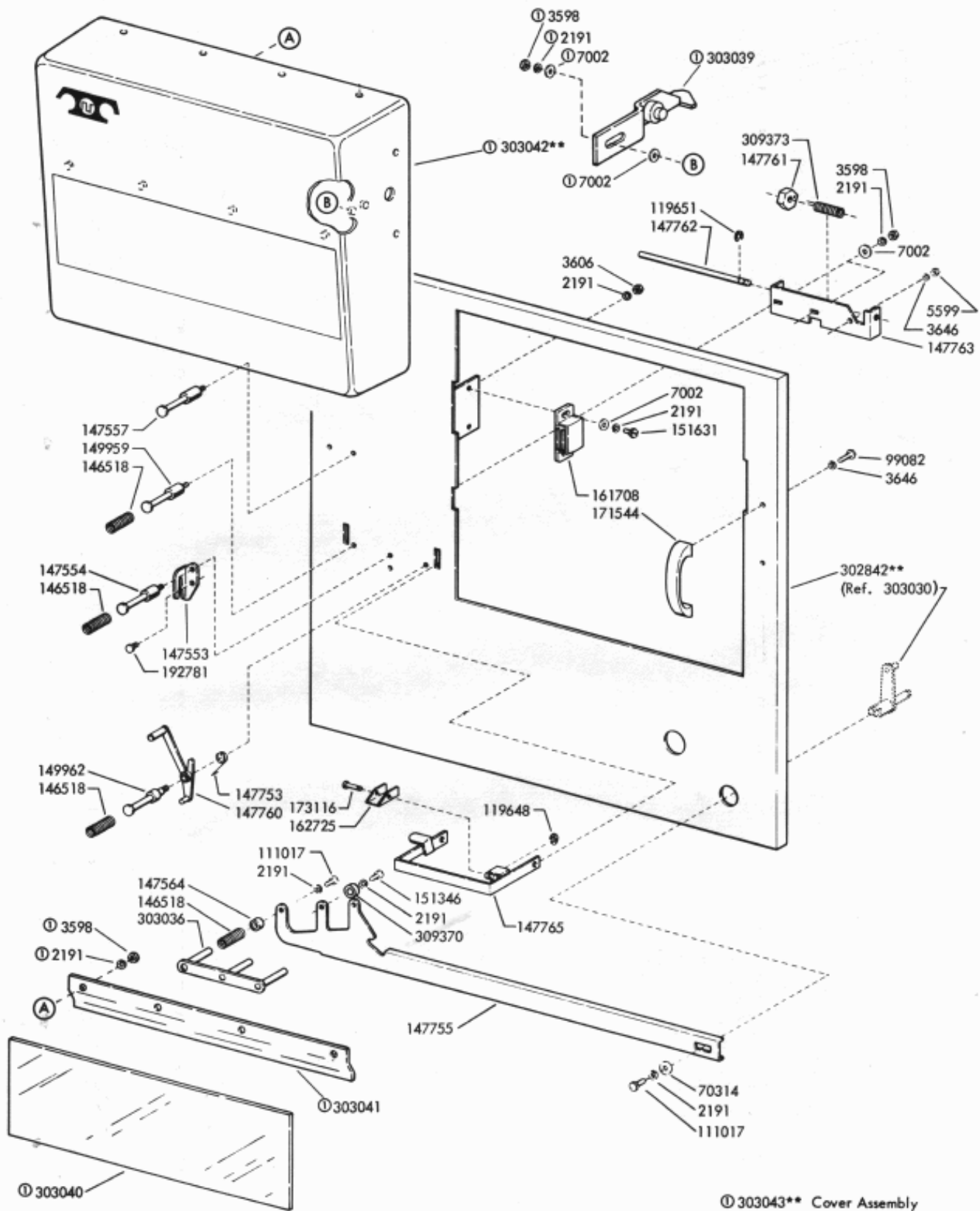


FIGURE 2. CABINET (Continued)



ⓐ 303043\*\* Cover Assembly

\*\*Refer to Page 1 for Finish Suffix

FIGURE 3. FRONT PANEL

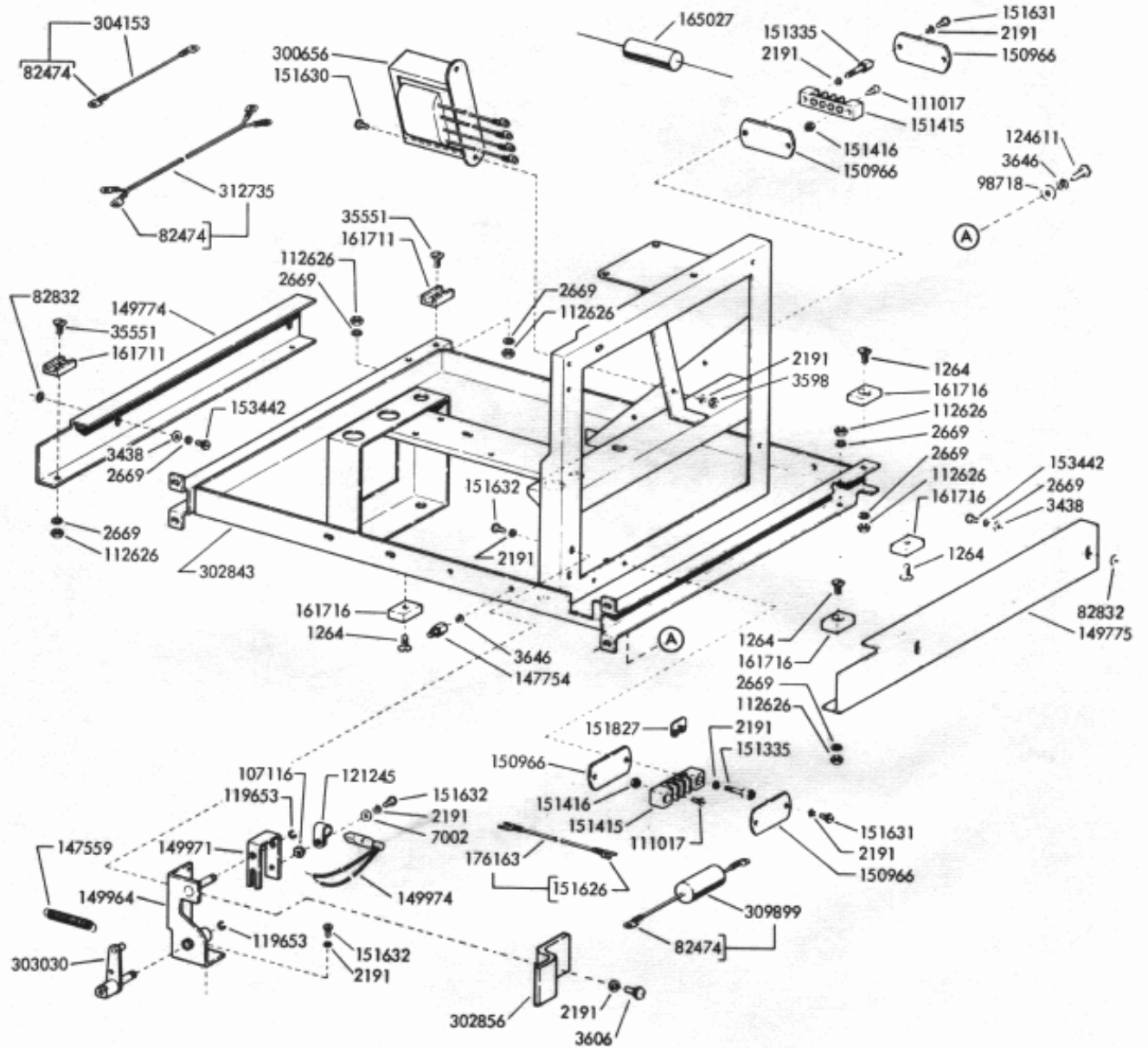


FIGURE 4. INNER FRAME AND CHANNELS

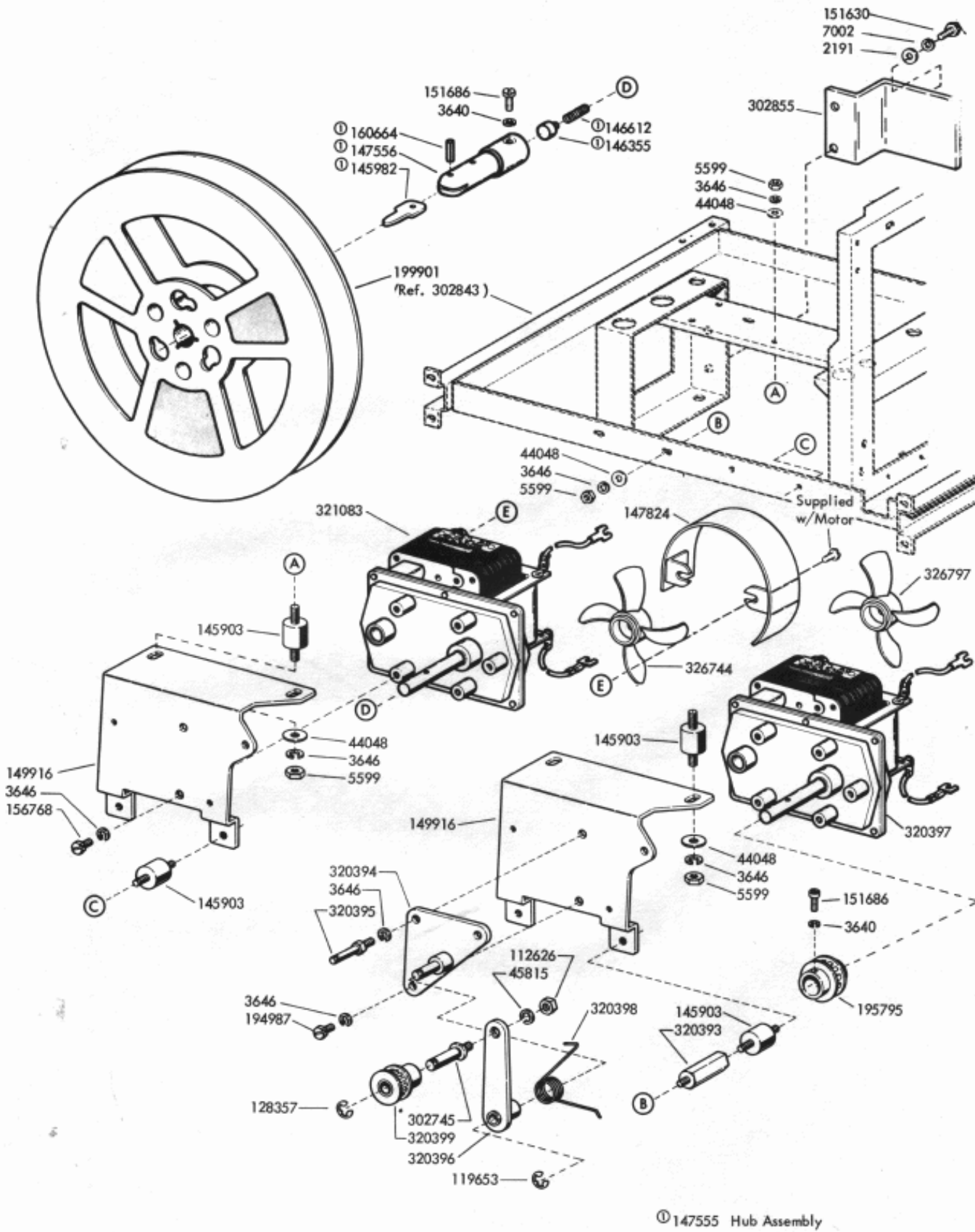


FIGURE 5. TAPE BACK-UP AND TAPE WINDER MOTORS

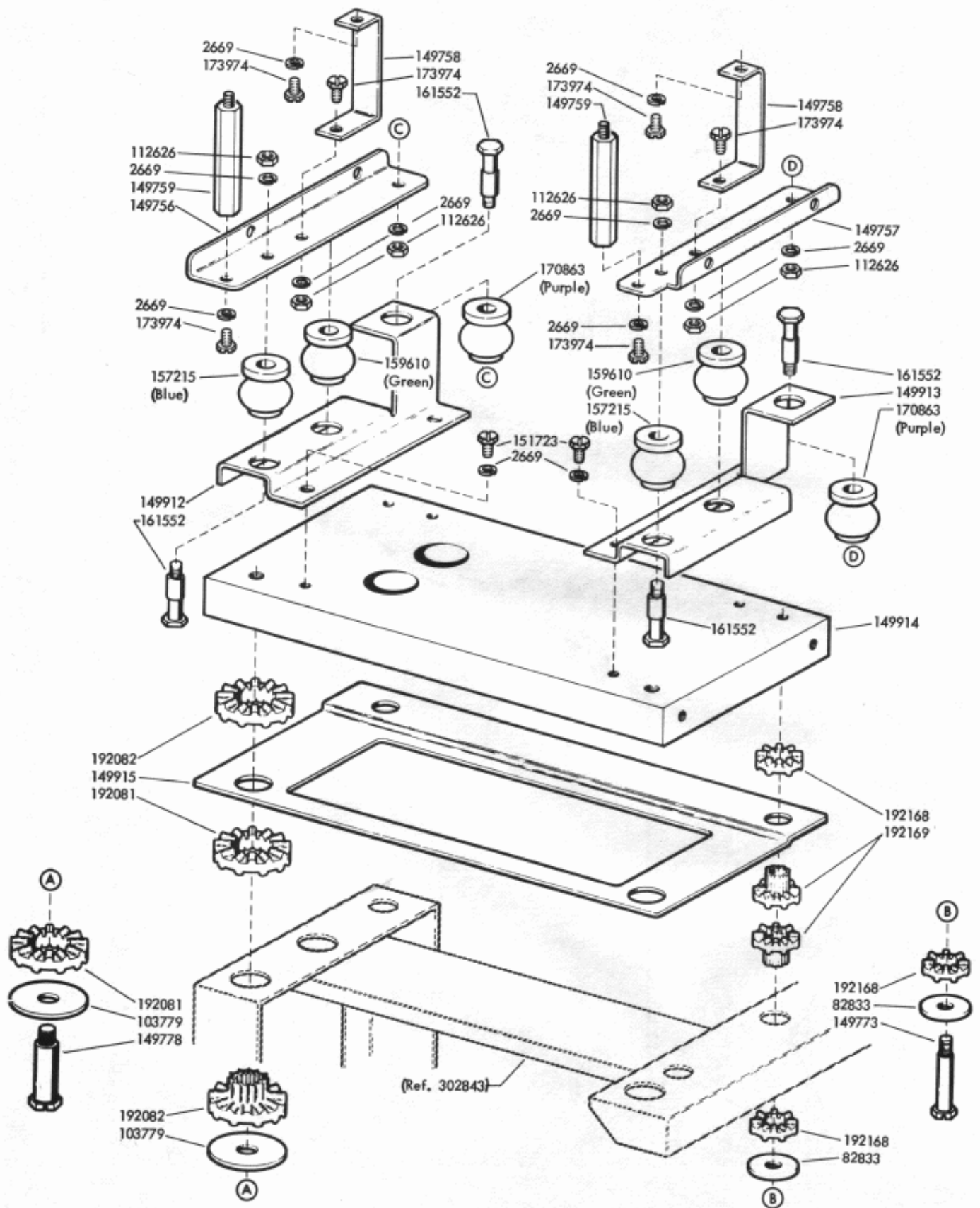


FIGURE 6. PUNCH MOUNTING PARTS

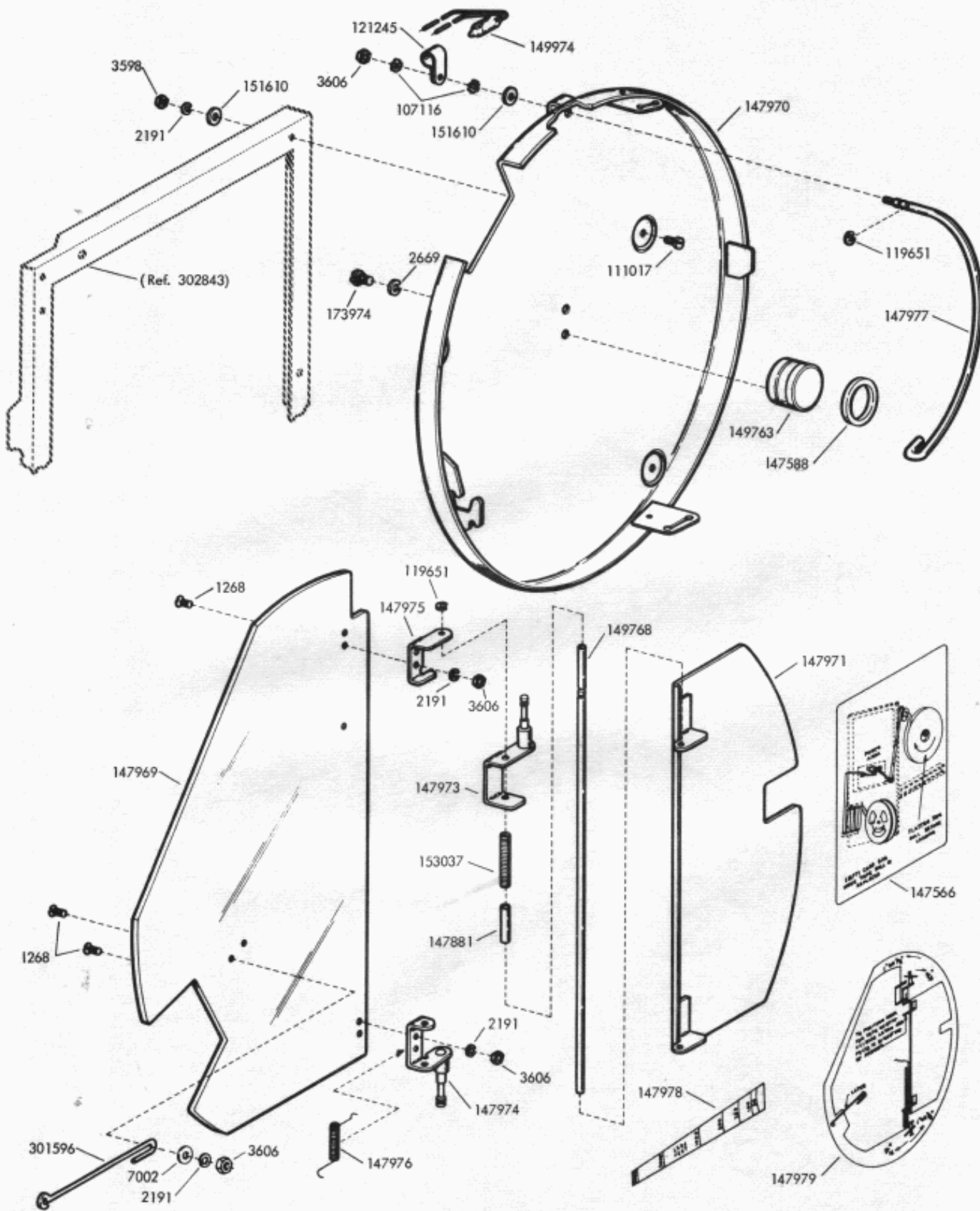


FIGURE 7. TAPE CONTAINER



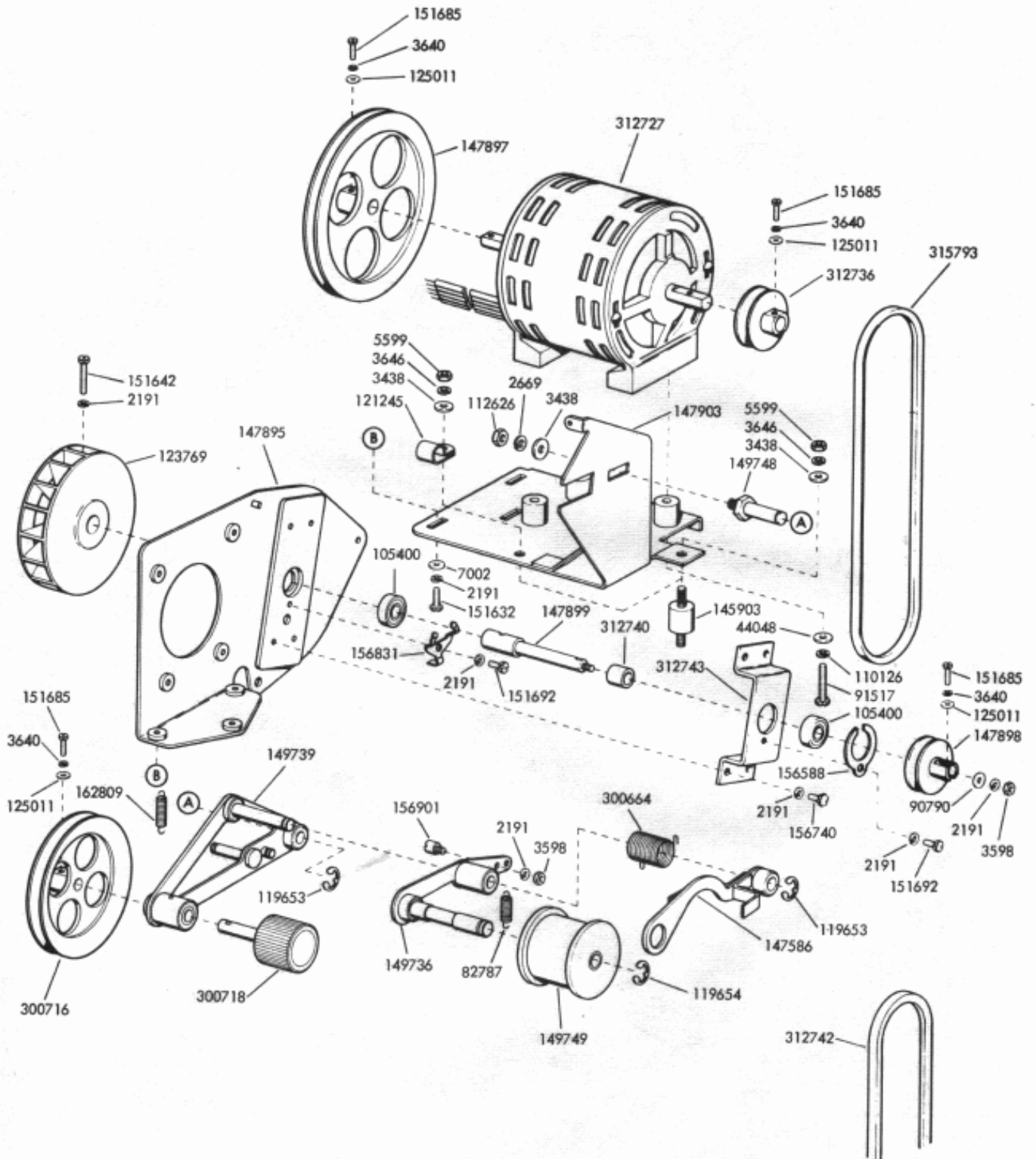


FIGURE 8. CHAD AND TAPE PULLER MECHANISM

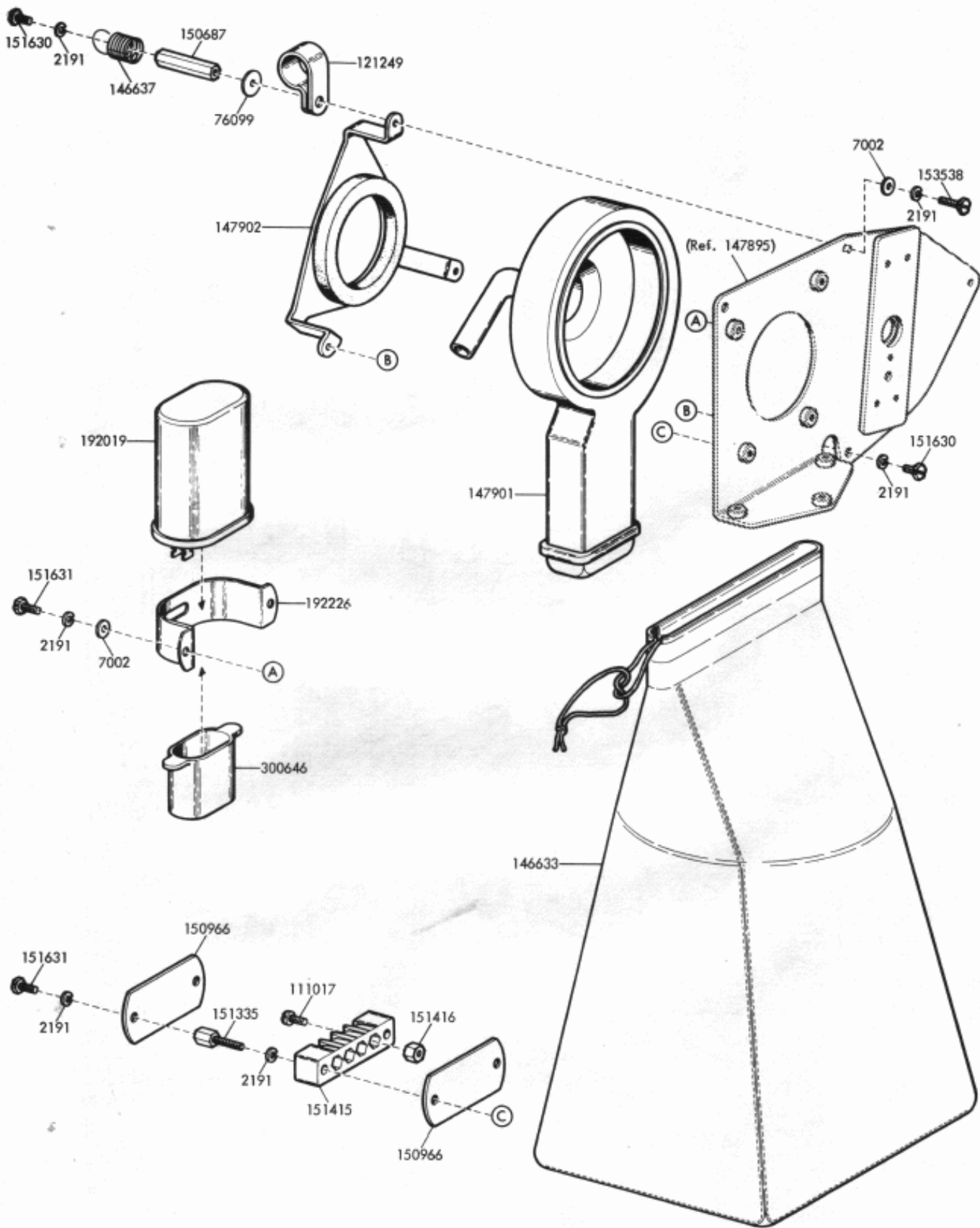
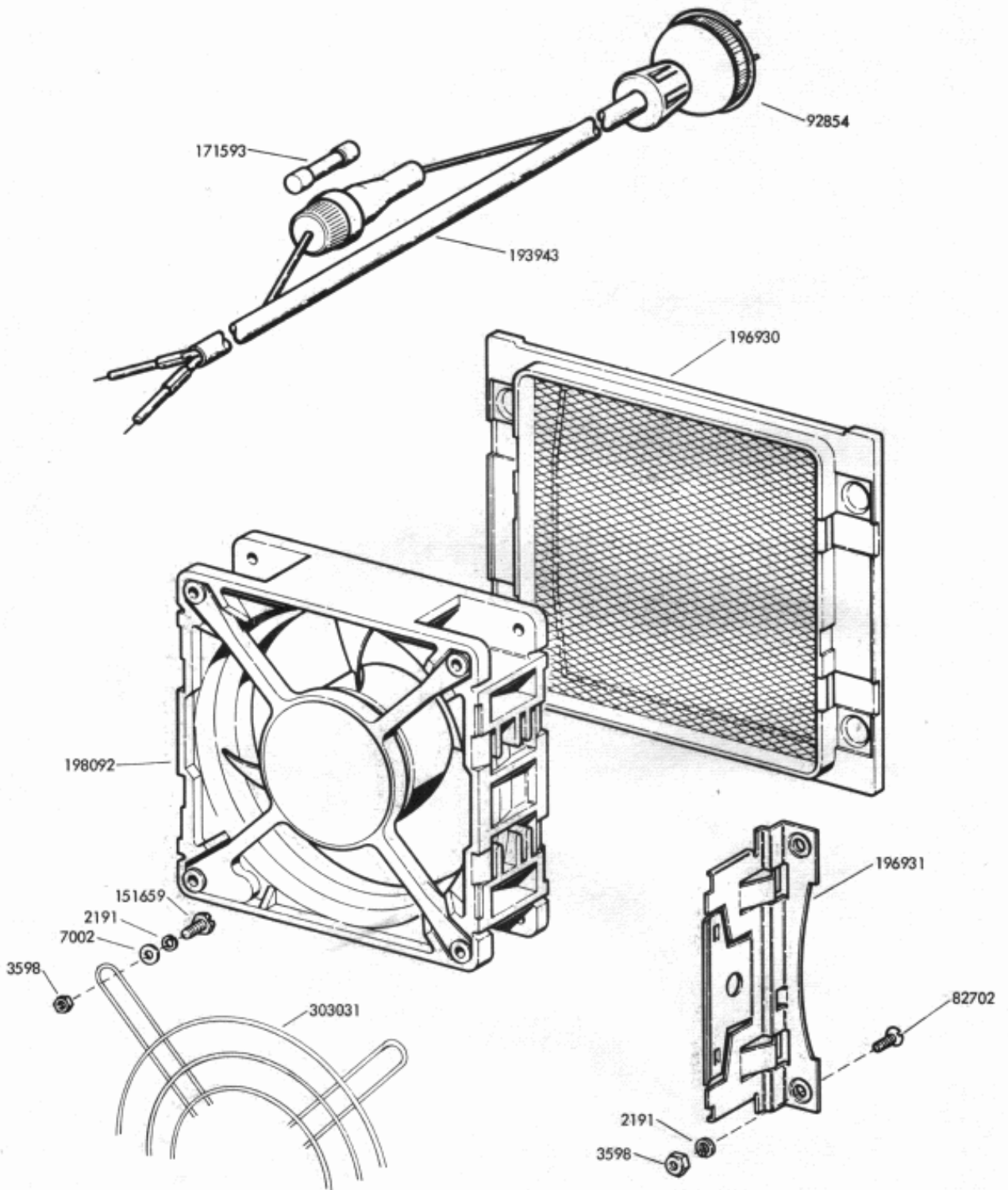
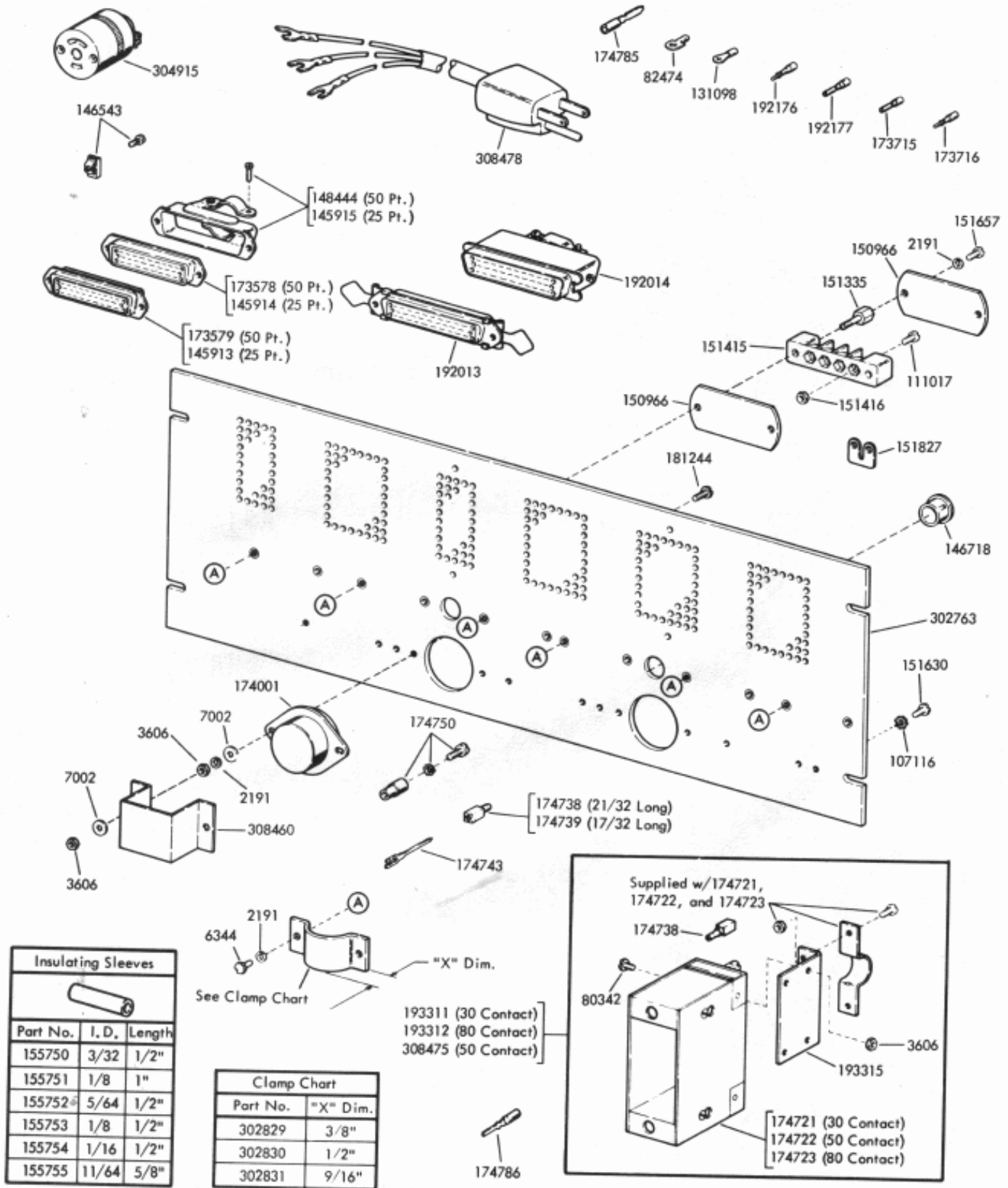


FIGURE 9. CHAD AND TAPE PULLER MECHANISM (Continued)



\*\*Refer to Page 1 for Finish Suffix

FIGURE 10. FAN



Insulating Sleeves		
Part No.	I. D.	Length
155750	3/32	1/2"
155751	1/8	1"
155752	5/64	1/2"
155753	1/8	1/2"
155754	1/16	1/2"
155755	11/64	5/8"

Clamp Chart	
Part No.	"X" Dim.
302829	3/8"
302830	1/2"
302831	9/16"

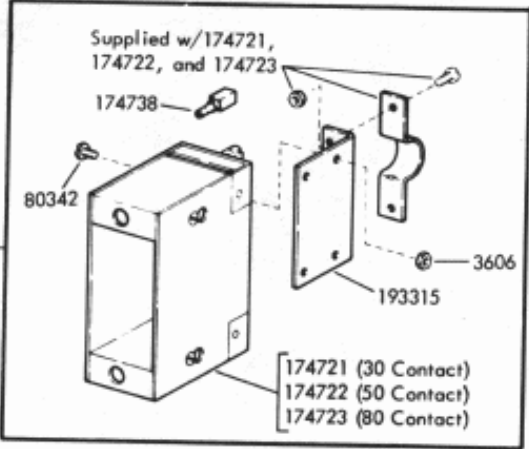


FIGURE 11. 302748 WIRING FIELD ASSEMBLY

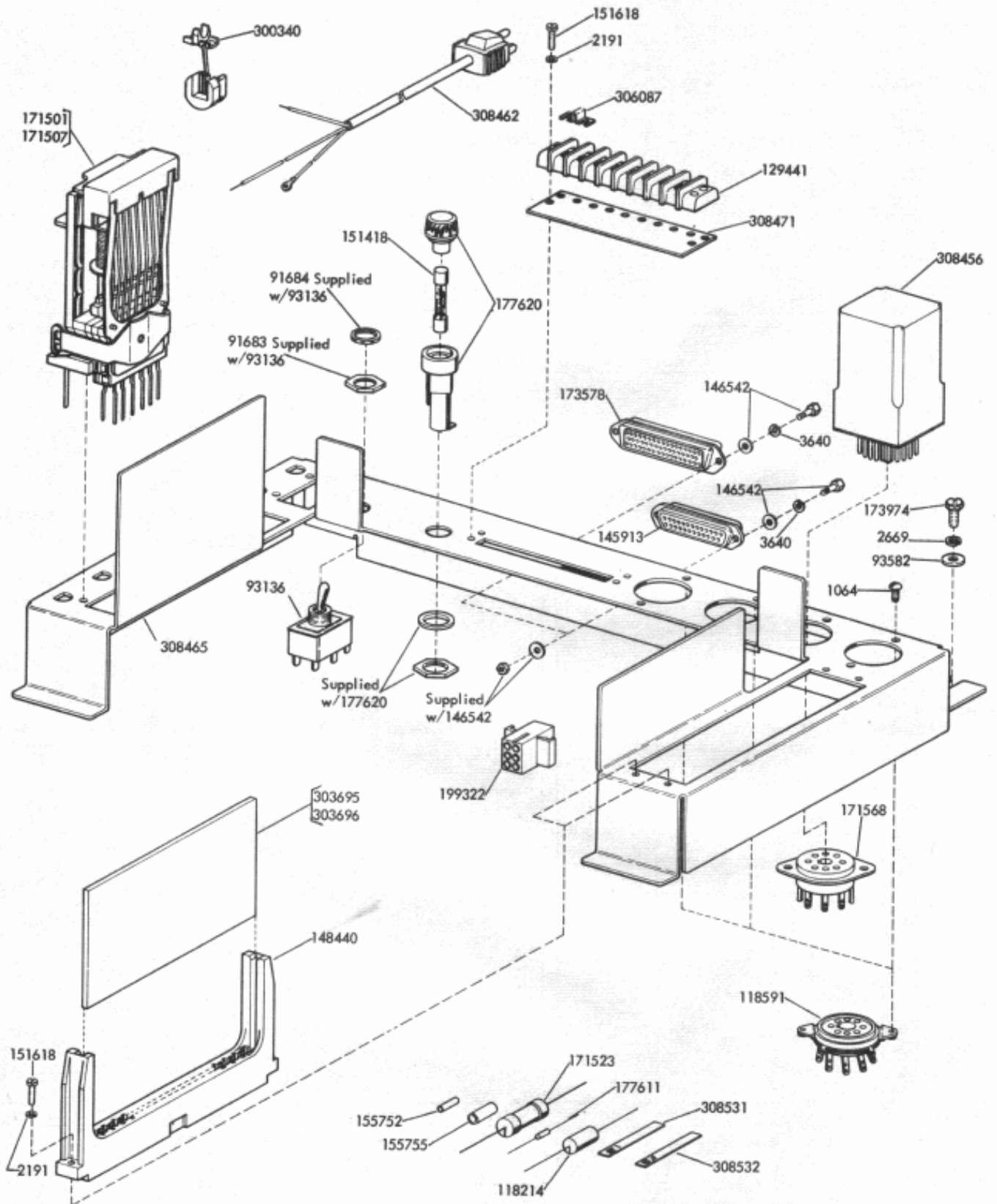
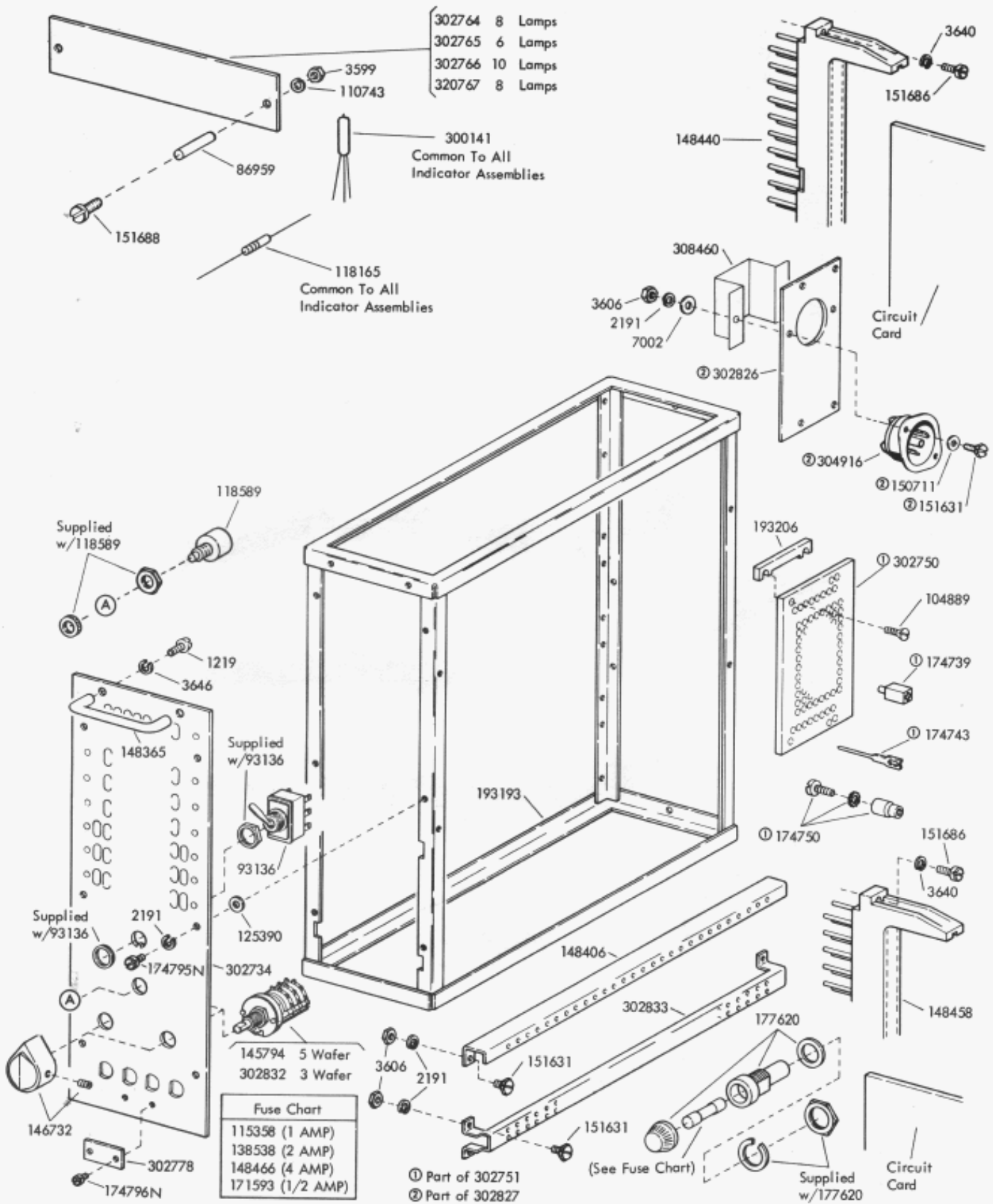


FIGURE 12. 308463 STATION CONTROL ASSEMBLY



For Part Numbers and Positioning of Circuit Cards and other Components see Page 18 (7064WD)

FIGURE 13. 302762 RECEIVER CONTROL MODULE (HSEDC)

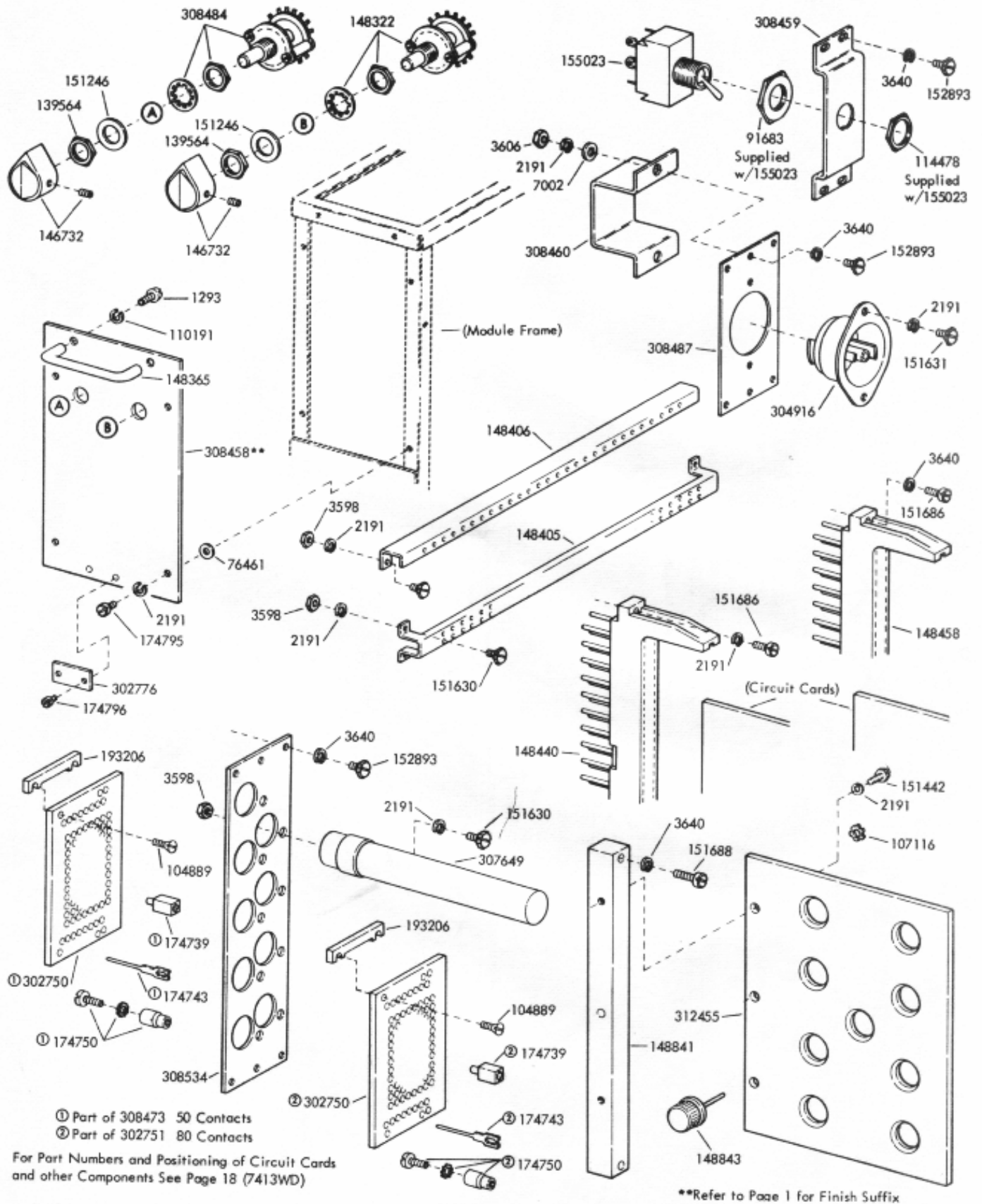
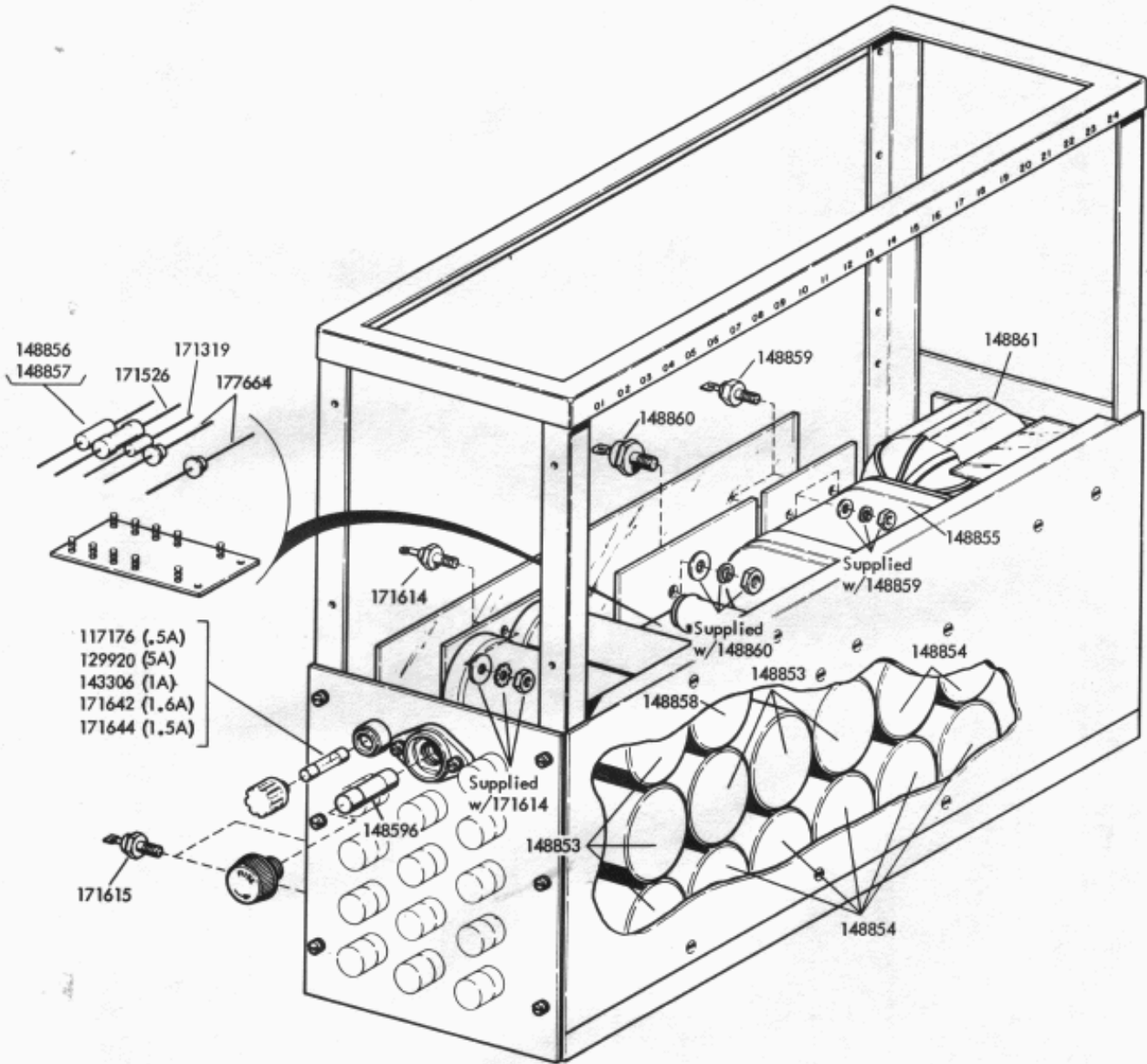


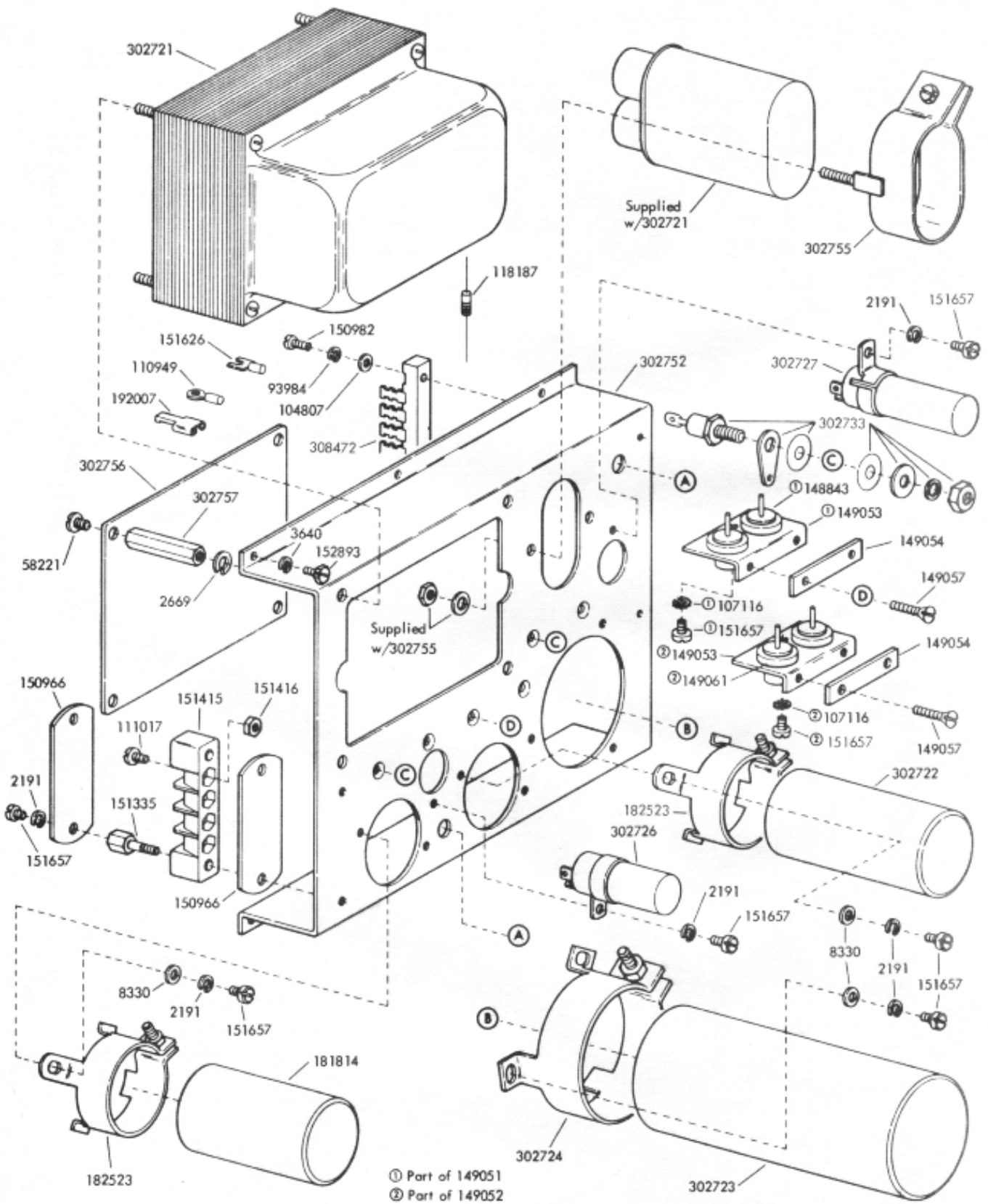
FIGURE 14. 308502\*\* HIGH SPEED RECEIVER DISTRIBUTOR AND PUNCH DRIVER MODULE



\*\*Refer to Page 1 for Finish Suffix

FIGURE 15. 308480\*\* POWER SUPPLY (PART OF 308502\*\* RECEIVER MODULE)





\*\*Refer to Page 1 for Finish Suffix

FIGURE 16. 302720 MULTI-VOLTAGE POWER SUPPLY (PART OF 308502\*\* MODULE)

## MODULE 302762

POSITION ON BRACKET														
Row	1	2	3	4	5	6	7	8	9	10	11	12	13	14
1			172356	172356	177516	172357	177589	172383	177516	172352	172357	172457	172383	172356
2									303603	303640	303606	303606		
3														
4			172353	172353	172327	172327	172327	172353	172353	172327	172320	172320	172327	172320
5			177503	177589	177584	177581	172441	177504	177504	172457	177503	172356	172348	172426
6													172428	172441

## 302762 (Continued)

POSITION ON BRACKET														
Row	15	16	17	18	19	20	21	22	23	24	25	26	27	28
1	172356	172356	172383	172357	172357	172382	172382	177597	172468	172382				302751
2	303601	303635	303679					303609	303606	303641				302827
3														
4	177546	177546	177501	177502	177502	177503	177502	177504	177504	177504	172383	177504	177504	149186
5														
6														

## MODULE 308502\*\*

POSITION ON BRACKET														
Row	1	2	3	4	5	6	7	8	9	10	11	12	13	14
1			155023	303101	303119	172364	172406		177516	172428				
2		303693	303684	303671	303671	303671	303671	303606			303675	303672	303672	303672
3														
4														
5														

## 308502\*\* (Continued)

POSITION ON BRACKET														
Row	15	16	17	18	19	20	21	22	23	24	25	26	27	28
1							304916				308473			302751
2	303672	303672	303672	303672	303672	303672		148840						
3														
4														
5														

\*\*Refer to Page 1 for Finish Suffix

FIGURE 17. 302762 AND 308502\*\* POSITIONING REFERENCE CHARTS

## NUMERICAL INDEX

Part Number	Description and Page Number	Part Number	Description and Page Number	Part Number	Description and Page Number
1064	Screw, 10-32 x 1/2 Rd 13	111017	Screw, 6-40 x 5 16 Fil 4, 5, 8, 10, 12, 17	147824	Shield, Fan 6
1170	Screw, 6-32 x 5/16 Flat 2	112626	Nut, 10-32 Hex 5, 6, 7, 9	147881	Sleeve 8
1219	Screw, 8-32 x 5/16 Fil 14	114478	Nut, 15/32-32 Hex 15	147895	Bracket w Plate 9, 10
1264	Screw, 10-32 x 1/2 Flat 5	115358	Fuse, 1 Amp	147897	Pulley 9
1268	Screw, 6-40 x 5/16 Flat 8	117176	Fuse, SL-BL .5 Amp 16	147898	Pulley 9
1291	Screw, 6-32 x 3/4 Flat 2	118165	Resistor, 470,000 Ohm 14	147899	Shaft 9
1293	Screw, 4-40 x 1/8 Fil 15	118187	Resistor, 27,000 Ohm 17	147901	Casing w Chute, Fan Wheel 10
2034	Washer, Flat 3	118214	Resistor, 27 Ohm 13	147902	Clamp w Gasket 10
2191	Washer, Lock 2 to 6, 8 to 15, 17	118589	Switch, Black Pushbutton 14	147903	Bracket, Motor Mounting 9
2669	Washer, Lock 5, 7, 8, 9, 13, 17	118591	Socket, Tube 13	147969	Door, Plastic 8
3438	Washer, Flat 2, 5, 9	119637**	Button, Plug 2	147970	Container, Universal Tape 8
3598	Nut, 6-40 Hex 3, 4, 5, 8, 9, 11, 15	119648	Ring, Retaining 4	147971	Cover, Rear Tape 8
3599	Nut, 4-40 Hex 14	119651	Ring, Retaining 4, 8	147973	Pivot w Post, Sliding 8
3606	Nut, 6-40 Hex 4, 5, 8, 12, 14, 15	119653	Ring, Retaining 5, 6, 9	147974	Bracket w Post, Pivot 8
3640	Washer, Lock 3, 6, 9, 13, 14, 15, 17	119654	Ring, Retaining 9	147975	Bracket, Hinge 8
3646	Washer, Lock 2, 4, 5, 6, 9, 14	121244	Clamp, 1 4 ID Cable 3	147976	Spring, Torsion 8
5599	Nut, 8-32 Hex 4, 6, 9	121245	Clamp, 5 16 ID Cable 5, 8, 9	147977	Arm, Low Tape 8
6344	Screw, 6-32 x 11/32 Hex 12	121249	Clamp, 5 8 ID Cable 10	147978	Decalcomania 8
6345	Nut, 6-32 Hex 2	123769	Fan, Motor 9	147979	Decalcomania 8
7002	Washer, Flat 4, 5, 6, 8 to 12, 14, 15	124611	Screw, 8-32 x 3 8 Hex 2, 5	148322	Switch, Rotary 15
7664	Pin, Roll 2	125011	Washer, Flat 9	148365	Handle 14, 15
8330	Washer, Flat 17	125390	Washer, Flat 14	148405	Bracket 15
35551	Screw, 10-32 x 3/8 Flat 5	125802	Washer, Flat 2	148406	Bracket 14, 15
44048	Washer, Flat 6, 9	128357	Ring, Retaining 6	148440	Connector, 36 Pt Circuit Card 13, 14, 15
45815	Washer, Lock 6	128913	Screw, 8-32 Self Tapping 3	148444	Clamp, Cable 12
58221	Screw, 6-32 x 1/4 Fil 17	129441	Block, Terminal 13	148458	Connector, 15 Pt Circuit Card 14, 15
70314	Washer, Flat 4	129920	Fuse, SL-BL 5 Amp 16	148466	Fuse, 4 Amp 14
76099	Washer, Flat 10	131098	Terminal 12	148596	Fuse, SL-BL 25 Amp 16
76461	Washer, Flat 15	138538	Fuse, SL-BL 2 Amp 14	148840	Resistor, 5 Ohm 18
80342	Screw, 6-40 x 23/64 Hex 12	139564	Nut, 3 8-32 Hex 15	148841	Bar, Mounting 15
82474	Terminal 5, 12	143306	Fuse, SL-BL 1 Amp 16	148843	Rectifier 15, 17
82702	Screw, 6-40 x 9/32 Flat 11	145794	Switch, Rotary 14	148853	Capacitor, 36,00 MFD 16
82787	Spring 9	145903	Mount, Vibration 6, 9	148854	Capacitor, 3,750 MFD 16
82832	Washer, Lock 5	145913	Connector, 25 Pt Receptacle Type 12, 13	148855	Capacitor, 6 MFD 16
82833	Washer, Flat 7	145914	Connector, 25 Pt Plug Type 12	148856	Resistor, 30 Ohm 16
86959	Bushing, Insulating 14	145915	Clamp, Cable 12	148857	Resistor, 20 Ohm 16
90790	Washer, Flat 9	145982	Detent, Tape Reel 6	148858	Capacitor, 10,00 MFD 16
91517	Screw, 8-32 x 3/4 Rd 9	146355	Plunger 6	148859	Diode 16
91683	Nut, 15/32-32 Hex 13, 15	146518	Roller, Spring 4	148860	Diode 16
91684	Nut, 15/32-32 Ring 13	146542	Post Assembly 13	148861	Transformer 16
92854	Connector, 2 Pt Plug 11	146543	Screw Assembly 12	149051	Rectifier Assembly 17
93136	Switch, DP-DT Toggle 13, 14	146612	Spring, Compression 6	149052	Rectifier Assembly 17
93582	Washer, Flat 13	146633	Bag, Chad 10	149053	Plate, Rectifier 17
93984	Washer, Lock 17	146637	Clip, Spring 10	149054	Insulator 17
98718	Washer, Flat 5	146718	Bushing, Snap 12	149057	Screw, Nylon 4-40 x 1 2 Flat 17
99082	Screw, 8-32 x 11/16 Hex 4	146732	Knob, Pointer 14, 15	149061	Rectifier 17
103779	Washer, Flat 7	147553	Bracket, Guide 4	149186	Board, TB186 Terminal 18
104215	Resistor, 620 Ohm 3	147554	Post, Tape Guide 4	149736	Lever 9
104216	Resistor, 820 Ohm 3	147555	Hub Assembly 6	149739	Lever 9
104807	Washer, Flat 17	147556	Hub 6	149748	Post 9
104889	Screw, 4-40 x 7/16 Flat 14, 15	147557	Post, Tape Guide 4	149749	Roller, Tape Feed 9
105400	Bearing, Ball 9	147559	Spring 5	149756	Rail, Left Mounting 7
107116	Washer, Lock 3, 5, 8, 12, 15, 17	147564	Bushing 4	149757	Rail, Right Mounting 7
107364	Screw, 6-32 x 3/8 Fil 3	147566	Decalcomania 8	149758	Bracket 7
110126	Washer, Lock 9	147586	Lever w/Hub 9	149759	Post 7
110191	Washer, Lock 3, 15	147588	Sleeve 8	149763	Post 8
110743	Washer, Lock 2, 14	147753	Spring, Torsion 4	149768	Pin, Hinge 8
110949	Terminal 17	147754	Post, Spring 5	149773	Screw, 10-32 Shoulder 7
		147755	Arm, Tape Sensing 4	149774	Channel, Left 5
		147760	Latch w/Post 4	149775	Channel, Right 5
		147761	Anchor, Spring 4	149778	Screw, 1 4-32 Shoulder 7
		147762	Shaft 4	149785**	Cabinet 2
		147763	Bracket 4	149912	Bracket, Left 7
		147765	Bail w/Lever 4	149913	Bracket, Right 7

\*\*Refer to Page 1 for Finish Suffix

## NUMERICAL INDEX (Continued)

Part Number	Description and Page Number	Part Number	Description and Page Number	Part Number	Description and Page Number
149914	Plate, Vibration Dampener 7	161708	Latch, Magnetic 2, 4	177546	Card, EC546 Circuit 18
149915	Plate, Support 7	161711	Block, Guide 5	177581	Card, EC581 Circuit 18
149916	Bracket, Motor Mounting 6	161716	Block, Support 5	177584	Card, EC584 Circuit 18
149959	Post, Tape Guide 4	162725	Depressor, Chad 4	177589	Card, EC589 Circuit 18
149962	Post, Tape Guide 4	162809	Spring 9	177597	Card, EC597 Circuit 18
149964	Bracket 5	165027	Network, Spark Suppression 5	177611	Rectifier 13
149971	Bail 5	165116	Terminal 3	177620	Holder, Fuse 13, 14
149974	Switch, Mercury 5, 8	170863	Mount, Vibration 7	177664	Diode 16
150687	Stud 10	171319	Resistor, 50 Ohm 16	180569	Spring, Compression 2
150711	Washer, Flat 14	171501	Relay 13	181244	Screw w/Lockwasher, 6-40 x 7/16 Hex 12
150966	Insulator, Terminal 5, 10, 12, 17	171507	Relay 13	181814	Capacitor, 250 MFD 17
150982	Screw, 4-40 x 7/16 Fil 17	171523	Resistor, 500 Ohm 13	182523	Clamp, 1-3/8" ID Mounting 17
151246	Washer, Flat 15	171526	Resistor, 1,500 Ohm 16	182524	Button Assembly 3
151335	Stud 5, 10, 12, 17	171544	Handle, 2-3/4" Lg 4	182530	Strip Assembly, Lamp 3
151346	Screw, 6-40 x 3/8 Fil 4	171568	Socket, 11 Pt 13	182584	Key Assembly 3
151415	Block, Terminal 5, 10, 12, 17	171593	Fuse, .5 Amp 11, 14	182684	Strap 3
151416	Nut, 6-40 Hex 5, 10, 12, 17	171614	Diode 16	192007	Terminal, Tab Type 17
151418	Fuse, 10 Amp 13	171615	Diode 16	192013	Connector, 50 Pt Plug Type 12
151442	Screw, 6-40 x 1/2 Hex 15	171642	Fuse, SL-BL 1.6 Amp 16	192014	Connector, 50 Pt Receptacle Type 12
151610	Washer, Flat 8	171644	Fuse, 1.5 Amp 16	192019	Capacitor, 3 MFD 10
151618	Screw, 6-40 x 7/16 Fil 13	172320	Card, EC320 Circuit 18	192081	Ring 7
151626	Terminal 5, 17	172327	Card, EC327 Circuit 18	192082	Bushing 7
151630	Screw, 6-40 x 1/4 Hex 5, 6, 10, 12, 15	172348	Card, EC348 Circuit 18	192168	Ring 7
151631	Screw, 6-40 x 5/16 Hex 3, 4, 5, 10, 14, 15	172352	Card, EC352 Circuit 18	192169	Bushing 7
151632	Screw, 6-40 x 3/8 Hex 5, 9	172353	Card, EC353 Circuit 18	192176	Terminal, Plug Type 12
151642	Screw, 6-40 x 3/4 Fil 9	172356	Card, EC356 Circuit 18	192177	Terminal, Receptacle Type 12
151657	Screw, 6-40 x 1/4 Fil 12, 17	172357	Card, EC357 Circuit 18	192226	Bracket, Capacitor Mounting 10
151659	Screw, 6-40 x 1/2 Fil 11	172364	Card, EC364 Circuit 18	192781	Screw, 6-40 Spl 4
151685	Screw, 4-40 x 5/16 Fil 3, 9	172382	Card, EC382 Circuit 18	193179	Lamp, 28V 3
151686	Screw, 4-40 x 3/8 Fil 6, 14, 15	172383	Card, EC383 Circuit 18	193193	Frame 14
151687	Screw, 4-40 x 7/16 Fil 2	172406	Card, EC406 Circuit 18	193206	Spacer 14, 15
151688	Screw, 4-40 x 5/8 Fil 14, 15	172426	Card, EC426 Circuit 18	193311	Connector Assembly 12
151692	Screw, 6-40 x 3/16 Fil 9	172428	Card, EC428 Circuit 18	193312	Connector Assembly 12
151722	Screw, 6-40 x 3/16 Hex 3	172441	Card, EC441 Circuit 18	193315	Bracket, Connector 12
151723	Screw, 10-32 x 3/8 Hex 7	172457	Card, EC457 Circuit 18	193943	Cable Assembly 11
151827	Strap, Terminal 5, 12	172468	Card, EC468 Circuit 18	194987	Screw, 8-32 x 3/8 Hex 6
152893	Screw, 4-40 x 1/4 Hex 15, 17	172715	Screw, 10-24 Captive 2	195795	Pulley, 16T 6
153037	Spring 8	172763	Nut, Grip 2	196930	Grille 11
153103	Screw, 4-40 Self-Tapping 3	173116	Pin 4	196931	Clip 11
153442	Screw, 10-32 x 1/2 Hex 5	173578	Connector, 50 Pt Receptacle Type 12, 13	198092	Fan 11
153538	Screw, 6-40 x 7/16 Hex 10	173579	Connector, 50 Pt Plug Type 12	199322	Connector, 6 Pt Receptacle Type 13
155023	Switch, DP-DT Toggle 15, 18	173715	Terminal, Plug Type 12	199549	Lamp, 48V 3
155750	Sleeve, 3/32 ID x 1/2" Lg Insulating 12	173716	Terminal, Receptacle Type 12	199901	Reel, Tape 6
155751	Sleeve, 1/8 ID x 1" Lg Insulating 12	173974	Screw, 10-32 x 5/16 Hex 7, 8, 13	300141	Triode, Indicating 14
155752	Sleeve, 5/64 ID x 1/2" Lg Insulating 3, 12, 13	174001	Connector, 3 Pt Receptacle 12	300340	Bushing 13
155753	Sleeve, 1/8 ID x 1/2" Lg Insulating 12	174678	Nut, Speed 3	300646	Boot, Rubber 10
155754	Sleeve, 1/16 ID x 1/2" Lg Insulating 12	174721	Connector, 30 Pt Plug Type 12	300656	Transformer 5
155755	Sleeve, 11/64 ID x 5/8" Lg Insulating 3, 12, 13	174722	Connector, 50 Pt Plug Type 12	300664	Spring, Torsion 9
156588	Ring, Retaining 9	174723	Connector, 80 Pt Plug Type 12	300716	Pulley, V Belt 9
156740	Screw, 6-40 x 7/32 Hex 9	174738	Insulator, White 12	300718	Driver, Roller 9
156768	Screw, 8-32 x 9/32 Hex 6	174739	Insulator, White 12, 14, 15	301596	Latch, Door 8
156831	Clamp 9	174743	Terminal, Plug Type 12, 14, 15	302720	Power Supply 1, 17
156901	Post, Eccentric 9	174750	Key Assembly, Locating 12, 14, 15	302721	Transformer 17
157215	Mount, Vibration 7	174785	Terminal, Plug Type 12	302722	Capacitor, 2,500 MFD 17
159610	Mount, Vibration 7	174786	Terminal, Plug Type 12	302723	Capacitor, 17,000 MFD 17
160664	Pin, Roll 6	174795N	Screw, 6-40 x 1/4 Fil 14, 15	302724	Clamp, Capacitor 17
161552	Screw, 10-32 Spl 7	174796N	Screw, 2-56 x 5/64 Fil 14, 15	302726	Resistor, 7.5 Ohm 17
		176163	Jumper, 18" Black 5	302727	Resistor, 7.5-70 Ohm 17
		177501	Card, EC501 Circuit 18	302733	Diode 17
		177502	Card, EC502 Circuit 18	302734	Plate, Front 14
		177503	Card, EC503 Circuit 18	302745	Stud 6
		177504	Card, EC504 Circuit 18	302748	Field Assembly, Wiring 1, 12
		177516	Card, EC516 Circuit 18	302750	Plate, Connector 14, 15

## NUMERICAL INDEX (Continued)

Part Number	Description and Page Number	Part Number	Description and Page Number	Part Number	Description and Page Number
302751	Plate Assembly, 80 Pt Connector 14, 15, 18	302856	Bracket 5	308478	Cord, Power 12
302752	Chassis, Power Supply 17	303030	Lever w/Shaft 4, 5	308480**	Power Supply 1, 16
302755	Clamp, Capacitor 17	303031	Guard, Fan 11	308484	Switch, Rotary 15
302756	Plate, Insulator 17	303036	Plate w/Post 4	308487	Plate, Mounting 15
302757	Post 17	303039	Spring, Latch 4	308491	Switch, Pushbutton 3
302762	Module 1, 14, 18	303040	Window 4	308494	Switch, Pushbutton 3
302763	Plate Assembly, Connector 12	303041	Clamp 4	308495	Lens, White 3
302764	Indicator Assembly 14	303042**	Cover 4	308496	Lens, Red 3
302765	Indicator Assembly 14	303043**	Cover Assembly 4	308499	Lens, Yellow 3
302766	Indicator Assembly 14	303101	Card, EC101 Circuit 18	308502**	Module 1, 15, 16, 17, 18
302767	Indicator Assembly 14	303119	Card, EC119 Circuit 18	308531	Strip, Identification 13
302776	Plate, Identification 15	303601	Card, EC601 Circuit 18	308532	Strip, Identification 13
302778	Plate, Identification 14	303603	Card, EC603 Circuit 18	308534	Bracket 15
302791	Screw, 4-40 Shoulder 3	303606	Card, EC606 Circuit 18	308543	Bracket 3
302794	Holder, Plastic 3	303609	Card, EC609 Circuit 18	308544	Insulator 3
302795	Label 3	303635	Card, EC635 Circuit 18	309370	Button 4
302805	Plate, Switch 3	303640	Card, EC640 Circuit 18	309373	Spring, Torsion 4
302806**	Panel, Control 3	303641	Card, EC641 Circuit 18	309899	Network, Spark Suppression 5
302808**	Panel, Cover 3	303671	Card, EC671 Circuit 18	312455	Plate, Diode 15
302812**	Door, Front 2	303672	Card, EC672 Circuit 18	312727	Motor, 115V 60 50 Cycle, 1500 1200 RPM Induction 9
302814**	Panel, Rear 2	303675	Card, EC675 Circuit 18	312735	Cable w Terminals 5
302815	Strip, Rubber 3	303679	Card, EC679 Circuit 18	312736	Pulley 9
302816**	Rack, Mounting 3	303684	Card, EC684 Circuit 18	312740	Spacer 9
302817**	Retainer 3	303693	Card, EC693 Circuit 18	312742	Belt, V 9
302818**	Panel 3	303695	Card, EC695 Circuit 13	312743	Bracket, Bearing 9
302819**	Tray 2	303696	Card, EC696 Circuit 13	315675	Collar 2
302822	Plate, Name 3	304153	Jumper, 6" Black 5	315793	Belt, V 9
302823	Plate, Name 3	304915	Connector, 2 Pt Receptacle 12	320393	Post 6
302826	Plate 14	304916	Connector, 2 Pt Plug 14, 15, 18	320394	Plate, Pivot 6
302827	Plate Assembly 14, 18	306087	Jumper 13	320395	Post, Spring 6
302829	Clamp, Cable 12	307649	Resistor, 5 Ohm 15	320396	Arm, Pivot 6
302830	Clamp, Cable 12	308456	Relay 13	320397	Motor 6
302831	Clamp, Cable 12	308458**	Plate, Front 15	320398	Spring, Torsion 6
302832	Switch, Rotary 14	308459	Bracket, Mounting 15	320399	Sprocket, Timing 6
302833	Bracket 14	308460	Cover 12, 14, 15	321083	Motor, 115V 90 107 RPM Gear Reducer 6
302842**	Panel, Front 4	308462	Cord, 144" Power 13	326744	Fan, Motor 6
302843	Frame, Inner 5, 6, 7, 8	308463	Control Assembly, Station 1, 13	326797	Fan, Motor 6
302846	Bracket, Right 2	308465	Chassis 13		
302847	Bracket, Left 2	308471	Insulator 13		
302848	Bracket 2	308472	Board, Terminal 17		
302849	Post 2	308473	Plate Assembly, 50 Pt Connector 15, 18		
302855	Shield, Fan 6	308475	Connector Assembly 12		

\*\*Refer to Page 1 for Finish Suffix