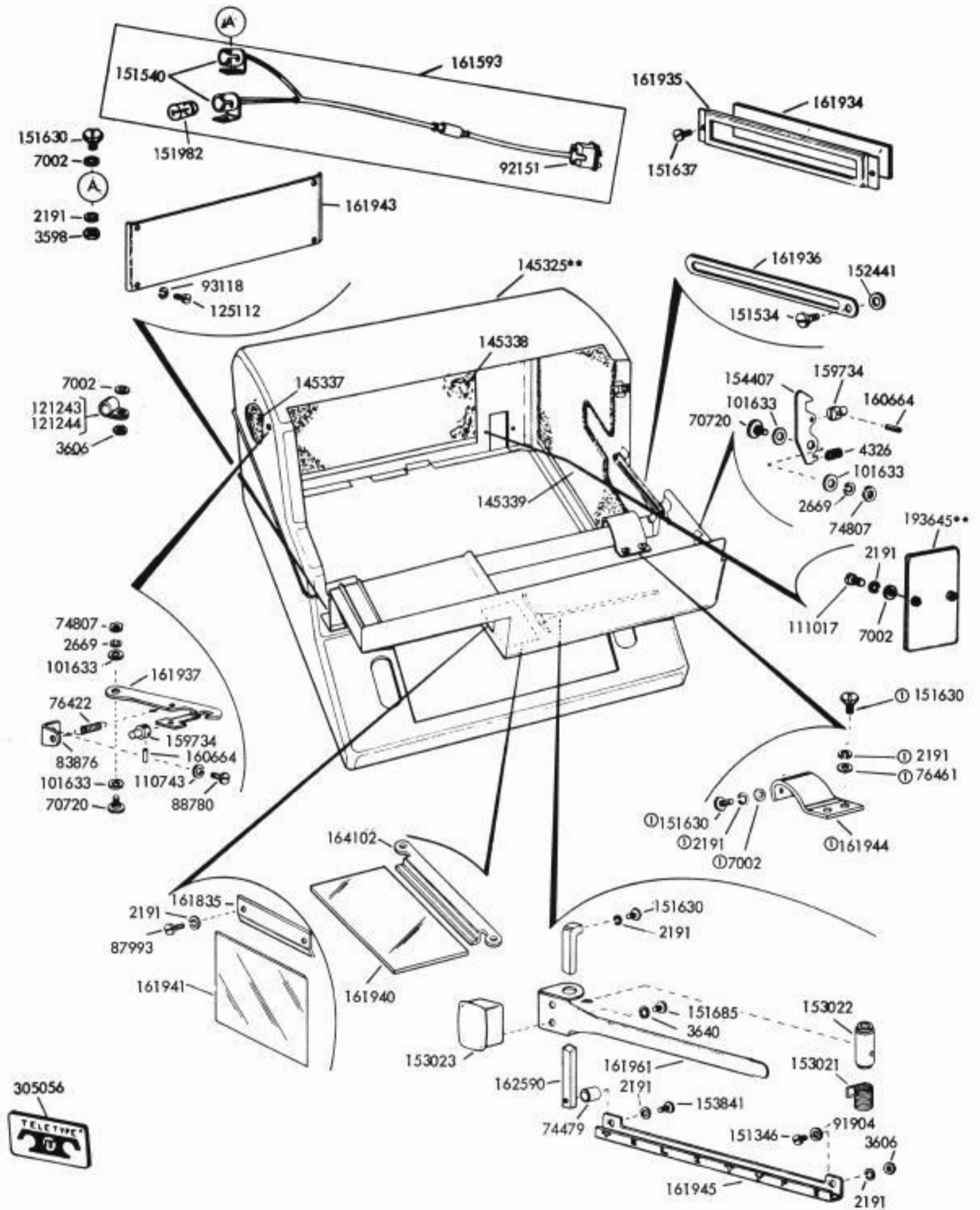
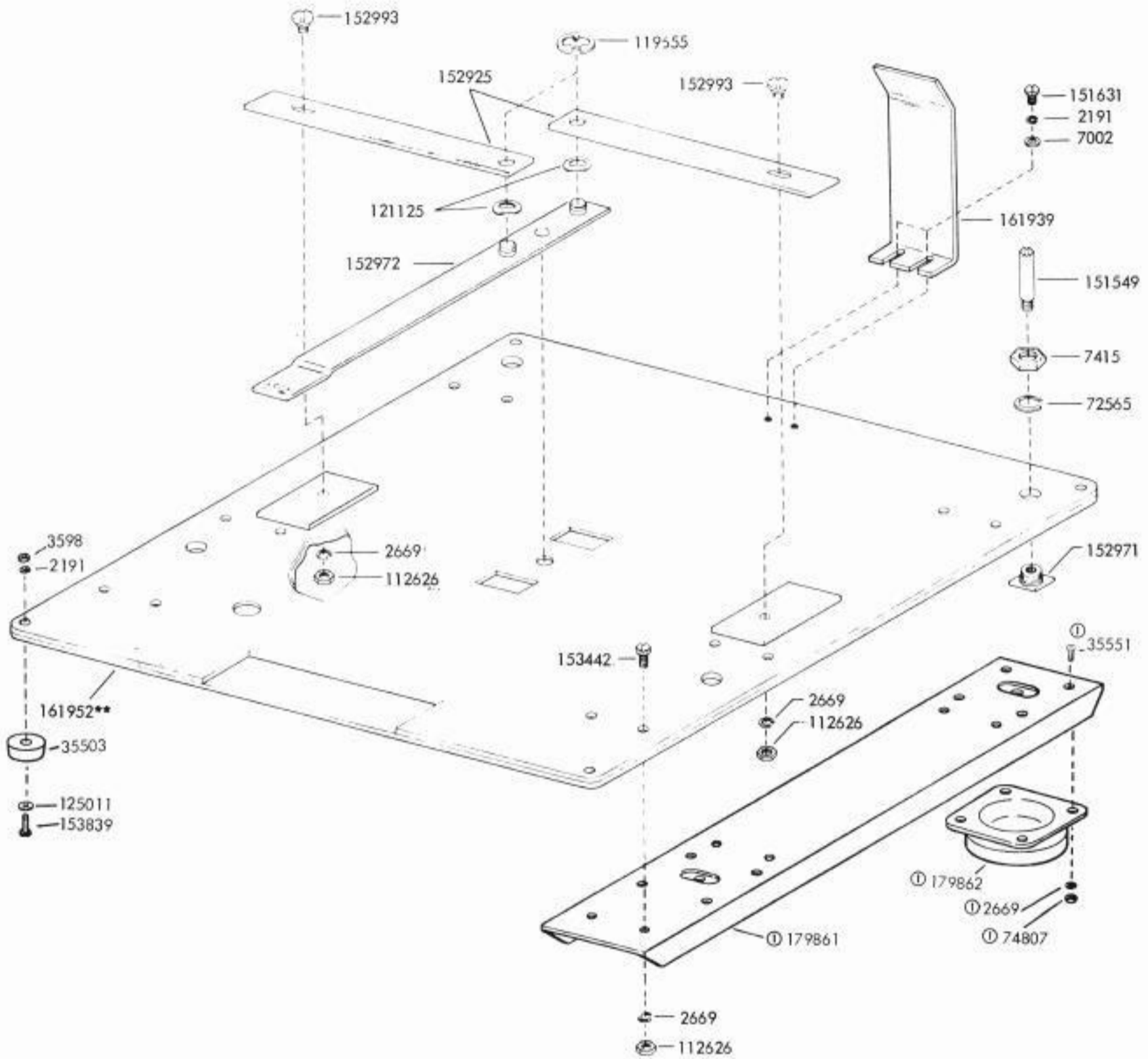


FIGURE 9. TABLE (w/Full Door)



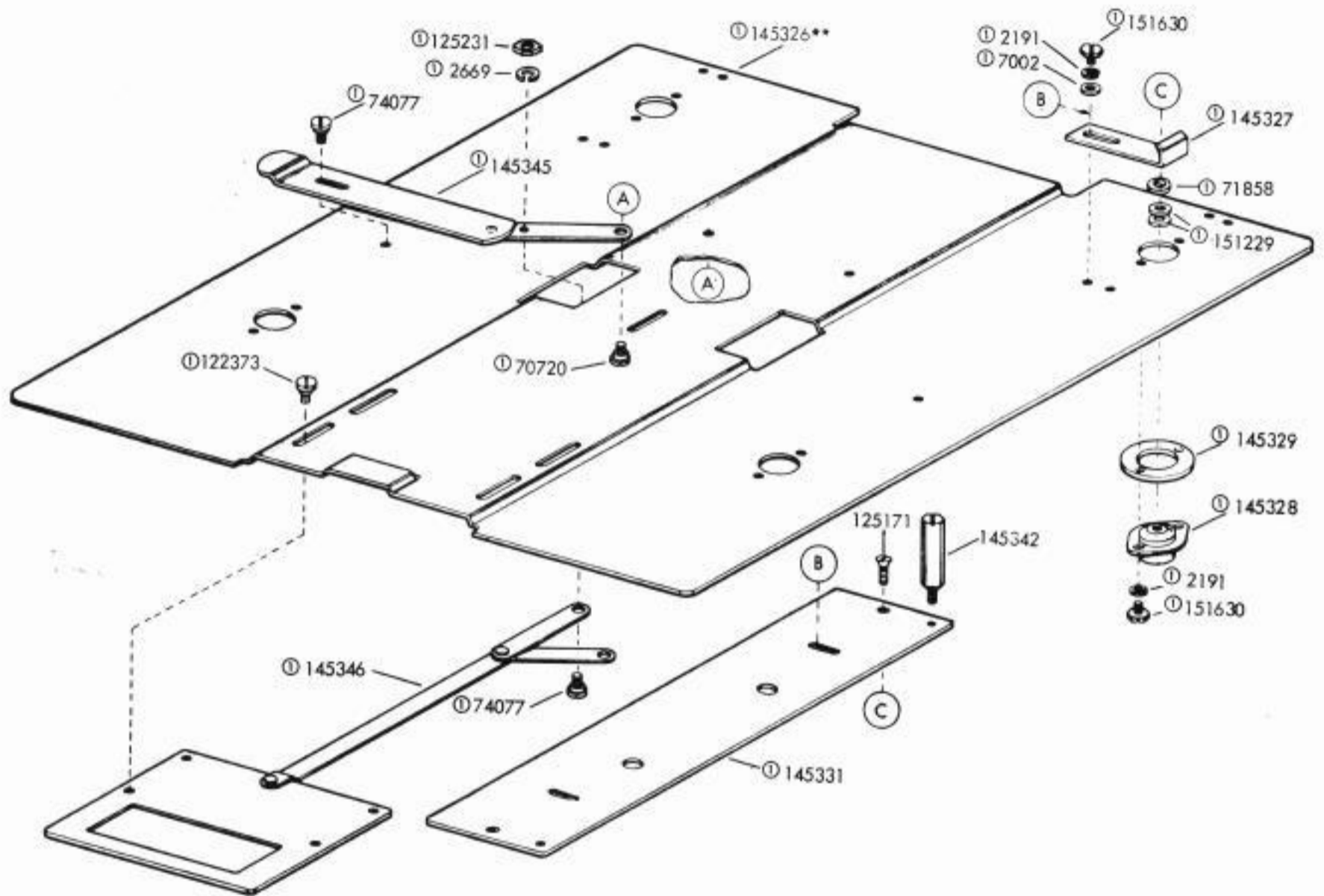
⓪ Supplied w/145325**
 **Refer to page 1 for finish suffix

FIGURE 6. SEND-RECEIVE COVER



① 161949 Vibration Mount Assembly
 **Refer to page 1 for finish suffix

FIGURE 7. TAPE PRINTER SUB-BASE



① 145340** Plate Assembly

**Refer to page 1 for finish suffix

FIGURE 8. TAPE PRINTER SUB-BASE