

28 ELECTRICAL SERVICE UNIT

DESCRIPTION AND PRINCIPLES OF OPERATION

| CONTENTS | PAGE |
|--|------|
| 1. GENERAL | 1 |
| 2. DESCRIPTION | 1 |
| 3. PRINCIPLES OF OPERATION | 3 |
| LINE SHUNT RELAY | 3 |
| LINE RELAY | 3 |
| RECTIFIER ASSEMBLY | 3 |
| SIGNAL LINE LIMITING RESISTANCE | 4 |
| LINE TEST KEY ASSEMBLY | 4 |
| CAPACITOR-RESISTOR ASSEMBLY | 4 |
| MOTOR CONTROL MECHANISMS | 4 |
| A. Relay Motor Control Mechanism | 4 |
| B. Electrical Motor Control Mechanism | 4 |
| SELECTOR MAGNET DRIVER ASSEMBLY | 6 |

1. GENERAL

1.01 The 28 electrical service units serve as an area of concentration for the wiring of 28-type apparatus and provide mounting facilities for various electrical assemblies and components.

1.02 The operational facilities provided by the electrical service unit vary, depending upon the number and complexity of functions performed by the set.

1.03 Complete operation of an electrical service unit requires connection with other components of the set with which it is used. Additional information concerning the support

functions of the unit may be found in sections discussing specific components and complete sets. Only independent features of the electrical service unit are discussed in this section, under Principles of Operation.

2. DESCRIPTION

2.01 The electrical service unit (Figure 1) consists, basically, of a metal frame, or chassis, and a number of mounting plate assemblies. The chassis has four legs that permit the unit to be turned upside down for maintenance purposes. Cutouts for routing cables or mounting switches and controls, as required, are provided. The mounting plate assemblies are installed on the blank top of the chassis. Unused positions are occupied by blank mounting plates. Terminal boards and cables, required for interconnection of the assemblies with other components, are provided by the installed assemblies.

2.02 Some of the features that may be mounted on the unit are listed below:

- (a) Line shunt relay assembly.
- (b) Line (polar) relay assembly.
- (c) Rectifier assembly.
- (d) Line test key assembly.
- (e) Capacitor-resistor assembly.
- (f) Motor control assembly.
- (g) Signal line limiting resistance.
- (h) Convenience outlets (115 ac).
- (i) Convenience outlet fuses.
- (j) Power switch (may be installed directly on chassis).
- (k) Selector magnet driver.

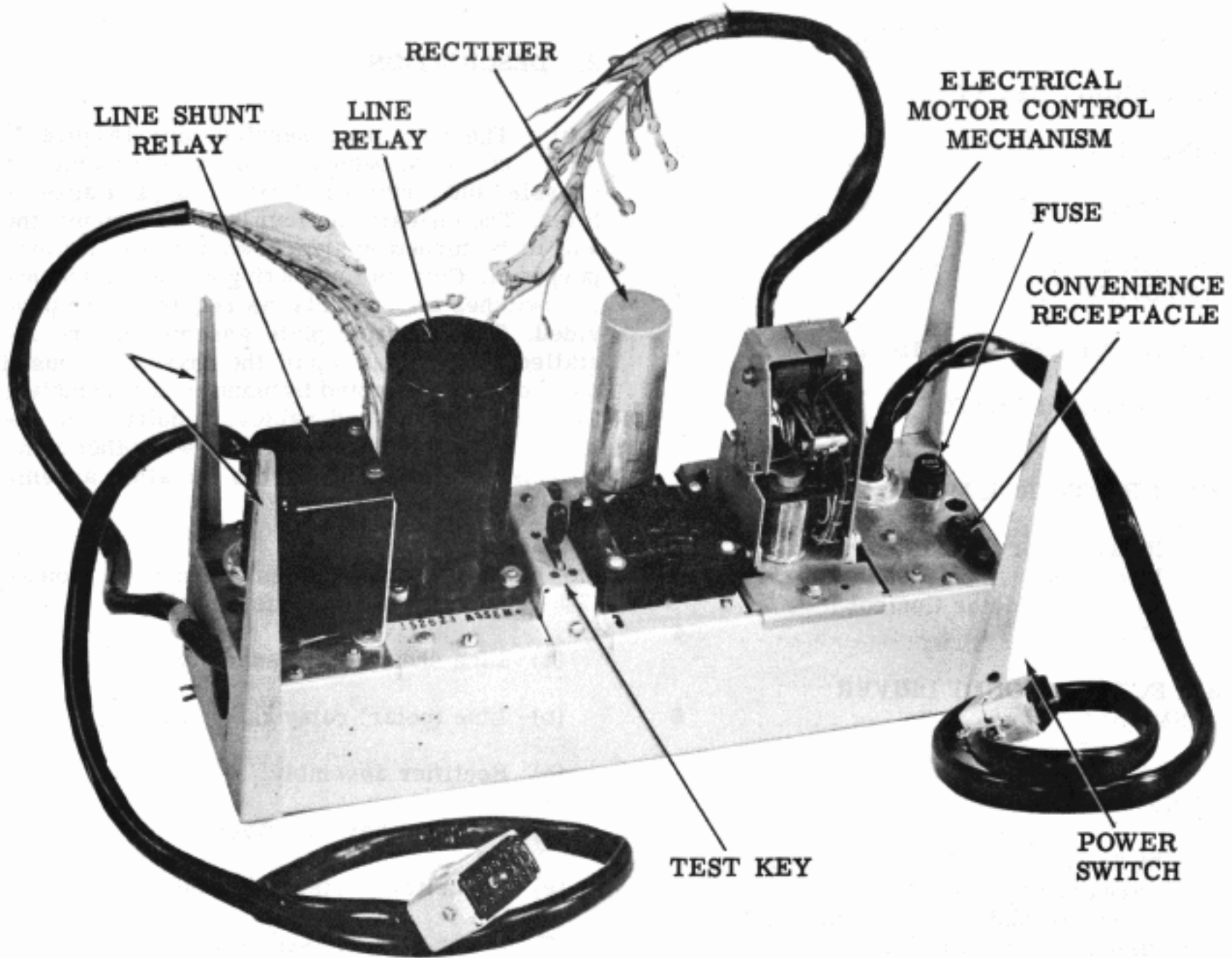


Figure 1 - Typical 28 Electrical Service Unit

3. PRINCIPLES OF OPERATION

LINE SHUNT RELAY (Figures 1 and 2)

3.01 The signal line is connected through the line shunt relay contacts, either to the line relay or directly to the selector magnets of a receiving unit; eg, a typing unit is shown in Figure 2. The solenoid of this relay is controlled by the main power switch and, if present, the motor control mechanism. If power is removed from the set, through opening of the main power switch or by action of the motor control mechanism (3.09), the relay releases and maintains signal line continuity while bypassing the local unit.

LINE RELAY (Figures 1 and 2)

3.02 The line relay is used to reduce the effects of line distortion or to convert a polar signal to the neutral form required by the selector magnets. The relay has two windings: one, the line winding, is operated by the signal line and the other, the bias winding, is operated

by a local dc source, such as the rectifier assembly (3.05). Operation of the relay is as follows:

3.03 Signal Line Spacing: During a spacing (no current) pulse, current from the local dc source energizes the bias winding, causing the armature to be attracted to the space contact. In this position, no current is supplied to the selector magnets.

3.04 Signal Line Marking: During a marking (current) pulse, the signal line current applied to the line winding is of sufficient magnitude to create a magnetic flux that overcomes the attraction of the bias winding. The relay armature is attracted to the mark contact, which connects the local dc source to the selector magnets.

RECTIFIER ASSEMBLY (Figure 1)

3.05 The rectifier assembly (Figure 1) consists of a power transformer, two semiconductor type rectifiers arranged for full-wave

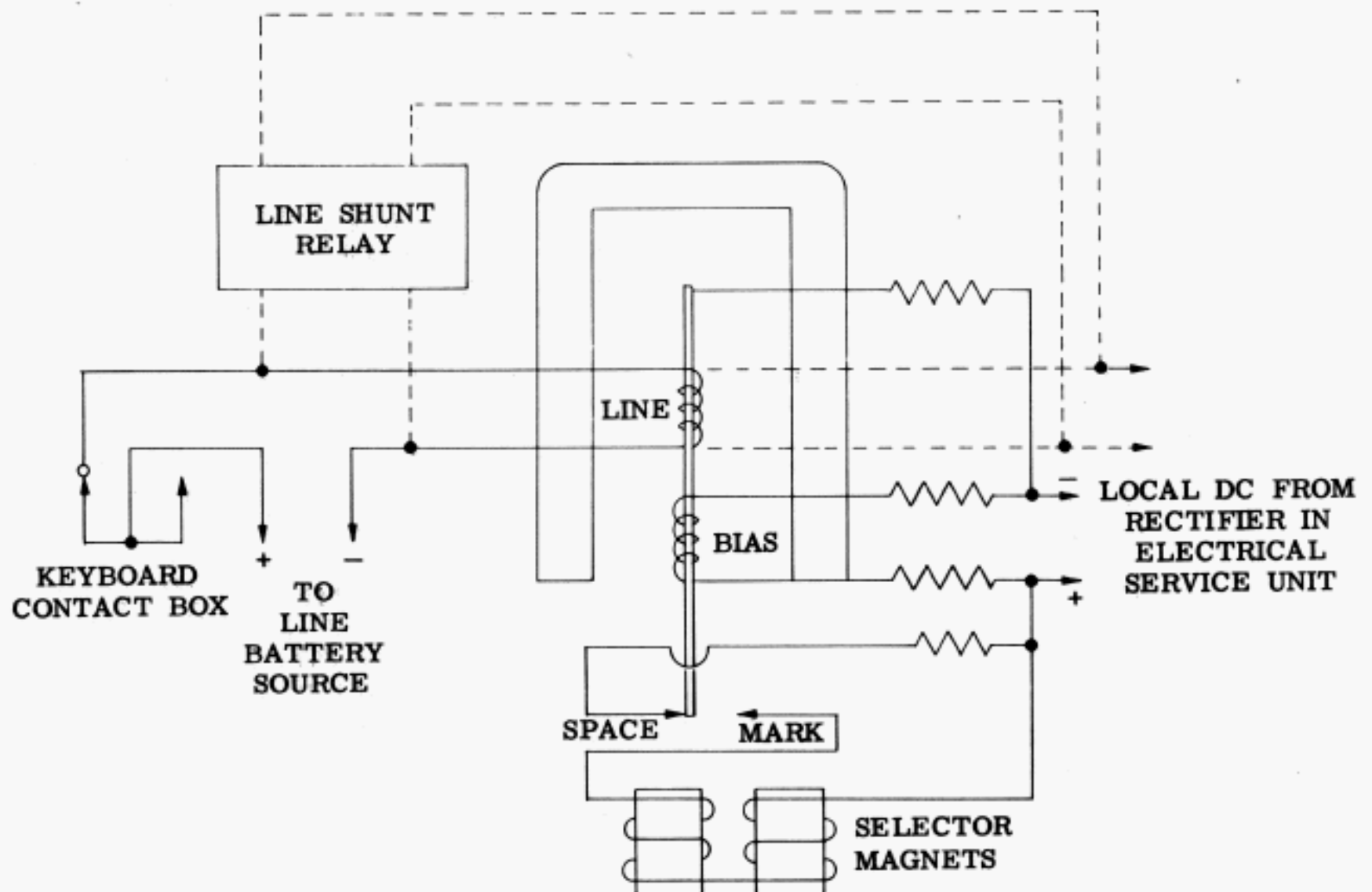


Figure 2 - Line Relay Circuit

rectification, and a filter capacitor. Rectifier assemblies are available providing outputs of 120, 300, and 500 ma., respectively. Each provides 120 vdc from an input of 115 vac ($\pm 5v$), 50 to 60 cps, single phase. The output of the rectifier is normally used in local circuits, such as the receiving unit selector magnets (3.01), the line relay bias winding (3.02), and the line test key assembly (3.07). The rectifier supplying 120 ma is generally adequate for applications such as the KSR, ROTR etc. The 300 ma and the 500 ma rectifier assemblies are necessary when additional external equipment are used.

SIGNAL LINE LIMITING RESISTANCE

3.06 Used in place of the line relay (3.02), an assembly containing a fixed or variable resistor (rheostat) may be installed to limit the signal line current to either 0.020 or 0.060 amperes.

LINE TEST KEY ASSEMBLY

3.07 The line test key assembly permits manual shunting of the signal line for independent operation of the set. The assembly may be wired to draw 0.020 or 0.060 amperes from the local dc supply. It contains an additional set of contacts that may be used to provide audible or visual indications.

CAPACITOR-RESISTOR ASSEMBLY

3.08 An assembly composed of a capacitor and resistor may be used to permit the operation of such local components as the ac/dc series governed motor unit or the line test key assembly from a direct dc source.

MOTOR CONTROL MECHANISMS

A. Relay Motor Control Mechanism

3.09 The relay motor control mechanism provides control of motors under two different operating conditions. Connected to control a separate loop, the relay motor control mechanism will stop all motors in the loop each time loop battery is applied or removed. Connected in the signal line circuit, the mechanism will stop all motors in the circuit whenever the signal line current is reversed.

3.10 The relay motor control mechanism consists of a solenoid operator, a single-pole, double-throw enclosed switch, a terminal block, and a cable for interconnection with the motor control and power terminal block of the electrical service unit. A rectifier assembly which mounts on the terminal block is required for reversed signal line operation.

3.11 In separate motor control loop operation, the contacts of the switch are placed in the motor power circuit. Control power, which is externally supplied, energizes the solenoid causing the switch contacts to change position. The switch contacts may be connected for motor start when the solenoid is energized and motor stop when the solenoid is de-energized, or motor start when the solenoid is de-energized and motor stop when the solenoid is energized. Resistors may be required to limit the control line current.

3.12 In reversed signal line current operation, the solenoid is inserted in the signal line circuit. The rectifier assembly is bridged across the solenoid coil with polarization that permits current flow when signals are being received. The rectifier exhibits a very low resistance in the forward direction, resulting in a negligible current flow through the solenoid coil, and minimum distortion of the signal. The switch contacts are connected in the motor power circuit to provide a closed circuit when the solenoid is de-energized. Reversing the polarity of the signal line current causes the solenoid to operate and the switch contacts to change position and open the motor power circuit.

B. Electrical Motor Control Mechanism (Figures 1 and 3)

3.13 The electrical motor control mechanism is controlled by signals generated by an external source such as a typing unit stunt box contact or by a keyboard or base unit time delay mechanism that responds to an idle signal line condition. When the mechanism is installed, the set's wiring is such that the circuit through the line shunt relay is under the control of the motor power switch in the motor control mechanism. The contacts of the line shunt relay shunt the selector magnets rather than the signal line. When the motor is de-energized by the electrical motor control mechanism, the line shunt relay is de-energized and its contacts shunt the selector magnets. This automatically sets up the double blank function in the typing unit stunt box and results in the locking up of the keyboard. The following description covers the

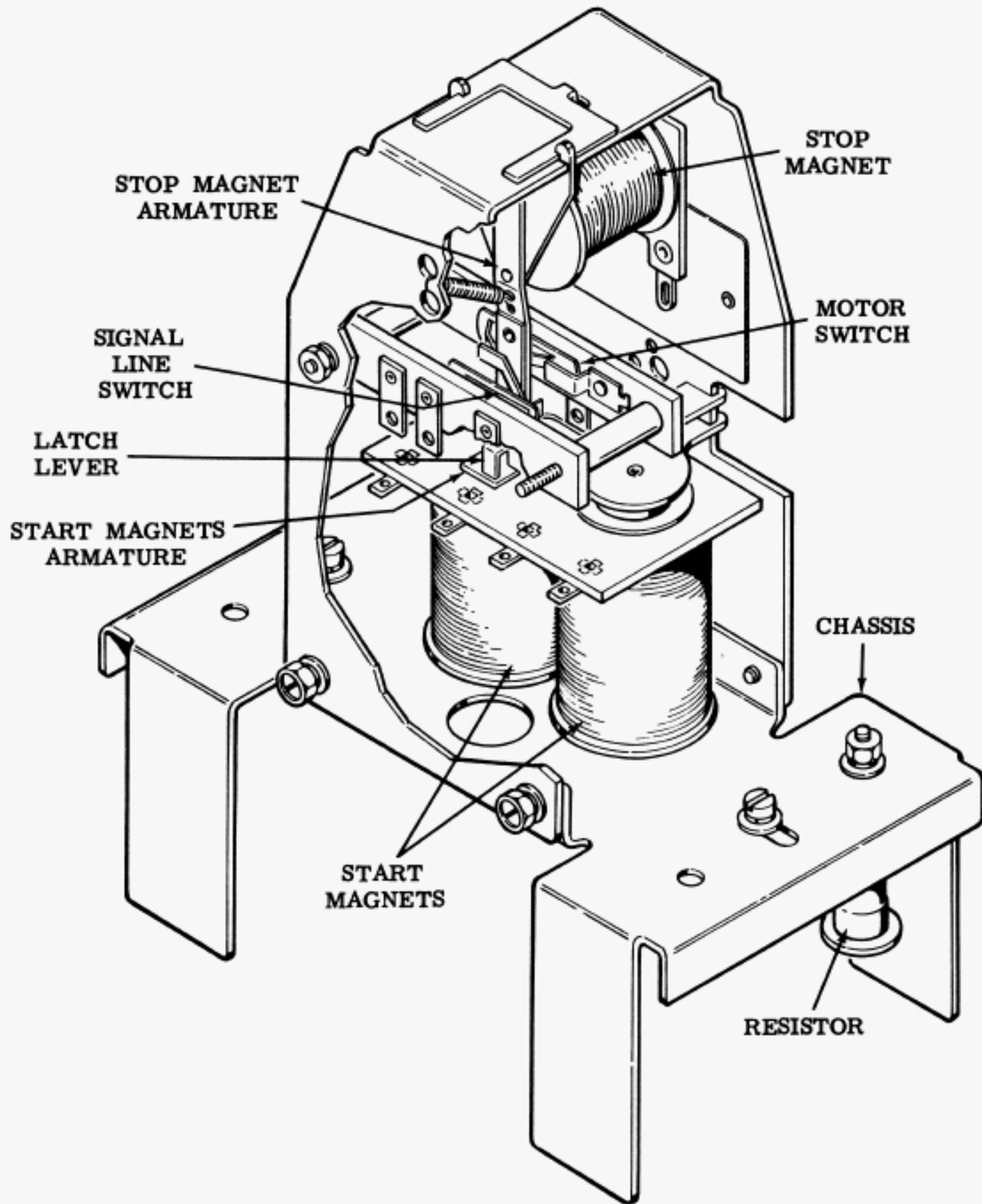


Figure 3 - Electrical Motor Control Mechanism

operation of the electrical motor control mechanism through a complete cycle.

Stop Position

3.14 In this position the motor is shut down, the line shunt relay is de-energized, the selector magnets are shunted, and the constant

signal line current holds the start magnets energized. The start magnet armature is positioned toward the right, where it is held by the latch lever. The motor power switch, operated by the stop magnet armature, is open and the original line switch completes the start magnet circuit.

Open Line Position

3.15 In this position, the signal line is open, the start magnets are de-energized, and the start magnet armature is released. With the release of the start magnet armature, the latch lever is also released, permitting the stop magnet armature to swing toward the left. The movement of the stop magnet armature is blocked, however, by the start magnet armature and is not sufficient to change the positions of the motor power and signal line switches.

Start Position

3.16 In this position, the signal line is closed, and the start magnets have been energized, the start magnet armature moved downward and the stop magnet armature released. The release of the stop magnet armature enabled the motor power and signal line switches to operate. The operated signal line switch shunted the start magnets from the signal line circuit. The operated motor power switch completed the circuit through the line shunt relay, removed the shunt from the selector magnets, and completed the circuit to the motor unit.

Stop Position

3.17 The electrical motor control mechanism will return to the stop position and stop the motor unit when a pulse is received from the control circuit (3.13). The pulse momentarily energizes the stop magnet, causing the stop magnet armature to swing to the right and operate the motor power and signal line switches. The signal line switch places the start magnet coils into the signal line circuit. The start magnet coils are then energized and the start magnet armature is pulled downward. This permits the latch lever to engage the stop magnet and hold it in the stop position. The operated motor power switch opens the circuit through the line shunt relay, shunting the selector magnets and opening the circuit to the motor unit.

SELECTOR MAGNET DRIVER ASSEMBLY

3.18 The selector magnet driver assembly is a solid-state device which repeats the line signals in a form that will effectively operate a selector mechanism. The assembly is normally used in place of the line relay for this equipment. For a detailed description of the selector magnet driver operation, refer to the applicable publications.