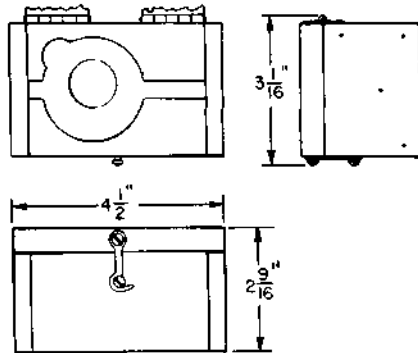


NONCODED TOOLS  
CARRYING CASES  
DESCRIPTION

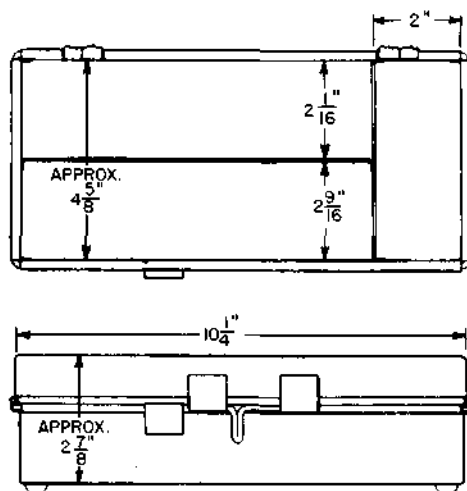
CASE, CARRYING, NO. 13A



A black finished wooden case with a hinged cover held closed by a latch.

For housing and carrying the No. 121A gauge.

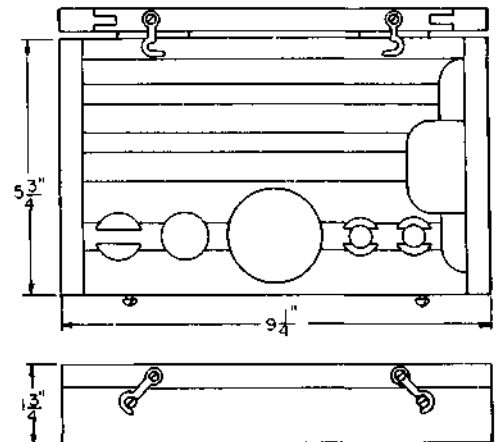
CASE, CARRYING, NO. 14A



A black finished sheet metal case with a hinged cover held closed by a latch. The interior is divided into 3 compartments.

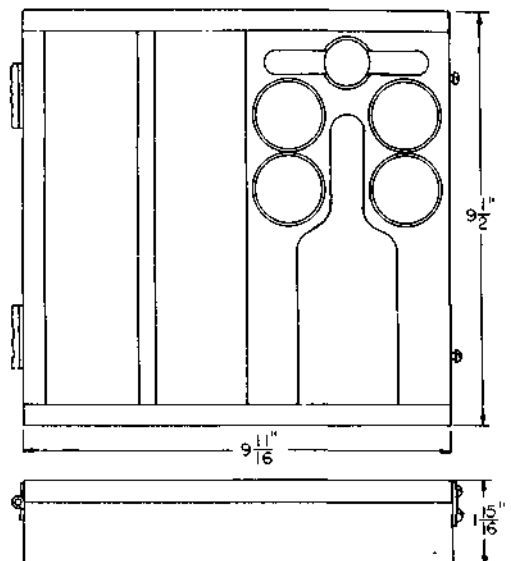
For housing and carrying multiple marking tools and materials.

CASE, CARRYING, NO. 15A



A black finished wooden case with a hinge cover held closed by a latch. Part of the No. 1000A tool kit and used for housing the tools of that kit.

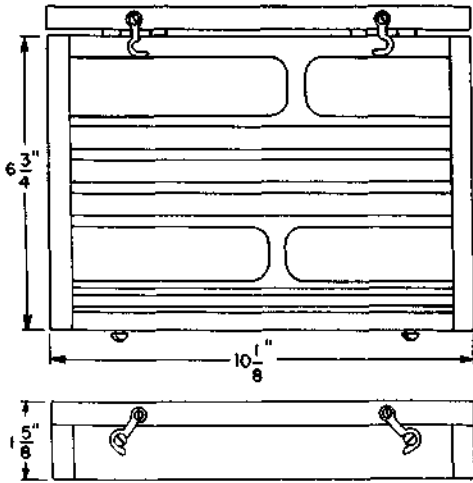
CASE, CARRYING, NO. 16A



**SECTION 074-560-101**

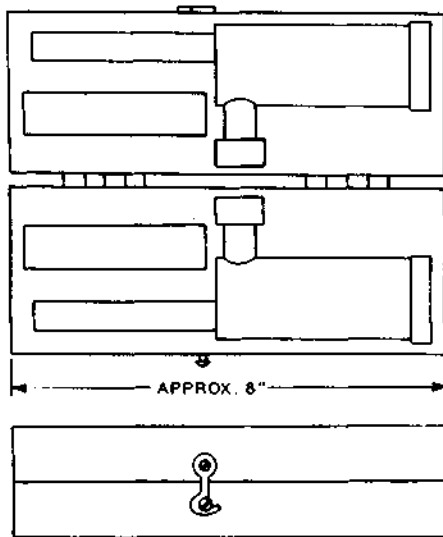
A black finished wooden case with a hinged cover held closed by a latch. Part of the No. 1001A tool kit and used for housing tools and gauges of that kit.

**CASE, CARRYING, NO. 17A**



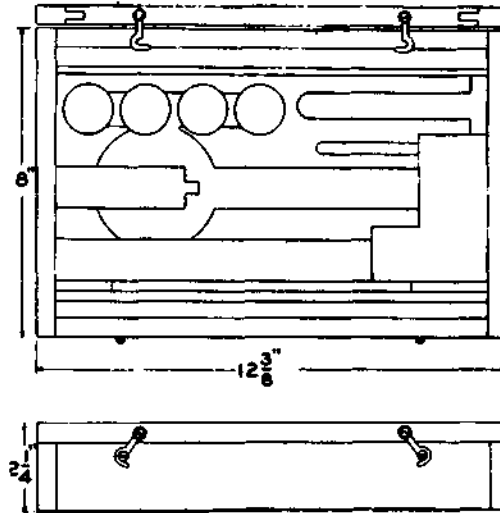
A black finished wooden case with a hinged cover held closed by a latch. Part of the No. 1002A tool kit and used for housing the tools of that kit.

**CASE, CARRYING, NO. 18A**



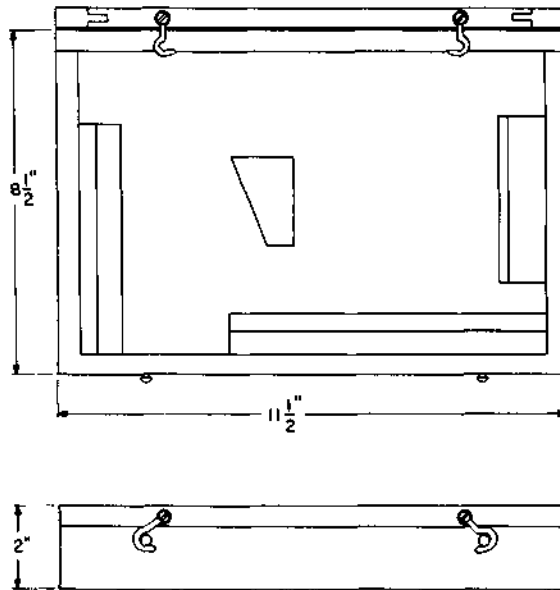
A black finished wooden case with a hinged cover held closed by a latch. Part of the No. 1003A tool kit and used for housing the tools of that kit.

**CASE, CARRYING, NO. 19A**



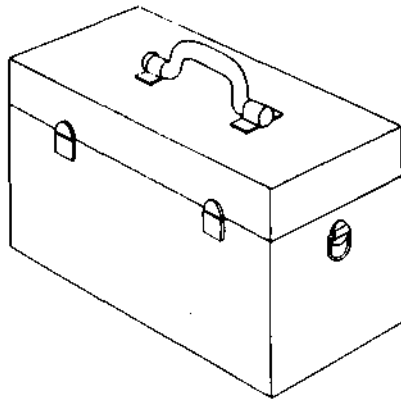
A gray finished wooden case with a hinged cover held closed by a latch. Part of the No. 1012A tool kit and used for housing the tools of that kit.

**CASE, CARRYING, 20A**



A gray finished wooden case with a hinged cover held closed by a latch. Part of the No. 1014A tool kit and used for housing the tools of that kit.

CASE, CARRYING, KS-5672 (specify list No.)

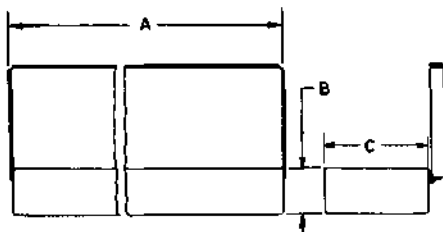


List No.	Used for Carrying
1	Amplifiers
2	Automatic Regulators
3	Two-Circuit Manual Gain Control Unit
4	No. 6077A Test Set

These are wood-lined, black vulcanized fibre cases with hinged covers and wooden interior compartments mounted on shock absorbent pads. Each case includes a canvas adjustable shoulder strap.

For use in carrying plug-in units of Type L1 carrier system.

CASE, CARRYING, KS-6526  
 CASE, CARRYING, KS-8349



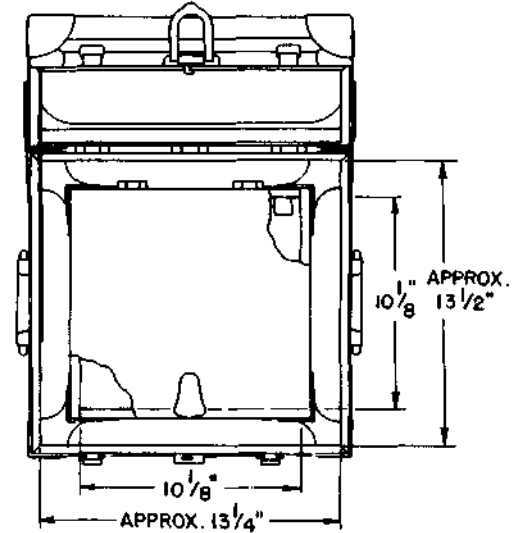
Case Dim.	"A"	"B"	"C"
KS-6526	5-1/2"	7/16"	1-3/4"
KS-8349	7-5/8"	15/16"	2-5/16"

Metal cases with a black finish

KS-6526 is for housing and carrying gauges for 207- and 213-type relays.

KS-8349 is for carrying clutch gauges.

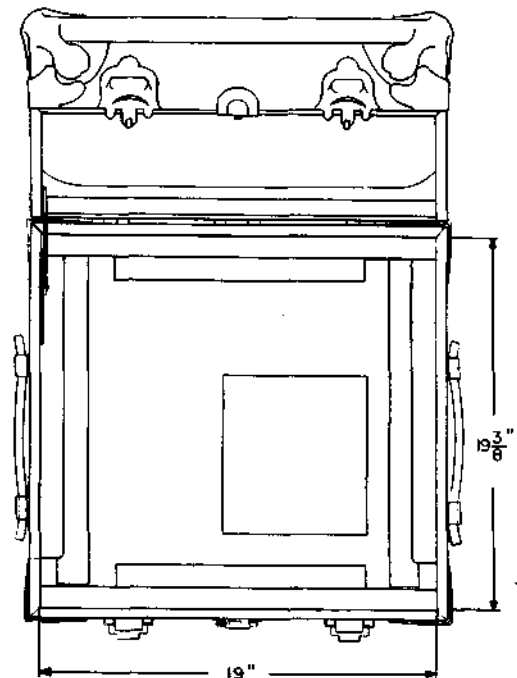
CASE, CARRYING, KS-14131



Consists of an inner case in an outer case with shock absorbent padding between the cases. Both cases have wood frames covered with black vulcanized fibre, and hinged lids. The key to the lock on the outside lid of all KS-14131 Carrying Cases, now manufactured, is the same as that used KS-14253 Carrying Cases.

For use, in conjunction with a No. 649A tool, for transporting an AMA KS-13882 perforator between a central office and a maintenance center. The No. 649A tool must be ordered separately.

CASE, CARRYING, KS-14253

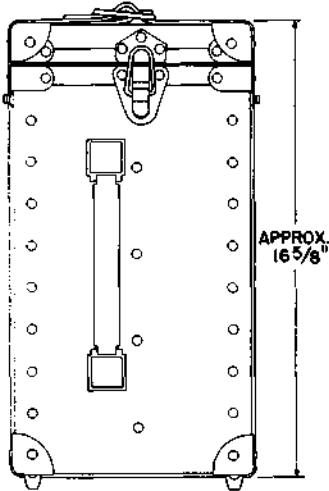
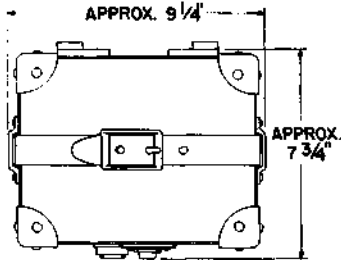


SECTION 074-560-101

Consists of a wooden frame covered with black vulcanized fibre. The key for the lock on the cover unlocks all KS-14253 cases.

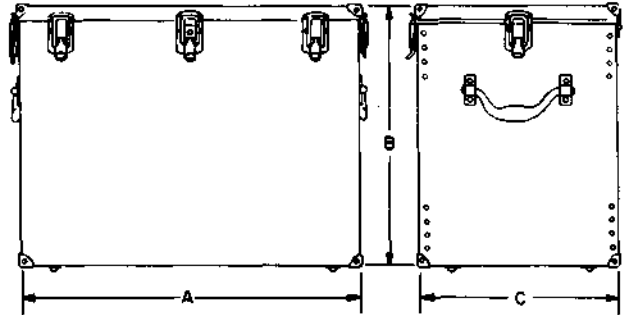
For transporting an AMA KS-13835 reader between a central office and a maintenance center.

CASE, CARRYING, KS-14763



Consists of a vulcanized fibre covered wooden case having a carrying handle and a removable cover. A KS-16157-L1 Strap is provided. The carrying case is part of the No. 1004B tool kit and is used for housing the tools of that kit.

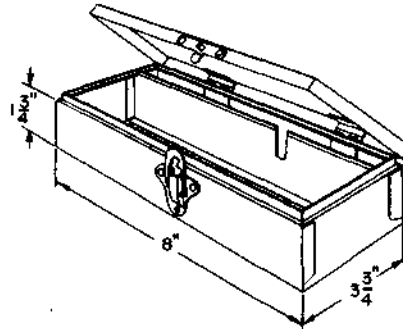
CASE, CARRYING, KS-16811, L1  
CASE, CARRYING, KS-16811, L2



Case Dimensions	"A"	"B"	"C"
KS-16811, L1	30-3/16"	23"	22-1/4"
KS-16811, L2	24-1/4"	18-1/4"	14-1/4"

KS-16811, L1 is for use as a transporting container for the KS-14776 Camera.  
KS-16811, L2 is for use as a transporting container for the associated cords used with portable traffic usage recorder equipment.

CASE, CARRYING, R-2513



A metal case finished in olive green enamel.

For housing and carrying tools and gauges for adjusting apparatus in the crossbar system.