

## LUBRICATORS DESCRIPTION TOOLS

### 1. GENERAL

**1.01** This document describes coded, noncoded, and commercial lubricating tools.

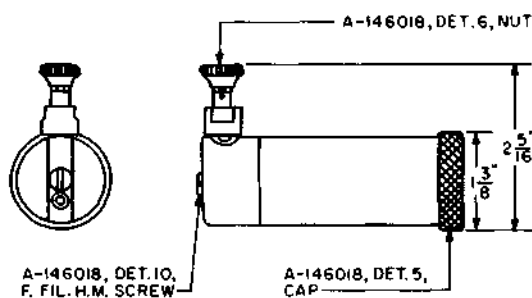
**1.02** Revision arrows are used to emphasize significant changes. The reason for reissue is to rate the KS-14642 oiler Mfr Disc.

**1.03** For other lubricating tools, see Cans, Document 074-208-105 and Nozzles, Document 074-241-130.

### 2. DESCRIPTION OF TOOLS

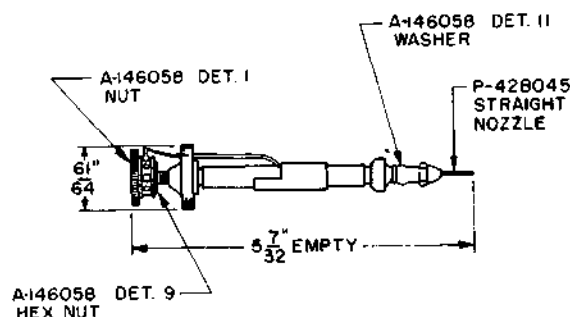
#### A. Coded Tools

**2.01 353C Grease Gun:** The 353C grease gun (Fig. 1) is designed to discharge grease in definite limited quantities. The 570A straight nozzle or the 571A curved nozzle is required for this tool. This tool makes up part of the 1003A tool kit. The grease gun is intended for general use.



**Fig. 1—353C Grease Gun**

**2.02 401A Oil Gun:** The 401A oil gun (Fig. 2) is designed to discharge oil in definite limited quantities. The P-42B045 straight nozzle is supplied with the oil gun. A P-249511 curved nozzle is available separate and must be specified in the order. The 401A oil gun is intended for general use and is furnished with an A-146059 wooden case.



**Fig. 2—401A Oil Gun**

**2.03 431A Oil Gun:** The 431A oil gun (Fig. 3) is designed to discharge oil in definite limited quantities. A wooden carrying case, one curved nozzle, and one straight nozzle are furnished with the oil gun. The 431A oil gun is intended for general use and replaces the 297, 362A, and 362B tools.

**2.04 552A Oil Gun:** The 552A oil gun (Fig. 4) is intended for use on the 1-type timers and reciprocating bar interrupters.

#### B. Noncoded Tools

**2.05 KS-7461 Grease Gun:** The KS-7461 grease gun is rated Mfr Disc. The replacement is the KS-14796 oiler.

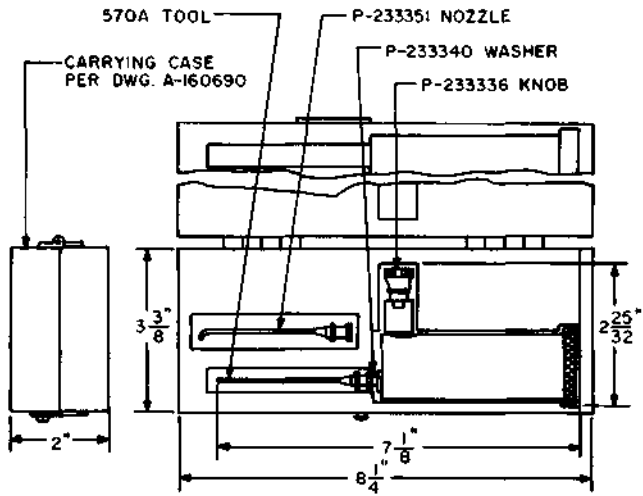


Fig. 3—431A Oil Gun

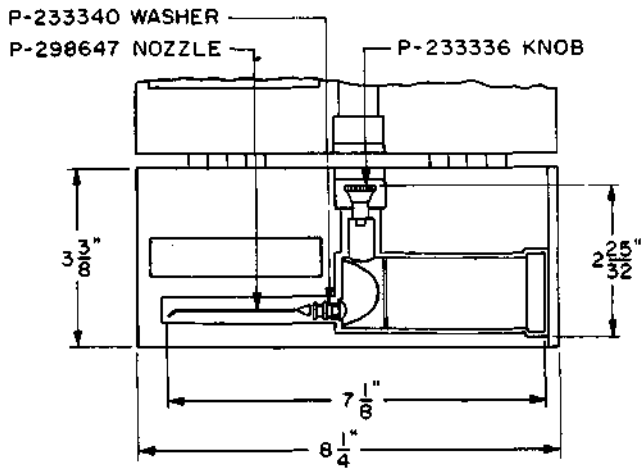


Fig. 4—552A Oil Gun

2.06 **KS-7666 (486A) Oil Can:** The KS-7666 (486A) oil can (Fig. 5) is intended for general use.

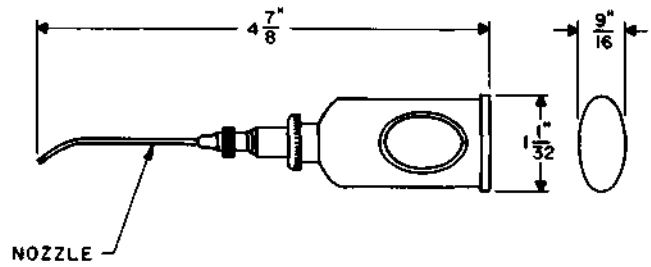


Fig. 5—KS-7666 (486A) Oil Can

2.07 **KS-8319 Grease Gun:** The KS-8319 grease gun is replaced by the KS-14796 oiler.

2.08 **KS-14642 Oiler:** The KS-14642 oiler is rated Mfr Disc. with no replacement.

2.09 **KS-14796 Oiler:** The KS-14796 oiler (Fig. 6) is a pump-type oil can designed to produce either a measured quantity or a small steady stream of light oil (6-ounce capacity). The KS-14796 is intended for general use and replaces the KS-8239, L1, oil can.

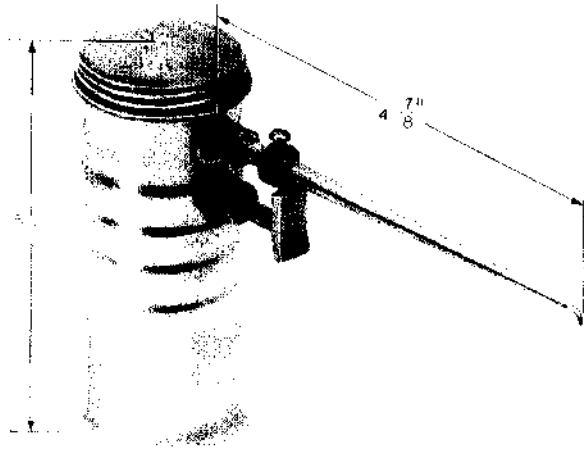


Fig. 6—KS-14796 Oiler

C. Commercial Lubricating Tools

2.10 *Lincoln Engineering Company, 5958*

**Grease Gun:** The 5958 grease gun (Fig. 7) is a general use push-type, having a capacity of 5-ounces and a maximum pressure of 5000 pounds. The nozzle, furnished on the gun, fits either pin-type or zerk-type grease fittings, but does not clamp onto the fitting. Table A shows nozzles and hoses which must be ordered separately to adapt the 5958 grease gun to different fittings. The 5958 grease gun and the 3040 hand gun hose replace the 5950 grease gun and the 3030 hand gun hose.

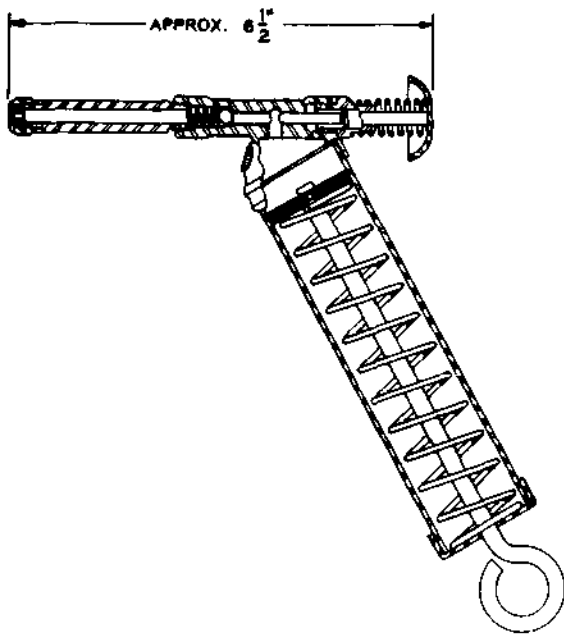


Fig. 7—5958 Grease Gun, Lincoln Engineering Company

| TABLE A                              |   |          |
|--------------------------------------|---|----------|
| HOSES OR NOZZLES FOR 5958 GREASE GUN |   |          |
| HOSE OR NOZZLE                       | ADAPTABLE FITTING                           | FIG. NO. |
| 3040 Hand Gun Hose                   | Pin-type fitting                            | 8        |
| 5845 Hydraulic Coupler               | “Zerk”-type                                 | 9        |
| Z-737 ALEMITE* Nozzle                | ALEMITE flush-type lubricating fitting 1853 | 10       |

\*Registered trademark of Stewart-Warner Corporation

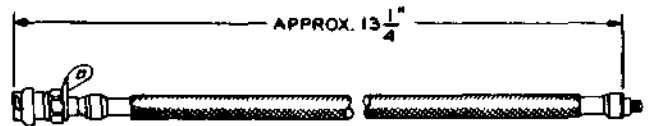


Fig. 8—3040 Hand Gun Hose

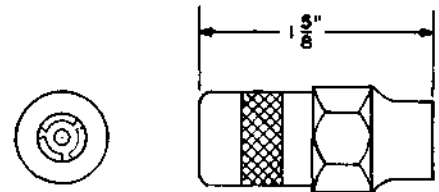


Fig. 9—5845 Hydraulic Coupler

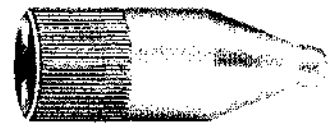


Fig. 10—Z-737 ALEMITE Nozzle

**2.11 Plews Oiler Company, 1604, 1704, 1706, 1806, and 1909 Bench Oilers:** Table B shows the bench oilers that are available from the Gem Division of the Plews Oiler Company. These are general use-type bench oilers. The 1603 bench oiler is replaced by the 1604 bench oiler. The 210C engineer's filler is replaced by the R-2561 oil can.

| <b>TABLE B</b>      |                          |                     |                   |                       |
|---------------------|--------------------------|---------------------|-------------------|-----------------------|
| <b>BENCH OILERS</b> |                          |                     |                   |                       |
| <b>PART NO.</b>     | <b>CAPACITY IN PINTS</b> | <b>SPOUT LENGTH</b> | <b>BASE DIAM.</b> | <b>OVERALL HEIGHT</b> |
| 1604                | 1/3                      | 4" Straight         | 3-1/4"            | 5-5/8"                |
| 1704                | 1/2                      | 4" Straight         | 3-3/4"            | 6-1/4"                |
| 1706                | 1/2                      | 6" Bent             | 3-3/4"            | 8-1/4"                |
| 1806                | 3/4                      | 6" Bent             | 4"                | 8-1/2"                |
| 1909                | 1                        | 9" Bent             | 4-7/16"           | 12"                   |