

TOOL

GLASS, READING - DESCRIPTION

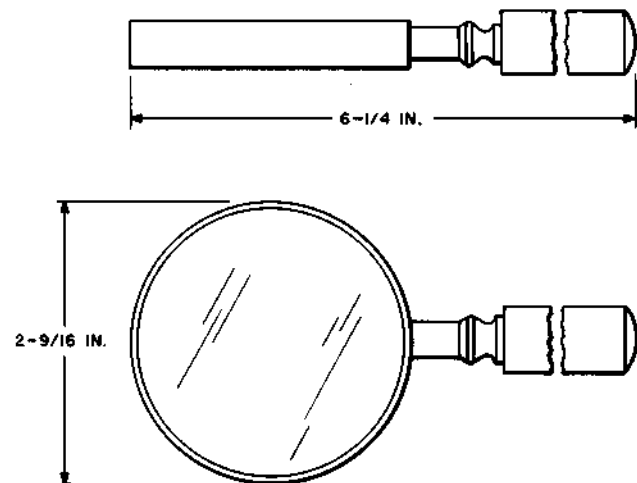
1. GENERAL

1.01 This section covers a noncoded Bell System reading glass.

1.02 When this section is reissued, the reason for reissue will be listed in this paragraph.

1.03 The information contained in this section supersedes the corresponding information in Section 074-635-101.

KS-2632



For general use.

NOTICE

Not for use or disclosure outside the
Bell System except under written agreement