

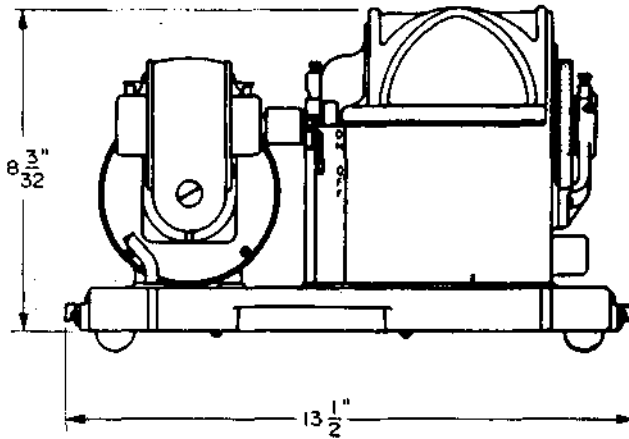
TOOLS

CLEANERS II - DESCRIPTION

1. GENERAL

- 1.01 This section covers coded and noncoded Bell System cleaner tools.
- 1.02 When this section is reissued, the reason for reissue will be listed in this paragraph.
- 1.03 The information contained in this section supersedes the corresponding information in Sections 074-125-101, 074-126-101, 074-127-101, 074-132-101, 074-575-101, and 074-580-101.
- 1.04 See tool index for other Cleaner practices.

497A

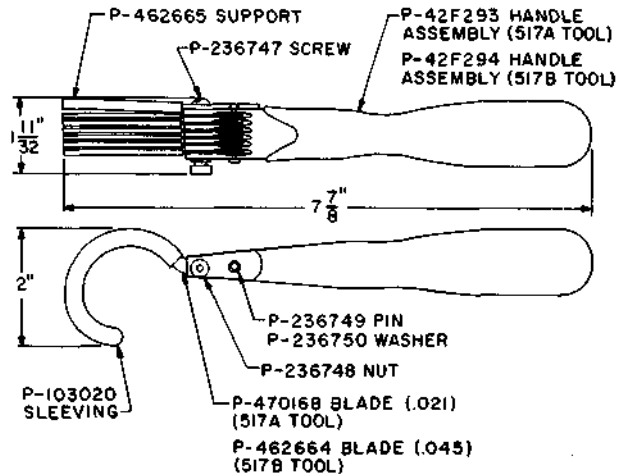


Plug cleaner. The 497A tool is for ac operation. Intended for use in cleaning plugs at telephone switchboards. The 498A, 498B, and 498C tools are required for use with this plug cleaner.

497B

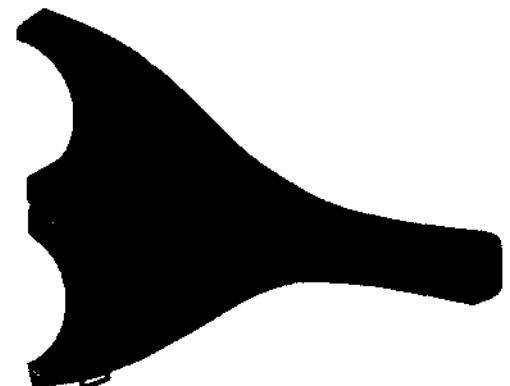
MFR DISC

517A
517B



Bank contact cleaners. The blades and support of the 402E tool may be used in the handle of the 517A tool. The 517A tool replaces the 402D tool and is used in cleaning the contacts of 200-point banks of 197-type switches. The 517B tool is used in cleaning the contacts of 100-point banks of 197-type switches and 40-point banks of 198-type switches.

584A



NOTICE

Not for use or disclosure outside the Bell System except under written agreement

584A (CONT)

Cork roll cleaner 9-3/4 inches high by 6-1/4 inches wide by 29/32-inches thick. Order separately: tape, cotton, 1 inch by 18 yard roll, AT-6684. For use in cleaning cork rolls of friction roll drives.

CLEANER, CONTACT, BANK, AECO H-16590, DET. 1

Replaced by Bank Cleaning Tool, AECO H-16590, Det. 1.

CLEANER, CONTACT, BANK, KS-6669

Replaced by the 479A tool.

CLEANER, FILE, R-1446

A flat wire bristle brush 2-1/2 inches by 5 inches with a wire handle. A tapered steel pick is furnished with the brush. For use on the 527A tool.

CLEANER, TUBE, ED-60599-70

Replaces ticket chaser ES-296180. For use on pneumatic ticket distributing system.

CLEANER, VACUUM KS-8389

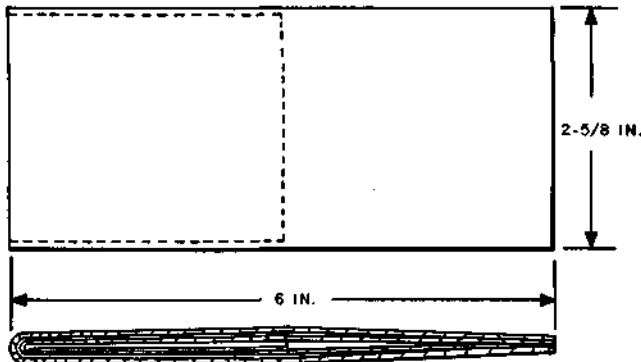
Replaced by vacuum cleaner, KS-14377 L1 and L2, and KS-14410 L1.

CLEANERS, VACUUM, KS-14377 L1 & L2

Replaced by vacuum cleaners KS-14377 L3 and L4.

CLEANERS, VACUUM, KS-14377 L3 & L4 MFR DISC

Replaced by vacuum cleaners KS-14377 L5 and L6.



CLEANERS, VACUUM, KS-14377 L5 & L6

(Order hose and attachments desired by list numbers given below.)



Heavy duty portable upright tank-type vacuum cleaners. L5 cleaner is standard type cleaner, designed to use paper filters. L6 cleaner is similar to L5 except for motor refinements which result in quieter operation. It is recommended for locations where noise must be kept to minimum. Pamphlet 6013 supplied with Conversion Kit L25 gives information for converting L1 and L2 cleaners for use with paper filters. The cleaners are approximately 10 inches in diameter, 18-1/2 inches high, exclusive of handle, and weigh without attachments approximately 23 pounds. May be mounted on a rolling ladder by using 32B ladder bracket. Equipped with a three-wire 25-foot long KS-14377 L31 power cord. For piece-part and replacement data, see Section 075-180-803. For requirements and adjustments, see Section 075-180-703. For general use.

Hose, attachments, carriage, and carton of paper filters must be ordered separately in accordance with ordering information below. Attachment end of KS-14377 L11 and L12 hose accommodates standard tools and fittings used with former cleaners, including 454A and 455A tools and KS-2629 and KS-2852 attachments. When hose is equipped with KS-14410 L21 adapter, KS-14410 L12 to L20 attachments, inclusive, may also be used. KS-14377 attachments are for general use except for L14 and L15 which have special uses stated under illustration.

When ordering hose, cleaning attachments, or carriage, use wording below.

Assembly, Filter, KS-14377 L26 (not illustrated) includes:

Filter, Cambric, Felt, KS-14377 L27 (not illustrated)

Gasket, Rubber, KS-14377 L28

Ring, Aluminum, KS-14377 L29

Brush, Detachable, KS-14377 L22

Brush and Holder, Radiator, KS-14377 L17

Brush and Holder, Round, KS-14377 L23

Brush, Swivel, KS-14377 L16

Carriage, KS-14377 L10

Carton of Paper Filters, KS-14377 L24 (not illustrated)

Hose, KS-14377 L11

Hose, KS-14377 L12

Kit, Conversion, KS-14377 L25 (for converting L1 and L2 to L3 and L4) (not illustrated)

Nozzle, KS-14377 L15

Nozzle, Crevice, KS-14377 L13

Nozzle, Crevice, KS-14377 L14

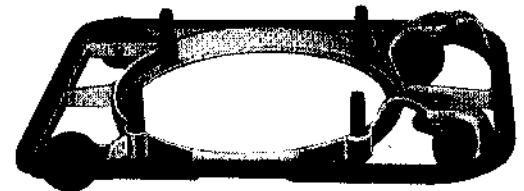
Nozzle, Floor, Swivel, KS-14377 L20

Nozzle, Rubber, Flexible, KS-14377 L30

Nozzle, Upholstery, KS-14377 L21

Tube, Fiber, KS-14377 L18

Tube, Fiber, Curved, KS-14377 L19



KS-14377 L10 Carriage



KS-14377 L11 (8-foot) Hose

CLEANERS, VACUUM, KS-14377 L5 & L6 (CONT)



KS-14377 L12 (Extensible) Hose

The L12 hose is extensible from about 4 feet long collapsed to about 10 feet long extended.



KS-14377 L13
Crevice Nozzle



KS-14377 L14
Crevice Nozzle

The L14 crevice nozzle is for use on panel multiple banks.

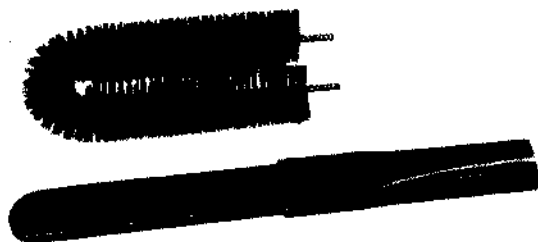


KS-14377 L15
Nozzle



KS-14377 L16
(5") Swivel Brush

The L15 nozzle is for use on sequence switches and 157-type interrupters.



KS-14377 L17 Radiator Brush and Holder

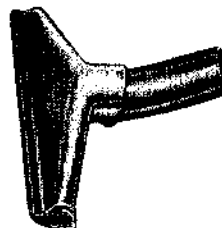
Replaceable brush may be ordered separately as "filler for KS-14377 L17 radiator brush and holder"



KS-14377 L18 (36-ounce) Fiber Tube



KS-14377 L19 Curved Fiber Tube



KS-14377 L20 (12") Swivel Floor Nozzle

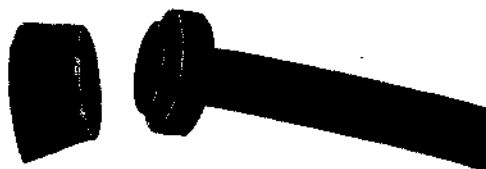


KS-14377 L21
(5") Upholstery
Nozzle



KS-14377 L22
(6") Detachable
Brush

The L22 brush fits the L21 nozzle.



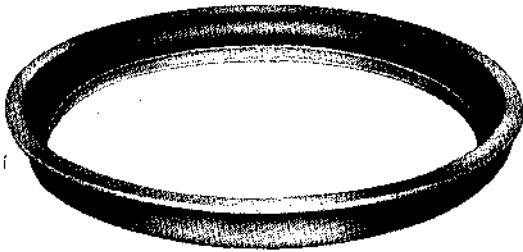
KS-14377 L23 Round Brush and Holder

Replaceable brush may be ordered separately as "filler for KS-14377 L23 round brush and holder."

CLEANERS, VACUUM, KS-14377 L5 & L6 (CONT)



KS-14377 L28 Rubber Gasket



KS-14377 L29 Aluminum Ring



KS-14377 L30 Flexible Rubber Nozzle

CLEANER, VACUUM, KS-14410 L1 MFR DISC

Replaced by vacuum cleaner KS-14410 L2.
