

REPLACING CONTACTS
USING THE 1004A, 1004B, AND 1013A TOOL KITS
GENERAL

CONTENTS	PAGE	CONTENTS	PAGE
1. GENERAL	1	OF 636A TOOL)	15
2. DESCRIPTION OF CONTACT WELDERS AND ASSOCIATED EQUIPMENT	4	1. GENERAL	
1004A AND 1004B TOOL KITS	4	1.01 This section covers general information on contact welding with the 1004A (Manufacture Discontinued), 1004B, and 1013A tool kits. It describes the tools and materials used in welding contacts and covers information necessary for the maintenance and preparation of the tools. This section also covers information necessary for ordering replacement contacts and guides, electrodes, and parts used in the maintenance of the 577A, 577B, and 636A welding pliers.	
A. General	4	1.02 The reasons for reissuing this section are listed below. Revision arrows are used to emphasize the more significant changes. The Equipment Test List is not affected.	
B. 102A and 102B Current-Supply Sets	4	(1) To add 841068778 channel-type contact	
C. 577A and 577B Welding Pliers	4	(2) To revise Tables A and B	
D. Carrying Case	5	(3) To rate the 1004A Tool Kit and the P-10A949 channel-type contact Manufacture Discontinued.	
E. Equipment Furnished With 1004A and 1004B Tool Kits.	6	1.03 The 1004A tool kit may be used for welding contacts on all apparatus listed herein except wire-spring type relays. In this tool kit, the welding plier leads are permanently attached to the 102A current supply set. The 1004B tool kit is similar to the 1004A tool kit, except that the 102B current supply set in this kit is provided with terminals to which welding plier leads are connected. This feature permits the use of the 1004B tool kit with different types of welding pliers. Thus, the 1004B tool kit is suitable for all applications of the 1004A and, in addition, can be used in conjunction with	
F. Associated Equipment—Not Furnished With 1004A and 1004B Tool Kits	6		
1013A TOOL KIT	7		
3. LIST OF TOOLS, GAUGES, MATERIALS AND TEST APPARATUS.	3		
4. MAINTENANCE REQUIREMENTS	8		
102A AND 103B CURRENT-SUPPLY SETS	8		
5. REPLACEMENT OF PARTS—WELDING PLIERS AND ASSOCIATED EQUIPMENT	10		
ORDERING INFORMATION	10		
REPLACEMENT PROCEDURES	10		
6. SUBSTITUTION OF STEEL FOR NONMETALLIC BUSHING ON 577D WELDING PLIERS (PART			

NOTICE

Not for use or disclosure outside the
Bell System except under written agreement

SECTION 069-310-801

the 1013A tool kit for welding contacts on wire-spring type relays.

1.04 The procedures for replacing contacts on various types of apparatus are covered in separate sections as follows:

SECTION NUMBER	SUBJECT	NOTES
069-310-801	Replacing Contacts — Using the 1004A, 1004B, and 1013A Tool Kits - General	Includes general figures, description, preparation and maintenance of tools, and ordering information on parts which can be replaced in the field.
069-310-802	Replacing Contacts — Relays (nonwire-spring type), 197-Type Switches, Crossbar Switches, and KS-13835 (AMA) Reader	Includes E-, EA-, H-, R-, T-, U-, UA-, UB-, Y-, 245-, 254-, 263-, 264-, and step-by-step type relays, 197-type step-by-step switches, crossbar switches, and the KS-13835 reader.
069-310-803	Replacing Contacts — Relays (wire-spring type)	Includes AF-, AG-, AJ-, AK-, AL-, AM,— 286-287-, and 288-type relays.
069-310-804	Replacing Contacts - Relays (nonwire-spring type), 197-Type Switches, and KS-13835 (AMA) Reader — Having Unusual Contact Conditions	Covers cases where silver replacement contacts are recommended for use on certain apparatus. It also covers cases where No. 1 metal contacts are recommended where frequent contact opens occur.
069-311-801	Repairing Feeder Brush Tips - 10-, 11-, 26-, 27-, and 32-Type Banks Associated With Rotary Selectors	The 10- and 26-type banks are associated with 200-, 206-, and 209-type selectors; the 32-type bank with 211-type selectors; and the 11- and 27-type banks with 202-, 207-, 208-, and 1202-type power-driven rotary selectors.

1.05 Seven types of contacts are used for contact replacement purposes as covered in these sections. Three of them are bar contacts, two are channel-shaped contacts, and two are furnished as contact tape. Individual contacts (except contact tape) are furnished on plastic holders, the contacts being inserted into slits in the holder. These contacts should be kept on the plastic holders. Contact tape is furnished in corrugated wrappings. The tape should be removed from the wrapping and kept in the container provided for this purpose. The piece-part number, type, and thickness of each contact and the apparatus on which the contact is used are listed in Table A.

1.06 Before replacing contacts on the apparatus herein, remove the circuit from service in accordance with approved procedures. In order to

prevent adverse service reactions, in some cases, it may be necessary to remove associated circuits from service or to isolate the springs on which contacts are to be replaced.

1.07 Before attempting to weld contacts on working apparatus, it may be advantageous to practice work on spare apparatus if available.<

Warning 1: It is important that the following precautions be observed to prevent burning of the electrodes of welding pliers. When the 577A or 577B welding pliers are equipped with a No. 10, 11, or 12 fixed electrode, do not leave the tool without a guide in place. When these welding pliers are equipped with a No. 13 fixed

TABLE A
CONTACTS FOR REPLACEMENT PURPOSES

	TYPE OF CONTACT AND THICKNESS	APPARATUS ON WHICH USED
P-16A189 (Replaces P-4798608 and P-485120.) (See Note 1)	Bar contact, 0.020 inch (palladium bar with nickel base)	Crossbar switches, KS-13835 (AMA) reader, and nonwire-spring type relays except relays and other apparatus as covered in Section 069-310-804.
P-15A847	Bar contact, 0.020 inch (No. 1 metal)	10-, 11-, 26-, 27-, and 32-type bank feeder brush tips. Also certain appara- tus having frequent contact opens as covered in Section 069-310-804.
P-16A222	Bar contact, 0.020 inch (silver bar with nickel base)	Used as a negatively poled contact with a mating palladium contact on certain apparatus as covered in Section 069-310-804.
P-10A949 (MD)	Channel-type contact, each side 0.012 inch (palladium)	AF-, AG-, A J-, AK-, AL- and AM-type wire-spring relays (fixed springs).
P-19A353	Channel-type contact, contact side 0.026 inch thick (0.012-inch palladium on 0.014-inch copper nickel base)	286-, 287-, and 288-type multicontact wire-spring relays (fixed springs).
P-16A180	Contact tape, 0.009 inch thick by 3 inches long (palladium with 0.001-inch gold overlay)	AF-, AG-, AJ-, AK-, AL- and AM-type wire-spring relays and 286-, 287-, and 288-type multicontact wire-spring relays equipped with 0.010-inch contacts and on 286-, 287-, and 288-type multi-contact wire-spring relays equipped with 0.015- inch silver contacts (twin springs).
840054787	Contact tape 0.025 inch thick by 3 inches long (0.015-inch base and a 0.009-inch thick palladium with a 0.001-inch gold overlay)	286-, 287-, and 288-type multicontact relays equipped with 0.025-inch silver contacts (twin springs).
• 841068778 Replaces P-10A949 (See Note 2)	Channel-type contact, each side 0.012 inch (palladium-nickel alloy)	AF-, AG-, AJ-, AK-, AL- and AM-type wire-spring relays (fixed springs)

Note 1: The P-478608 contact for general use and the P458120 contact for use on UB relays are entirely replaced by the P-16A189 contact. However, stocks of the former contacts may be used except on brass springs where the P-16A189 contact must be used in all cases.

Note 2: The 841068778 (palladium-nickel alloy) contact replacing the P-10A949 (palladium) contact offers substantial life improvement in cases of contact erosion.

electrode, exercise extreme care that the current-supply control button is never operated when the electrodes are in contact with each other. Take the following precaution when the 636A tool, consisting of the 577C and 577D welding pliers, is connected to the current-supply set. When the 577C pliers are not in use, make sure that the electrode which holds the contacts is held by the latch. When the 577D pliers are not in use,

make sure the jaws are held open by the lock.

Warning 2: *The 840056584 electrode will only be used with the 840054787 multicontact tape, and P-16A180 tape will only be used with the P-10A887 electrode. Failure to observe these rules will result in damage to the welding pliers. The slot depth in the P-10A887 electrode is 0.006 inches*

and in the 840056584 electrode is 0.021 inches.

1.08 **Substitution of Steel for Nonmetallic Bushing on 577D Welding Pliers (Part of 636A Tool):** If the 577D welding pliers are equipped with a nonmetallic bushing for the movable handle stop, replace it with a steel bushing and associated larger diameter spring. Make this replacement as soon as practicable in order to insure continued reliable operation of the welding pliers. Ordering information for the steel bushing and associated spring is given in Fig. 7 and procedures for replacing these parts are covered in Part 6.

2. DESCRIPTION OF CONTACT WELDERS AND ASSOCIATED EQUIPMENT

1004A (MD) AND 1004B TOOL KITS

A. General

2.01 The 1004A and 1004B tool kits each consist of a current-supply set, welding pliers, contact stripping pliers, and other equipment described in this section. In the 1004A tool kit, the leads of the 577A welding pliers are permanently connected to the terminals of the welding transformer in the 102A current-supply set. In the 1004B tool kit shown in Fig. 1, the welding transformer of the 102B current-supply set has gold-plated terminals to which are connected the gold-plated terminal lugs on the leads of the 577B welding pliers. This arrangement provides a reliable, low-resistance connection between the transformer and welding pliers and permits the use of different types of welding pliers having leads with gold-plated terminal lugs.

B. 102A and 102B Current-Support Sets

2.02 These sets are similar except for the welding plier connections noted in 2.01. The circuit of the current-supply sets is shown in Fig. 2. In addition to the welding transformer, this circuit contains an auxiliary transformer and rectifier which provide direct current at the proper voltage for operating the power and time-control relays. Both current-supply sets are equipped with a cord for connection to a 105/125-volt, 50/60-cycle ac power supply. They also have a second cord with a control button which, when depressed, causes the circuit to function and apply the proper welding

current through the electrodes of the welding pliers for a predetermined interval. A 10-ampere plug-type fuse is connected in the circuit to the primary winding of the transformer. Access to this fuse is obtained by removing the current-supply set from its carrying case.

2.03 Referring to Fig. 2, when the power cord is connected to the proper supply and the control button is depressed, the circuit is closed through the auxiliary transformer and rectifier to operate the power relay. Operation of this relay closes the circuit to the welding transformer which supplies a high current at low voltage to weld the contact to the spring. The operation of the power relay also closes the circuit to operate the time-control (U type) relay. This relay is a slow-operate relay, and the welding current is connected to the electrodes only during the short time required for the relay to operate. Operation of the time-control relay opens the circuit of the power relay which releases, thereby opening the circuit to the welding transformer and cutting off the welding current. The time-control relay locks operated through its make contacts and the control button circuit, thereby preventing reoperation of the power relay if the control button is held depressed. Release of the control button returns the circuit to normal.

C. 577A and 577B Welding Pliers

2.04 These welding pliers shown in Fig. 3 are similar, except the leads of the 577A pliers are permanently attached to the 102A current-supply set of the 1004A tool kit while the leads of the 577B pliers can be disconnected from the 102B current-supply set of the 1004B tool kit. The welding pliers are arranged to hold one fixed and one movable electrode. Different combinations of fixed and movable electrodes are required for welding contacts on various apparatus as covered in Part 5 of this section. The welding pliers are furnished with one No. 20 movable electrode and one No. 11 fixed electrode.

2.05 The welding pliers are adjusted during manufacture to provide the proper welding pressure to the contact. If the pliers are equipped with the steel bushing referred to in 1.09, the pressure is not expected to change during the life of the pliers.

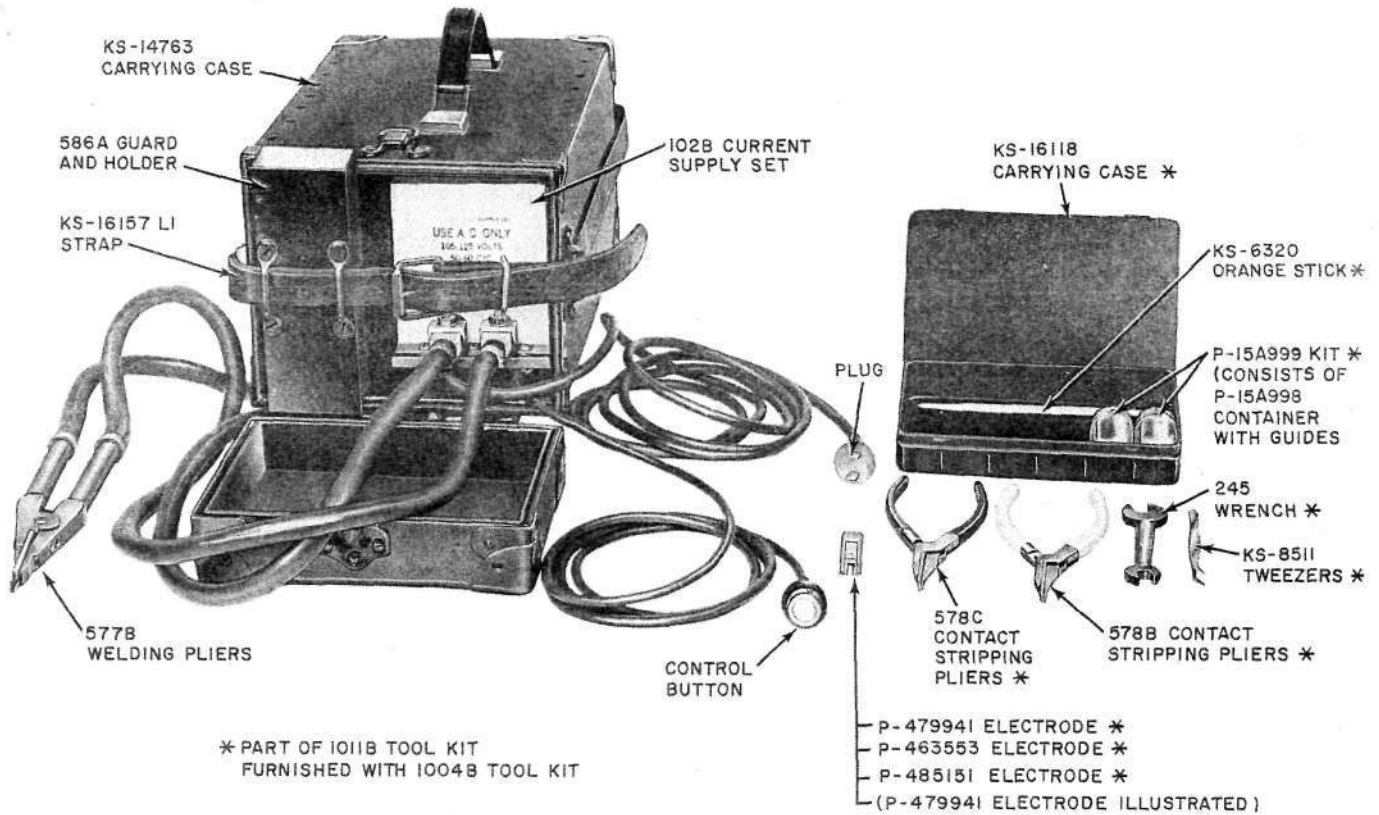


Fig. 1—1004B Tool Kit

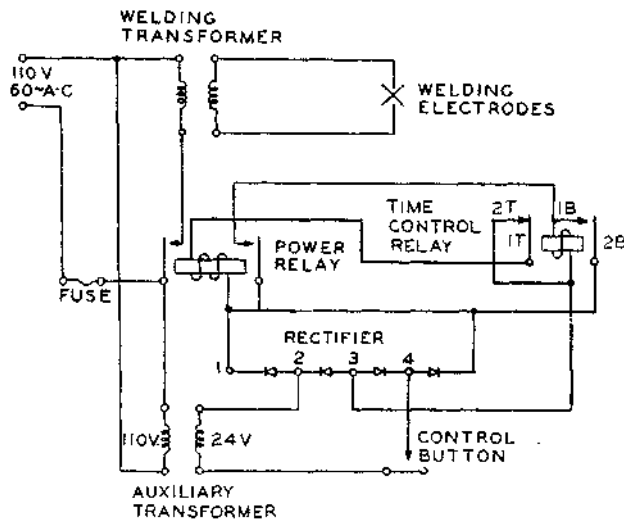


Fig. 2—Contact Welder Circuit

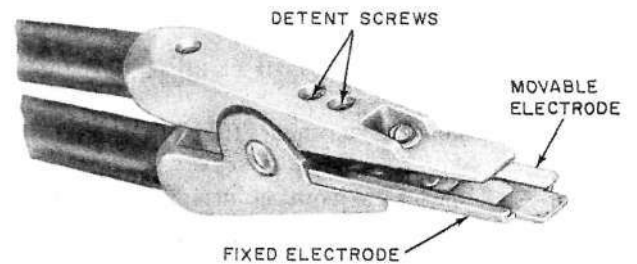


Fig. 3—577A and 577B Welding Pliers

D. Carrying Case

2.06 The KS-9715 carrying case is furnished with the 1004A tool kit and the KS-14763 carrying case with the 1004B tool kit to house the current-supply set and the tools of the respective kits. The carrying cases are similar except the KS-14763 carrying case is longer than the KS-9715 to provide for the added length of the terminals of the 102B

SECTION 069-310-801

current-supply set and the terminal lugs of the 577B welding pliers.

E. Equipment Furnished With 1004A and 1004B Tool Kits

2.07 The items listed below are furnished as part of the 1004A and 1004B tool kits. The use of a number of these items is described briefly following the listing of the item or in the paragraph noted after the listing.

One—586A tool (guard and holder for 577A or 577B welding pliers)

Four-P-125209 RHM screws (used for holding the 102A or 102B current-supply set in the KS-9715 or KS-14763 carrying case, respectively)

Four-P-283106 washers (used for holding the 102A or 102B current-supply set in the KS-9715 or KS-14763 carrying case, respectively)

One-1011A tool kit (1004A tool kit) or 1011B tool kit (1004B tool kit) containing the following items:

One-KS-16157 L2 strap (1004A tool kit)

One-KS-16157 L1 strap (1004B tool kit)

One-245 wrench (1011B tool kit)

One—578B contact stripping pliers (See 2.08.)

One—578C contact stripping pliers (See 2.09.)

Four—KS-6320 orange sticks

One—KS-8511 tweezers

One-P-479941 No. 10 electrode

One-P-463553 No. 12 electrode

One-P-485151 No. 21 electrode

Two-P-479942 kits (1011A tool kit) each consisting of one P-478852 box containing

all guides listed in Table B except the R, S, T, U, V, W, X, AA, and BB guides.

Two-P-15A999 kits (**1011B** tool kit) each consisting of one P-15A998 container with all guides listed in Table B except the R, S, T, U, V, W, X, AA, and BB guides.

One-KS-8349 box (1011A tool kit) or KS-16118 carrying case (1011B tool kit) for holding all items of the respective tool kits

2.08 *578B contact stripping pliers* are used to remove contacts from springs on all apparatus except step-by-step, wire-spring, and multicontact-type relays, crossbar switches, and the control springs of the KS-13835 reader.

2.09 *578C contact stripping pliers* are used for removing contacts from all springs on step-by-step and multicontact-type relays except 229- and 230-type relays. They are also used on offset springs on E-, U-, etc, type relays. For use on certain apparatus, the adjustable stop plate on the notched jaws of these pliers must be positioned as covered in Section 069-310-802.

F. Associated Equipment—Not Furnished With 1004A and 1004B Tool Kits

2.10 The following items must be ordered, when necessary, as they are not furnished as part of the 1004A and 1004B tool kits. The use of these items is described briefly following the listing of the item or in the paragraph noted after the listing.

1013A tool kit (for replacing contacts on wire-spring type relays) (See 2.11.)

578D contact stripping pliers (for removing control contacts on KS-13835 reader)

578G contact stripping pliers (for removing contacts from all springs on 229- and 230-type relays)

578H contact stripping pliers (for removing overhanging contacts from crosspoint springs on 324-, 325-, 328-, 334-, and 338-type crossbar switches)

578J contact stripping pliers (for removing 25 mil silver twin-wire contact on 286- and 287-type multicontact relays)

578K contact stripping pliers (for removing the inner contacts on U- and Y-type relays)

No. 40 flat graver and No. 15 handle (for removing adhesive on the control contact springs of the KS-13835 reader where they are bonded to a fiber strip. The graver is supplied without a handle. Before using the graver, the Dixon No. 15 handle should be assembled on it.)

640A spring spreader (for blocking control contact springs of KS-13835 reader)

179A gauge (guide for cutting worn tips of selector bank feeder brushes)

KS-16060 cutting pliers (for cutting worn tips of selector bank feeder brushes)

395A feeder brush spacer (for holding selector bank feeder brushes while welding contacts)

676A feeder brush spacer (for aligning feeder brushes when replacing selectors on the associated banks)

No. 13 electrode (for repairing selector bank feeder brushes)

No. 14 electrode (replacing contacts on VON springs of 197-type switches)

No. 15 electrode (for replacing contacts on 229- and 230-type relays)

No. 22 electrode (for replacing reading and control contacts on KS-13835 reader and for replacing contacts on VON springs of 197-type switches)

No. 23 electrode (for replacing the inner contacts on U- and Y-type relays)

R guide (for replacing reading contacts on KS-13835 reader)

S and T guides (for replacing contacts on VON springs on 197-type switches)

U, V, W, and X guides (for replacing contacts on 229- and 230-type relays)

AA guide (for replacing contacts on crossbar switches having overhanging contacts)

BB guide (for replacing inner contacts on U- and Y-type relays)

Replacement contacts (See 1.05.)

1013A Tool Kit

2.11 The 1013A tool kit shown in Fig. 4 is used in conjunction with the 1004B tool kit for replacing contacts on wire-spring type relays. The 1013A tool kit consists of the items listed below. The use of a number of these items is described briefly following the listing of the item or in the paragraph noted after the listing.

One—KS-16261 carrying case (for holding all items of the 1013A tool kit)

One-636A tool (See 2.12.)

One—586B guard and holder (for holding 636A tool)

One—KS-16118 carrying case—for holding the following items:

One—P-16A181 container [for holding P-16A180 contacts (twin)]

One—578E contact stripping pliers (See 2.13.)

One—768A armature blocking tool

One—628A balancing spring lifter

One—629A spring holder

One—629B spring holder

One—630A spring holder with detachable clamp

One—638A adjuster

One—638B adjuster

- One—652A spring holder
- One—652B spring holder
- Two—656A insulators
- Two—689A spring holders
- One—KS-14640 contact stripping pliers
(See 2.14.)
- One—KS-14641 contact cutting pliers (See
2.15.)
- One-KS-16735 L1 cutting pliers (See
2.16.)

- One-Electrode, 840056584

2.12 636A Tool: The 636A tool consists of the 577C and 577D welding pliers and associated leads. The 577C welding pliers are used to weld contacts on the fixed contact springs of wire-spring type relays, and the 577D welding pliers are used to weld contacts on the movable twin springs of these relays.

2.13 578E Contact Stripping Pliers: These pliers are used to remove contacts from the movable twin springs of wire-spring type relays.

2.14 KS-14640 Contact Stripping Pliers: These pliers are used to remove contacts from the fixed springs of wire-spring type relays.

2.15 KS-14641 Contact Cutting Pliers: These pliers are used to cut the P-16A180 contact tape after a portion of it has been welded to a movable twin spring of a wire-spring type relay.

2.16 KS-16735 L1 Cutting Pliers: These pliers are used for cutting the end of the fixed contact spring of wire-spring type relays after the contact has been removed to obtain a better alignment between the replacing contact on the fixed spring and the mating contacts on the movable springs.

3. LIST OF TOOLS, GAUGES, MATERIALS, AND TEST APPARATUS

CODE OR SPEC NO.	DESCRIPTION
TOOLS	
768A	Armature blocking tool
KS-2663	File
	3-inch C screwdriver
	4-inch E screwdriver
	Diagonal B pliers
GAUGES	
79B	0-1000 gram push-pull tension gauge
131A	Thickness gauge nest
171A	Thickness gauge nest
KS-6938	Thickness gauge nest
R-8550	Scale
MATERIALS	
KS-6824	Sealing compound
	Bell seal bond paper (or equivalent)
TEST APPARATUS	
35 type	Test set
	Weston Model 931 voltmeter (scale 300/150/75/30V) (or equivalent)

4. MAINTENANCE REQUIREMENTS

102A and 102B Current-Supply Sets

4.01 General: When necessary to check or readjust relays in the 102A and 102B current-supply sets, make sure the set is disconnected from the power supply. Remove the current-supply set from its carrying case by removing the mounting screws from the bottom of the case with the 4-inch E screwdriver.

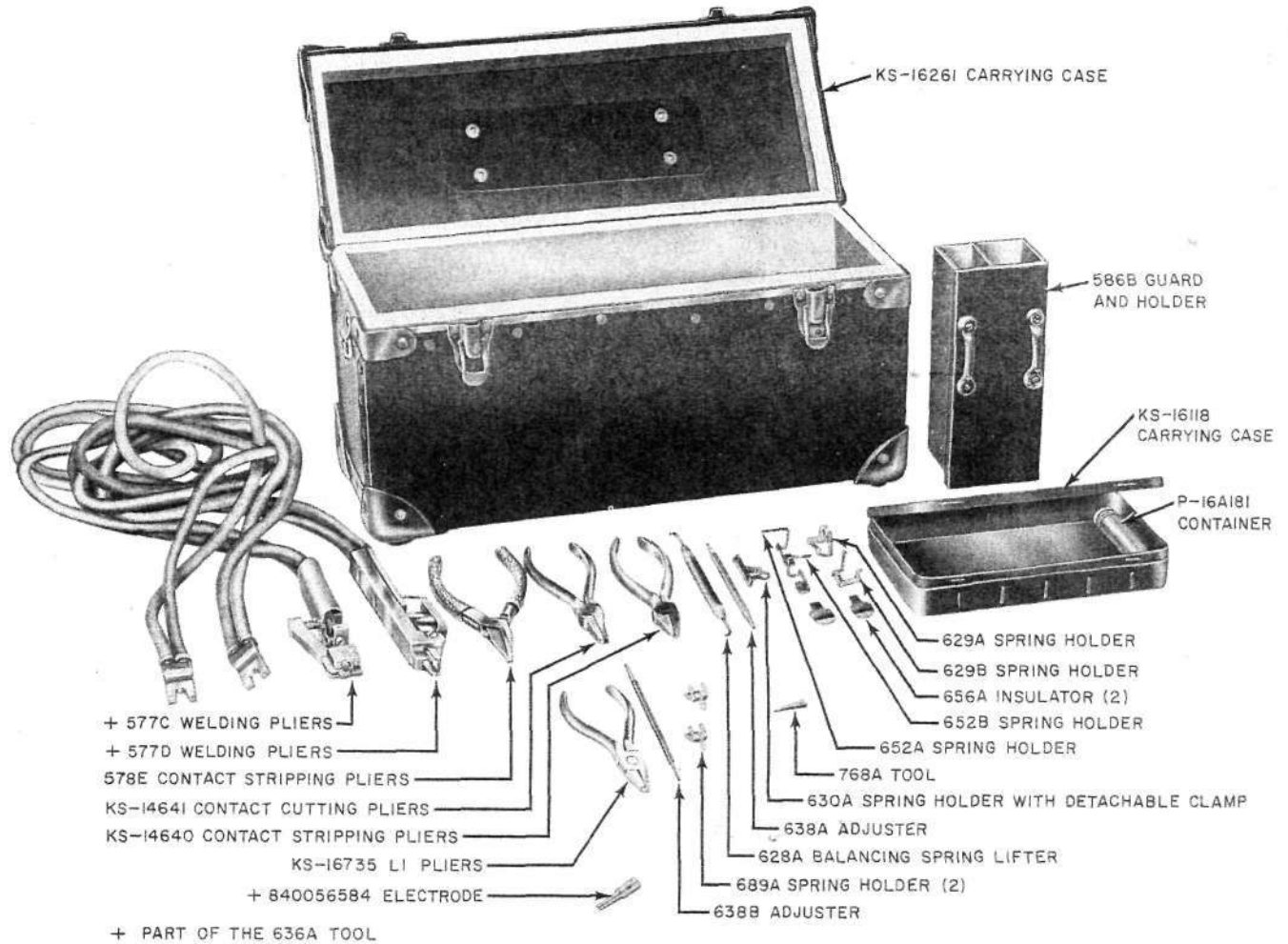


Fig. 4—1013A Tool Kit

4.02 Time-Control Relay: The time-control (U type) relay in the contact welder circuit (Fig. 2) shall meet the following requirements in accordance with Section 040-518-701:

(a) **Armature Travel:** 0.035 inch

(b) **BSP Fig. No.** 144/101

(c) **Test Clip Data**

CONN BAT.	CONN GRD	TEST SET PREP	INSULATE
2T (time-control relay)	1B (time-control relay)	NGB	1B (time-control relay)

(d) **Electrical Requirements**

	TEST	READJUST
Operate	13.2 mA	12.5 mA
Nonoperate	9.6 mA	10.1 mA

4.03 Power Relay: The power relay in the contact welder circuit (Fig. 2) shall meet the following requirements:

(a) **Test Clip Data**

SECTION 069-310-801

CONN BAT.	CONN GRD	TEST SET PREP	BLOCK
1T (time-control relay)	2B (time-control relay)	NGB	Time-control relay) operated

(b) Contacts shall make with the relay electrically energized against a 0.030-inch gauge and shall not make with the relay electrically energized against a 0.037-inch gauge.

Use the KS-6938 gauge.

(c) The contact separation measured at the lower edge of the bottom contact shall be

Min 0.074 inch

Use the 131A gauge.

(d) **Electrical Requirements**

	TEST	READJUST
Operate	100 mA	95 mA
Hold	60 mA	57 mA
Release	40 mA	42 mA

4.04 Rectified Voltage: The dc voltage supplied from the rectifier (Fig. 2) at the winding terminals of the time-control relay shall be

Min 15 volts

To check this voltage, proceed as follows.

(a) On the 102B current-supply set, disconnect the welding plier leads from the current-supply set terminals using the 245 wrench. On the 102A current-supply set, insert a sheet of paper between the electrodes of the welding pliers and place the pliers so as to avoid shorting the electrodes.

(b) Connect the power cord to a 105- to 125-volt ac supply.

(c) Block the time-control relay in the unoperated position with the 768A armature blocking tool.

(d) Connect the 35-type test set or the Weston Model 931 voltmeter across the winding of the time-control relay and check the voltage indicated when the control button is depressed.

(e) If the voltage is below the specified minimum, it is an indication that the rectifier (23A varistor or the KS-15657 L7 rectifier stack) is not functioning properly.

REPLACEMENT OF PARTS—WELDING PLIERS AND ASSOCIATED EQUIPMENT

ORDERING INFORMATION

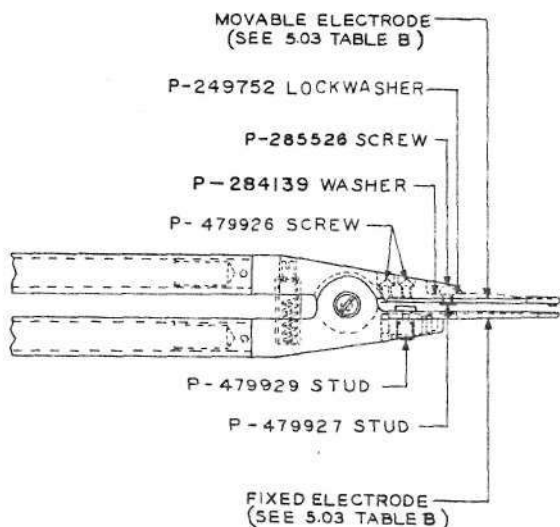
5.01 The figures in this part show the parts of the welding pliers and current-supply set which may be replaced in the field as follows: 577A and 577B welding pliers (Fig. 5); 577C welding pliers (Fig. 6); 577D welding pliers (Fig. 7); and 102B current-supply sets (Fig. 8). These parts are shown in proper relation to associated parts. The piece-part numbers and names of replaceable parts as listed by the Western Electric Company Merchandising Department are given on the figures. No attempt should be made to replace parts not designated.

5.02 When ordering parts for replacement purposes, give the piece-part number as well as the name of the part; for example, P-479941 electrode. Do not refer to the BSP number or any other explanatory information.

5.03 Table B lists the designations of electrodes and guides with reference to their use in replacing contacts on the apparatus covered in Sections 069-310-801 through 069-310-804 and 069-311-801 subdivisions. Table C, which supplements Fig. 5, and Table B list the ordering information for the various electrodes and guides which can be used on the welding pliers shown in Fig. 5.

REPLACEMENT PROCEDURES

5.04 No replacement procedures are given for screws or other parts where the procedure consists of a simple operation.



NOTE 1-577A TOOL NOT REPLACEABLE IN FIELD AS LEADS ARE PERMANENTLY CONNECTED TO 102A CURRENT SUPPLY SET.

NOTE 2-577B TOOL INCLUDING LEADS REPLACEABLE IN FIELD AS LEADS ARE DETACHABLE FROM 102B CURRENT SUPPLY SET

Fig. 5—577A and 577B Welding Pliers

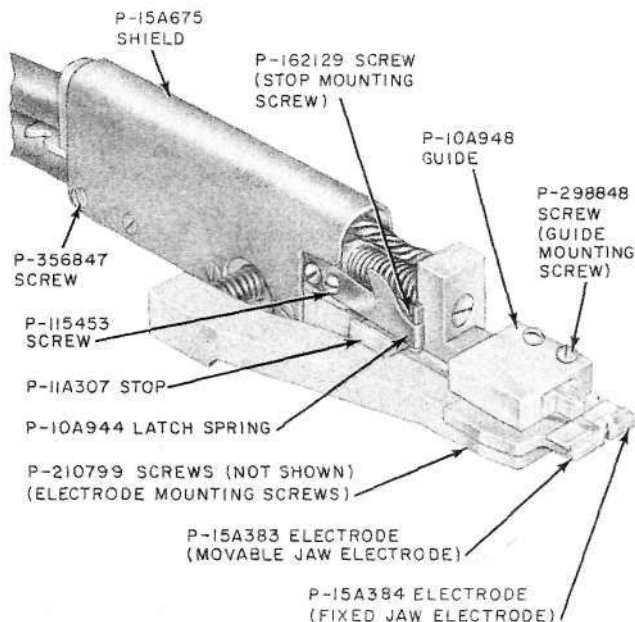


Fig. 6—577C Welding Pliers

5.05 577A and 577B Welding Pliers: Since it is necessary to change electrodes and guides on these pliers in order to weld contacts

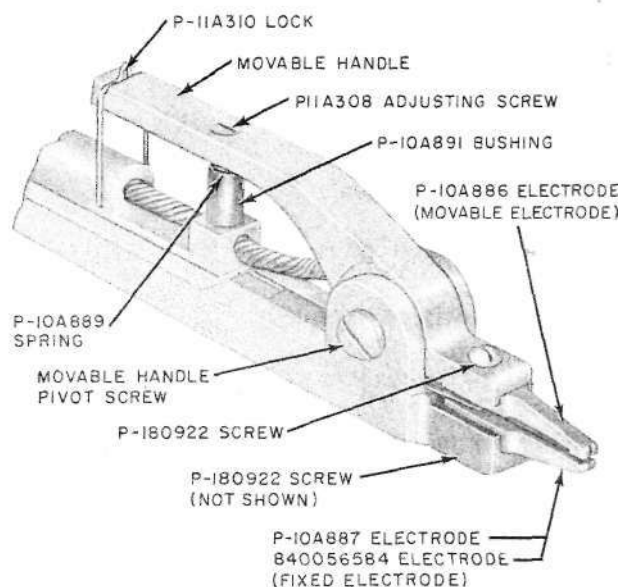


Fig. 7—577D Welding Pliers

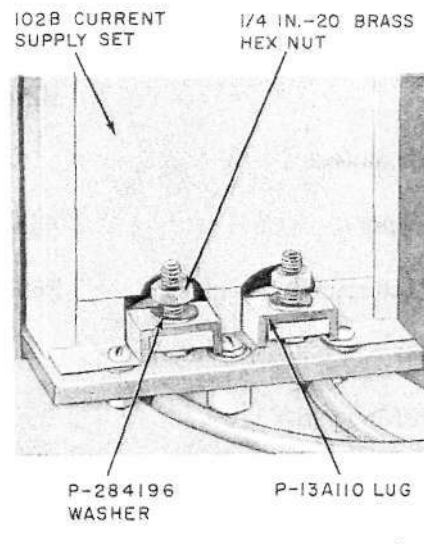


Fig. 8—102B Current Supply Set

on the different types of apparatus covered in Section 069-310-802, the procedures for replacing the electrodes and guides are given in that section.

5.06 577C and 577D Welding Pliers (636A Tool): Before replacing the electrodes on either the 577C or 577D welding pliers, disconnect

TABLE B
ELECTRODES AND GUIDES — DESIGNATIONS

TYPE OF APPARATUS	TYPE OF SPRING	ELECTRODE DESIGNATIONS		GUIDE DESIGNATIONS
		FIXED	MOVABLE	
E- and similar-type relays	All	11	20	D
U-, Y-, and UA-type relays	All	11	20	A
U- and Y- type relays	Inner contacts	23*	20	BB*
UB-type relays	Solid	12	21	P
	Bifurcated	12	21	N
Step-by-step type relays	L shaped	10	20	E
	Straight	10	20	F
229- and 230-type relays	Front contact spring	15*	22*	W* and U*
	Armature spring	15*	22*	V* and X*
	Transfer Break spring	15*	22*	W* and U*
245- and 254-type relays	Solid	11	20	H
	Bifurcated	11	20	J
263- and 264-type relays	Solid	11	20	A
	Bifurcated	11	20	B
197-Type Switches				
VON Springs	Solid	14*	22*	S* and T*
Rotary interrupter springs	Solid	14*	22*	S* and T*
300- to 303-Type Crossbar Switches				
Select off-normal	Solid	11	21	H
	Bifurcated	11	21	J
Hold off-normal	All	11	21	C
Cross-points	Solid	11	21	M
	Bifurcated	11	21	L
304- to 308-, 314-, 315-. and 318-Type Crossbar Switches				
Select off-normal	Solid	11	21	H
	Bifurcated	11	21	J
Hold-off normal	#	11	21	A
Cross-points	Solid	11	21	M
	Bifurcated	11	21	L

TABLE B (Cont'd)
ELECTRODES AND GUIDES — DESIGNATIONS

TYPE OF APPARATUS	TYPE OF SPRING	ELECTRODE DESIGNATIONS		GUIDE DESIGNATIONS
		FIXED	MOVABLE	
324-, 325-, 328-, 334-, and 338-Type Crossbar Switches				
Select off-normal	Solid	11	21	H
	Bifurcated	11	21	J
Hold off-normal	#	11	21	A
Crosspoints	Solid	11	21	M
	Bifurcated	11	21	M§
KS-13835 Reader				
Control springs	All	11	22*	A
Reading springs	Solid (movable)	11	22*	R*
200-, 202-, 206-, 208-, 209-, 211-, and 1202-Type Selectors				
10-, 11-, 26-, 27-, and 32-type banks	One-piece feeder brush	13*	21	
Wire-Spring Type Relays				
AF-, AG-, AJ-, AK-,— AL-, and AM-type - relays	Fixed	See Fig. 6		
	Movable	See Fig. 7		
286-, 287-, and 288- (multicon-tact type relays	Fixed	See Fig. 6		
	Movable	See Fig. 7		

*The No. 13, 14, 15, 22, and 23 electrodes and the S, T, R, U, V, W, X, AA, and BB guides are not included as part of the 1004A or 1004B tool kits.

#All springs, except those of the two break combinations on 324-, 325-, and 328-type switches. In the case of the two break combinations, replace the spring assembly.

§ Where the switch is provided with crosspoint springs having overhanging contacts, the A A guide (*) shall be used.

TABLE C
ELECTRODES AND GUIDES —
ORDERING INFORMATION

ELECTRODE DESIGNATION	ORDERING INFORMATION
10	P-479941 Electrode
11	P-479940 Electrode
12	P-463553 Electrode
13	P-11A860 Electrode
14	P-10B920 Electrode
15	P-12B022 Electrode
20	P-479924 Electrode
21	P-485151 Electrode
22	P-10A665 Electrode
23	840057996 Electrode
GUIDE DESIGNATION	ORDERING INFORMATION
A	P-479918 Guide
B	P-479919 Guide
C	P-479920 Guide
D	P-479921 Guide
E	P-479922 Guide
F	P-479923 Guide
H	P-480371 Guide
J	P-480372 Guide
L	P-480374 Guide
M	P-482265 Guide
N	P-485148 Guide
P	P-485149 Guide
R	P-485150 Guide
S	P-10B923 Guide
T	P-11B200 Guide
U	P-12B328 Guide
V	P-12B329 Guide
W	P-12B330 Guide
X	P-12B331 Guide
AA	P-12B945 Guide
BB	840057988 Guide

the welding plier leads from the terminals of the 102B current-supply set using the 245 wrench.

5.07 577C Welding Pliers: The 577C welding pliers have two replaceable electrodes which form the jaws of the pliers. The third electrode on which the replacing contact is positioned (contact electrode) is not replaceable in the field. Before replacing either the movable or fixed jaw electrode, make sure the contact electrode is in the latched position. To latch, pull the electrode back toward the handle of the pliers until the latch spring engages the projection on the electrode.

5.08 Movable Jaw Electrode: Fig. 6—Hold the electrode jaws open and remove the movable jaw electrode mounting screws with the 3-inch C screwdriver. Remove the electrode. Position the new electrode in the pliers so it faces the fixed jaw electrode, and align the holes in the electrode with the corresponding mounting holes in the pliers. Insert and tighten the electrode mounting screws, taking care not to exert force which would be sufficient to damage the threads in the electrode. Allow the electrode jaws to close.

5.09 Fixed Jaw Electrode: Fig. 6—Remove the guide mounting screws using the 3-inch C screwdriver. Then hold the electrode jaws open, and remove the fixed jaw electrode mounting screws with the screwdriver. Position the new electrode on the pliers so it faces the movable jaw electrode, and align the holes in the electrode with the corresponding mounting holes in the pliers. Insert and tighten the electrode mounting screws, taking care not to exert force which would be sufficient to damage the threads in the electrode. Align the holes in the guide with the corresponding holes in the electrode. Insert and tighten the guide mounting screws, again taking care not to exert force which would be sufficient to damage the threads in the electrode. Release the latch and allow the contact electrode to move forward to the welding position. Check that the contact electrode is centered with respect to the jaw electrodes. If necessary, loosen the guide and the stop and guide mounting screws and shift the contact electrode as required. Tighten the mounting screws and place the contact electrode in the latched position.

5.10 577D Welding Pliers—Fig. 7: To replace either of the electrodes, proceed as follows. Lock the jaws of the pliers open by depressing the handle so the catch can be swung to an upright position over the handle. Then release the handle, making sure the catch engages the recess in the handle. Remove the electrode mounting screw using the 3-inch C screwdriver and remove the electrode. Position the new electrode in the recess in the pliers so it faces the other electrode and its mounting hole is in alignment with its corresponding hole in the pliers. In the case of the fixed electrode, make sure the electrode is positioned under the spring in the pliers. Insert and tighten the mounting screw, taking care not to exert force which would be sufficient to strip the threads in the electrode.

6. SUBSTITUTION OF STEEL FOR NONMETALLIC BUSHING ON 577D WELDING PLIERS (PART OF 636A TOOL)

6.01 As initially manufactured, the 577D welding pliers were equipped with a nonmetallic bushing to act as a stop for the movable handle and enclose the spring that exerts the pressure to hold the electrodes closed during welding. Later, a steel bushing and spring of slightly larger diameter were adopted to provide more reliable electrode pressure during use of the pliers. The pliers should be equipped with the steel bushing and larger diameter spring, as covered in 6.02 through 6.06, as soon as practicable to insure continued reliable operation of the pliers.

6.02 Remove the sealing compound over the adjusting screw in the movable handle of the pliers using the No. 40 flat graver equipped with the No. 15 handle. Take care not to damage the screws threads in the handle of the pliers when removing the compound with the graver.

6.03 Remove the adjusting screw with the 3-inch C screwdriver. Substitute the new bushing and spring. Remount the adjusting screw with the screw underflush with the top of the handle to permit application of sealing compound above the screw. Adjust the electrode pressure and separation between electrodes as covered in 6.04 and 6.05. Remove the spring and cut off turns of the spring in one-half turn steps with the diagonal pliers if this is necessary to obtain the required adjustments with the adjusting screw underflush. Smooth the cut end of the spring with the KS-2663 file.

6.04 *Adjusting Electrode Pressure*

- (1) Clamp the handle that mounts the fixed electrode in a vise with the movable jaw

pivot screw vertical and movable jaw free to operate.

- (2) Unlatch the pliers. Open the jaws of the pliers by compressing the movable handle. Hold the 0.016-inch gauge of the 171A gauge nest vertically below the electrodes, and insert the gauge between the electrodes so the square end of the gauge is in line with the groove in each electrode. Release the handle of the pliers so the gauge is held between the electrodes.

- (3) Apply the finger of the 79B gauge to the tip of the movable electrodes. Check whether the gauge is released when a pull of from 495 to 585 grams is exerted on the movable electrode. Turn the adjusting screw clockwise with the 3-inch C screwdriver to increase the pressure or counterclockwise to decrease the pressure.

- (4) After adjusting the electrode pressure with the adjusting screw underflush with the top of the handle (see 6.03), check the separation between electrodes as covered in 6.05.

6.05 *Adjusting Separation Between Electrodes:* Unlatch and fully compress the welding plier handles. Measure the separation at the tip of the electrodes with the R-8550 scale. If the separation is less than 3/32 inch, turn the* adjusting screw counterclockwise with the 3-inch C screwdriver to increase the separation. If the position of the adjusting screw is changed, recheck the adjustment for electrode pressure as covered in 6.04.

6.06 *Application of Sealing Compound:*

After adjusting the electrode pressure and separation between electrodes with the adjusting screw underflush with the top of the handle, fill the hole above the adjusting screw with KS-6824 sealing compound.