

INSTRUCTIONS FOR INSTALLING THE 161815, 176287 AND  
179492 MODIFICATION KITS TO ADAPT TRANSMITTER  
DISTRIBUTOR BASES TO MOUNT AN AUXILIARY TYPING  
REPERFORATOR BASE IN MODEL 28 CABINETS

The chart below pertains to Bell System only:

Teletype Unit	Teletype Code	Bell System Reference	Bell Code
Transmitter Distributor Base	LCXB	Transmitter Distributor Base	28E & up
Auxiliary Typing Reperforator Base	LRB5	Auxiliary Typing Reperforator Base	28C

1. GENERAL

a. The 161815 Modification Kit is used to mount a typing reperforator base LRB in a Model 28 Cabinet LAAC200\*\* and up, on the Transmitter Distributor Base LCXB1, LCXB5 and up, and the rear rail of the cabinet cradle assembly. Also, a tape exit path and guide is provided from the auxiliary typing reperforator punch to the outside of the cabinet.

b. The 176287 Modification Kit is used to mount a typing reperforator base LRB32 in a Model 28 Cabinet LAAC229\*\*, on casting of the Transmitter Distributor Base LCXB13 and the rear rail of the cabinet cradle assembly. Also, a tape exit path and guide is provided from the auxiliary typing reperforator punch to the outside of the cabinet.

c. The 179492 Modification Kit is used to mount a Typing Reperforator Base (LRB34) on the LCXB15 Transmitter Distributor Base in the Model 28 Cabinet LAAC232\*\*.

d. The 161815, 176287, or 179492 Modification Kit consists of:

			<u>161815</u>	<u>176287</u>	<u>179492</u>
3	2191	Washer, Lock	X	X	
1	2449	Washer, Lock	X	X	
1	25123	Screw	X	X	
1	84354	Washer, Flat	X		X
3	125015	Washer, Flat	X	X	
1	151572	Washer, Star	X	X	
2	151631	Screw	X	X	
1	151632	Screw	X	X	
1	154076	Plate, Nut	X	X	
2	161777	Stud	X	X	X
1	161778	Stud	X		X

			<u>161815</u>	<u>176287</u>	<u>179492</u>
1	161798	Guide, Tape	X		
1	161800	Bracket	X	X	
1	176288	Guide Tape		X	
1	176422	Bracket Mounting	X	X	

e. For part numbers referred to and for parts ordering information refer to Teletype Bulletins 1167B and 1169B.

## 2. INSTALLATION (Figure 1 used for all three modification kits)

### NOTE

For 179492 Modification Kit use only steps a., b., and e.

a. Screw the two 161777 Mounting Studs into the rear rail of the cabinet cradle assembly.

b. Screw the one 161778 Mounting Stud into the LCXB Transmitter Distributor Base Casting. When the 161867 Set of Parts for LCXB Base Isolation is not present, assemble the 84354 Washer to the 161778 Stud before threading it into the base casting. For 158015 Bases or bases having cut-out, fasten the 176422 Bracket to the distributor base casting with the 25123 Screw and 2449 Lock Washer. Use the 84354 Spacer if isolation parts are not present.

c. Fasten the 161798 Tape Guide w/Bracket (176288 Tape Guide w/Bracket in 176287 Modification Kit) to the 161800 Bracket placing the 151572 Star Washer between them. Use the 151632 Screw, 2191 Lock Washer, 125015 Flat Washer, and 154076 Nut Plate. Tighten friction tight.

d. Mount the 161800 Bracket with its assembled parts to the base plate of the LRB using the two 151631 Screws, two 2191 Lock Washers, and two 125015 Flat Washers. Tighten friction tight.

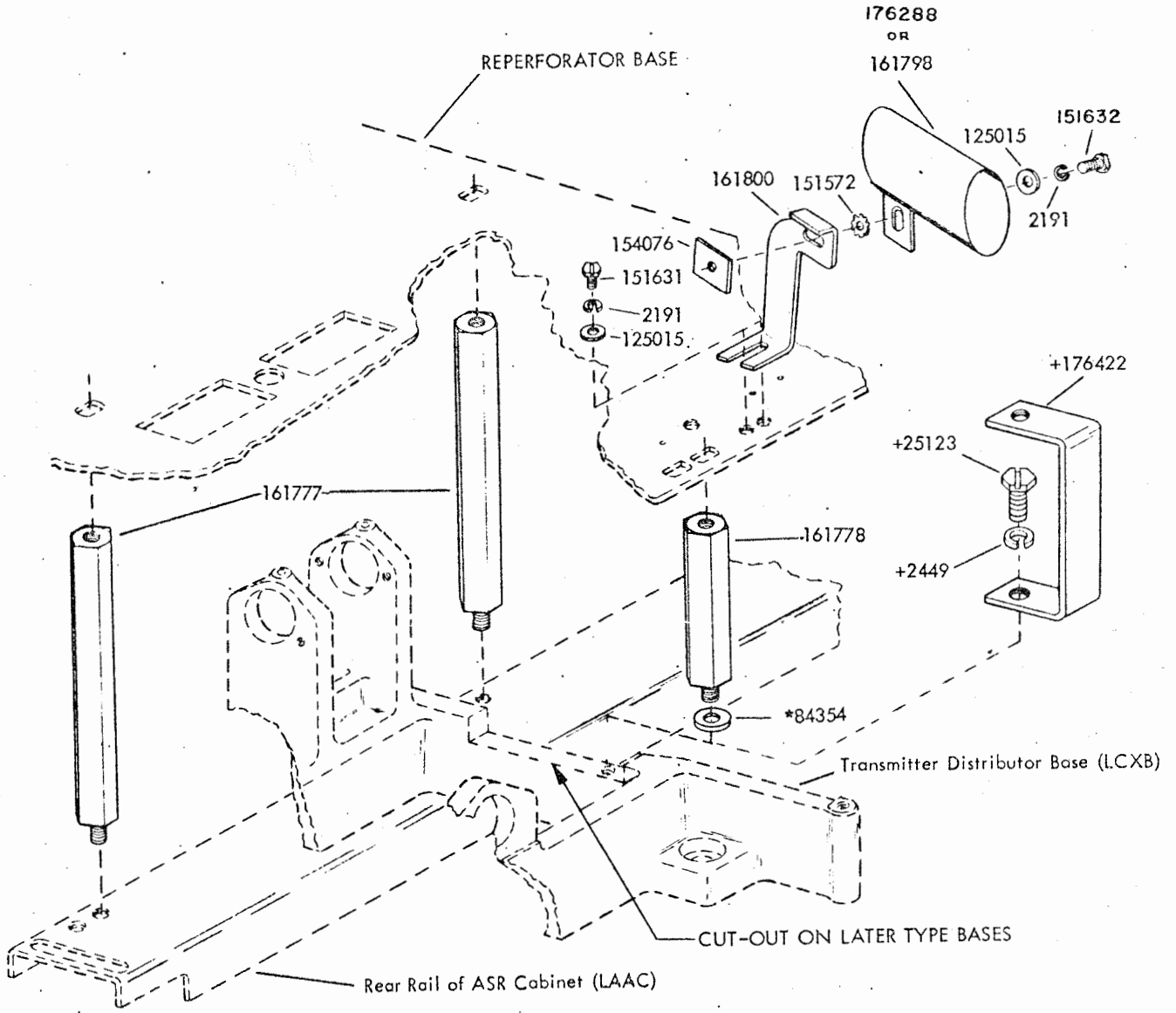
### NOTE

Before mounting the LRB Base, the transmitting base (LCXB) 158271 speed change gear guard must be removed.

e. With the typing reperfector base LRB installed, and the control panel in place, adjust the tape guide so that it is in alignment with the hole in the control panel when the dome is closed. If the tape snags on the edge of the hole, readjust the tape guide. Tighten the three adjusting screws.

### NOTE

It may be necessary to shift the LRB, the dome hinge adjustment, and/or the LAK mounting slightly to obtain proper alignment of the tape guide with the slope of the tape exit opening and the face of the punch backspace rake.



SPECIFICATION 5929S

\*NOT REQUIRED WHEN UNIT IS  
EQUIPPED WITH BASE ISOLATION  
PARTS.

+PARTS USED ON BASES  
HAVING CUT-OUT

FIGURE 1