

INSTRUCTIONS FOR INSTALLING THE 321088
MODIFICATION KIT TO PROVIDE AUDIBLE
AND VISIBLE ALARM TO TABLE MOUNTED
MODEL 28 RO SET EQUIPPED WITH LESU126

1. GENERAL (8091WD)

a. The 321088 modification kit provides audible and visible indication of alarm (may be to indicate a paper out condition) in the Model 28 Receiving Only Page Printer Set equipped with LESU126. The kit mounts on the LAC203 Cabinet.

b. The audible portion of the alarm consists of a buzzer mounted outside of the printer compartment of the cabinet in place of the signal bell to allow maximum audibility of the buzzer.

c. The visible portion of the alarm consists of an incandescent lamp in a socket mounted behind the lower left red translucent button in the dome of the cabinet.

d. The alarms shall operate on 48 volts direct current, customer supplied.

e. The 321088 modification kit is not compatible with the 151560 signal bell assembly. The 151560 signal bell assembly is removed and discarded when the 321088 kit is installed.

f. The 321088 kit consists of:

4	2191	Washer, Lock	4	125390	Washer, Flat
1	3598	Nut	1	145029	Buzzer
1	3639	Washer, Lock	1	151630	Screw
4	3646	Washer, Lock	3	151631	Screw
3	7002	Washer, Flat	1	153400	Lamp
3	76461	Washer, Flat	1	153442	Screw
1	121243	Clamp, Cable	1	164121	Cable Assembly Indicator
4	125170	Screw	1	323417	Mounting Plate
			1	323418	Cable Assembly, Buzzer

g. For parts ordering information, other than the parts in the kit, and for adjustments and lubrication procedure of related equipment, refer to the standardized information.

2. INSTALLATION (Figures 1 and 2)

a. Install the 164121 indicator cable lamp socket and associated hardware behind the lower left translucent button per Figure 2.

b. Remove and discard the 151560 signal bell if present. Install the buzzer and associated hardware per Figure 1. The 7002 flat washers are placed within the large holes in the cabinet replacing rubber grommets of the signal bell to locate the 323417 mounting plate. Mount the 323417 plate to the cabinet and then mount the buzzer to the plate.

c. Connect the cable assemblies to the cabinet terminal blocks per 8091WD.

d. Position the paper out indicator lamp so that there is approximately 1/16 inch clearance between the bulb and the translucent button.

*

*

*

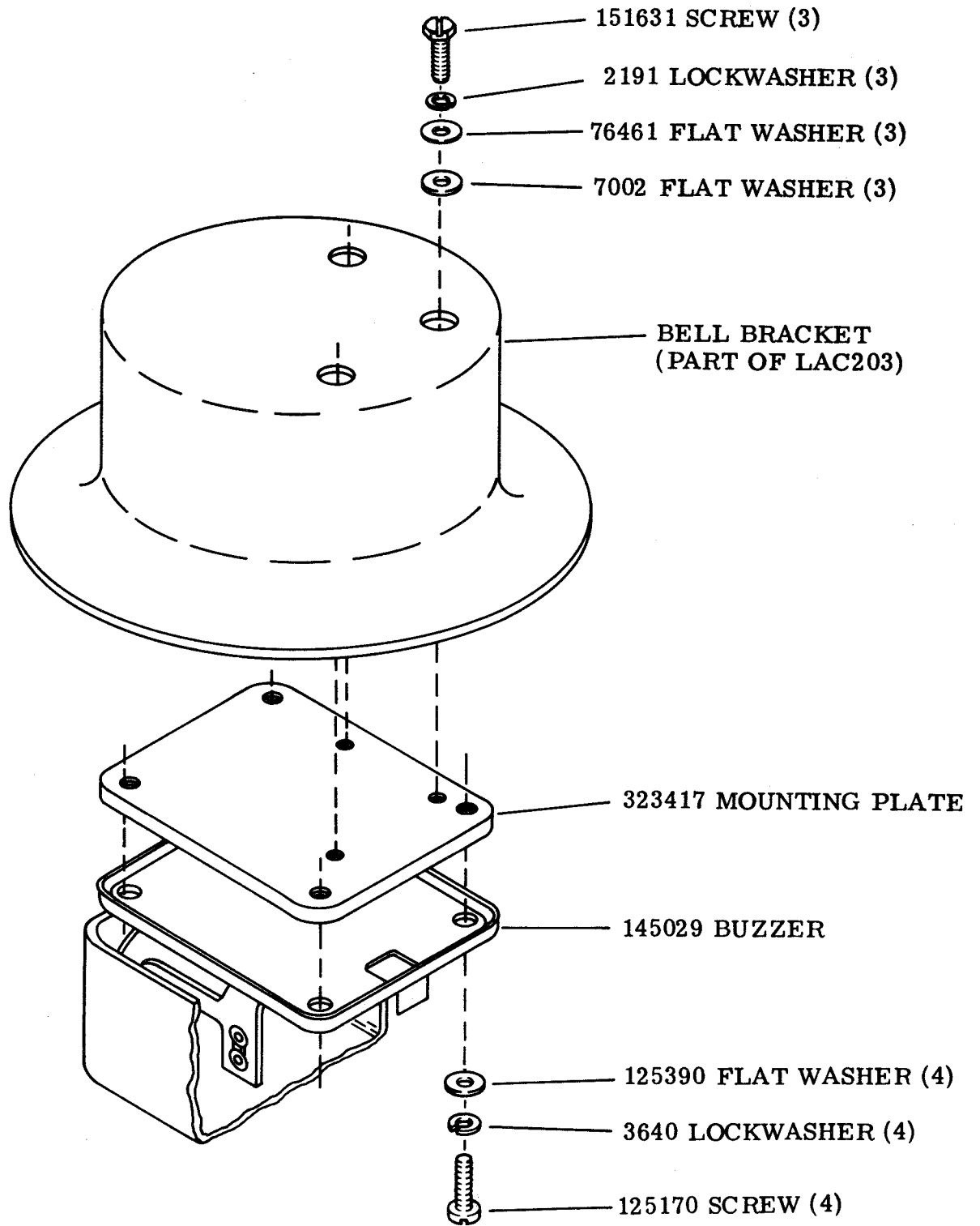
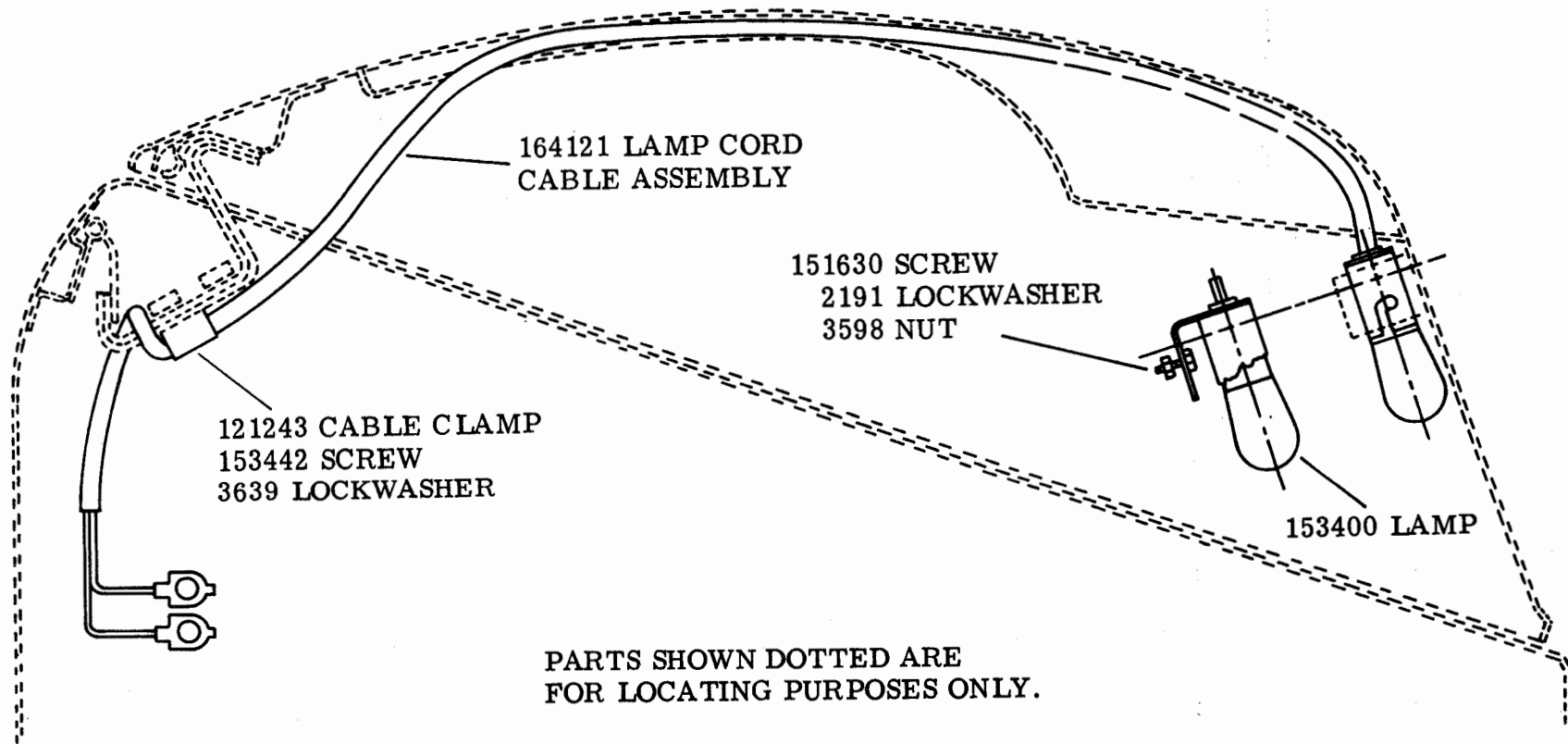


FIGURE 1

FIGURE 2



50467S