

INSTRUCTIONS FOR INSTALLING THE 199361 MODIFICATION
KIT TO PROVIDE A GROUND STRAP FOR MODEL 28 ASR SETS

1. GENERAL

a. The 199361 modification kit provides a direct ground path from the Model 28 ASR Base to the ASR Cabinet.

NOTE

The 199361 kit may be installed on all Model 28 ASR Sets.

b. The 199361 kit consists of:

1	180675	Screw
1	180904	Tab
1	310153	Strap Assembly

c. For parts information see Teletype Parts Bulletin 1169B.

2. INSTALLATION (See Figure 1)

a. Drill a .115 diameter hole (No. 32 drill size) approximately one inch to the left and 5/8 inch from the back of the right rear corner of the ASR Base. See Figure 1. The dimensions locating the hole are not critical.

b. Assemble the 180904 terminal (quick connect) with the 180675 screw in the previously drilled hole. Assemble the terminal lug of the ground strap to the cabinet frame ground screw and insert the 181392 clip on the 310153 strap to the 180904 terminal on the base.

*

*

*

503855

FASTEN TO CABINET FRAME GROUND SCREW.

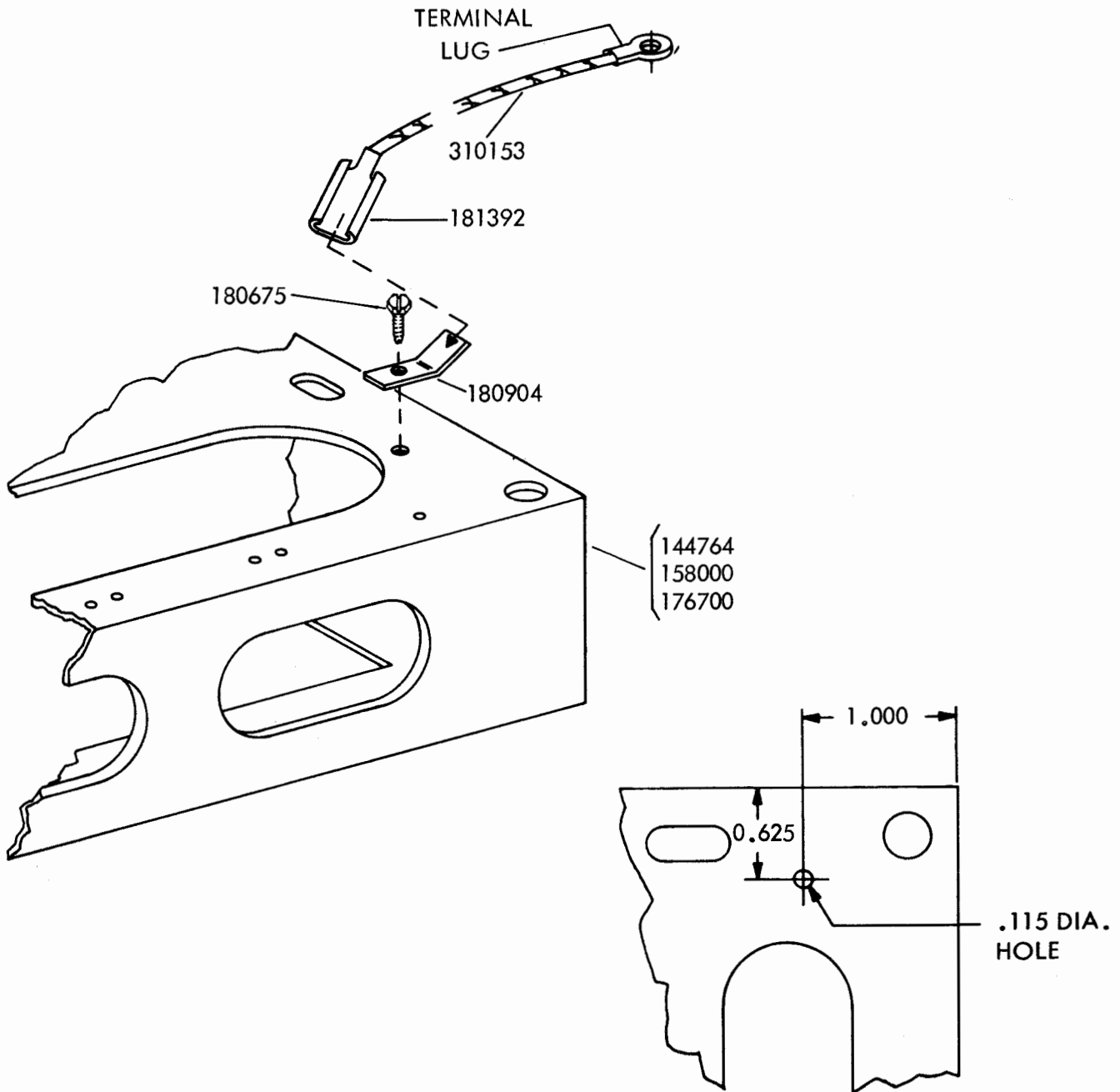


FIGURE 1