

INSTRUCTIONS FOR INSTALLING THE 192234** MODIFICATION
KIT TO ADD OFFSET COPYHOLDER TO MODEL 35 ASR AND KSR
SET CABINETS HAVING CALL CONTROL UNIT MOUNTING FACILITIES

1. GENERAL

a. The 192234** Modification Kit mounts on the right side of the Model 35 ASR or KSR Set Cabinet equipped with Call Control Unit mounting facilities. The kit provides means for holding the copy being used while typing, and also has a copy tray.

b. Four holes are provided in late design lower covers for mounting the kit; however, with early design covers the necessary holes must be drilled in accordance with Figure 1.

c. The 192234** Modification Kit consists of:

4	2669	Washer, Lock	4	115590	Screw
2	8333	Screw	1	194970**	Tray, Letter
4	84579	Washer, Flat	1	195615**	Copyholder Assembly W/Line Guide
4	112626	Nut	1	195867	Spring, Clip

d. The two asterisks (**) indicate a two letter suffix (two digit for Bell System) for the paint finish.

e. For parts ordering information see Teletype Parts Bulletin 1187B.

2. INSTALLATION (See Figures 1, 2, and 3)

a. On early design covers drill the necessary mounting holes in accordance with Figure 1 after removing the cover in accordance with standard practice.

b. On late design covers remove the snap-in fillers from the four holes to the rear of the call control unit bezel on the lower cover of the cabinet after opening the cover in accordance with standard practice.

c. Mount the 195615 Copyholder assembly W/Line Guide to the lower cover and secure the four 115590 Screws, four 2669 Lock Washers, four 84579 Flat Washers and four 112626 Nuts. (See Figure 2).

d. Insert the two 8333 Screws from the right into the tapped holes in the 195615 Copyholder Assembly. Tighten screws only a few times.

e. Place the 194970 Letter Tray slots over the 8333 Screws and tighten the screws.

f. Close the cover in accordance with standard practice, only before installing the call control unit bezel, remove the 194819 Spring Clip and install the 195867 Spring Clip in its place. (See Figure 3).

g. The tension of the line guide copyholder should be just sufficient to hold the copy in place and hold the line guide copyholder from slipping down the shaft. To adjust, if necessary, remove the two screws which mount the 194981 Line Guide Shaft. Remove the line guide copyholder and position the bushing which anchors the line guide torsion spring for proper tension. Re-assemble the copyholder and tighten the mounting screws.

*

*

*

50172S

NOTE
HOLE LOCATIONS ARE FROM SLOT
AT TOP OF CALL CONTROL OPENINGS.
FIND THE CENTER LINE OF SLOT AND
POSITION THE FOUR HOLES.

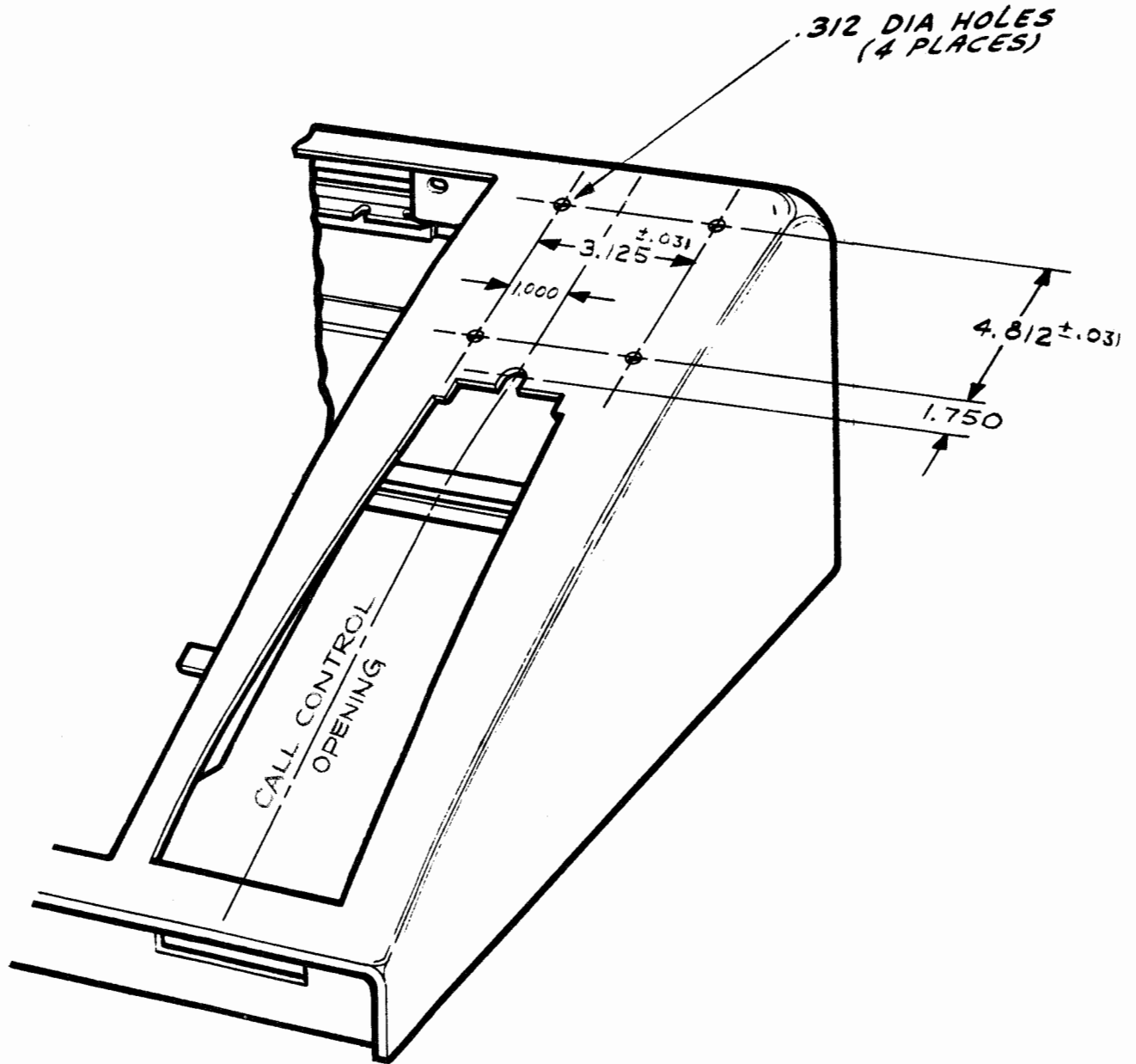


FIGURE 1.

50172S

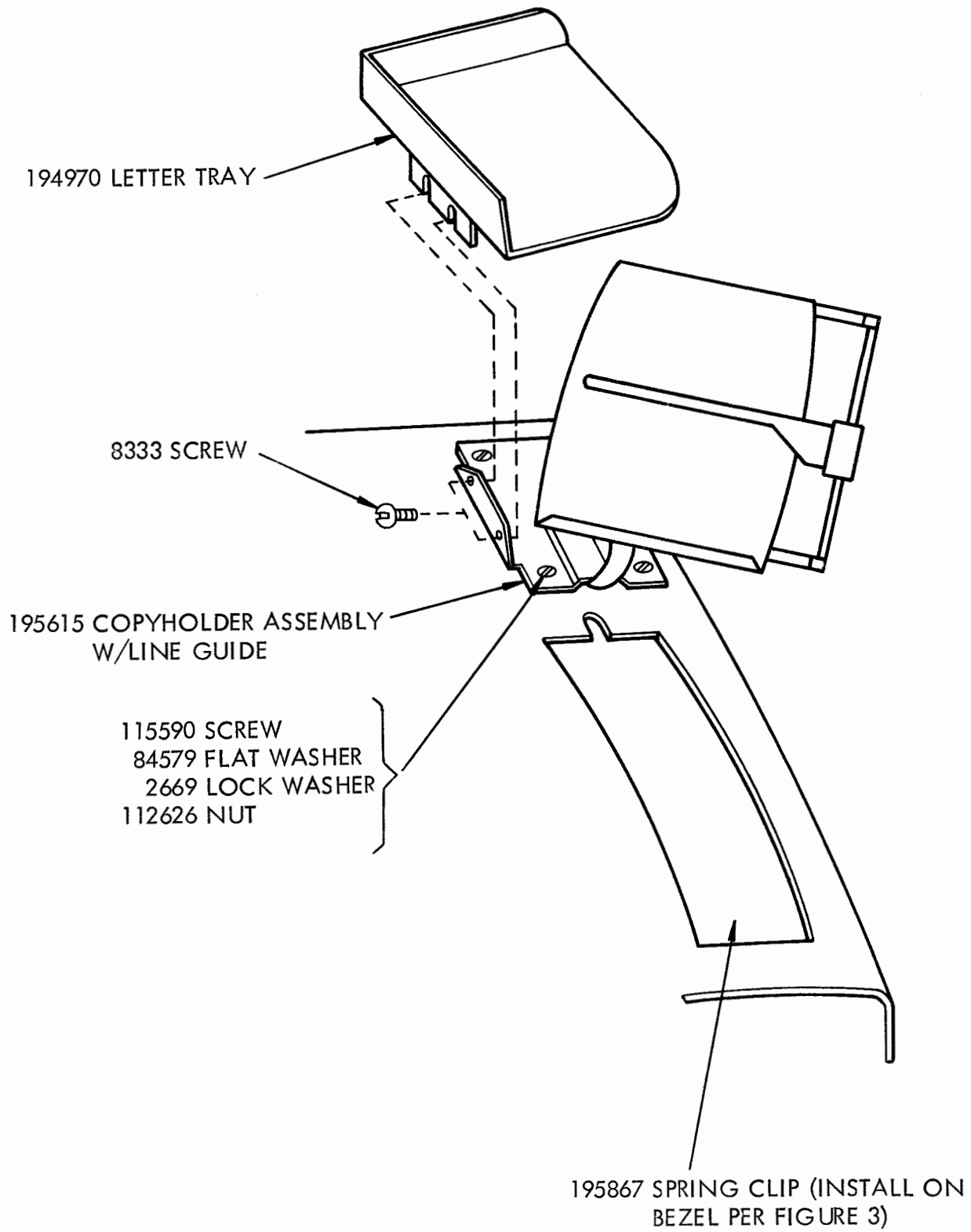
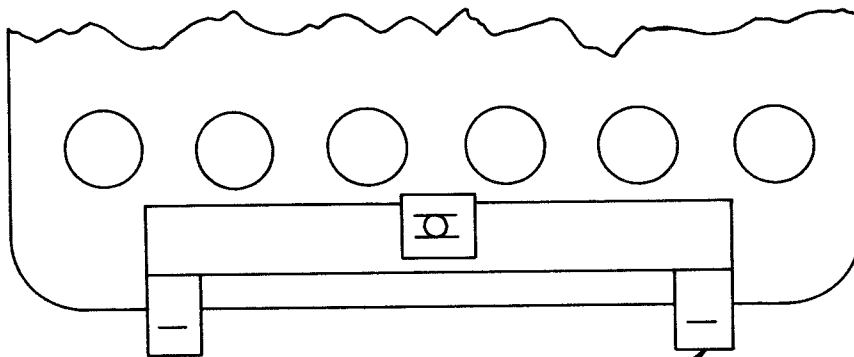
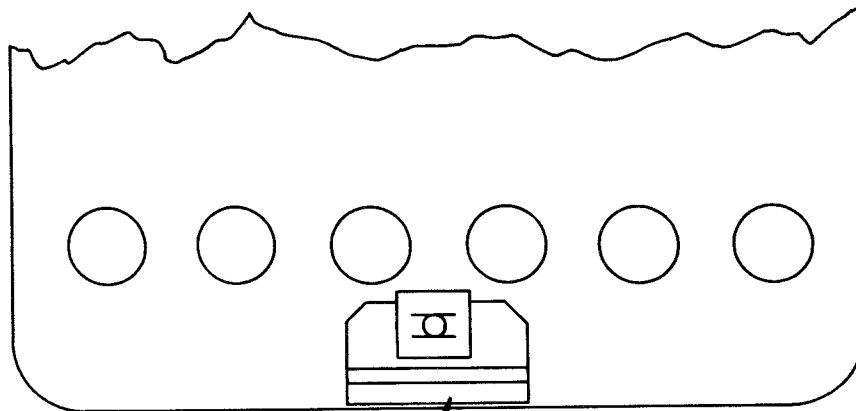


FIGURE 2

UNDERSIDE OF CALL CONTROL
UNIT BEZEL



REMOVE 194819 SPRING CLIP



INSTALL 195867 SPRING CLIP

FIGURE 3



2



2

