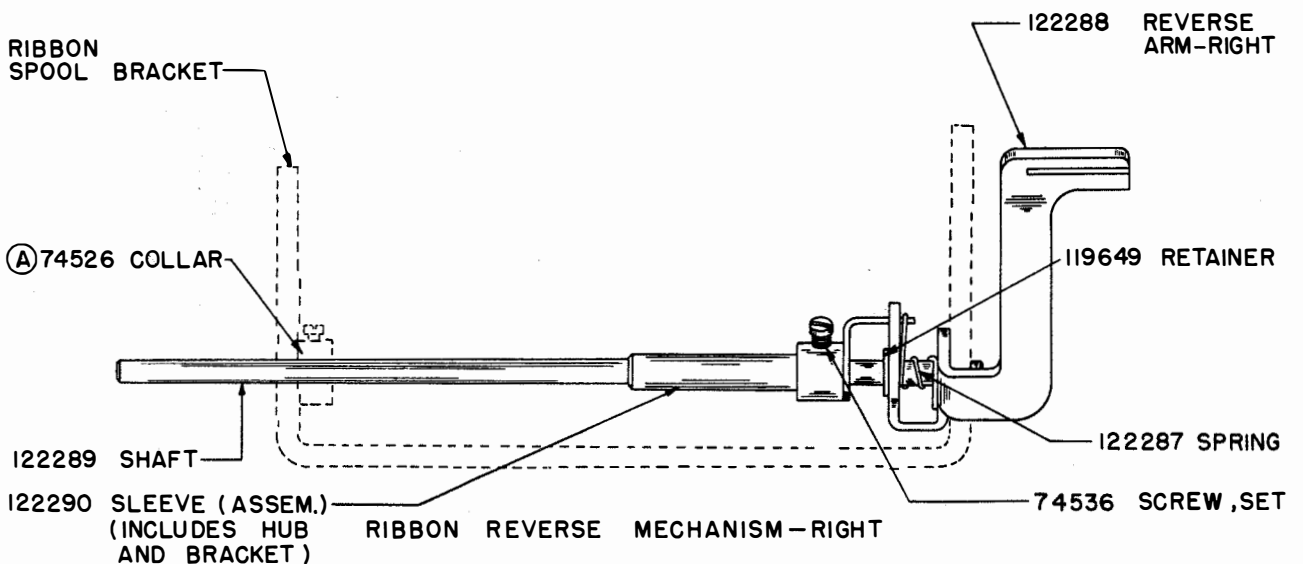
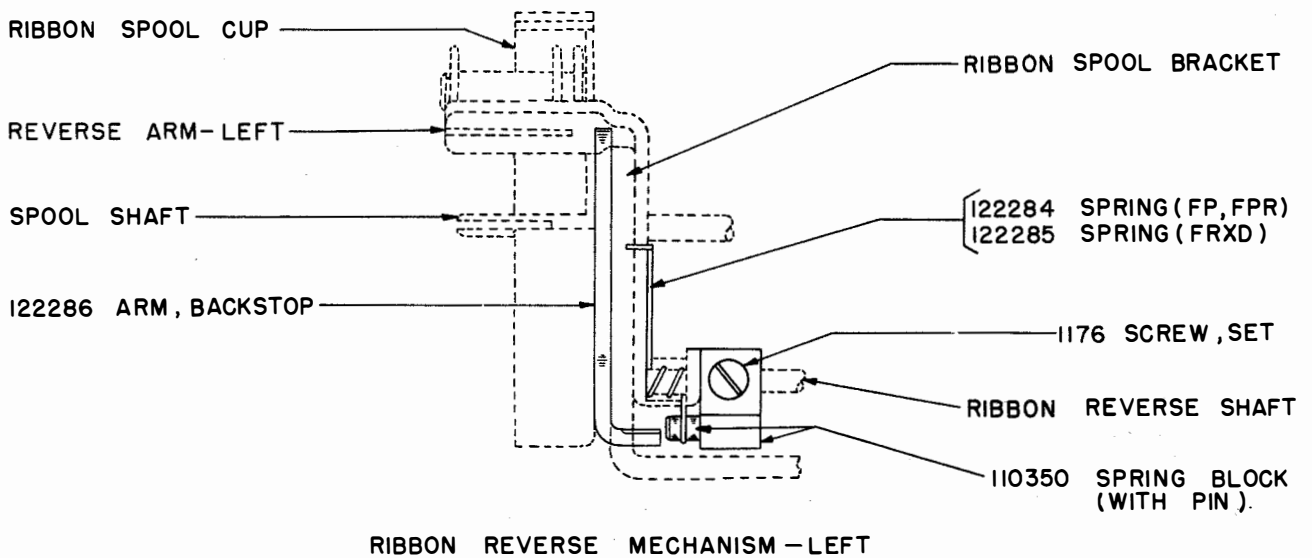


CHANGES AND ADDITIONS TO  
PARTS ( MODEL 14 ) BULLETINS

TYPE BAR TAPE PRINTER (FP)	TYPING REPERFORATOR (FPR)	REPERFORATOR TRANSMITTER (FRXD)
1028, ISSUE 2, PAGE 4	1082, ISSUE 2, PAGE 16	1108, ISSUE 1, PAGE 9
1030, ISSUE 2, PAGE 4	1088, ISSUE 2, PAGE 8	1126, ISSUE 1, PAGE 8
1031, ISSUE 3, PAGE 5	1100, ISSUE 2, PAGE 7	
	1117, ISSUE 2, PAGE 9,10	



113665 SET OF RIBBON REVERSE ARM YIELD SPRING AND BACKSTOP PARTS (EXCLUDES PART MARKED (A))

(A) THE 74526 COLLAR (5/16" O.D.) REPLACES THE 7039 COLLAR (3/8" O.D.) ON THE RIBBON REVERSE SHAFTS ON ALL MODEL 14 UNITS.