

MODULES AND ELECTRICAL COMPONENTS
FOR
"DATASPEED®" PRINTER (RECEIVE-ONLY)
PARTS

FIGURE	CONTENTS	PAGE
1	Printer Drive (DAD)	2
2	Rear Connector Plate (Part of 325730 Cable Assembly)	3
3	Character Generator (DAG)	4
4	Character Generator (DAG)	5
5	Character Generator (DAG)	6
6	Rear Connector Plate (Part of 325730 Cable Assembly)	7
7	Character Generator (DAG) Character Sheet Chart	8
8	Serial and Parallel Receive - Only Interface (DAIF)	9
9	325700** Control Panel Assembly	10
10	Multivoltage Power Supply (DAPS)	11
11	Multivoltage Power Supply (DAPS)	12
12	Multivoltage Power Supply (DAPS)	13
13	Multivoltage Power Supply (DAPS)	14
14	325190 Modification Kit - Type 11 Receive-Only Interface	15
15	325191 Modification Kit - Type 11 Send-Only Interface	15
16	325192 Modification Kit - Type 11 Send-Receive Interface	15
17	333700 Modification Kit - 850 WPM Routing System Interface	15
18	325195 Modification Kit - Type V Send-Receive Interface	16
19	325200 Discrete Calling Generator	17
20	32580.1 Inkheater and Line Feed Assembly	18
21	"Dataspeed" Receive-Only Simulator (DATS) Control Panel	19
22	"Dataspeed" Receive-Only Simulator (DATS) Box and Cover	20
23	331170 Modification Kit to provide cabinet with Simulator (DATS)	21
	Numerical Index	22

Notes:

- For Maintenance Tools, refer to Section 570-005-800
- When ordering parts from this section prefix each number with the letters TP.
- This section was formerly designated 592-820-802, but this number is now cancelled. Since this issue of Section 578-500-802 is a revision of Section 592-820-802, Issue 2, it is designated Issue 3.

PAINT FINISH CHART (For parts and assemblies requiring paint finish)	
Color	Smooth
Light Gray	EJ
Dark Covert Gray	FC

The double asterisk (**) denotes a painted part. Suffix to be applied following the part number.

The part identification information contained in the following change notices have been incorporated in this issue.

TCN's #1309 and #1364

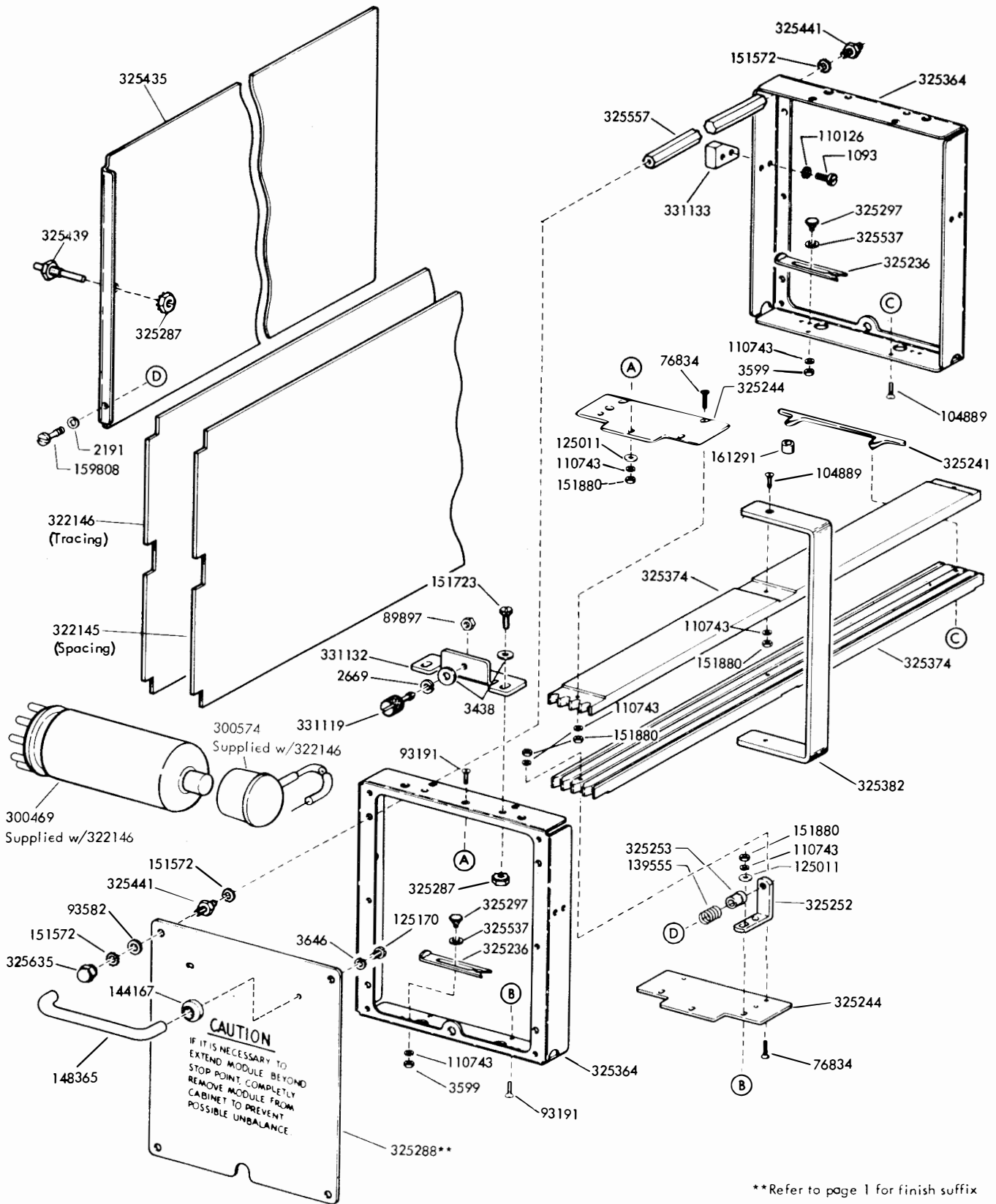


FIGURE 1. PRINTER DRIVE (DAD)

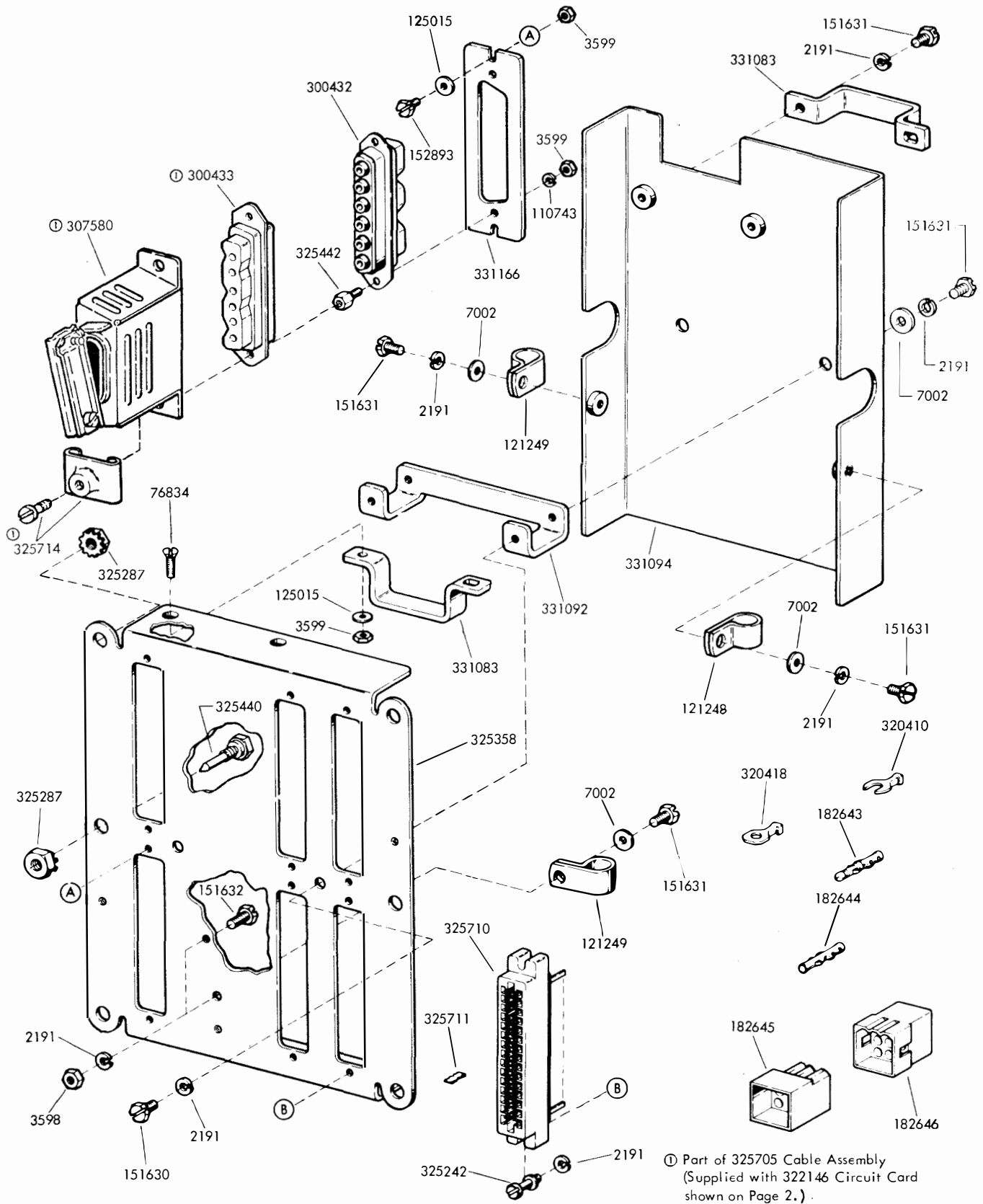
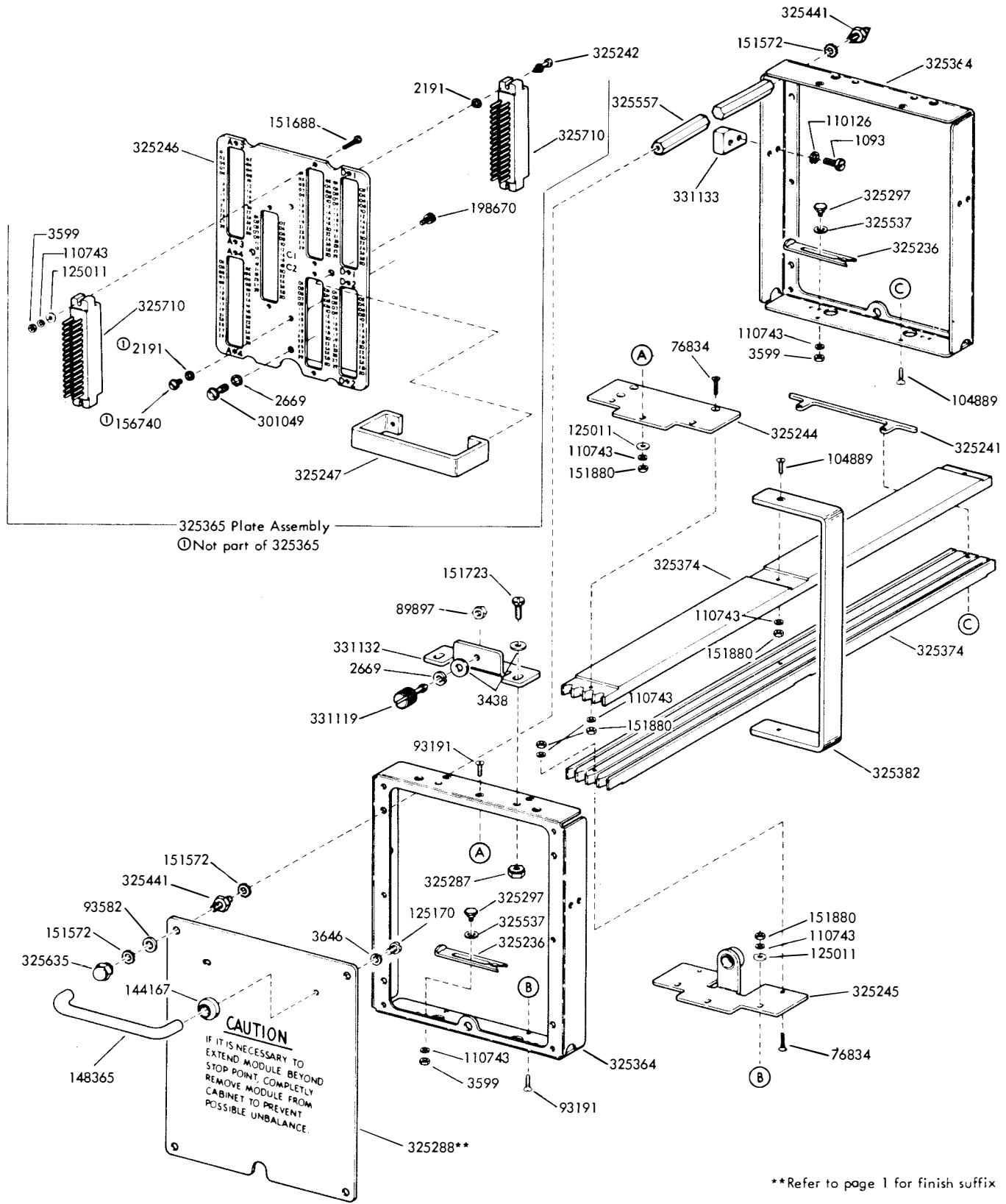


FIGURE 2. REAR CONNECTOR PLATE (PART OF 325730 CABLE ASSEMBLY)



325365 Plate Assembly
 ⓐ Not part of 325365

**Refer to page 1 for finish suffix

FIGURE 3. CHARACTER GENERATOR (DAG)

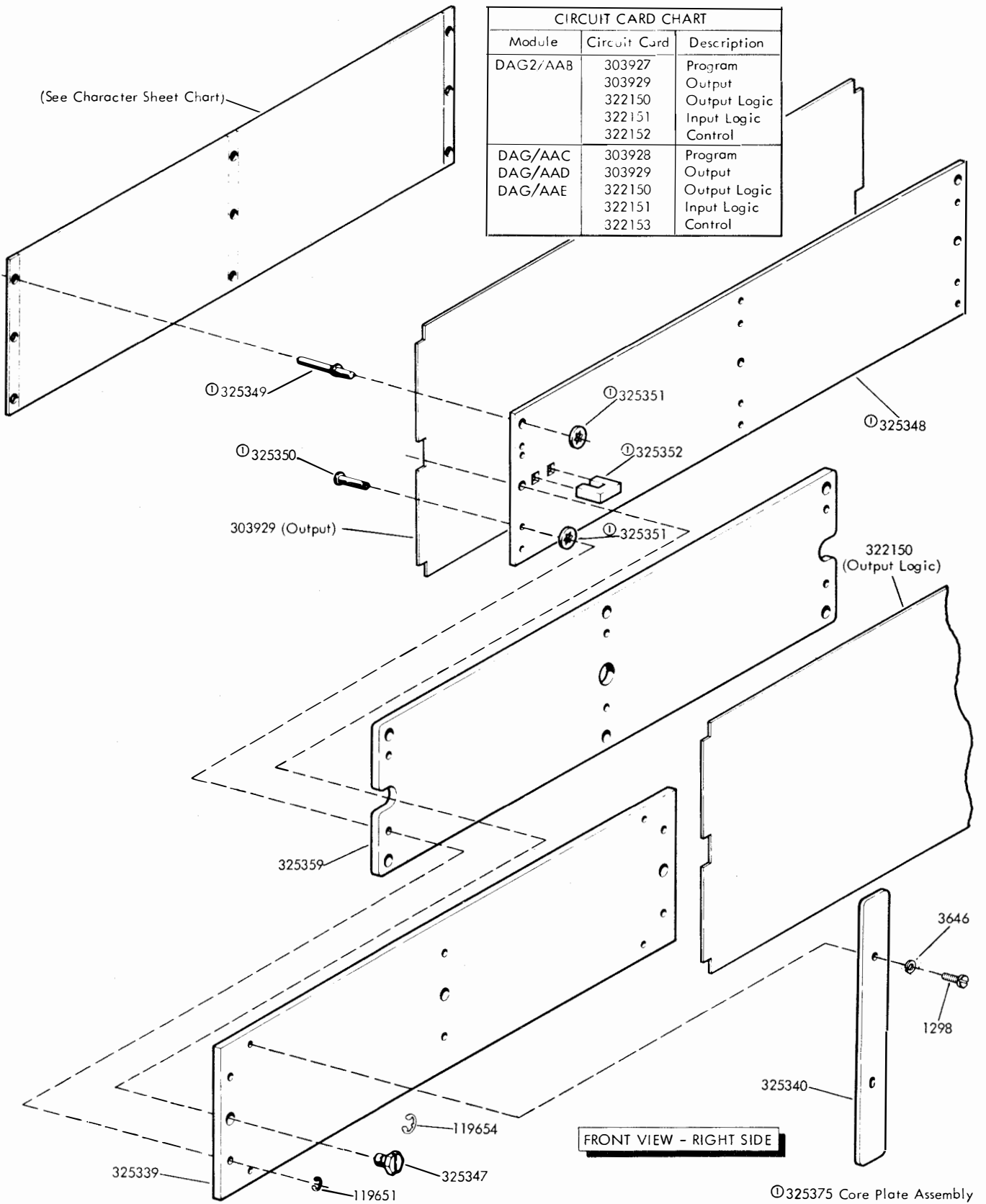


FIGURE 4. CHARACTER GENERATOR (DAG)

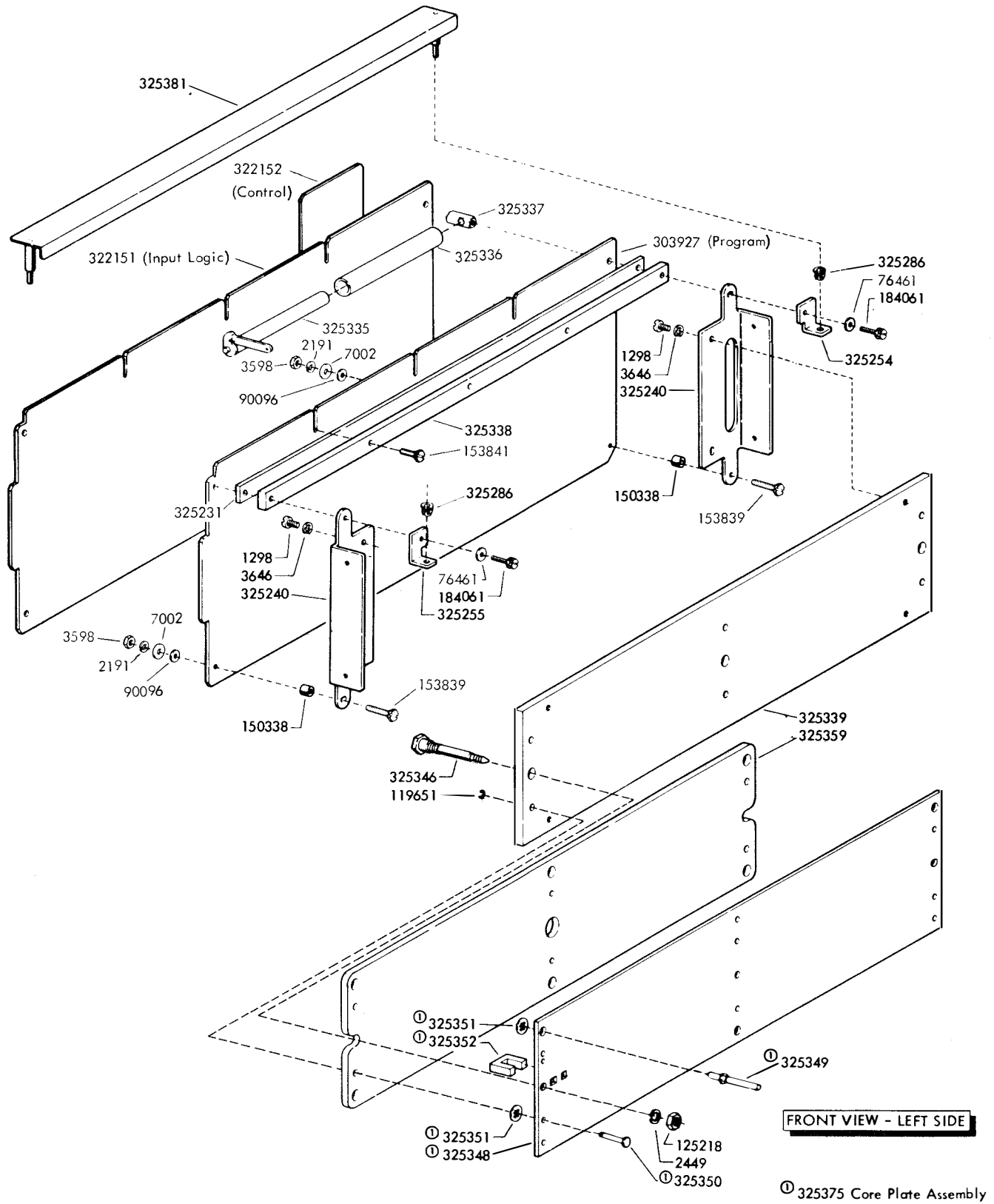


FIGURE 5. CHARACTER GENERATOR (DAG)

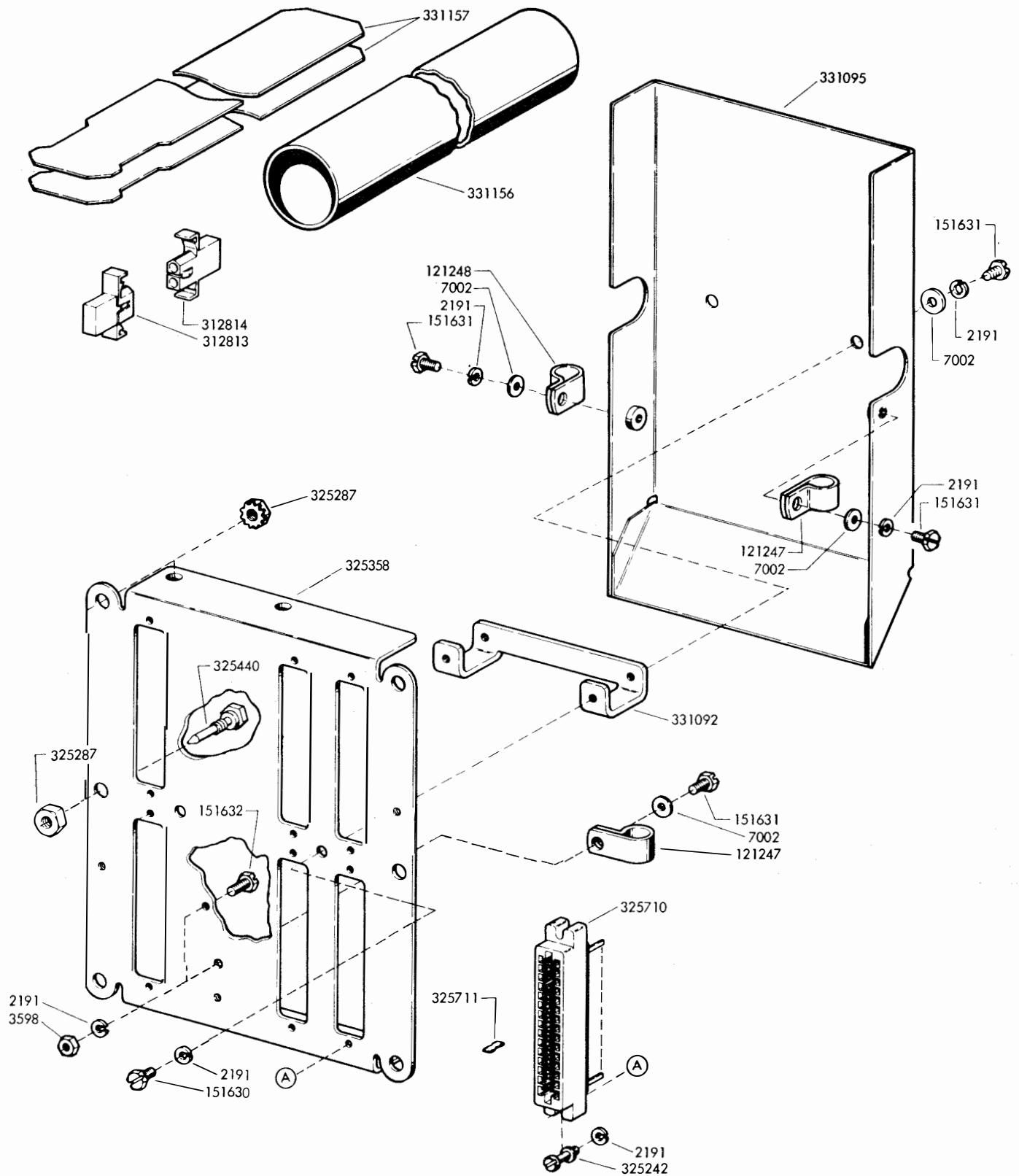
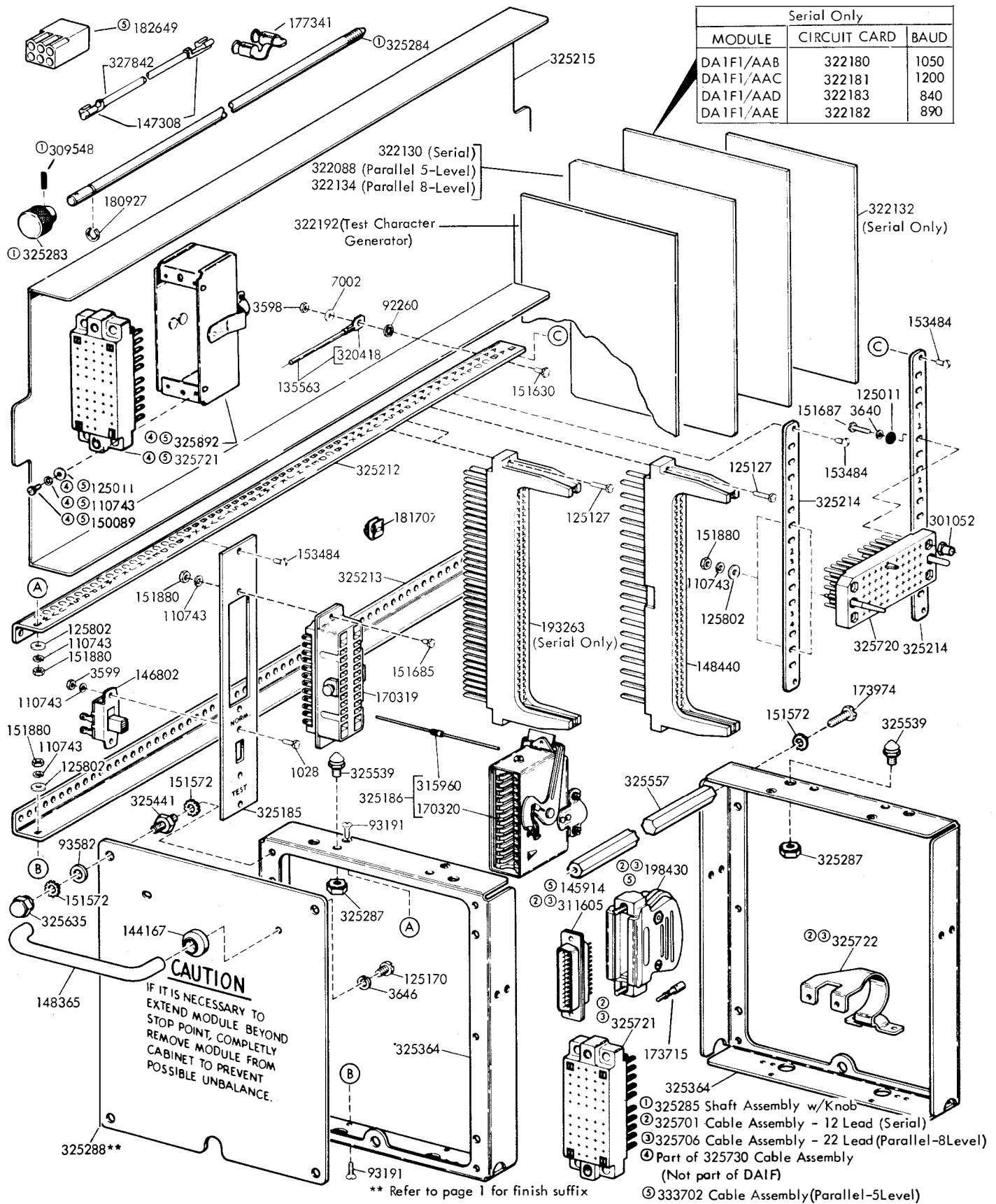


FIGURE 6. REAR CONNECTOR PLATE (PART OF 325730 CABLE ASSEMBLY)

CHARACTER SHEET CHART (ASCII167) - DAG2/AAB							
Part Number	Description	Part Number	Description	Part Number	Description	Part Number	Description
324750	Test	324767	1	324783	A	324799	Q
324751	!	324768	2	324784	B	324800	R
324752	"	324769	3	324785	C	324801	S
324753	#	324770	4	324786	D	324802	T
324754	\$	324771	5	324787	E	324803	U
324755	%	324772	6	324788	F	324804	V
324756	&	324773	7	324789	G	324805	W
324757		324774	8	324790	H	324806	X
324758	(324775	9	324791	I	324807	Y
324759)	324776	:	324792	J	324808	Z
324760	*	324777	;	324793	K	324809	[
324761	+	324778	<	324794	L	324810	\
324762	,	324779	=	324795	M	324811]
324763	-	324780	>	324796	N	324814	^
324764	.	324781	?	324797	O	324815	_
324765	/	324782	@	324798	P		
324766	0						

FIGURE 7. CHARACTER GENERATOR (DAG) CHARACTER SHEET CHART



Serial Only		
MODULE	CIRCUIT CARD	BAUD
DA1F1/AAB	322180	1050
DA1F1/AAC	322181	1200
DA1F1/AAD	322183	840
DA1F1/AAE	322182	890

CAUTION
 IF IT IS NECESSARY TO
 EXTEND MODULE BEYOND
 STOP POINT, COMPLETELY
 REMOVE MODULE FROM
 CABINET TO PREVENT
 POSSIBLE UNBALANCE.

** Refer to page 1 for finish suffix

FIGURE 8. SERIAL AND PARALLEL RECEIVE-ONLY INTERFACE (DAIF)

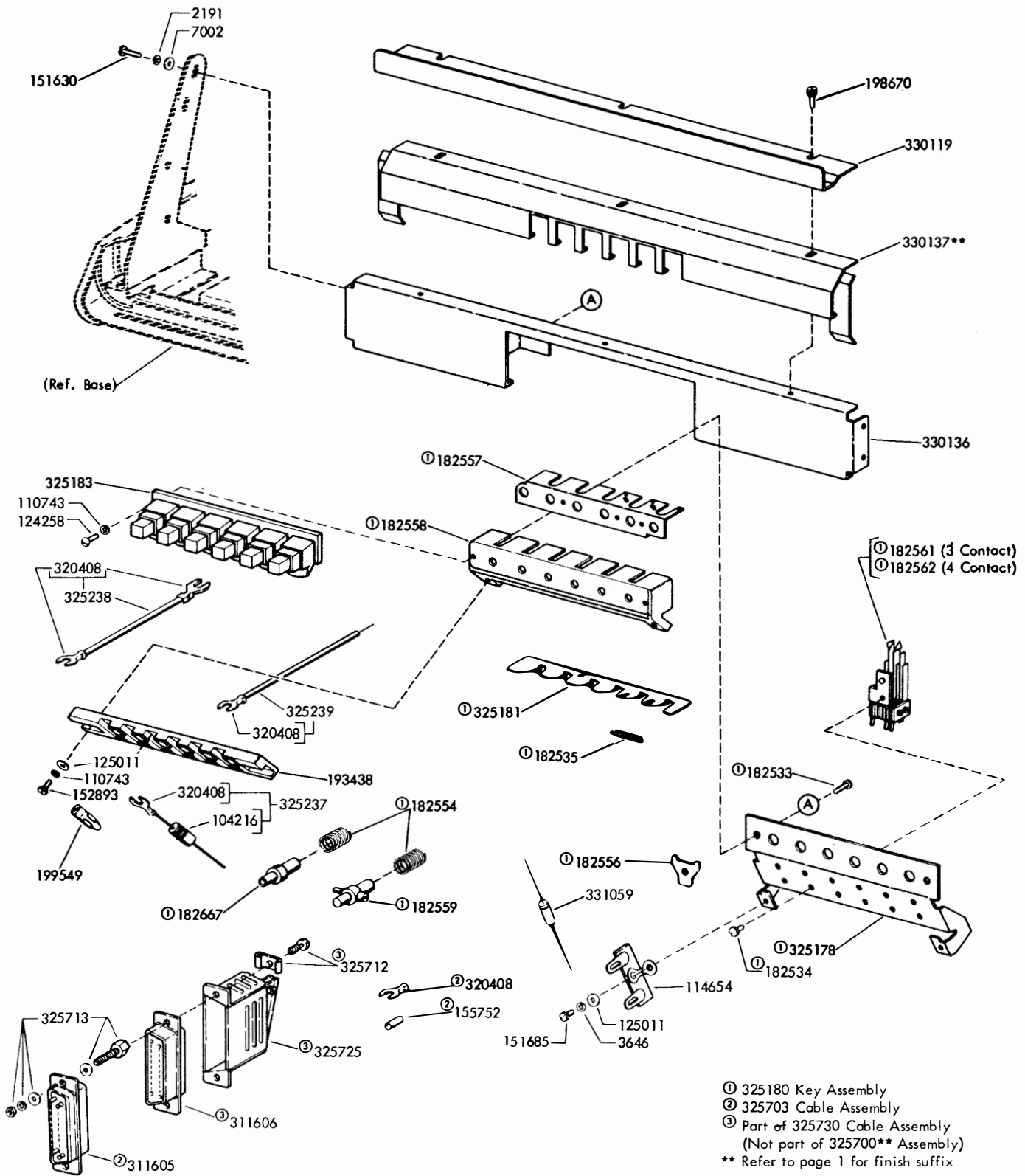


FIGURE 9. 325700** CONTROL PANEL ASSEMBLY

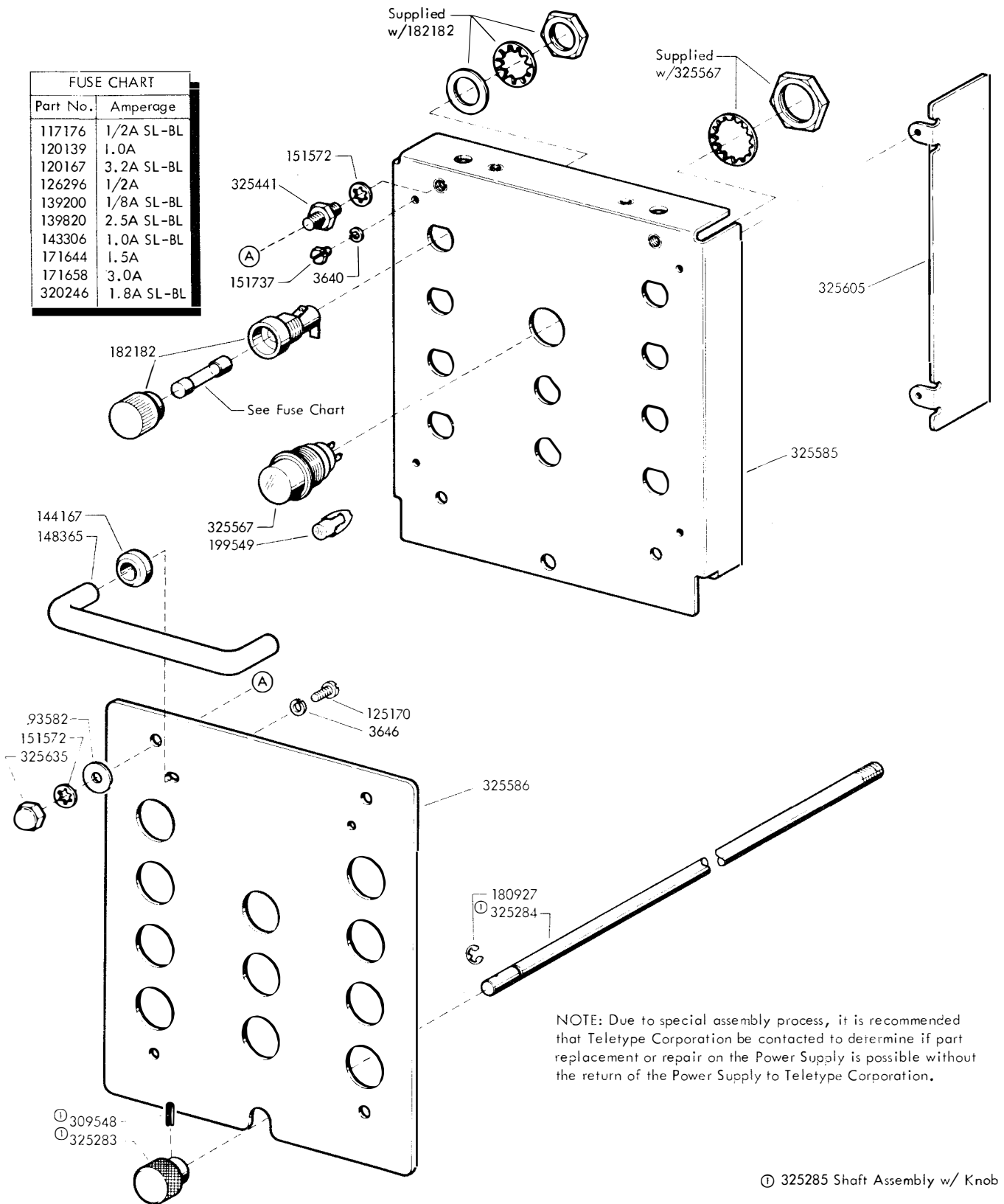


FIGURE 10. MULTIVOLTAGE POWER SUPPLY (DAPS)

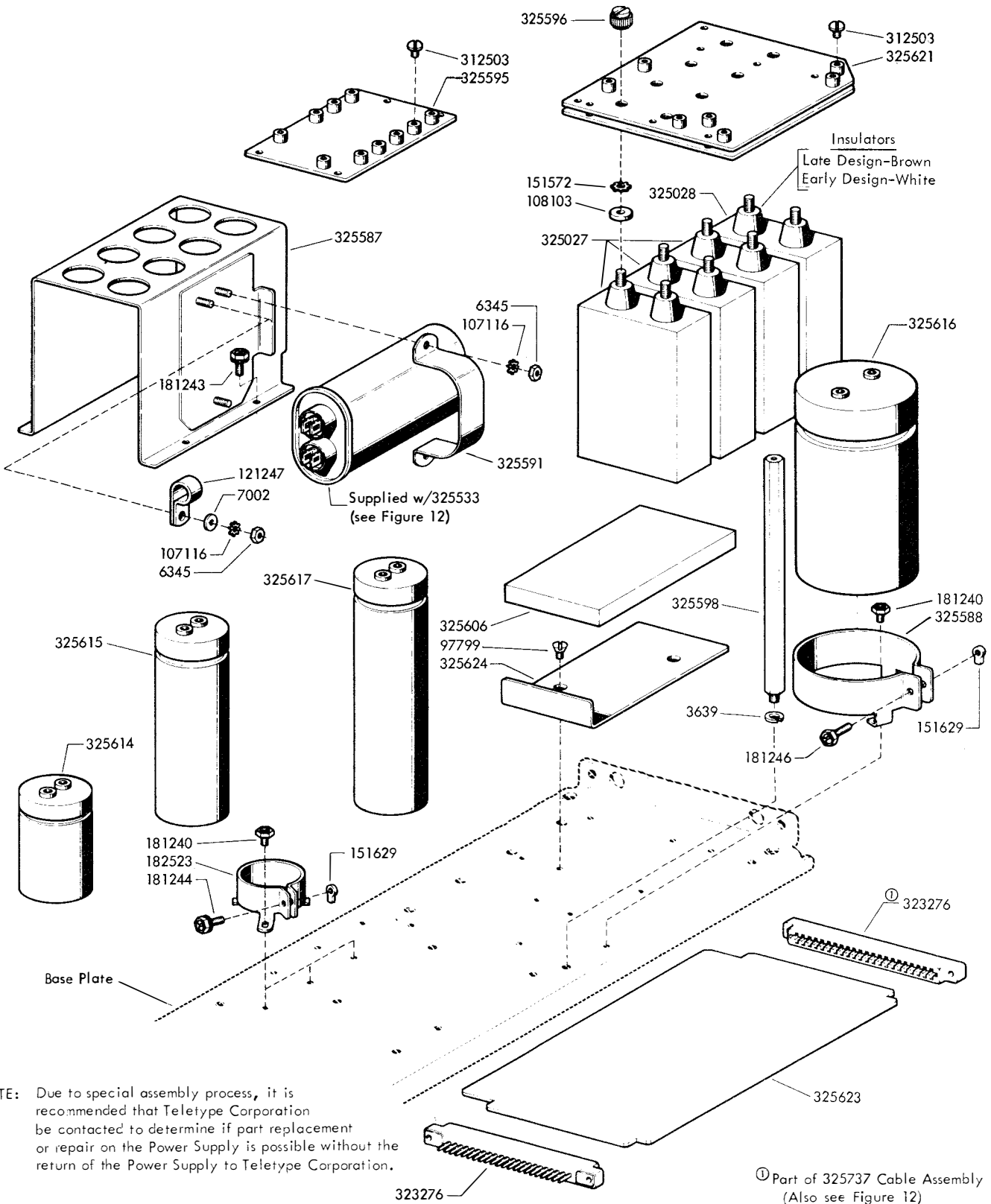


FIGURE 11. MULTIVOLTAGE POWER SUPPLY (DAPS)

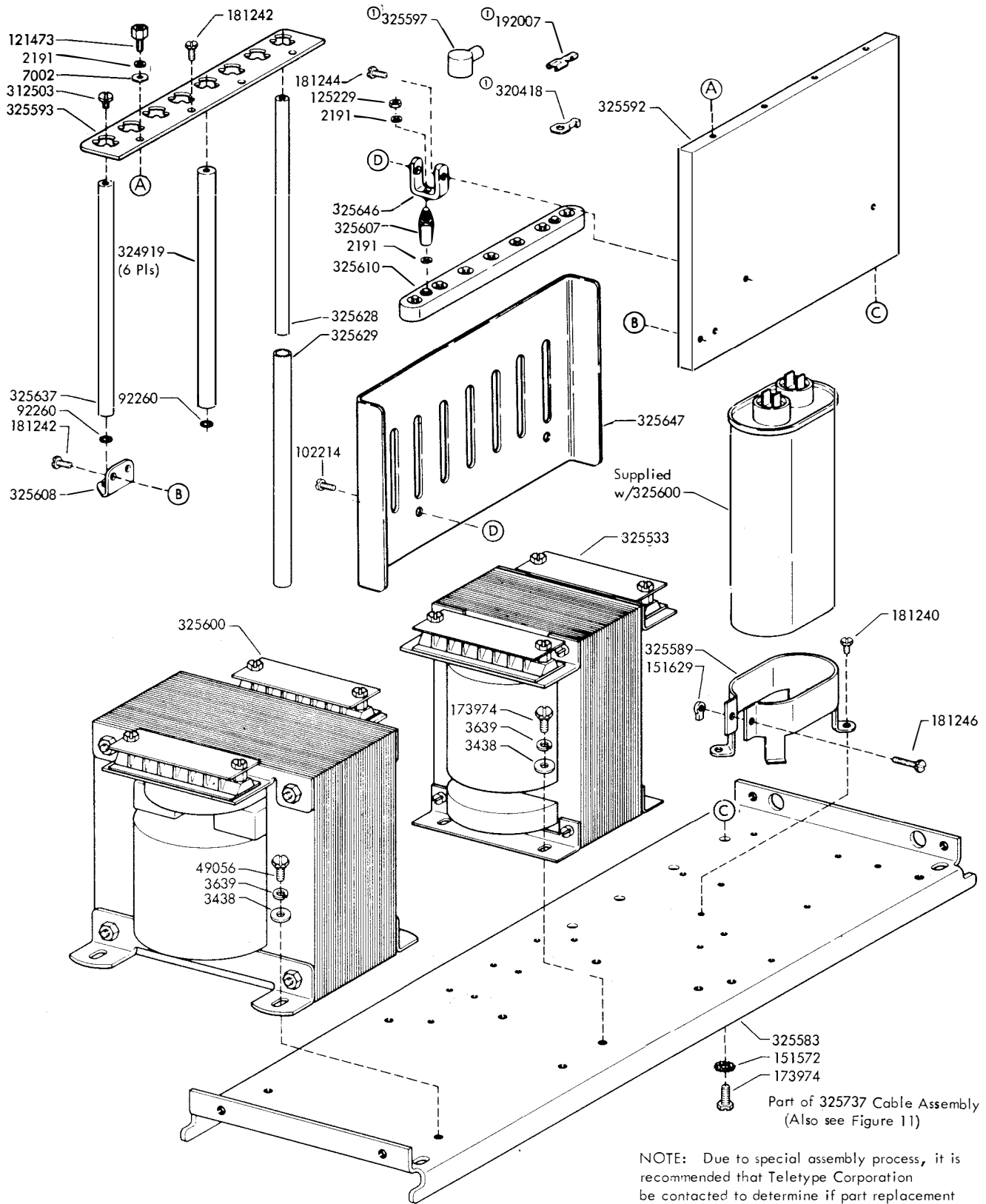
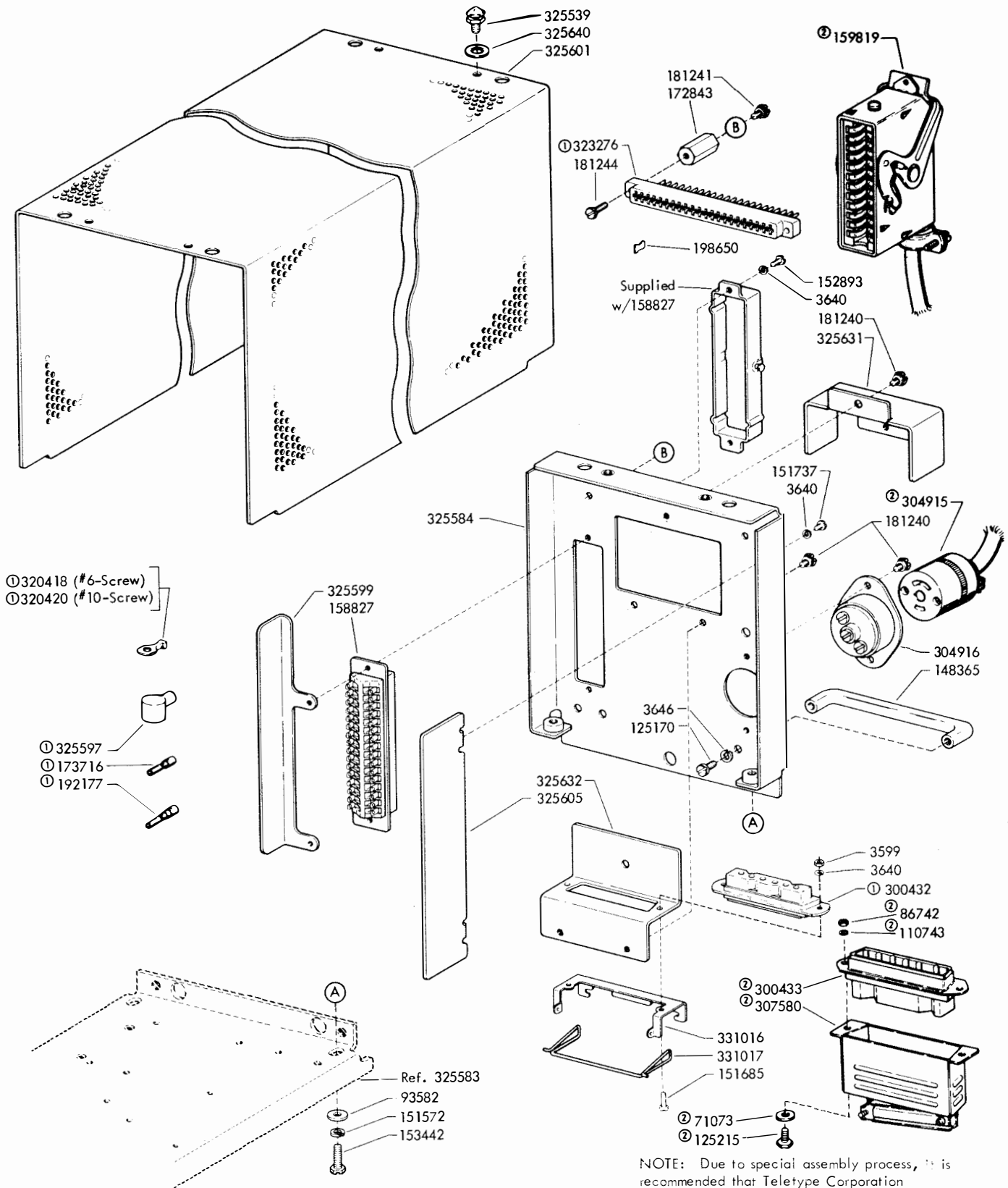


FIGURE 12. MULTIVOLTAGE POWER SUPPLY (DAPS)



NOTE: Due to special assembly process, it is recommended that Teletype Corporation be contacted to determine if part replacement or repair on the Power Supply is possible without the return of the Power Supply to Teletype Corporation.

FIGURE 13. MULTIVOLTAGE POWER SUPPLY (DAPS)

Part of 325709 Cable Assembly
Part of 325730 Cable Assembly
(Not part of Power Supply)

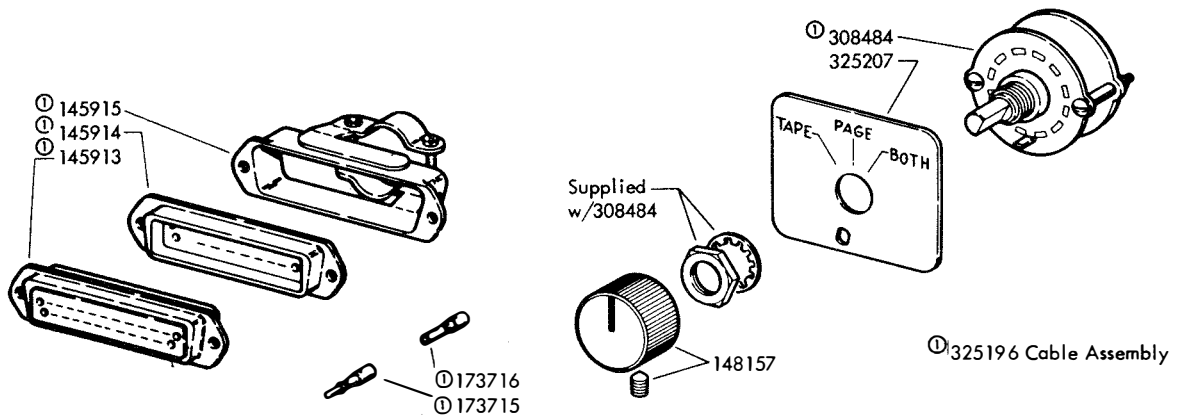


FIGURE 14. 325190 MODIFICATION KIT-TYPE II RECEIVE-ONLY INTERFACE

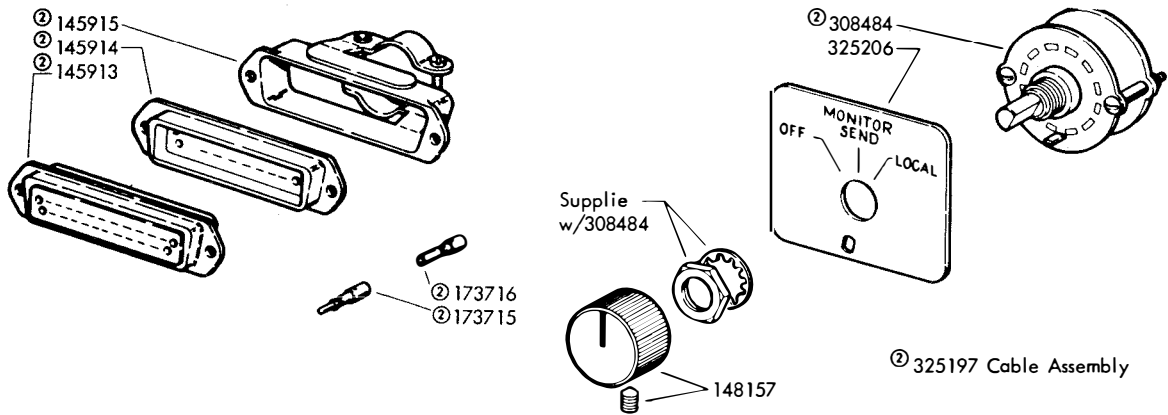


FIGURE 15. 325191 MODIFICATION KIT-TYPE II SEND-ONLY INTERFACE

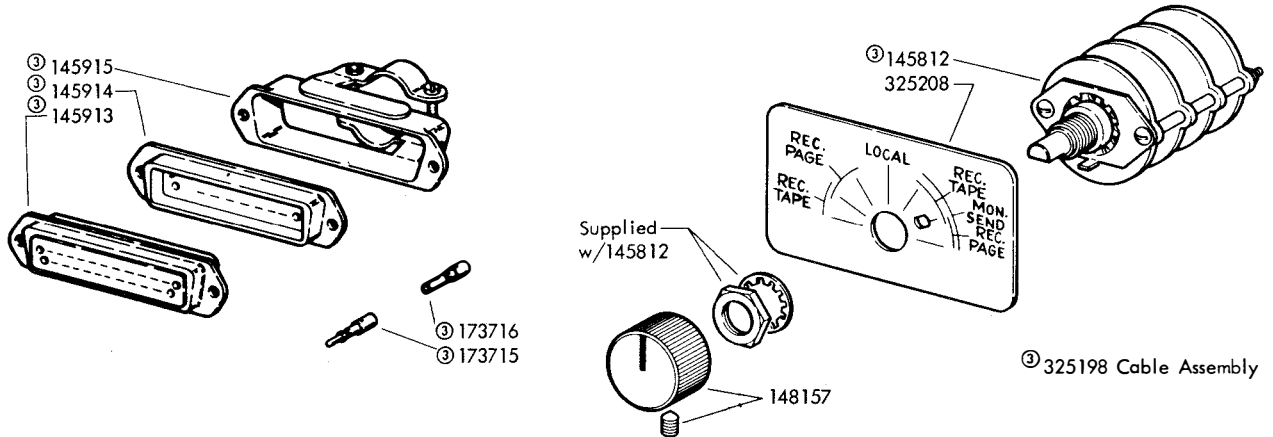


FIGURE 16. 325192 MODIFICATION KIT-TYPE II SEND-RECEIVE INTERFACE

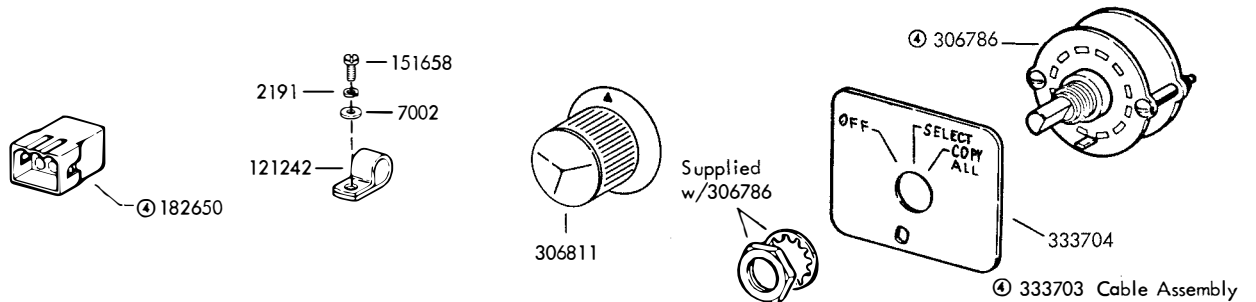


FIGURE 17. 333700 MODIFICATION KIT- 850WPM ROUTING SYSTEM INTERFACE

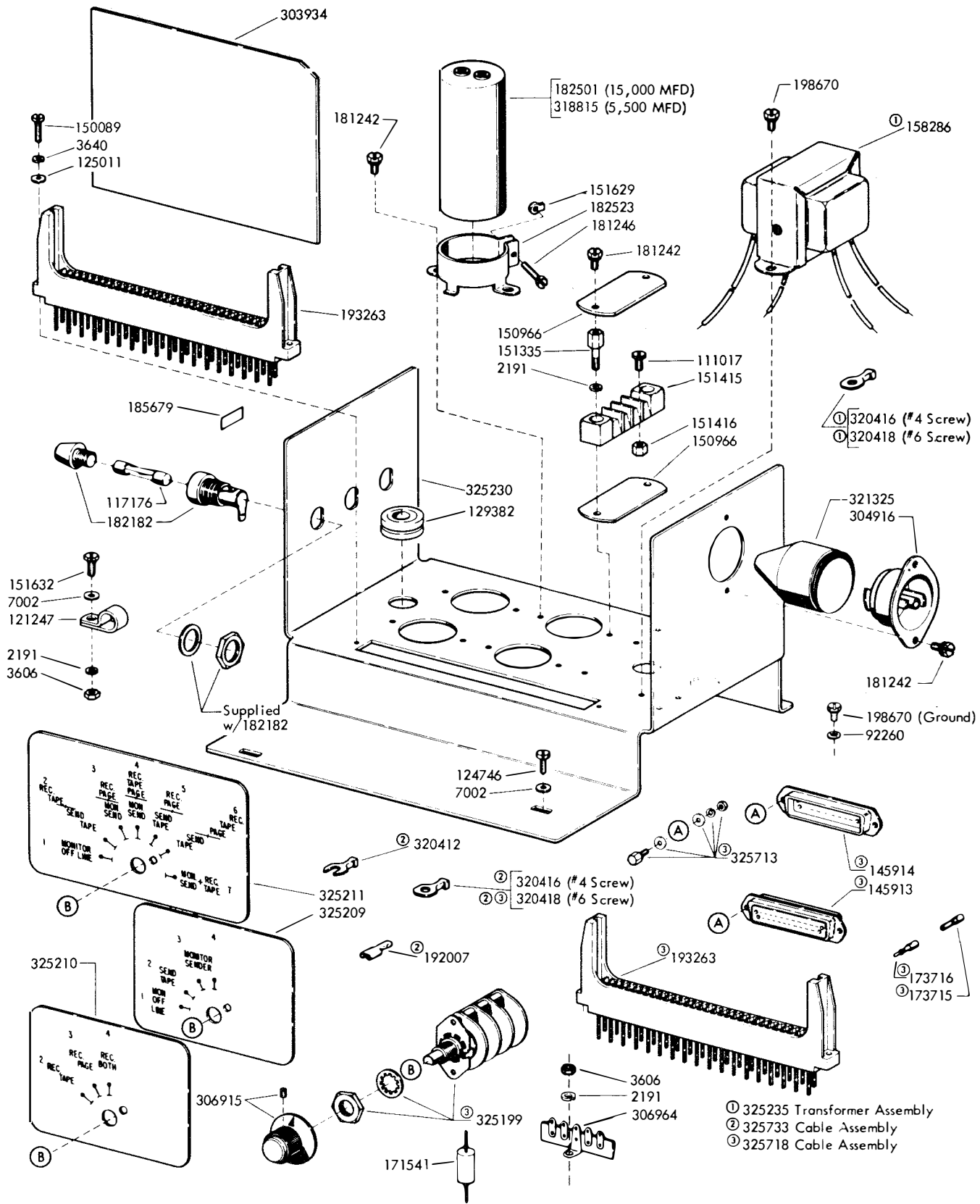


FIGURE 16. 325195 MODIFICATION KIT - TYPE V SEND-RECEIVE INTERFACE

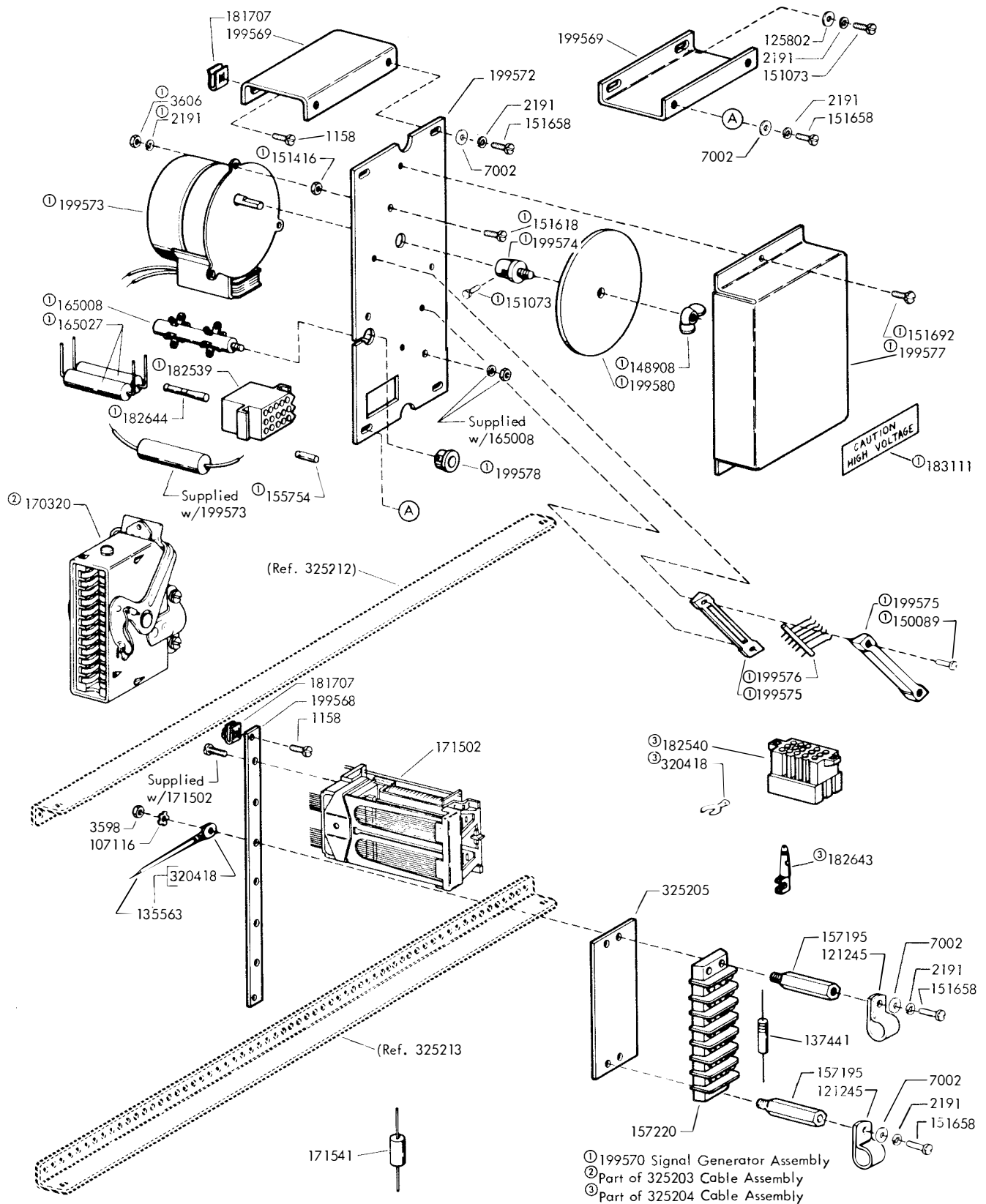
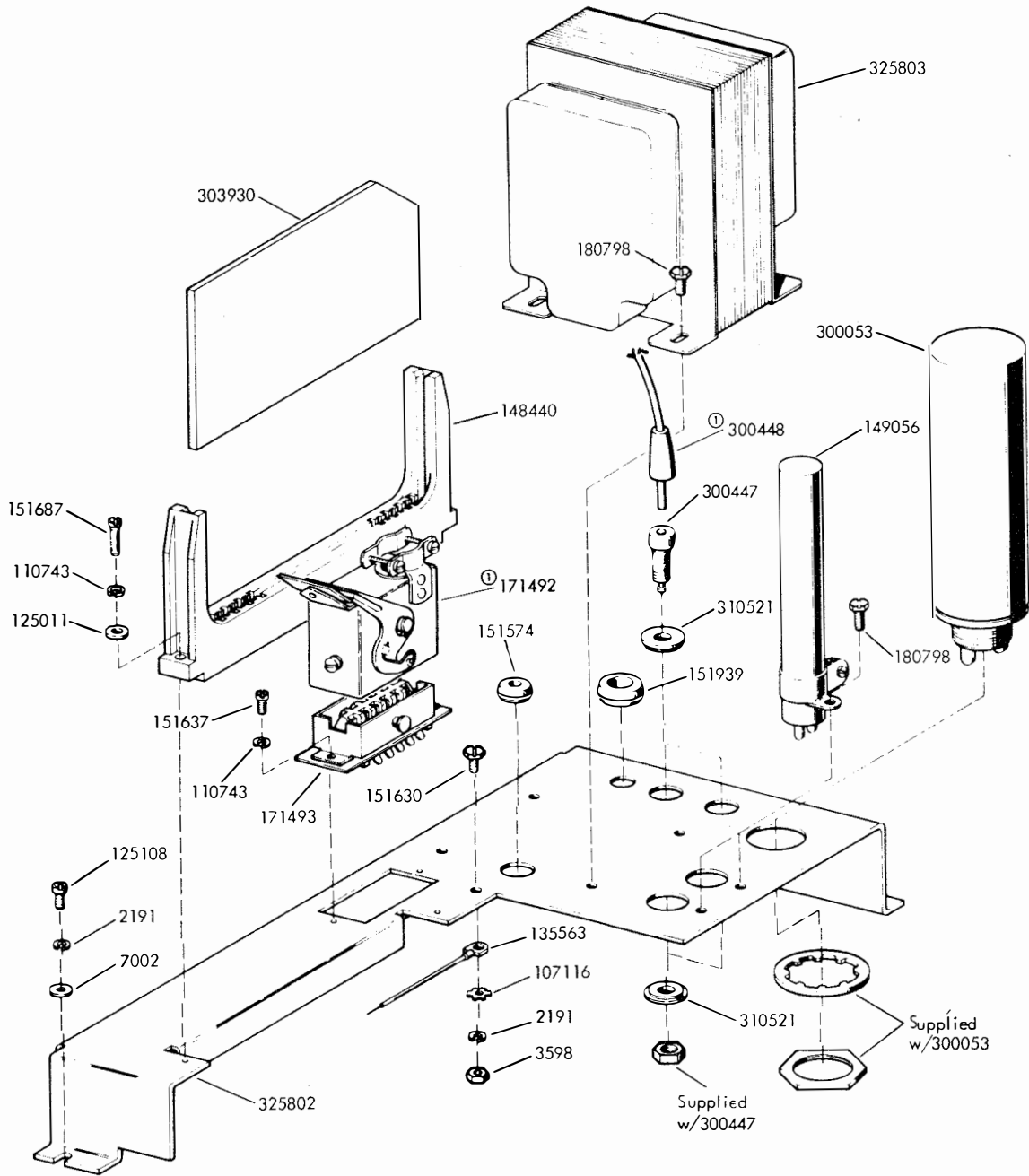


FIGURE 19. 325200 DISCRETE CALLING GENERATOR



① Part of 325730 Cable Assembly
(Not part of 325801 Assembly)

FIGURE 20. 325801 INKHEATER AND LINE FEED ASSEMBLY

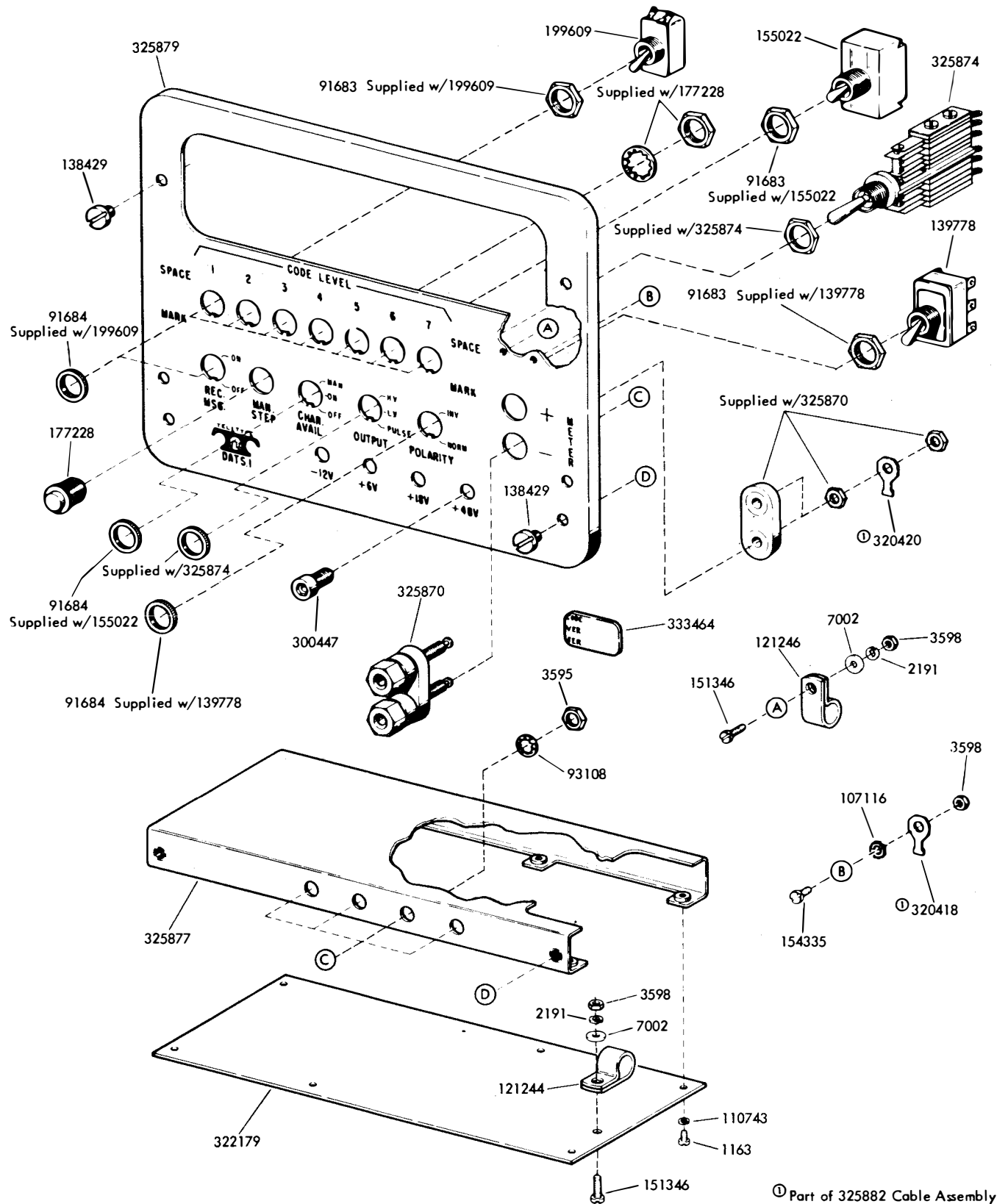


FIGURE 21. "DATASPEED" RECEIVE-ONLY SIMULATOR (DATS) CONTROL PANEL

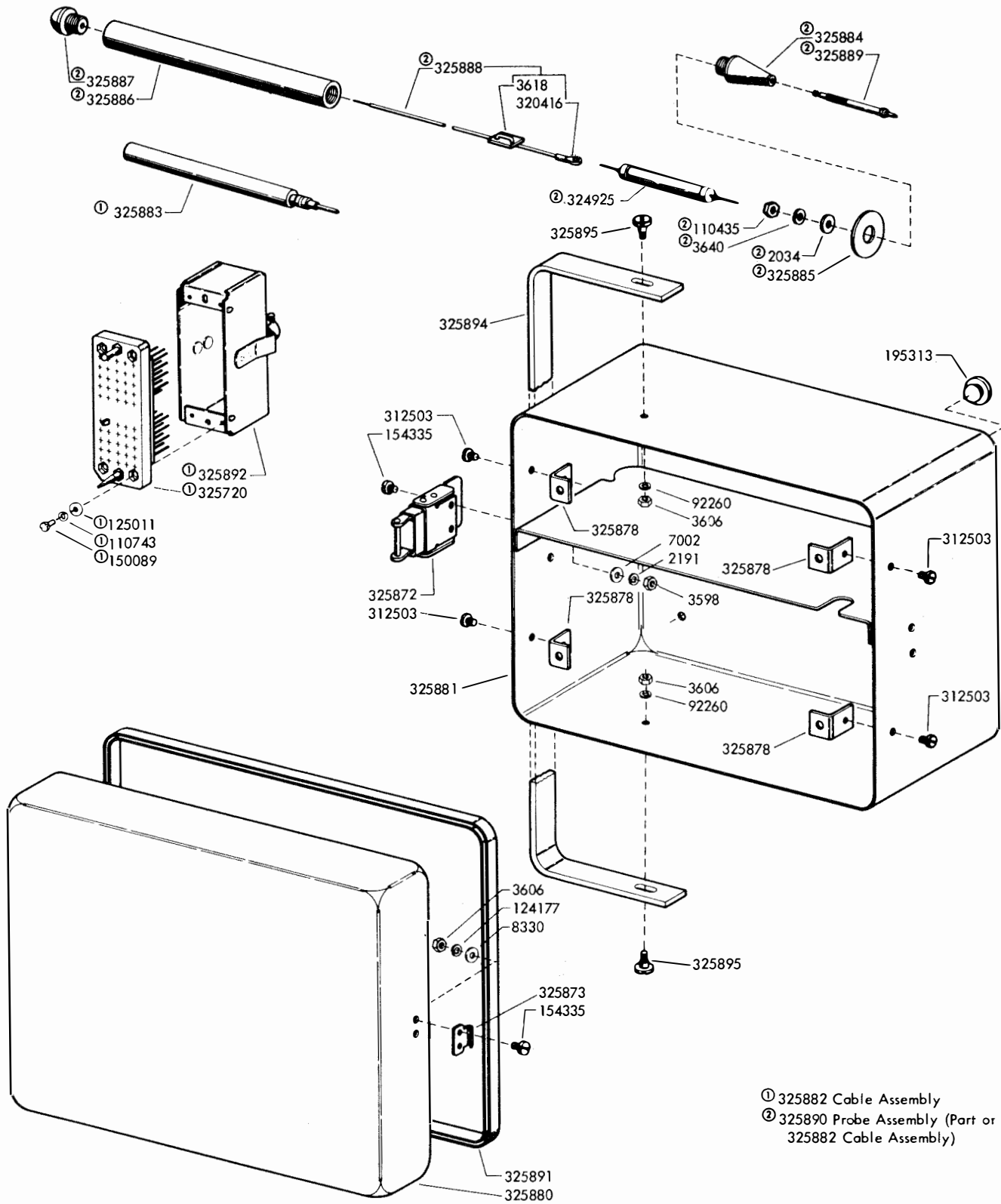


FIGURE 22. "DATASPEED" RECEIVE-ONLY SIMULATOR (DATS) BOX AND COVER

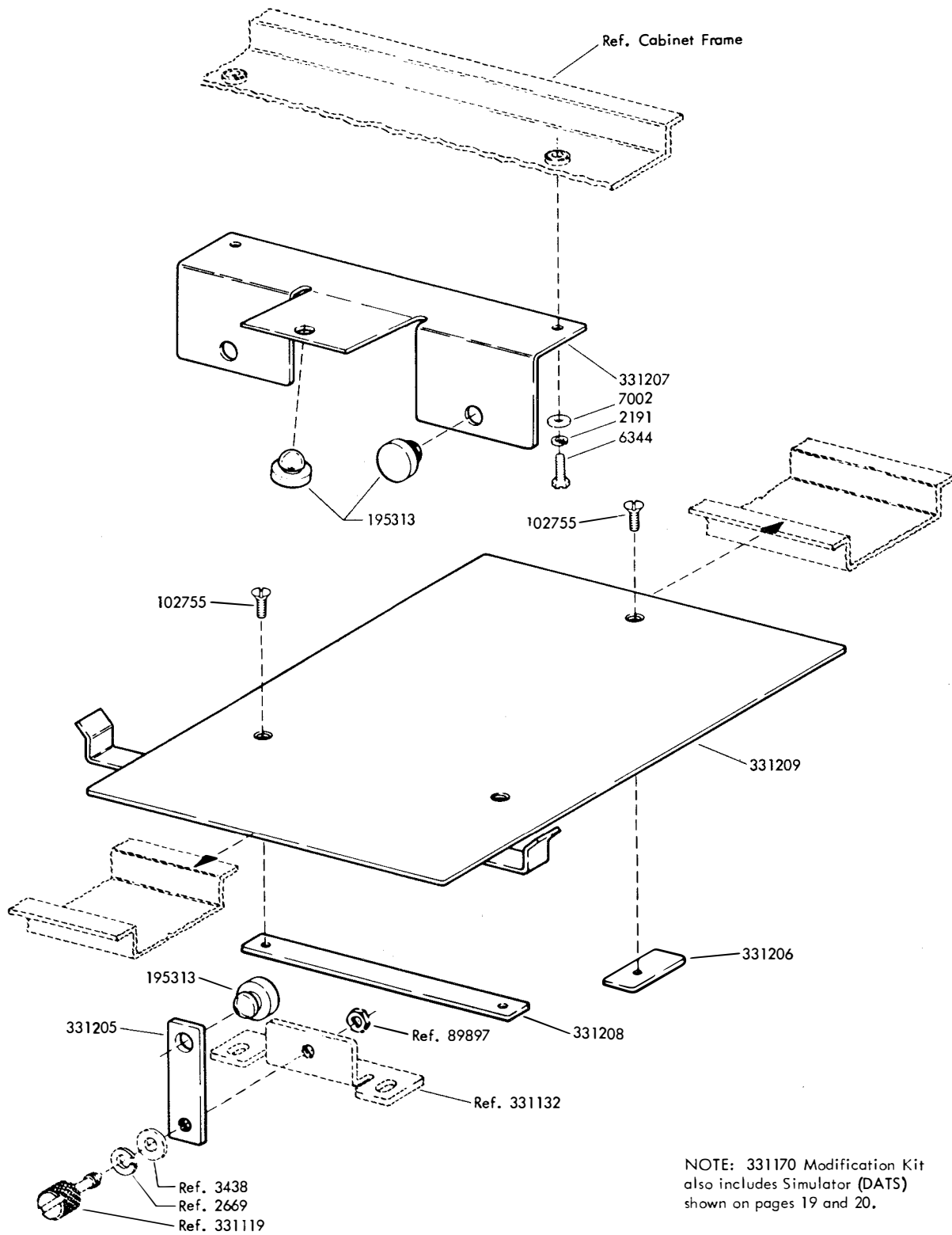


FIGURE 23. 331170 MODIFICATION KIT TO PROVIDE CABINET WITH SIMULATOR (DATS)

NUMERICAL INDEX

Part Number	Description and Page Number	Part Number	Description and Page Number	Part Number	Description and Page Number
1028	Screw, 4-40 x 1/4 Fil 9	104216	Resistor, 820 Ohm 10	139820	Fuse, SL-BL 2.5 Amp 11
1093	Screw, 8-32 x 7/16 Fil 2,4	104889	Screw, 4-40 x 7/16 Flat 2,4	143306	Fuse, SL-BL 1 Amp 11
1158	Screw, 6-32 x 5/16 Fil 17	107116	Lockwasher 12,17,18,19	144167	Ferrule 2,4,9,11
1163	Screw, 4-40 x 3/16 Fil 19	108103	Washer, Flat 12	145812	Switch, Rotary 15
1298	Screw, 8-32 x 1/4 Fil 5,6	110126	Lockwasher 2,4	145913	Connector, 25 Pt Receptacle Type 15,16
2034	Washer, Flat 20	110435	Nut, 4-40 Hex 20	145914	Connector, 25 Pt Plug Type 9,15,16
2191	Lockwasher 2,3,4,6,7,10,13,15 to 21	110743	Lockwasher 2,3,4,9,10,14,18,19,20	145915	Clamp, Cable 15
2449	Lockwasher 6	111017	Screw, 6-40 x 5/16 Fil 16	146802	Switch, SP-ST Slide 9
2669	Lockwasher 2,4,21	114654	Strip, Terminal 10	147308	Terminal, Receptacle Type 9
3438	Washer, Flat 2,4,13,21	117176	Fuse, SL-BL 0.5 Amp 11,16	148157	Knob, Gray 15
3595	Nut, 1/4-32 Hex 19	119651	Ring, Retaining 5,6	148365	Handle 2,4,9,11,14
3598	Nut, 6-40 Hex 3,6,7,9,17 to 20	119654	Ring, Retaining 5	148440	Connector, 36 Pt Circuit Card 9,18
3599	Nut, 4-40 Hex 2,3,4,9,14	120139	Fuse, 1 Amp 11	148908	Nut, 10-32 Wing 17
3606	Nut, 6-40 Hex 16,17,20	120167	Fuse, SL-BL 3.2 Amp 11	149056	Resistor, 25 Ohm 18
3618	Insulator, .062" Thk 20	121242	Clamp, 1/8 ID Cable 15	150089	Screw, 4-40 x 1/2 Fil 9,16,17,20
3639	Lockwasher 12,13	121244	Clamp, 1/4 ID Cable 19	150338	Spacer 6
3640	Lockwasher 9,11,14,16,20	121245	Clamp, 5/16 ID Cable 17	150966	Insulator, Terminal Block 16
3646	Lockwasher 2,4,5,6,9,10,11,14	121246	Clamp, 3/8 ID Cable 19	151073	Screw, 4-40 x 5/32 Fil 17
6344	Screw, 6-32 x 11/32 Hex 21	121247	Clamp, 7/16 ID Cable 7,12,16	151335	Stud 16
6345	Nut, 6-32 Hex 12	121248	Clamp, 1/2 ID Cable 3,7	151346	Screw, 6-40 x 3/8 Fil 19
7002	Washer, Flat 3,6,7,9,10,12,13,15 to 21	121249	Clamp, 5/8 ID Cable 3	151415	Block, Terminal 16
8330	Washer, Flat 20	121473	Post 13	151416	Nut, 6-40 Hex 16,17
49056	Screw, 10-32 x 7/8 Hex 13	124177	Lockwasher 20	151572	Lockwasher 2,4,9,11,12,13,14
71073	Washer, Flat 14	124258	Screw, 4-40 Shoulder 10	151574	Grommet, Rubber 18
76461	Washer, Flat 6	124746	Screw, 6-32 SPL 16	151618	Screw, 6-40 x 7/16 Fil 17
76834	Screw, 4-40 x 3/8 Flat 2,3,4	125011	Washer, Flat 2,4,9,10,16,18,20	151629	Nut, 6-40 Lug 12,13,16
86742	Nut, 4-40 Hex 14	125015	Washer, Flat 3	151630	Screw, 6-40 x 1/4 Hex 3,7,9,10,18
89897	Nut, 10-32 Hex 2,4,21	125108	Screw, 6-32 x 3/8 Fil 18	151631	Screw, 6-40 x 5/16 Hex 3,7
90096	Washer, Insulating 6	125127	Screw, 6-32 x 7/16 Fil 9	151632	Screw, 6-40 x 3/8 Hex 3,7,16
91683	Nut, 15/32-32 Hex 19	125170	Screw, 8-32 x 5/16 Fil 2,4,9,11,14	151637	Screw, 4-40 x 1/4 Fil 18
91684	Nut, 15/32-32 Ring 19	125215	Screw, 4-40 x 3/16 Hex 14	151658	Screw, 6-40 x 5/16 Fil 15,19
92260	Lockwasher 9,13,16,20	125218	Nut, 1/4-32 Hex 6	151685	Screw, 4-40 x 5/16 Fil 9,10,14
93108	Lockwasher 19	125229	Nut, 6-32 Hex 13	151687	Screw, 4-40 c 7/16 Fil 9,18
93191	Screw, 4-40 x 5/16 Flat 2,4,9	125802	Washer, Flat 9,17	151688	Screw, 4-40 x 5/8 Fil 4
93582	Washer, Flat 2,4,9,11,14	126296	Fuse, .5 Amp 11	151692	Screw, 6-40 x 3/16 Fil 17
97799	Screw, 6-40 x 9/64 Flat 12	129382	Grommet, Rubber 16	151723	Screw, 10-32 x 3/8 Hex 2,4
102214	Screw, 6-40 x 13/64 Flat 13	135563	Jumper, 2-3/4" Green 9,17,18		
102755	Screw, 6-40 x 7/16 Flat 21	137441	Resistor, 1,200 Ohm 17		
		138429	Screw, 10-32 x 1/4 Spl 19		
		139200	Fuse, 1/8 Amp 11		
		139555	Spring 2		
		139778	Switch, DP-DT Toggle 19		

NUMERICAL INDEX (Continued)

Part Number	Description and Page Number	Part Number	Description and Page Number	Part Number	Description and Page Number
151737	Screw, 4-40 x 11/64 Hex 11,14	180927	Ring, Retaining 9,11	193263	Connector, 72 Pt Circuit Card 9,16
151880	Nut, 4-40 Hex 2,4,9	181240	Screw w/Lockwasher, 6-40 x 3/16 Hex 12,13,14	193438	Strip, Lamp 10
151939	Grommet, Rubber 18	181241	Screw w/Lockwasher, 6-40 x 1/4 Hex 14	195313	Bumper, Rubber 20,21
152893	Screw, 4-40 x 1/4 Hex 3,10,14	181242	Screw w/Lockwasher, 6-40 x 1/4 Hex 13,16	198430	Clamp, Cable 9
153442	Screw, 10-32 x 1/2 Hex 14	181243	Screw w/Lockwasher, 6-40 x 3/8 Hex 12	198650	Key, Polarizing 14
153484	Screw, 6-32 SPL 9	181244	Screw w/Lockwasher, 6-40 x 3/16 Hex 12,13,14	198670	Screw w/Lockwasher, 6-40 x 5/16 Hex 4,10,16
153839	Screw, 6-40 x 5/8 Hex 6	181246	Screw w/Lockwasher, 6-40 x 5/8 Hex 12,13,16	199549	Lamp, 48 V 10,11
153841	Screw, 6-40 x 9/16 Hex 6	181707	Nut, Speed 9,17	199568	Bracket, Relay Mounting 17
154335	Screw, 6-40 x 9/32 Fil 19,20	182182	Holder, Fuse 11,16	199569	Bracket 17
155022	Switch, DP-DT Toggle 19	182501	Capacitor, 1,500 MFD 16	199570	Generator Assembly, Signal 17
155752	Sleeve, 5/64 ID x 1/2" Lg Insulating 10	182523	Clamp, 1-3/8" ID Mounting 12,16	199572	Plate, Mounting 17
155754	Sleeve, 1/16 ID x 1/2" Lg Insulating 17	182533	Screw, 6-32 x 5/16 Rd 10	199573	Motor w/Capacitor, 117 V AC Synchronous 17
156740	Screw, 6-40 x 7/32 Hex 4	182534	Screw, 4-40 SPL 10	199574	Hub 17
157195	Stud 17	182535	Spring 10	199575	Holder, Brush 17
157220	Block, Terminal 17	182539	Connector, 15 Pt Receptacle Type 17	199576	Brush, Contact 17
158286	Transformer 16	182540	Connector, 15 Pt Plug Type 17	199577	Cover 17
158827	Connector, 32 Pt Receptacle 14	182554	Spring, Compression 10	199578	Bushing, Snap 17
159808	Screw, 6-40 Captive 2	182556	Lockout 10	199580	Disc, Coding 17
159819	Connector, 32 Pt Plug 14	182557	Bracket 10	199609	Switch, SP-ST Toggle 19
161291	Bushing 2	182558	Frame 10	300053	Capacitor, 100 MFD 18
165008	Turret, Terminal 17	182559	Plunger 10	300432	Connector, 10 Pt Receptacle Type 3,14
165027	Network, Spark Suppression 17	182561	Contact Assembly 10	300433	Connector, 10 Pt Plug Type 3,14
170319	Connector, 24 Pt Plug 9	182562	Contact Assembly 10	300447	Jack, White Tip 18,19
170320	Connector, 24 Pt Receptacle 9,17	182562	Terminal, Plug Type 3,17	300448	Plug, White Tip 18
171492	Connector, 16 Pt Receptacle 18	182643	Terminal, Receptacle Type 3,17	300469	Tube, Electronic 2
171493	Receptacle, 16 Pt Plug 18	182644	Connector, 9 Pt Receptacle Type 3	300574	Cap 2
171502	Relay 17	182645	Connector, 9 Pt Plug Type 3	301049	Screw, 10-32 Captive 4
171541	Diode 16,17	182646	Connector, 6 Pt Receptacle Type 9	301052	Bushing 9
171644	Fuse, 1.5 Amp 11	182649	Connector, 6 Pt Plug Type 15	303927	Board, Program 5,6
171658	Fuse, 3 Amp 11	182667	Plunger 10	303928	Board, Program 5
172843	Post 14	183111	Label 17	303929	Board, Program 5
173715	Terminal, Plug Type 9,15,16	184061	Screw w/Lockwasher, 6-40 x 5/8 Hex 6	303930	Card, Circuit 18
173716	Terminal, Receptacle Type 14,15,16	185679	Plate, Identification 16	303934	Card, Circuit 16
173974	Screw, 10-32 x 5/16 Hex 9,13	192007	Terminal, Tab Type 13,16	304915	Connector, 2 Pt Receptacle 14
177228	Switch, Black Pushbutton 19	192177	Terminal, Receptacle Type 14	304916	Connector, 2 Pt Plug 14,16
180798	Screw, 8-32 Self-Tapping 18			306786	Switch, 3 Pole Rotary 15
				306811	Knob 15
				306915	Dial 16
				306964	Strip, Terminal 16
				307580	Shell 3,14
				308484	Switch, Rotary 15

NUMERICAL INDEX (Continued)

Part Number	Description and Page Number	Part Number	Description and Page Number	Part Number	Description and Page Number
309548	Pin, Roll 9,11	324919	Resistor, 810K Ohm 13	325252	Bracket 2
310521	Bushing 18	324925	Resistor, 100 Meg Ohm 20	325253	Bushing 2
311605	Connector, 25 Pt Plug 9,10	325027	Capacitor, 1 MFD 12	325254	Bracket, Right 6
311606	Connector, 25 Pt Receptacle 10	325028	Capacitor, 2 MFD 12	325255	Bracket, Left 6
312503	Screw, 6-32 x 3/16 Spl 12,13,20	325178	Plate, Base 10	325283	Knob 9,11
312813	Connector, Plug Type 7	325180	Key Assembly 10	325284	Shaft 9,11
312814	Connector, Receptacle Type 7	325181	Latchbar 10	325285	Shaft w/Knob 9,11
315960	Resistor, 5600 Ohm 9	325183	Block w/Buttons 10	325286	Clip, Speed 6
318815	Capacitor, 5500 MFD 16	325185	Strip, Mounting 9	325287	Nut w/Lockwasher, 10-32 Hex 2,3,4,7,9
320246	Fuse, SL-BL 1.8 AMP 11	325186	Plug Assembly, Jumper 9	325288**	Cover, Front 2,4,9
320408	Terminal, Spade Type 10	325190	Modification Kit 1,15	325297	Screw, 4-40 Shoulder 2,4
320410	Terminal, Spade Type 3	325191	Modification Kit 1,15	325335	Eccentric w/Lever 6
320412	Terminal, Spade Type 16	325192	Modification Kit 1,15	325336	Sleeve, Rubber 6
320416	Terminal, Ring Type 16,20	325195	Modification Kit 1,16	325337	Post 6
320418	Terminal, Ring Type 3,9, 13,14,16,17,19	325196	Cable Assembly 15	325338	Plate, Backing 6
320420	Terminal, Ring Type 14,19	325197	Cable Assembly 15	325339	Base 5,6
321325	Cover, Connector 16	325198	Cable Assembly 15	325340	Bracket 5
322088	Card, Circuit 9	325199	Switch, Rotary 16	325346	Post, Locating 6
322130	Card, Circuit 9	325200	Generator Assembly, Discrete Calling 1,17	325347	Nut, Captive Hex 5
322132	Card, Circuit 9	325203	Cable Assembly 17	325348	Plate, Locating 5,6
322134	Card, Circuit 9	325204	Cable Assembly 17	325349	Post 5,6
322145	Board, Program 2	325205	Insulator, Terminal Block 17	325350	Stud 5,6
322146	Card Assembly, Circuit 2,3	325206	Plate, Instruction 15	325351	Nut, Speed 5,6
322150	Card, Circuit 5	325207	Plate, Instruction 15	325352	Core 5,6
322151	Card, Circuit 5,6	325208	Plate, Instruction 15	325358	Plate, Connector Mounting 3,7
322152	Card, Circuit 5,6	325209	Plate, Instruction 16	325359	Pad 5,6
322153	Card, Circuit 5	325210	Plate, Instruction 16	325364	Pnael 2,4,9
322179	Card, Circuit 19	325211	Plate, Instruction 16	325365	Plate Assembly 4
322180	Card, Circuit 9	325212	Rail, Upper 9,17	325374	Guide, Card 2,4
322181	Card, Circuit 9	325213	Rail, Lower 9,17	325375	Plate Assembly 5,6
322182	Card, Circuit 9	325214	Strip, Connector Mounting 9	325381	Cover 6
322183	Card, Circuit 9	325215	Cover 9	325382	Bracket, Center Support 2,4
322192	Card, Circuit 9	325230	Chassis 16	325435	Shield 2
323276	Connector, 22 Pt Circuit Card 12,14	325231	Insulator 6	325439	Stud 2
324750	thru	325235	Transformer 16	325440	Stud, Locating 3,7
324811	Sheet, Character 8	325236	Latch 2,4	325441	Post 2,4,9,11
324814	Sheet, Character 8	325237	Resistor Assembly 10	325442	Post 3
324815	Sheet, Character 8	325238	Jumper, 3" Black 10	325533	Transformer w/Matched Capacitor 12,13
324816	Sheet, Character 8	325239	Jumper, 3" Black 10	325537	Washer, Spring 2,4
324818	thru	325240	Bracket 6	325539	Stud 9,14
324836	Sheet, Character 8	325241	Plate, Stop 2,4	325557	Spacer 2,4,9
		325242	Screw, 6-40 Shoulder 3, 4,7	325567	Holder, Lamp 11
		325244	Bracket 2,4	325583	Plate, Base 13,14
		325245	Bracket 4	325584	Plate, Rear 14
		325246	Plate, Connector 4	325585	Plate, Front 11
		325247	Handle 4	325586	Cover, Front 11

**Refer to page 1 for finish suffix

NUMERICAL INDEX (Continued)

Part Number	Description and Page Number	Part Number	Description and Page Number	Part Number	Description and Page Number
325587	Housing w/Plate 12	325701	Cable Assembly 9	325885	Guard 20
325588	Clamp 12	325703	Cable Assembly 10	325886	Handle 20
325589	Clamp 13	325705	Cable Assembly 3	325887	Cap 20
325591	Strap 12	325706	Cable Assembly 9	325888	Strap 20
325592	Sink, Heat 13	325708	Cable Assembly 14	325889	Pin 20
325593	Guide 13	325710	Connector, 30 Pt Circuit Card 3,4,7	325890	Probe Assembly 20
325595	Card, Circuit 12	325711	Key, Polarizing 3,7	325891	Gasket 20
325596	Nut, 10-32 Cap 12	325712	Lock Assembly, Screw 10	325892	Shell, Connector 9,20
325597	Cap, Terminal 13,14	325713	Lock, Screw 10,16	325894	Handle, Plastic 20
325598	Post 12	325714	Lock Assembly, Screw 3	325895	Screw, 6-40 Shoulder 20
325599	Guide, Cable 14	325718	Cable Assembly 16	327842	Jumper, 6" Lg 9
325600	Transformer w/Matched Capacitor 13	325720	Connector, 50 Pt Plug 9,20	330119	Strip, Identification 10
325601	Cover 14	325721	Connector, 50 Pt Receptacle 9	330137**	Bracket 10
325605	Guide, Cable 11,14	325722	Bracket, Connector 9	330136	Bracket 10
325606	Pad 12	325725	Clamp, Connector 10	331016	Bracket 14
325607	Terminal, Insulated 13	325730	Cable Assembly 1,3,7,9, 10,14,18	331017	Spring 14
325608	Bracket w/Screw 13	325733	Cable w/Terminals 16	331059	Diode 10
325610	Bar, Buss 13	325737	Cable Assembly 12,13	331083	Clamp 3
325614	Capacitor, 3800 MFD 12	325801	Bracket Assembly, Ink Heater 1,18	331092	Bracket 3,7
325615	Capacitor, 2500 MFD 12	325802	Bracket 18	331094	Cover 3
325616	Capacitor, 72000 MFD 12	325803	Transformer 18	331095	Cover 7
325617	Capacitor, 3000 MFD 12	325870	Post, Dual Binding 19	331119	Knob, Captive 2,4,21
325621	Card, Circuit 12	325872	Latch 20	331132	Bracket 2,4,21
325623	Card, Circuit 12	325873	Strike 20	331133	Stop 2,4
325624	Plate, Retainer 12	325874	Switch, Lever 19	331156	Sleeve 7
325628	Rod 13	325877	Bracket 19	331157	Stiffener, Cable 7
325629	Sleeve 13	325878	Bracket 20	331166	Plate, Adapter 3
325631	Cover 14	325879	Panel 19	331170	Modification Kit 1,21
325632	Bracket, Connector Mounting 14	325880	Cover 20	331205	Plate, Lock 21
325635	Nut, 10-32 Acorn 2,4,9,11	325881	Box 20	331206	Plate, Nut 21
325637	Resistor, 2 MFG Ohm 13	325882	Cable Assembly 19,20	331207	Bracket, Stop 21
325640	Washer, Spring 14	325883	Probe, Test 20	331208	Plate, Nut 21
325646	Bracket 13	325884	Cap, Insulator 20	331209	Plate 21
325647	Shield 13			333464	Plate, Identification 19
325700**	Panel Assembly, Front 1,10			333700	Modification Kit 1,15
				333702	Cable Assembly 9
				333703	Cable Assembly 15
				333704	Plate 15

**Refer to page 1 for finish suffix

