

43 TELEPRINTER ENCLOSURES AND PAPER HANDLING

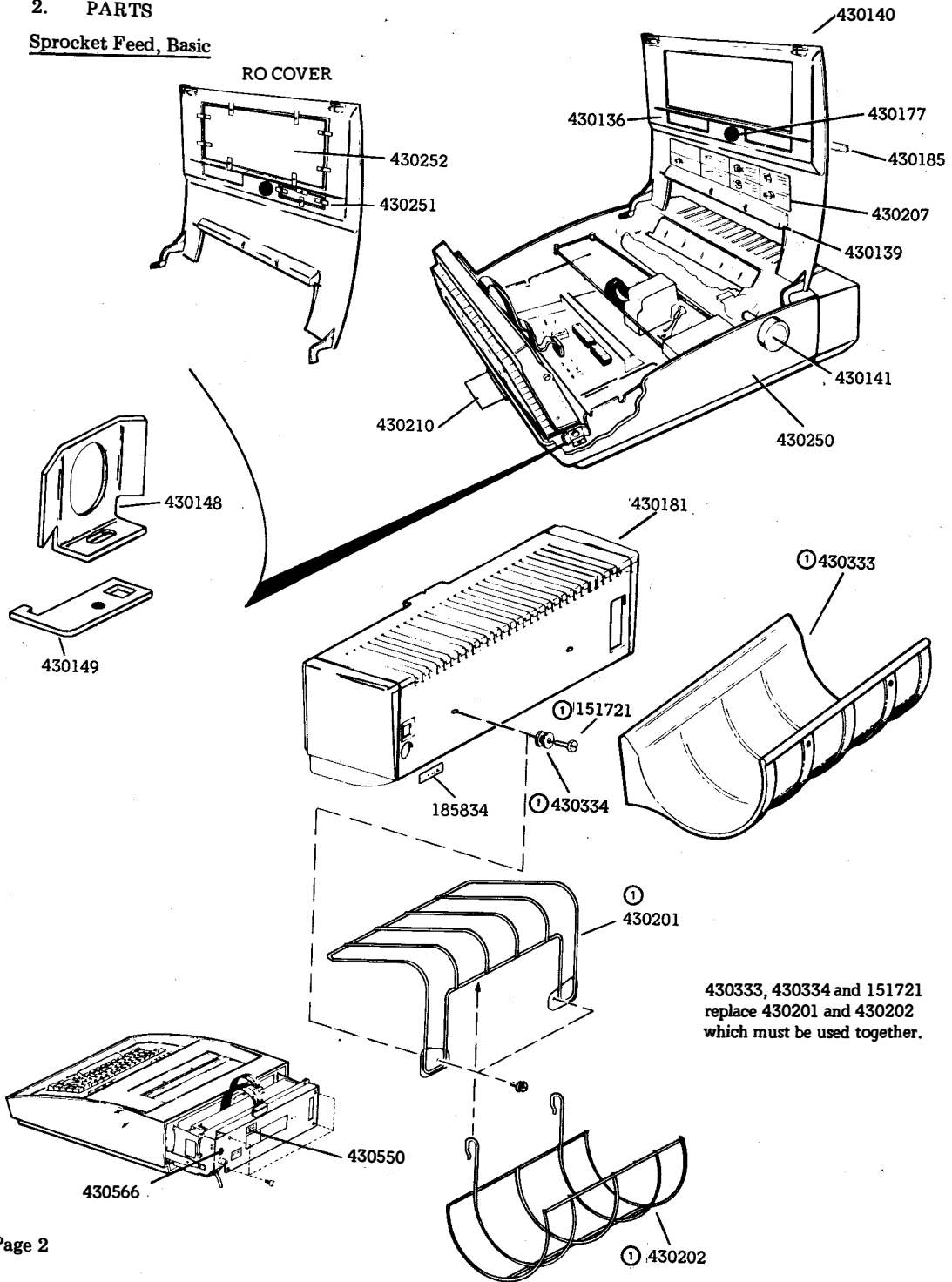
PARTS

CONTENTS	PAGE
1. GENERAL .....	1
2. PARTS .....	2
3. NUMERICAL INDEX .....	7
1. GENERAL	
1.01 The parts in this section are maintenance spares for the 43 enclosures and paper handling assemblies. They should be available in the quantities shown in each maintenance area to correct possible troubles or to meet appearance requirements.	

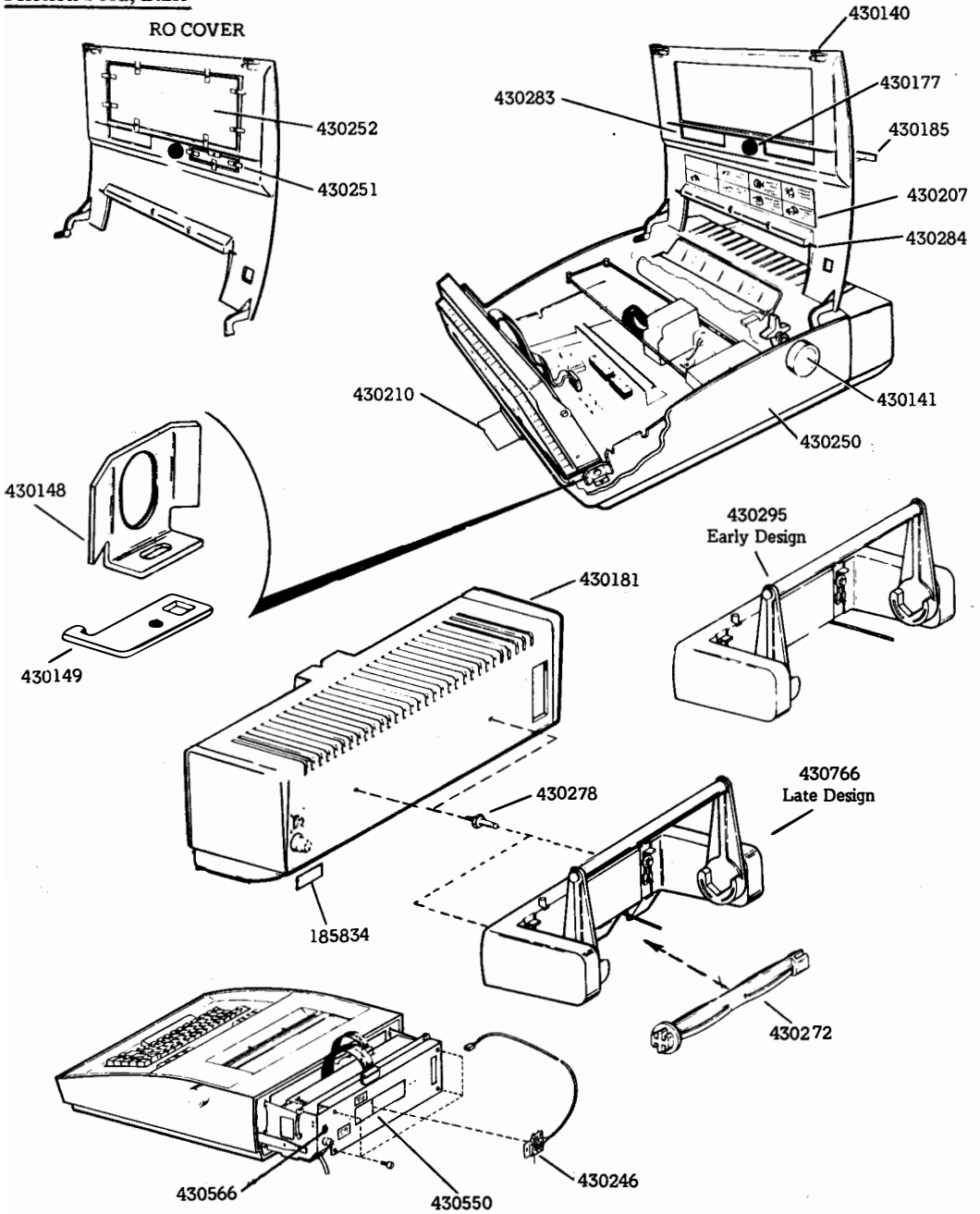
- 1.02 This section is reissued to redefine the parts listing and update the information to include tractor feed teleprinters.
- 1.03 When ordering replacement parts, unless otherwise specified, prefix all part numbers with the letters "TP" (ie, TP430250). Before ordering, verify that a particular spare is applicable to the type of terminal in service.
- 1.04 Replacement of enclosures and paper handling parts is provided in Section 574-500-750. Routine Maintenance for 43 Teleprinter. Disassembly and reassembly is provided in the 43 Teleprinter Section 574-500-720.

2. PARTS

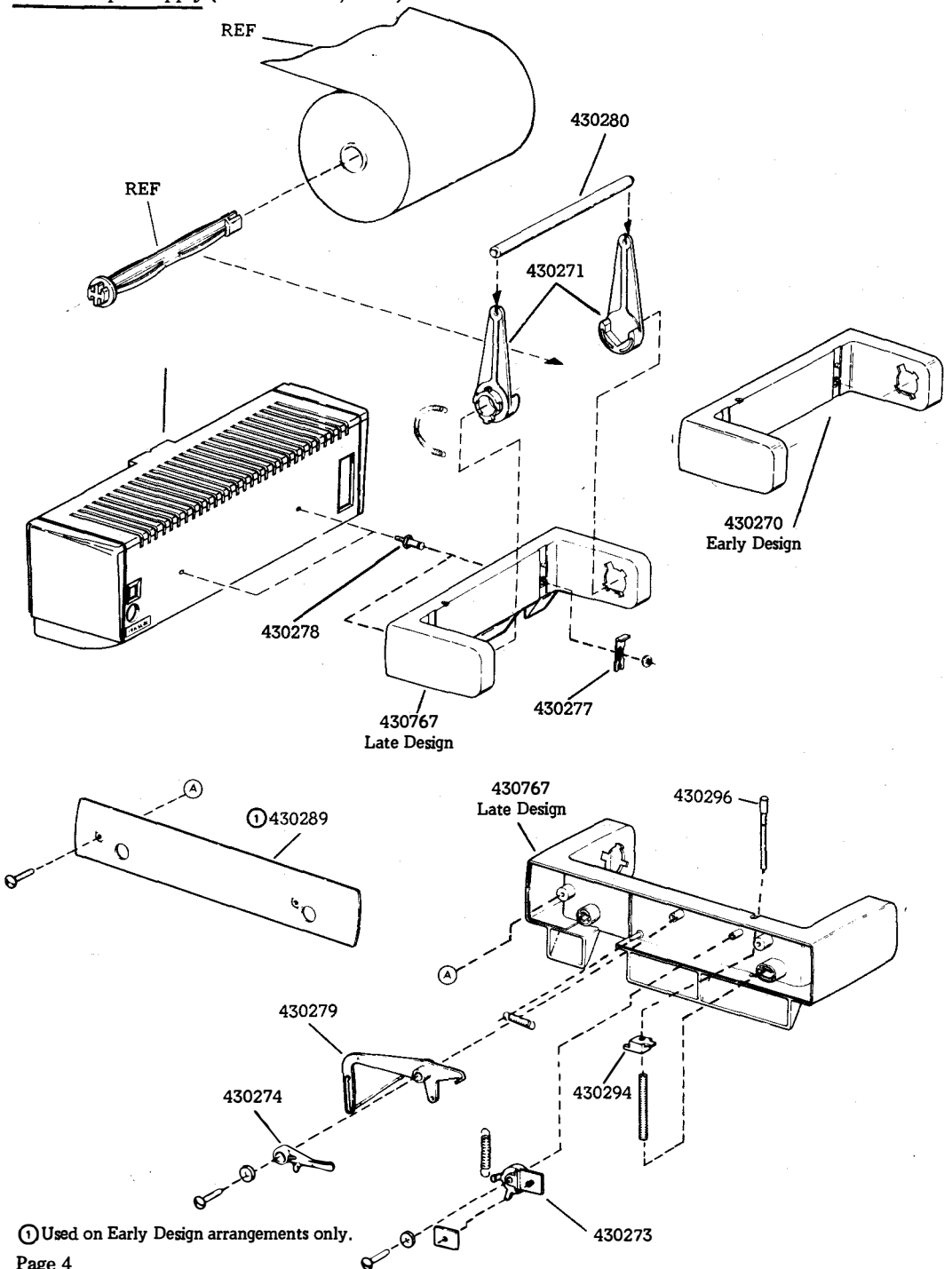
Sprocket Feed, Basic



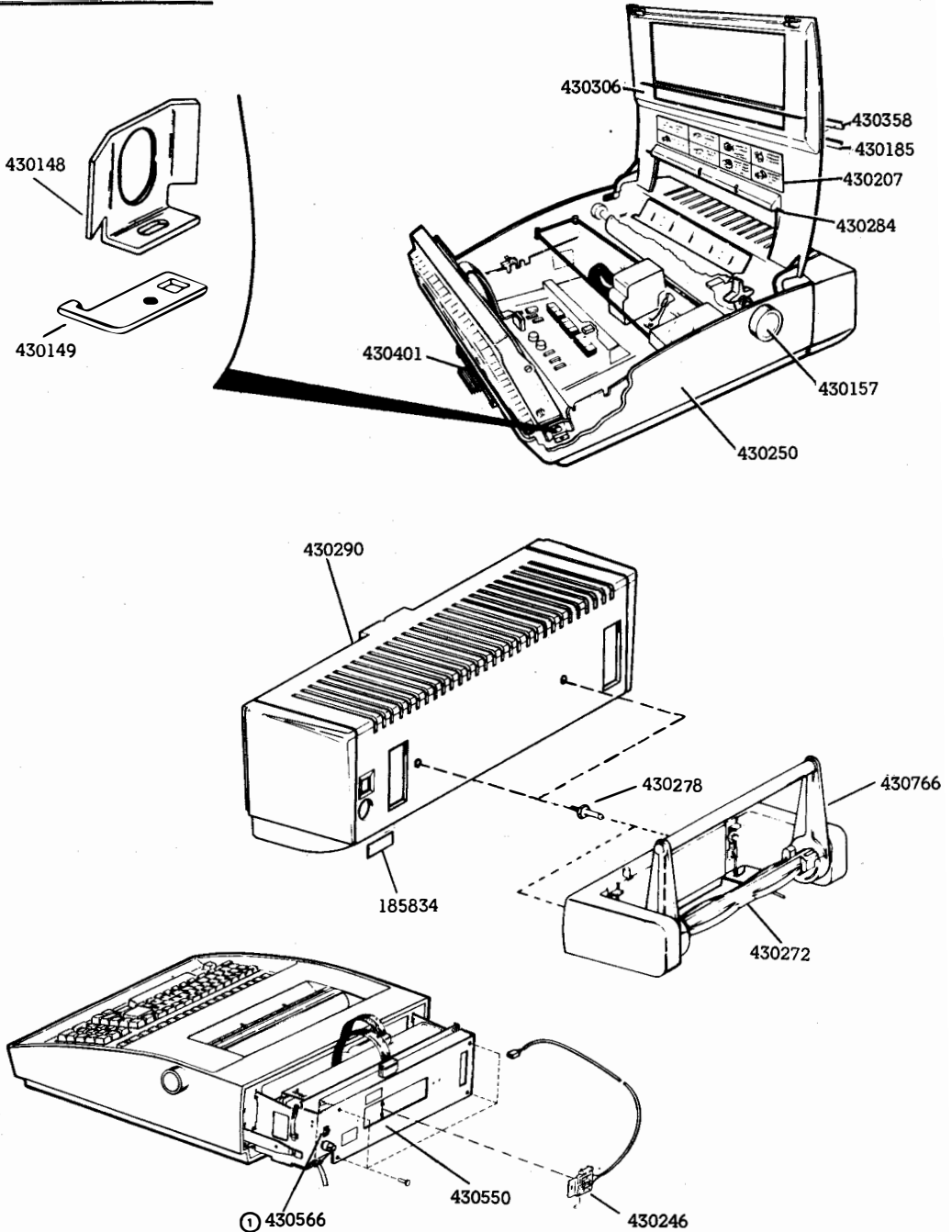
Friction Feed, Basic



430295 Paper Supply (Friction Feed, Basic)

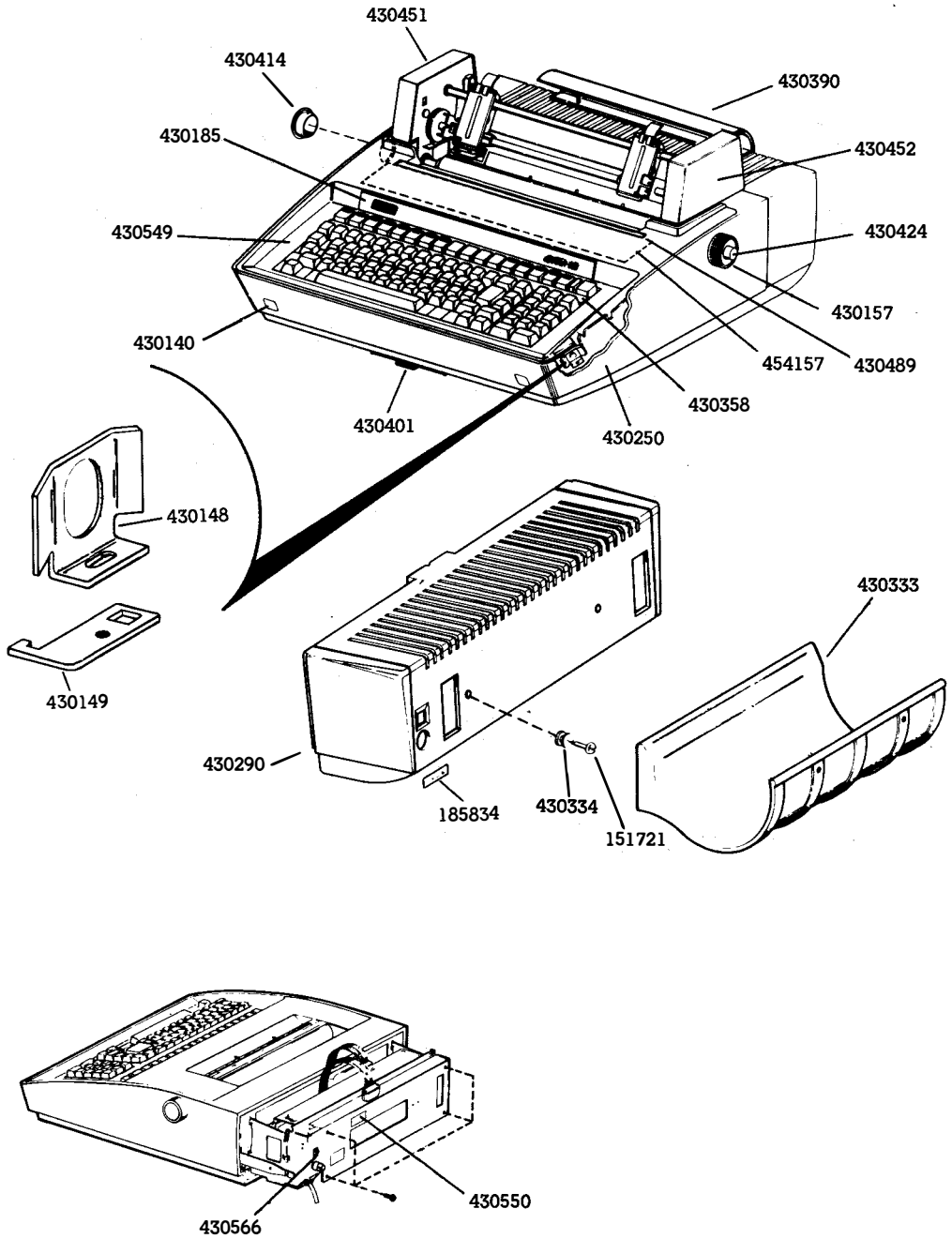


Friction Feed, Buffered



① Part of 430550

Tractor Feed, Buffered



## 3. NUMERICAL INDEX

3.01 These parts are not considered maintenance spares. They may be ordered for local repair of terminals.

<u>PART NUMBER</u>	<u>DESCRIPTION AND PAGE NUMBER</u>
151721	Screw, 6-40 x 3/4 Hex 2, 6
185834	Label, Fuse 2, 3, 5, 6
430136	Cover 2
430139	Scale 2
430140	Button 2, 3, 6
430141	Knob w/Insert 2, 3
430148	Clamp 2, 3, 5, 6
430149	Nut Plate 2, 3, 5, 6
430157	Knob, Platen 5, 6
430177	Button, Acuator 2,3
430181	Cover, Bustle 2, 3
430185	Nameplate, Bell 2, 3, 5, 6
430201	Deflector, Paper 2
430202	Holder, Paper 2
430207	Label Instruction 2, 3, 5
430210	Directory Card w/Labels 2, 3
430246	Assembly, Switch Bracket 3, 5
430250	Housing w/Holder 2, 3, 5, 6
430251	Plate, Cover 2, 3
430252	Plate, Cover 2, 3
430270	Support, Paper Roll 4
430271	Lever, Arm 4
430272	Spindle, Paper 3, 5
430273	Cam, Low Paper 4
430274	Cam, Follower 4
430277	Latch 4
430278	Post 3, 4, 5
430279	Lever, Paper Sensor 4
430280	Roller, Paper 4
430283	Cover, Friction Feed 3
430284	Scale, 80-Column 3, 5
430289	Plate, Rear Cover 4
430290	Cover, Bustle 5, 6
430294	Lever, Reset 4
430295	Assembly, Paper Supply 3
430296	Shaft, Lever 4
430306	Cover 5
430333	Holder, Rear Paper 2, 6
430334	Bushing 2, 6
430358	Label 5, 6
430390	Deflector, Paper 6
430401	Card, Directory 5, 6
430414	Plug, Hole 6
430424	Button, Release 6
430451	Cover, Left 6
430452	Cover, Right 6
430489	Scale, 100 Column 6
430549	Cover 6
430550	Rear Frame Assembly 2, 5, 6
430566	Switch, Rocker 2, 3, 5, 6
450766	Assembly, Paper Supply 3, 5
430767	Support, Paper Roll 4
454157	Label 6