

43 TRACTOR FEED PRINTER

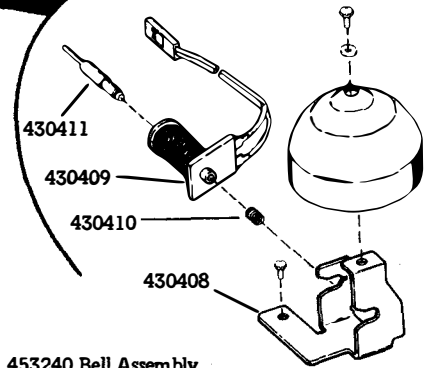
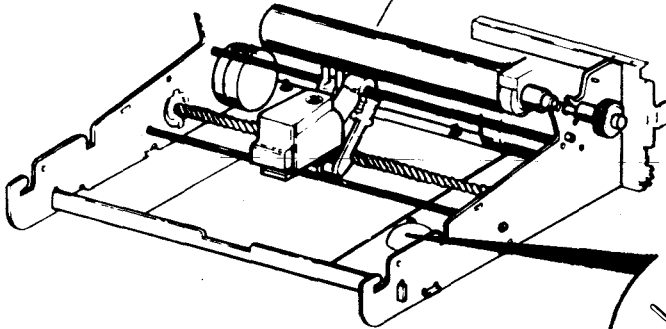
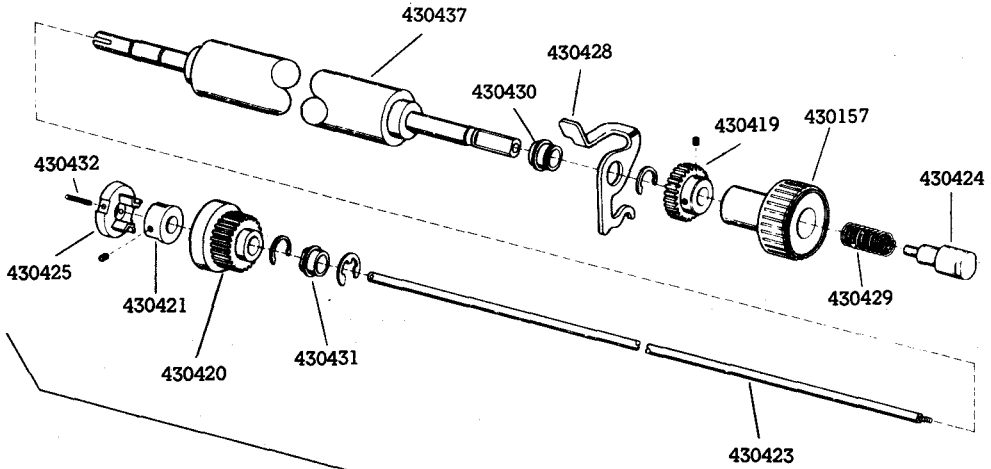
PARTS

| CONTENTS | PAGE | 1. GENERAL |
|--|------|---|
| 1. GENERAL | 1 | 1.01 Information on maintenance spare parts is provided in this section for the 43 tractor feed printer. |
| 2. PARTS | 2 | 1.02 Whenever this section is reissued, the reason for reissue will be listed in this paragraph. |
| PLATEN AND BELL ASSEMBLY | 2 | 1.03 Part numbers are listed in the index in numerical order and indicate the page on which the parts appear. Asterisked numbers, stocked as "List 1", indicate a maintenance spare stocking ratio of one spare for each 50 stations in a maintenance area. Part numbers without asterisks are not maintenance spares but may be ordered separately for local repair of the printer. Before ordering, verify that a particular spare is applicable to the type of printer in service. |
| CARRIAGE ASSEMBLY | 3 | |
| LINE FEED SPACING MOTOR | 4 | |
| CHARACTER SPACING MOTOR | 5 | |
| LEAD SCREW AND DRIVE | 6 | |
| PAPER TRAY AND PRESSURE ROLLER | 7 | 1.04 When ordering replaceable parts or components, unless otherwise specified, prefix each part number with "TP" (ie, TP410055). |
| LEFT AND RIGHT SIDE FRAME ARRANGEMENTS | 8 | 1.05 Troubleshooting and disassembly/reassembly information for these parts is provided in Section 574-501-301 and Section 574-501-721, respectively. |
| TRACTOR MECHANISM | 9 | |
| 3. NUMERICAL INDEX | 10 | |

SECTION 574-501-801

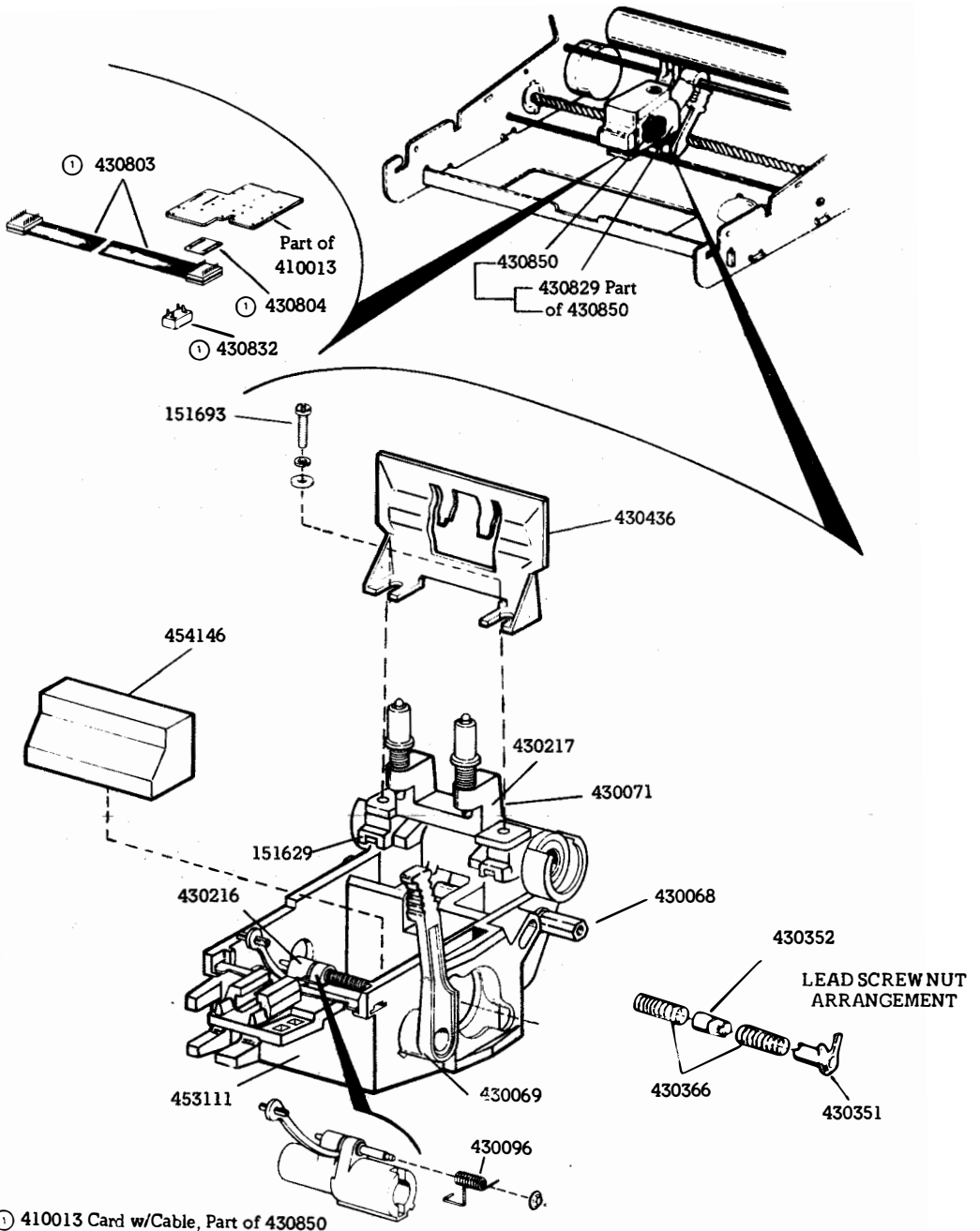
2. PARTS

PLATEN AND BELL ASSEMBLY



453240 Bell Assembly

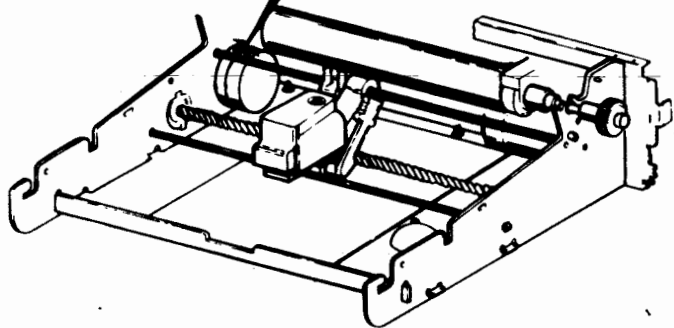
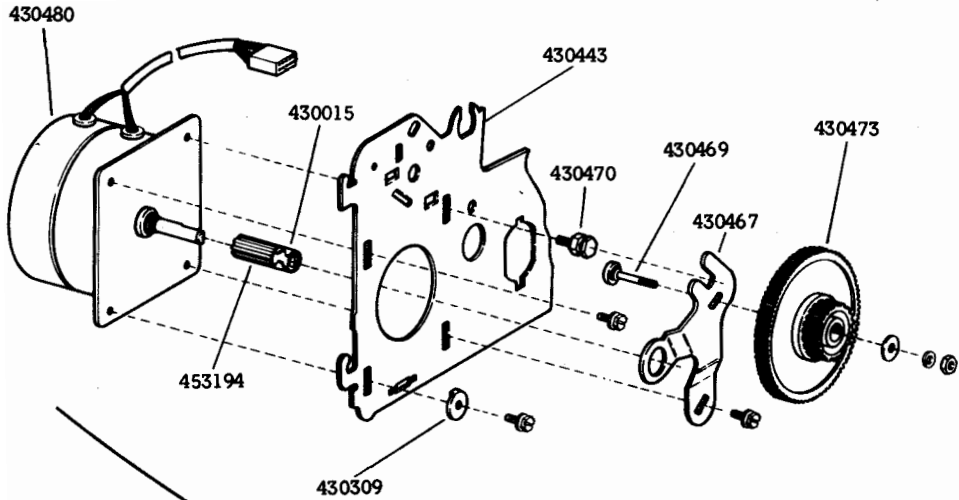
CARRIAGE ASSEMBLY



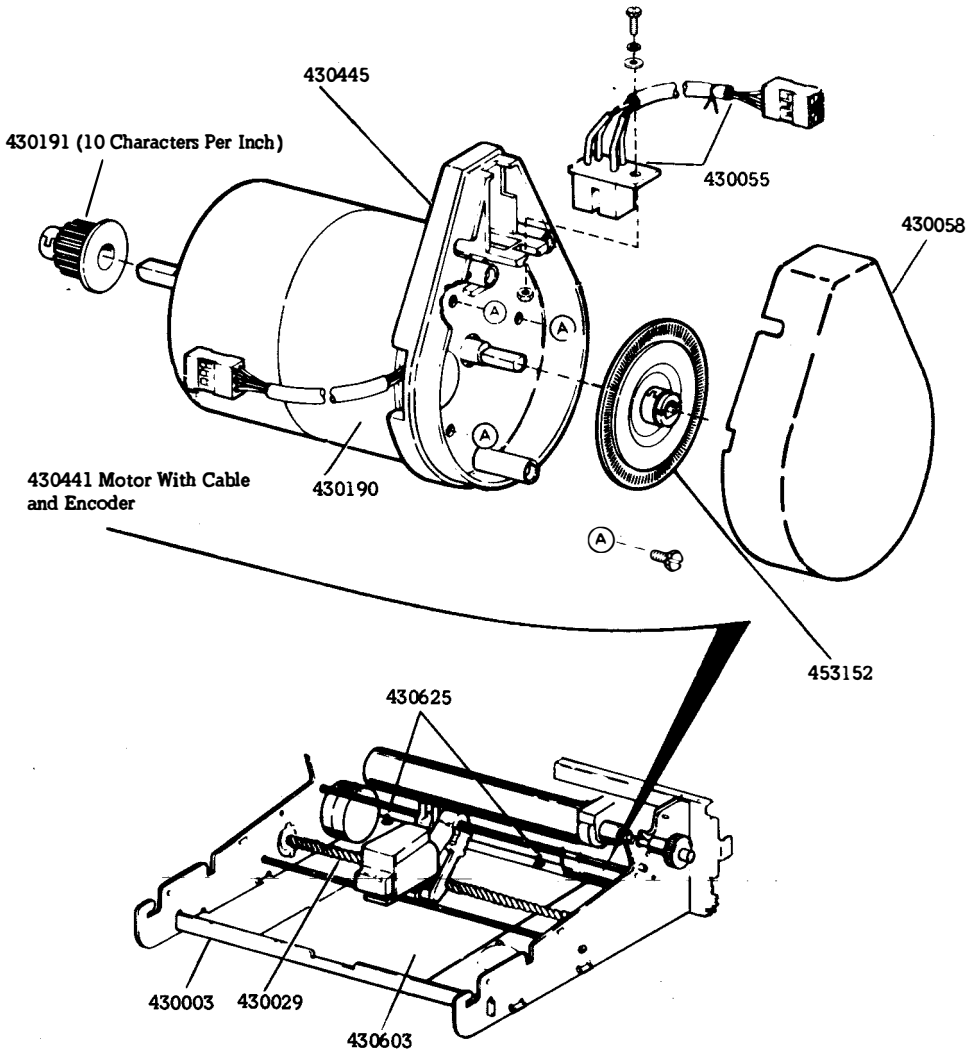
① 410013 Card w/Cable, Part of 430850

SECTION 574-501-801

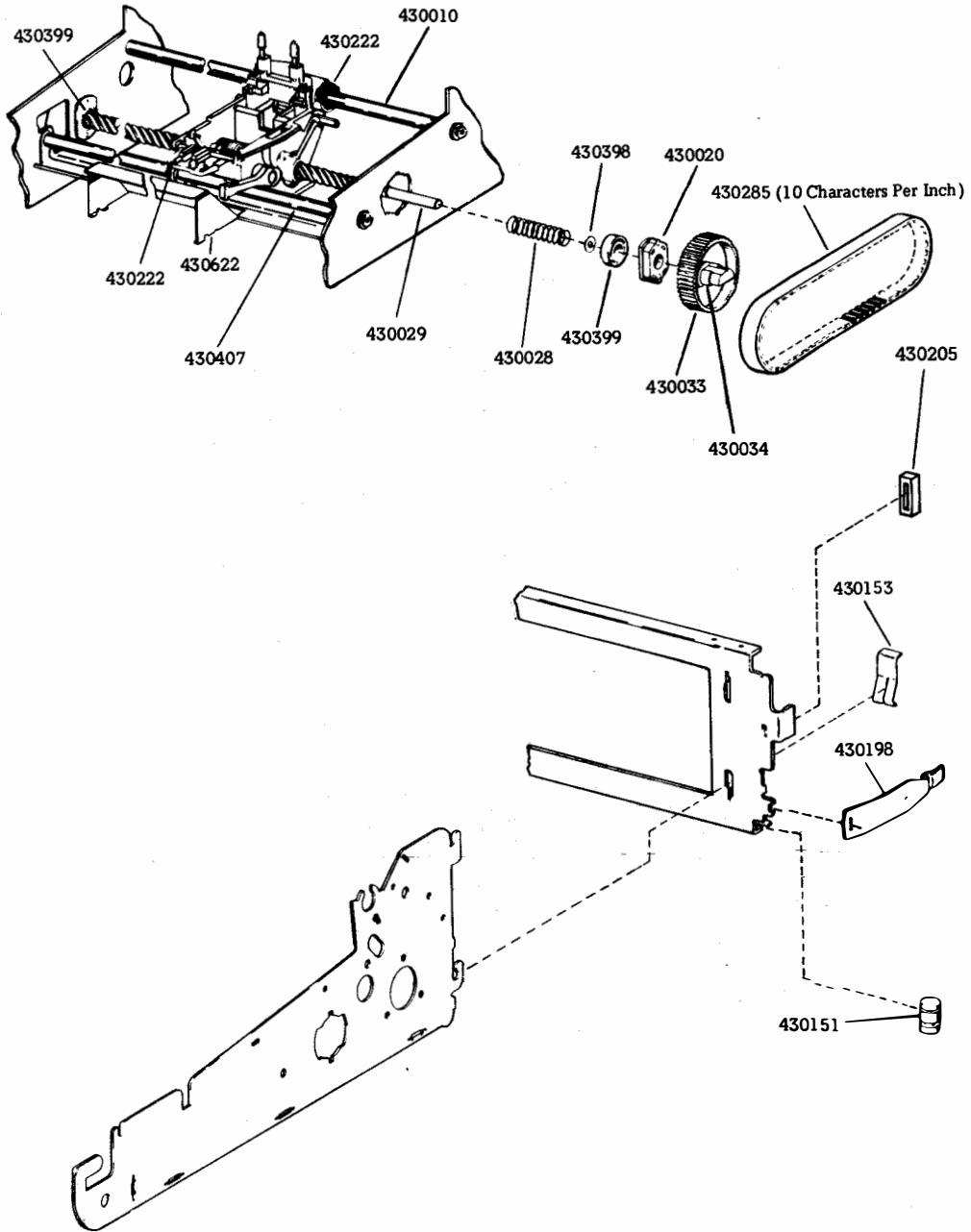
LINE FEED SPACING MOTOR



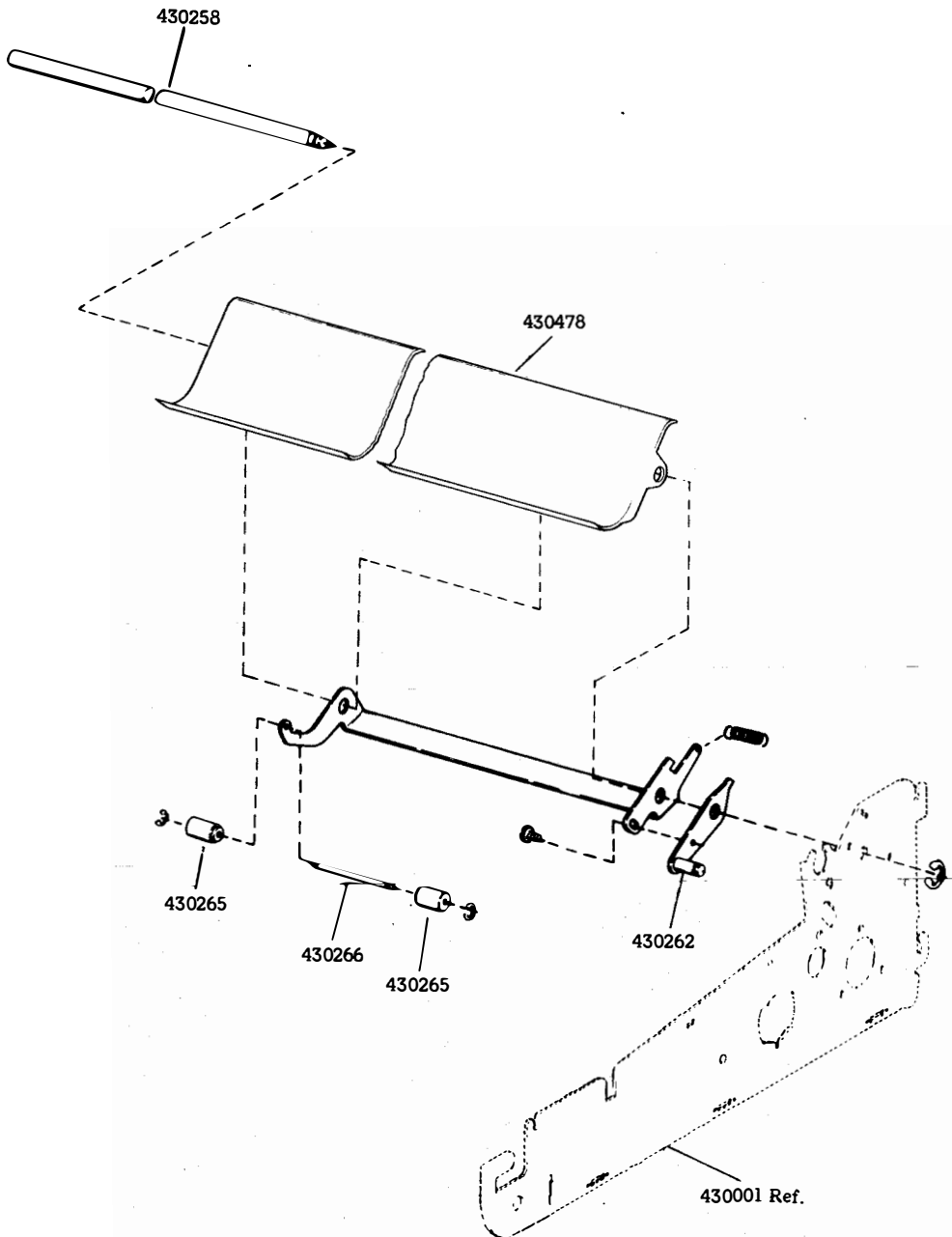
CHARACTER SPACING MOTOR



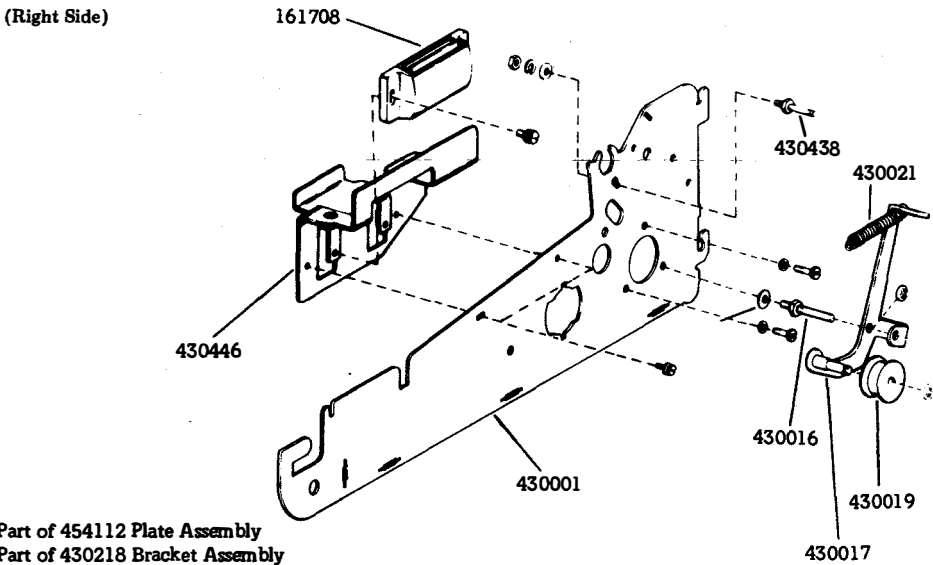
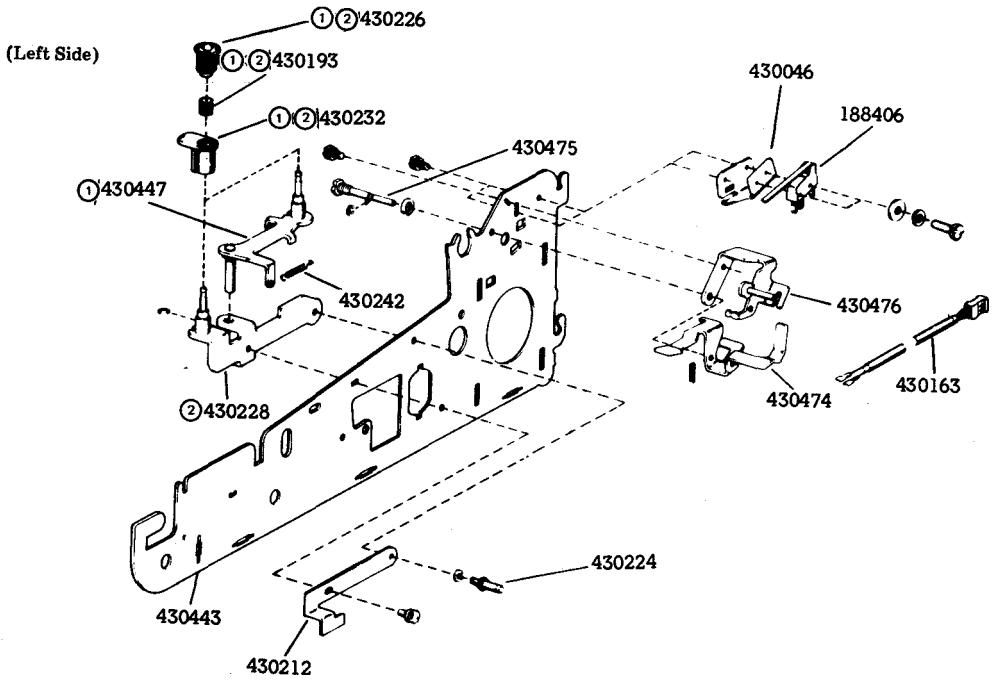
LEAD SCREW AND DRIVE



PAPER TRAY AND PRESSURE ROLLER

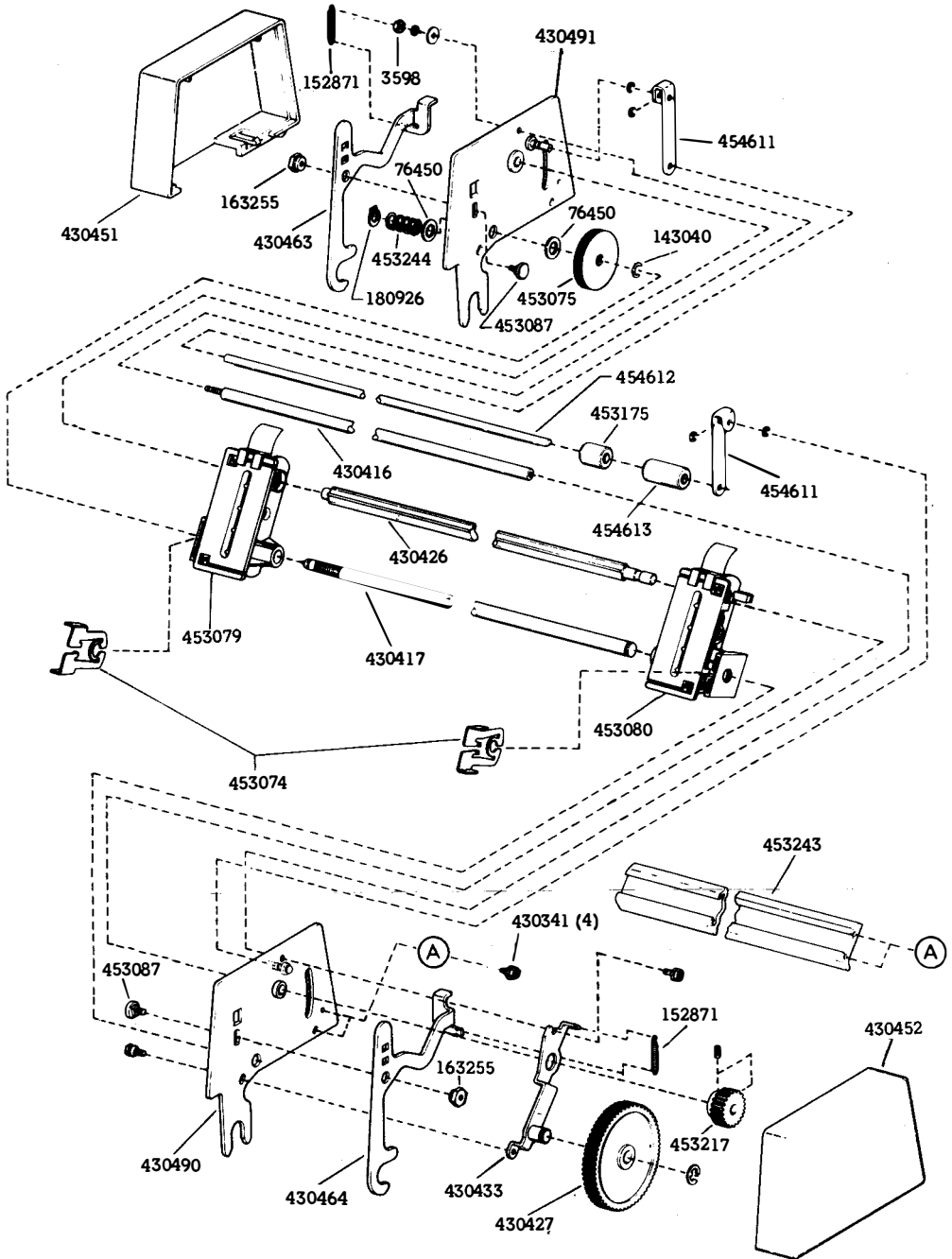


LEFT AND RIGHT SIDE FRAME ARRANGEMENTS



- ① Part of 454112 Plate Assembly
- ② Part of 430218 Bracket Assembly

TRACTOR MECHANISM



SECTION 574-501-801

3. NUMERICAL INDEX

3.01 Parts listed without asterisks are not maintenance spares but may be ordered as needed for local repair of major components.

| Part Number | Description and Page Number | Part Number | Description and Page Number | Part Number | Description and Page Number |
|-------------|-----------------------------|-------------|-----------------------------|-------------|-----------------------------|
| 3598 | Nut, 6-40 Hex 9 | 430228 | Bracket 8 | 430452 | Cover, Right 9 |
| 76450 | Shim, 0.028 THK 9 | 430232 | Rotor 8 | 430464 | Lever, Latch Right 9 |
| 143040 | Ring, Retaining 9 | 430242 | Spring 8 | 430467 | Plate 4 |
| 151629 | Nut, 6-40 Lug 3 | 430258 | Shaft 7 | 430469 | Post, Idler 4 |
| 151693 | Screw, 6-40 x 3/16 Fil 3 | 430262 | Plate w/Post 7 | 430470 | Post, Guide 4 |
| 152871 | Spring 9 | 430265 | Roller 7 | 430473 | Gear 4 |
| 161708 | Latch, Magnetic 8 | 430266 | Shaft 7 | 430474 | Lever, Switch 8 |
| 163255 | Nut, 6-40 Shoulder 9 | 430276 | Support, Bustle 6 | 430475 | Post 8 |
| 180926 | Ring, Retaining 9 | 430285 | Belt, Timing 6 | 430476 | Bracket, Left 8 |
| 188406 | Switch 8 | 430309 | Bushing 4 | 430478 | Tray 7 |
| 410013 | Card Assembly, Circuit 3 | 430341 | Screw, 5/16 Self Tap 9 | 430480 | Motor Assembly 4 |
| 430001 | Plate, Right Side 7,8 | 430351 | Nut, Lead Screw 3 | 430490 | Frame, Side 9 |
| 430003 | Pan 5 | 430352 | Nut, Lead Screw 3 | 430491 | Frame, Side 9 |
| 430010 | Rod, Guide 6 | 430366 | Spring, Compression 3 | 430603 | Insulator 5 |
| 430015 | Fastener 4 | 430398 | Washer, Flat 6 | 430622 | Clamp 6 |
| 430016 | Post 8 | 430399 | Bearing, Ball 6 | 430625 | Support 5 |
| 430017 | Lever 8 | 430407 | Rod, Lower Guide 6 | 430803 | Cable Assembly 3 |
| 430019 | Roller w/Bearing 8 | 430408 | Bracket 2 | 430804 | Insulator 3 |
| 430020 | Housing, Bearing 6 | 430409 | Coil 2 | 430829 | Cover 3 |
| 430021 | Spring 8 | 430410 | Spring, Plunger 2 | 430832 | Switch 3 |
| 430028 | Spring, Compression 6 | 430411 | Striker, Bell 2 | 430850 | Head Assembly, Print 3 |
| 430029 | Screw, Lead 5,6 | 430416 | Rod, Tractor Guide 9 | 453074 | Shaft, Support 9 |
| 430033 | Pulley, 8IT 6 | 430417 | Shaft, Support 9 | 453075 | Wheel, Thumb 9 |
| 430034 | Fastener 6 | 430419 | Gear, Spur 2 | 453079 | Tractor Assembly, Left 9 |
| 430046 | Bracket, Switch 8 | 430420 | Gear, Spur 2 | 453080 | Tractor Assembly, Right 9 |
| 430055 | Cable Assembly 5 | 430421 | Coupler 2 | 453087 | Screw, 6-40 Shoulder 9 |
| 430058 | Cover 5 | 430423 | Shaft, Inner Platen 2 | 453111 | Carriage w/ Bushing 3 |
| 430068 | Nut, 8-32 SPL 3 | 430424 | Button, Release 2 | 453152 | Encoder, Disc 5 |
| 430069 | Handle, Locking 3 | 430425 | Clutch, Drive 2 | 453175 | Roller Assembly 9 |
| 430071 | Bridge w/Post 3 | 430426 | Bar, 4 Teeth Spline 9 | 453194 | Pinion, 10T 4 |
| 430096 | Spring, Torsion 3 | 430427 | Gear 9 | 453217 | Gear, 25T 9 |
| 430151 | Mount, Rear 6 | 430428 | Lever, Release 2 | 453240 | Bell Assembly 2 |
| 430153 | Clip 6 | 430429 | Spring 2 | 453243 | Bar, Tie 9 |
| 430157 | Knob 2 | 430430 | Bearing, Right Platen 2 | 453244 | Spring, Compressor 9 |
| 430163 | Cable Assembly 8 | 430431 | Bearing, Left Platen 2 | 454112 | Plate Assembly 8 |
| 430190 | Motor w/Cable 5 | 430432 | Pin, Roll 2 | 454146 | Oiler, Foam 3 |
| 430191 | Pulley, 27T 5 | 430433 | Plate, Idler Adjusting 9 | 454611 | Arm 9 |
| 430193 | Band, Left 8 | 430436 | Shield, Print Head 3 | 454612 | Shaft, Roller 9 |
| 430198 | Clamp 6 | 430437 | Platen 2 | 454613 | Roller w/Spring 9 |
| 430212 | Bracket, Margin 8 | 430438 | Post 8 | | |
| 430216 | Collar w/Link 3 | 430441 | Motor w/Cable 5 | | |
| 430217 | Bridge Assembly 3 | 430443 | Plate 4,8 | | |
| 430218 | Bracket Assembly 8 | 430445 | Housing 5 | | |
| 430222 | Washer, Felt 6 | 430446 | Bracket, Right 8 | | |
| 430224 | Post, Spring 8 | 430447 | Plate 8 | | |
| 430226 | Roller, Left Guide 8 | 430451 | Cover, Left 9 | | |