

43 TELEPRINTER

PARTS

CONTENTS	PAGE
1. GENERAL	1
2. PARTS	2
Basic KSR and RO	2
430900 Answer-Back Modification Kit	3
410718 Selective Calling Unit Circuit Card	4
43 Buffered Teleprinter 8-Level	5
43 Buffered Teleprinter 5-Level	5
430550 Rear Frame Assembly	6
3. NUMERICAL INDEX	7

1. GENERAL

1.01 Information on maintenance spare parts is provided in this section for the 43 Basic KSR and RO Teleprinter, 8-Level, and 43 Teleprinter 5- and 8-level Buffered Stations.

1.02 This section is reissued to change the maintenance spare stocking ratios, update the maintenance spare information and to provide 43 Teleprinter 5- and 8-level Buffered Station information.

1.03 This section is provided to identify the Teletype Corporation or Western Electric Company part number and location of recom-

mended spares that should be available and may be required to correct a trouble. It also provides other parts which may be used to repair a major component or terminal without returning it to the WECO service center.

1.04 Part numbers are listed in the index in numerical order and indicate the page on which the parts appear. Asterisked numbers, stocked as "List 1", indicate a maintenance spare stocking ratio of one spare for each 50 stations in a maintenance area. Part numbers with two asterisks, stocked as "List 2", indicate that one spare should be available for each 200 stations in a maintenance area. Before ordering, verify that a particular spare is applicable to the type of terminal in service.

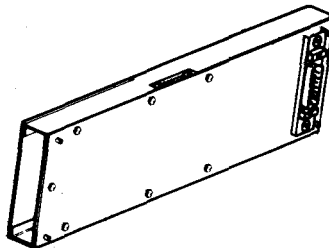
1.05 When ordering replaceable components, unless otherwise specified, prefix each part number with the letters "TP" (ie, TP410205).

1.06 Troubleshooting information for these parts are provided in:

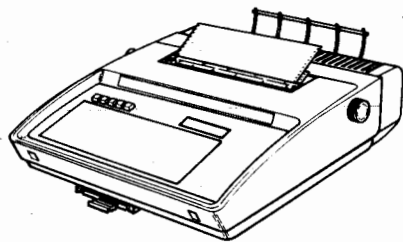
Section 574-500-300,
Section 574-500-301,
Section 574-500-302,
Section 574-500-303,
Section 574-500-304.

1.07 Disassembly/reassembly information for these parts are provided in:

Section 574-500-720.

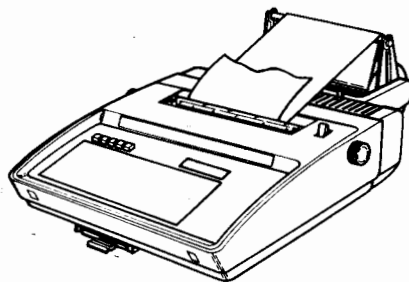


2. PARTS



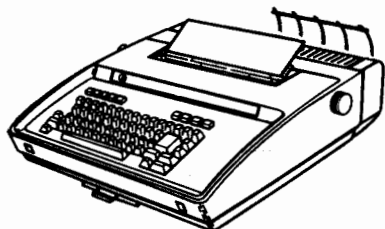
43 RO — Sprocket (Pin) Feed

4310AAA



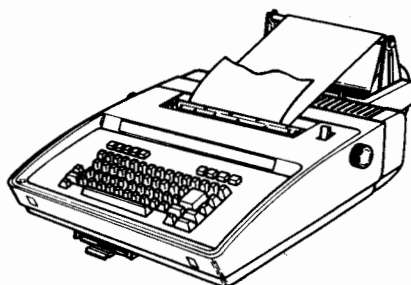
43 RO — Friction Feed

4310AAE



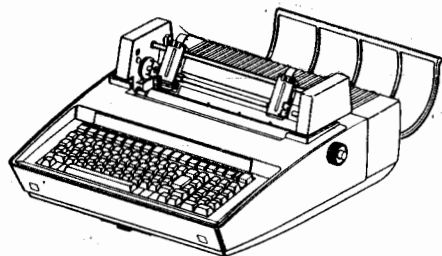
43 KSR — Sprocket (Pin) Feed

4320AAA



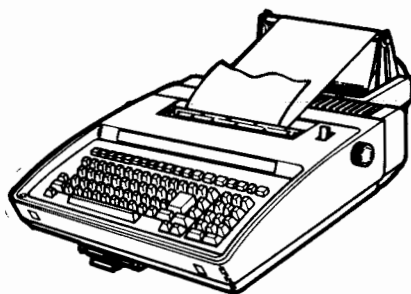
43 KSR — Friction Feed

4320AAE



43 Buffered Terminal — Variable Tractor Feed

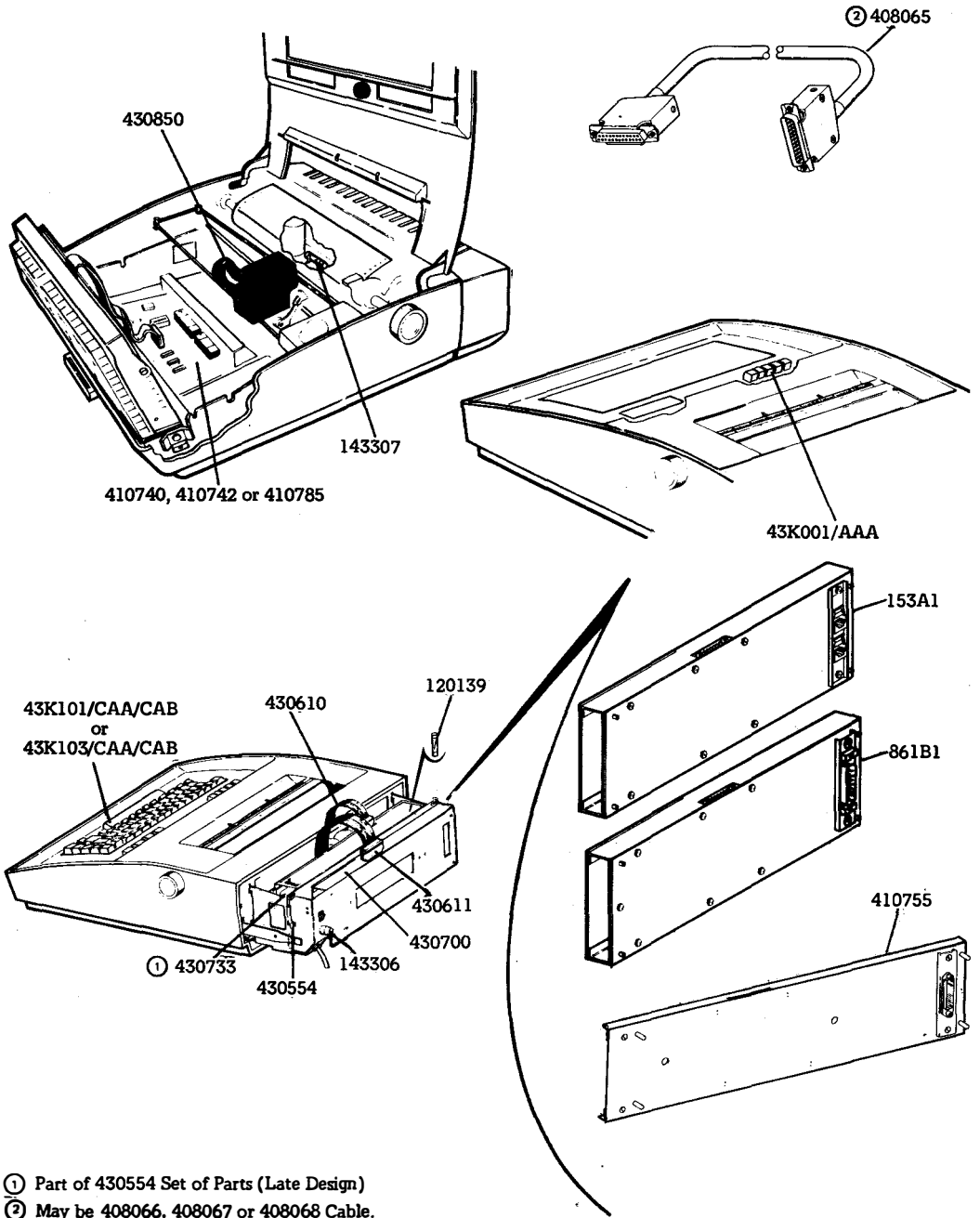
4340BZJ



43 Buffered Terminal — Friction Feed

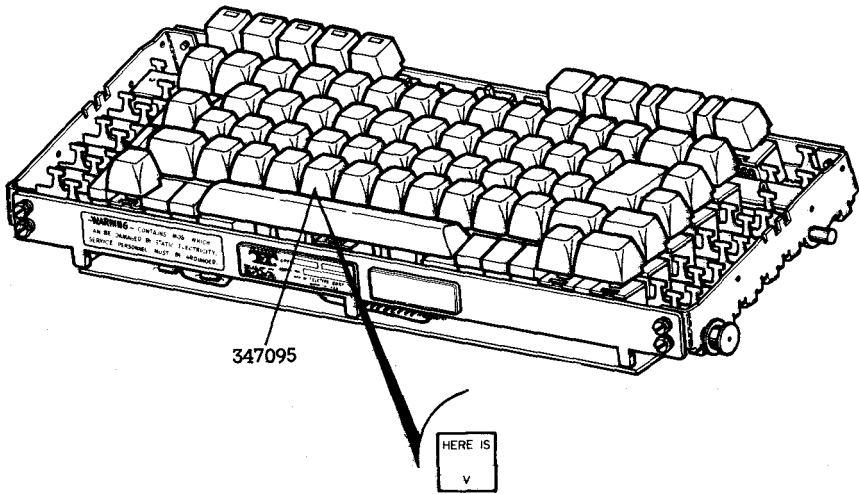
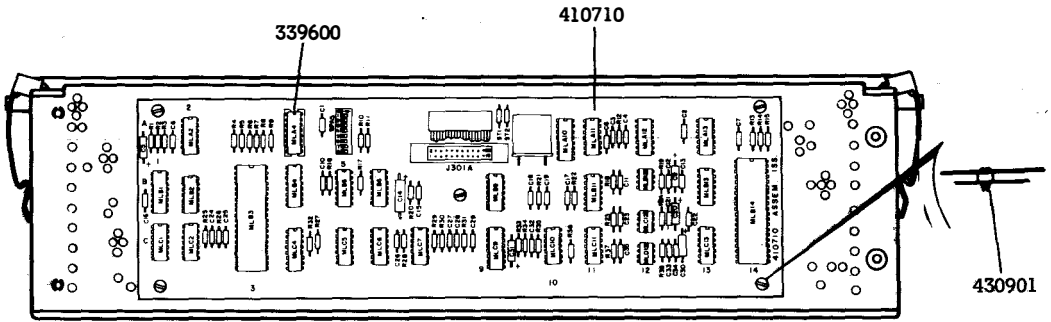
4240BZD or 4340BZD

Basic KSR and RO Teleprinters

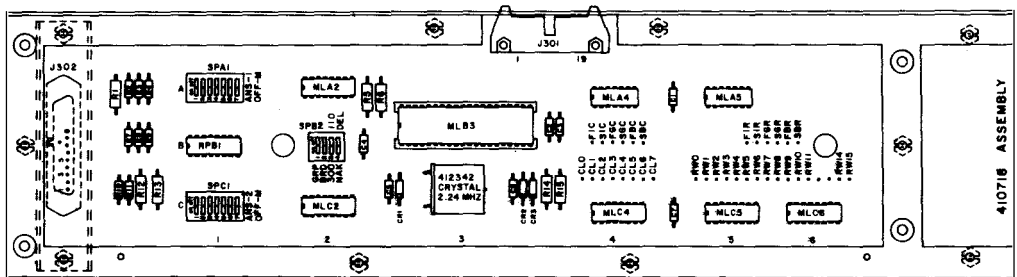


① Part of 430554 Set of Parts (Late Design)
 ② May be 408066, 408067 or 408068 Cable.

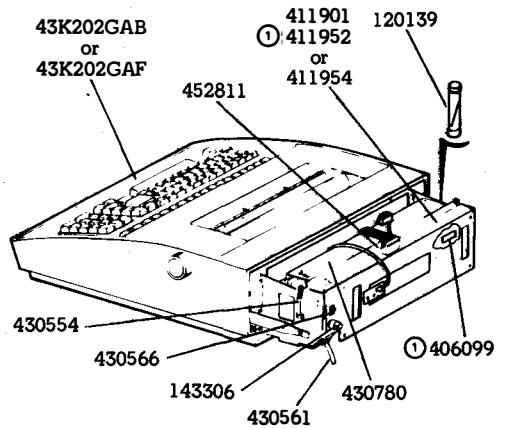
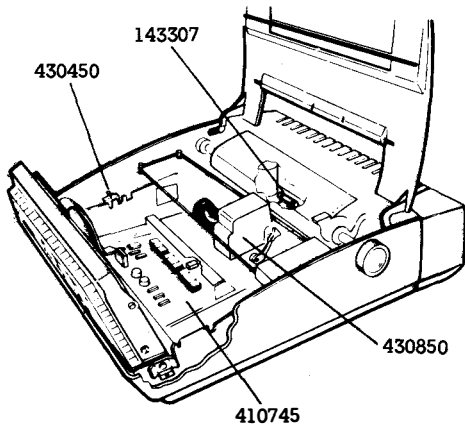
430900 Answer-Back Modification Kit



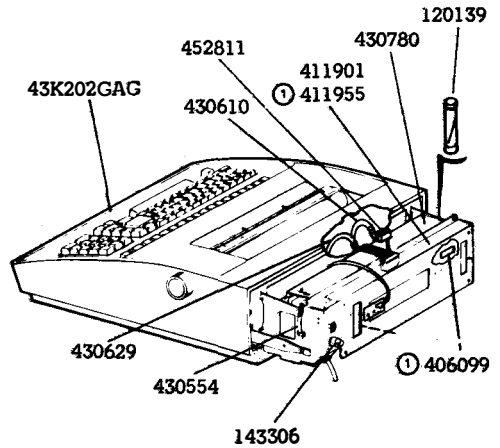
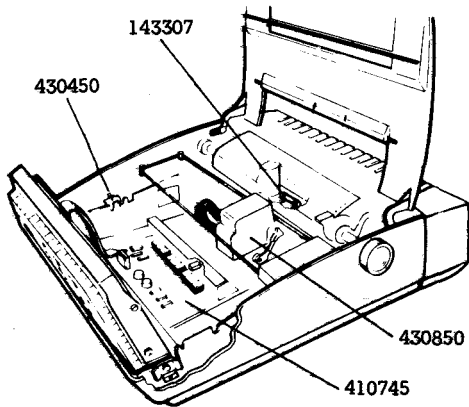
410718 Selective Calling Unit Circuit Card



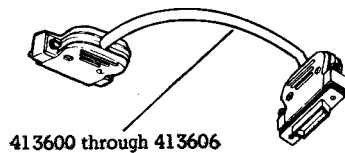
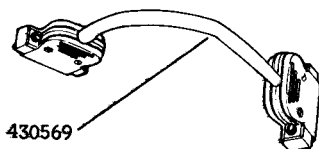
43 Teleprinter — 8-Level Buffered



43 Buffered Teleprinter — 5-Level

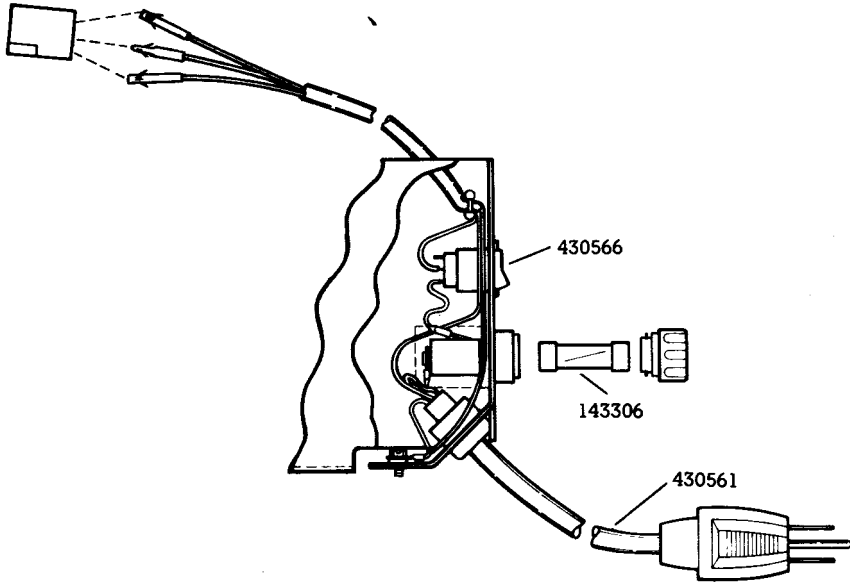


① Part of 43FG110/BA/01, 43FG210/AA/01 or 43FG210/BA/01



SECTION 574-500-800

430550 Rear Frame Assembly



3. NUMERICAL INDEX

3.01 Parts and unit codes listed without asterisks are not maintenance spares but may be ordered as needed for local repairs of major components or terminals.

120139*(5)	Fuse, 1 Amp 3, 5	410745*	Card, Logic 5	430554 (2)	Clip 3, 5
143306*(5)	Fuse, SL-BL, 1 Amp 3, 5, 6	410755	Outerface Assembly 3	430561	Cord, Power 5, 6
143307*(5)	Fuse, 0.6 Amp 3, 5	410785*	Card, Logic 3	430566	Switch, Rocker 5, 6
339600*(2)	Prom (Uncoded) 4	411901*	Card Assembly 5	430569*	Cable Assembly, 2 Ft 5
347095	Keypop (HERE IS) 4	413600**	Cable Assembly, 7 Ft 5	430610	Cable Assembly Power Supply 3, 5
406099	Battery, 3.6 V Nicad 5	413601**	Cable Assembly, 12 Ft 5	430611	Cable Assembly 3
408065**	Cable Assembly, 7 Ft 3	413602**	Cable Assembly, 25 Ft 5	430629	Cable Assembly 5
408066**	Cable Assembly, 12 Ft 3	413603**	Cable Assembly, 50 Ft 5	430700*	Power Supply Assembly 5
408067**	Cable Assembly, 25 Ft 3	413604**	Cable Assembly, 7 Ft 5	430733	Clip 3
408068**	Cable Assembly, 50 Ft 3	413605**	Cable Assembly, 7 Ft 5	430780*	Power Supply Assembly 5
410710*	Circuit Card, Answer- Back 4	413606**	Cable Assembly, 7 Ft 5	430850*	Head Assembly, Print 3, 5
410718	Card, Circuit 4	430450	Switch, Interlock 5	430900	Answer-Back Mod Kit 4
410740*	Card, Logic 3	430550	Frame Assembly, Rear 6	430901(15)	Fastener, Stud 4
410742*	Card, Logic 3			452811	Cable 5

4310 AAA**	Terminal, RO Pin Feed, 2
4310 AAE**	Terminal, RO Friction Feed, 2
4320 AAA**	Terminal, KSR Pin Feed, 2
4320 AAE**	Terminal KSR Friction Feed, 2
4340 BZD**	Terminal, BSC Friction Feed, 2
4340 BZD**	Terminal, BSR Friction Feed, 2
4340 BZJ**	Terminal, BSR Tractor Feed, 2

43K001/AAA*	Keyboard (Unit Code) 2
43K101/CAA*	Keyboard (Unit Code) 2
43K101/CAB*	Keyboard (Unit Code) 2
43K103/CAA*	Keyboard (Unit Code) 2
43K103/CAB*	Keyboard (Unit Code) 2
43K202/GAB*	Keyboard (Unit Code) 2
43K202/GAF*	Keyboard (Unit Code) 2
43K202/GAG*	Keyboard (Unit Code) 2

43FG110/BA/01*	Feature Group 5
43FG210/AA/01*	Feature Group 5
43FG210/BA/01*	Feature Group 5

Modification Kits

430900	Modification Kit, Answer-back
430910	Modification Kit, Selective Calling

*A maintenance spare stocking ratio of one spare for each 50 terminals in a maintenance area should be available.

**One spare should be available for each 200 terminals in a maintenance area.