

35 TAPE PRINTER KEYBOARD AND
35 RECEIVING ONLY TYPING REPERFORATOR BASE
ACTUAL WIRING DIAGRAMS

CONTENTS	PAGE
1. GENERAL	1
2. ACTUAL WIRING DIAGRAMS	1
35 TAPE PRINTER KEYBOARDS	1
35 RECEIVING ONLY TYPING REPERFORATOR BASE	1

1. GENERAL

1.01 The electrical components installed on the 35 Tape Printer Keyboards and 35 Receiving Only Typing Reperforator Base are illustrated in the attached actual wiring diagrams.

1.02 The actual wiring diagram presents a physical picture of each electrical component. The individual leads to each component are marked with their distant terminating points and wire color codes.

2. ACTUAL WIRING DIAGRAMS
35 TAPE PRINTER KEYBOARDS

2.01 Wiring diagrams 5868WD, 5890WD, and 5934WD cover the LTPK800 (Bell 35A), LTPK801 (Bell 35B), and LTPK802 (Bell 35C) Tape Printer Keyboards, respectively.

35 RECEIVING ONLY TYPING REPERFORA-
TOR BASE

2.02 Wiring diagram 5846 WD covers the LRB300 (Bell 35A) Receiving Only Typing Reperforator Base.

ISSUE	DATE	AUTH. NO.
A	8-21-62	74288
B	9-24-62	74640
C	11-15-62	75131

APPROVALS

D AND R E OF M

E NUMBER

PRODNO. 5846 WD

ACTUAL WIRING DIAGRAM
MODEL 35
REPERFORATOR BASE
LRB - 300

DATE: 4-27-62

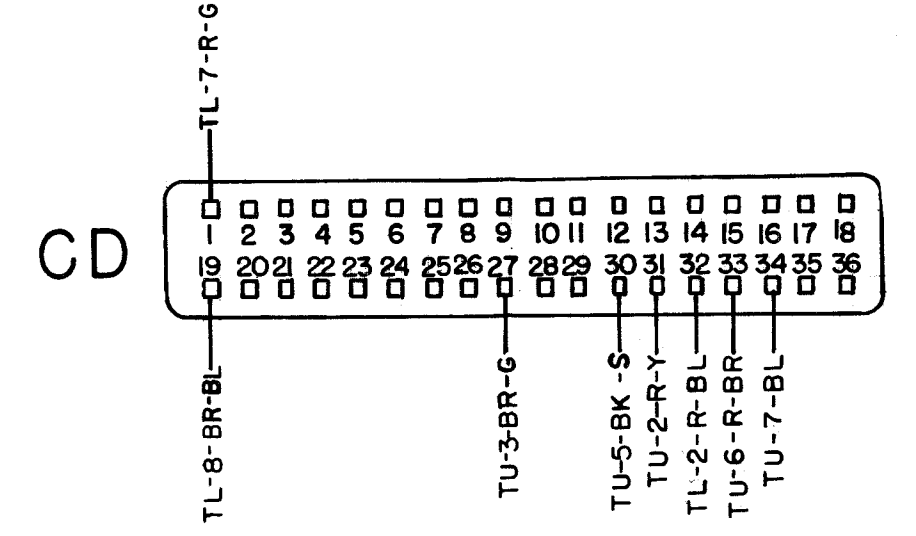
PD. FILE NO. 2-64/49.151AA

DRAWN GLZ CHKD

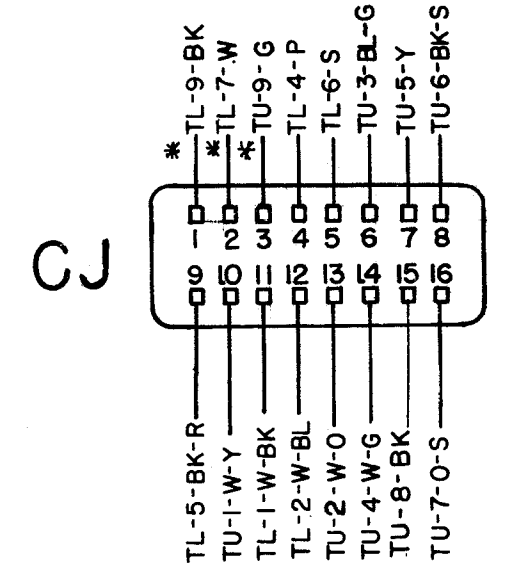
ENGD. JAC APPD

TELETYPE CORPORATION

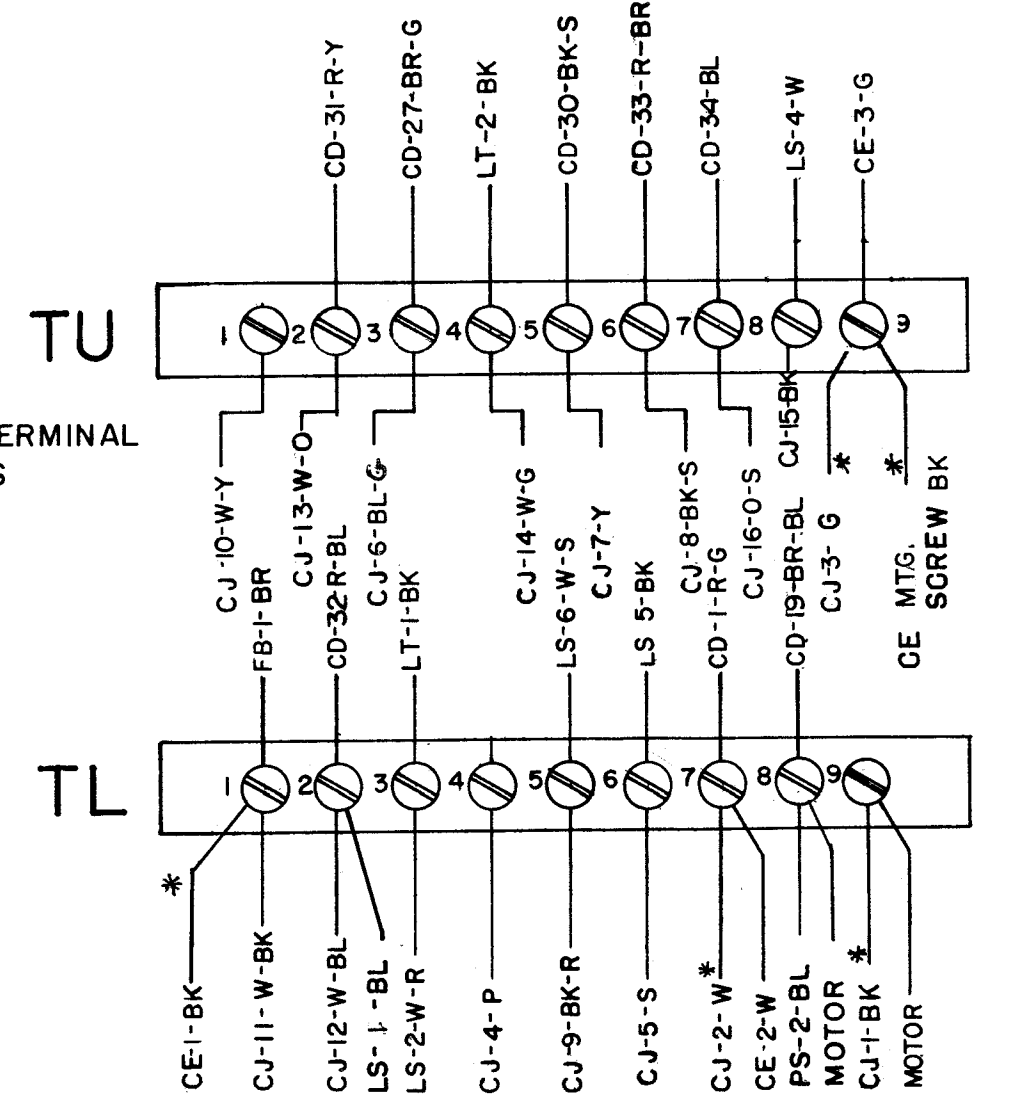
36- POINT-CONNECTOR



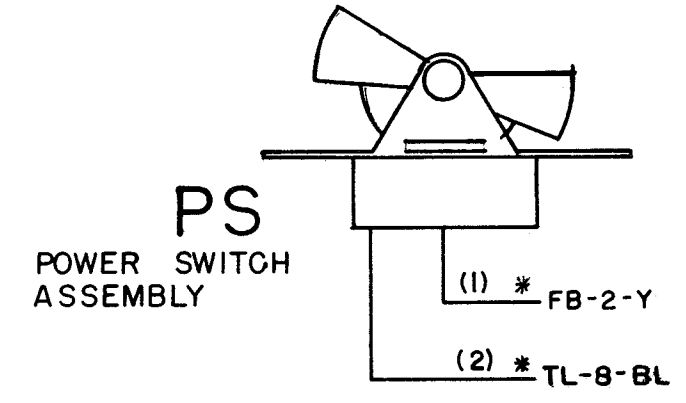
16 POINT CONNECTOR 159542



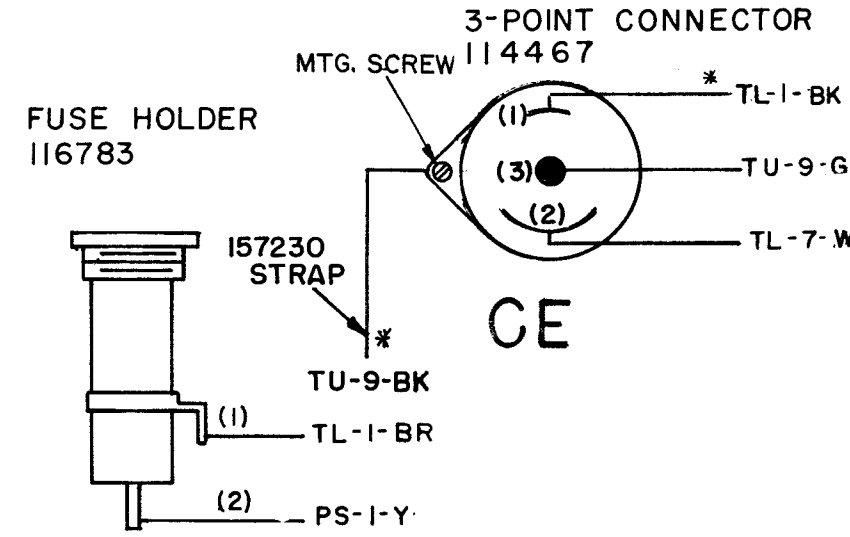
9 POINT TERMINAL BOARDS



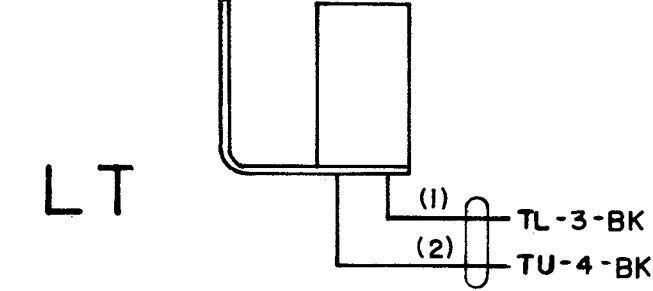
PS POWER SWITCH ASSEMBLY



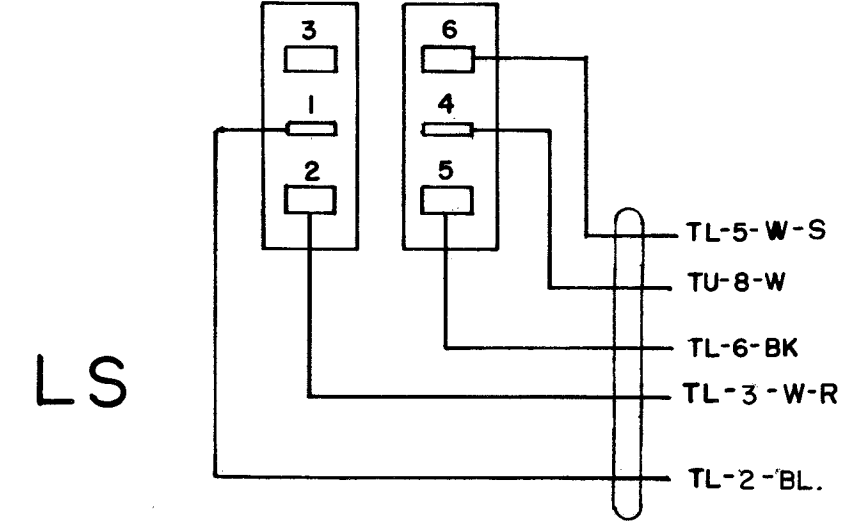
BASE GROUND



CABLE ASSEMBLY LAMP HOLDER 159592

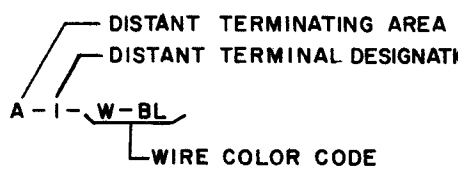


TAPE OUT SWITCH ASSEMBLY 194220



NOTES

WIRING LEGEND



COLOR CODE

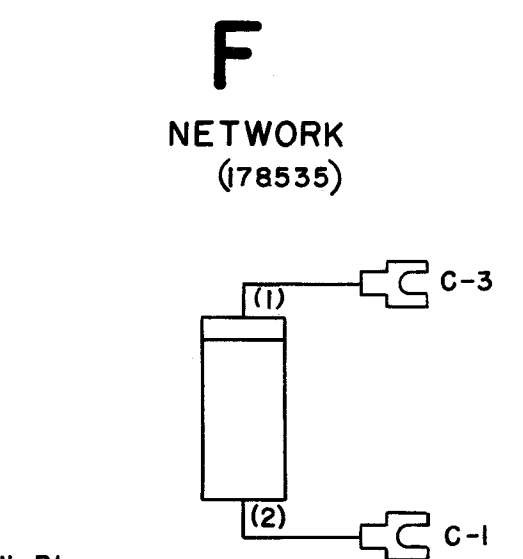
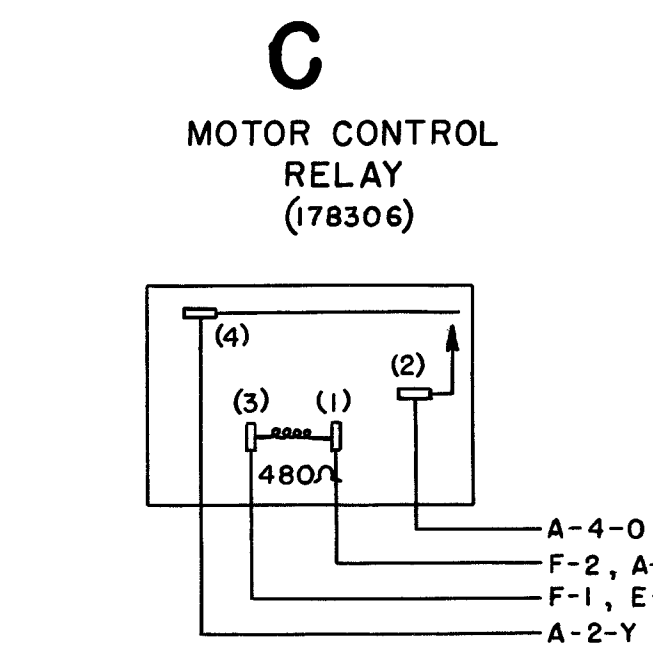
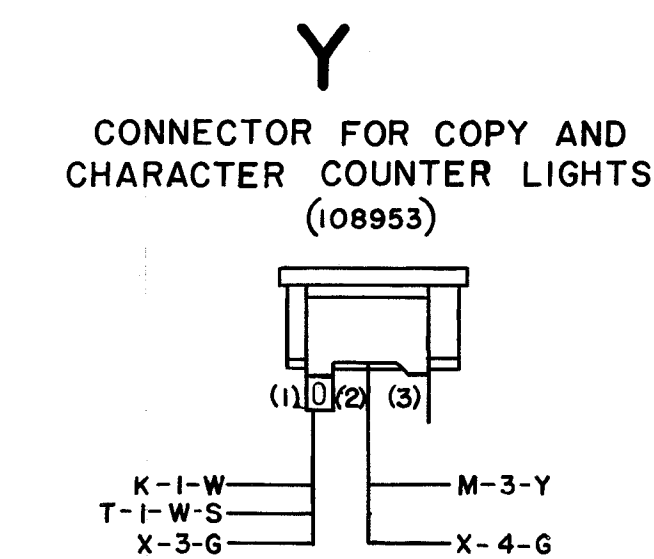
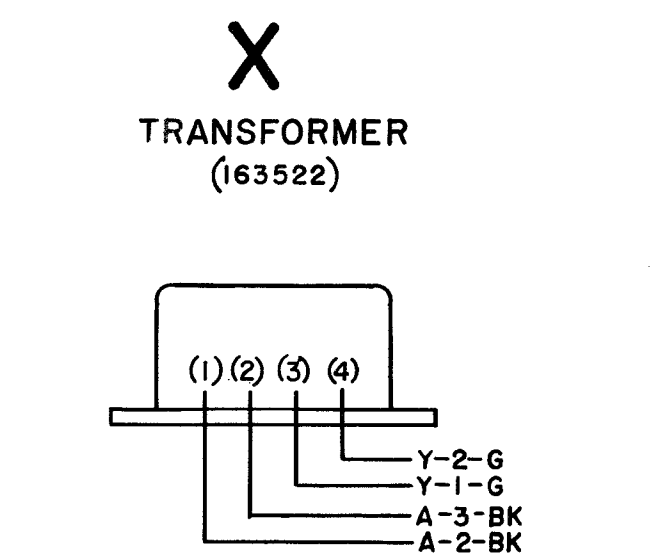
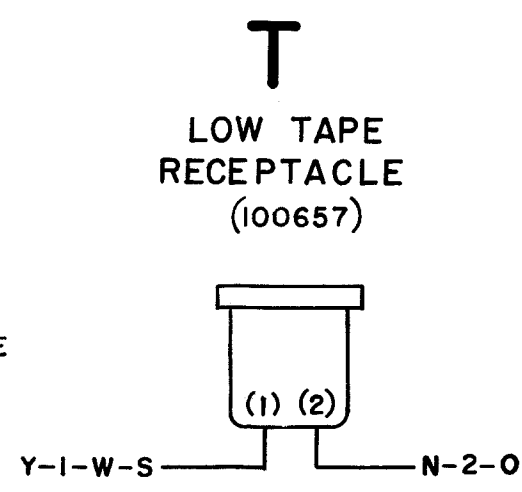
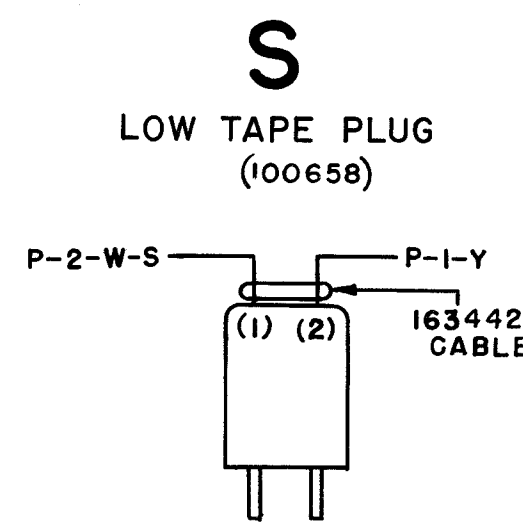
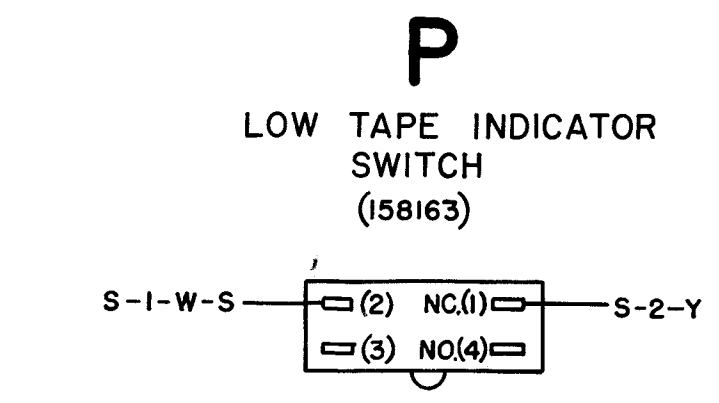
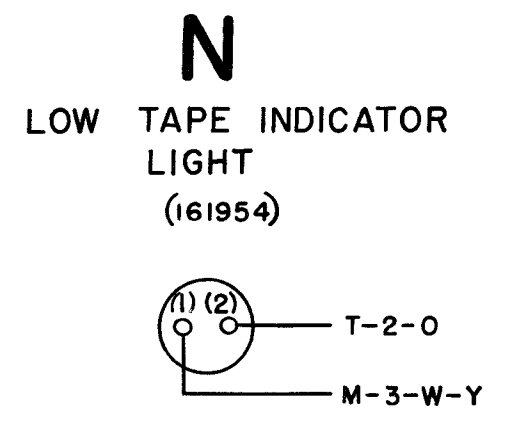
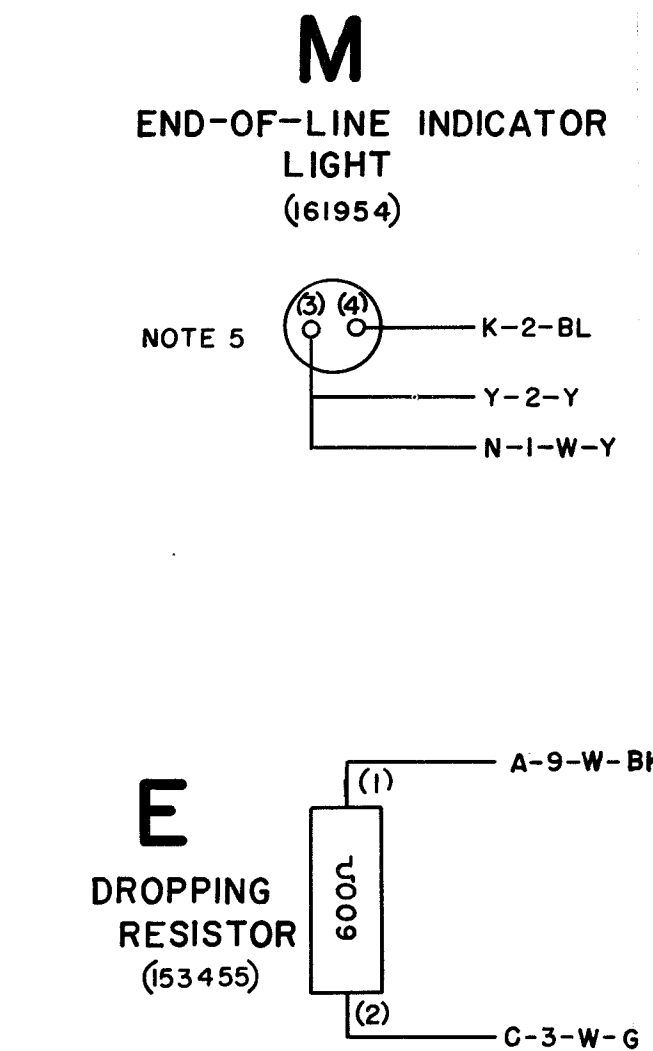
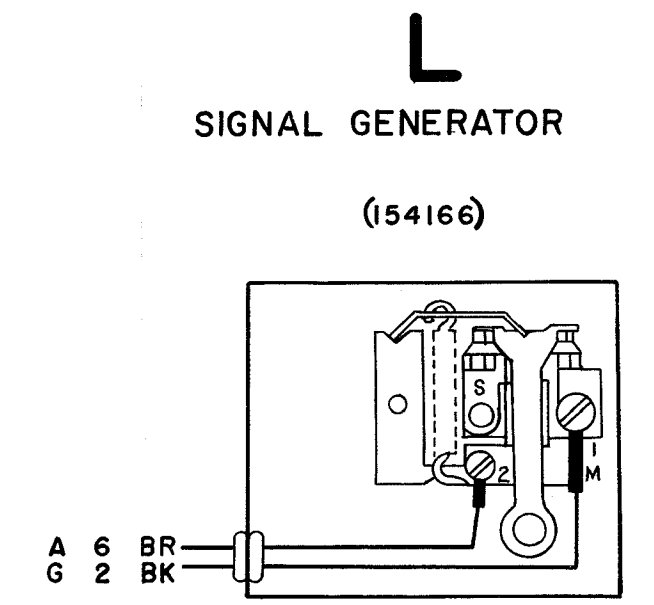
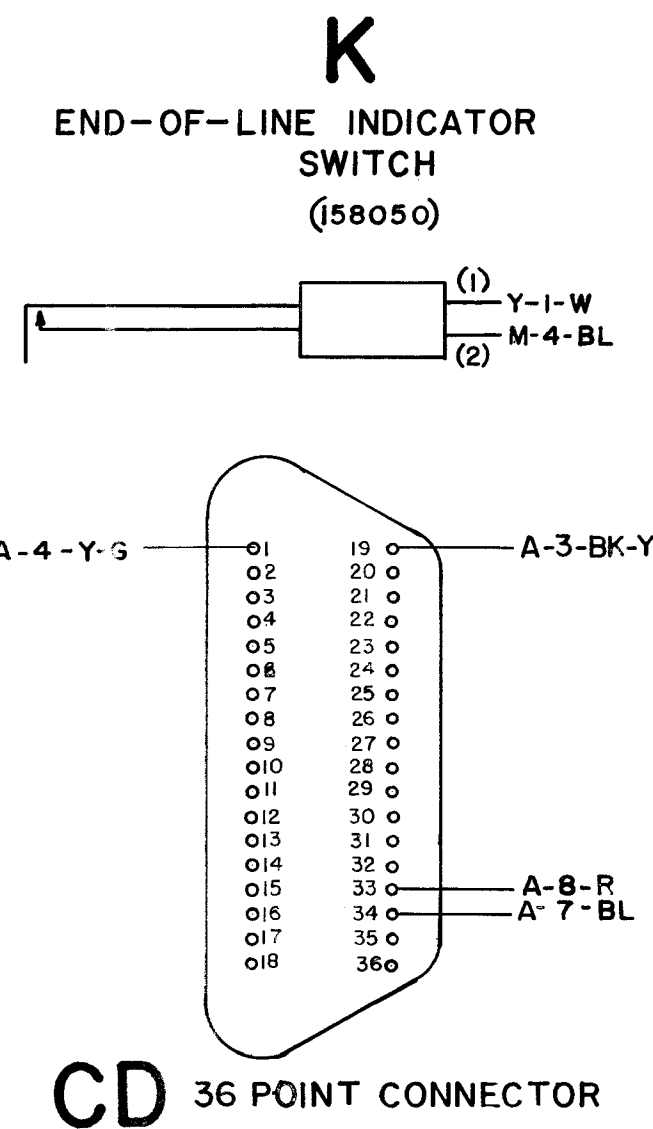
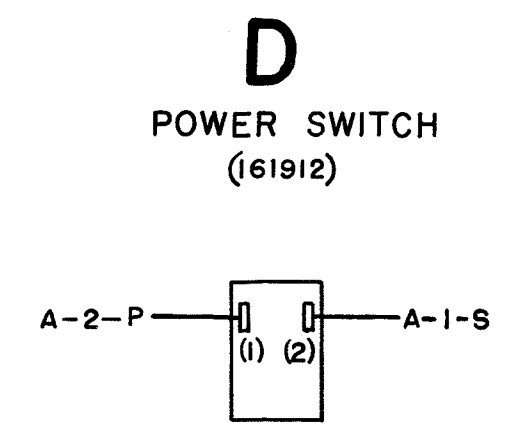
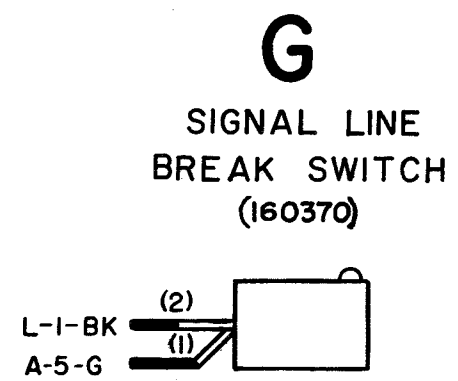
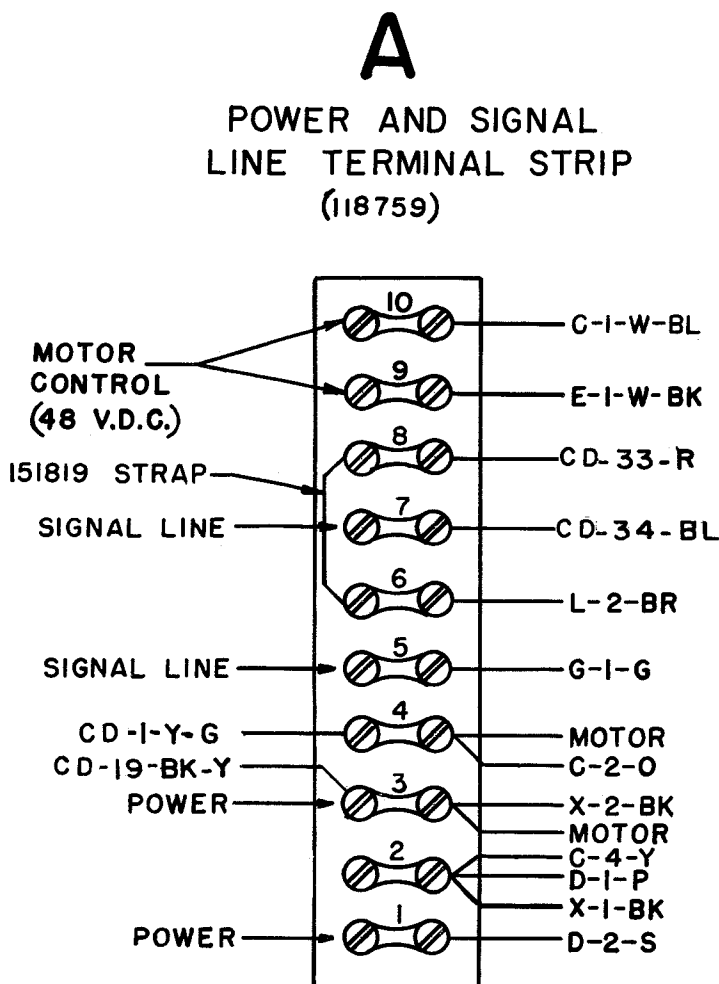
BK-BLACK	W-BK-WHITE-BLACK
BR-BROWN	W-R-WHITE-RED
O-ORANGE	W-O-WHITE-ORANGE
Y-YELLOW	W-Y-WHITE-YELLOW
G-GREEN	W-G-WHITE-GREEN
BL-BLUE	W-BL-WHITE-BLUE
P-PURPLE	W-S-WHITE-SLATE
S-SLATE	BK-R-BLACK-RED
W-WHITE	BK-Y-BLACK-YELLOW
	BK-G-BLACK-GREEN
	BK-S-BLACK-SLATE
	BR-G-BROWN-GREEN
	BR-BL-BROWN-BLUE
	R-BR-RED-BROWN
	Y-Y-RED-YELLOW
	R-BL-RED-BLUE
	R-S-RED-SLATE
	O-S-ORANGE-SLATE
	BL-G-BLUE-GREEN
	BL-S-BLUE-SLATE

3. CONNECT 151819 STRAP ON BASE GROUND TO REAR SPACER MOUNTING SCREW ON TAPE CONTAINER ASSEMBLY.

4. * INDICATES 18 GA. WIRE.

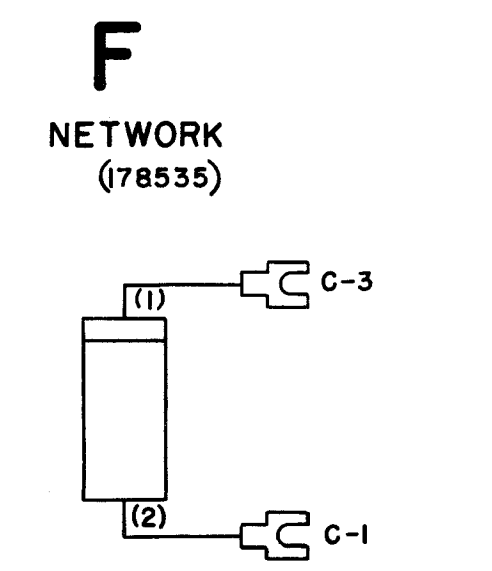
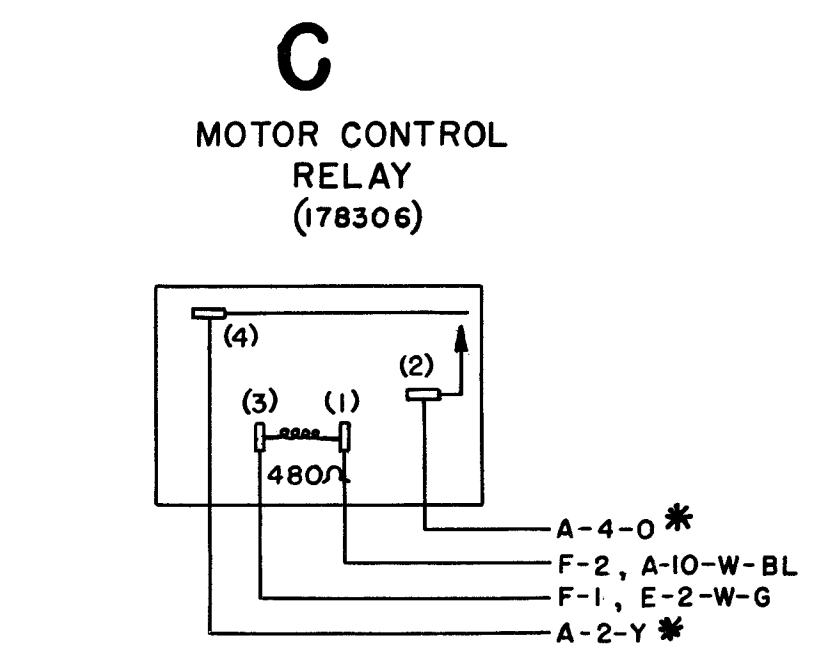
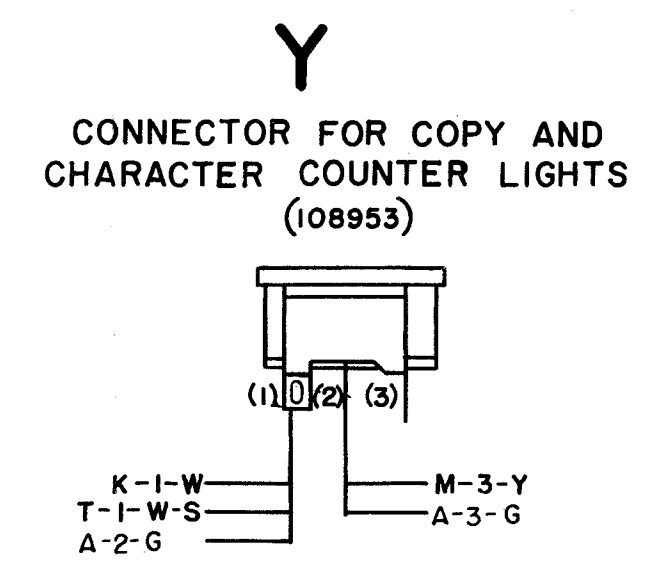
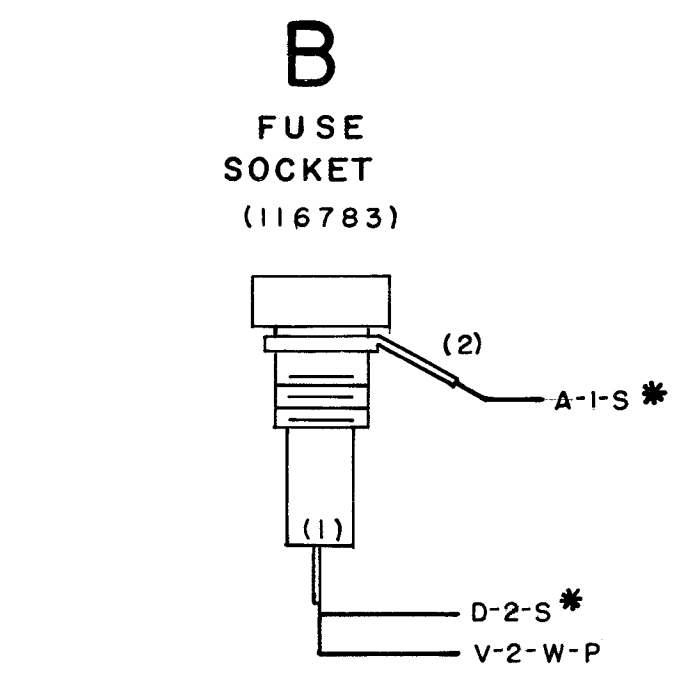
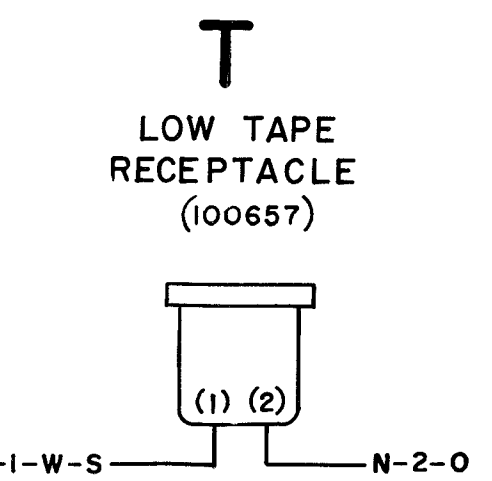
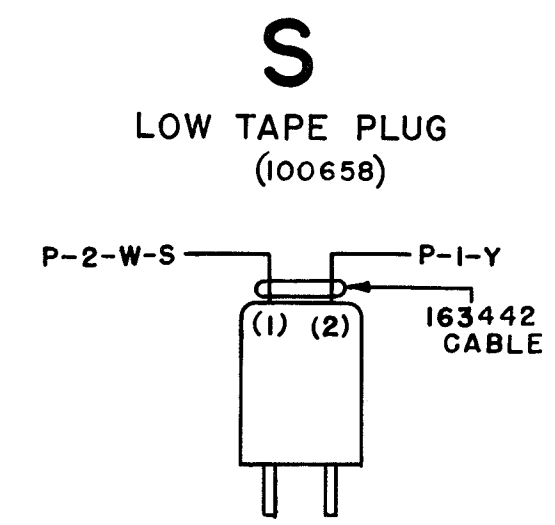
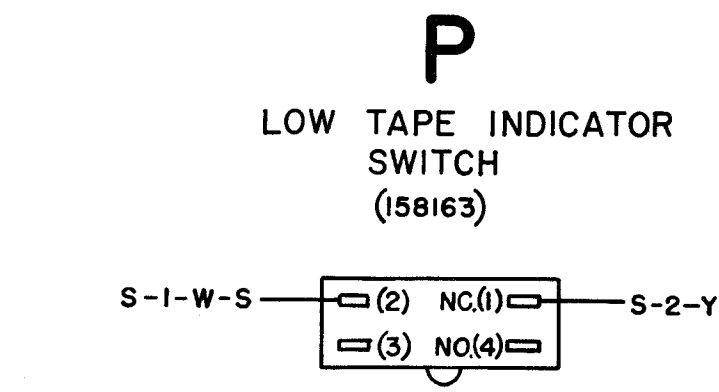
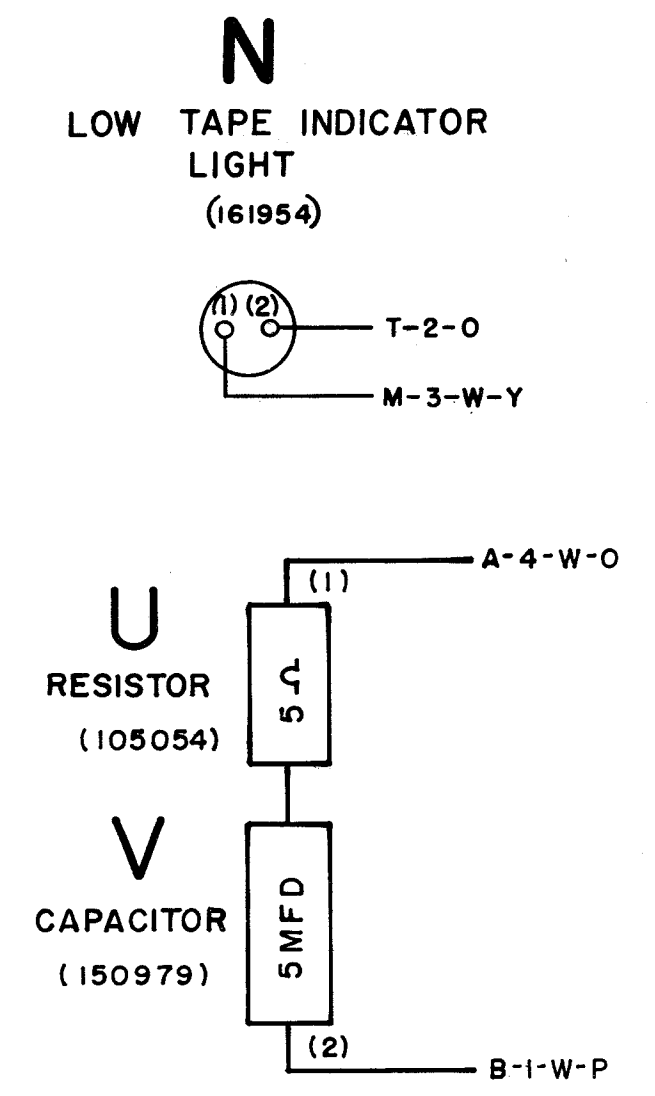
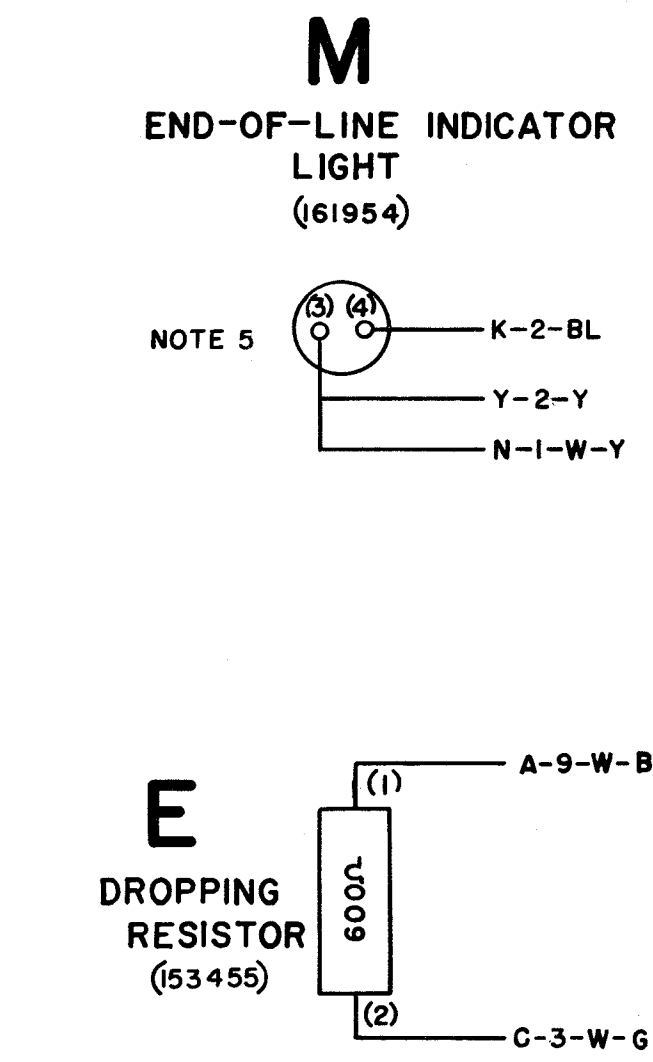
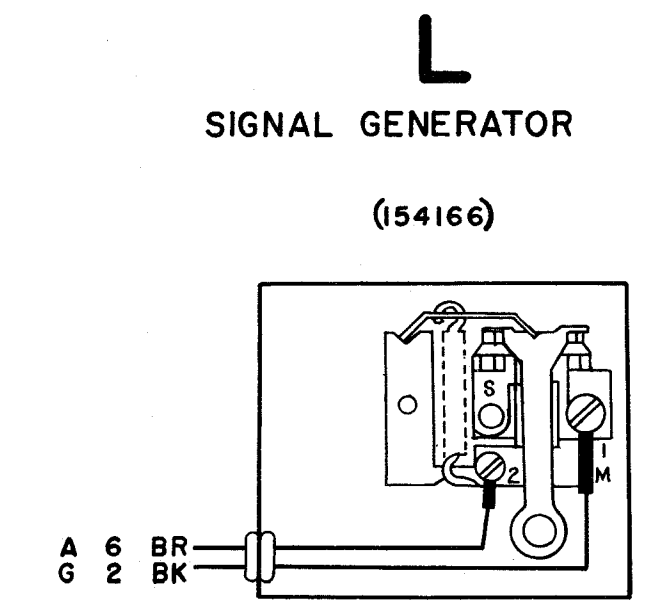
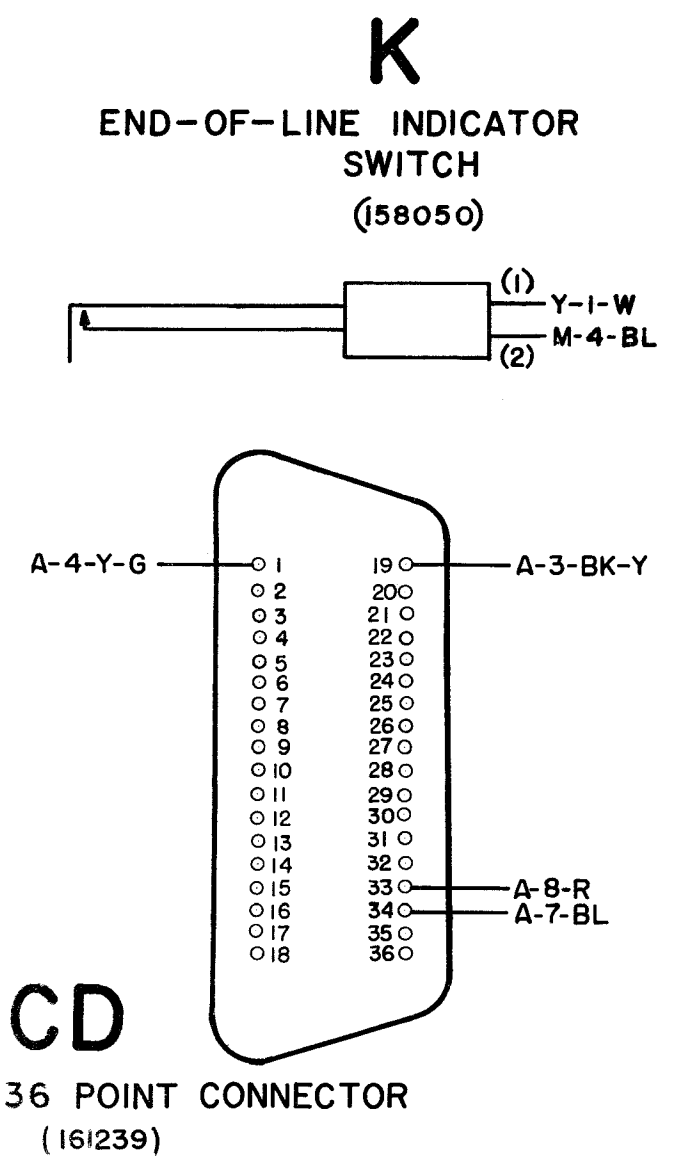
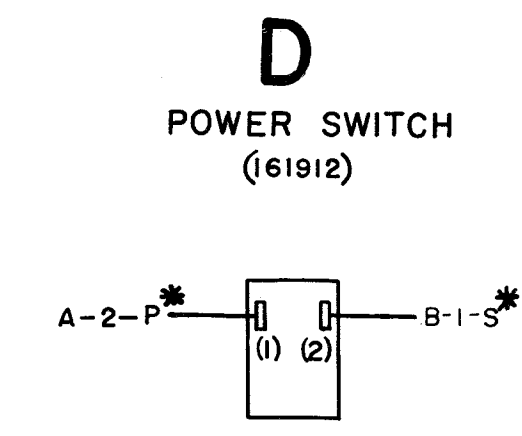
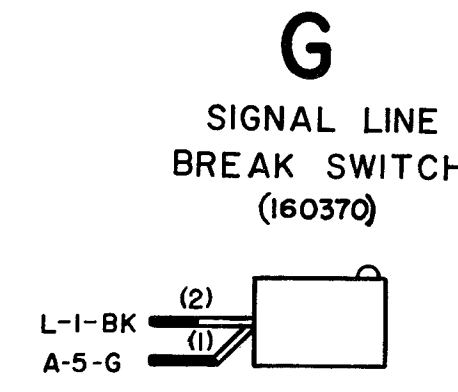
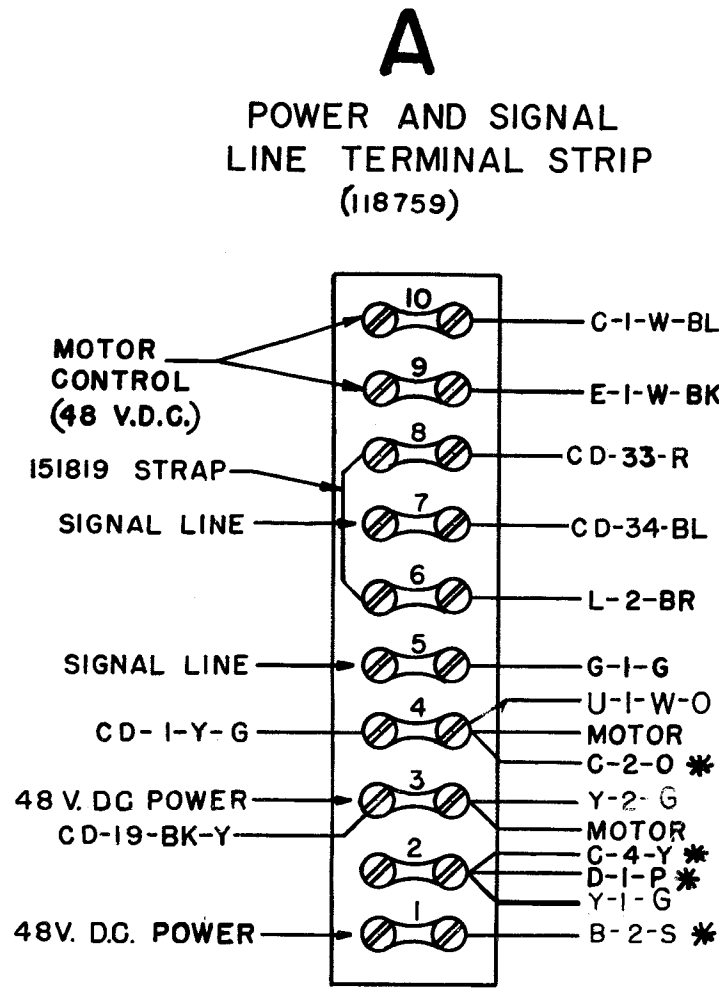
5. ALL CONNECTORS ARE VIEWED FROM SOLDER TERMINAL END.

NO.	NOTES																				
1.	<p>WIRING LEGEND</p> <p>DISTANT TERMINATING AREA DISTANT TERMINAL DESIGNATION</p> <p>A-1-W-BL</p> <p>WIRE COLOR CODE</p>																				
2.	<p>COLOR CODE</p> <table border="0"> <tr> <td>BK - BLACK</td> <td>W-BK WHITE - BLACK</td> </tr> <tr> <td>BR - BROWN</td> <td>W-BR WHITE - BROWN</td> </tr> <tr> <td>R - RED</td> <td>W-R WHITE - RED</td> </tr> <tr> <td>O - ORANGE</td> <td>W-O WHITE - ORANGE</td> </tr> <tr> <td>Y - YELLOW</td> <td>W-Y WHITE - YELLOW</td> </tr> <tr> <td>G - GREEN</td> <td>W-G WHITE - GREEN</td> </tr> <tr> <td>BL - BLUE</td> <td>W-BL WHITE - BLUE</td> </tr> <tr> <td>P - PURPLE</td> <td>W-P WHITE - PURPLE</td> </tr> <tr> <td>S - SLATE</td> <td>W-S WHITE - SLATE</td> </tr> <tr> <td>W - WHITE</td> <td></td> </tr> </table>	BK - BLACK	W-BK WHITE - BLACK	BR - BROWN	W-BR WHITE - BROWN	R - RED	W-R WHITE - RED	O - ORANGE	W-O WHITE - ORANGE	Y - YELLOW	W-Y WHITE - YELLOW	G - GREEN	W-G WHITE - GREEN	BL - BLUE	W-BL WHITE - BLUE	P - PURPLE	W-P WHITE - PURPLE	S - SLATE	W-S WHITE - SLATE	W - WHITE	
BK - BLACK	W-BK WHITE - BLACK																				
BR - BROWN	W-BR WHITE - BROWN																				
R - RED	W-R WHITE - RED																				
O - ORANGE	W-O WHITE - ORANGE																				
Y - YELLOW	W-Y WHITE - YELLOW																				
G - GREEN	W-G WHITE - GREEN																				
BL - BLUE	W-BL WHITE - BLUE																				
P - PURPLE	W-P WHITE - PURPLE																				
S - SLATE	W-S WHITE - SLATE																				
W - WHITE																					
3.	UNIT WIRED FOR 115 VOLTS AC POWER INPUT.																				
4.	CONNECTORS VIEWED FROM SOLDER TERMINAL ENDS.																				
5.	WHEN SOLDERING CABLE TO INDICATOR LIGHTS, BEND TERMINALS OUTWARD 90°.																				
6.	FOR SCHEMATIC SEE 4904 WD.																				



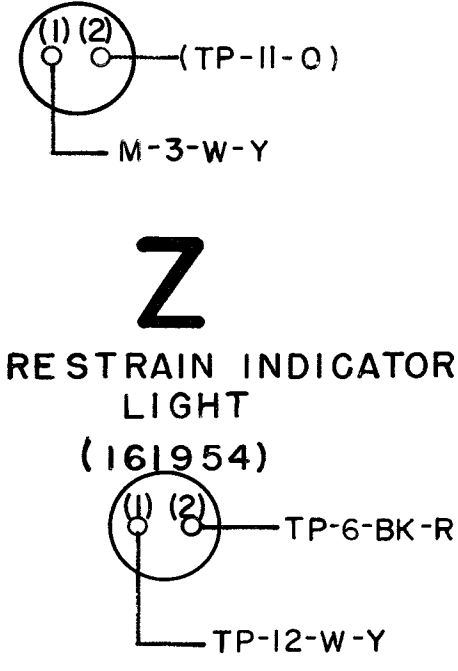
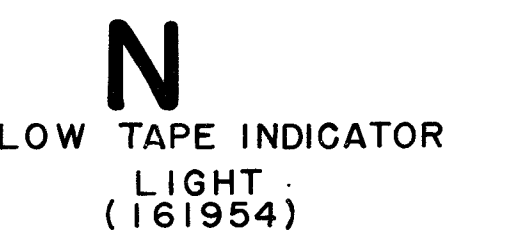
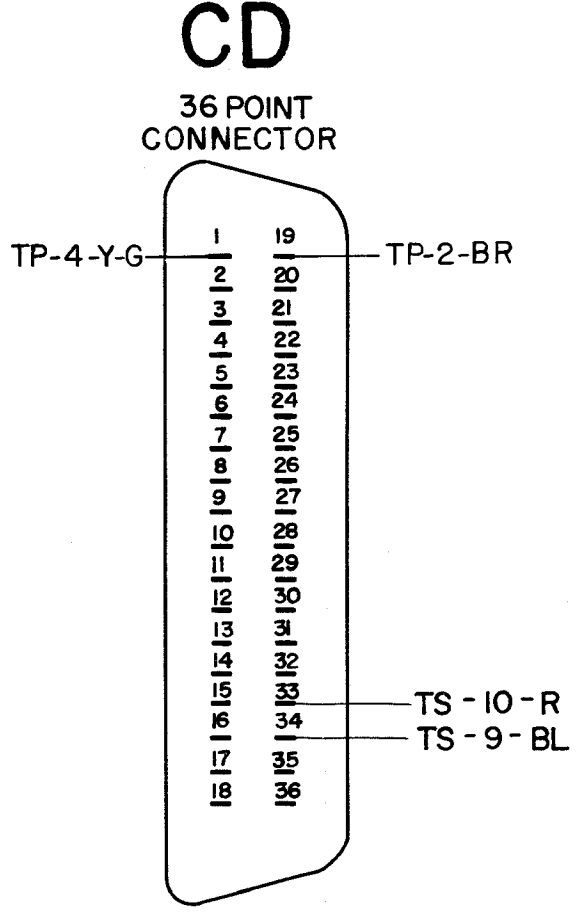
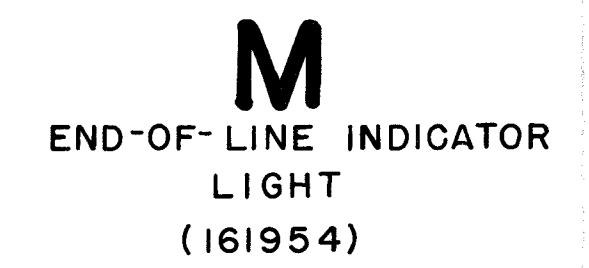
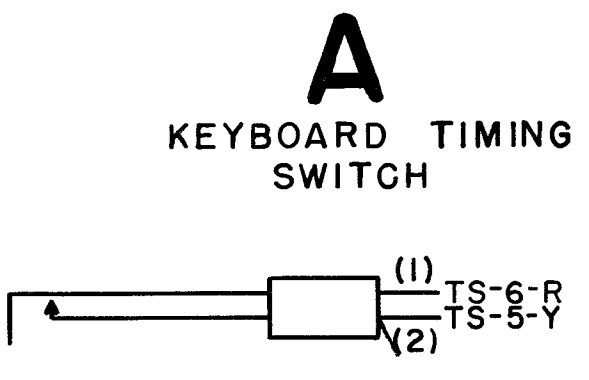
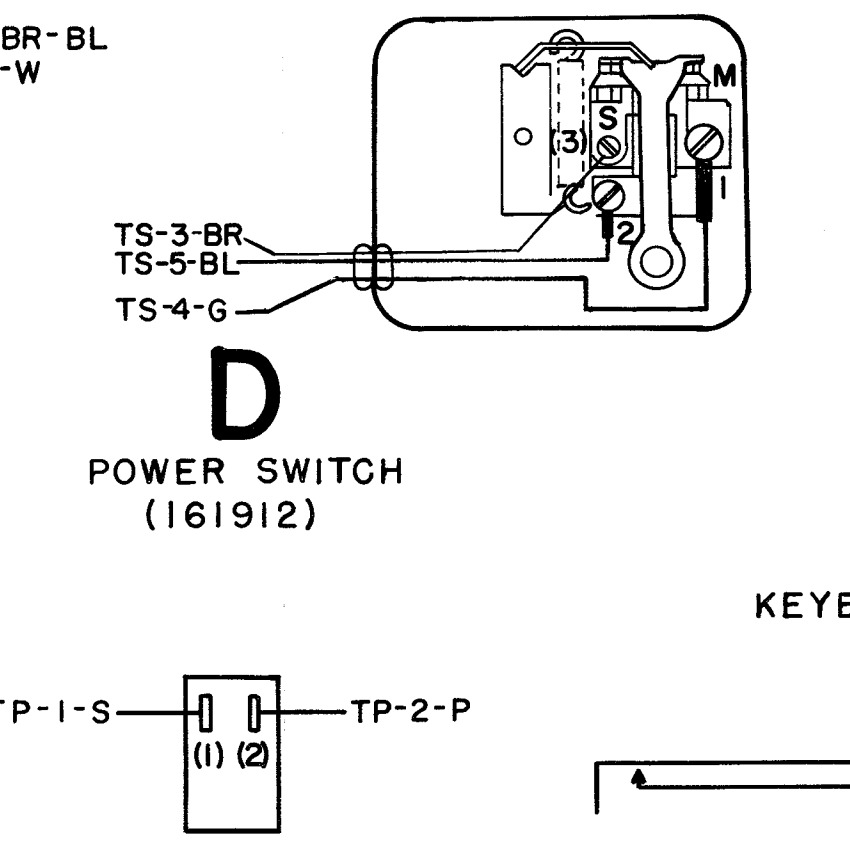
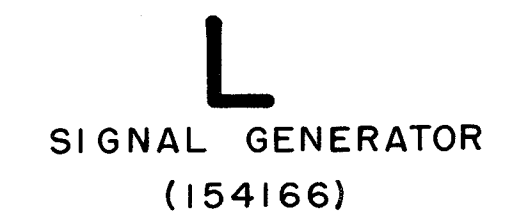
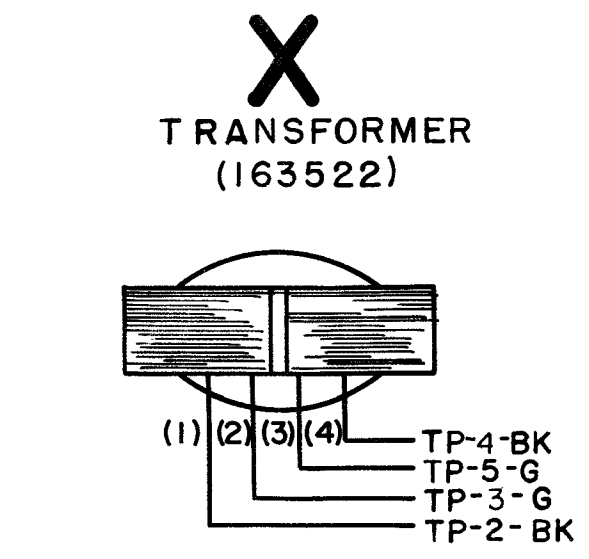
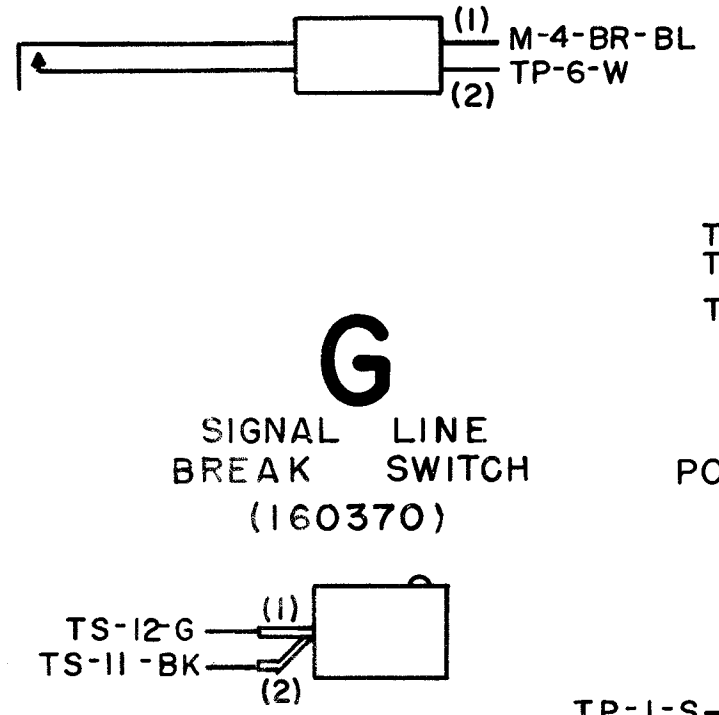
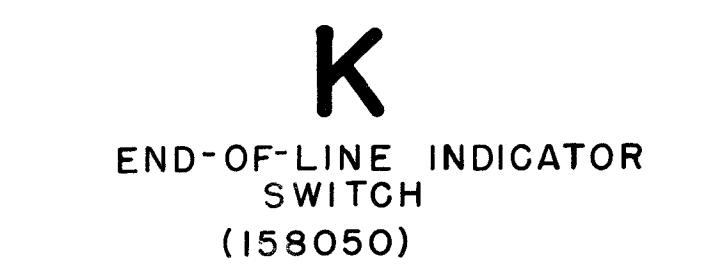
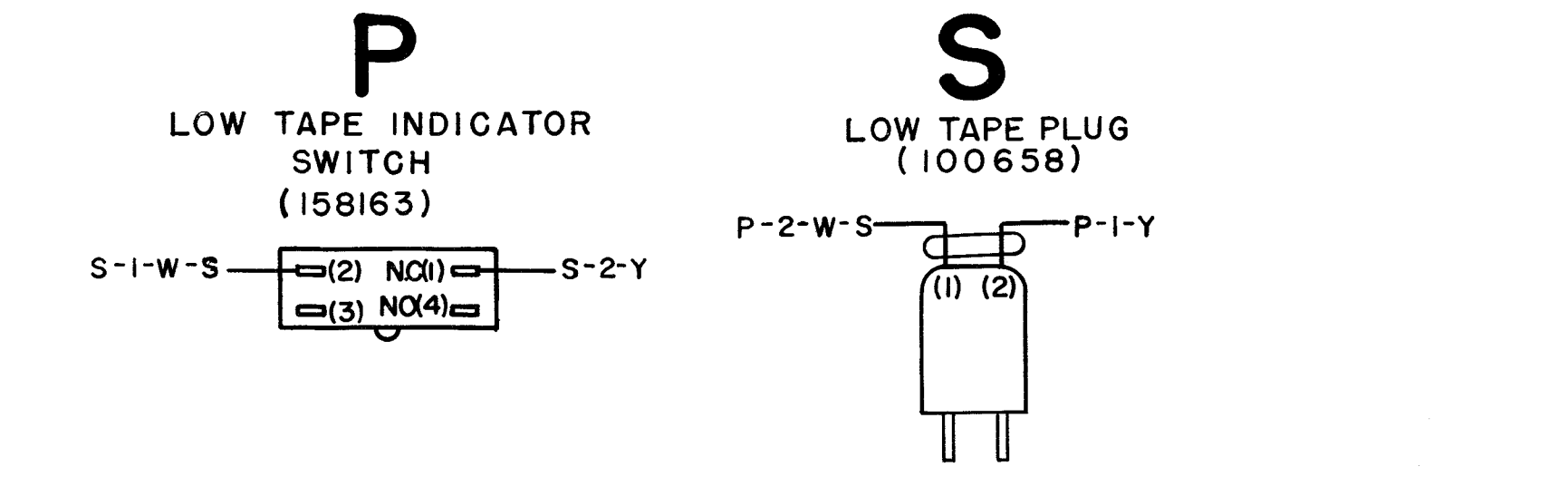
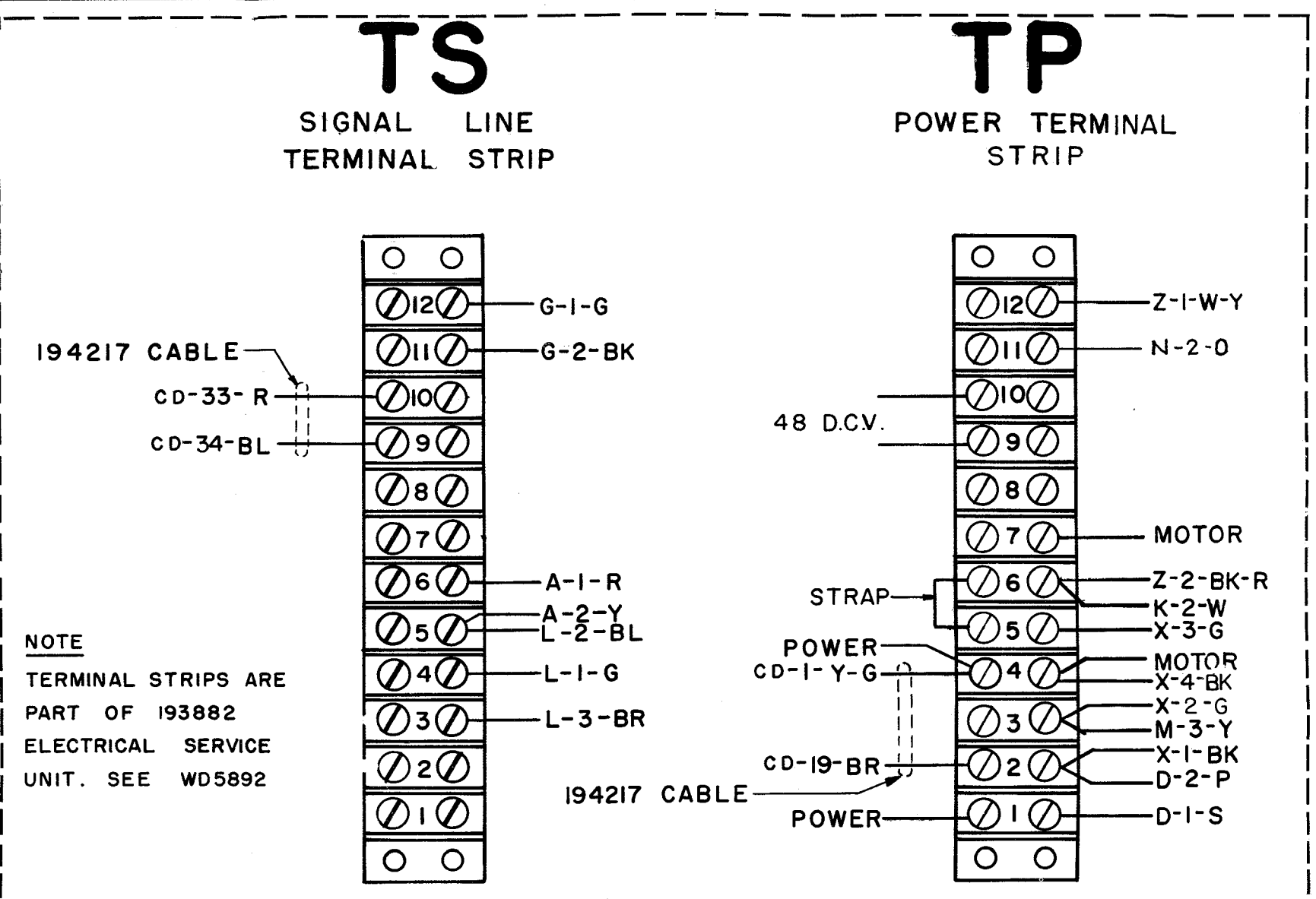
5868 WD		
REVISIONS		
ISSUE	DATE	AUTH. NO.
A	8-9-62	74179
APPROVALS		
D AND R	E OF M	
E-NUMBER		
PROD. 5868 WD		
ACTUAL WIRING DIAGRAM MODEL 35 TAPE PRINTER KEYBOARD LTPK 800		
DATE		
P.D. FILE NO.		
DRAWN: J.D. CHKD: [Signature]		
ENGR. J.R.C. APPD: [Signature]		
TELETYPE CORPORATION		
5868 WD		

- NO. NOTES
1. WIRING LEGEND
-
- DISTANT TERMINATING AREA
DISTANT TERMINAL DESIGNATION
- A-1-W-BL
WIRE COLOR CODE
2. COLOR CODE
- | | |
|------------|------------------|
| BK - BLACK | W-BK WHITE-BLACK |
| BR - BROWN | W-BR WHITE-BROWN |
| R - RED | W-R WHITE-RED |
| O - ORANGE | W-O WHITE-ORANGE |
| Y - YELLOW | W-Y WHITE-YELLOW |
| G - GREEN | W-G WHITE-GREEN |
| BL - BLUE | W-BL WHITE-BLUE |
| P - PURPLE | W-P WHITE-PURPLE |
| S - SLATE | W-S WHITE-SLATE |
| W - WHITE | |
3. UNIT WIRED FOR 48 VOLTS DC POWER INPUT.
4. CONNECTORS VIEWED FROM SOLDER TERMINAL ENDS. * INDICATES 18 GA. WIRE.
5. BEND TERMINALS ON INDICATOR LIGHTS OUTWARD 90° WHEN NECESSARY TO OBTAIN CLEARANCE BETWEEN THE BOTTOM OF THE TERMINALS AND THE BASE.
6. FOR SCHEMATIC SEE 4904 WD.



5890 WD		
REVISONS		
ISSUE	DATE	AUTH NO.
A	8-9-62	74179
B	10-25-62	74919
APPROVALS		
D AND R.	E OF M	
E-NUMBER		
PROD. 5890 WD		
ACTUAL WIRING DIAGRAM MODEL 35 TAPE PRINTER KEYBOARD LTPK 801		
DATE		
P.D. FILE NO.		
DRAWN: J.D. CHKD: J.D.		
ENGD. J.A.C. APPD: J.D.		
TELETYPE CORPORATION		
5890 WD		

NOTES	
1	WIRING LEGEND
2	COLOR CODE BK- BLACK G - GREEN BR- BROWN BL- BLUE R - RED P- PURPLE O - ORANGE S - SLATE Y- YELLOW W - WHITE



5934WD		
REVISIONS		
ISSUE	DATE	AUTH NO.
APPROVALS		
D AND R E OF M		
E NUMBER		
PRD NO 5934 WD		
ACTUAL WIRING DIAGRAM FOR MODEL 35 KEYBOARD LTPK-802		
DATE: 7-5-62		
PD FILE		
DRW. 612 CHK. ENG. JACIAPP		
TELETYPE CORPORATION		
5934WD		