

28 APPARATUS CABINET (LBAC) FOR REPERFORATOR TRANSMITTER SETS

PARTS

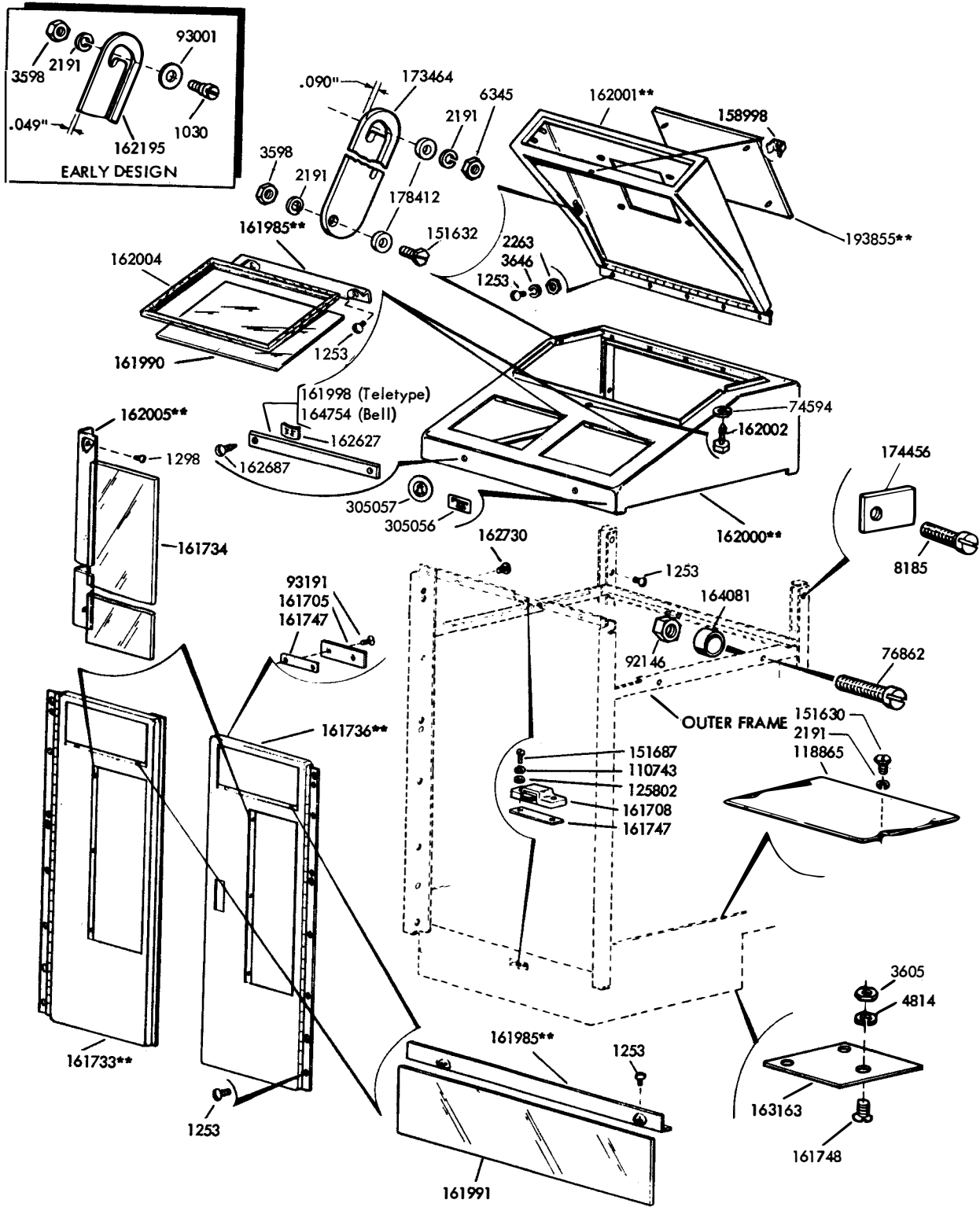
FIGURE	CONTENTS	PAGE	FIGURE	CONTENTS	PAGE
1	Front Doors and Dome	2	11	Relay Unit and Frame	12
2	161999** Modification Kit to Provide End Enclosures	3	12	Cable Assemblies	13
3	Rear Doors and Latch Mechanism	4	13	Relay Mounting and Componets	14
4	Channel Mounting	5	14	Panel and Components	15
5	Electrical Components	6	15	Mounting Rack Frame	16
6	Control Panel and Terminal Blocks	7	16	176139 Modification Kit to Add Ball Bearing Slides for Reperforator Transmitter Sets	17
7	Line Relay Mounting Components	8	17	Plate Assembly	18
8	Relay Mounting and Componets	9	18	Front Doors and Dome	19
9	Control Plate and Components	10		Numerical Index	20
10	Rectifier Mounting Parts and Control Plate Components	11			

PAINT FINISH COLOR CODE CHART (for parts and assemblies requiring a paint finish)									
Color	Finish Suffixes				Color	Finish Suffixes			
	Wrinkle Finish	Smooth Finish	Textured Vinyl	Smooth Vinyl		Wrinkle Finish	Smooth Finish	Textured Vinyl	Smooth Vinyl
Beige		ET			Gray, Federal		BV	GG	
Beige, Light		EL		HC	Gray, Green	AB (40)	BK	GA (45)	
Beige, Rose		ER			Gray, Light		EJ		HB (68)
Black	AA (37)				Gray, Covert		EW	GE	HE
Black, High Gloss		BA (34)			Gray, Olive				HF (46)
Black, Semi Gloss		BB			Gray, Maritime Deck	AJ	BJ		
Blue, Aqua		EK			Gray, Oxford		EP		
Blue, Brussels Light		EC			Green, Gray	AB (40)	BK	GA (45)	
Blue, Medium		ES			Green, Moss		EN		HD
Brown, Dark	AD (38)			HG	Ivory		EM		
Brown, Light	AC (39)				Pink, Rose		EU		
Fawn					Turquoise		EV		
Gray, Beige			GC		White		EH		
Gray, Charcoal	AL	BZ	GF	HA	Yellow, Pastel		EG		
Gray, Dark			GB						

The double asterisk (\*\*) denotes a painted part. Suffix to be applied following the part number. Number in parentheses indicates Bell System code

NOTE:  
When ordering parts from this section, prefix each number with the letters TP.

UNIT	TELETYPE CODE	BELL SYSTEM CODE
RT CABINET	LBAC212**	28A**
	LBAC220**	28B**
TURNING CABINET	LBAC221**	28A**



\*\*Refer to page 1 for finish suffix

FIGURE 1. FRONT DOORS AND DOME

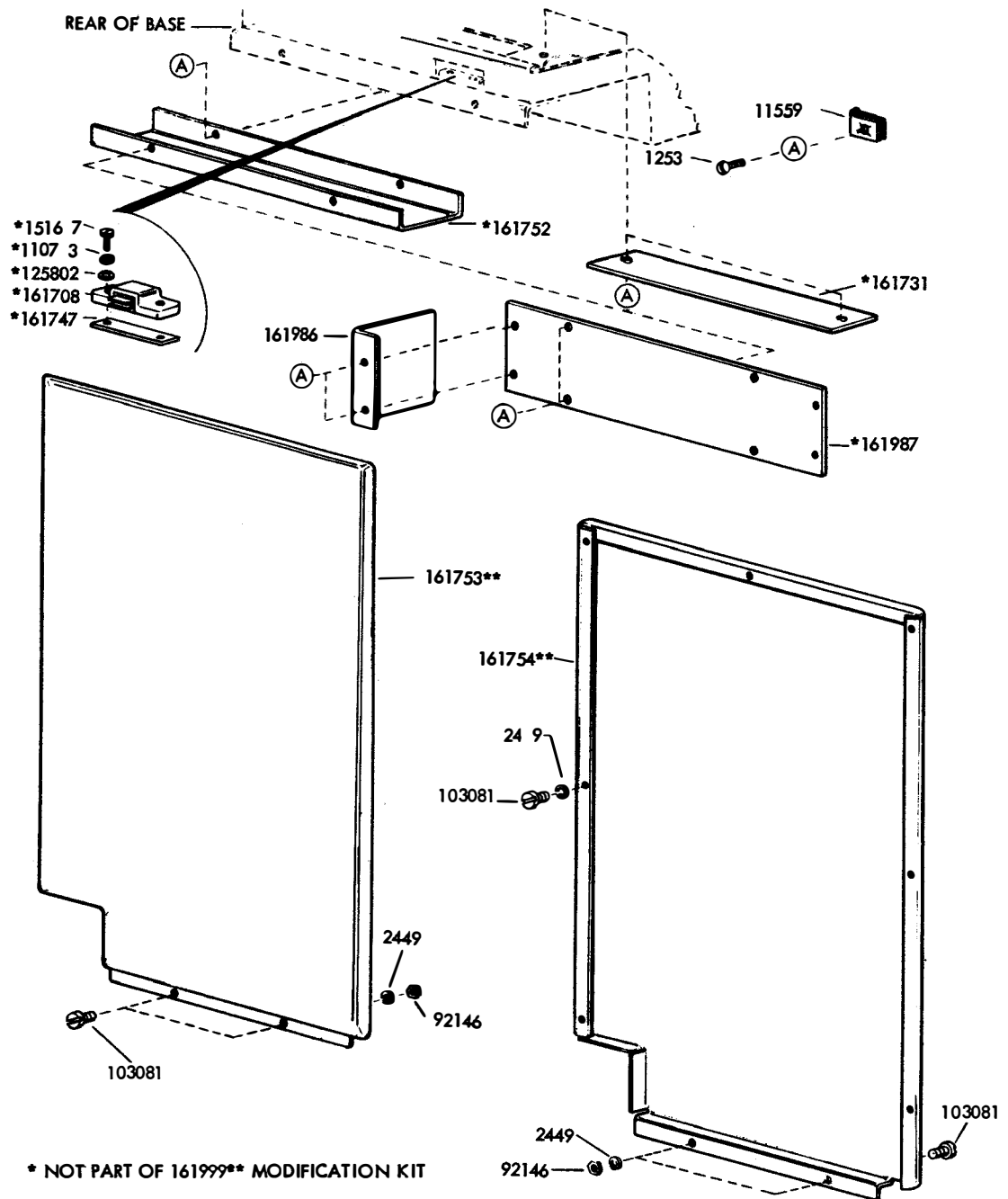
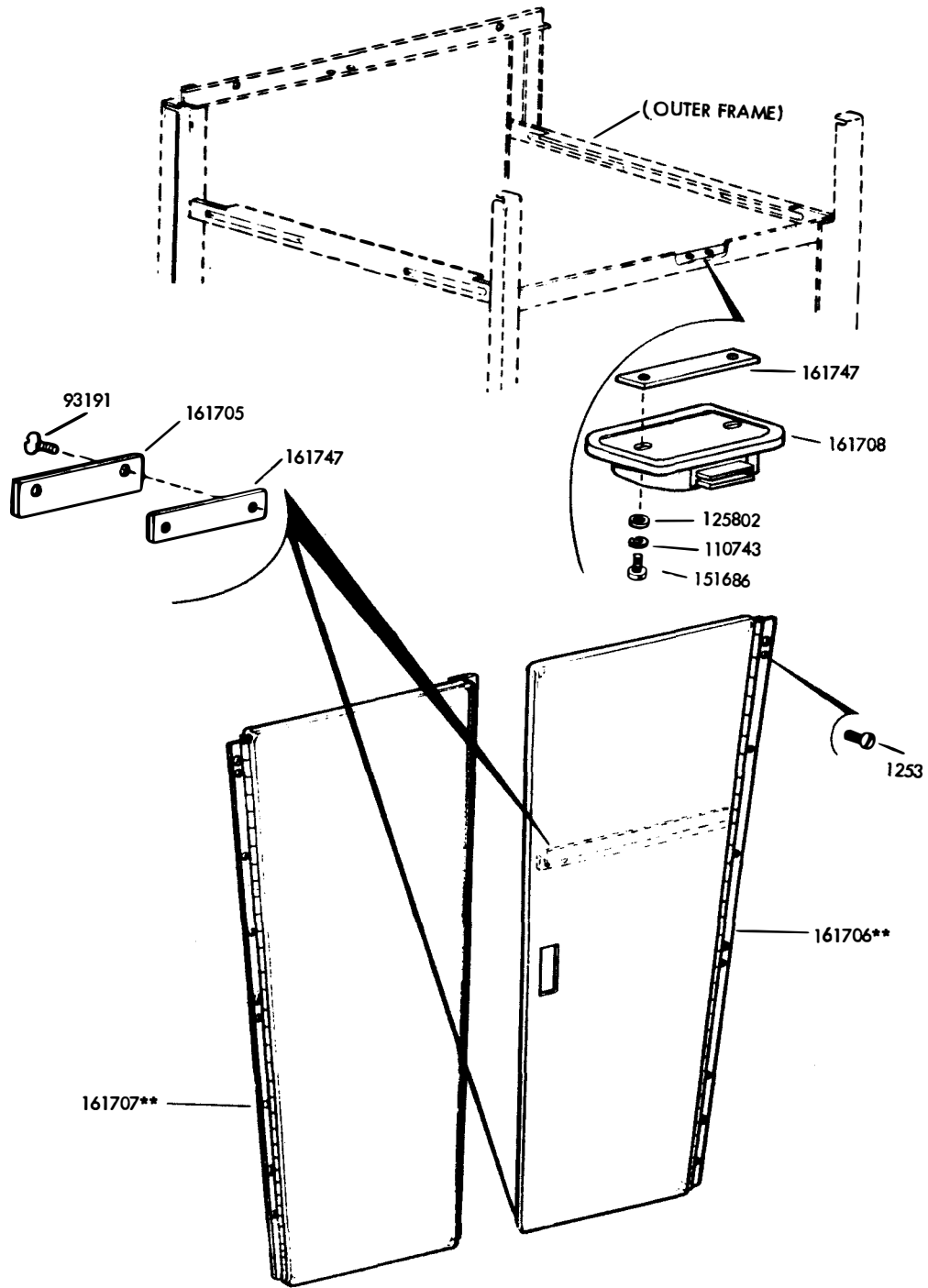


FIGURE 2. 161999\*\* MODIFICATION KIT TO PROVIDE END ENCLOSURES



\*\*Refer to page 1 for finish suffix

FIGURE 3. REAR DOORS AND LATCH MECHANISM

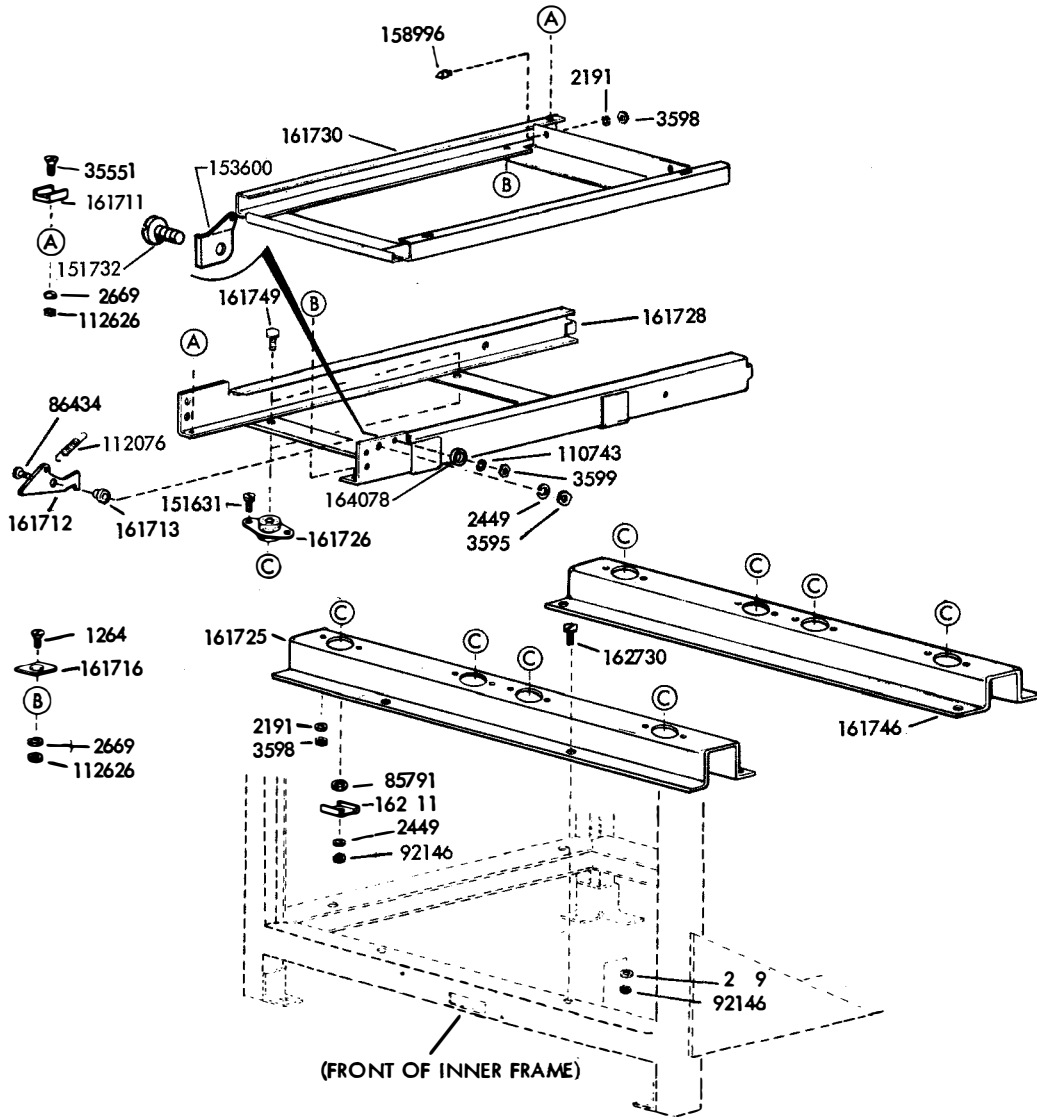


FIGURE 4. CHANNELS

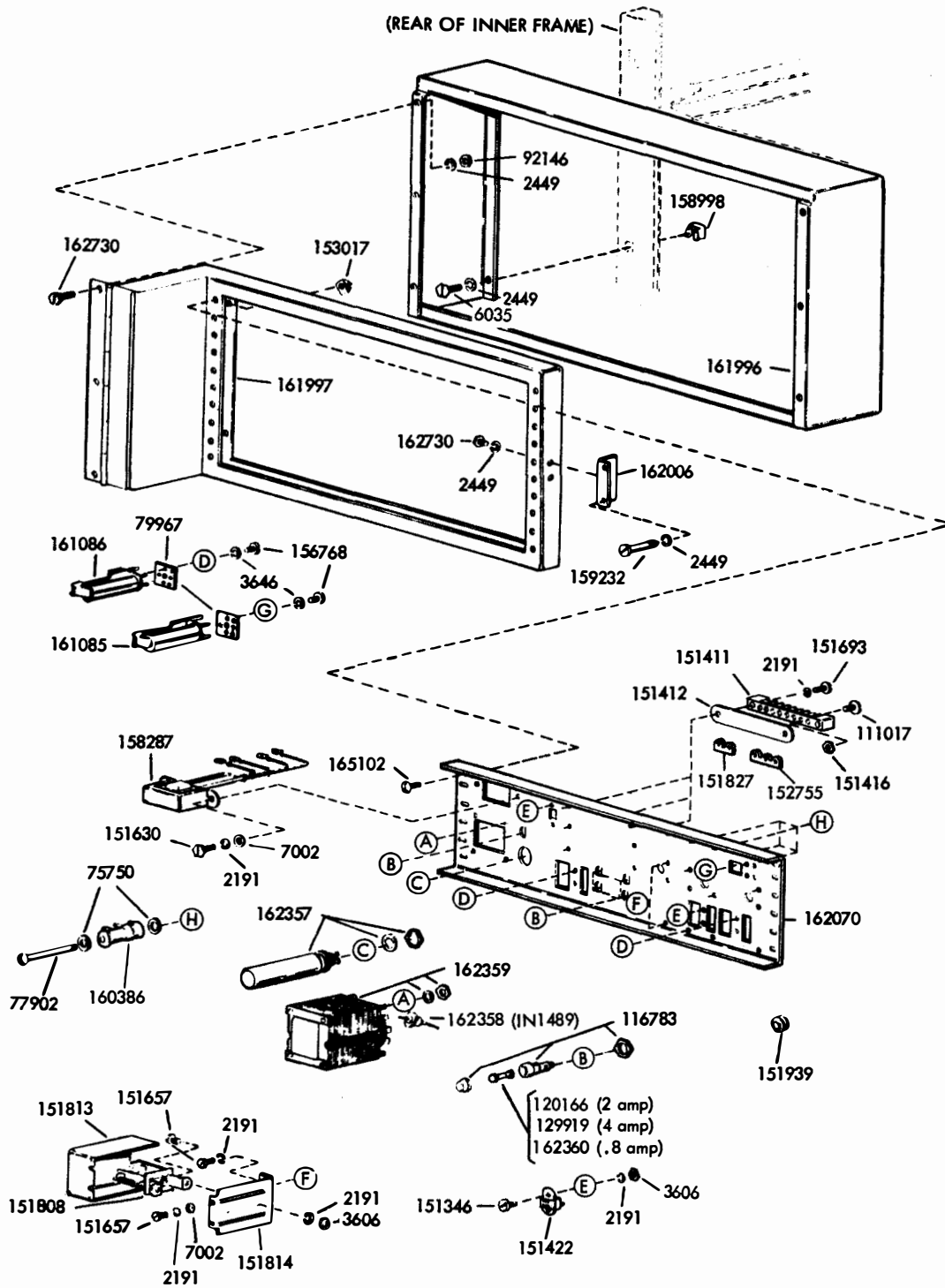


FIGURE 5. ELECTRICAL COMPONENTS

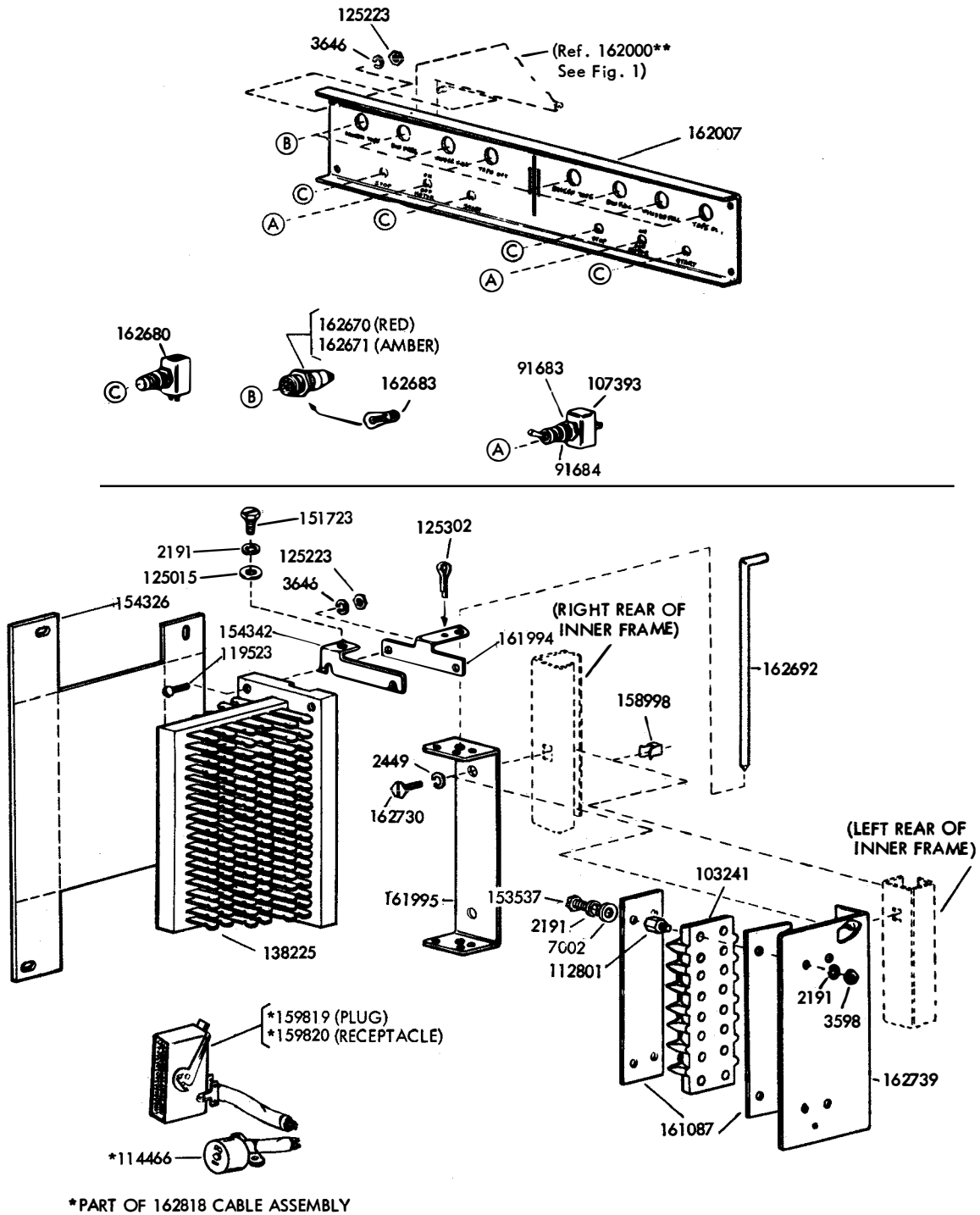


FIGURE 6. CONTROL PANEL AND TERMINAL BLOCKS

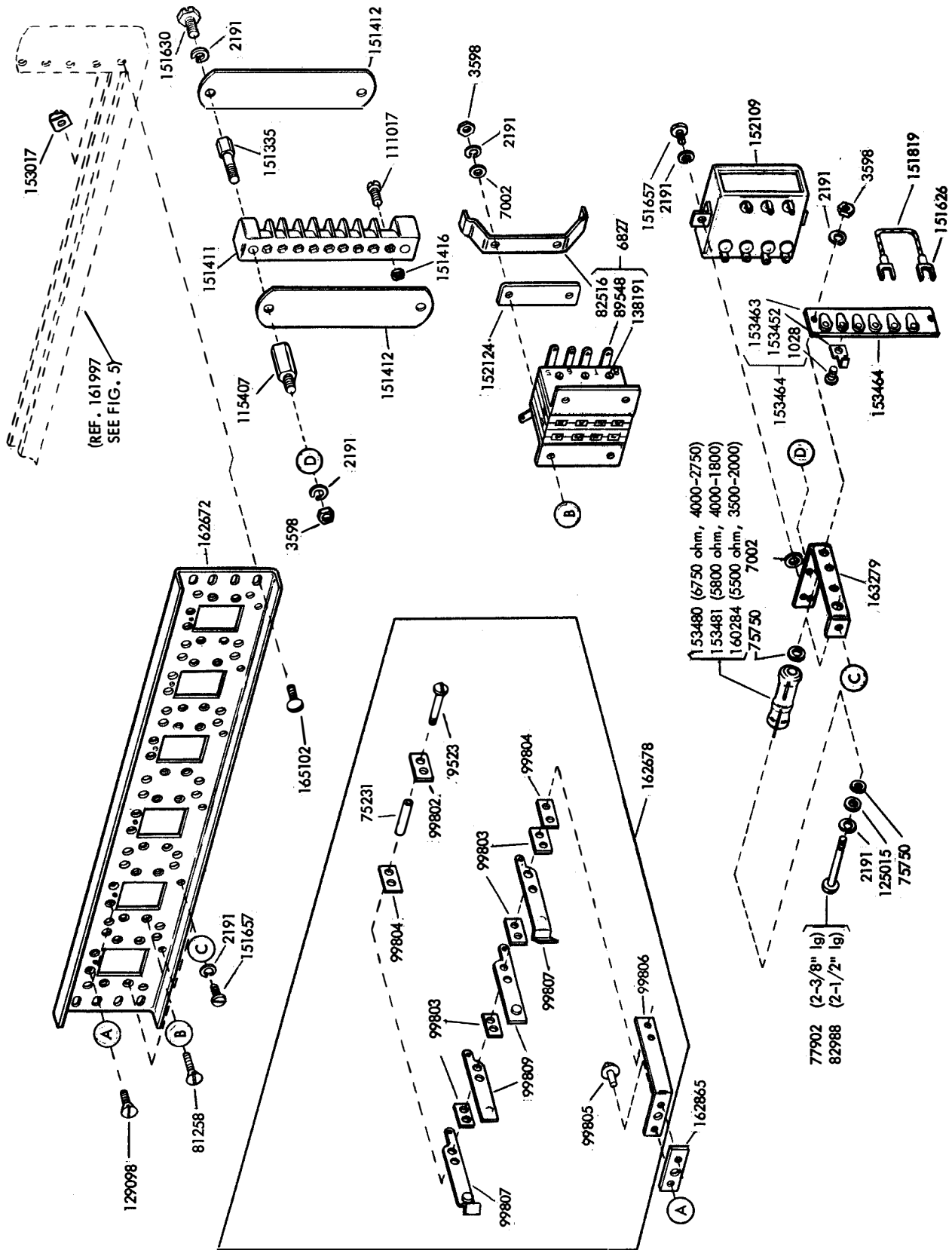


FIGURE 7. LINE RELAY MOUNTING COMPONENTS



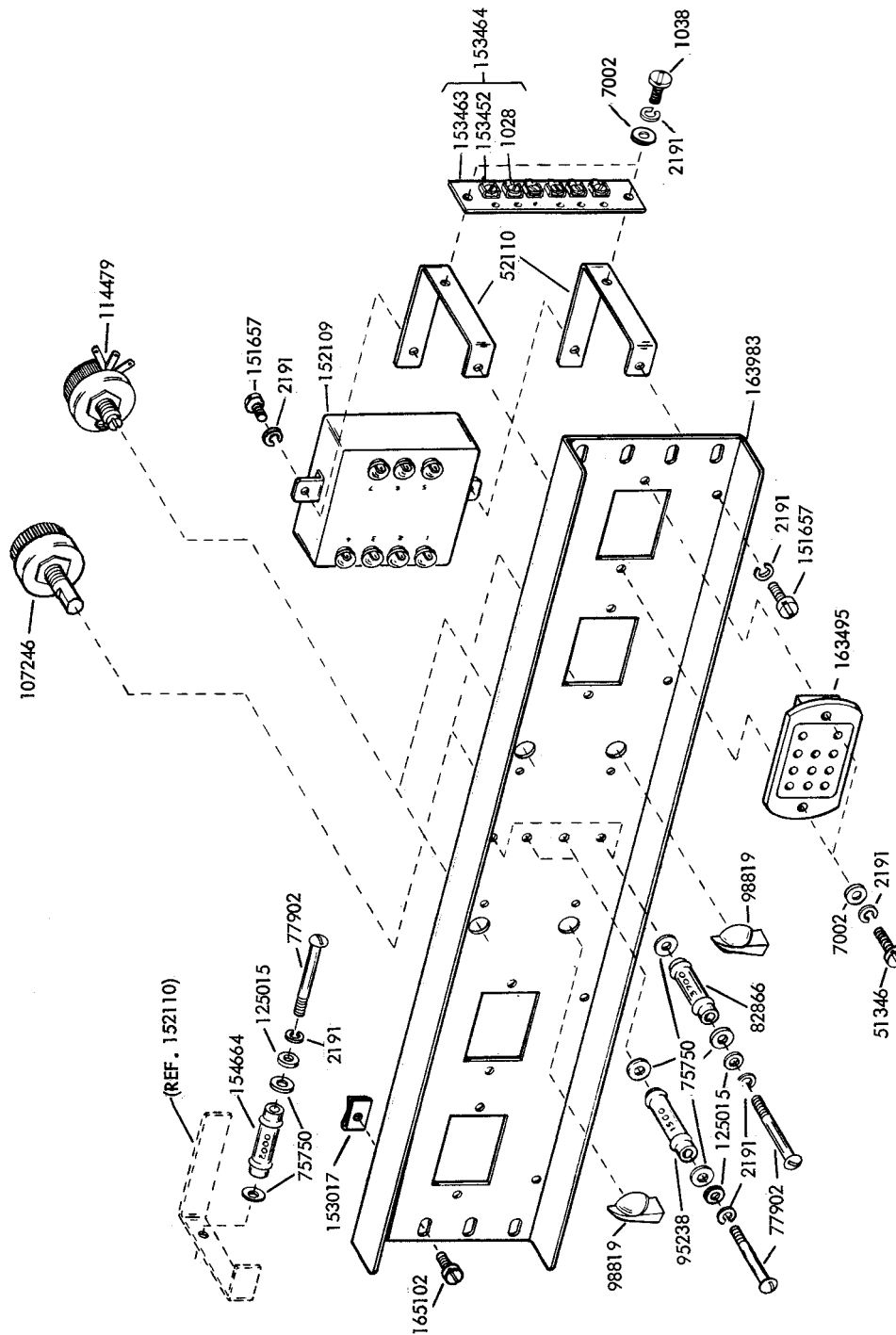


FIGURE 8. RELAY MOUNTING AND COMPONENTS

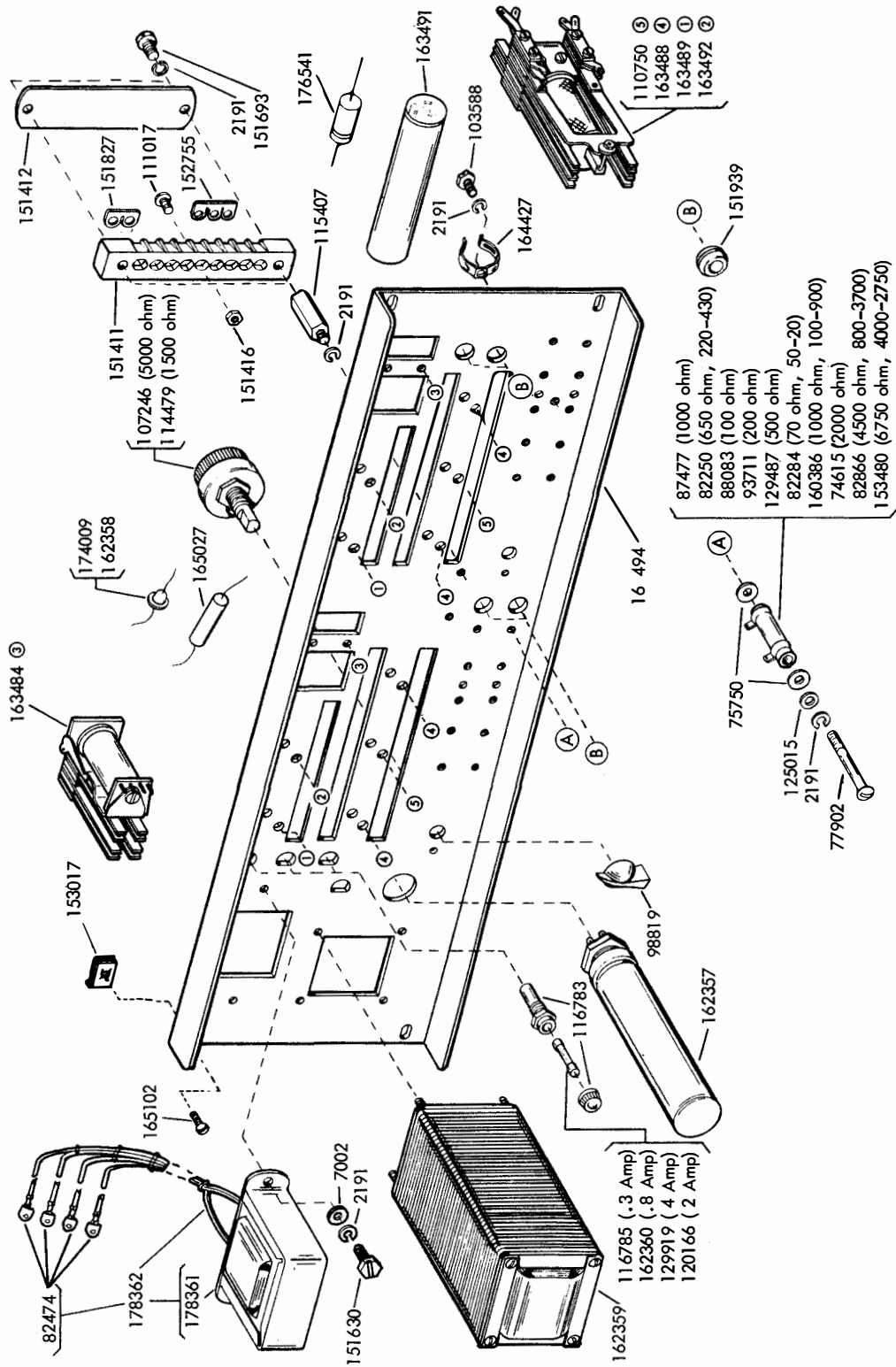


FIGURE 9. CONTROL PLATE AND COMPONENTS

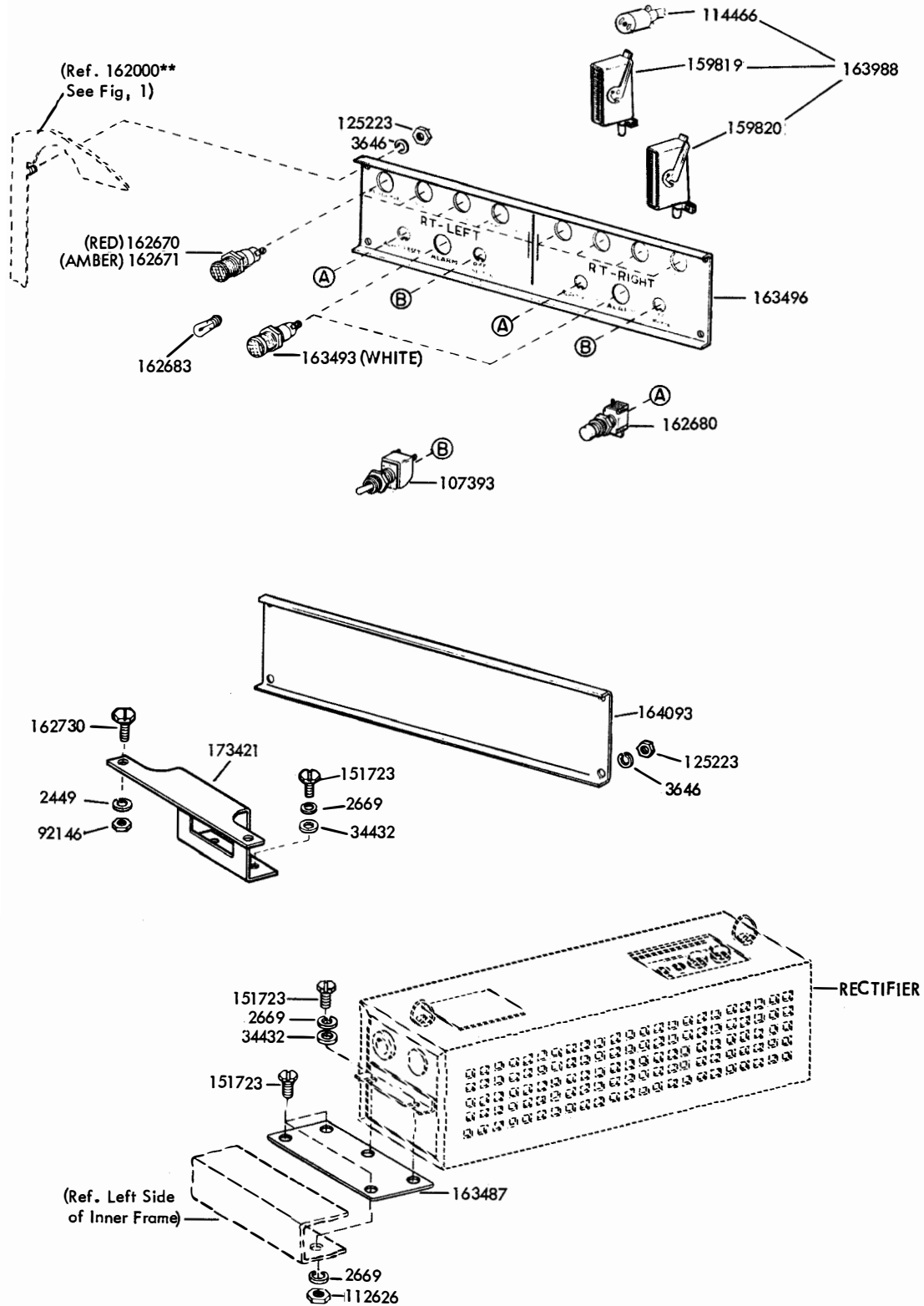


FIGURE 10. RECTIFIER MOUNTING PARTS AND CONTROL PLATE COMPONENTS



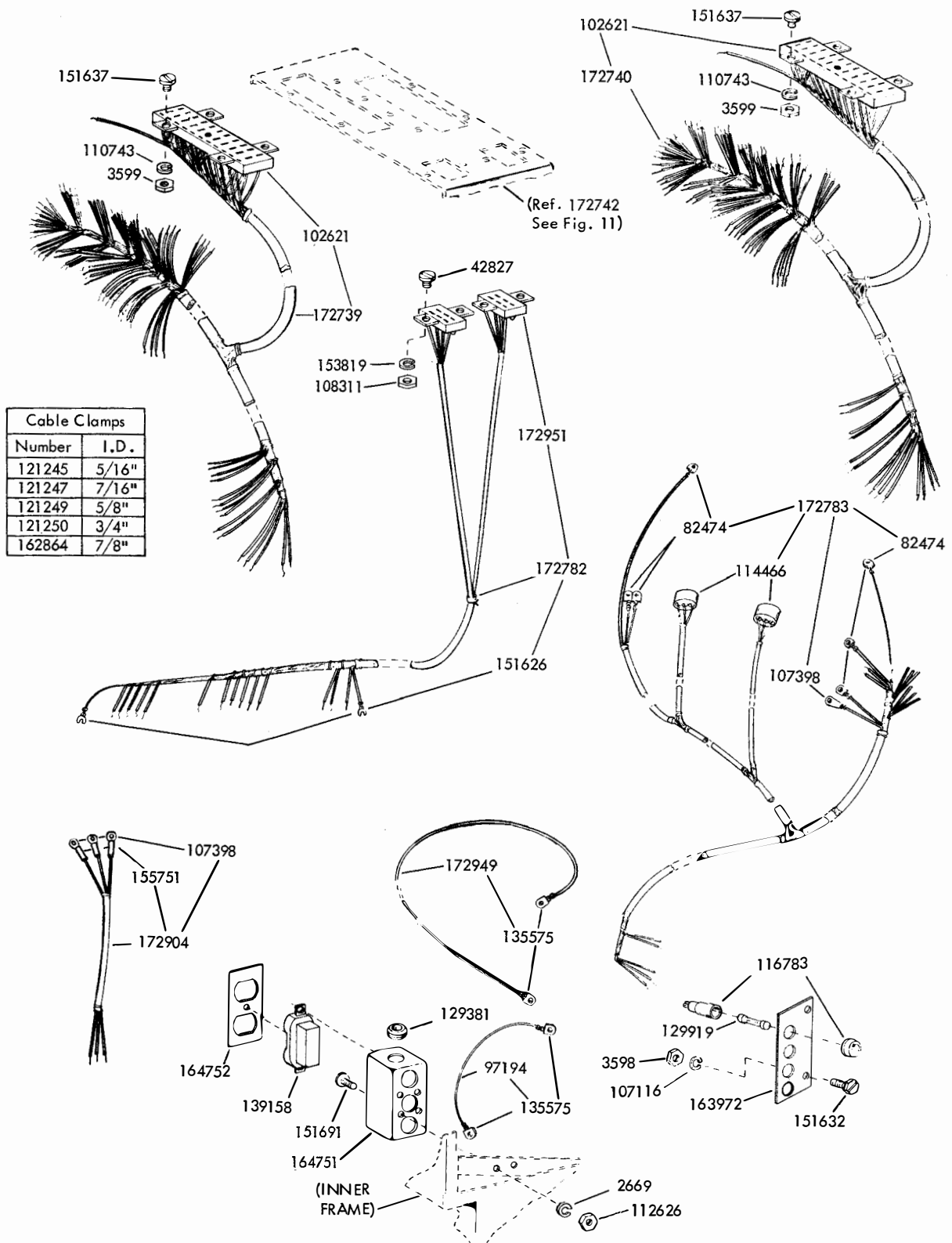


FIGURE 12. CABLE ASSEMBLIES

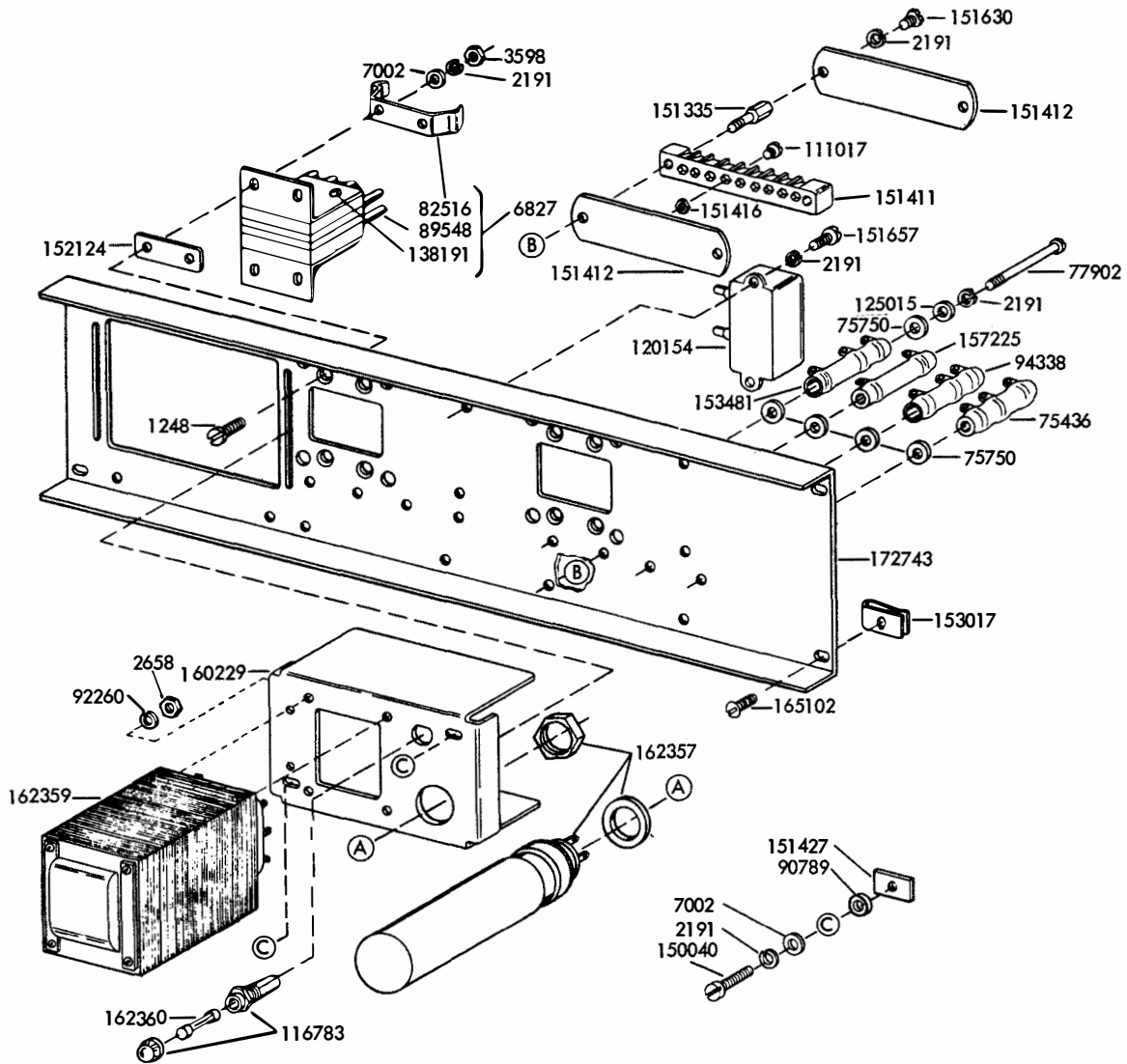


FIGURE 13. RELAY MOUNTING AND COMPONENTS

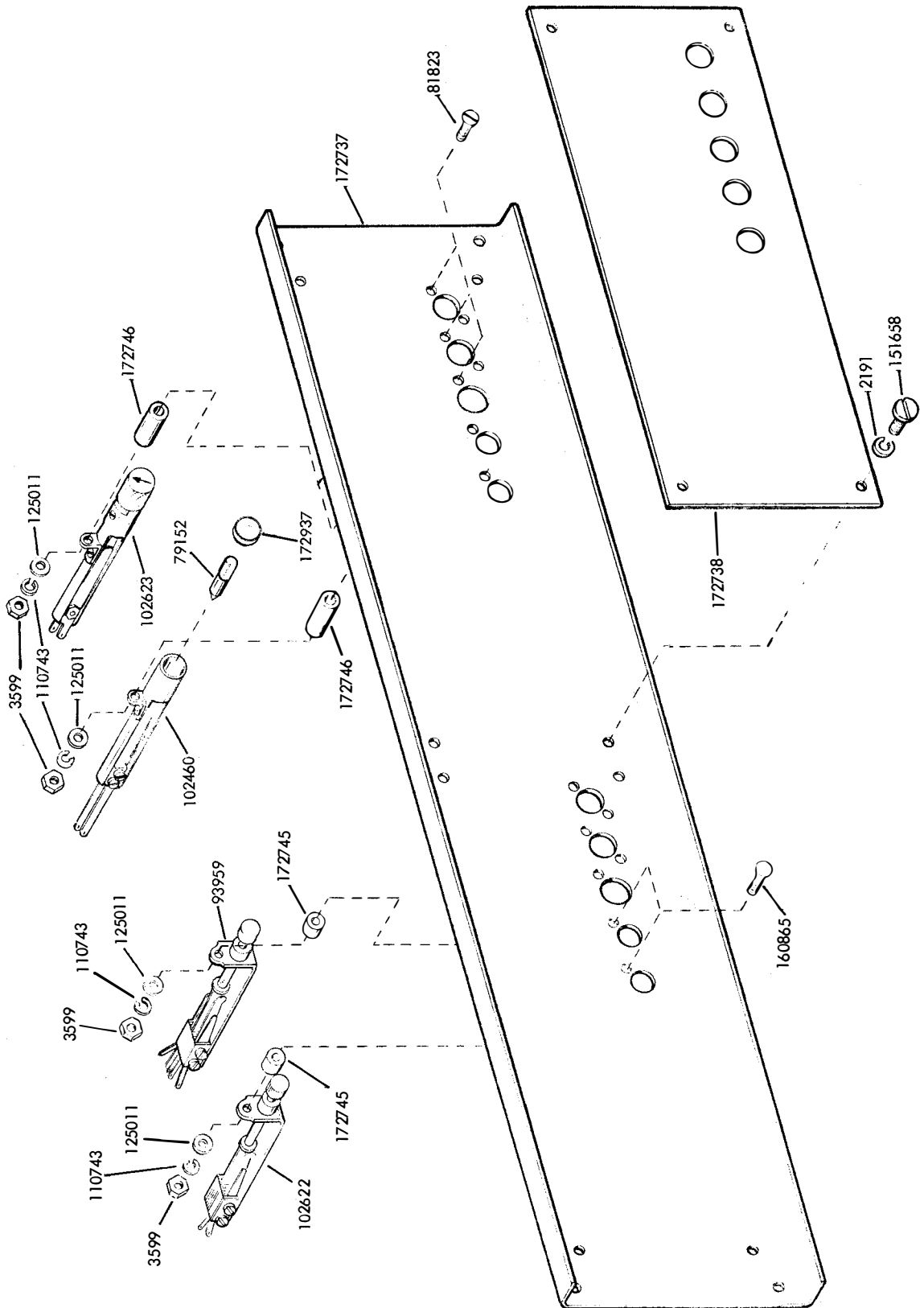


FIGURE 14. PANEL AND COMPONENTS

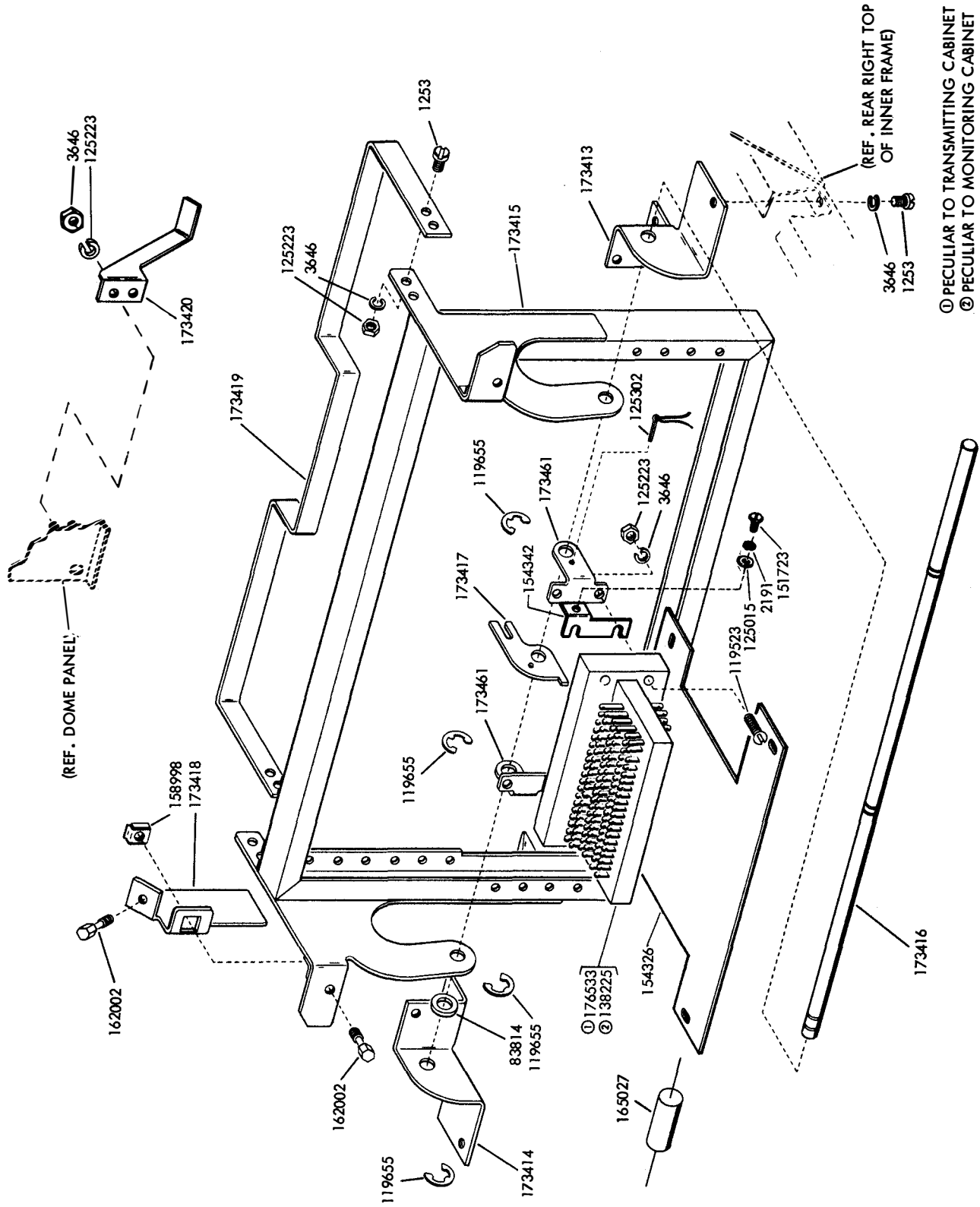


FIGURE 15. MOUNTING RACK FRAME



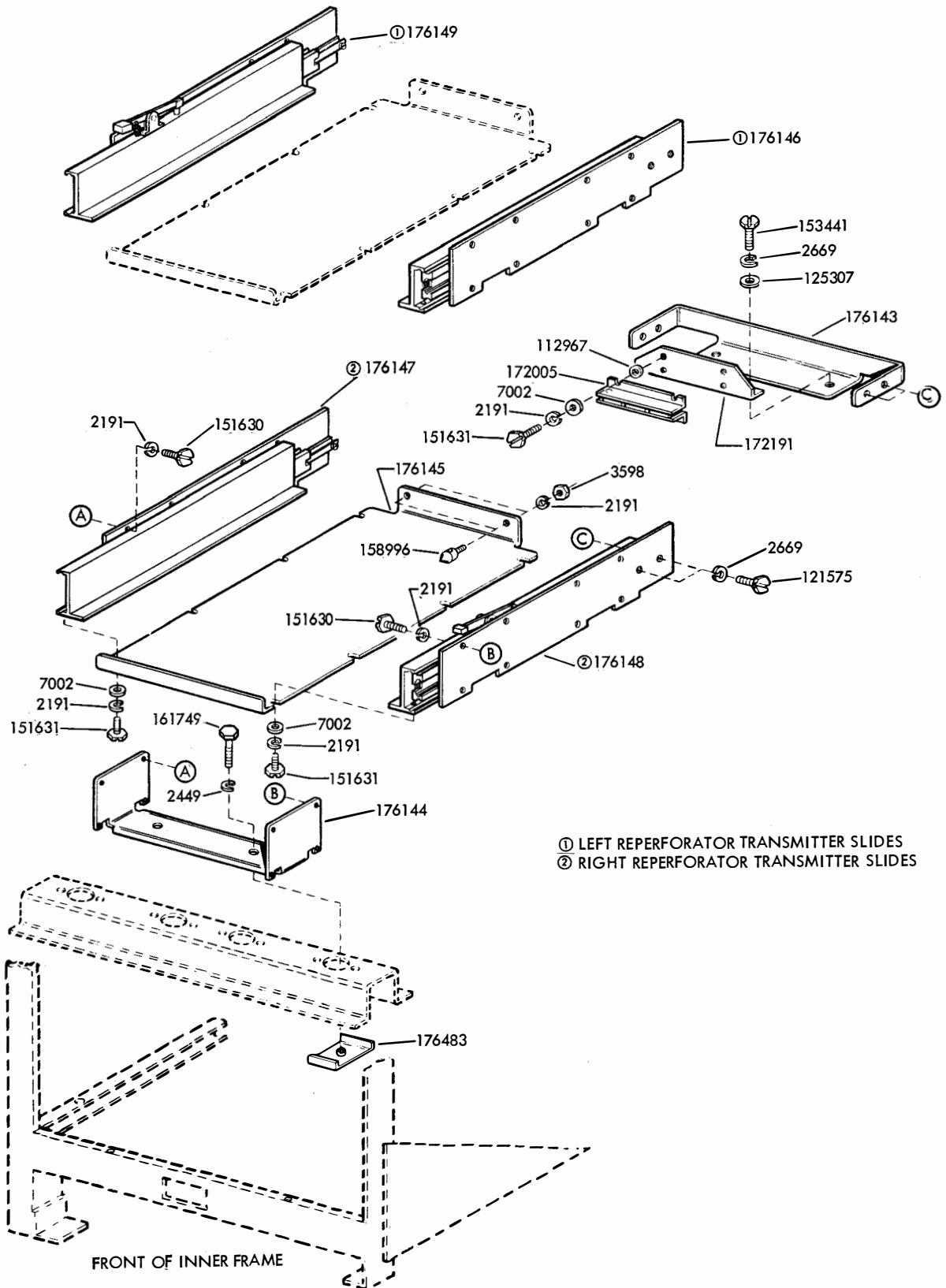


FIGURE 16. 176139 MODIFICATION KIT TO ADD BALL BEARING SLIDES FOR REPERFORATOR TRANSMITTER SETS

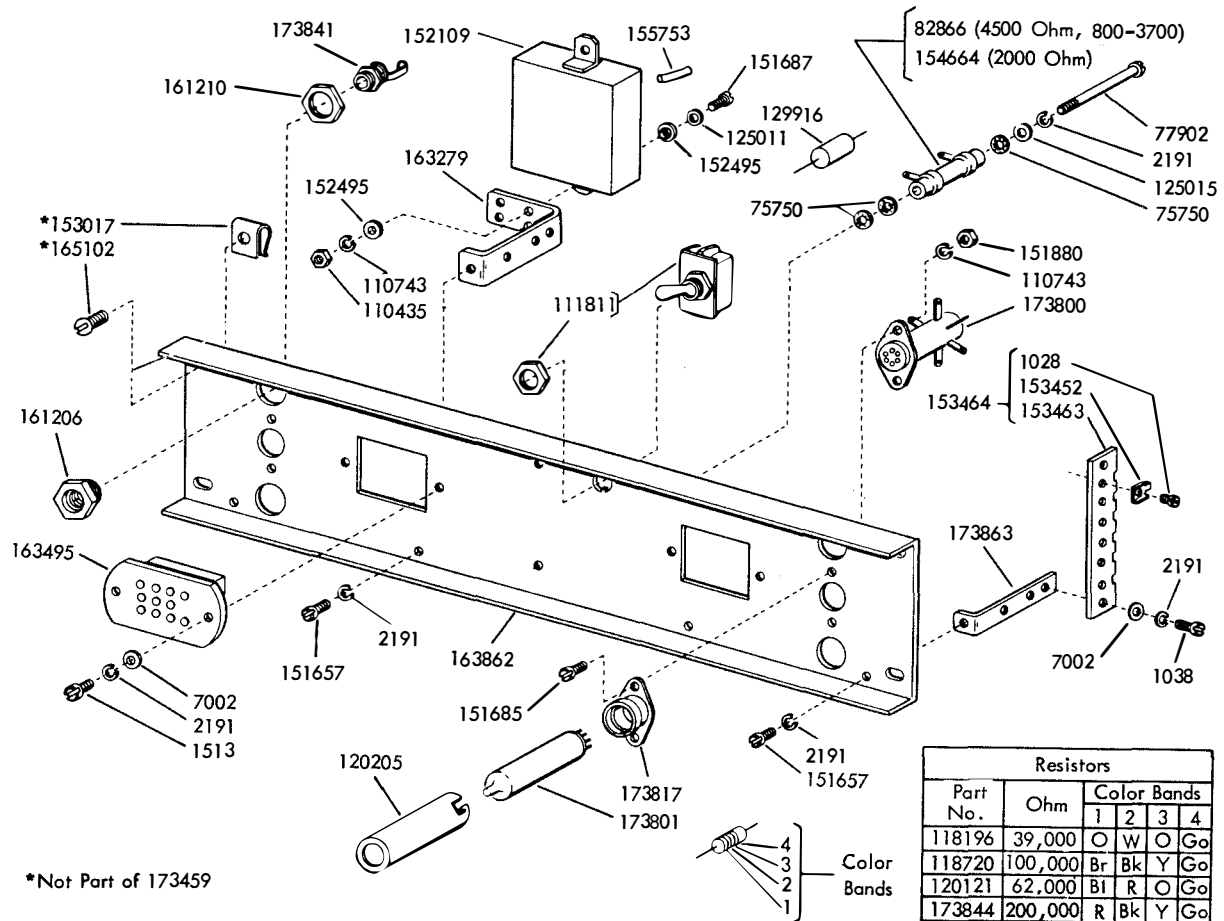
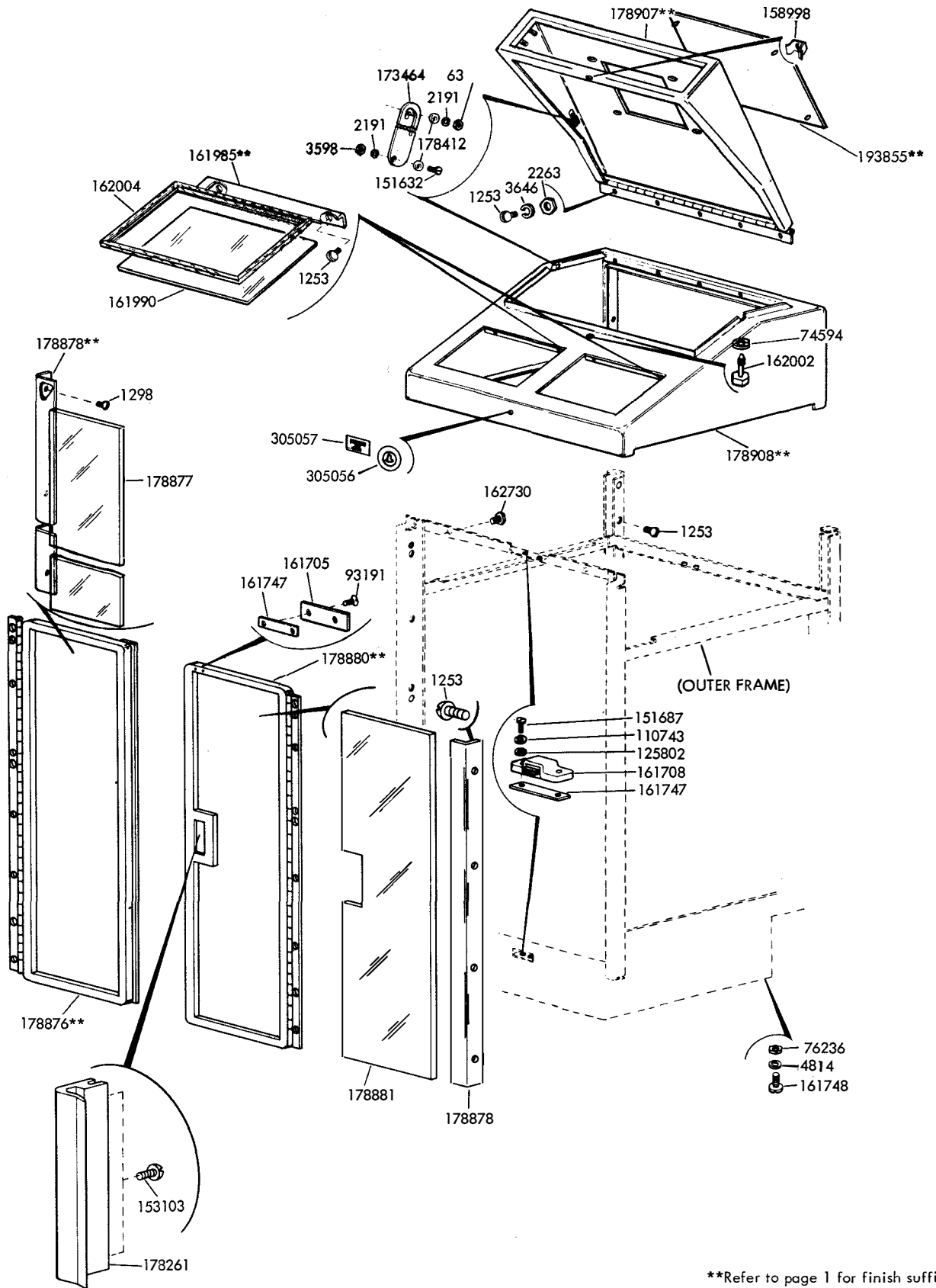


FIGURE 17. 173459 ELECTRONIC KEYSER PLATE ASSEMBLY



\*\*Refer to page 1 for finish suffix

FIGURE 18. FRONT DOORS AND DOME

## NUMERICAL INDEX

Part Number	Description and Page Number	Part Number	Description and Page Number	Part Number	Description and Page Number
1028	Screw (4-40 x 1/4 Fil) 8, 9, 18	92146	Nut (1/4-20 Hex) 2, 3, 5, 6, 11	125307	Washer, Flat 17
1030	Screw, Shoulder (6-40) 2	92260	Washer, Lock 14	125802	Washer, Flat 2, 3, 4, 19
1038	Screw (6-40 x 9/32 Fil) 9, 18	93001	Washer, Flat 2	129098	Screw (6-40 x 11/32 Flat) 8
1248	Screw (6-40 x 1/2 Flat) 14	93191	Screw (4-40 x 5/16 Flat) 2, 4, 19	129381	Grommet, Rubber 13
1253	Screw (8-32 x 3/8 Rd) 2, 3, 4, 16, 19	93711	Resistor (200 Ohms) 10	129487	Resistor (500 Ohms) 10
1264	Screw (10-32 x 1/2 Flat) 5	93959	Key 15	129916	Capacitor (.1 mfd) 18
1298	Screw (8-32 x 1/4 Fil) 2, 19	94338	Resistor (5000 Ohms) 14	129919	Fuse (4 Amp) 6, 10, 13
2191	Washer, Lock 2, 5 to 10, 12, 14 to 19	95238	Resistor (1500 Ohms) 9	131099	Terminal 12
2263	Nut (8-32 Hex) 2, 19	95971	Screw (4-40 x 1/2 Flat)	135575	Terminal 13
2449	Washer, Lock 3, 5, 6, 7, 11, 17	97194	Jumper (8" Black) 13	138191	Screw (3-48 x 1 Rd) 8, 14
2658	Nut (6-32 Hex) 14	98819	Knob 9, 10	138225	Block, Terminal 7, 16
2669	Washer, Lock 5, 11, 13, 17	99802	Plate 8	139158	Connector, Receptacle (Duplex) 13
3595	Nut (1/4-32 Hex) 5	99803	Insulator (.094") 8	150040	Screw (6-40 x 5/8 Fil) 14
3598	Nut (6-40 Hex) 2, 5, 7, 8, 12, 13, 14, 17, 19	99804	Insulator (.062") 8	151335	Stud 8, 12, 14
3599	Nut (4-40 Hex) 5, 13, 15	99805	Plunger 8	151346	Screw (6-40 x 3/8 Fil) 6, 9, 18
3605	Nut (5/16-18 Hex) 2	99806	Bracket 8	151411	Block, Terminal 6, 8, 10, 12, 14
3606	Nut (6-40 Hex) 6	99807	Spring, Contact 8	151412	Insulator (1-9) 6, 8, 10, 12, 14
3610	Spring	99809	Spring, Contact 8	151416	Nut (6-40 Hex) 6, 8, 10, 12, 14
3646	Washer, Lock 2, 6, 7, 11, 12, 16, 19	101976	Connector, Plug (33 Pt) 12	151422	Connector, Receptacle (2 Pt) 6
4814	Washer, Lock 2, 19	102460	Socket, Lamp 15	151427	Plate, Clamp 14
6035	Screw (1/4-20 x 5/8 Hex) 6	102621	Connector, Receptacle (33 Pt) 13	151442	Screw (6-40 x 1/2 Hex) 12
6345	Nut (6-32 Hex) 2, 19	102622	Key 15	151626	Terminal 8, 12, 13
6827	Block 8, 14	102623	Key 15	151630	Screw (6-40 x 1/4 Hex) 2, 6, 8, 10, 12, 14, 17
7002	Washer, Flat 6 to 10, 12, 14, 17, 18	103081	Screw (1/4-20 x 1/2 Fil) 3	151631	Screw (6-40 x 5/16)Hex) 5, 12, 17
8185	Screw (1/4-20 x 3/4 Fil) 2	103241	Block, Terminal 7	151632	Screw (6-40 x 3/8 Hex) 2, 13, 19
34432	Washer, Flat 11	103588	Screw (6-40 x 1/8 Hex) 10	151637	Screw (4-40 x 1/4 Fil) 12, 13
35551	Screw (10-32 x 3/8 Fil) 5	107116	Washer, Lock 13	151657	Screw (6-40 x 1/4 Fil) 6, 8, 9, 12, 14, 18
42827	Screw (3-48 x 1/4 Fil) 13	107246	Rheostat (5000 Ohms) 9, 10	151658	Screw (6-40 x 5/16 Fil) 12, 15
44048	Washer, Flat 12	107393	Switch, Toggle (SP-ST) 7, 11	151685	Screw (4-40 x 5/16 Fil) 12, 18
55219	Screw (8-32 x 3/8 Fil) 12	107398	Terminal 13	151686	Screw (4-40 x 3/8 Fil) 4, 12
74594	Ring, Retaining 2, 19	108311	Nut (3-48 Hex) 13	151687	Screw (4-40 x 7/16 Hex) 2, 3, 18, 19
74615	Resistor (2000 Ohms) 10	110435	Nut (4-40 Hex) 18	151691	Screw (10-32 x 3/8 Fil) 13
75231	Bushing, Insulating 8	110743	Washer, Lock 2 to 5, 12, 13, 15, 18, 19	151693	Screw (6-40 x 9/16 Hex) 6, 10
75436	Resistor (3000 Ohms) 14	110750	Relay 10	151723	Screw (10-32 x 3/8 Hex) 7, 11, 16
75750	Washer, Insulating 6, 8, 9, 10, 14, 18	111017	Screw (6-40 x 5/16 Fil) 6, 8, 10, 12, 14	151732	Screw (4-40 x 11/32 Fil) 5
76099	Washer, Flat 12	111811	Switch, Toggle 18	151808	Relay (1250 Ohms) 6
76236	Nut (5/16-18 Hex) 19	112076	Spring 5	151813	Cover 6
76862	Screw (1/4-20 x 1 Rd) 2	112626	Nut (10-32 Hex) 5, 11, 13	151814	Bracket 6
77902	Screw (6-40 x 2-3/8 Rd) 6, 8, 9, 10, 14, 18	112801	Stud 7	151819	Jumper (3" Black) 8, 12
79152	Lamp 15	112967	Washer, Flat 17	151827	Strap, Terminal 6, 10
79523	Screw (2-56 x 25/32 Fil) 8	114466	Connector, Receptacle (2 Pt) 7, 11, 13	151880	Nut (4-40 Hex) 18
79967	Insulator 6	114479	Rheostat (1500 Ohms) 9, 10	151939	Grommet, Rubber 6, 10
81258	Screw(6-40 x 5/8 Flat) 8	115407	Post 8, 10	152109	Filter 8, 9, 18
81823	Screw (4-40 x 1-3/32 Flat) 15	115594	Nut, Speed (8-32) 3	152110	Bracket 9
82250	Resistor (650 Ohms) 10	116783	Holder, Fuse 6, 10, 13, 14	152124	Spacer 8, 14
82284	Resistor (70 Ohms) 10	116785	Fuse (.3 Amp) 10	152495	Bushing 18
82474	Terminal 10, 13	118196	Resistor (39,000 Ohms) 18	152755	Strap, Terminal 6, 10
82516	Spring, Retaining 8, 14	118720	Resistor (100,000 Ohms) 18	153017	Nut, Speed (12-24) 6, 8, 9, 10, 14, 18
82866	Resistor (4500 Ohms) 9, 10, 18	118865	Cover 2	153103	Screw, Self-Tapping (4-40) 19
82988	Screw (6-40 x 2-1/2 Rd) 8	119523	Screw (8-32 x 3/4 Rd) 7, 16	153441	Screw (10-32 x 7/16 Hex) 17
83814	Washer, Flat 16	119655	Ring, Retaining 16	153452	Terminal 8, 9, 18
85791	Washer, Flat 5	120121	Resistor (62,000 Ohms) 18	153463	Block, Terminal 8, 9, 18
86434	Screw (1/4-32 x 3/4 Fil) 5	120154	Capacitor (25 mfd) 14	153464	Block, Terminal 8, 9, 18
87477	Resistor (1000 Ohms) 10	120166	Fuse (2 Amp) 6, 10	153480	Resistor (6750 Ohms) 8, 10
88083	Resistor (100 Ohms) 10	120205	Shield, Tube 18	153481	Resistor (5800 Ohms) 8, 14
89548	Spring, Contact 8, 14	121245	Clamp, Cable (5/16" ID) 13	153537	Screw (6-40 x 9/32 Hex) 7
90789	Washer, Flat 14	121247	Clamp, Cable (7/16" ID) 12, 13	153600	Bracket, Spring 5
91683	Nut (15/32-32 Hex) 7	121249	Clamp, Cable (5/8" ID) 12, 13	153819	Washer, Lock 13
91684	Nut (15/32-32 Ring) 7	121250	Clamp, Cable (3/4" ID) 13	154326	Cover, Insulating 7, 16
		121575	Screw (10-32 x 5/16 Hex) 17		
		125011	Washer, Flat 15, 18		
		125015	Washer, Flat 7 to 10, 14, 16, 18		
		125223	Nut (8-32 Hex) 7, 11, 12, 16		
		125302	Pin, Cotter 7, 16		

## NUMERICAL INDEX (Continued)

Part Number	Description and Page Number	Part Number	Description and Page Number	Part Number	Description and Page Number
154342	Bracket, Insulating Cover 7, 16	162011	Channel, Stop 5	172745	Bushing (.406" Lg) 15
154664	Resistor (2000 Ohms) 9, 18	162070	Plate, Mounting 6	172746	Bushing (.703" Lg) 15
155751	Sleeve, Insulating (1/8 ID x 1" Lg) 13	162195	Arm, Slide 2	172747	Cable Assembly 12
155753	Sleeve, Insulating (1/8 ID x 1/2" Lg) 18	162357	Capacitor (500 mfd) 6, 10, 14	172748	Clamp, Cable 12
156768	Screw (8-32 x 9/32 Hex) 6	162358	Diode, Silicon 6, 10	172781	Socket 12
157225	Resistor (2000 Ohms) 14	162359	Transformer 6, 10, 14	172782	Cable Assembly 13
158281	Connector, Plug (32 Pt) 12	162360	Fuse (.8 Amp) 6, 10, 14	172783	Cable Assembly 13
158283	Connector, Receptacle (32 Pt) 12	162627	Nut (#6 Speed) 2	172897	Handle 12
158287	Transformer Assembly 6	162670	Light, Pilot (Red) 7, 11	172904	Cable w/Terminals 13
158996	Stud 5, 17	162671	Light, Pilot (Amber) 7, 11	172937	Cap, Lamp (White) 15
158998	Retainer, Speed Nut 2, 6, 7, 16, 19	162672	Plate, Relay 8	172949	Jumper (70" Green) 13
159232	Screw, Captive (1/4-20) 6	162678	Contact Assembly, Line Shunt 8	172951	Connector, Receptacle (6 Pt) 13
159819	Connector, Plug (32 Pt) 7, 11	162680	Switch, Push 7, 11	172952	Connector, Plug (6 Pt) 12
159820	Connector, Receptacle (32 Pt) 7, 11	162683	Lamp, Incandescent (Clear) 7, 11	173394	Hanger, Cable 12
160229	Plate, Mounting 14	162687	Screw (6x1/2 Spl) 2	173413	Bracket, Right Mounting 16
160284	Resistor (5500 Ohms) 8	162692	Pin, Hinge 7	173414	Bracket, Left Mounting 16
160386	Resistor (1000 Ohms) 6, 10	162730	Screw (1/4-20 x 7/16 Hex) 2, 5, 6, 7, 11, 19	173415	Frame, Mounting Rack 16
160865	Screw (4-40 x 7/8 Flat) 15	162739	Bracket, Terminal Board 7	173416	Shaft 16
161085	Relay 6	162818	Cable Assembly 7	173417	Plate, Locating 16
161086	Relay 6	162864	Clamp, Cable (7/8" ID) 13	173418	Bracket, Left Anchor 16
161087	Insulator (1-6) 7	162865	Spacer 8	173419	Handle 16
161206	Bushing, Insulating 18	163163	Pad 2	173420	Arm, Stop 16
161210	Nut (11/16 x 32 Hex) 18	163279	Bracket, Mounting 8, 18	173421	Bracket, Rectifier Mounting 11
161705	Strike, Fastener 2, 4, 19	163484	Relay 10	173459	Plate Assembly 18
161706**	Door, Right Rear 4	163487	Plate, Rectifier 11	173461	Bracket, Terminal Block 16
161707**	Door, Left Rear 4	163488	Relay 10	173464	Arm 2, 19
161708	Latch, Magnetic 2, 3, 4, 19	163489	Relay 10	173800	Turret, Socket 18
161711	Block, Guide 5	163491	Capacitor (250 mfd) 10	173801	Tube, Vacuum 18
161712	Latch, Lever 5	163492	Relay 10	173817	Base, Tube Shield 18
161713	Bushing, Shoulder 5	163493	Light, Pilot (White) 11	173841	Jack 18
161716	Block, Support 5	163494	Plate, Mounting 10	173844	Resistor (200,000 Ohms) 18
161725	Channel, Front 5	163495	Base, Mounting 9, 18	173863	Bracket, Mounting 18
161726	Mount, Vibration 5	163496	Panel, Control 11	174009	Diode 10
161728	Support, Channel 5	163862		174456	Plate, Nut 2
161730	Frame, Mounting 5	163972	Strip, Fuse Mounting 13	176139	Modification Kit 1
161731	Plate, Cover 3	163983	Plate, Relay 9	176143	Bracket 17
161733**	Door, Left 2	163988	Cable Assembly 11	176144	Bracket 17
161734	Window 2	164078	Washer, Flat 5	176145	Tray 17
161736**	Door, Right 2	164081	Spacer (.375" Thk) 2	176146	Slide, Right (Left RT Set) 17
161746	Channel, Rear 5	164093	Panel, Control 11	176147	Slide, Left (Right RT Set) 17
161747	Plate, Nut 2, 4, 19	164097	Clip, Capacitor 10	176148	Slide, Right (Right RT Set) 17
161748	Screw (5/16-18 x 5/8 Flat) 2, 3, 19	164427	Box, Junction 13	176149	Slide, Left (Left RT Set) 17
161749	Screw (1/4-20 x 1-1/2 Hex) 5, 17	164751	Plate, Cover 13	176483	Channel, Stop 17
161752	Channel, Duct 3	164752	Plate, Name (Bell) 2	176533	Block, Terminal 16
161753**	Panel, Left Side 3	164754	Plate, Name (Bell) 2	176541	Capacitor (3 mfd) 10
161754**	Panel, Right Side 3	165027	Network, Spark Suppression 10, 16	178261	Handle, Door 19
161985**	Bracket, Clip 2, 19	165073	Diode 12	178361	Transformer 10
161986	Cover, Duct 3	165102	Screw (12-24 x 3/8 Rd) 6, 8 to 10, 14, 18	178362	Transformer Assembly 10
161987	Plate, Duct 3	172005	Latch, Magnetic 17	178412	Bushing 2, 19
161990	Window 2, 19	172191	Bracket, Latch 17	178876**	Door, Left 19
161991	Window 2	172686	Relay 12	178877	Window 19
161994	Bracket, Terminal Block 7	172688	Resistor (3900 Ohms) 12	178878**	Bracket, Clip 19
161995	Bracket, Terminal Block 7	172689	Resistor (4300 Ohms) 12	178880**	Door, Right 19
161996	Frame, Mounting 6	172690	Resistor (5100 Ohms) 12	178881	Window 19
161997	Frame, Mounting Rack 6, 8	172726	Resistor (250 Ohms) 12	178907**	Cover 19
161998	Plate, Name (Teletype) 2	172727	Post, Cover Mounting 12	178908**	Frame, Top 19
161999**	Modification Kit 1, 3	172729	Plate, Mounting 12	193855**	Cover w/Clip 2, 19
162000**	Frame, Top 2, 7, 11	172733	Plate, Relay 12	305056	Plate, Identification 2, 19
162001**	Dome 2	172734	Bracket 12	305057	Plate, Identification 2, 19
162002	Screw, Captive (1/4-20) 2, 16, 19	172737	Panel, Control 15		
162004	Gasket 2, 19	172738	Cover, Designation 15		
162005**	Bracket, Clip 2	172739	Cable Assembly 13		
162006	Bracket 6	172740	Cable Assembly 13		
162007	Panel, Control 7	172741	Shelf 12		
		172742	Bracket, Shelf 12, 13		
		172743	Plate, Relay 14		

\*\*Refer to page 1 for finish suffix

