

28 APPARATUS CABINET (LBAC)  
(Transmitting and Transmitting-Monitoring)

PARTS

Figure	Contents	Page	Figure	Contents	Page
1	Cabinet Components	2	11	Mounting Rack Frame Components	10
2	Cabinet Shelves and Tape Bin	3	12	Terminal Blocks and Electrical Components	11
3	173479** Modification Kit to Add Tape Container	4	13	Numbering Module	12
4	173478** Modification Kit to Add Tape Grid	4	14	Numbering Module Drawer	13
5	Channel Components	5	15	Mounting Bracket and Shelf for Rectifier Assembly	14
6	Rear Doors	6	16	193941** Modification Kit to Provide Ventilation Fan	15
7	Control Panels	7	17	Tape Winder Mounting Racks	16
8	Upper and Lower Mounting Plates for Units with Numbering Module	8	18	161999** Modification Kit to Provide End Enclosures	17
9	Front Panel for Units with Numbering Module	8	19	Cable Components	18
10	Control Plate	9	20	RY 33 Polar Line Relay	19
				Numerical Index	20

TELETYPE AND BELL SYSTEM  
CODE REFERENCE CHART

Teletype Code	Bell System Code
LBAC 217**	28A-3**
LBAC 218**	28A-4**
LBAC 219**	28A-5**

NOTE:

When ordering parts from this section, prefix each number with the letters TP.

PAINT FINISH COLOR CODE CHART (for parts and assemblies requiring a paint finish)																
Color	Finish Suffixes				Color	Finish Suffixes										
	Wrinkle Finish	Smooth Finish	Textured Vinyl	Smooth Vinyl		Wrinkle Finish	Smooth Finish	Textured Vinyl	Smooth Vinyl							
Beige	AA (37)	ET	GC	HC	Gray, Federal	AB (40)	BV	GG	HB (68)							
Beige, Light		EL			Gray, Green		BK	GA (45)								
Beige, Rose		ER			Gray, Light		EJ	HE								
Black		BA (34)			Gray, Covert		EW	GE		HF (46)						
Black, High Gloss					BB			Gray, Olive		AJ	BJ					
Black, Semi Gloss					EK			Gray, Maritime Deck				AB (40)	BK			
Blue, Aqua					EC			Gray, Oxford						EN	GA (45)	
Blue, Brussels Light		ES			Green, Gray		EM	HD								
Blue, Medium		AD (38)			BZ					Green, Moss	EU					
Brown, Dark										AC (39)		HA	Ivory			EV
Brown, Light	HG		Pink Rose	EH												
Fawn			GF			Turquoise	EG									
Gray, Beige						GB		White	Yellow, Pastel							
Gray, Charcoal								AL					HA			
Gray, Dark														AL	HA	

The double asterisk (\*\*) denotes a painted part. Suffix to be applied following the part number. Number in parenthesis indicates Bell System code

Prepared for American Telephone and Telegraph Company by Teletype Corporation.

© 1958 and 1959 by Teletype Corporation.

All rights reserved.

Printed in U.S.A.

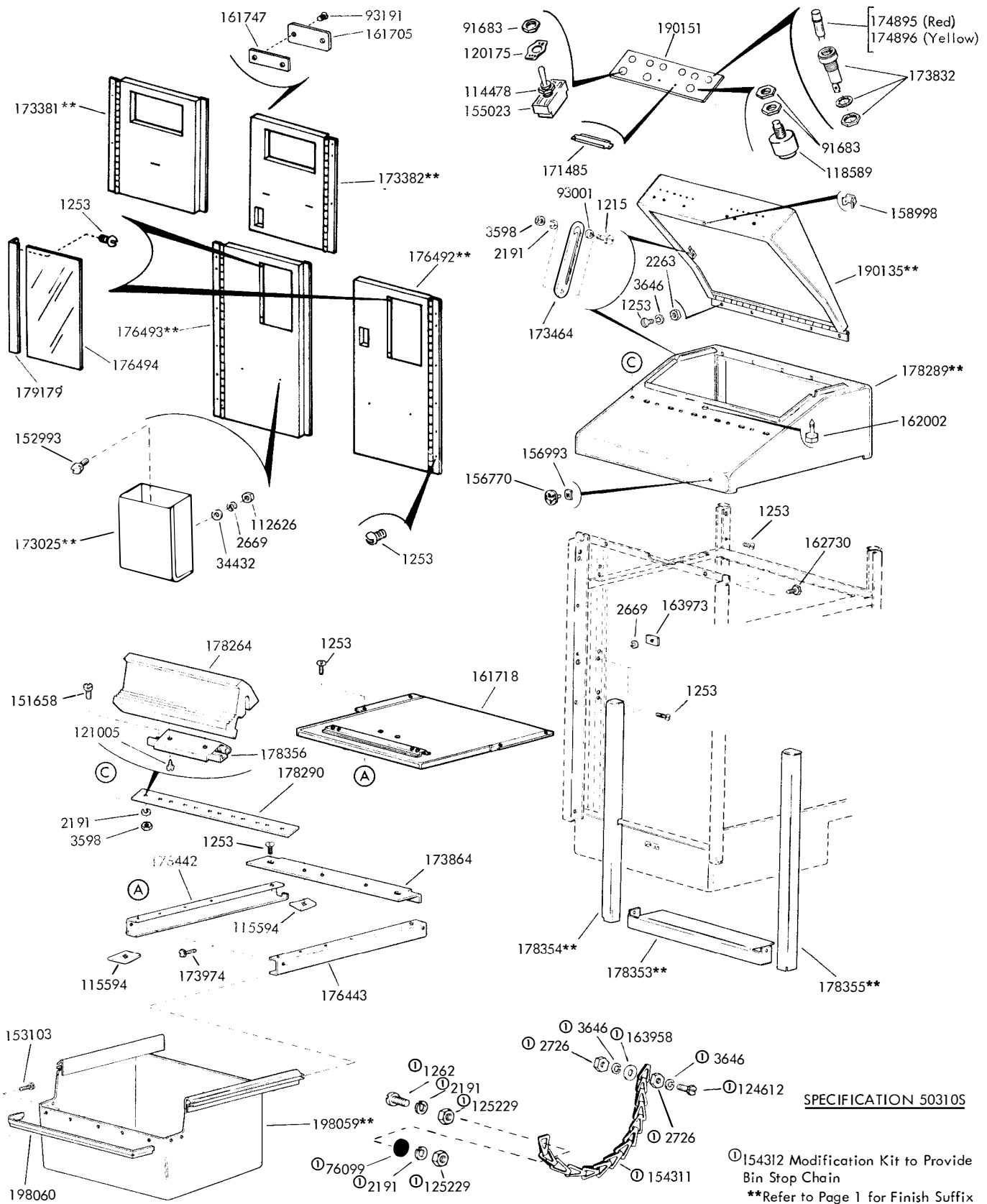
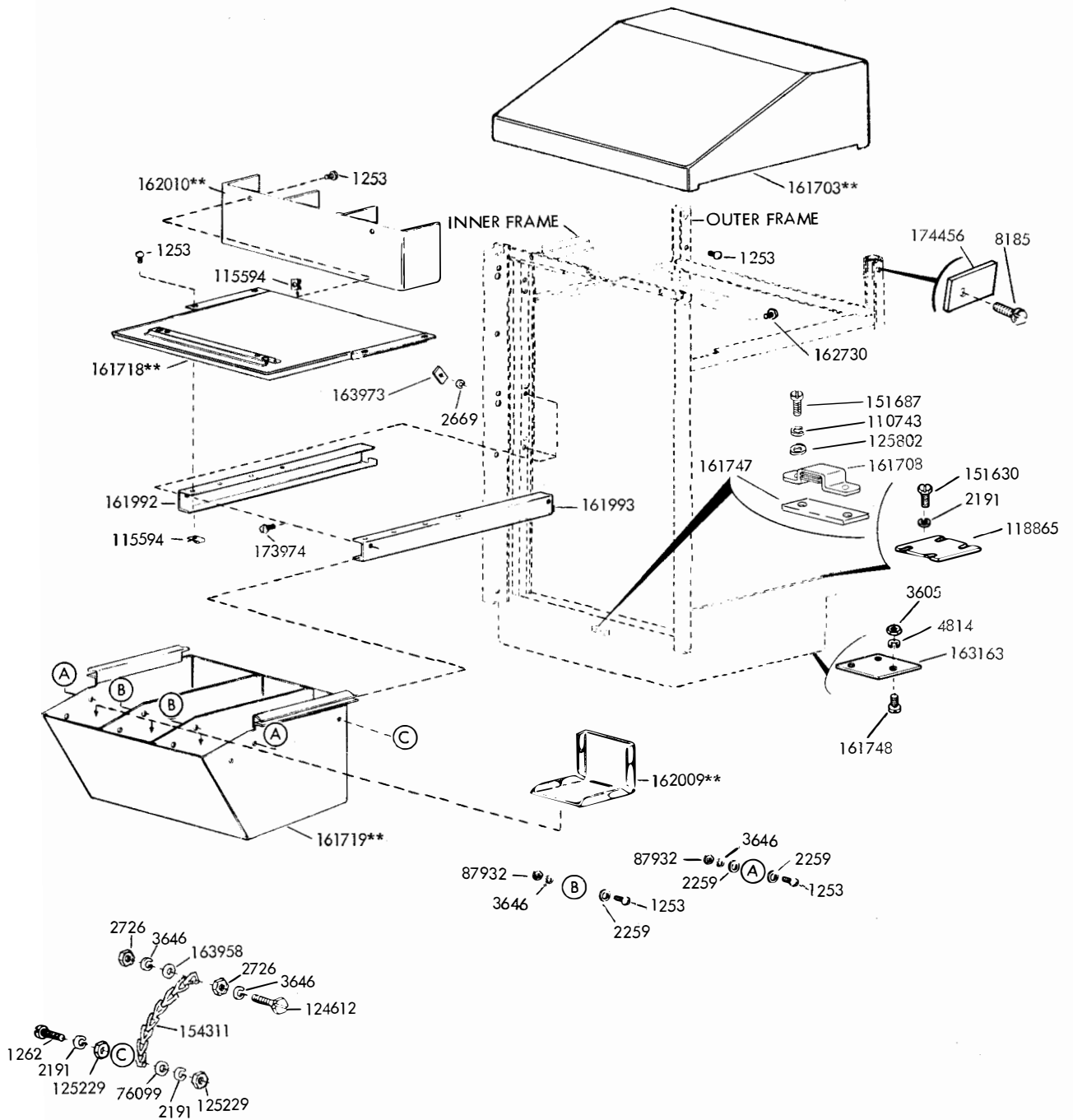
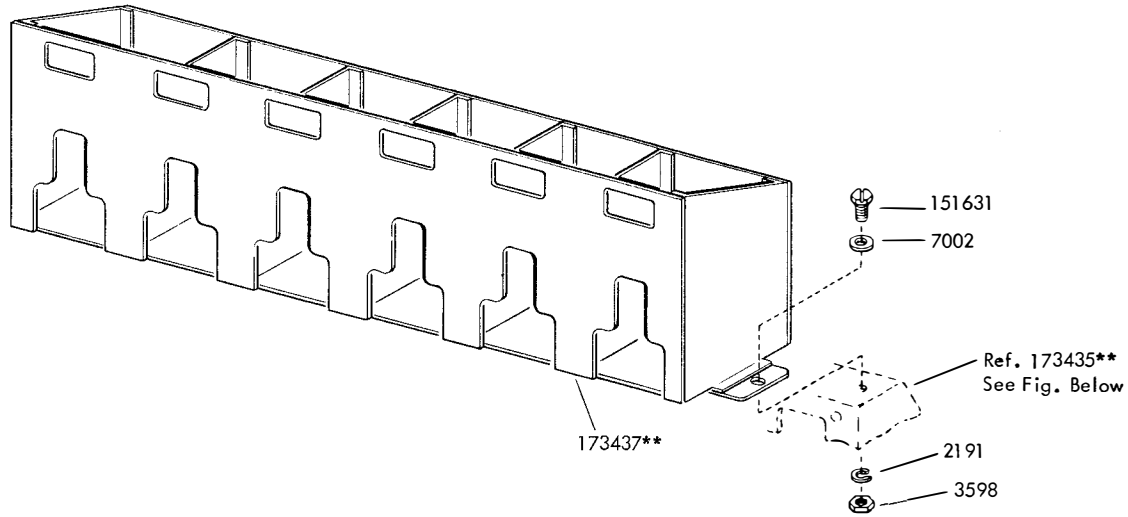


FIGURE 1. CABINET COMPONENTS



\*\*Refer to Page 1 for Finish Suffix

FIGURE 2. CABINET SHELVES AND TAPE BIN



SPECIFICATION 500085

FIGURE 3. 173479\*\* MODIFICATION KIT TO ADD TAPE CONTAINER

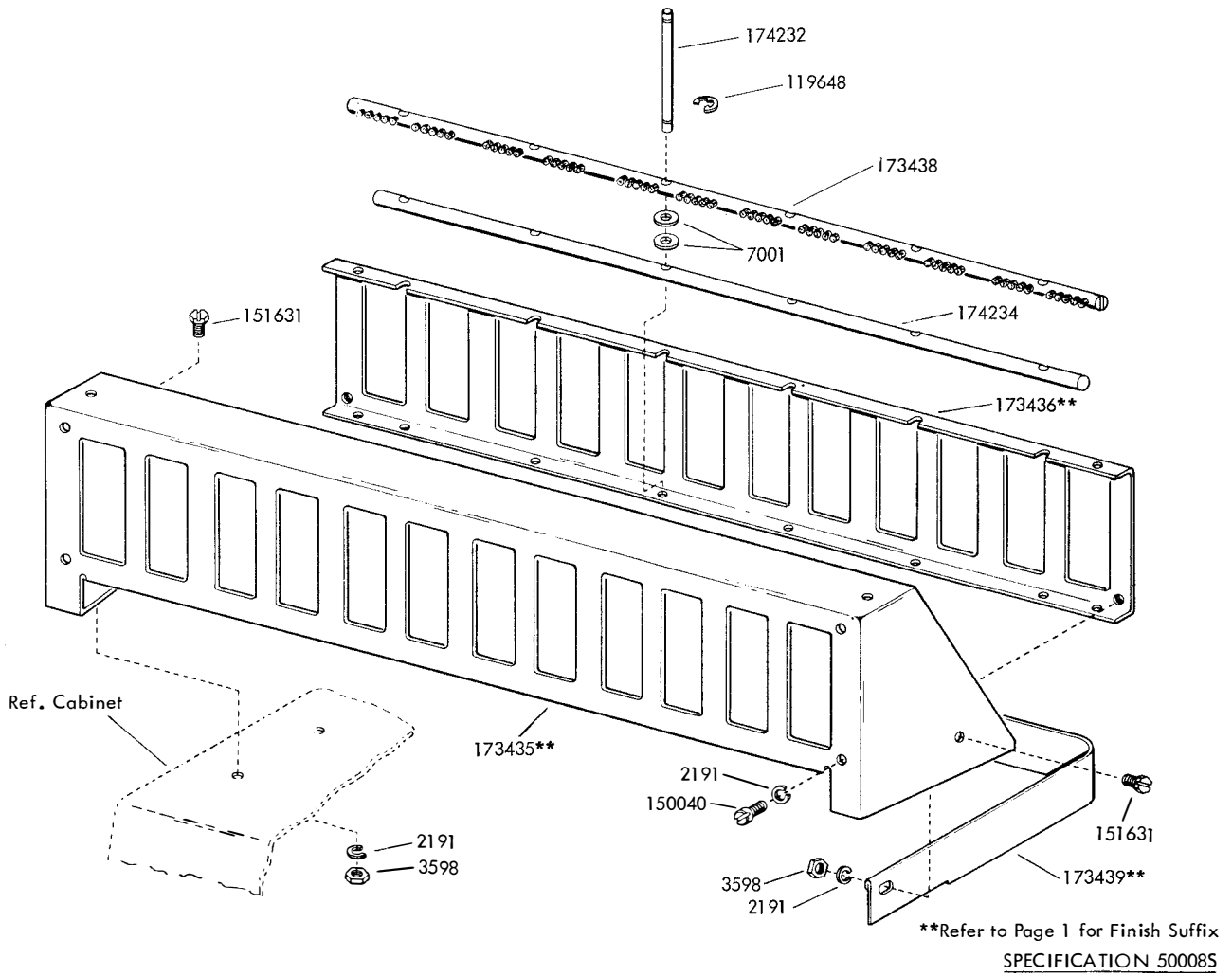


FIGURE 4. 173478\*\* MODIFICATION KIT TO ADD TAPE GRID

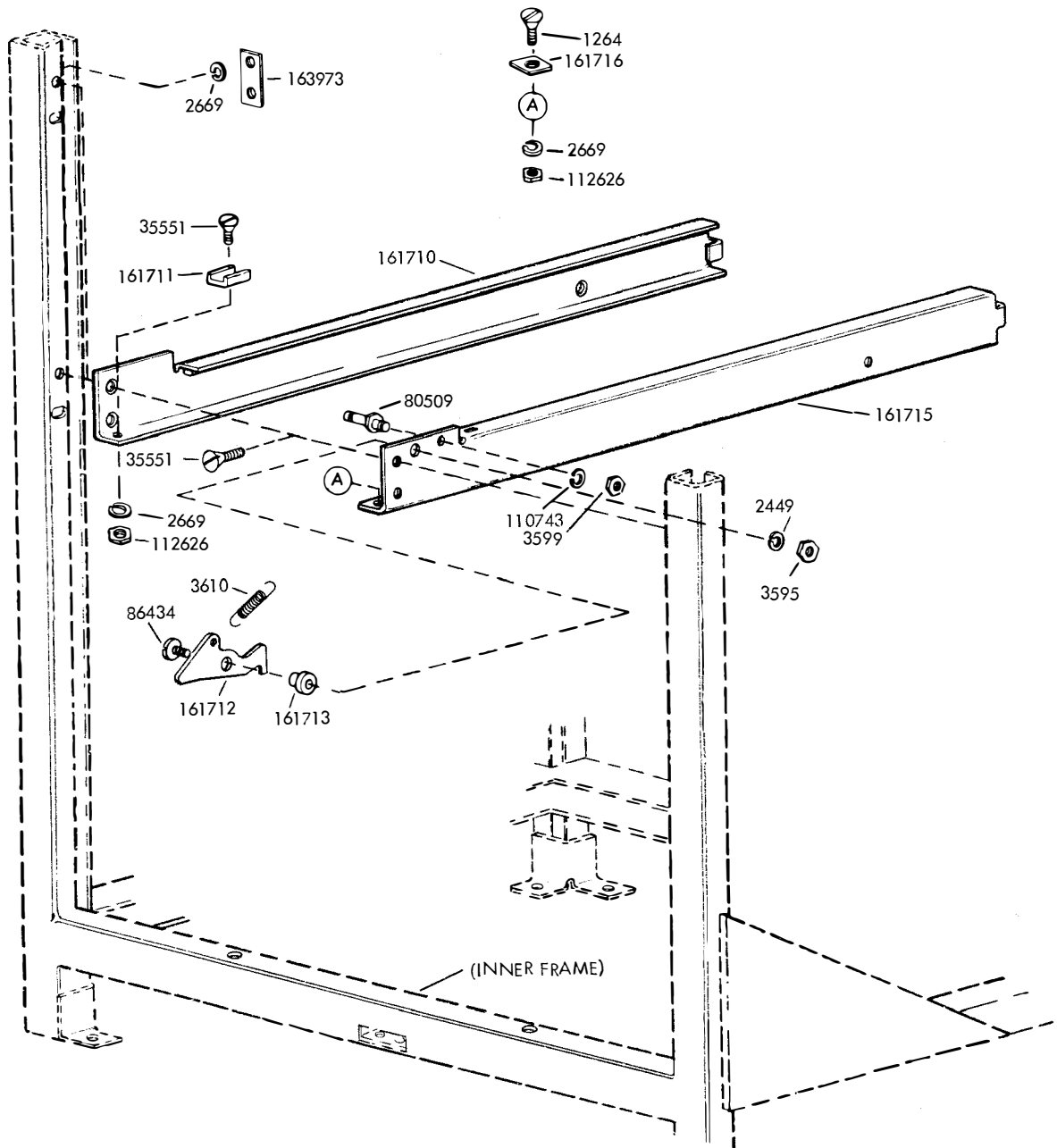
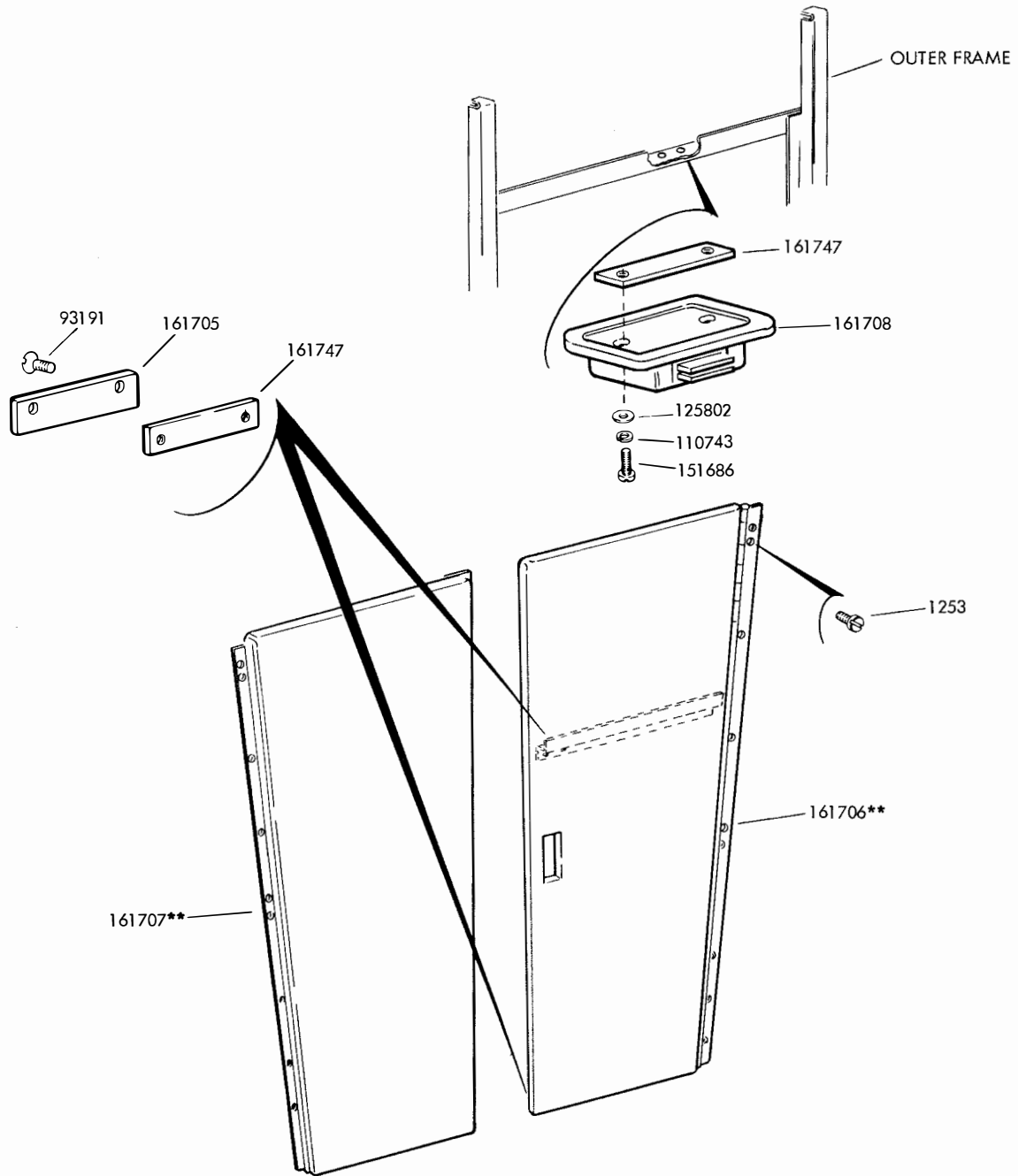


FIGURE 5. CHANNEL COMPONENTS



\*\*Refer to Page 1 for Finish Suffix

FIGURE 6. REAR DOORS

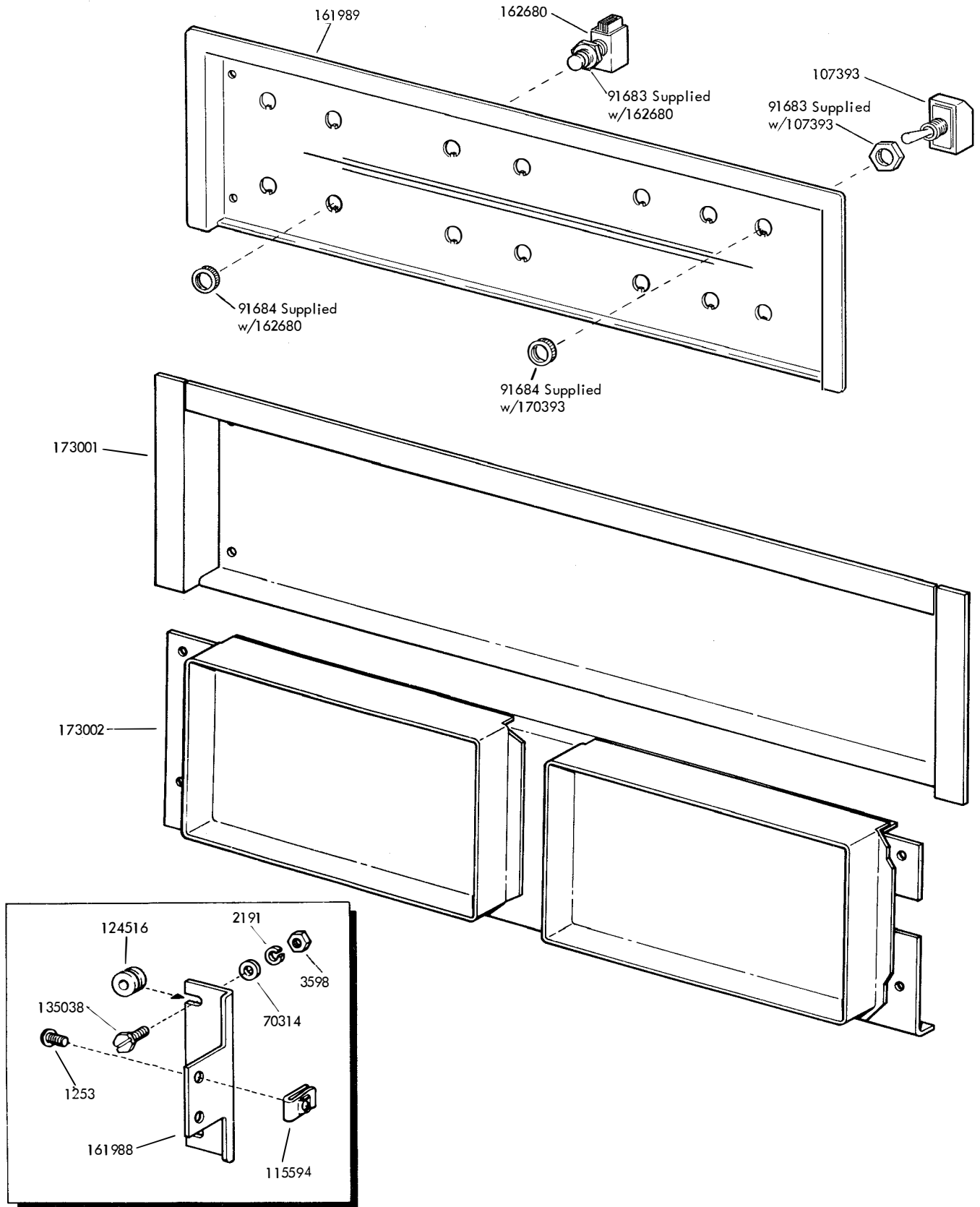


FIGURE 7. CONTROL PANELS

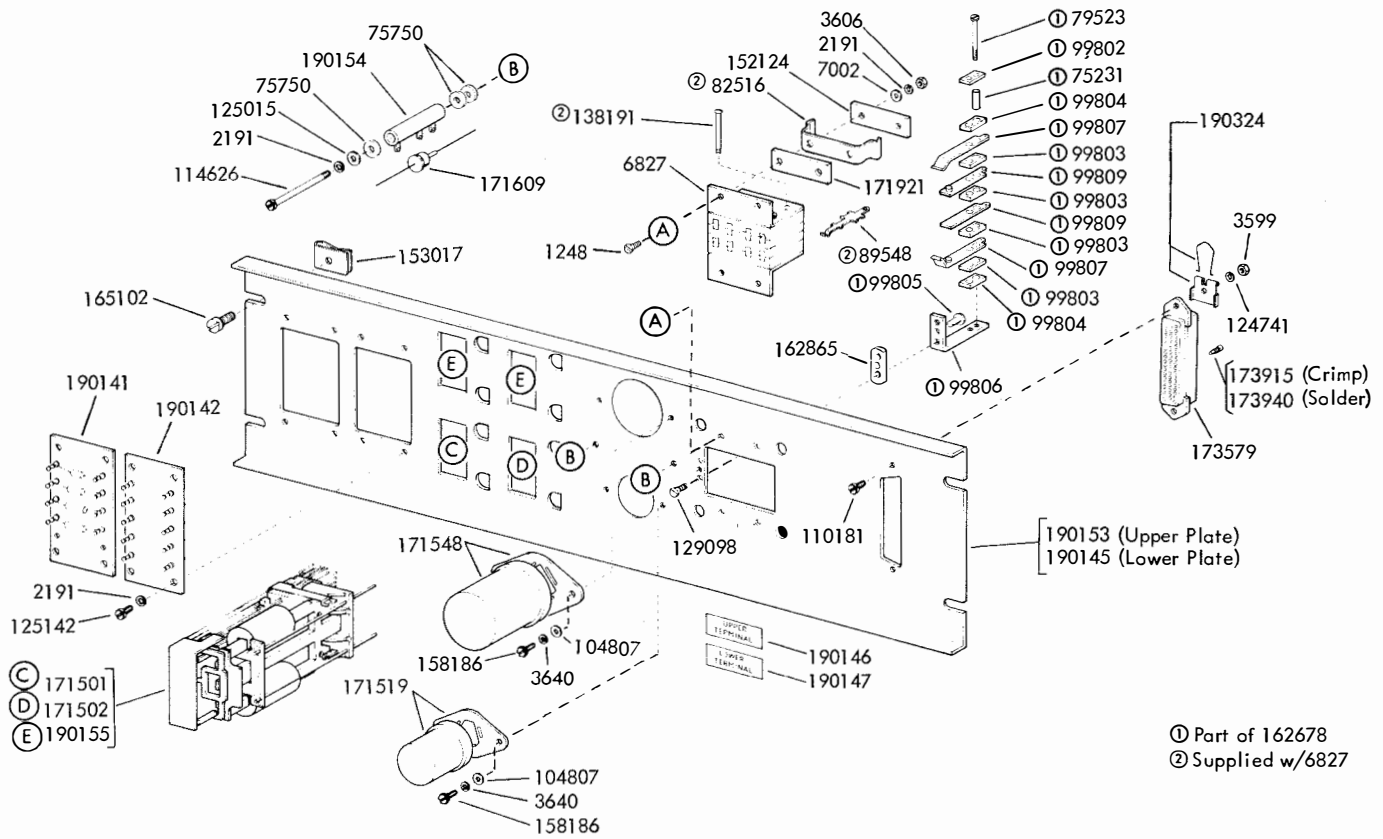


FIGURE 8. UPPER AND LOWER MOUNTING PLATES FOR UNITS WITH NUMBERING MODULE

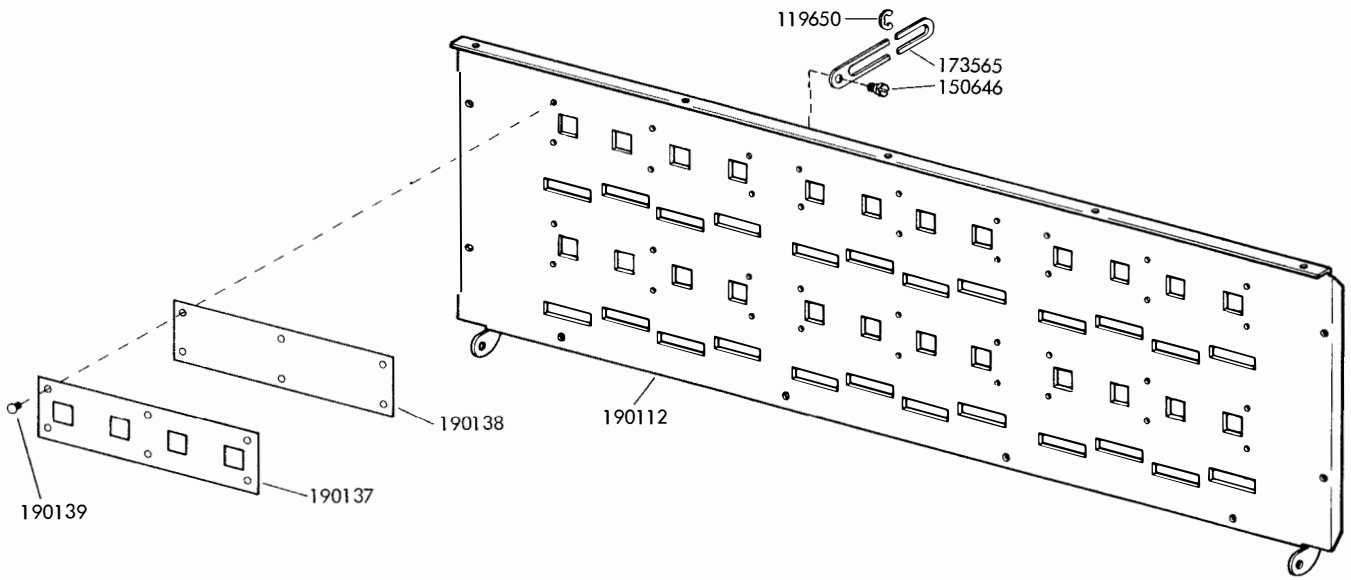


FIGURE 9. FRONT PANEL FOR UNITS WITH NUMBERING MODULE



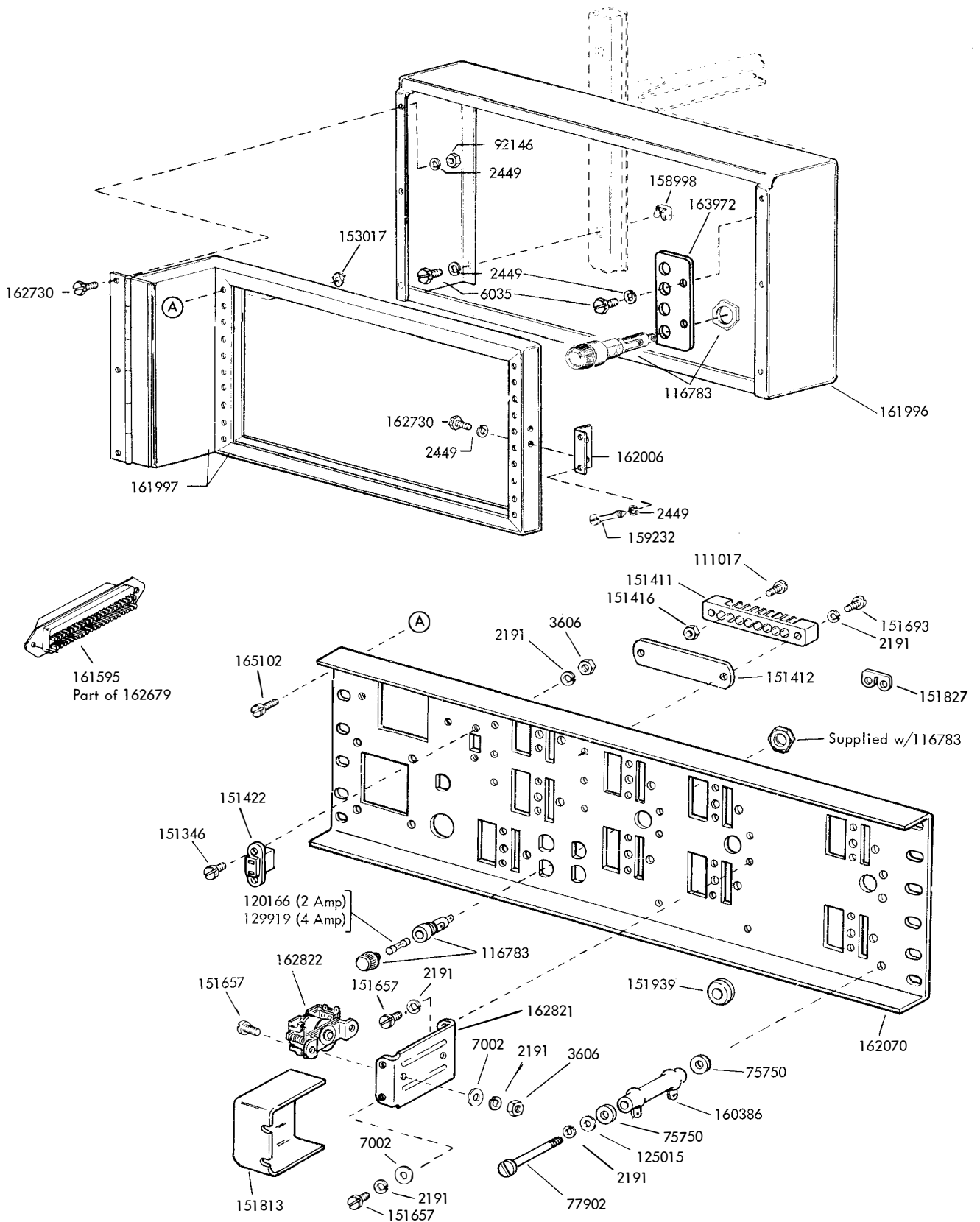


FIGURE 10. CONTROL PLATE

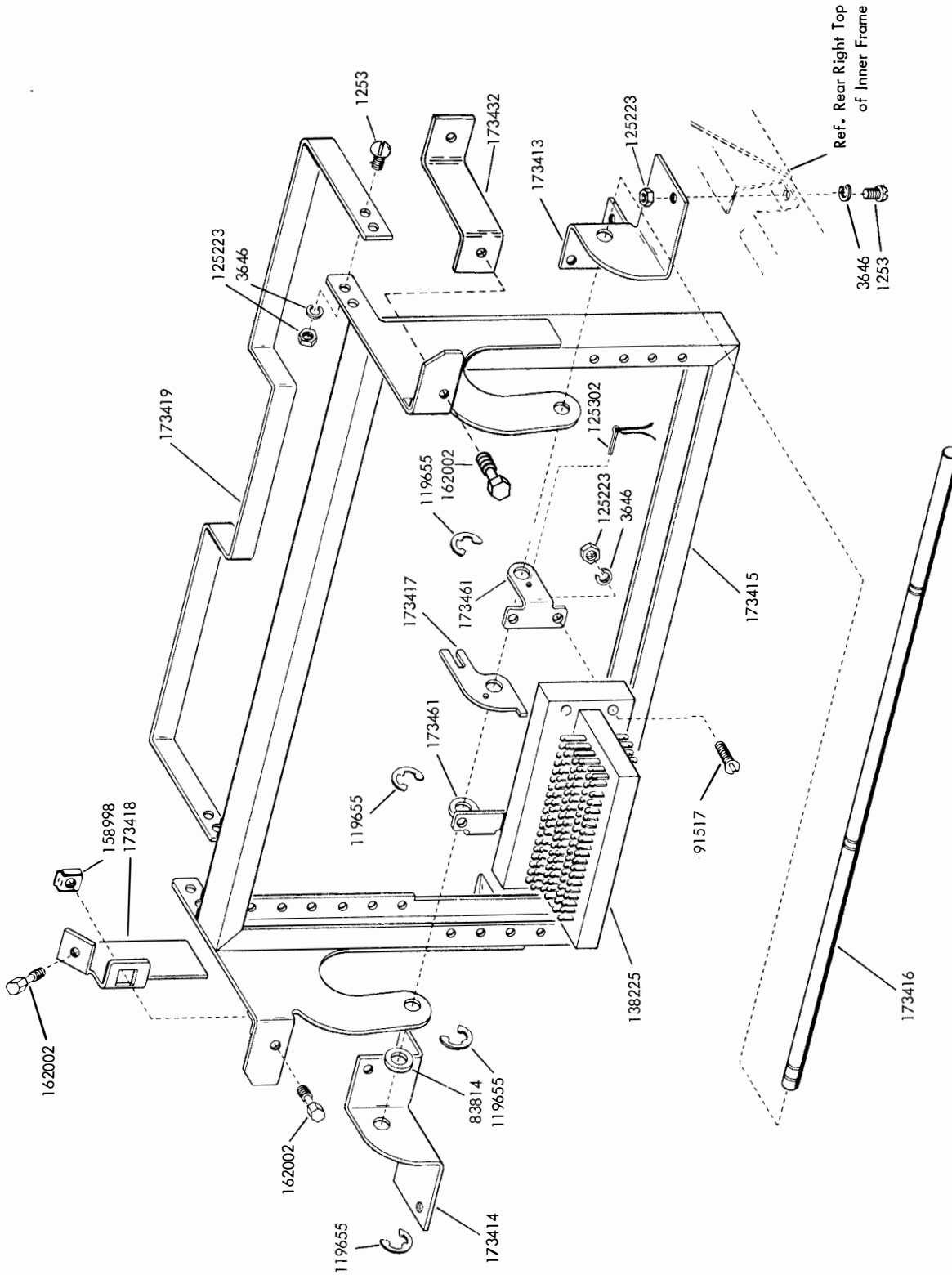
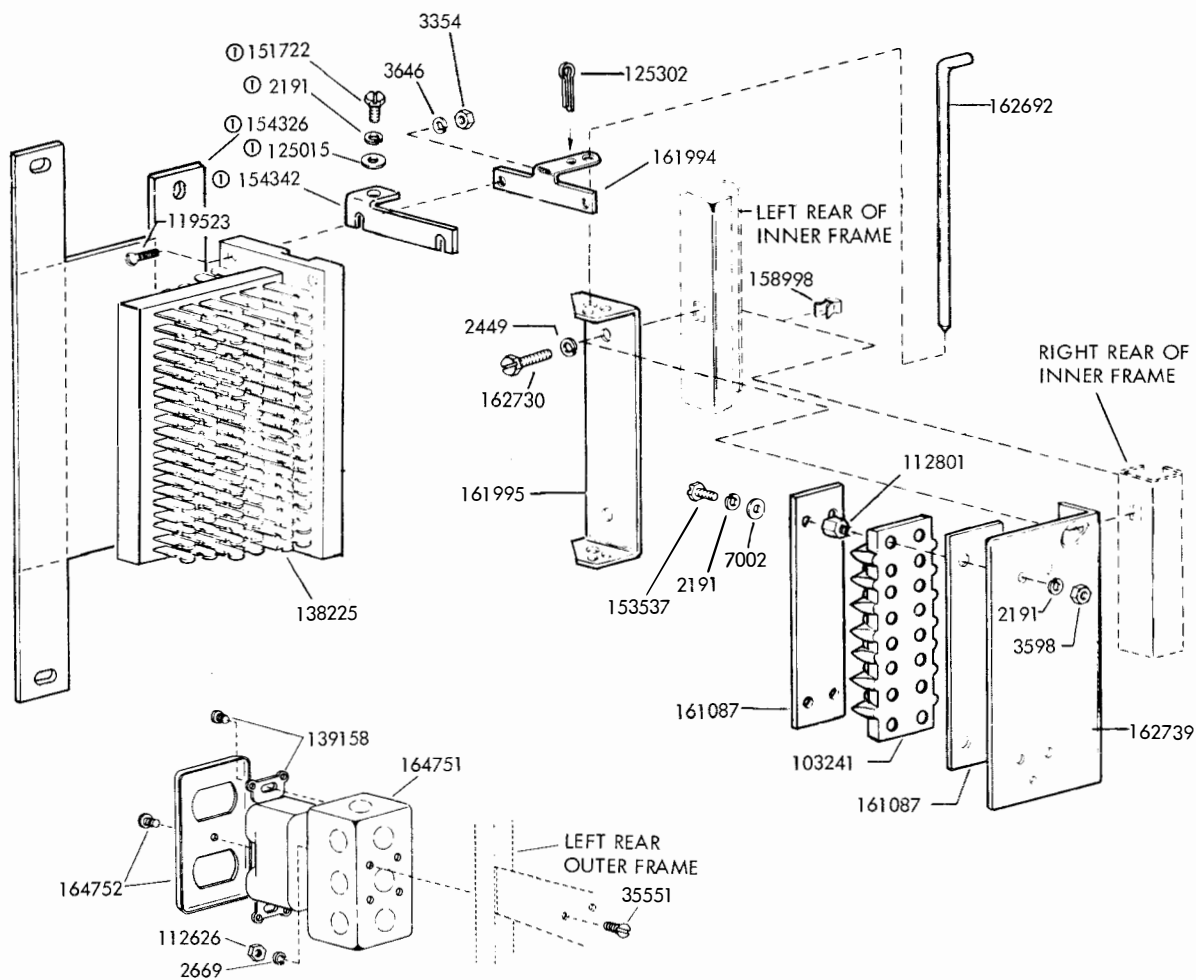


FIGURE 11. MOUNTING RACK FRAME COMPONENTS



①154343 Modification Kit to Provide Insulating Cover for 138225 Terminal Block

SPECIFICATION 501615

FIGURE 12. TERMINAL BLOCKS AND ELECTRICAL COMPONENTS

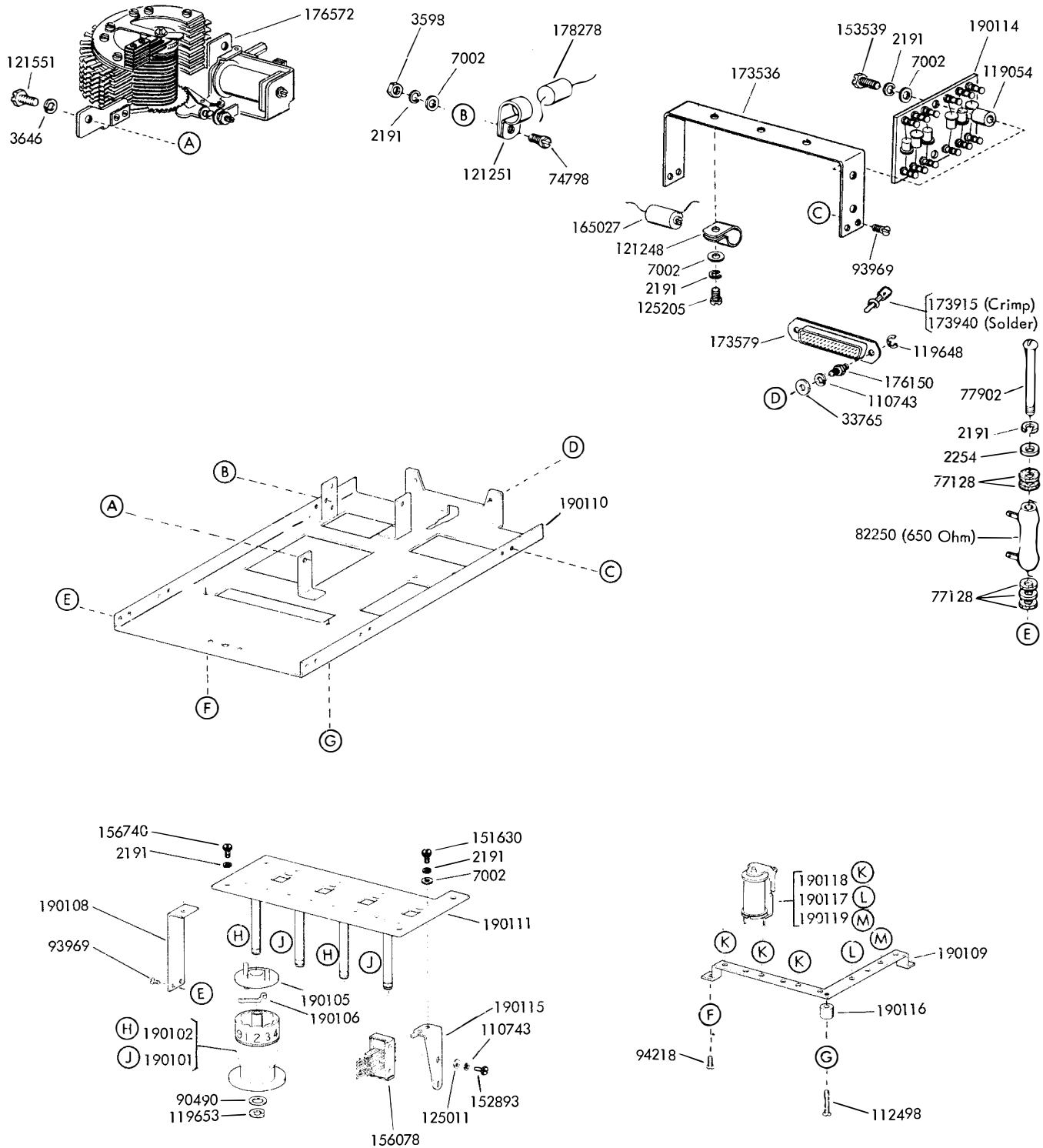


FIGURE 13. NUMBERING MODULE

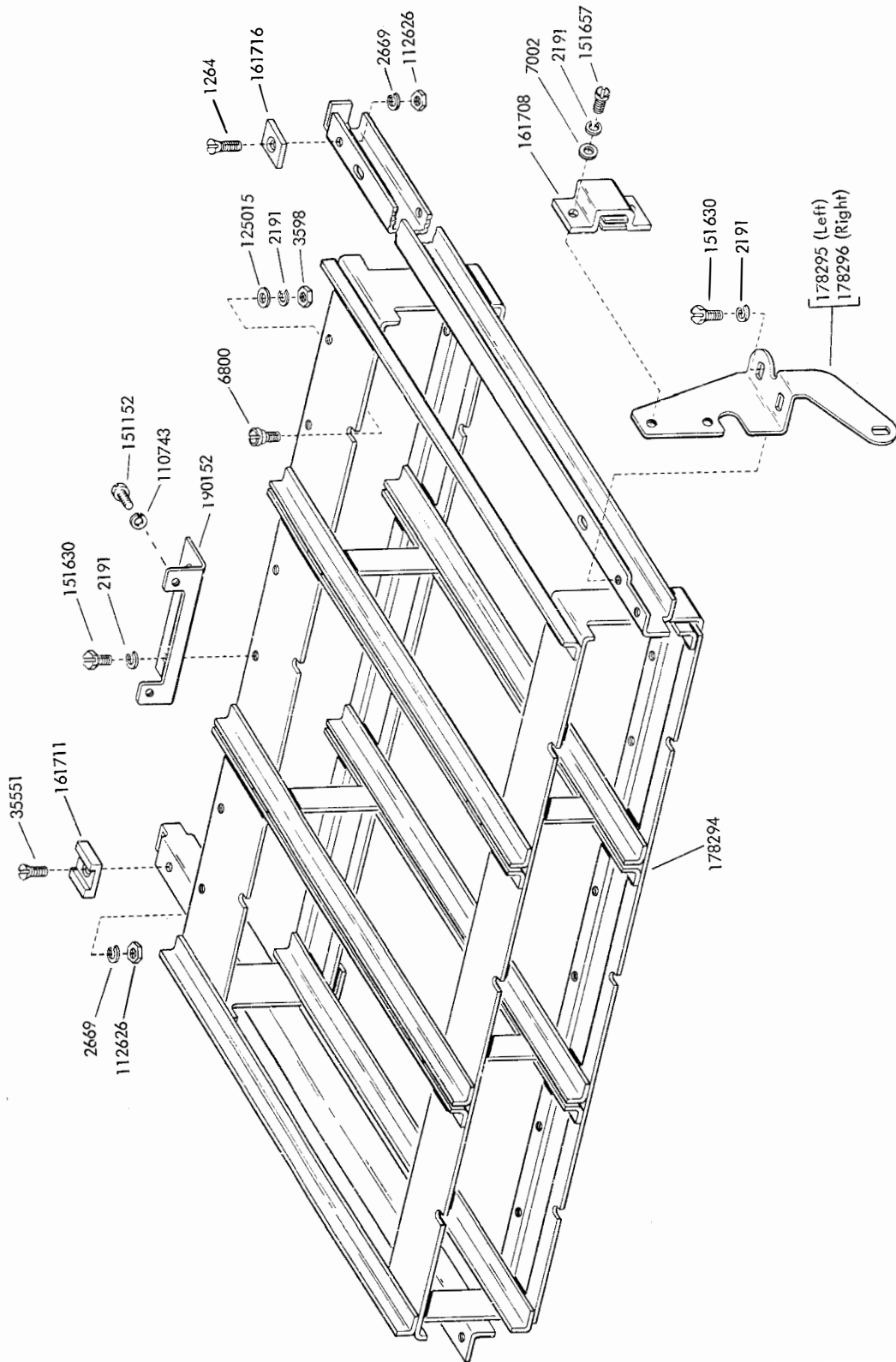
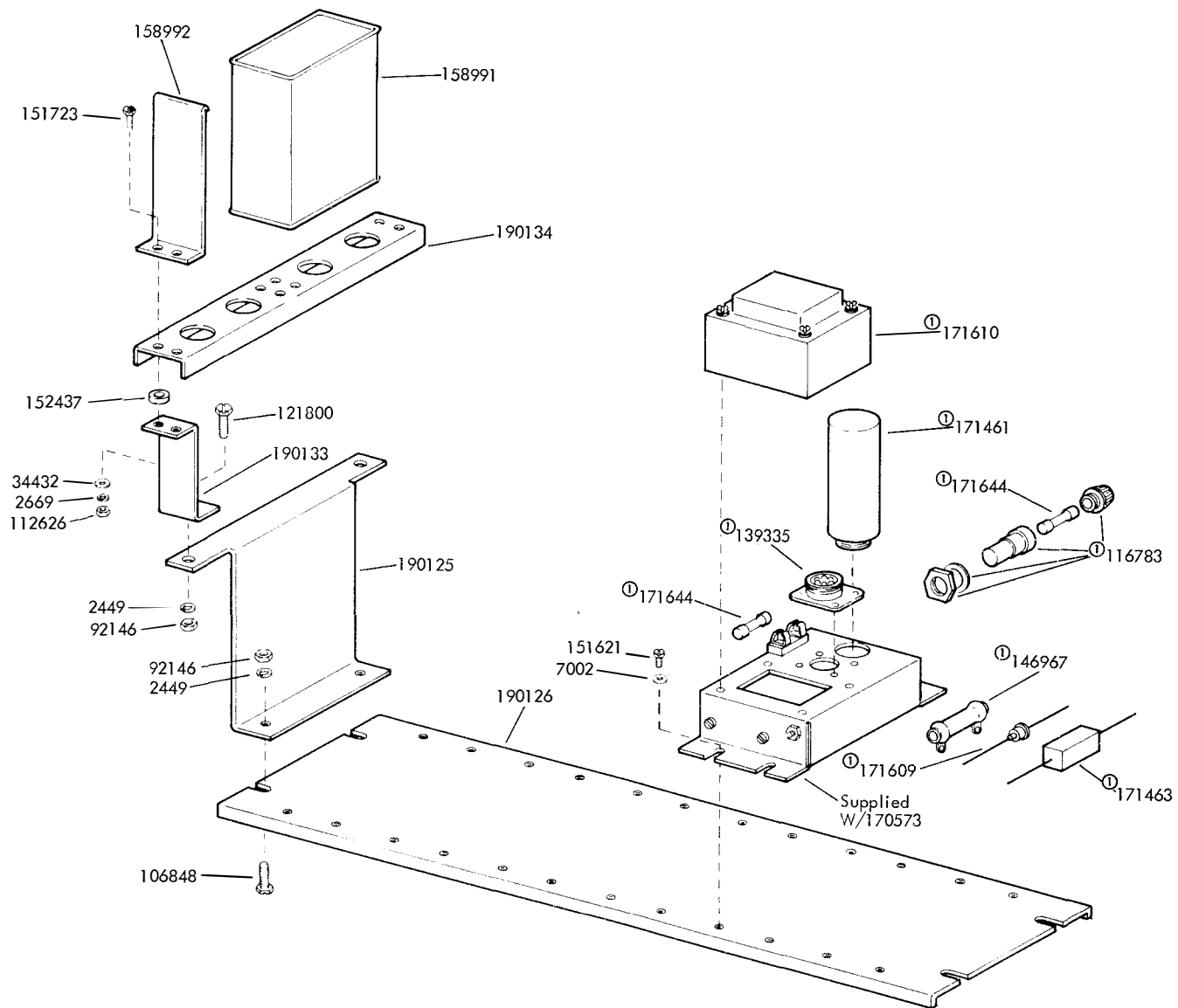
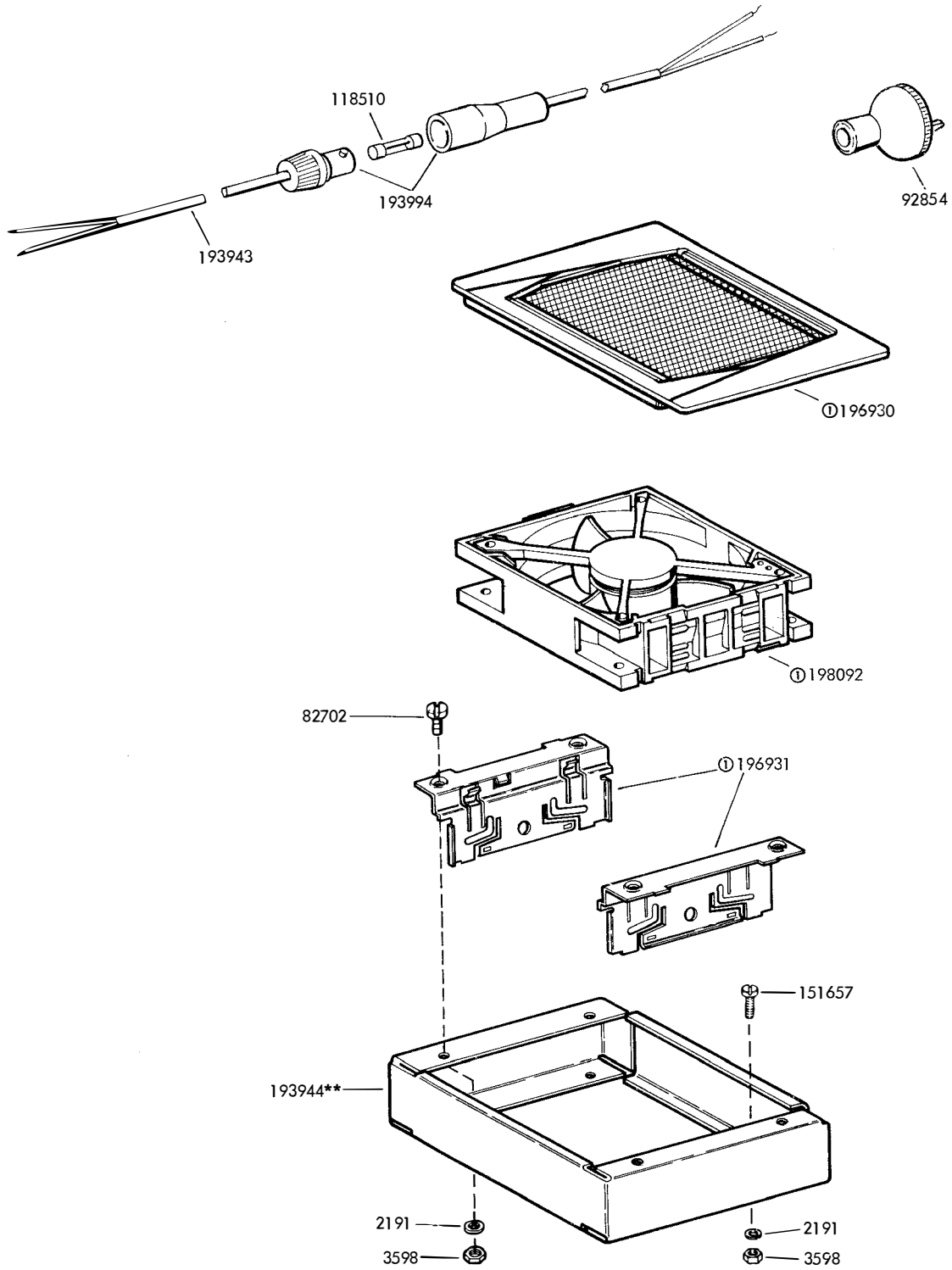


FIGURE 14. NUMBERING MODULE DRAWER



① 170573 48V, 1 Amp Rectifier Assembly

FIGURE 15. MOUNTING BRACKET AND SHELF FOR RECTIFIER ASSEMBLY



\*\*Refer to Page 1 for Finish Suffix

SPECIFICATION 501015

① 193942 Fan Assembly

FIGURE 16. 193941\*\* MODIFICATION KIT TO PROVIDE VENTILATION FAN

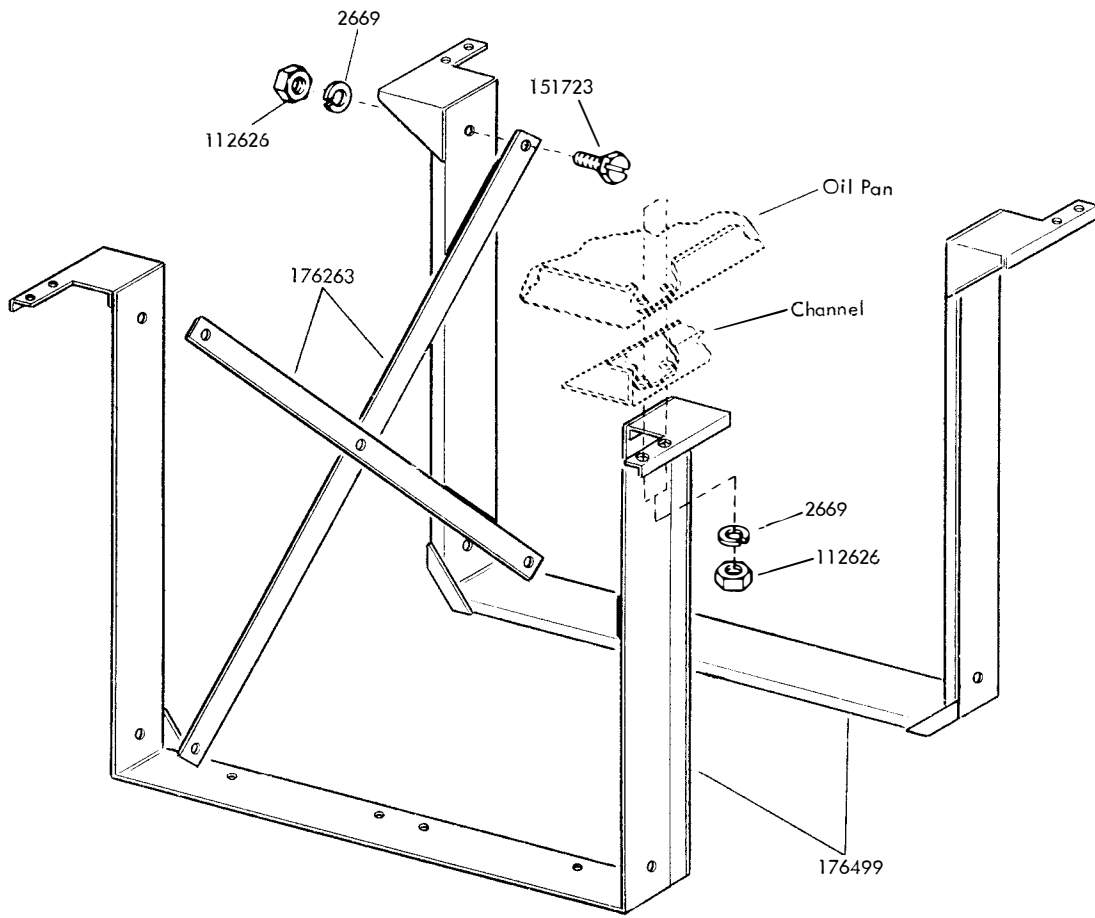
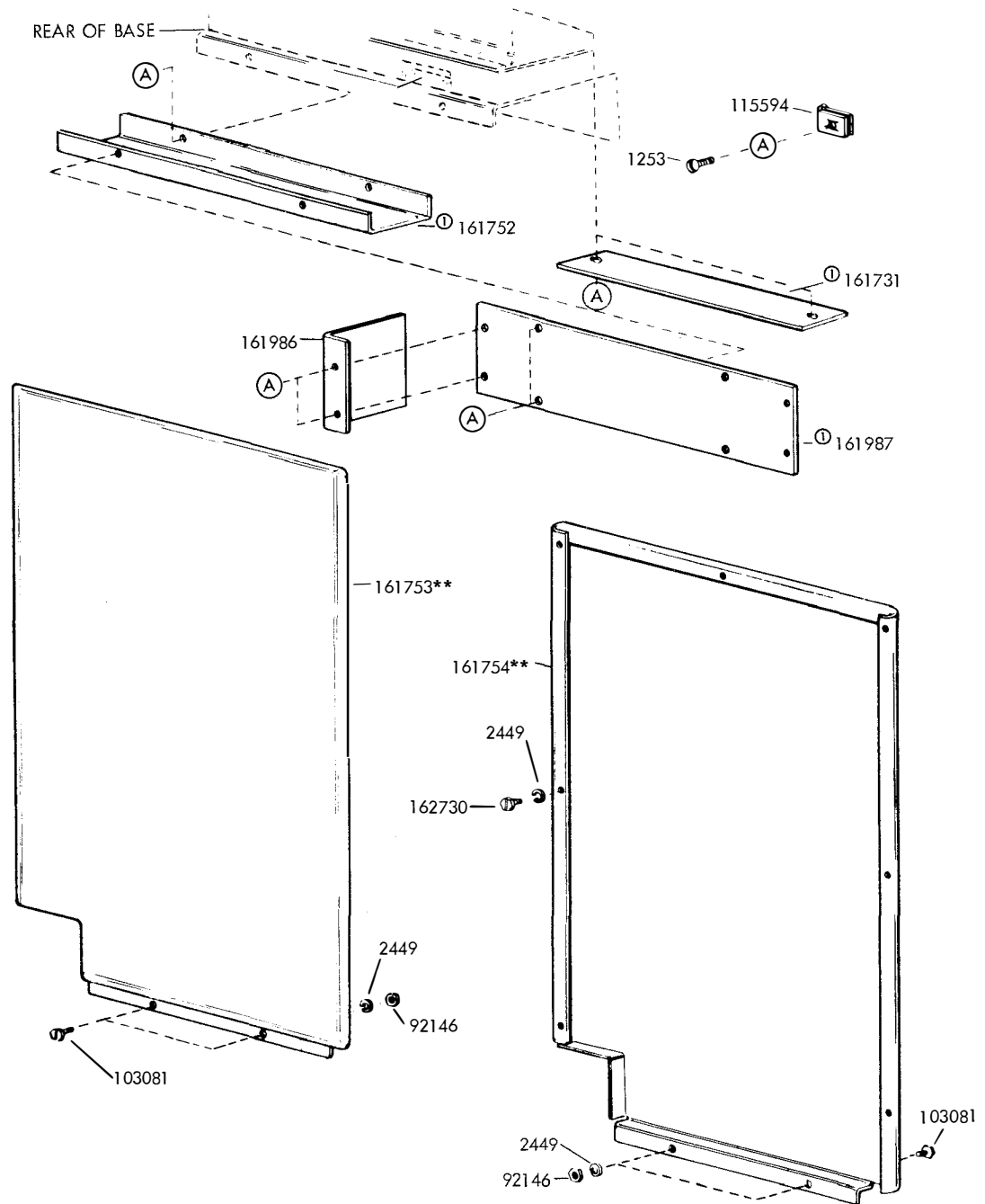


FIGURE 17. TAPE WINDER MOUNTING RACKS



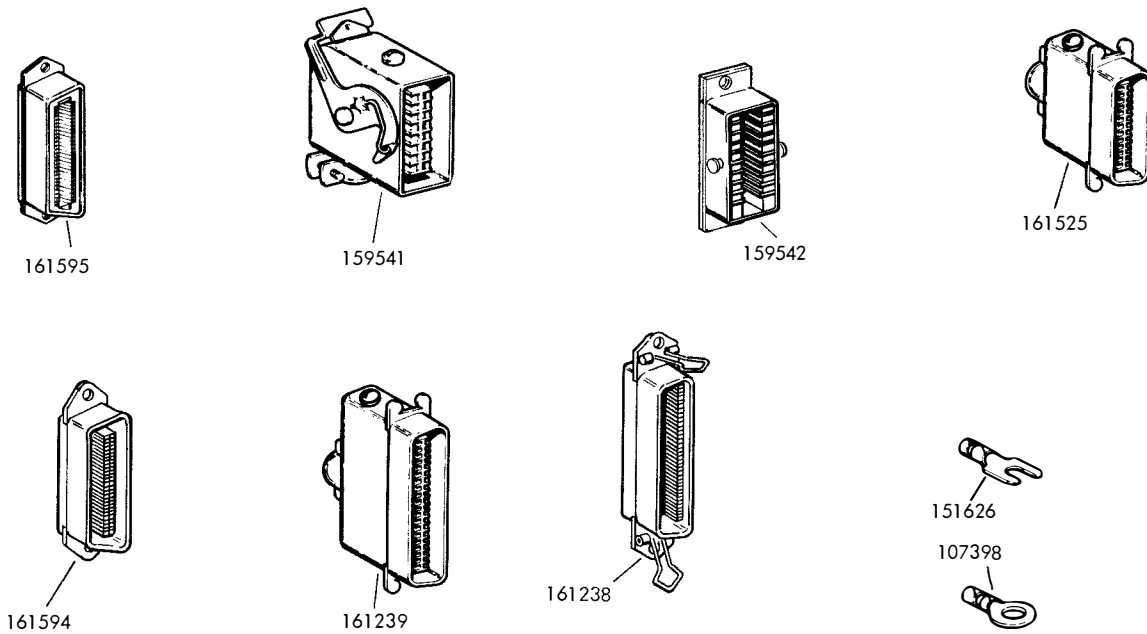





SPECIFICATION 59305

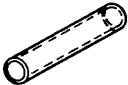
ⓐ NOT PART OF 161999\*\*

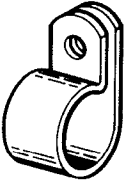
\*\*Refer to Page 1 for Finish Suffix

FIGURE 18. 161999\*\* MODIFICATION KIT TO PROVIDE END ENCLOSURES



CONNECTORS									
									
Inner (Length .31)				Outer (Length .25)			Insulated (Length .46)		
Part No.	I.D.	O.D.	Color	Part No.	I.D.	Color	Part No.	I.D.	Color
171950	.090	.114	Orange	171961	.187	Orange	171972	.187	Green
171951	.109	.131	Red	171962	.199	Tin	171973	.207	Black
171952	.124	.145	Green	171963	.207	Yellow	171974	.261	Red
171953	.134	.156	Orange	171964	.235	Orange	172275	.156	Yellow
171954	.150	.181	Blue	171965	.261	Yellow	172276	.180	Blue
171955	.156	.191	Red	171966	.281	Purple	172277	.235	Green
171956	.180	.204	Green	171967	.300	Green	172278	.281	Blue
171957	.194	.225	Blue	171968	.312	Yellow	172279	.312	Yellow
171958	.219	.243	Tin	171969	.344	Orange	144216	.210	Red
171959	.261	.297	Blue	171970	.375	Blue			
171960	.297	.337	Red	171971	.405	Red			

		
INSULATING SLEEVE		
Part Number	Length	I.D.
155750	1/2"	3/32"
155751	1"	1/8"
155752	1/2"	5/64"
155753	1/2"	1/8"
155754	1/2"	1/16"
155755	5/8"	11/64"

		
CABLE CLAMP		
Part Number	Width	I.D.
121242	3/8"	1/8"
121243	3/8"	3/16"
121244	3/8"	1/4"
121245	3/8"	5/16"
121246	3/8"	3/8"
121247	3/8"	7/16"
121248	3/8"	1/2"
121249	1/2"	5/8"
121250	1/2"	3/4"
121251	1/2"	1"

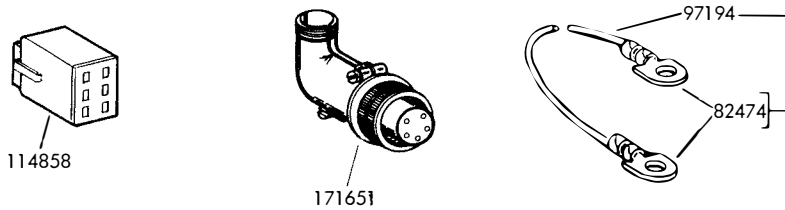


FIGURE 19. CABLE COMPONENTS

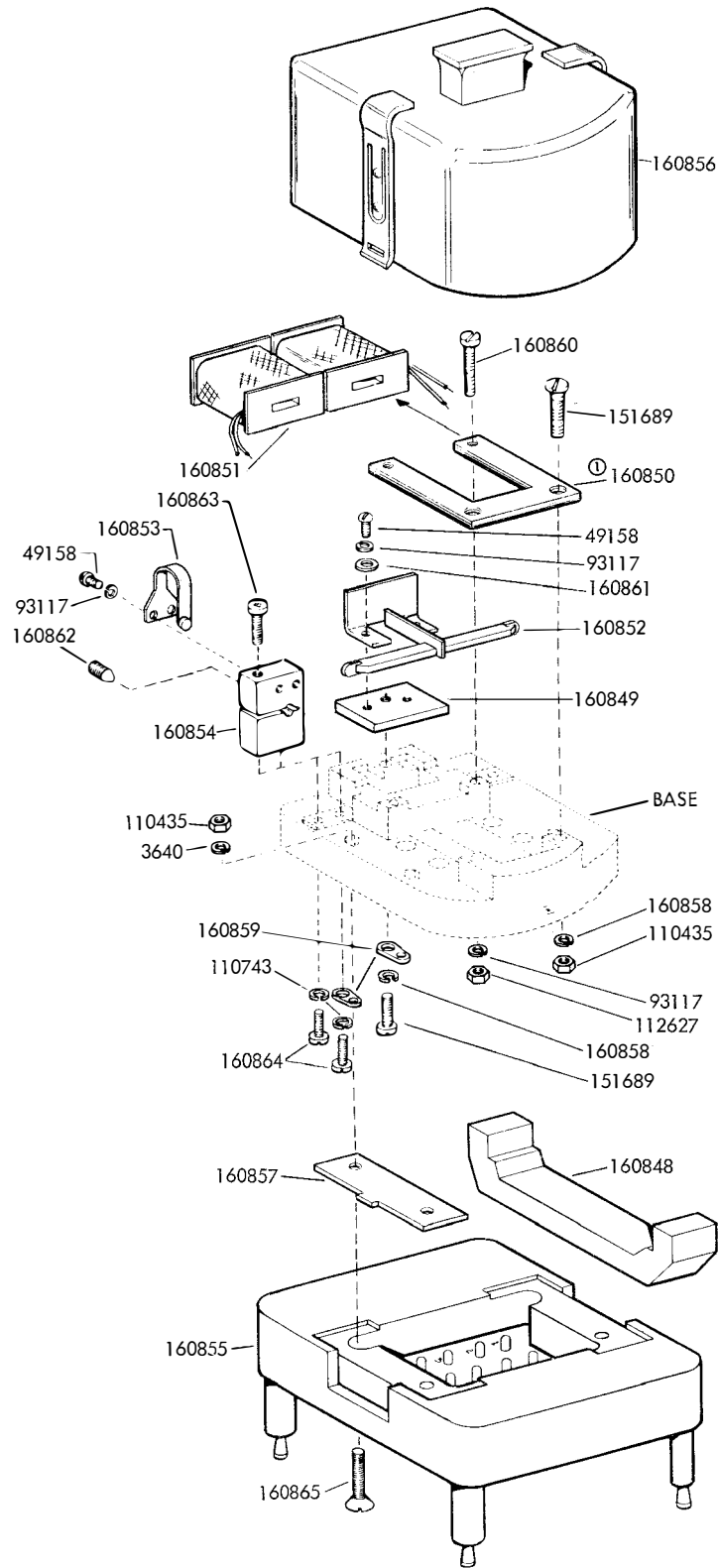


FIGURE 20. RY 33 POLAR LINE RELAY

## NUMERICAL INDEX

Part Number	Description and Page Number	Part Number	Description and Page Number	Part Number	Description and Page Number
1215	Screw, Shoulder (6-40) 2	99803	Insulator (.094") 8	139335	Connector, Plug (6 Pt) 14
1248	Screw (6-40 x 1/2 Flat) 8	99804	Insulator (.062") 8	144216	Connector, Shielding 18
1253	Screw (8-32 x 3/8 Rd) 2, 3, 6, 7, 10, 17	99805	Plunger 8	146967	Resistor (750 Ohms) 14
1262	Screw (6-32 x 5/16 Rd) 2, 3	99806	Bracket 8	150040	Screw (6-40 x 5/8 Fil) 4
1264	Screw (10-32 x 1/2 Flat) 5, 13	99807	Spring, Contact 8	150646	Screw, Shoulder (6-40) 8
2191	Washer, Lock 2, 3, 4, 7, 8, 9, 11, 12, 13, 15	99809	Spring, Contact 8	151152	Screw (4-40 x 3/16 Hex) 13
2254	Washer, Flat 12	103081	Screw (1/4-20 x 1/2 Fil) 17	151346	Screw (6-40 x 3/8 Fil) 9
2259	Washer, Flat 3	103241	Block, Terminal 11	151411	Block, Terminal 9
2263	Nut (8-32 Hex) 2	104807	Washer, Flat 8	151412	Insulator (1-9) 9
2449	Washer, Lock 5, 9, 11, 14, 17	106848	Cable w/Terminals 14	151416	Nut (6-40 Hex) 9
2669	Washer, Lock 2, 3, 5, 11, 13, 14, 16	107393	Switch, Toggle (SP-ST) 7	151422	Connector, Receptacle (2 Pt) 9
2726	Nut (8-32 Hex) 2, 3	107398	Terminal 18	151621	Screw (6-32 x 3/4 Rd) 14
3354	Nut (8-32 Hex) 11	110181	Screw (4-40 x 5/16 Fil) 8	151626	Terminal 18
3595	Nut (1/4-32 Hex) 5	110435	Nut (4-40 Hex) 19	151630	Screw (6-40 x 1/4 Hex) 3, 12, 13
3598	Nut (6-40 Hex) 2, 4, 7, 11, 12, 13, 15	110743	Washer, Lock 3, 5, 6, 12, 13, 19	151631	Screw (6-40 x 5/16 Hex) 4
3599	Nut (4-40 Hex) 5, 8	111017	Screw (6-40 x 5/16 Fil) 9	151657	Screw (6-40 x 1/4 Fil) 9, 13, 15
3605	Nut (5/16-18 Hex) 3	112498	Screw (6-40 x 3/4 Flat) 12	151658	Screw (6-40 x 5/16 Fil) 2
3606	Nut (6-40 Hex) 8, 9	112626	Nut (10-32 Hex) 2, 5, 11, 13, 14, 16	151686	Screw (4-40 x 3/8 Fil) 6
3610	Spring 5	112627	Nut (2-56 Hex) 19	151687	Screw (4-40 x 7/16 Fil) 3
3640	Washer, Lock 8, 19	112801	Stud 11	151689	Screw (4-40 x 3/4 Fil) 19
3646	Washer, Lock 2, 3, 10, 11, 12	114478	Nut (15/32-32 Hex) 2	151693	Screw (6-40 x 9/16 Fil) 9
4814	Washer, Lock 3	114626	Screw (6-40 x 2-1/16 Fil) 8	151722	Screw (6-40 x 3/16 Hex) 11
6035	Screw (1/4-20 x 5/8 Hex) 9	114858	Connector, Receptacle (6 Pt) 18	151723	Screw (10-32 x 3/8 Hex) 14, 16
6800	Screw, Shoulder (6-40) 13	115594	Nut, Speed 2, 3, 7, 17	151813	Cover 9
6827	Block 8	116783	Holder, Fuse 9, 14	151827	Strap, Terminal 9
7001	Washer, Flat 4	118510	Fuse (.250 Amp) 15	151939	Grommet, Rubber 9
7002	Washer, Flat 4, 8, 11, 12, 13, 14	118589	Switch, Push (Black) 2	152124	Spacer 8
8185	Screw (1/4-20 x 3/4 Fil) 3	118865	Cover 3	152437	Spacer (.125") 14
33765	Washer, Flat 12	119054	Spacer (.157") 12	152893	Screw (4-40 x 1/4 Hex) 12
34432	Washer, Flat 2, 14	119523	Screw (8-32 x 3/4 Rd) 11	152993	Screw, Shoulder (10-32) 2
35551	Screw (10-32 x 3/8 Flat) 5, 11, 13	119648	Ring, Retaining 4, 12	153017	Nut, Speed 8, 9
49158	Screw (2-56 x 1/4 Rd) 19	119650	Ring, Retaining 8	153103	Screw, Self-Tapping (4-40) 2
70314	Washer, Flat 7	119653	Ring, Retaining 12	153537	Screw (6-40 x 9/32 Hex) 11
74798	Screw (6-40 x 31/64 Fil) 12	119655	Ring, Retaining 10	153539	Screw (6-40 x 11/16 Hex) 12
75231	Bushing, Insulating 8	120166	Fuse (2 Amp) 9	154311	Chain, Bin Stop (40 Links) 2, 3
75750	Washer, Insulating 8, 9	120175	Plate (On-Off) 2	154312	Modification Kit 2
76099	Washer, Flat 2, 3	121005	Screw, Self-Tapping (#6 x 3/8) 2	154326	Cover, Insulating 11
77128	Washer, Insulating 12	121242	Clamp, Cable (1/8" ID) 18	154342	Bracket, Insulating Cover 11
77902	Screw (6-40 x 2-3/8 Rd) 9, 12	121243	Clamp, Cable (3/16" ID) 18	154343	Modification Kit 11
79523	Screw (2-56 x 25/32 Fil) 8	121244	Clamp, Cable (1/4" ID) 18	155023	Switch, Toggle (DP-DT) 2
80509	Post, Spring 5	121245	Clamp, Cable (5/16" ID) 18	155750	Sleeve, Insulating (3-32 ID x 1/2" Lg) 18
82250	Resistor (650 Ohm) 12	121246	Clamp, Cable (3/8" ID) 18	155751	Sleeve, Insulating (1/8 ID x 1" Lg) 18
82474	Terminal 18	121247	Clamp, Cable (7/16" ID) 18	155752	Sleeve, Insulating (5/64 ID x 1/2" Lg) 18
82516	Spring, Retaining 8	121248	Clamp, Cable (1/2" ID) 12, 18	155753	Sleeve, Insulating (1/8 ID x 1/2" Lg) 18
82702	Screw (6-40 x 9/32 Flat) 15	121249	Clamp, Cable (5/8" ID) 18	155754	Sleeve, Insulating (1/16 ID x 1/2" Lg) 18
83814	Washer, Flat 10	121250	Clamp, Cable (3/4" ID) 18	155755	Sleeve, Insulating (11/64 ID x 5/8" Lg) 18
86434	Screw (1/4-32 x 3/4 Fil) 5	121251	Clamp, Cable (1" ID) 12, 18	156078	Contact Assembly 12
87932	Nut (8-32 Hex) 3	121551	Screw (8-32 x 1/4 Hex) 12	156740	Screw (6-40 x 7/32 Hex) 12
89548	Spring, Contact 8	121800	Screw (1/4-20 x 1-1/4 Hex) 14	156770	Plate, Teletype Identification 2
90490	Shim (.005") 12	124516	Grommet, Rubber 7	156993	Nut, Speed 2
91517	Screw (8-32 x 3/4 Rd) 10	124612	Screw (8-32 x 1/2 Hex) 2, 3	158186	Screw (4-40 x 7/32 Fil) 8
91683	Nut (15/32-32 Hex) 2, 7	124741	Washer, Lock 8	158991	Capacitor (15 MFD) 14
91684	Nut (15/32-32 Ring) 7	125011	Washer, Flat 12	158992	Bracket, Mounting 18
92146	Nut (1/4-20 Hex) 9, 14, 17	125015	Washer, Flat 8, 9, 11, 13	158998	Retainer, Speed Nut 2, 9, 10, 11
92854	Connector, Plug (2 Pt) 15	125142	Screw (6-40 x 7/32 Fil) 8	159232	Screw, Captive (1/4-20) 9
93001	Washer, Flat 2	125205	Screw (6-40 x 7/16 Fil) 12	159541	Connector, Plug (16 Pt) 18
93117	Washer, Lock 19	125223	Nut (8-32 Hex) 10	159542	Connector, Receptacle (16 Pt) 18
93191	Screw (4-40 x 5/16 Flat) 2, 6	125229	Nut (6-32 Hex) 2, 3	160386	Resistor (1000 Ohm) 9
93969	Screw (4-40 x 3/16 Flat) 12	125302	Pin, Cotter 10, 11	160848	Magnet 19
94218	Screw (6-40 x 5/16 Flat) 12	125802	Washer, Flat 3, 6	160849	Piece, Pole 19
97194	Jumper (8" Black) 18	129098	Screw (6-40 x 11/32 Flat) 8	160850	Core 19
99802	Plate 8	129919	Fuse (4 Amp) 9		
		135038	Screw (6-40 x 9/16 Hex) 7		
		138191	Screw (3-48 x 1 Rd) 8		
		138225	Block, Terminal (6 Row) 10, 11		
		139158	Connector, Receptacle (Duplex) 11		

## NUMERICAL INDEX (Continued)

Part Number	Description and Page Number	Part Number	Description and Page Number	Part Number	Description and Page Number
160851	Coil, Magnet 19	163163	Pad 3	173461	Bracket, Terminal Block 10
160852	Armature 19	163958	Washer, Flat 2, 3	173464	Arm 2
160853	Contact, Relay 19	163972	Strip, Fuse Mounting 9	173478**	Modification Kit 4
160854	Support, Contact 19	163973	Plate, Nut 2, 3, 5	173479**	Modification Kit 4
160855	Plug, Adapter 19	164751	Box, Junction 11	173536	Bracket, Guard 12
160856	Cover 19	164752	Plate, Cover 11	173565	Arm 8
160857	Plate, Catch 19	165027	Network, Spark Suppression 12	173579	Connector, Plug (50 Pt) 8, 12
160858	Washer, Lock 19	165102	Screw (1/2-24 x 3/8 Rd) 8, 9	173715	Terminal, Plug Type 8, 12
160859	Terminal 19	170573	Rectifier Assembly 14	173832	Holder, Lamp 2
160860	Screw (2-56 x 3/8 Fil) 19	171461	Capacitor (900 MFD) 14	173864	Strip, Cable Guide 2
160861	Washer, Flat 19	171468	Resistor (10 Ohm) 14	173940	Terminal, Plug Type 8, 12
160862	Screw (8-56 Spl) 19	171485	Holder, Label (Black) 2	173974	Screw (10-32 x 5/16 Hex) 2, 3
160863	Screw (4-40 Spl) 19	171501	Relay 8	174232	Pin 4
160864	Screw (4-40 x 7/16 Fil) 19	171502	Relay 8	174234	Rod 4
160865	Screw (4-40 x 7/8 Flat) 19	171519	Capacitor (200 MFD) 8	174456	Plate, Nut 3
160858	Washer, Lock 19	171548	Capacitor (200/200 MFD) 8	174895	Lamp, Red 2
161087	Insulator (1-6) 11	171609	Diode 8, 14	174896	Lamp, Yellow 2
161238	Connector, Receptacle (36 Pt) 18	171610	Transformer 14	176150	Post 12
161239	Connector, Plug (36 Pt) 18	171644	Fuse (1.5 Amp) 14	176263	Strip 16
161525	Connector, Plug (14 Pt) 18	171651	Connector, Receptacle (6 Pt) 18	176442	Channel, Left Mounting 2
161594	Connector, Plug (36 Pt) 18	171921	Spacer (.065") 8	176443	Channel, Right Mounting 2
161595	Connector, Receptacle (36 Pt) 9, 18	171950	Connector, Shielding 18	176492**	Door, Right 2
161703**	Cover, Top 3	171951	Connector, Shielding 18	176493**	Door, Left 2
161705	Strike, Fastener 2, 6	171952	Connector, Shielding 18	176494	Window, Plastic 2
161706**	Door, Right Rear 6	171953	Connector, Shielding 18	176499	Bracket, Mounting 16
161707**	Door, Left Rear 6	171954	Connector, Shielding 18	176572	Switch, Stepping 12
161708	Latch, Magnetic 3, 6, 13	171955	Connector, Shielding 18	178264	Grip 2
161710	Channel, Left 5	171956	Connector, Shielding 18	178278	Capacitor (6 MFD) 12
161711	Block, Guide 5, 13	171957	Connector, Shielding 18	178289**	Frame, Top 2
161712	Latch, Lever 5	171958	Connector, Shielding 18	178290	Strip, Wear 2
161713	Bushing, Shoulder 5	171959	Connector, Shielding 18	178294	Drawer 13
161715	Channel, Right 5	171960	Connector, Shielding 18	178295	Bracket, Left 13
161716	Block, Support 5, 13	171961	Connector, Shielding 18	178296	Bracket, Right 13
161718**	Shelf 2, 3	171962	Connector, Shielding 18	178353**	Channel, Trim 2
161719**	Bin, Tape 3	171963	Connector, Shielding 18	178354**	Channel, Left Trim 2
161731	Plate, Cover 17	171964	Connector, Shielding 18	178355**	Channel, Right Trim 2
161747	Plate, Nut 2, 3, 6	171965	Connector, Shielding 18	178356	Clip, Paper 2
161748	Screw (5/16-18 x 5/8 Flat) 3	171967	Connector, Shielding 18	179179**	Bracket 2
161752	Channel, Duct 17	171968	Connector, Shielding 18	190101	Drum 12
161753**	Panel, Left Side 17	171969	Connector, Shielding 18	190102	Drum 12
161754**	Panel, Right Side 17	171970	Connector, Shielding 18	190105	Disk w/Post 12
161986	Cover, Duct 17	171971	Connector, Shielding 18	190106	Spring, Torsion 12
161987	Plate, Duct 17	171972	Connector, Shielding 18	190108	Bracket 12
161988	Bracket, Mounting 7	171973	Connector, Shielding 18	190109	Bracket, Mounting 12
161989	Panel, Control 7	171974	Connector, Shielding 18	190110	Base, Module 12
161993	Channel, Right Mounting 3	172275	Connector, Shielding 18	190111	Plate w/Post 12
161992	Channel, Left Mounting 3	172276	Connector, Shielding 18	190112**	Panel, Front 8
161994	Bracket, Terminal Block 11	172277	Connector, Shielding 18	190114	Board, Terminal 12
161995	Bracket, Terminal Block 11	172278	Connector, Shielding 18	190115	Bracket, Contact 12
161997	Frame, Mounting Rack 9	172279	Connector, Shielding 18	190116	Spacer (1/2" Thk) 12
161996	Frame, Mounting 9	173001	Panel, Control 7	190117	Relay (1000 Ohm) 12
161997	Frame, Mounting Rack 9	173002	Panel 7	190118	Relay 12
161999**	Modification Kit 17	173025**	Bin, Tape 2	190119	Relay 12
162002	Screw, Captive (1/4-20) 2, 10	173381**	Door, Left 2	190125	Bracket, Mounting 14
162006	Bracket 9	173382**	Door, Right 2	190126	Shelf, Mounting 14
162009**	Divider, Tape Bin 3	173413	Bracket, Right Mounting 10	190133	Bracket 14
162010**	Guide 3	173414	Bracket, Left Mounting 10	190134	Plate, Capacitor 14
162070	Plate, Mounting 9	173415	Frame, Mounting Rack 10	190135**	Cover 2
162678	Contact Assembly, Line Shunt 8	173416	Shaft 10	190137	Frame, Window 8
162679	Cable Assembly 9	173417	Plate, Locating 10	190138	Window 8
162680	Switch, Push 7	173418	Bracket, Left Anchor 10	190139	Screw, Drive 8
162692	Pin, Hinge 11	173419	Handle 10	190141	Board, Terminal 8
162730	Screw (1/4-20 x 7/16 Hex) 2, 3, 9, 11, 17	173432	Bracket, Right Anchor 10	190142	Board, Terminal 8
162739	Bracket, Terminal Block 11	173435**	Bracket, Front Plate 4	190145	Plate, Mounting 8
162821	Bracket 9	173436**	Rack 4	190146	Plate, Identification 8
162822	Relay 9	173437**	Container, Tape 4	190147	Plate, Identification 8
162865	Spacer (.125") 8	173438	Rod, Brush 4	190151	Plate, Mounting 2
		173439**	Railing 4		

\*\*Refer to Page 1 for Finish Suffix

## NUMERICAL INDEX (Continued)

Part Number	Description and Page Number	Part Number	Description and Page Number	Part Number	Description and Page Number
190152	Bracket, Connector 13	193941**	Modification Kit 15	196930	Grille 15
190153	Plate, Mounting 8	193943	Cable Assembly 15	196931	Clip 15
190154	Resistor (550 Ohm) 8	193944**	Extension, Fan Mounting 15	198059**	Bin, Tape 2
190155	Relay 8	193942	Fan Assembly 15	198060	Trim, Tape Bin 2
190324	Latch Assembly 8	193994	Holder Assembly ,Fuse 15	198092	Fan 15

\*\*Refer to Page 1 for Finish Suffix