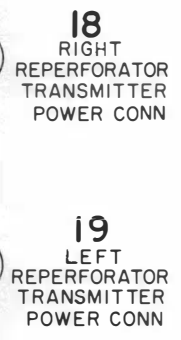
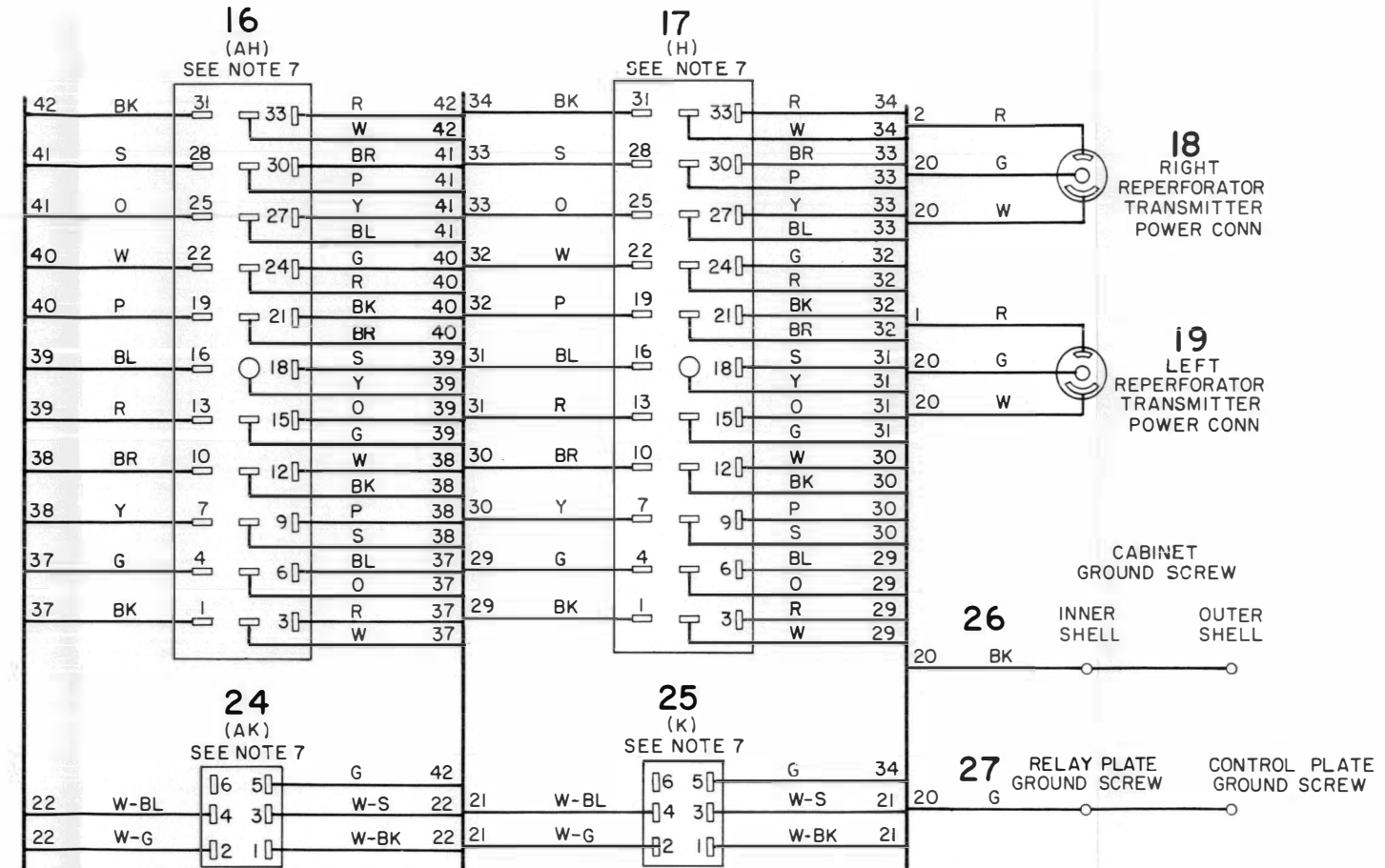
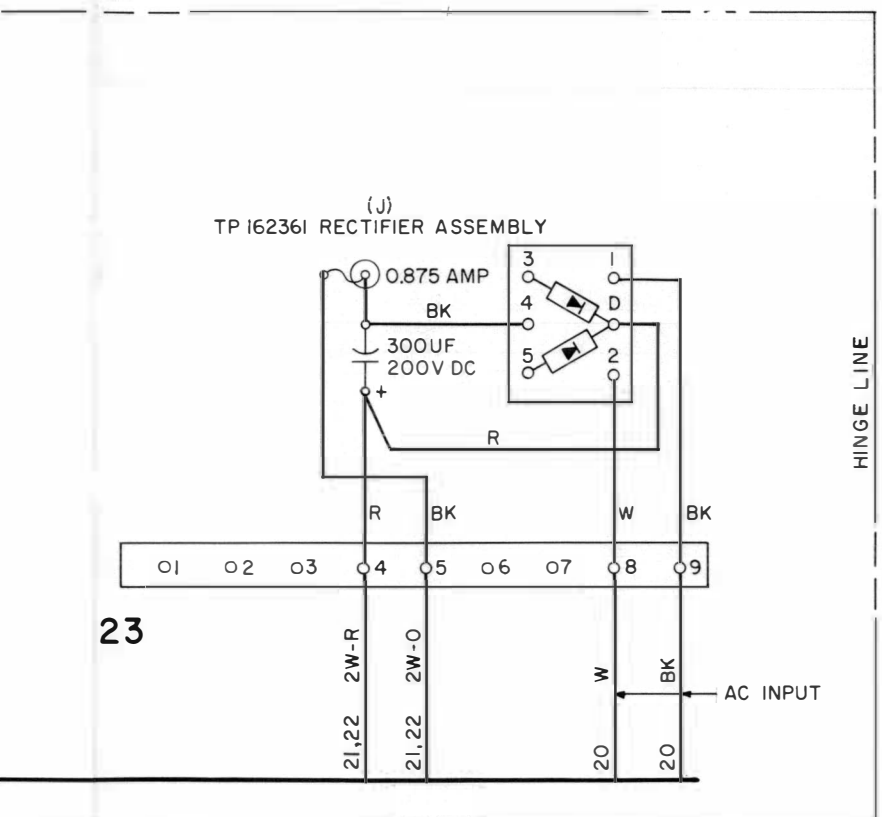
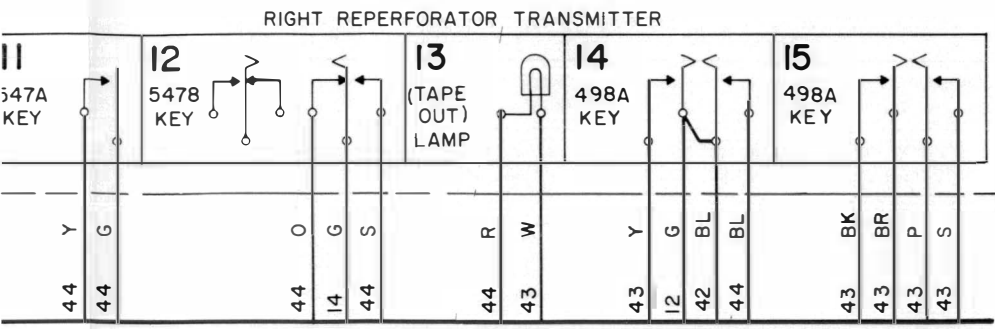


28 APPARATUS CABINETS

WIRING DIAGRAM

1. GENERAL

- 1.01 This section shows the wiring of the 28B and 28LA apparatus cabinets.



- NOTES:
1. UNIT WIRED FOR 115 VOLTS 50 TO 60 CYCLE AC POWER INPUT ONLY.
 2. CONNECTORS VIEWED FROM SOLDER TERMINAL ENDS.
 3. WIRES NOT MARKED ARE SURFACE WIRING.
 4. FUSE PROTECTION FOR REPERFORATOR TRANSMITTERS RATED AT 4 AMP.
 5. EXTERNAL SIGNAL LINE CONNECTIONS MADE TO RIGHT SIDE OF 120 POINT TERMINAL BLOCK AS FOLLOWS:
LEFT REPERFORATOR TRANSMITTER B-1 AND B-2
RIGHT REPERFORATOR TRANSMITTER AB-1 AND AB-2

6. CIRCUIT SHOWN FOR .06 AMP SELECTOR MAGNET OPERATION AND .02 AMP SIGNAL LINE OPERATION.
7. AS VIEWED FROM THE FRONT OF THE CABINET THE DESIGNATIONS ARE AS FOLLOWS:

RIGHT REPERFORATOR TRANSMITTER	LEFT REPERFORATOR TRANSMITTER
{AK} CONN	{K} CONN
{AH} CONN	{H} CONN
{AB} TS (LOWER)	{B} TS (UPPER)

8. TERMINAL STRIPS (B) & (AB) HAVE 120 TERMINALS. USE EVERY OTHER ROW STARTING WITH NO.1 AT TOP ROW.

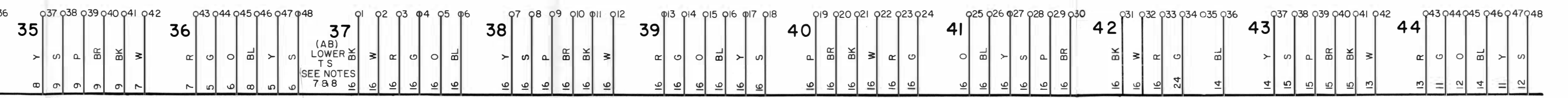
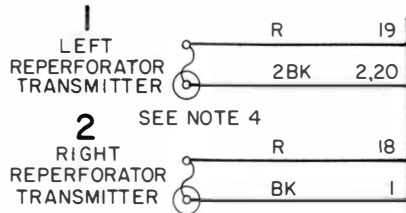


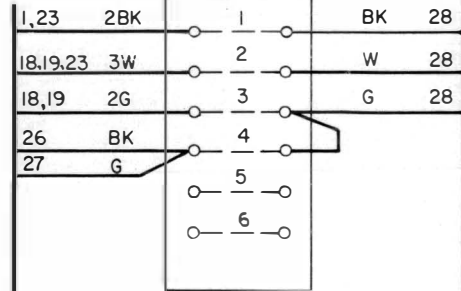
Figure 1 - 28B Apparatus Cabinet



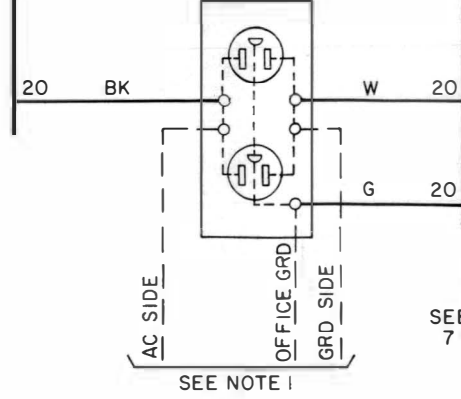
SEE NOTE 4



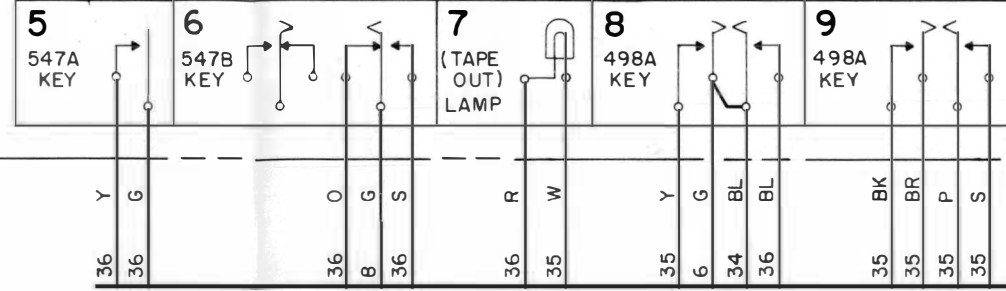
20 POWER TERMINAL BLOCK



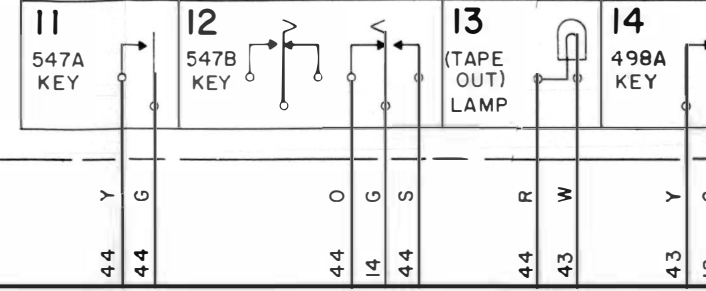
28 CONVENIENCE OUTLET



LEFT REPERFORATOR TRANSMITTER

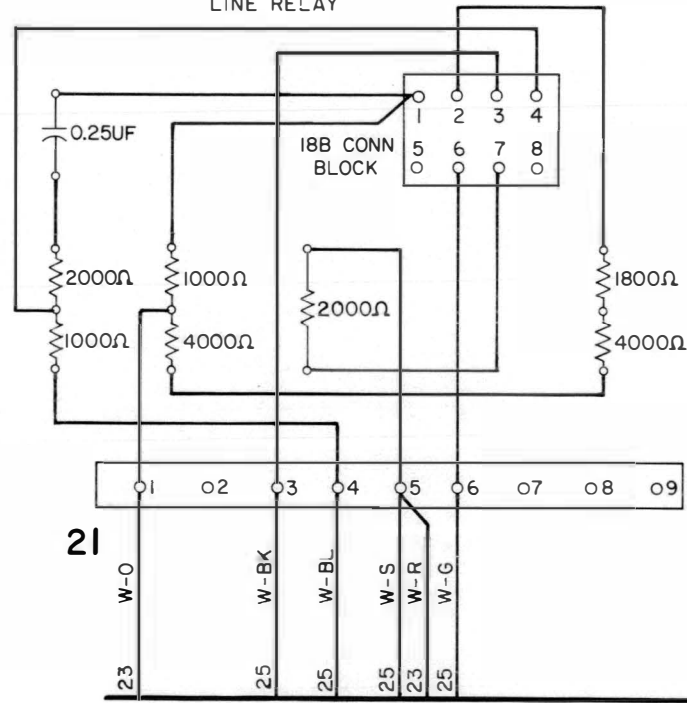


RIGHT REPERFORATOR TRANSMITTER

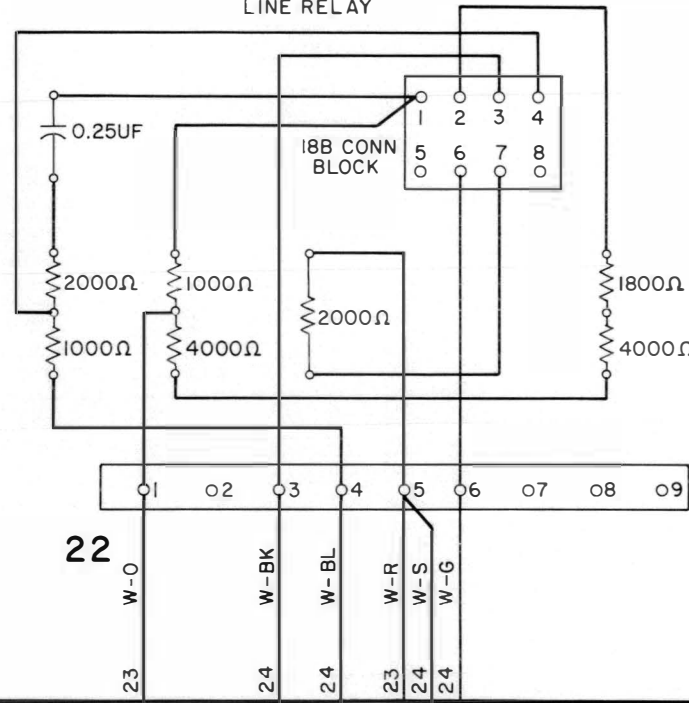


HINGE LINE

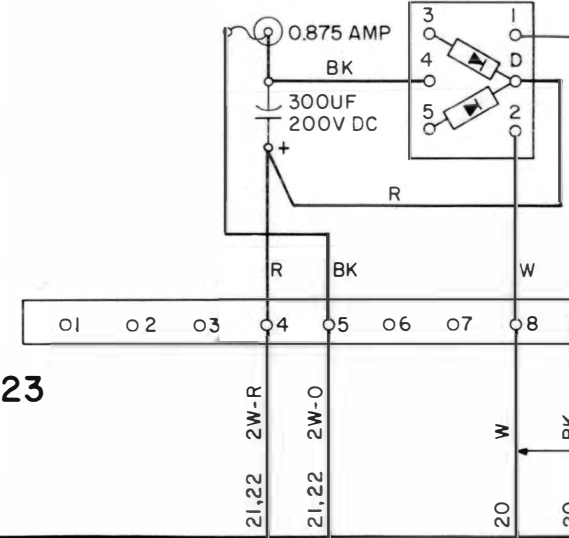
(W) LEFT REPERFORATOR TRANSMITTER LINE RELAY



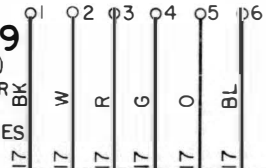
(AW) RIGHT REPERFORATOR TRANSMITTER LINE RELAY



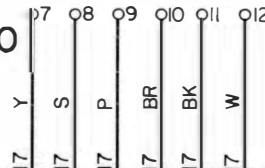
(J) TP I62361 RECTIFIER ASSEMBLY



29 UPPER T'S
SEE NOTES 7 8



30



31



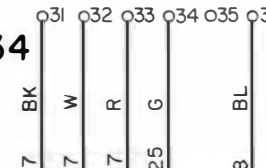
32



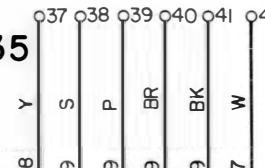
33



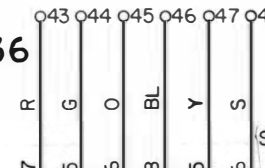
34



35



36



(A) LOW T SEE NOTES 7 8

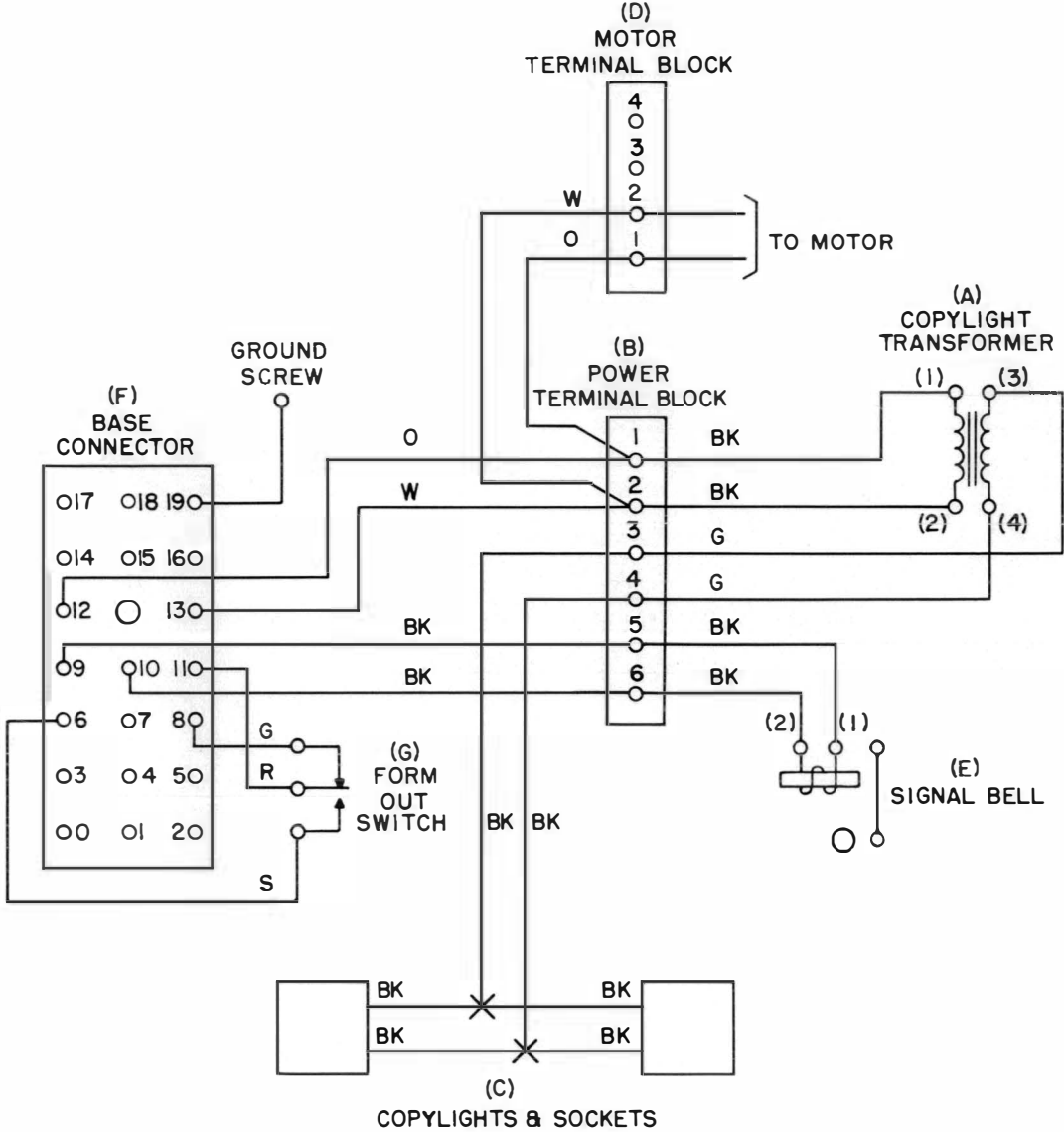


Figure 2 - 28LA Apparatus Cabinet