

S

28 KEYBOARD WITH PERFORATOR COVER (LBPC)

PARTS

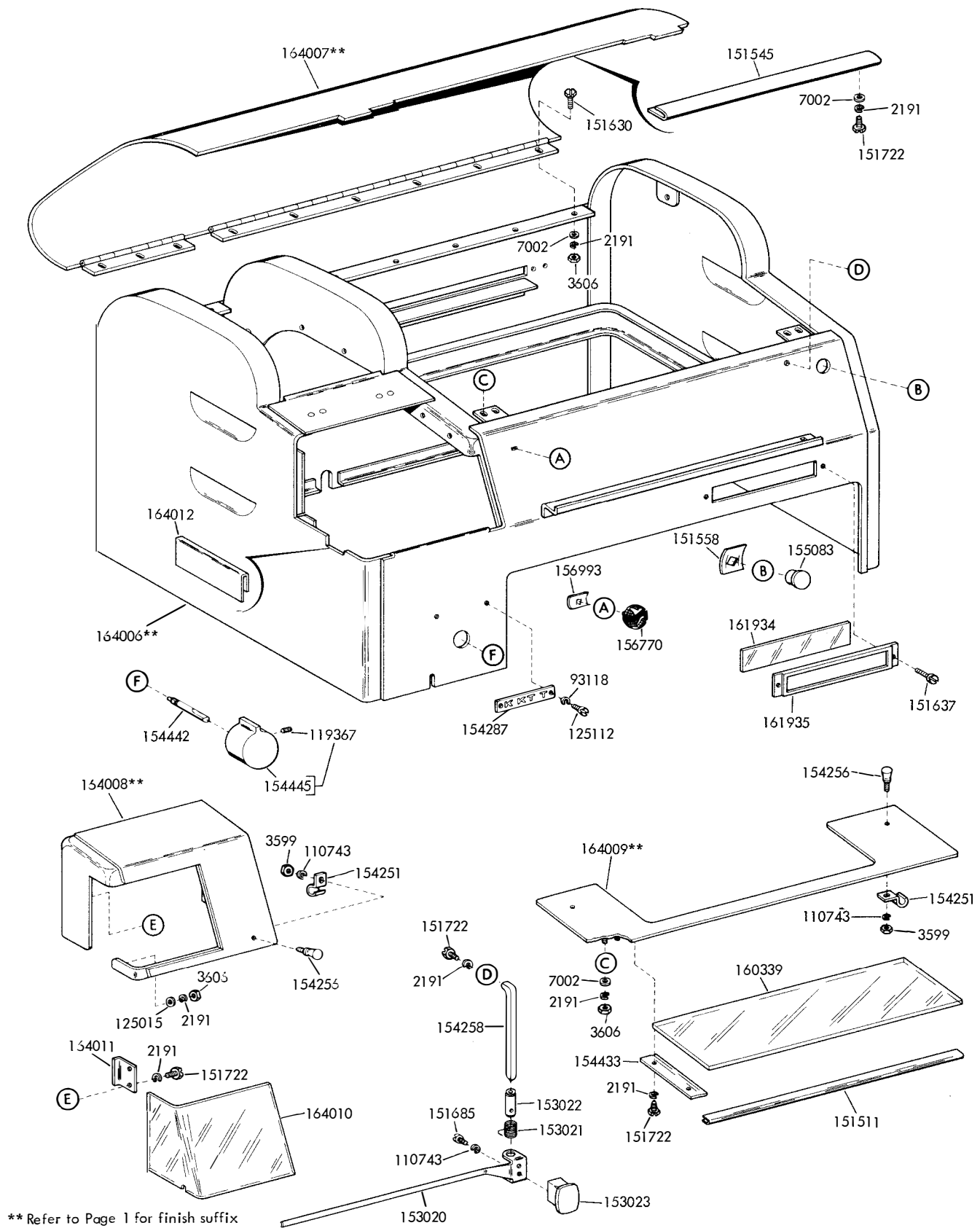
FIGURE	CONTENTS	PAGE
1	Skintight Cover for Keyboard with Perforator	2
2	Electrical Components and Cabinet Accessories	3
3	Felt Pads and Base Plate	4
	Numerical Index	5

PAINT FINISH COLOR CODE CHART									
(for parts and assemblies requiring a paint finish)									
Color	Finish Suffixes				Color	Finish Suffixes			
	Wrinkle Finish	Smooth Finish	Textured Vinyl	Smooth Vinyl		Wrinkle Finish	Smooth Finish	Textured Vinyl	Smooth Vinyl
Beige		ET			Gray, Federal		BV	GG	
Beige, Light		EL		HC	Gray, Green	AB (40)		GA (45)	
Beige, Rose		ER			Gray, Light		EJ		HB (68)
Black	AA (37)				Gray, Covert				HE
Black, High Gloss		BA (34)			Gray, Olive		EW	GE	HF (46)
Black, Semi Gloss		BB			Gray, Maritime				
Blue, Aqua		EK			Deck	AJ	BJ		
Blue, Brussels Light		EC			Gray, Oxford		EP		
Blue, Medium		ES			Green, Gray		BK		
Brown, Dark	AD (38)				Green, Moss		EN		HD
Brown, Light	AC (39)				Ivory		EM		
Fawn				HG	Pink Rose		EU		
Gray, Beige			GC		Turquoise		EV		
Gray, Charcoal	AL	BZ	GF	HA	White		EH		
Gray, Dark			GB		Yellow, Pastel		EG		

The double asterisk (\*\*) denotes a painted part. Suffix to be applied following the part number. Number in parenthesis indicates Bell System code

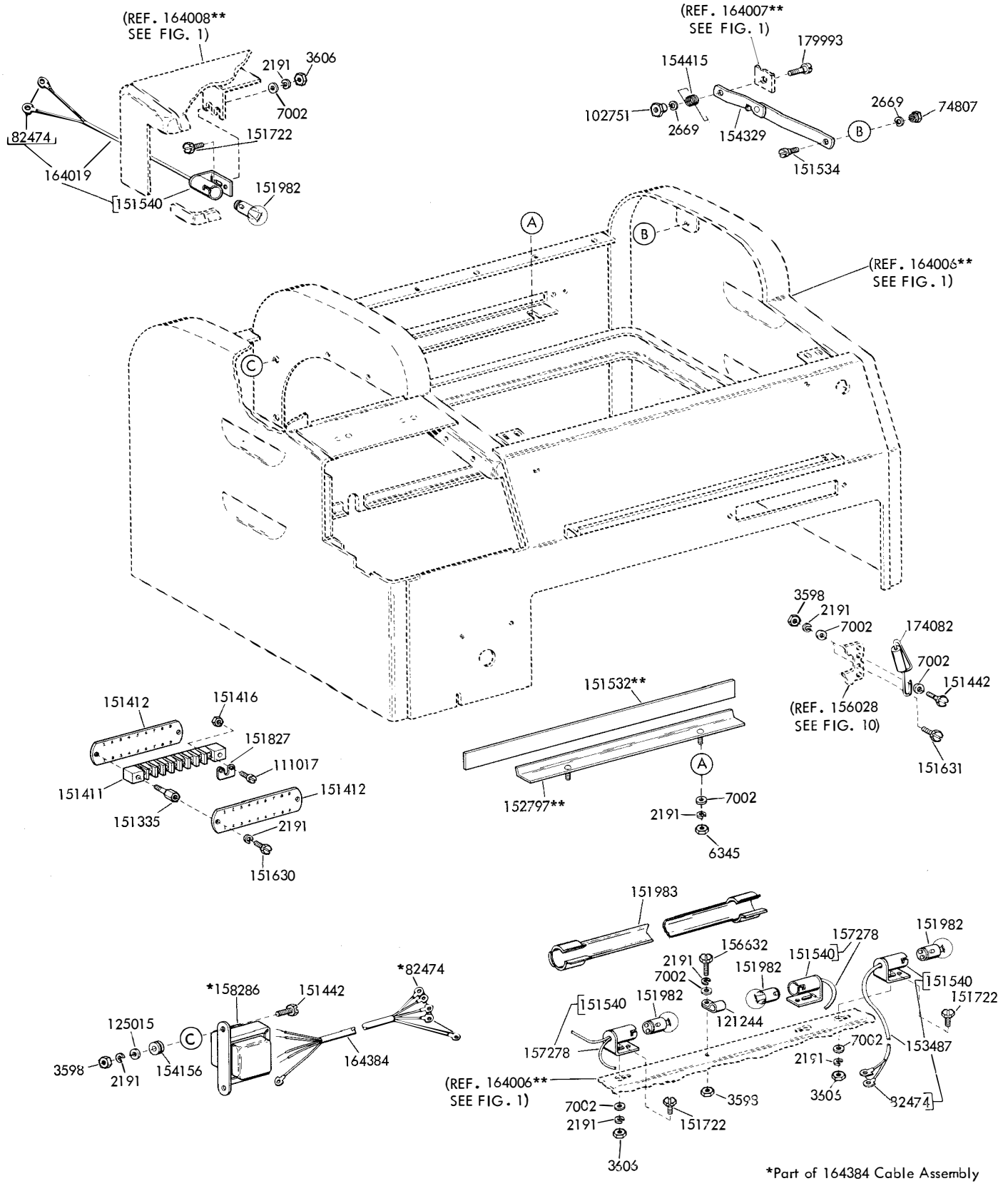
NOTE:

When ordering parts from this section, prefix each number with the letters TP.



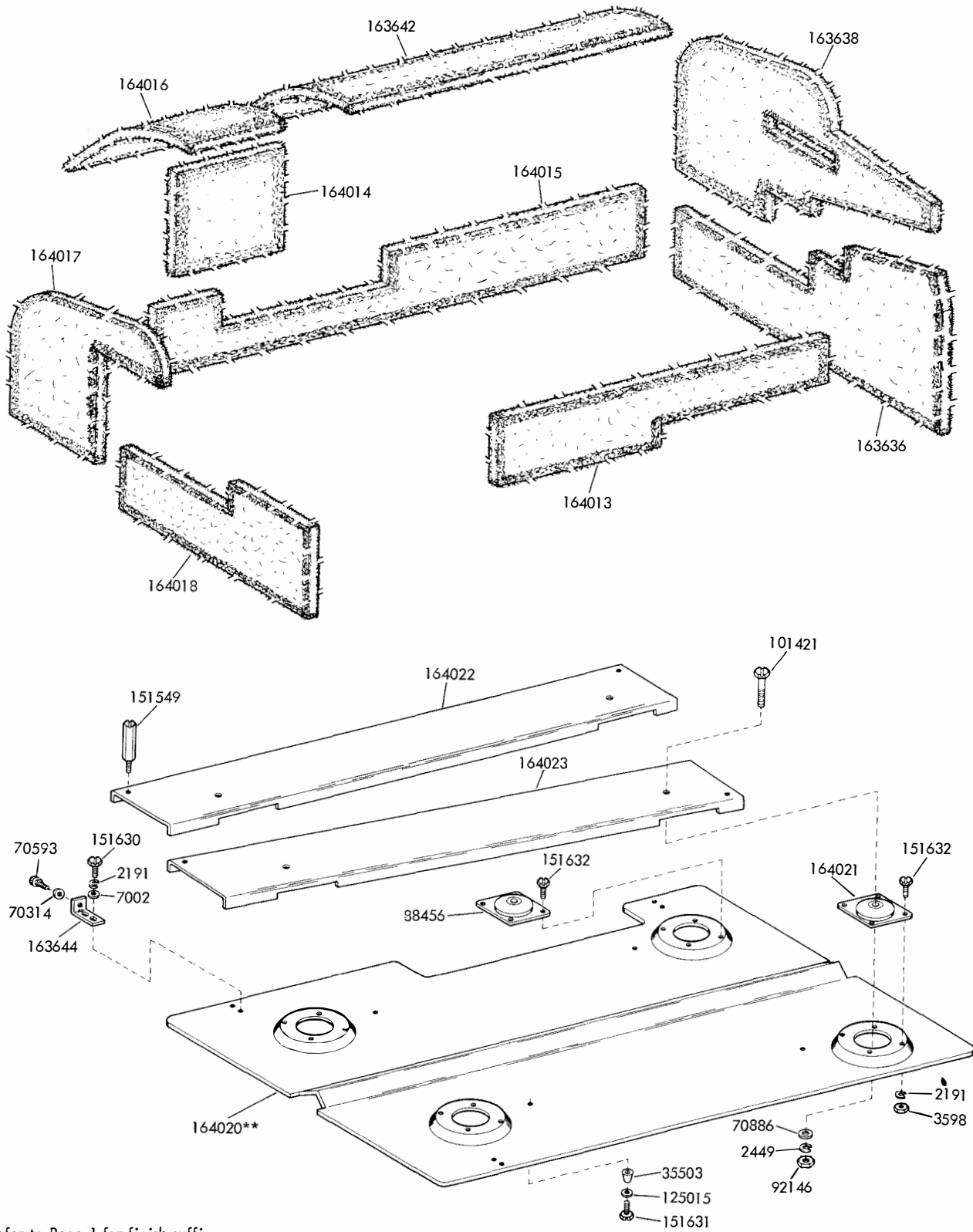
\*\* Refer to Page 1 for finish suffix

FIGURE 1. SKINTIGHT COVER FOR KEYBOARD WITH PERFORATOR



\*\* Refer to Page 1 for finish suffix

FIGURE 2. ELECTRICAL COMPONENTS AND CABINET ACCESSORIES



\*\* Refer to Page 1 for finish suffix

FIGURE 3. FELT PADS AND BASE PLATE

## NUMERICAL INDEX

Part Number	Description and Page Number	Part Number	Description and Page Number	Part Number	Description and Page Number
2191	Washer, Lock 2, 3, 4	151534	Screw, Shoulder (10-32) 3	156770	Plate, Identification (Teletype) 2
2449	Washer, Lock 4	151540	Lampholder 3	156993	Nut, Speed 2
2669	Washer, Lock 3	151545	Guide, Paper 2	157278	Cable Assembly 3
3598	Nut (6-40 Hex) 3, 4	151549	Post 4	158286	Transformer 3
3599	Nut (4-40 Hex) 2	151558	Nut, Speed 2	160339	Window, Glass 2
3606	Nut (6-40 Hex) 2, 3	151630	Screw (6-40 x 1/4 Hex) 2, 3, 4	161934	Window, Plastic 2
6345	Nut (6-32 Hex) 3	151631	Screw (6-40 x 5/16 Hex) 3, 4	161935	Frame, Window 2
7002	Washer, Flat 2, 3, 4	151632	Screw (6-40 x 3/8 Hex) 4	163636	Pad, Lower Right and Left Side 4
35503	Foot, Rubber 4	151637	Screw (4-40 x 1/4 Fil) 2	163638	Pad, Upper Right Side 4
70314	Washer, Flat 4	151685	Screw (4-40 x 5/16 Fil) 2	163642	Pad, Lid 4
70593	Screw, Thumb (6-40) 4	151722	Screw (6-40 x 3/16 Hex) 2, 3	163644	Bracket 4
70886	Washer, Flat 4	151827	Strap, Terminal 3	164006**	Cover 2
74807	Nut (10-32 Hex) 3	151982	Lamp, Incandescent (6V) 3	164007**	Door, Rear 2
82474	Terminal 3	151983	Shield, Light 3	164008**	Door, Left Front 2
88456	Mount, Vibration 4	152797**	Plate, Retaining 3	164009**	Door, Right Front 2
92146	Nut (1/4-20 Hex) 4	153020	Guide, Line 2	164010	Window, Glass 2
93118	Washer, Lock 2	153021	Spring, Torsion 2	164011	Plate 2
101421	Screw (1/4-20 x 1-1/4 Hex) 4	153022	Bushing 2	164012	Clip 2
102751	Nut (10-32 Hex) 3	153023	Handle 2	164013	Pad, Front 4
110743	Washer, Lock 2	153487	Cable Assembly 3	164014	Pad, Upper Left Rear 4
111017	Screw (6-40 x 5/16 Fil) 3	154156	Grommet, Rubber 3	164015	Pad, Lower Rear 4
119367	Screw, Set (8-32 Hex) 2	154251	Latch 2	164016	Pad, Rear Left Door 4
121244	Clamp, Cable (1/4" ID) 3	154256	Screw, Thumb (4-40) 2	164017	Pad, Upper Left Side 4
125015	Washer, Flat 2, 3, 4	154258	Shaft 2	164018	Pad, Lower Left Side 4
125112	Screw (2-56 x 1/8 Fil) 2	154287	Plate, Designation 2	164019	Cable Assembly 3
151335	Stud (6-40) 3	154329	Arm, Stop 3	164020**	Plate, Base 4
151411	Block, Terminal 3	154415	Spring, Torsion 3	164021	Mount, Vibration 4
151412	Insulator (1-9) 3	154433	Clamp 2	164022	Rail, Rear Base 4
151416	Nut (6-40 Hex) 3	154442	Shaft 2	164023	Rail, Front Base 4
151442	Screw (6-40 x 1/2 Hex) 3	154445	Knob 2	164384	Cable Assembly 3
151511	Gasket 2	155083	Lens, Indicator Light (Red) 2	174082	Guide, Tape 3
151532**	Cover, Form Slot 3	156632	Screw (6-40 x 13/32 Hex) 3	179993	Screw, Shoulder (10-32) 3

\*\*Refer to Page 1 for finish suffix

