

28 DISTRIBUTORS
WIRING DIAGRAM

1. GENERAL

- 1.01 This section shows the wiring for the 28A, 28A-1, 28A-2, 28D, 28D-1, 28D-2, 28J, 28J-1, 28J-2, 28K, and 28L distributors.
- 1.02 This section is reissued to add the wiring of the 28L distributor and to add explanatory Note 4.

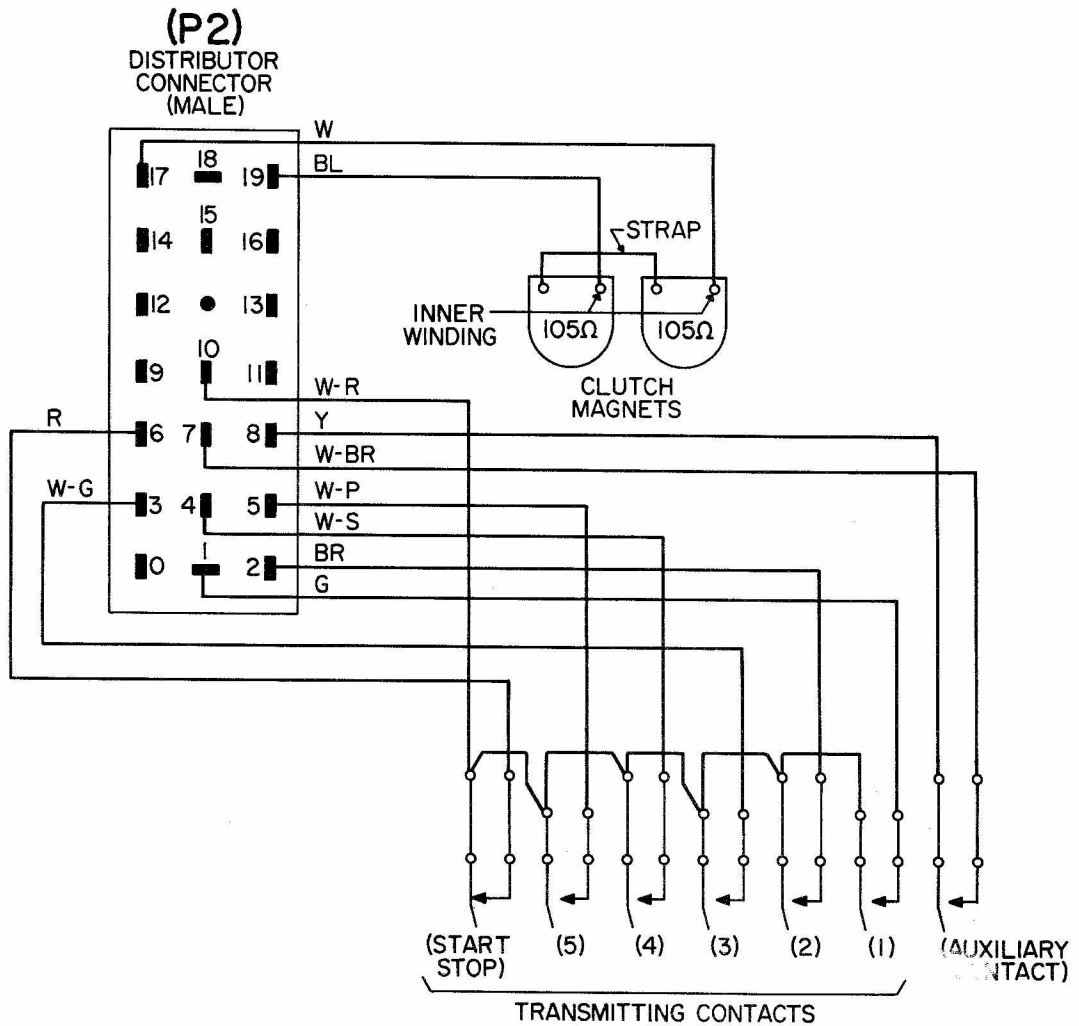
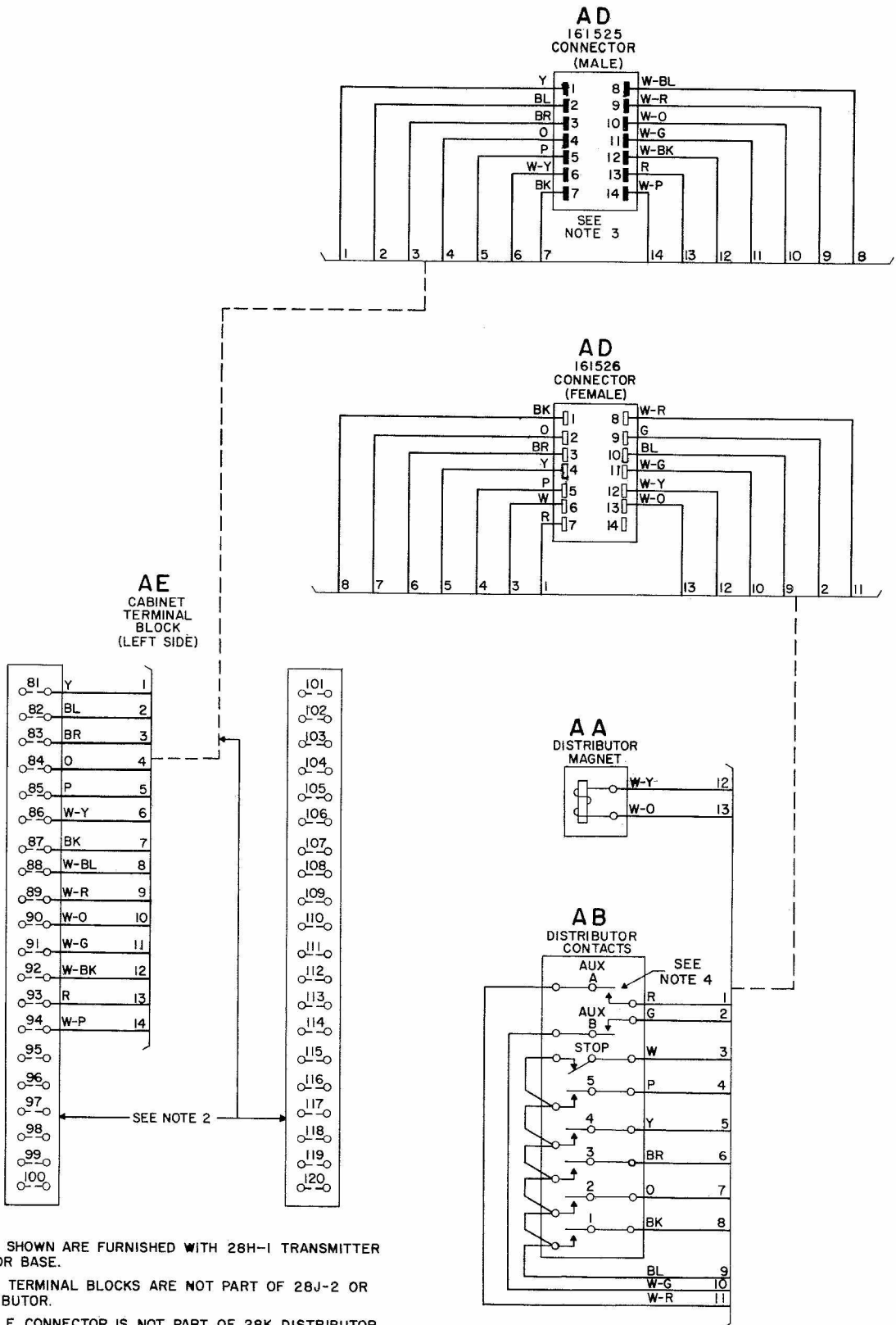


Figure 1 - 28A, 28A-1, 28A-2, 28D, 28D-1, and 28D-2 Distributors



NOTES:

1. ALL PARTS SHOWN ARE FURNISHED WITH 28H-1 TRANSMITTER DISTRIBUTOR BASE.
2. CABLE AND TERMINAL BLOCKS ARE NOT PART OF 28J-2 OR 28K DISTRIBUTOR.
3. 161525 MALE CONNECTOR IS NOT PART OF 28K DISTRIBUTOR.
4. ON 28L AUX A DISTRIBUTOR CONTACT, IS CLOSED IN THE STOP POSITION.

Figure 2 - 28J, 28J-1, 28J-2, 28K, and 28L Distributors