

28 TRANSMITTER OR TRANSMITTER-DISTRIBUTOR BASE (LXDB)  
AND 28 MULTIPLE TRANSMITTER-DISTRIBUTOR BASE (LMBX)

PARTS					
Figure	Contents	Page	Figure	Contents	Page
1	Base and Electrical Components	2	8	163317 (5 Level) and 194339 (6 Level and Up) Modification Kits to Provide Multiple Wire Output for the Transmitter Distributor Base (LXDB)	9
2	Miniature Base and Electrical Components	3	9	174365** and 179284** (Miniature) Modification Kits to Adapt a Transmitter Distributor Base as a Replacement for a Model 14 Transmitter Distributor	10
3	Miniature Base and Electrical Components (Continued)	4	10	Cable Assemblies	11
4	Multiple Mounting Base	5	11	Pan, Bracket and Bars to Mount Mechanically Coupled Dual Transmitter Distributor	12
5	Drive Mechanism for Single Mounted Units or Multiple Mounted Units Driven at a Common Speed	6		Numerical Index	13
6	Drive Mechanism for Multiple Mounted Units Driven at Independent Speeds	7			
7	Shaft Mechanism for Multiple Mounted Units	8			

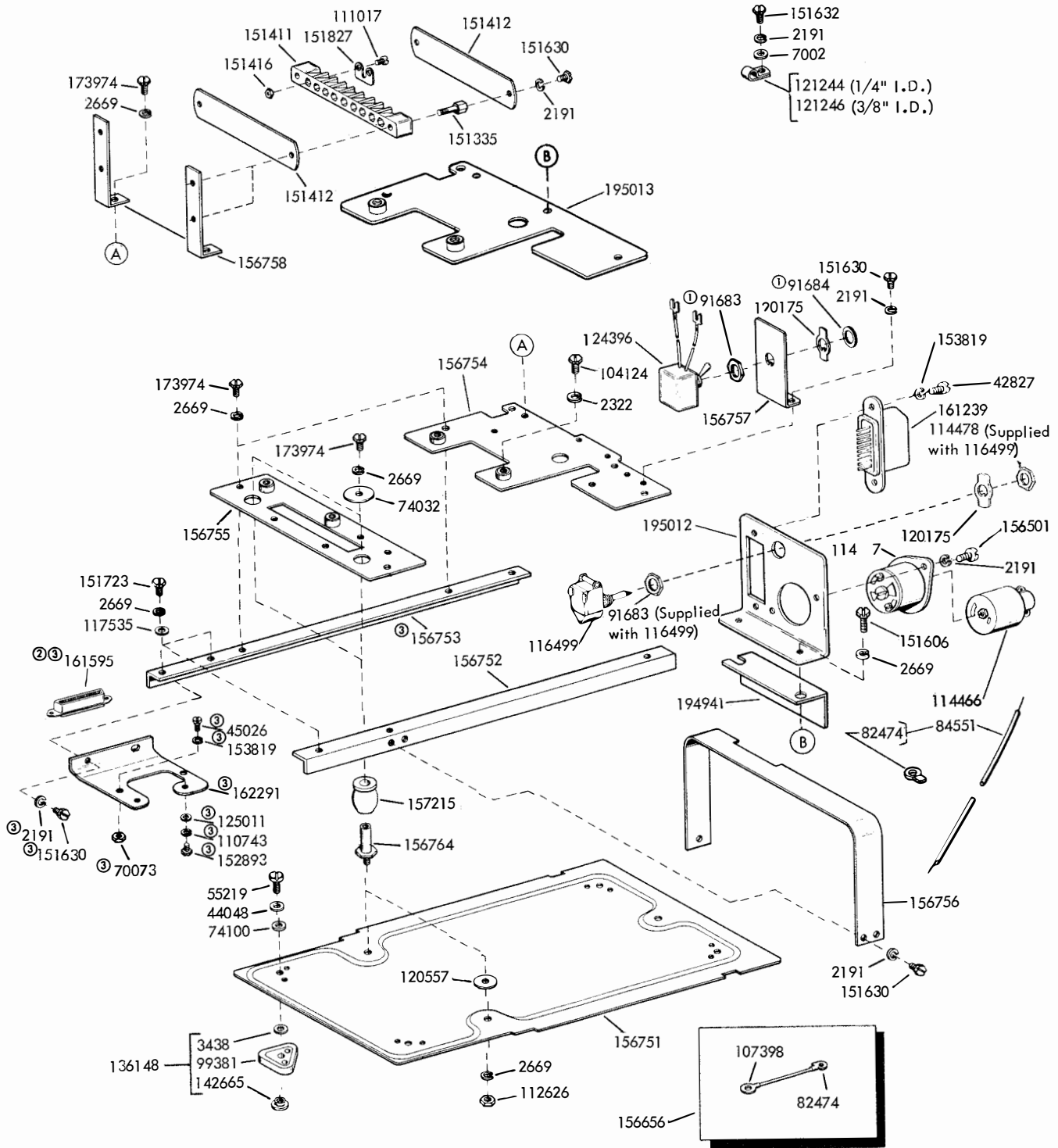
UNIT	TELETYPE CODE	BELL SYSTEM CODE
GEARS	156658	28G
	156728	28H
	156659	28J
MULTIPLE TRANSMITTER BASE	LMBX202**	28J**

LXDB1 is Part of Bell System 28E\*\* Mounting and Cover Assembly  
LXDB3 is Part of Bell System 28H\*\* Mounting and Cover Assembly  
LXDB5 is Part of Bell System 28H-1\*\* Mounting and Cover Assembly

NOTE: When ordering parts from this section, prefix each number with the letters TP.

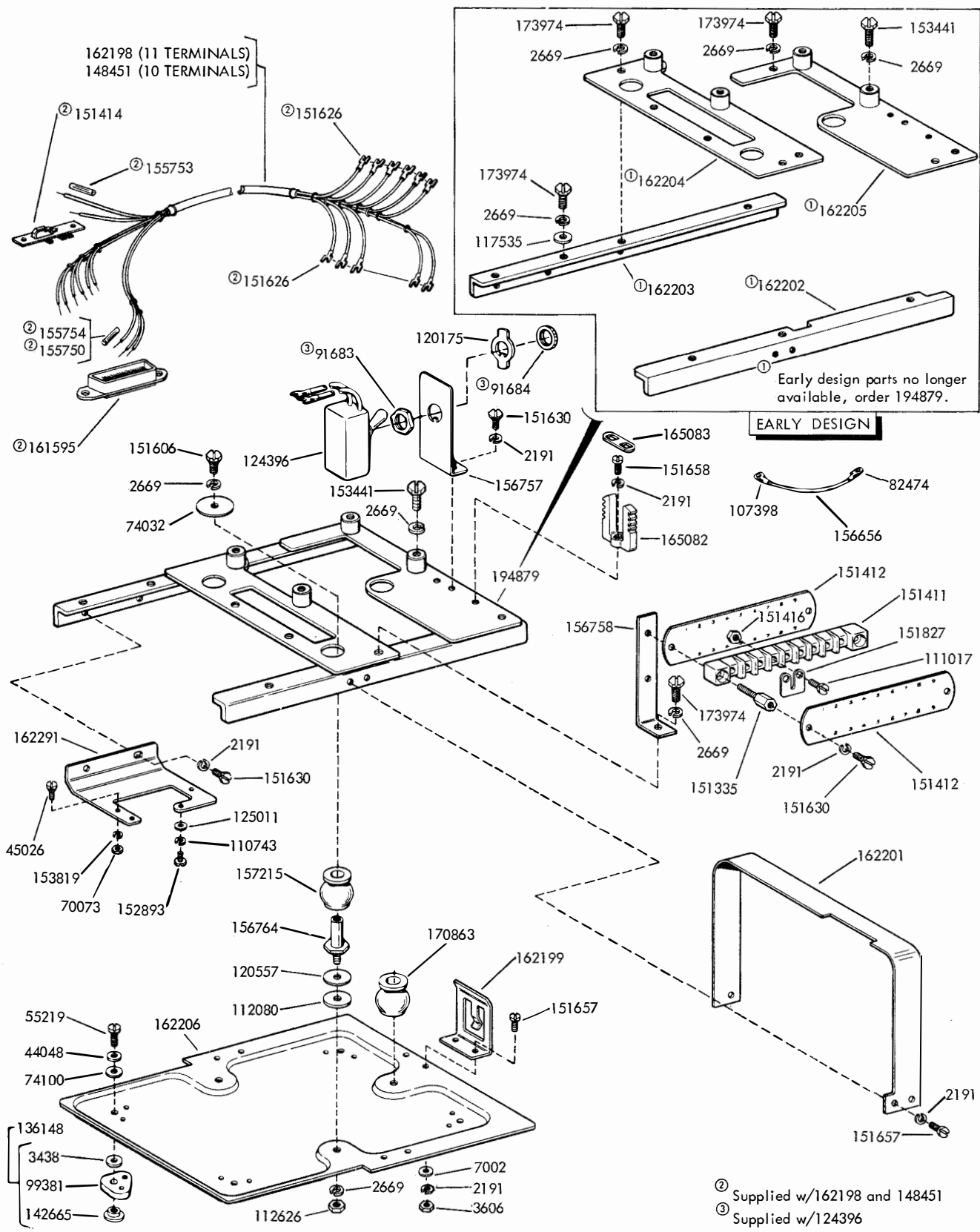
PAINT FINISH COLOR CODE CHART (for parts and assemblies requiring a paint finish)												
Color	Finish Suffixes				Color	Finish Suffixes						
	Wrinkle Finish	Smooth Finish	Textured Vinyl	Smooth Vinyl		Wrinkle Finish	Smooth Finish	Textured Vinyl	Smooth Vinyl			
Beige	AA (37)	ET	GC	HC	Gray, Federal	AB (40)	BV	GG	HD			
Beige, Light		EL			Gray, Green		BK	GA (45)				
Beige, Rose		ER			Gray, Light		EJ	HB (68)				
Black		BA (34)			GF		Gray, Covert	EW		GE	HF (46)	
Black, High Gloss							BB					Gray, Olive
Black, Semi Gloss							EK					Gray, Maritime Deck
Blue, Aqua							EC					Gray, Oxford
Blue, Brussels Light		AD (38)			ES		Green, Gray	AJ		BJ	EP	
Blue, Medium							EA					Green, Moss
Brown, Dark		AC (39)			GB		Ivory	AB (40)		EN	EM	
Brown, Light	EB		Pink, Rose	EU								
Fawn	AL	BZ	Turquoise	HA	EV	EH						
Gray, Beige			GC				White					
Gray, Charcoal			GF				Yellow, Pastel					
Gray, Dark			GB									

The double asterisk (\*\*) denotes a painted part. Suffix to be applied following the part number. Number in parenthesis indicates Bell System code



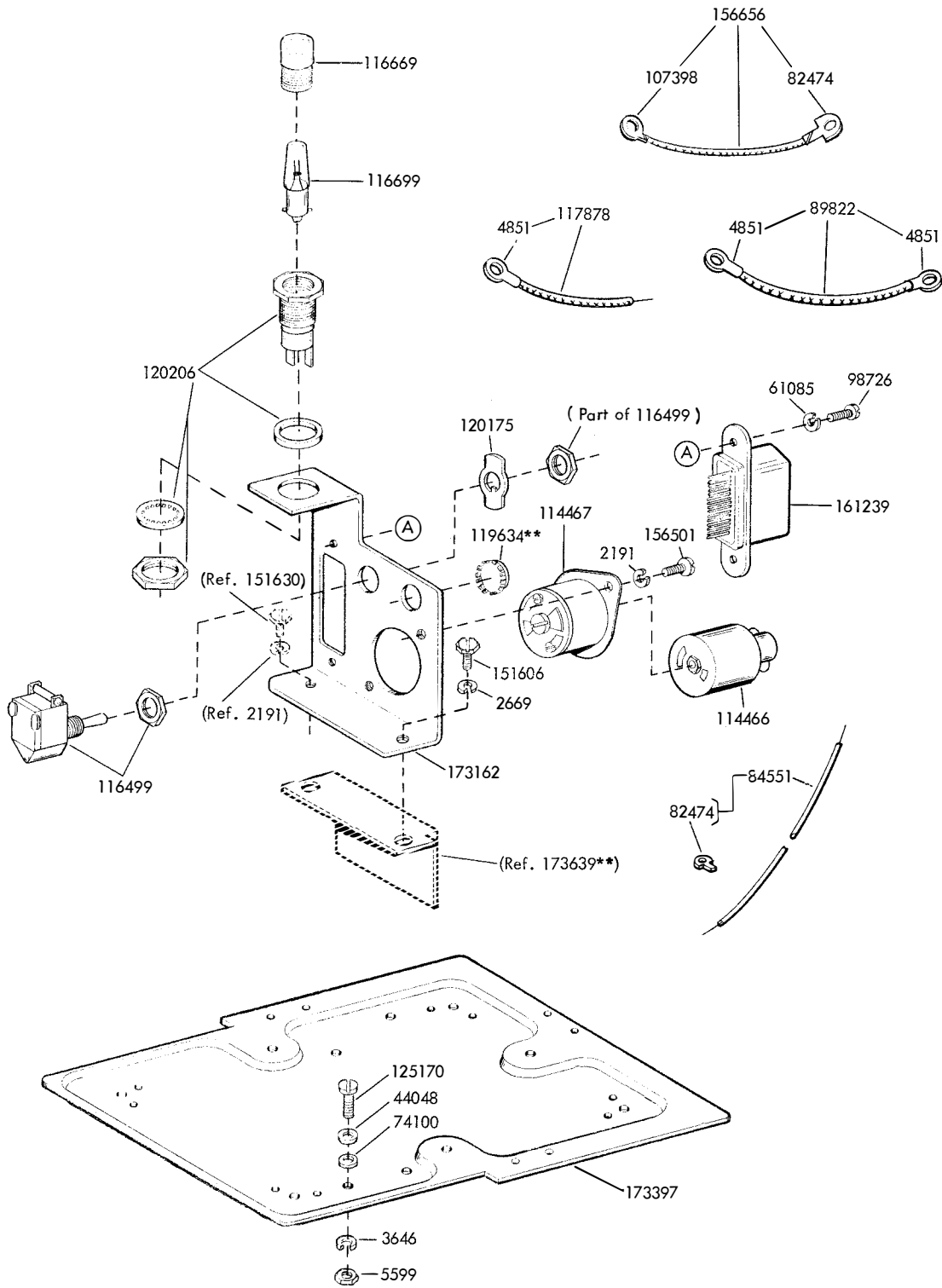
- ① Supplied w/124396
- ② Part of ③162295 Cable Assembly
- ③ 162463 Modification Kit to convert an LXDB1 to an LXDB3 Transmitter Distributor Base (Specification 58945)

FIGURE 1. BASE AND ELECTRICAL COMPONENTS



- ② Supplied w/162198 and 148451
- ③ Supplied w/124396

FIGURE 2. MINIATURE BASE AND ELECTRICAL COMPONENTS



\*\*Refer to page 1 for Finish Suffix

FIGURE 3. MINIATURE BASE AND ELECTRICAL COMPONENTS (Continued)

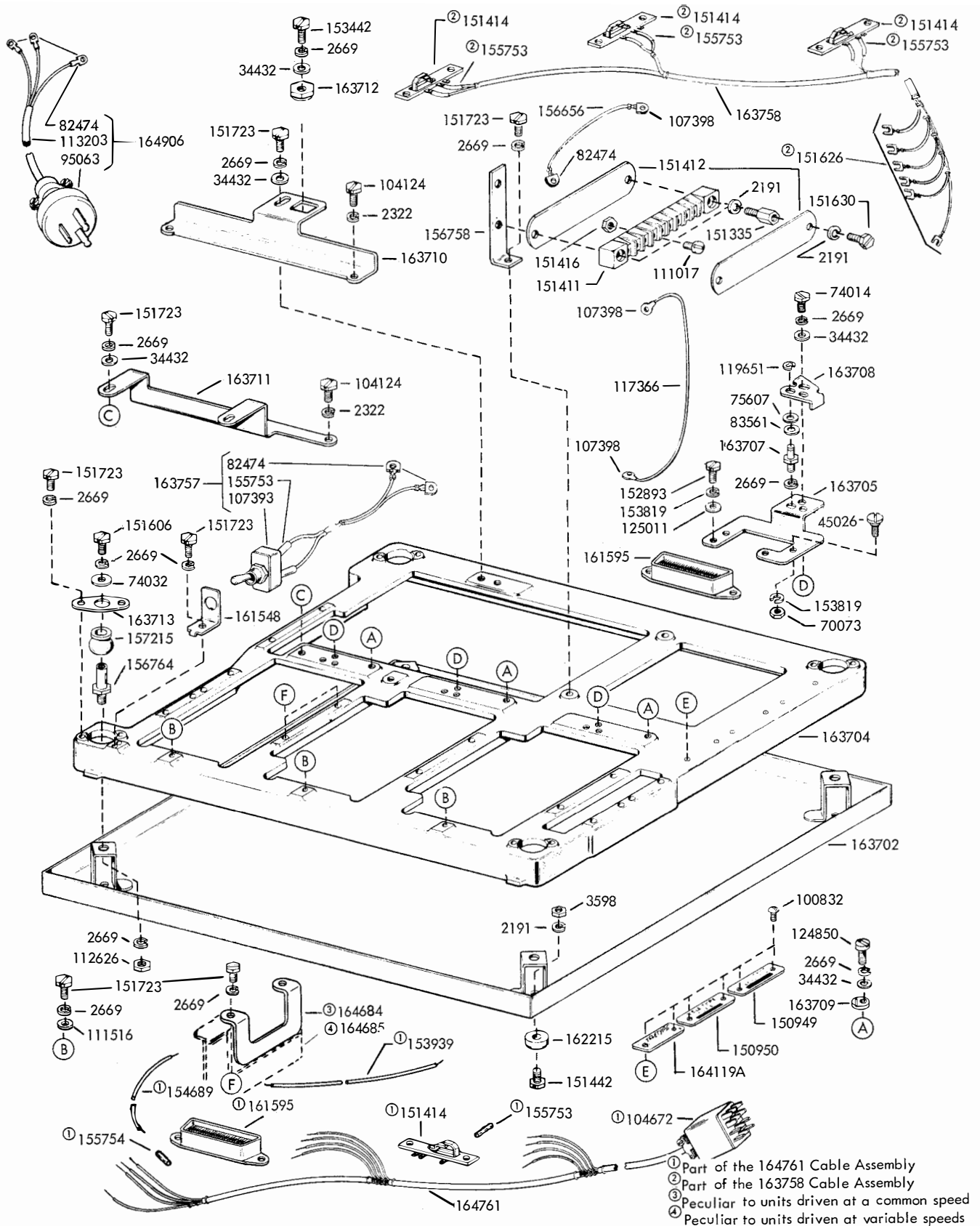
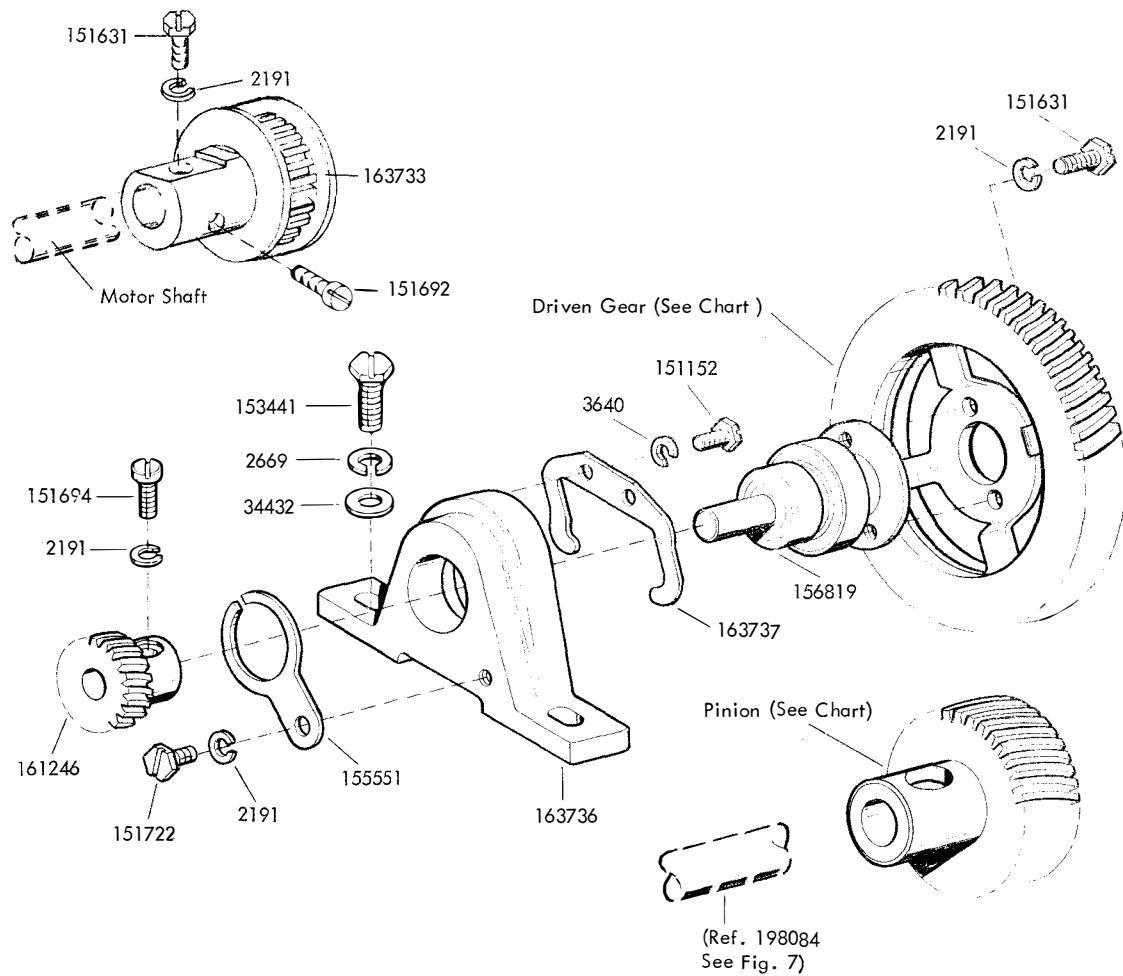


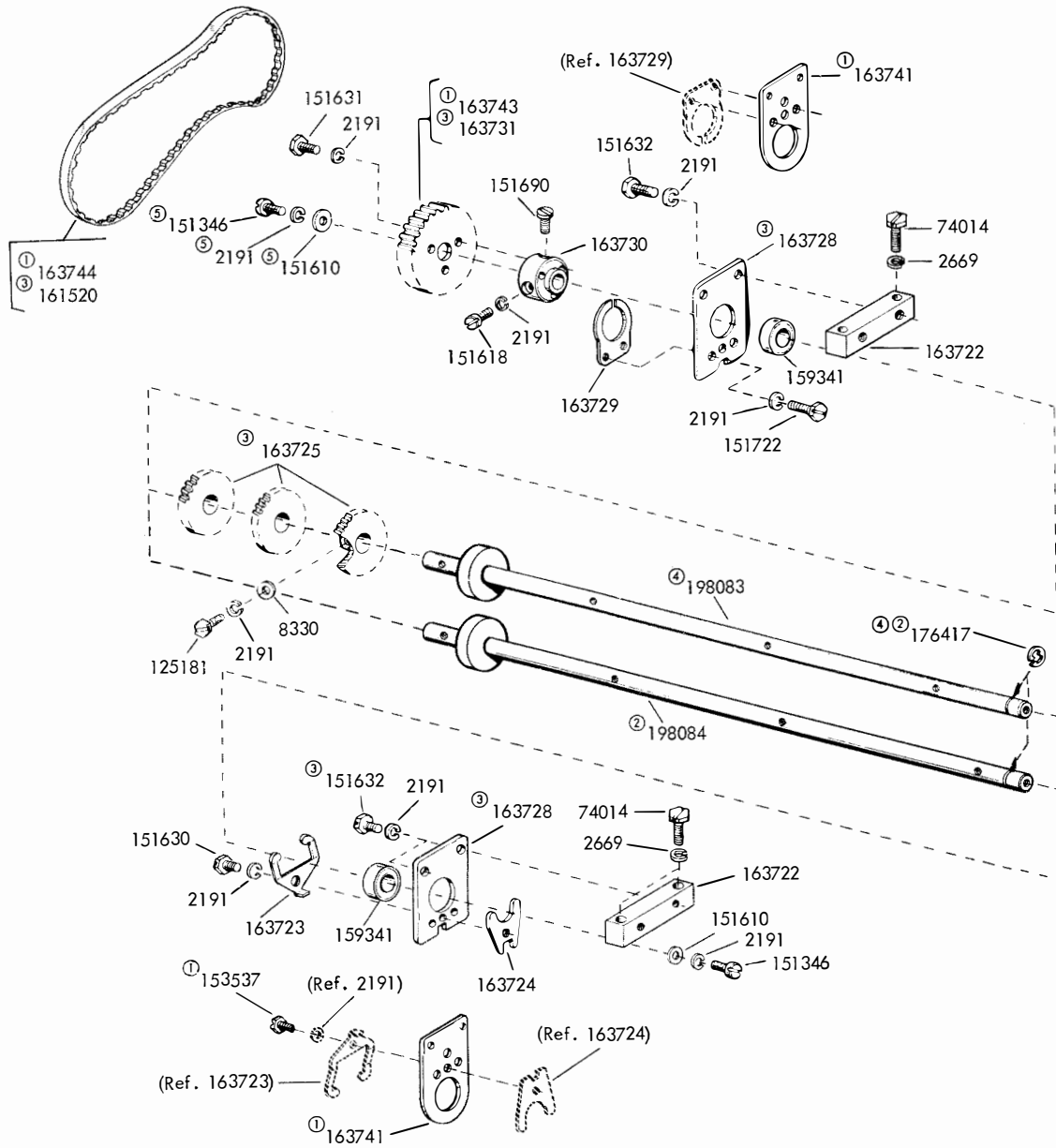
FIGURE 4. MULTIPLE MOUNTING BASE





Gear Chart for Multiple Mounted Units Driven at Independent Speeds					
Speed	Set Number	Pinion	Driven Gear	Unit Code	Baud
60 WPM	173098	173100 (45T)	173099 (110T)	7.42	45.45
67 WPM	174346	174347 (44T)	174348 (98T)	7.42	50
75 WPM	173101	173103 (48T)	173102 (94T)	7.42	56.9
100 WPM	173104	173106 (56T)	173105 (84T)	7.42	74.2

FIGURE 6. DRIVE MECHANISM FOR MULTIPLE MOUNTED UNITS DRIVEN AT INDEPENDENT SPEEDS



- ① Peculiar to units driven at independent speeds
- ② 198090 Modification kit to provide shaft w/bearing for units driven at independent speeds (Specification 50234S)
- ③ Peculiar to units driven at a common speed
- ④ 198088 Modification kit to provide shaft w/bearing for units driven at a common speed (Specification 50234S)
- ⑤ No longer required

FIGURE 7. SHAFT MECHANISM FOR MULTIPLE MOUNTED UNITS



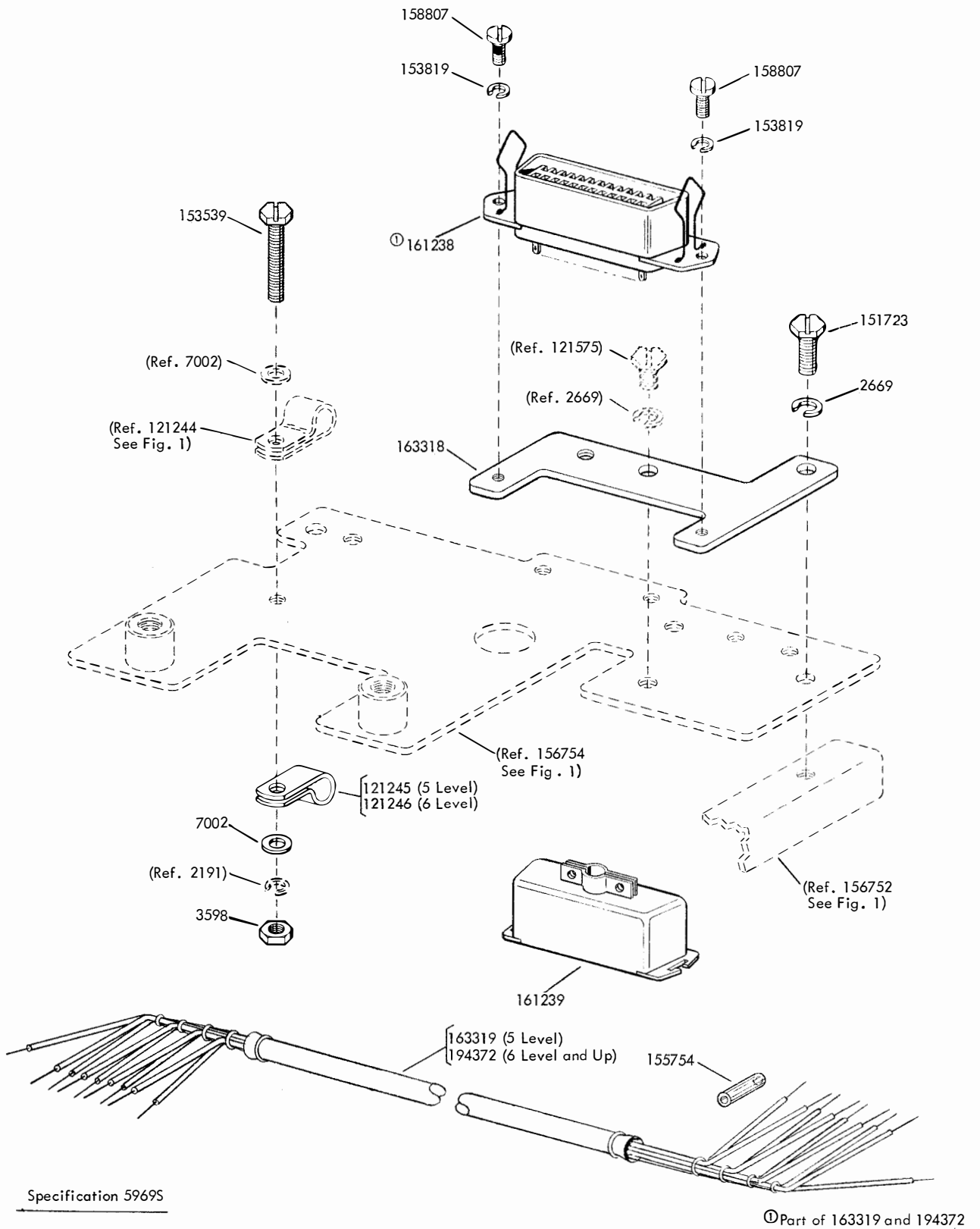


FIGURE 8. 163317 (5 LEVEL) AND 194339 (6 LEVEL AND UP) MODIFICATION KITS TO PROVIDE MULTIPLE WIRE OUTPUT FOR THE TRANSMITTER DISTRIBUTOR BASE (LXDB)

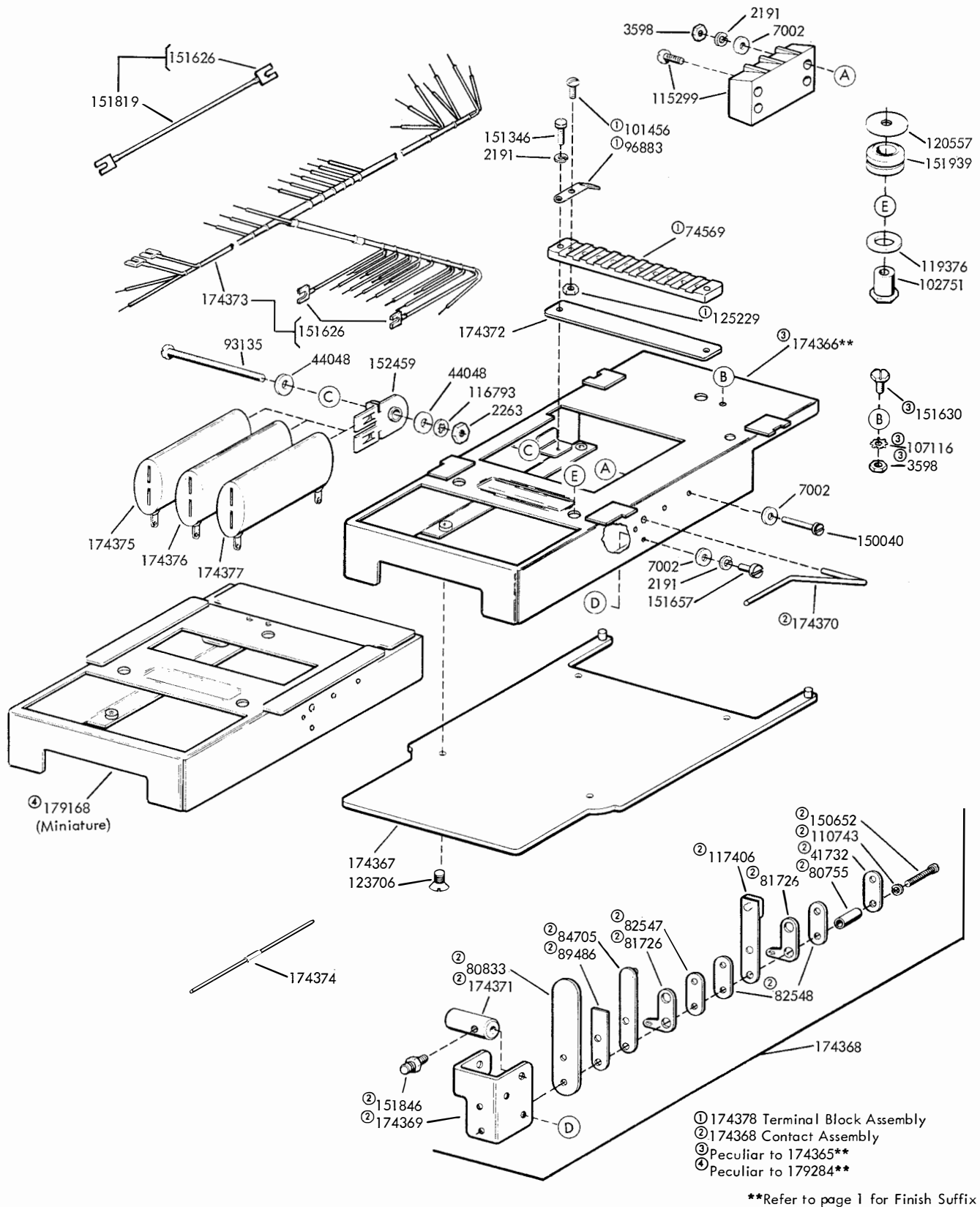


FIGURE 9. 174365\*\* AND 179284\*\* (MINIATURE) MODIFICATION KITS TO ADAPT A TRANSMITTER DISTRIBUTOR BASE AS A REPLACEMENT FOR A MODEL 14 TRANSMITTER DISTRIBUTOR

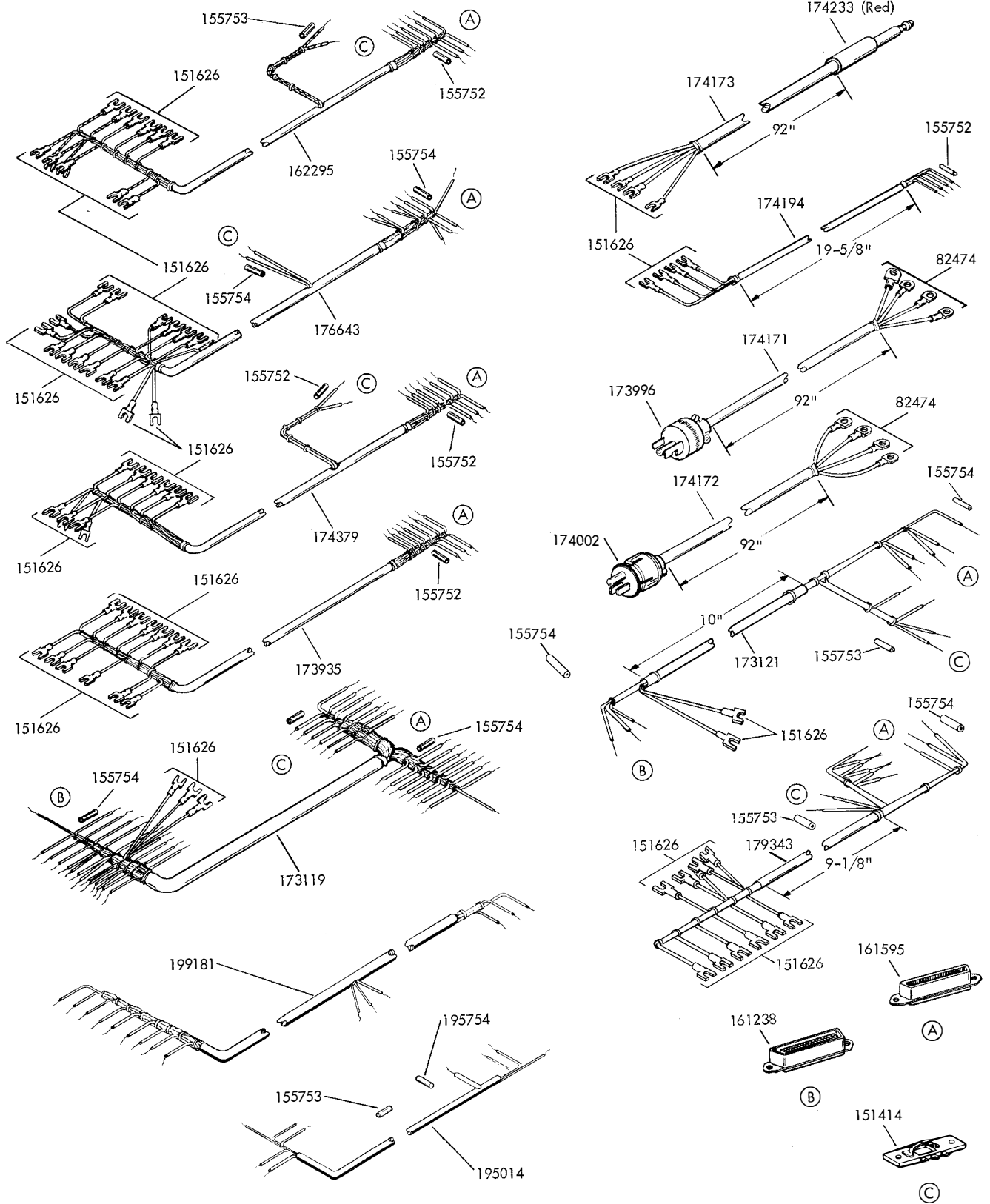


FIGURE 10. CABLE ASSEMBLIES

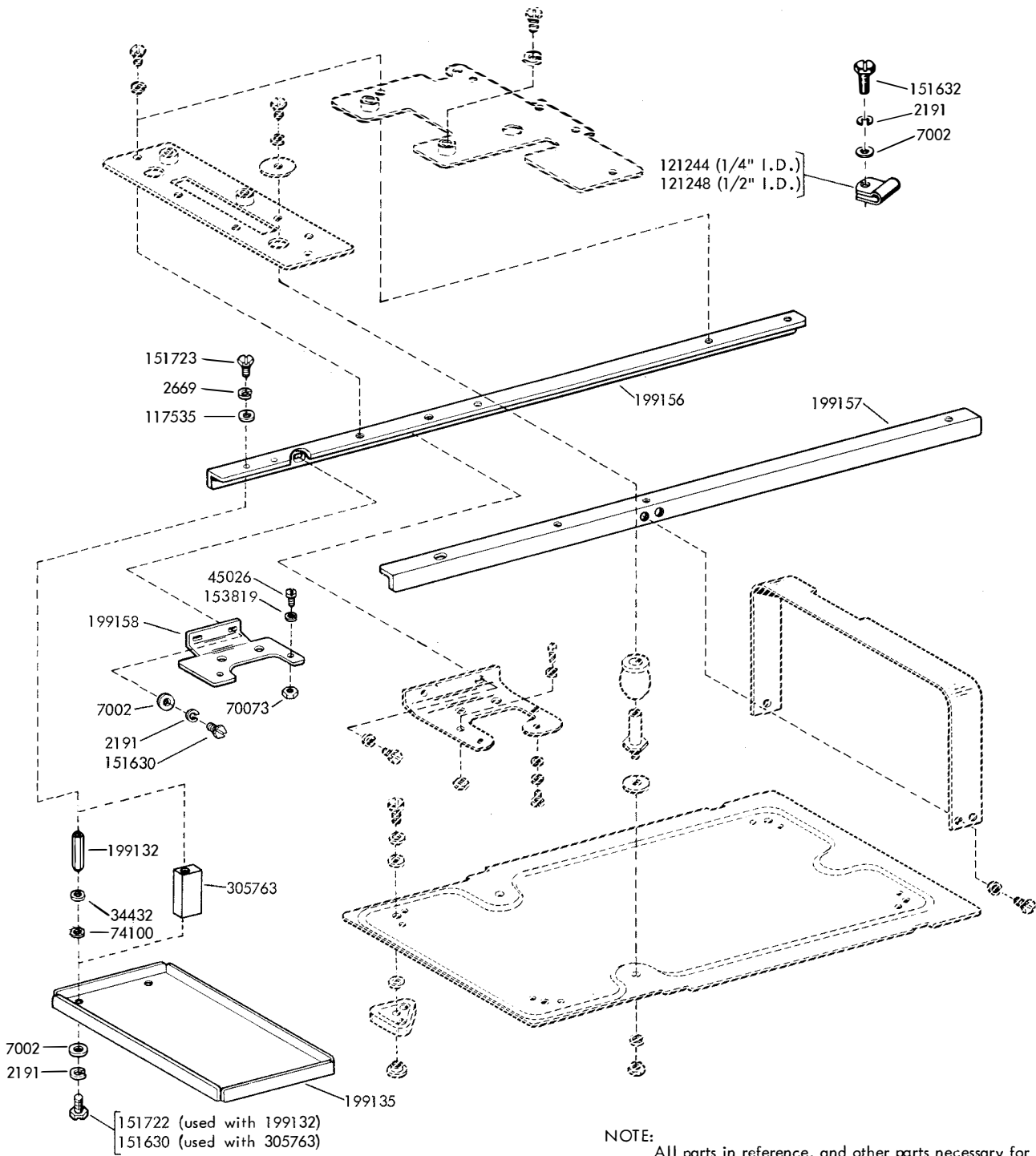


FIGURE 11. PAN, BRACKET AND BARS TO MOUNT MECHANICALLY COUPLED DUAL TRANSMITTER DISTRIBUTOR

## NUMERICAL INDEX

Part Number	Description and Page Number	Part Number	Description and Page Number	Part Number	Description and Page Number
2191	Washer, Lock 2 to 8, 10, 12	117406	Spring, Contact 10	155750	Sleeve, Insulating (3/32 ID x 1/2" Lg) 3
2263	Nut (8-32 Hex) 10	117535	Washer, Flat 2, 3, 12	155752	Sleeve, Insulating (5/64 ID x 1/2" Lg) 11
2322	Washer, Lock 2, 5	117878	Jumper (3" Black) 4	155753	Sleeve, Insulating (1/8 ID x 1/2" Lg) 3, 5, 11
2669	Washer, Lock 2 to 9, 12	119376	Washer, Flat 10	155754	Sleeve, Insulating (1/16 ID x 1/2" Lg) 3, 5, 9, 11
3438	Washer, Flat 2, 3	119634**	Button, Plug 4	156501	Screw (6-40 x 7/32 Fil) 2, 4
3598	Nut (6-40 Hex) 5, 9, 10	119651	Ring, Retaining 5	156626	Gear (88 T) 6
3606	Nut (6-40 Hex) 3	120175	Plate (ON-OFF) 2, 3, 4	156627	Pinion (18 T) 6
3640	Washer, Lock 7	120206	Socket, Lamp 4	156628	Gear (72 T) 6
3646	Washer, Lock 4	120557	Washer, Flat 2, 3, 10	156629	Pinion (24 T) 6
4851	Terminal 4	121244	Clamp, Cable (1/4" ID) 2, 12	156656	Jumper (2-3/4" Black) 2 to 5
5599	Nut (8-32 Hex) 4	121245	Clamp, Cable (5/16" ID) 9	156658	Gear Set (60 WPM) 6
7002	Washer, Flat 2, 3, 9, 10, 12	121246	Clamp, Cable (3/8" ID) 2, 9	156659	Gear Set (100 WPM) 6
8330	Washer, Flat 8	121248	Clamp, Cable (1/2" ID) 12	156725	Pinion (24 T) 6
34432	Washer, Flat 5, 6, 7, 12	123706	Screw (10-32 x 1/4" Flat) 10	156726	Gear (94 T) 6
41732	Plate, Clamp 10	124396	Switch Assembly 2, 3	156728	Gear Set (75 WPM) 6
42827	Screw (3-48 x 1/4 Fil) 2	124850	Screw (10-32 x 15/32 Fil) 5	156751	Plate, Base 2
44048	Washer, Flat 2, 3, 4, 10	125011	Washer, Flat 2, 3, 5	156752	Bar 2
45026	Screw, Shoulder (3-48) 2, 3, 5, 12	125170	Screw (8-32 x 5/16 Fil) 4	156753	Bar 2
55219	Screw (8-32 x 3/8 Fil) 2, 3	125181	Screw (2-56 x 3/8 Fil) 8	156754	Plate w/Spacers 2
61085	Washer, Lock 4	125229	Nut (6-32 Hex) 10	156755	Plate w/Spacers 2
70073	Nut (3-48 Hex) 2, 3, 5, 12	136148	Modification Kit to Replace Old Style Foot 2, 3	156756	Guard 2
74014	Screw (10-32 x 3/4 Hex) 5, 8	142665	Nut (8-32 Spl) 2, 3	156757	Bracket, Switch 2, 3
74032	Washer, Flat 2, 3, 5	148451	Cable Assembly 3	156758	Bracket 2, 3, 5
74100	Washer, Leather 2, 3, 4, 12	150040	Screw (6-40 x 5/8 Fil) 10	156764	Stud 2, 3, 5
74569	Block, Terminal 10	150652	Screw (4-40 x 37/64 Fil) 10	156805	Retainer, Pinion 6
75607	Washer, Flat 5	150949	Plate, Serial 5	156806	Post 6
80755	Bushing, Insulating 10	150950	Plate, Code 5	156807	Disk 6
80833	Guard, Contact Spring 10	151152	Screw (4-40 x 3/16 Hex) 7	156808	Disk 6
81726	Terminal 10	151335	Stud 2, 3, 5	156819	Shaft w/Bearings 6, 7
82474	Terminal 2 to 5, 11	151346	Screw (6-40 x 3/8 Fil) 8, 10	156821	Housing w/Bearings 6
82547	Insulator (.094") 10	151411	Block, Terminal 2, 3, 5	157215	Mount, Vibration 2, 3, 5
82548	Insulator (.062") 10	151412	Insulator (1-9) 2, 3, 5	158788	Clamp, Bearing 6
83561	Washer, Spring 5	151414	Switch, Sensitive 3, 5, 11	158807	Screw (3-48 x 11/64 Fil) 9
84551	Jumper (5-1/4" Black) 2, 4	151416	Nut (6-40 Hex) 2, 3, 5	159341	Bearing, Ball 8
84705	Spring, Contact 10	151442	Screw (6-40 x 1/2 Hex) 5	161238	Connector, Receptacle (36 Pt) 9, 11
89486	Stiffener 10	151606	Screw (10-32 x 1/4 Hex) 2 to 5	161239	Connector, Plug (36 Pt) 2, 4, 9
89822	Jumper (3-11/16" Black) 4	151610	Washer, Flat 8	161246	Pinion (20 T) 6, 7
91683	Nut (15/32-32 Hex) 2, 3, 4	151618	Screw (6-40 x 7/16 Fil) 8	161351	Gear (49 T) 6
91684	Nut (15/32-32 Ring) 2, 3	151626	Terminal 3, 5, 11	161352	Pinion (11 T) 6
93135	Screw (8-32 x 1-3/4 Fil) 10	151630	Screw (6-40 x 1/4 Hex) 2, 3, 5, 8, 10, 12	161353	Gear (63 T) 6
95063	Connector, Plug (3 Pt) 5	151631	Screw (6-40 x 5/16 Hex) 6, 7, 8	161354	Pinion (15 T) 6
96883	Terminal 10	151632	Screw (6-40 x 3/8 Hex) 2, 8, 12	161358	Gear Set (67 WPM) 6
98726	Screw (3-48 x 1/4 Fil) 4	151657	Screw (6-40 x 1/4 Fil) 3, 10	161359	Gear Set (71 WPM) 6
99381	Foot, Rubber 2, 3	151658	Screw (6-40 x 5/16 Fil) 3	161520	Belt, Toothed (64 T) 8
100832	Screw, Drive (#0 x 3/16) 5	151690	Screw (10-32 x 5/16 Fil) 8	161548	Bracket, Switch 5
101456	Screw (6-32 x 9/32 Rd) 10	151692	Screw (6-40 x 3/16 Fil) 7	161595	Connector, Receptacle (36 Pt) 2, 3, 5, 11
102751	Nut (10-32 Hex) 10	151694	Screw (6-40 x 11/32 Fil) 6, 7	162198	Cable Assembly 3
104124	Screw (1/4-32 x 11/32 Hex) 2, 5	151722	Screw (6-40 x 3/16 Hex) 6, 7, 8, 12	162199	Latch 3
104672	Connector, Plug (12 Pt) 5	151723	Screw (10-32 x 3/8 Hex) 2, 5, 9, 12	162201	Guard 3
107116	Washer, Lock 10	151819	Jumper (3" Black) 10	162202	Bar, Right 3
107393	Switch, Toggle (SP-ST) 5	151827	Strap, Terminal 2, 3	162203	Bar, Left 3
107398	Terminal 2 to 5	151846	Post, Spring 10	162204	Plate, Front 3
110743	Washer, Lock 2, 3, 10	151939	Grommet, Rubber 10	162205	Plate, Rear 3
111017	Screw (6-40 x 5/16 Fil) 2, 3, 5	152459	Bracket, Mounting 10	162206	Plate, Base 3
111516	Washer, Flat 5	152893	Screw (4-40 x 1/4 Hex) 2, 3, 5	162215	Hub 5
112080	Washer, Flat 3	153441	Screw (10-32 x 7/16 Hex) 3, 6, 7	162291	Bracket, Connector Mounting 2, 3
112626	Nut (10-32 Hex) 2, 3, 5	153442	Screw (10-32 x 1/2 Hex) 5	162295	Cable Assembly 2, 11
113203	Cord 5	153537	Screw (6-40 x 9/32 Hex) 8	162463	Modification Kit 2
114466	Connector, Receptacle (2 Pt) 2, 4	153539	Screw (6-40 x 11/16 Hex) 9	163317	Modification Kit 9
114467	Connector, Plug (2 Pt) 2, 4	153819	Washer, Lock 2, 3, 5, 9, 12	163318	Plate, Connector 9
114478	Nut (15/32-32 Hex) 2, 4	153939	Jumper (4" Black) 5		
115299	Block, Terminal 10	154689	Jumper (3" Black) 5		
116499	Switch, Toggle 2, 4	155551	Clamp, Bearing 6, 7		
116669	Lens (Red) 4				
116699	Lamp, Neon (1/25 Watt) 4				
116793	Washer, Lock 10				
117366	Jumper (8-1/2" Green) 5				

\*\*Refer to page 1 for Finish Suffix

## NUMERICAL INDEX (Continued)

Part Number	Description and Page Number	Part Number	Description and Page Number	Part Number	Description and Page Number
163319	Cable Assembly 9	173427	Gear Set (120 WPM) 6	194350	Gear (104 T) 6
163702	Pan w/Brackets 5	173595	Gear Set (107 WPM) 6	194351	Gear (56 T) 6
163704	Base 5	173596	Gear (84 T) 6	194352	Pinion (17 T) 6
163705	Bracket, Connector 5	173597	Pinion (30 T) 6	194353	Gear Set (60 WPM) 6
163707	Post 5	173598	Gear Set (65 WPM) 6	194355	Pinion (15 T) 6
163708	Clamp 5	173599	Pinion (120 T) 6	194372	Cable Assembly 9
163709	Bushing, Eccentric 5	173600	Pinion (26 T) 6	194879	Plate 3
163710	Plate, Adjusting 5	173935	Cable Assembly 11	194941	Plate, Cover 2
163711	Plate, Mounting 5	173974	Screw (10-32 x 5/16 Hex) 2, 3	195012	Bracket 2
163712	Eccentric 5	173996	Connector, Plug (3 Pt) 11	195013	Plate 2
163713	Plate 5	174002	Connector, Plug (3 Pt) 11	195014	Cable Assembly 11
163716	Pulley, Toothed (14 T) 6	174171	Cable Assembly 11	195429	Pinion (20 T) 6
163722	Bar, Mounting Plate 8	174172	Cable Assembly 11	195430	Gear (72 T) 6
163723	Clamp 8	174173	Cable Assembly 11	197616	Pinion (31 T) 6
163724	Plate 8	174194	Cable w/Terminal 11	197617	Gear (92 T) 6
163725	Gear (40 T) 8	174233	Plug, Red 11	197618	Gear Set (101 WPM) 6
163728	Plate, Bearing Mounting 8	174346	Gear Set (67 WPM) 7	197695	Gear (78 T) 6
163729	Clamp, Bearing 8	174347	Pinion (44 T) 7	197696	Pinion (21 T) 6
163730	Hub 8	174348	Gear (98 T) 7	197697	Gear Set (67 WPM) 6
163731	Pulley, Toothed (28 T) 8	174365**	Modification Kit 10	198083	Shaft w/Bearing 8
163733	Pulley, Toothed (16 T) 7	174366**	Base 10	198084	Shaft w/Bearing 8
163736	Housing, Bearing 7	174367	Plate, Base 10	198088	Modification Kit 8
163737	Clamp, Bearing 7	174368	Contact Assembly 10	198090	Modification Kit 8
163741	Plate, Bearing Mounting 8	174369	Bracket 10	199132	Post 12
163743	Pulley, Toothed (32 T) 8	174370	Arm 10	199135	Pan, Oil 12
163744	Belt, Toothed (85 T) 8	174371	Collar 10	199156	Bar 12
163757	Cable Assembly 5	174372	Strip 10	199157	Bar 12
163758	Cable Assembly 5	174373	Cable w/Terminals 10	199158	Bracket, Connector Mounting 12
164119A	Plate, Identification 5	174374	Diode 10	199181	Cable Assembly 11
164684	Bracket 5	174375	Resistor (150 Ohm) 10	305528	Pinion (26 T) 6
164685	Bracket 5	174376	Resistor (300 Ohm) 10	305529	Pinion (28 T) 6
164761	Cable Assembly 5	174377	Resistor (1000 Ohm) 10	305530	Pinion (40 T) 6
164906	Cable Assembly 5	174378	Block Assembly, Terminal 10	305531	Gear (106 T) 6
165082	Clamp, Cable 3	174379	Cable Assembly 11	305532	Gear (104 T) 6
165083	Keeper, Clamp 3	176152	Gear Set (67 WPM) 6	305533	Gear (100 T) 6
170863	Mount, Vibration 3	176153	Gear (98 T) 6	305534	Gear Set (60 WPM) 6
173098	Gear Set (60 WPM) 7	176154	Pinion (22 T) 6	305535	Gear Set (67 WPM) 6
173099	Gear (110 T) 7	176417	Ring, Retaining 8	305536	Gear Set (100 WPM) 6
173100	Pinion (45 T) 7	176643	Cable Assembly 11	305763	Post 12
173101	Gear Set (75 WPM) 7	179168	Base 10	308177	Pinion (20 T) 6
173102	Gear (94 T) 7	179284**	Modification Kit 10	308178	Gear (102 T) 6
173103	Pinion (48 T) 7	179343	Cable Assembly 11	308179	Gear Set 6
173104	Gear Set (100 WPM) 7	192784	Pinion (25 T) 6	308180	Pinion (24 T) 6
173105	Gear (84 T) 7	192785	Gear (112 T) 6	308181	Gear (102 T) 6
173106	Pinion (56 T) 7	192786	Pinion (20 T) 6	308182	Gear Set 6
173119	Cable Assembly 11	192787	Gear (112 T) 6	308183	Pinion (24 T) 6
173121	Cable Assembly 11	193622	Gear Set (66 WPM) 6	308184	Gear (112 T) 6
173159	Pinion (32 T) 6	193665	Gear Set (53 WPM) 6	308185	Gear Set 6
173160	Gear (80 T) 6	194339	Modification Kit 9	308186	Pinion (19 T) 6
173162	Bracket 4	194348	Gear Set (100 WPM) 6	308187	Gear (71 T) 6
173397	Plate, Base 4	194349	Pinion (52 T) 6	308188	Gear Set 6

\*\*Refer to page 1 for Finish Suffix