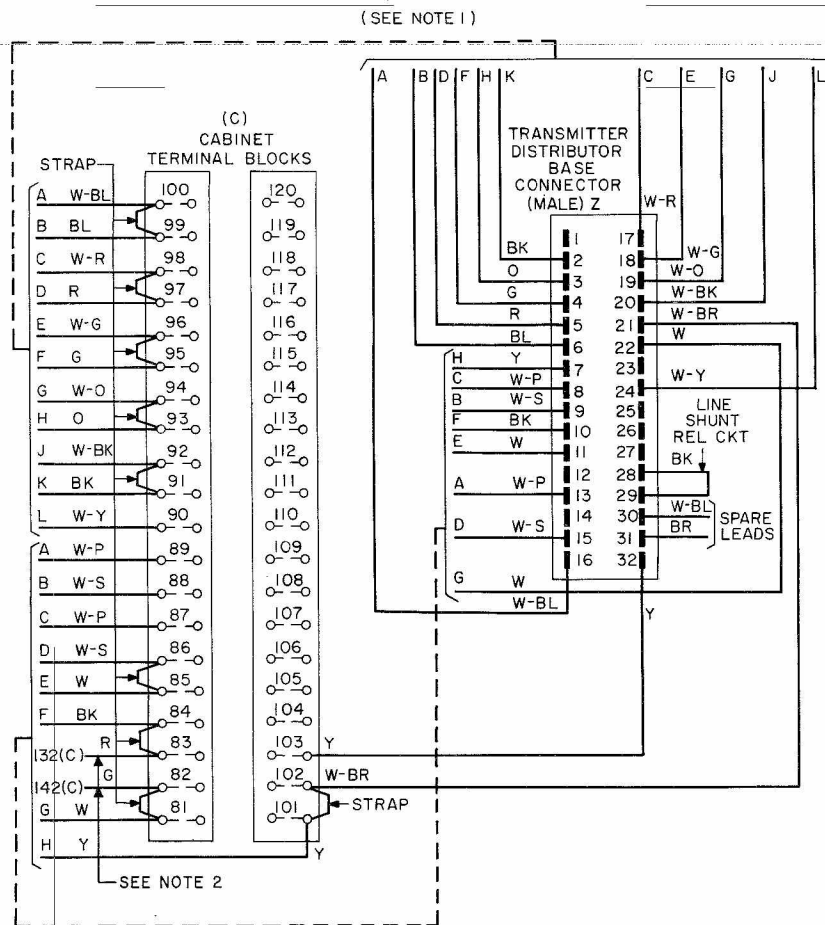


28 TRANSMITTER-DISTRIBUTOR HOUSING
WIRING DIAGRAM

1. GENERAL

1.01 This section shows the wiring of the 28F and 28G transmitter-distributor housings for use with the 28 automatic send-receive set.



NOTES:

1. THE TRANSMITTER DISTRIBUTOR HOUSING SET OF PARTS IS USED WITH BOTH THE 28F AND 28G TRANSMITTER DISTRIBUTOR BASES WHEN USED WITH THE ASR CABINET.
2. DC SUPPLY FOR USE WITH 28F OR 28G TRANSMITTER DISTRIBUTOR UNIT.

Figure 1 - 28F and 28G Transmitter-Distributor Housing