

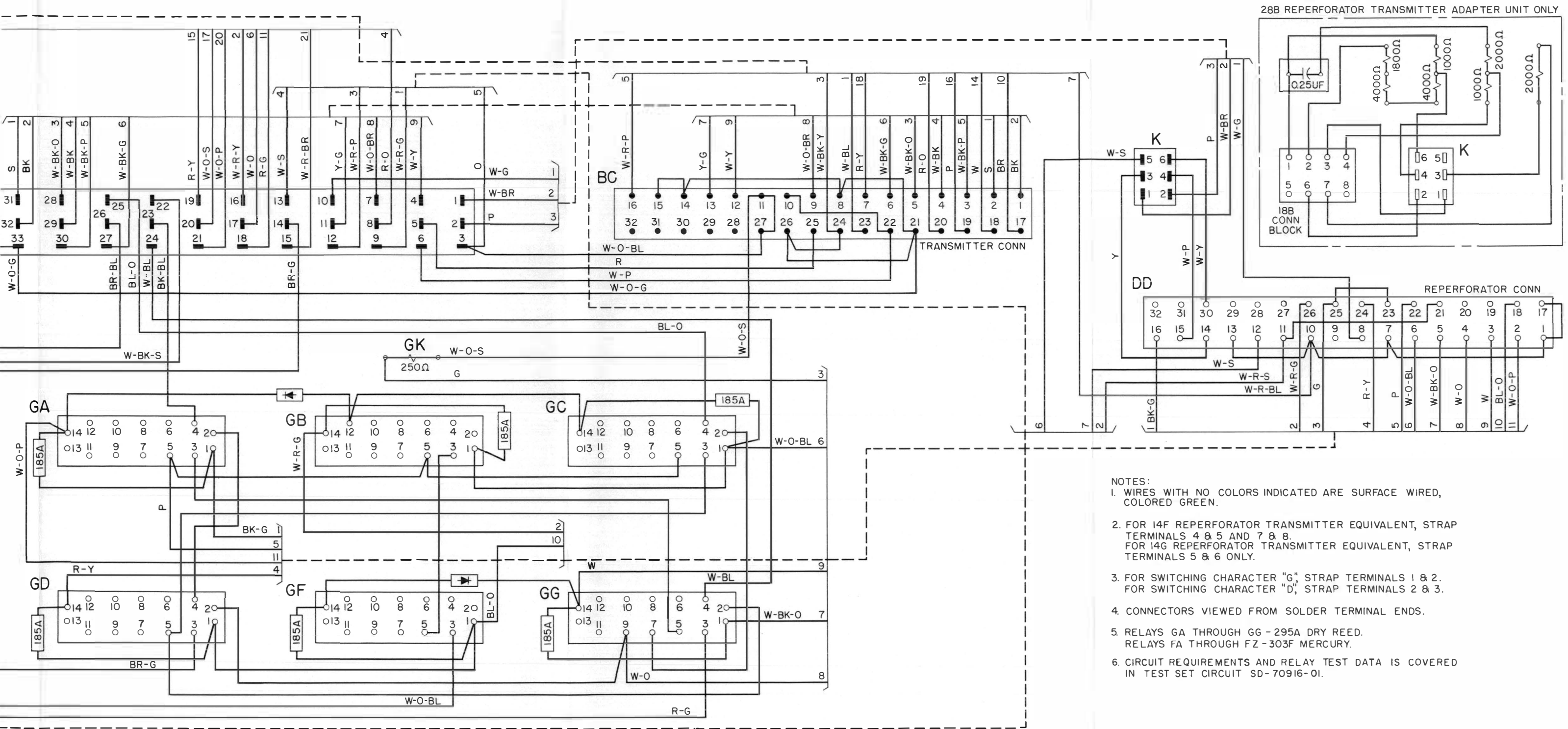
28A AND 28B REPERFORATOR-TRANSMITTER

ADAPTER UNIT

WIRING DIAGRAM

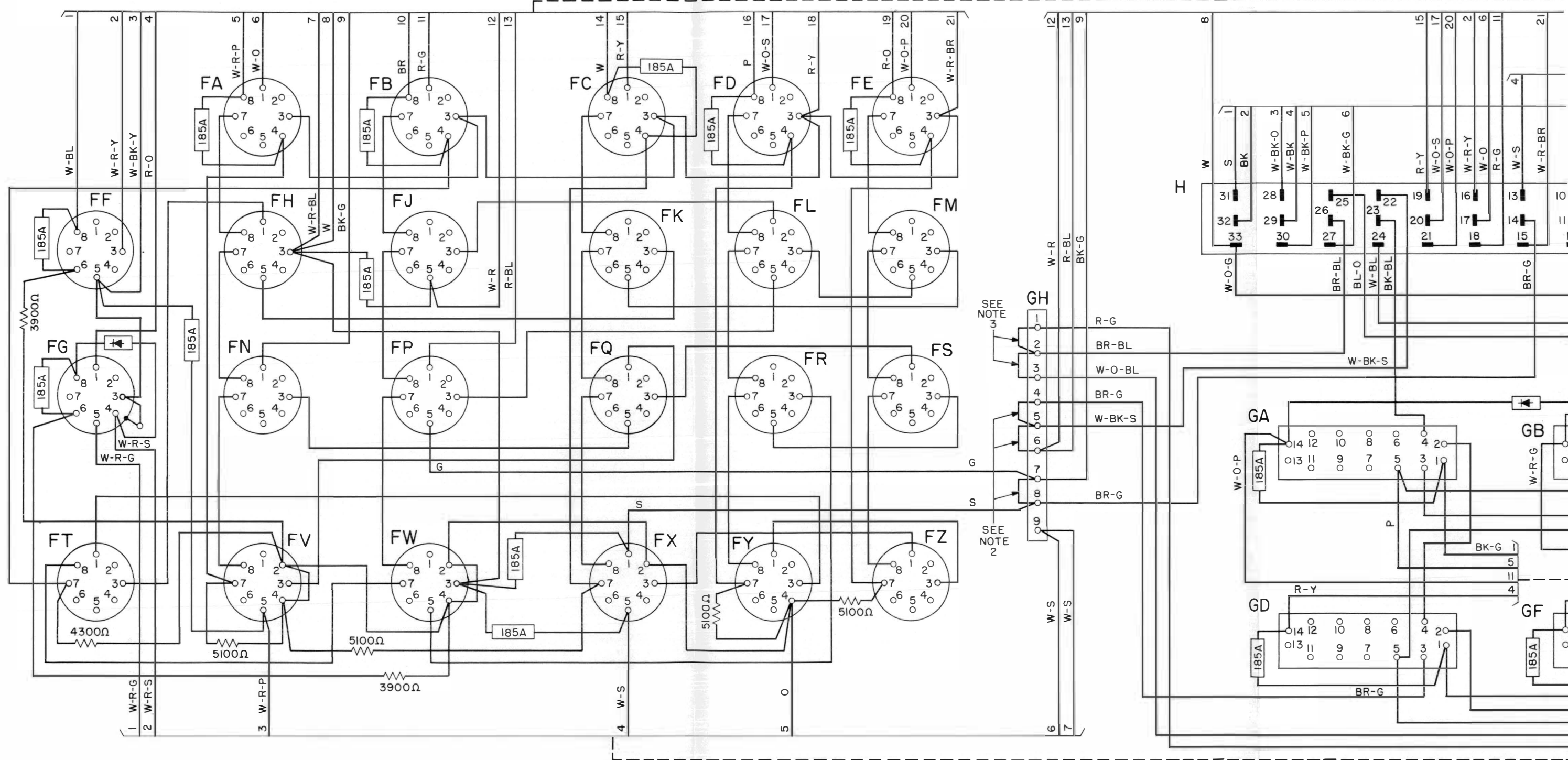
1. GENERAL

- 1.01 This section shows the wiring of the 28A and 28B reperforator-transmitter adapter unit.
- 1.02 This wiring diagram has been reissued to remove wire from FG3 to FW3 in the relay ground circuit, to change the reference of mercury relay in Note 5 to read "303F", and to add Note 6.



- NOTES:
1. WIRES WITH NO COLORS INDICATED ARE SURFACE WIRED, COLORED GREEN.
  2. FOR 14F REPERFORATOR TRANSMITTER EQUIVALENT, STRAP TERMINALS 4 & 5 AND 7 & 8. FOR 14G REPERFORATOR TRANSMITTER EQUIVALENT, STRAP TERMINALS 5 & 6 ONLY.
  3. FOR SWITCHING CHARACTER "G", STRAP TERMINALS 1 & 2. FOR SWITCHING CHARACTER "D", STRAP TERMINALS 2 & 3.
  4. CONNECTORS VIEWED FROM SOLDER TERMINAL ENDS.
  5. RELAYS GA THROUGH GG - 295A DRY REED. RELAYS FA THROUGH FZ - 303F MERCURY.
  6. CIRCUIT REQUIREMENTS AND RELAY TEST DATA IS COVERED IN TEST SET CIRCUIT SD-70916-01.

Figure 1 - 28A and 28B Reperforator-Transmitter Adapter Unit



1 W-BL  
2 W-R-Y  
3 W-BK-Y  
4 R-O

5 W-R-P  
6 W-O  
7  
8  
9

10 BR  
11 R-G  
12  
13

14 W  
15 R-Y  
16 P  
17 W-O-S  
18 R-Y

19 R-O  
20 W-O-P  
21 W-R-BR

1  
2  
3  
4

5  
6  
7  
8  
9

10  
11  
12  
13

14  
15  
16  
17  
18

19  
20  
21

1  
2  
3  
4  
5  
6  
7  
8  
9  
10  
11  
12  
13  
14  
15  
16  
17  
18  
19  
20  
21

1  
2  
3  
4  
5  
6  
7  
8  
9  
10  
11  
12  
13  
14  
15  
16  
17  
18  
19  
20  
21

1  
2  
3  
4  
5  
6  
7  
8  
9  
10  
11  
12  
13  
14  
15  
16  
17  
18  
19  
20  
21

1  
2  
3  
4  
5  
6  
7  
8  
9  
10  
11  
12  
13  
14  
15  
16  
17  
18  
19  
20  
21

1  
2  
3  
4  
5  
6  
7  
8  
9  
10  
11  
12  
13  
14  
15  
16  
17  
18  
19  
20  
21

1  
2  
3  
4  
5  
6  
7  
8  
9  
10  
11  
12  
13  
14  
15  
16  
17  
18  
19  
20  
21

1  
2  
3  
4  
5  
6  
7  
8  
9  
10  
11  
12  
13  
14  
15  
16  
17  
18  
19  
20  
21

1  
2  
3  
4  
5  
6  
7  
8  
9  
10  
11  
12  
13  
14  
15  
16  
17  
18  
19  
20  
21

1  
2  
3  
4  
5  
6  
7  
8  
9  
10  
11  
12  
13  
14  
15  
16  
17  
18  
19  
20  
21

1  
2  
3  
4  
5  
6  
7  
8  
9  
10  
11  
12  
13  
14  
15  
16  
17  
18  
19  
20  
21

SEE NOTE 3  
1  
2  
3  
4  
5  
6  
7  
8  
9  
SEE NOTE 2  
W-S  
W-S

