

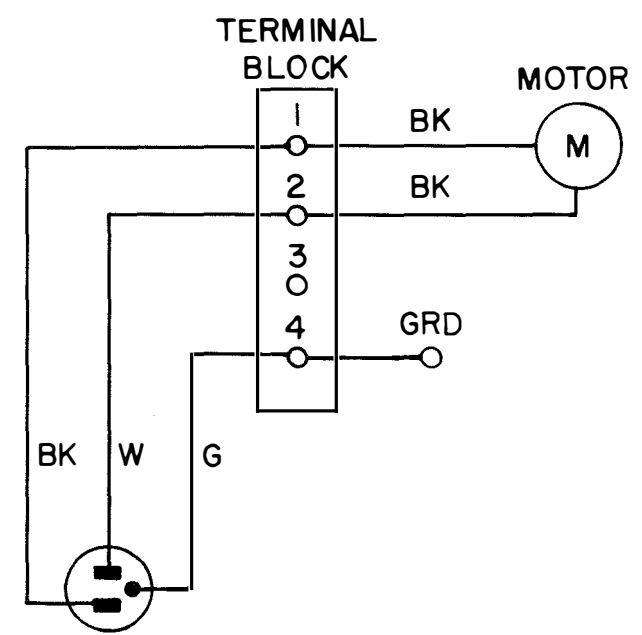
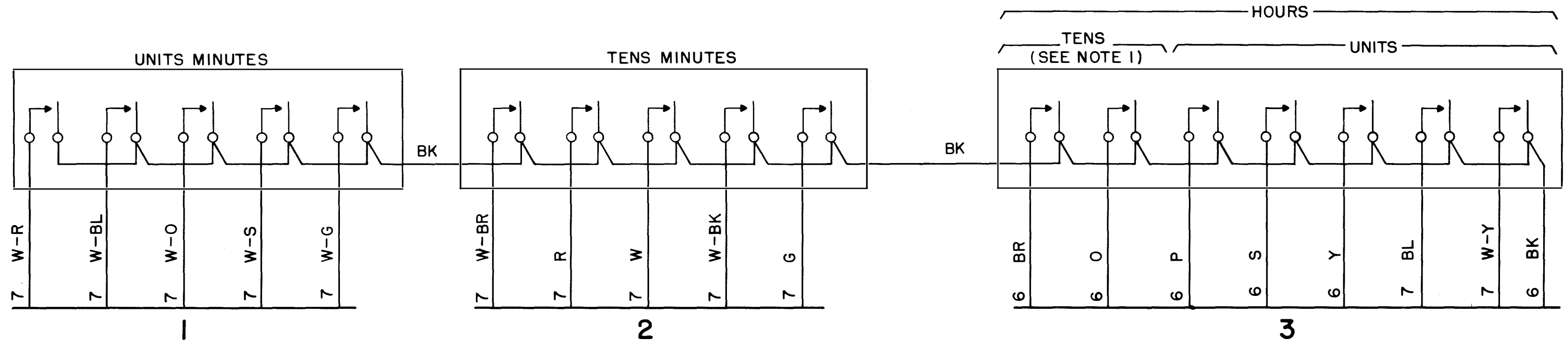
1LA AND 1LB TIMER

WIRING DIAGRAM

1. GENERAL

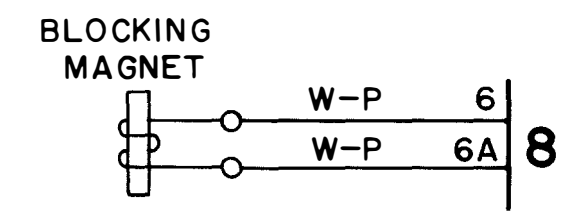
1.01 This section shows the wiring of the 1LA and 1LB timer.





**CONNECTOR**

3	Y	13	1	W-G	1
3	S	14	2	W-S	1
3	P	15	3	W-O	1
3	O	16	4	W-BL	1
3	BR	17	5	W-R	1
8	W-P	18	6	G	2
8A	W-P	19	7	W-BK	2
3	BK	20	8	W	2
		21	9	R	2
		22	10	W-BR	2
		23	11	W-Y	3
		24	12	BL	3



NOTES:  
 I. CODE LEVELS 1 AND 3 REQUIRED FOR TENS OF HOURS.

Figure 1 - 1LA and 1LB Timer