

NAVELEX 0967-LP-625-5030

TECHNICAL MANUAL
OPERATION AND MAINTENANCE INSTRUCTIONS
WITH PARTS LIST

VOLUME 3

TELETYPEWRITER SET
AUTOMATIC SEND-RECEIVE
MODEL 28

Manufactured by
Teletype Corporation

Manual Prepared by
Western Technical Associates
N00039-76-C-0153

This publication supercedes NAVSHIPS 0967-LP-173-6010, 6020, 6030, 6040, 6050
dated February 1973.

Portions of this Technical Manual were extracted, and either reproduced
or reformatted, from material in copyrighted Teletype Corporation bulletins
and reprinted by permission of Teletype Corporation.

Each transmittal of this document outside of the Department of Defense
must have approval of the issuing Service

Published by direction of Commander, Naval Electronic Systems Command

LIST OF EFFECTIVE PAGES

INSERT LATEST CHANGED PAGES. DESTROY
SUPERCEDED PAGES.

NOTE: The portion of the text affected by the changes is indicated by a vertical line in the outer margins of the page. Changes to illustrations are indicated by miniature pointing hands. Changes to wiring diagrams are indicated by shaded areas.

Dates of issue for original and changed pages are:

Original ... 0 ... 15 Jan 1979

TOTAL NUMBER OF PAGES IN THIS PUBLICATION IS 680, CONSISTING OF THE FOLLOWING:

Page No.	*Change No.	Page No.	*Change No.
Title	0		
A	0		
i - xxii	0		
7-1 - 7-571	0		
7-572 Blank	0		
7-573	0		
7-574 Blank	0		
7-575 - 7-619	0		
7-620 Blank	0		
8-1 - 8-27	0		
8-28 Blank	0		

*Zero in this column indicates an original page.

VALIDATION PERFORMANCE

Title of Publication

Automatic Send-Receive (ASR) Teletypewriter Sets, Volume 3

Contractor:

Subcontractor (if performing validation):

WESTERN TECHNICAL ASSOCIATES

Contract No.(s) and Purchase Orders, if applicable

Contract No. 00039-76-C-0153

Chapter	Section	Paragraph	Date Validation Completed	Check here if not validated
7		7-1 - 7-5	1/15/79	
8		8-1 - 8-3.2	1/15/79	

Name & Authority of Validating Officer:

Signature of Validating Officer:

Kenneth S. Brown
Publications Manager

Kenneth S. Brown

RECORD OF CHANGES

CHANGE NO.	DATE	TITLE OR BRIEF DESCRIPTION	ENTERED BY

TABLE OF CONTENTS

Chapter	Title	Page
7	PARTS LIST	
7-1.	SCOPE.....	7-1
7-2.	MAINTENANCE PARTS LIST.....	7-1
7-3.	LIST OF MANUFACTURERS.....	7-1
7-4.	PARTS LOCATION DIAGRAMS.....	7-1
7-5.	LIST OF ABBREVIATIONS.....	7-1
8	INSTALLATION	
8-1.	INTRODUCTION.....	8-1
8-2.	ASR SET COMPONENTS.....	8-1
8-3.	INSTALLATION PROCEDURES.....	8-1
8-3.1	INSTALLATION PROCEDURES (HIGH-LEVEL).....	8-1
a.	Unpacking.....	8-1
b.	Cabinet Assembly Installation.....	8-1
c.	Cabinet Assembly Electrical Connections.....	8-4
d.	Installation of Separately Ordered Accessories.....	8-5
e.	Electrical Service Unit Installation...8-5	
f.	Keyboard, Perforator-Transmitter, Motor Unit, and Typing Unit, and Typing Unit Installation.....	8-6
(1)	Initial Assembly Before Installation in Cabinet.....	8-6
(2)	Adjustments Before Installation...8-8	
(a)	Typing Unit to Signal Generator.....	8-8
(b)	Typing Unit Intermediate Driving Gear to Typing Unit Main Shaft Gear.....	8-8
(c)	Motor Pinion to Intermediate Driven Gear.....	8-8

TABLE OF CONTENTS - Continued

Chapter	Title	Page
	(3) Installation of Units in Cabinet..	8-8
g.	TD Unit (LXD) and Base (LCXB) Installation.....	8-9
h.	TD Unit Combinations (Dual LXD) and Base LCXB Installation.....	8-12
i.	Auxiliary Typing Reperator Unit (LPR), Base (LRB) and Motor Unit (LMU).....	8-13
j.	Miscellaneous Instructions.....	8-18
8-3.2	INSTALLATION PROCEDURES (LOW-LEVEL).....	8-20
8-4.	INSTALLATION CHECKOUT.....	8-23
a.	Reference Standards Test.....	8-23
b.	Procedures.....	8-23
c.	Performance Tests.....	8-25
d.	Checkout.....	8-25
	(1) Keyboard Position (K).....	8-25
	(2) Keyboard-Tape Position (K-T).....	8-26
	(3) Tape Position (T).....	8-26

LIST OF ILLUSTRATIONS

Figure	Title	Page
7-1.	Left and Right Side Frame Mechanism.....	7-324
7-2.	Pressure Roller Mechanism.....	7-325
7-3.	Space Suppression Mechanism.....	7-326
7-4.	Space Suppression Mechanism, Early Design.....	7-327
7-5.	Print Suppression Mechanism.....	7-327
7-6.	Page Feed-Out and Form Starter Mechanism.....	7-328
7-7.	Paper Spindle and Reset Bail Mechanism.....	7-329
7-8.	Paper Spindle and Reset Bail Mechanism, Early Design.....	7-330
7-9.	Reset Bail Mechanism, Early Design.....	7-330
7-10.	Sprocket Feed Mechanism.....	7-331
7-11.	Line-Feed and Platen Mechanism.....	7-332
7-12.	Left Side Linkage and Rocker Shaft Mechanism.....	7-333
7-13.	Left Side Linkage and Stripper Blade Mechanism, Early Design.....	7-334
7-14.	Right Side Linkage and Type Box Carriage Mechanism, Early Design.....	7-334
7-15.	Right Side Linkage and Type Box Carriage Mechanism.....	7-335
7-16.	Main Shaft Mechanism (Sheet 1 of 2).....	7-336
7-16.	Main Shaft Mechanism (Sheet 2 of 2).....	7-337
7-17.	Spacing, Line-Feed and Function Clutches, Early Designs.....	7-338
7-18.	Trip Shaft Mechanism.....	7-339
7-19.	Carriage Return and Spacing Drum Mechanism.....	7-340
7-20.	Front Plate Mechanism Typing Unit (Sheet 1 of 3) ..	7-341
7-20.	Front Plate Mechanism Typing Unit (Sheet 2 of 3) ..	7-342
7-20.	Front Plate Mechanism Typing Unit (Sheet 3 of 3) ..	7-343

LIST OF ILLUSTRATIONS - Continued

Figure	Title	Page
7-21.	Front Plate Mechanism, Early Design Parts.....	7-344
7-22.	Code Bar Positioning Mechanism.....	7-345
7-23.	Code Bar Positioning Mechanism, Early Design Parts.....	7-346
7-24.	Selector Mechanism.....	7-347
7-25.	Selector Knob Mechanism, Early Design.....	7-348
7-26.	Selector Magnet Mechanism, Early Design.....	7-348
7-27.	Selector Magnet Mechanism.....	7-349
7-28.	Selector Assemblies 319204 (parallel) and 319205 (Series), RFI Suppression Features for Low-Level Sets (Sheet 1 of 2).....	7-350
7-28.	Selector Assemblies 319204 (Parallel) and 319205 (Series), RFI Suppression Features for Low-Level Sets (Sheet 2 of 2).....	7-351
7-29.	Selector Mounting Parts 319200, RFI Suppression Features for Low-Level Sets.....	7-352
7-30.	Right Ribbon-Feed Mechanism.....	7-353
7-31.	Left Ribbon-Feed Mechanism.....	7-354
7-32.	Code Bar Mechanism.....	7-355
7-33.	Code Bar Mechanism, Early Design Parts.....	7-356
7-34.	Printing Carriage Assembly 150036.....	7-357
7-35.	Type Box Arrangements.....	7-358
7-36.	Stunt Box Major Components, Early Design.....	7-359
7-37.	Stunt Box Major Components.....	7-360
7-38.	Shift Mechanism Components.....	7-361
7-39.	Function Levers.....	7-362
7-40.	Switch Assemblies and Components.....	7-363
7-41.	Switch Assemblies and Components, Early Design Parts.....	7-364

LIST OF ILLUSTRATIONS - Continued

Figure	Title	Page
7-42.	Cable Assemblies.....	7-365
7-43.	Function Bars.....	7-366
7-44.	Fucntion Bar Condition Chart (Sheet 1 of 2).....	7-367
7-44.	Function Bar Condition Chart (Sheet 2 of 2).....	7-368
7-45.	Modification Kit 151799 to Provide Latches for Paper Spindle.....	7-369
7-46.	Modification Kit 152350 to Provide Keyboard Lock..	7-369
7-47.	Modification Kit 153919 to Provide Auxiliary Connector.....	7-370
7-48.	Sprocket Feed Paper Handling Modification Kits (Typing Unit and Cabinet).....	7-371
7-49.	Sprocket Feed Paper Handling Modification Kits....	7-372
7-50.	Modification Kit 163947 to Provide Improved Manual Platen Line-Feed.....	7-373
7-51.	Modification Kit 157514 to Provide Automatic Carriage Return and Line-Feed.....	7-373
7-52.	Modification Kits 305035, 305036 and 307065 to Provide Improved Manual Platen Line-Feed.....	7-374
7-53.	Keyboard Base Parts (Sheet 1 of 2).....	7-375
7-53.	Keyboard Base Parts (Sheet 2 of 2).....	7-376
7-54.	Intermediate Gear Assemblies 326727 and 326730....	7-377
7-55.	Intermediate Gear Assemblies 154224 and 164234, Early Design.....	7-378
7-56.	Intermediate Gear Assembly 144770 (Noise Reduction).....	7-378
7-57.	Bearing Bracket Mechanism, Early Design.....	7-379
7-58.	Bearing Bracket Assemblies 144749 and 305634.....	7-380
7-59.	Function Bail Mechanism.....	7-381
7-60.	Keylever Guideplates (Sheet 1 of 2).....	7-382

LIST OF ILLUSTRATIONS - Continued

Figure	Title	Page
7-60.	Keylever Guideplates (Sheet 2 of 2).....	7-383
7-61.	Keyboard Mechanism.....	7-384
7-62.	Keyboard Hood and Mounting Parts.....	7-385
7-63.	Code Bar Mechanism (5-Level).....	7-386
7-64.	Contact Assemblies.....	7-387
7-65.	Universal Bail Assemblies 154151 and 170332.....	7-388
7-66.	Lockbar Assemblies 154152 (5-Level), 170331 (6- and 8-Level) and 192550 (5-Level).....	7-388
7-67.	Signal Generator Frame Mechanism.....	7-389
7-68.	Signal Generator Shaft Assemblies.....	7-390
7-69.	Signal Generator Front Plate Mechanism.....	7-391
7-70.	Signal Generator Rear Plate Mechanism.....	7-392
7-71.	Contact Box Assemblies 154165 (with Arc Suppression), 154225 (with RF Suppression, Neutral Transmission) and 162892 (with RF Suppression, Polar Transmission).....	7-393
7-72.	Contact Box Assembly (with RF Suppression, Polar Transmission), Shielded Signal Lines.....	7-394
7-73.	Code Bar Extension Basket Mechanism.....	7-395
7-74.	Cam Follower Mechanism and Margin Indicator Assemblies.....	7-396
7-75.	Auxiliary Switch Mechanism.....	7-397
7-76.	Keyboard Switch Assemblies.....	7-398
7-77.	Keylever Assemblies (Sheet 1 of 2).....	7-399
7-77.	Keylever Assemblies (Sheet 1 of 2).....	7-400
7-78.	Modification Kit 144708, Function Magnet Contact..	7-401
7-79.	Tape Container Assemblies 158007, 170349 and 176709.....	7-402
7-80.	Character Counter Assembly 155990.....	7-403

LIST OF ILLUSTRATIONS - Continued

Figure	Title	Page
7-81.	Modification Kits 164659 (100 mA), 194425 (50 mA, and 198350 (50 mA) to Provide Synchronous Pulsed Transmission.....	7-404
7-82.	Modification Kit 154141 to Provide Electrical Signal Line Break Mechanism.....	7-405
7-83.	Modification Kit 176405 to Add Tape Backspace Button.....	7-406
7-84.	Modification Kits 154142 and 162731 to Provide Keyboard with Time Delay Mechanism.....	7-407
7-85.	Modification Kit 309511 to Provide Universal Keyboard Switch on Mark III Keyboards.....	7-408
7-86.	Gearsets.....	7-409
7-87.	Keyboard Cable Components.....	7-410
7-88.	Contact Box Assembly 199070.....	7-411
7-89.	Contact Assembly 326357, RFI Suppression Features for Low-Level Sets.....	7-412
7-90.	Signal Generator Magnet Assembly, RFI Suppression Features for Low-Level Sets.....	7-412
7-91.	Contact Box Assembly 323644, RFI Suppression Features for Low-Level Sets.....	7-413
7-92.	Signal Generator Cable and Components, RFI Suppression Features for Low-Level Sets.....	7-414
7-93.	Mounting Components for Contact Box Cable, RFI Suppression Features for Low-Level Sets.....	7-414
7-94.	Frame Mechanism, Typing Perforator (Sheet 1 of 2).....	7-415
7-94.	Frame Mechanism, Typing Perforator (Sheet 2 of 2).....	7-416
7-95.	Main shaft Mechanism, Typing Perforator.....	7-417
7-96.	Punch Rear Plate Mechanism, Typing Perforator.....	7-418
7-97.	Modification Kit 159363 and 172640 to Add Manual Backspace, Typing Perforator.....	7-418

LIST OF ILLUSTRATIONS - Continued

Figure	Title	Page
7-98.	Punch Block Assemblies, Typing Perforator.....	7-419
7-99.	Punch Front Plate Mechanism, Typing Perforator....	7-420
7-100.	Punch Bail Mechanism, Typing Perforator.....	7-421
7-101.	Rotary Positioning Mechanism, Typing Perforator (Sheet 1 of 2).....	7-422
7-101.	Rotary Positioning Mechanism, Typing Perforator (Sheet 2 of 2).....	7-423
7-102.	Axial Positioning Mechanism, Typing Perforator (Sheet 1 of 2).....	7-424
7-102.	Axial Positioning Mechanism, Typing Perforator (Sheet 2 of 2).....	7-425
7-103.	Range Finder Mechanism.....	7-426
7-104.	Function Box Mechanism, Typing Perforator.....	7-427
7-105.	Selecting Mechanism Used on High-Level Sets.....	7-428
7-106.	Transfer Mechanism, Typing Perforator.....	7-429
7-107.	Selecting Magnet Mechanism Used on High-Level Sets.....	7-430
7-108.	Ribbon-Feed Mechanism, Early Design, Typing Perforator.....	7-431
7-109.	Ribbon-Feed Mechanism, Typing Perforator.....	7-432
7-110.	Typing Mechanism, Typing Perforator.....	7-433
7-111.	Tape Depressor Mechanism, Typing Perforator.....	7-434
7-112.	Modification Kit 159364 to Add Power Drive to Backspace, Typing Perforator.....	7-435
7-113.	Modification Kit 159379 to Add Make-Only Code Reading Contacts, Typing Perforator.....	7-436
7-114.	Modification Kit 160881 to Add Guard to Cover Backspace Mechanism, Typing Perforator.....	7-436
7-115.	Modification Kit 178917 to Provide Backspace Mechanism for Fully Perforated Tape and Printing Between Feed Holes, Typing Perforator....	7-437

LIST OF ILLUSTRATIONS - Continued

Figure	Title	Page
7-116.	Modification Kit 178918 to Provide Guard for Backspace Mechanism, Typing Perforator.....	7-437
7-117.	Modification Kit 159360 to Add Signal Bell Contact (on Upper Case "S"), Typing Perforator.....	7-438
7-118.	Modification Kit 162375 to Add Unshift-On-Space, Typing Perforator.....	7-438
7-119.	Type Wheels, Typing Perforator.....	7-439
7-120.	One-Shaft Frame Mechanism, Typing Reperforator....	7-440
7-121.	Frame Mechanism, Typing Reperforator.....	7-441
7-122.	Main Shaft Mechanism, Typing Reperforator.....	7-442
7-123.	Punch Rear Plate Mechanism, Typing Reperforator...	7-443
7-124.	Punch Front Plate Mechanism, Typing Reperforator..	7-444
7-125.	Punch Bail Mechanism, Typing Reperforator.....	7-445
7-126.	Rotary Positioning Mechanism, Typing Reperforator (Sheet 1 of 2).....	7-446
7-126.	Rotary Positioning Mechanism, Typing Reperforator (Sheet 2 of 2).....	7-447
7-127.	Axial Positioning Mechanism, Typing Reperforator (Sheet 1 of 2).....	7-448
7-127.	Axial Positioning Mechanism, Typing Reperforator (Sheet 2 of 2).....	7-449
7-128.	Function Box Mechanism, Typing Reperforator.....	7-450
7-129.	Range Finder Mechanism, Typing Reperforator.....	7-451
7-130.	Transfer Mechanism, Typing Reperforator.....	7-451
7-131.	Selecting Mechanism, Used on High-Level Sets, Typing Reperforator.....	7-452
7-132.	Selecting Magnet Mechanism, Used on High-Level Sets, Typing Reperforator.....	7-453
7-133.	Ribbon-Feed Parts, Early Design, Typing Reperforator.....	7-454

LIST OF ILLUSTRATIONS - Continued

Figure	Title	Page
7-134.	Typing Mechanism, Typing Reperforator.....	7-455
7-135.	Non-Interfering Tape Feed-Out Mechanism, Typing Reperforator.....	7-456
7-136.	Two-Shaft Frame Mechanism (For ASR Keyboard).....	7-457
7-137.	Punch Block Assemblies, Typing Reperforator.....	7-458
7-138.	Ribbon-Feed Assembly 164520, Typing Reperforator..	7-459
7-139.	Cables, Typing Reperforator (Sheet 1 of 2).....	7-460
7-139.	Cables, Typing Reperforator (Sheet 2 of 2).....	7-461
7-140.	Modification Kits 159360 and 162242 to Add Signal Bell Contact.....	7-462
7-141.	Modification Kit 160881 to Add Guard for Backspace Mechanism (Printing on Edge of Tape).....	7-462
7-142.	Modification Kits 159363 (Chadless Tape) and 172640 (Fully Perforated Tape) to Add Backspace (Printing on Edge of Tape), Typing Reperforator...7-463	7-463
7-143.	Modification Kit 176621 to Provide End of Feed-Out Timing Contact for 176628 LETTERS Tape Feed-Out...7-464	7-464
7-144.	Modification Kits 161304 and 162245 to Add Power Drive to Backspace Mechanisms.....	7-465
7-145.	Modification Kits 162379 and 163347 to Add Automatic Non-Interfering Tape Feed-Out, and Modification Kit 162381 for Automatic Non-Interfering BLANK Tape Feed-Out.....	7-466
7-146.	Modification Kit 162379 (Automatic LETTERS, 162380, Remote Control BLANK), 163347 (Automatic LETTERS, 162381, Automatic Blank), 173443 (Remote Control LETTERS), and 176628 (Remote Control LETTERS) to Add Non-Interfering Tape Feed-Out (Sheet 1 of 2)..	7-467
7-146.	Modification Kit 162379 (Automatic LETTERS, 162380, Remote Control BLANK), 163347 (Automatic LETTERS, 162381, Automatic BLANK), 173443 (Remote Control LETTERS), and 176628 (Remote Control LETTERS) to Add Non-Interfering Tape Feed-Out (Sheet 2 of 2)..	7-468

LIST OF ILLUSTRATIONS - Continued

Figure	Title	Page
7-147.	Modification Kits 162380 (BLANK), 162381 (Automatic BLANK), 173443 (LETTERS) and 176628 (LETTERS), to Add Remote Control Non-Interfering Tape Feed-Out and BLANK Feed-Out 198070 to Model 28 Reperforator (Sheet 1 of 2).....	7-469
7-147.	Modification Kits 162380 (BLANK), 162381 (Automatic BLANK), 173443 (LETTERS) and 176628 (LETTERS), to Add Remote Control Non-Interfering Tape Feed-Out and BLANK Feed-Out 198070 to Model 28 Reperforator (Sheet 2 of 2).....	7-470
7-148.	Modification Kits to Provide Unshift Function.....	7-471
7-149.	Modification Kit 161828 to Make Tape Backspace and BLANK Feed-Out Compatible.....	7-471
7-150.	Modification Kit 178917 to Provide Backspace Mechanism for Fully Perforated Tape and Printing Between Feed Holes.....	7-472
7-151.	Modification Kit 178918 to Provide Guard for Backspace Mechanism (Fully Perforated Tape Printing Between Feed Holes).....	7-472
7-152.	Modification Kit 178834 to Convert Ribbon-Feed Mechanism to Fully Perforated Tape (Sheet 1 of 2).....	7-473
7-152.	Modification Kit 178834 to Convert Ribbon-Feed Mechanism to Fully Perforated Tape (Sheet 2 of 2).....	7-474
7-153.	Slack Tape and Reroute Tape Mechanisms.....	7-475
7-154.	Type Wheels, Typing Reperforator.....	7-476
7-155.	Selector Assemblies 319204 and 327383, Used on Low-Level Sets (Sheet 1 of 2).....	7-477
7-155.	Selector Assemblies 319204 and 327383, Used on Low-Level Sets (Sheet 2 of 2).....	7-478
7-156.	Selector Mounting Components for Typing Reperforator, Used on Low-Level Sets.....	7-479
7-157.	Cable Mounting Components for Typing Reperforator, Used on Low-Level Sets.....	7-480

LIST OF ILLUSTRATIONS - Continued

Figure	Title	Page
7-158.	Tape Guide Mounting Components, Used on Low-Level Sets.....	7-480
7-159.	Tape Guide Moutning Components for Auxiliary Base, Used on Low-Level Sets.....	7-481
7-160.	Base Electrical Components.....	7-482
7-161.	Auxiliary Reperforator Base.....	7-483
7-162.	Gear Bracket Mechanism for Auxiliary Mounted Reperforator.....	7-484
7-163.	Variable Speed Drive Gearsets for Auxiliary Mounted Reperforator.....	7-485
7-164.	Single Speed Drive Gearsets for Auxiliary Mounted Reperforator.....	7-486
7-165.	Modification Kits 161815, 176287 and 179492 to Mount an Auxiliary Typing Reperforator Base.....	7-487
7-166.	Modification Kit 178838 to Relocate Power Switch from Auxiliary Base to Outside of Cabinet.....	7-488
7-167.	Cable Components, Typing Reperforator.....	7-489
7-168.	Modification Kits to Provide Chad Disposal.....	7-490
7-169.	Front Plate Mechanism, Transmitter Distributor (Sheet 1 of 3).....	7-491
7-169.	Front Plate Mechanism, Transmitter Distributor (Sheet 2 of 3).....	7-492
7-169.	Front Plate Mechanism, Transmitter Distributor (Sheet 3 of 3).....	7-493
7-170.	Center Plate and Timing Mechanism.....	7-494
7-171.	Rear Plate Mechanism.....	7-495
7-172.	Clutch Trip Magnet Mechanism.....	7-496
7-173.	Contact Box Assemblies 156648 and 162997, Used on High-Level Sets.....	7-497
7-174.	Contact Box Assembly 174420, Used on High-Level Sets.....	7-498

LIST OF ILLUSTRATIONS - Continued

Figure	Title	Page
7-175.	Contact Box Assemblies 198610 (Low-Level Keyer) and 199505 (Extreme RF Suppression).....	7-499
7-176.	Contact Box Assemblies 192600 (Neutral Transmission), 197920 (Neutral Transmission with Arc Suppression), 305008 (Polar Transmission), and 315760 (Polar Transmission with Insulated Drive).....	7-500
7-177.	Main Shaft Mechanism, One-Cycle.....	7-501
7-178.	Tape Guideplate Mechanisms (Sheet 1 of 3).....	7-502
7-178.	Tape Guideplate Mechanisms (Sheet 2 of 3).....	7-503
7-178.	Tape Guideplate Mechanisms (Sheet 3 of 3).....	7-504
7-179.	Cable Components, Transmitter Distributor.....	7-505
7-180.	Modification Kit 162490 to Provide Multiple Wire Output on Transmitter Distributor.....	7-506
7-181.	Contact Box Assembly 323646.....	7-507
7-182.	Mounting Components for Contact Box Cable, Low-Level Sets.....	7-508
7-183.	Start-Stop Contact Assembly 333635, Used on Low-Level Sets.....	7-508
7-184.	Transmitter Distributor Base, Used with LXD Transmitter Distributor Unit.....	7-509
7-185.	Transmitter Distributor Base, Used with Dual LX Type (Fixed Head, Multiple Wire Output) or LXD Type (Fixed Head, Single Contact) Transmitter Distributor Units.....	7-510
7-186.	Gearsets, Transmitter Distributor.....	7-511
7-187.	Modification Kit 161833 to Convert an LCXB1 to an LCXB3 Transmitter Base.....	7-512
7-188.	Synchronous Motor Cross-Reference.....	7-513
7-189.	Series Motor Cross-Reference.....	7-513
7-190.	Synchronous Motor Assemblies, Used on LMU3, LMU12, LMU38, and LMU50.....	7-514

LIST OF ILLUSTRATIONS - Continued

Figure	Title	Page
7-191.	Relay and Capacitor Mounting (Synchronous), Used on LMU3, LMU12, and LMU38.....	7-515
7-192.	Relay and Capacitor Mounting (Synchronous), Used on LMU50.....	7-516
7-193.	Series Motor Assemblies, Used on LMU39 and LMU41..	7-517
7-194.	Series Motor Mounting Parts with RF Suppression, Used on LMU39 and LMU41.....	7-518
7-195.	Brush Assemblies.....	7-519
7-196.	Governor Assemblies 150845 and 324116.....	7-520
7-197.	Governor Assembly 154628.....	7-521
7-198.	Cabinets.....	7-522
7-199.	Cabinet Base Parts (Sheet 1 of 2).....	7-523
7-199.	Cabinet Base Parts (Sheet 2 of 2).....	7-524
7-200.	Cabinet Dome, Latches and Doors.....	7-525
7-201.	Cradle Assembly.....	7-526
7-202.	Receptacle Connectors and Outlet Box.....	7-527
7-203.	Signal Bell Assembly 151560.....	7-527
7-204.	Modification Kits to Add Copyholder, Ready Light, Busy Lamp and Resistance to Cabinets.....	7-528
7-205.	Terminal Blocks.....	7-529
7-206.	Modification Kit 159396 to Add Auxiliary Terminal Blocks, Top Row Left Rear.....	7-530
7-207.	Modification Kit 159384 to Add Auxiliary Terminal Blocks, Top Row Right Rear.....	7-530
7-208.	Modification Kit 159393 and Terminal Block Assembly 179470 to Add Auxiliary Terminal Block, Right Side.....	7-531
7-209.	Modification Kits 157152, 158680, 159394, and 179469 to Add Terminal Boards.....	7-531
7-210.	Transmitter and Transmitter Distributor Housings..	7-532

LIST OF ILLUSTRATIONS - Continued

Figure	Title	Page
7-211.	Modification Kit 170272 to Provide Dual Transmitter Distributor Housing.....	7-533
7-212.	Cabinet Dome Variable Features.....	7-533
7-213.	Control Panels.....	7-534
7-214.	Modification Kit 176300 to Provide Auxiliary Reperforator Motor Control Panel.....	7-535
7-215.	Modification Kit 178838 to Relocate Power Switch from Auxiliary Base to Outside of Cabinet.....	7-535
7-216.	Modification Kits 164024 (for Floor Model) and 173400 (for Table Model) to Provide Offset Copyholder.....	7-536
7-217.	Modification Kit 178897 to Provide a Pivoted Offset Copyholder for Floor Model Cabinet.....	7-537
7-218.	Modification Kits 164272 (for Auxiliary Reperforator) and 170306 (for Keyboard Reperforator) to Provide Chad Disposal.....	7-538
7-219.	Modification Kit 164405 to Provide Chad Container for the Auxiliary Reperforator and/or Keyboard Reperforator.....	7-538
7-220.	Modification Kit 161814 to Mount an Auxiliary Typing Reperforator Base and Provide Tape Guide...	7-539
7-221.	Modification Kit 146140 to Add Copylights and Guard Lamps.....	7-539
7-222.	Modification Kit 154651 to Add Signal Line Electrical Noise Suppressor (DC).....	7-540
7-223.	Modification Kit 151988 to Add Power Line Electrical Noise Suppressor.....	7-540
7-224.	Cable Components, Cabinet.....	7-541
7-225.	Fan, Tape Reel and Rectifier Mounting Components, Lower Cabinet.....	7-542
7-226.	Modification Kits 160387 and 160388 to Provide Relay Rack Brackets.....	7-543
7-227.	Modification Kit 195391 to Add Chad Container for the Auxiliary and/or Keyboard Reperforator.....	7-544

LIST OF ILLUSTRATIONS - Continued

Figure	Title	Page
7-228.	Modification Kits to Equip Low-Level Automatic Send-Receive Sets with Message Numbering Fearues.....	7-545
7-229.	Numbering Module Enclosure 333601 Mounting Components, Used on Low-Level Sets (Sheet 1 of 2).....	7-546
7-230.	Numbering Module Enclosure 333601 Mounting Components, Used on Low-Level Sets (Sheet 2 of 2).....	7-547
7-231.	Enclosure and Power Supply Assembly 336011 (Part of 333601, See Figure 7-229 and 7-230), Used on Low-Level Set.....	7-548
7-232.	Numbering Module Chassis, Used on Low-Level Sets..	7-549
7-233.	Numbering Module 330650 Without Circuit Cards, Used on Low-Level Sets.....	7-550
7-234.	Front Plate Assembly, 328017 (Part of 330650, See Figure 7-233), Used on Low-Level Sets.....	7-551
7-235.	Power Supply Assembly 333605 (Part of 336011, See Figure 7-231), Used on Low-Level Sets (Sheet 1 of 2).....	7-552
7-236.	Power Supply Assembly 333605 (Part of 336011, See Figure 7-231), Used on Low-Level Sets (Sheet 2 of 2).....	7-553
7-237.	Power Plate Assembly 333621 (Part of 333605, See Figures 7-235 and 7-236), Used on Low-Level Sets..	7-554
7-238.	Plate Assembly 333610 (Part of 333605, See Figures 7-235 and 7-236), Used on Low-Level Sets.....	
7-239.	Modification Kit 324149 to Add Junction Boxes to Cabinet, Used on Low-Level Sets (Sheet 1 of 2)....	7-556
7-240.	Modification Kit 324149 to Add Junction Boxes to Cabinet, Used on Low-Level Sets (Sheet 2 of 2)....	7-557
7-241.	Modification Kits 173706 and 173707 to Add Power Factor Correction to Cabinet, Used on Low-Level Sets.....	7-558
7-242.	Cable Components for Automatic Send-Receive Cabinet, Used on Low-Level Sets.....	7-559

LIST OF ILLUSTRATIONS - Continued

Figure	Title	Page
7-243.	Mounting Rails for Automatic Send-Receive Cabinet, Used on Low-Level Sets.....	7-560
7-244.	Table Mounted Cabinet and Pad, Used on Low-Level Sets.....	7-560
7-245.	Modification Kit 324677 to Add Fan To Cabinet, Used on Low-Level Sets.....	7-561
7-246.	Front Panel Fan Mounting, Used on Low-Level Sets..	7-562
7-247.	Cable Components, Keyboard Send-Receive Cabinet, Used on Low-Level Sets.....	7-562
7-248.	Components for Transmitter-Distributor Base, Used on Low-Level Sets.....	7-563
7-249.	Four-Digit Display Circuit Card with Cable 322417, Used on Low-Level Sets.....	7-564
7-250.	Dual-Circuit Magnet Drive Circuit Card 303160, Used on Low-Level Sets.....	7-565
7-251.	Clock Amplifier Circuit Card 303164, Used on Low-Level Sets.....	7-565
7-252.	Line Assurance Circuit Card 322080, Used on Low-Level Sets.....	7-566
7-253.	Contact Latch and Filter Circuit Card 303811, Used on Low-Level Sets.....	7-566
7-254.	Format Scanner Circuit Card 322023, Used on Low-Level Sets.....	7-567
7-255.	Message Counter Circuit Card 322022, Used on Low-Level Sets.....	7-567
7-256.	Serialization Circuit Card 322024, Used on Low-Level Sets.....	7-568
7-257.	Seizure and Tandem Delay Logic Circuit Card 322025, Used on Low-Level Sets.....	7-568
7-258.	Power Supply Circuit Card 333620, Used on Low-Level Sets.....	7-569
7-259.	Modification Kits for Transmitter Distributor (Sheet 1 of 2).....	7-570

LIST OF ILLUSTRATIONS - Continued

Figure	Title	Page
7-259.	Modification Kits for Transmitter Distributor (Sheet 2 of 2).....	7-571
7-260.	Paper Winder Mechanism.....	7-573
7-261.	Modification Kit 320033 to Provide Improved Paper Handling when Used with Paper Winder.....	7-575
7-262.	Container.....	7-576
7-263.	Line Shunt Relays and Mounting Plates.....	7-577
7-264.	Plates and Resistors.....	7-578
7-265.	Mounting Brackets and Capacitor for 48-Volt Rectifier.....	7-579
7-266.	Low-Tape Bell.....	7-579
7-267.	Motor Control Assembly 153251.....	7-580
7-268.	Rectifiers and Cable Assembly (150mA) 152950.....	7-581
7-269.	Rectifiers and Cable Assemblies (500mA) 162361 and 310275.....	7-581
7-270.	Rectifier Assemblies 146901 and 170573.....	7-582
7-271.	Selector Magnet Driver Assemblies 177010 and 178601 and Selector Magnet Driver Assembly 179560 with Open Line Detector.....	7-583
7-272.	Relay Assemblies 176694 (Motor Control) and 176698 (Slow Release).....	7-584
7-273.	Motor Control Relay Assemblies 152332 and 176448..	7-584
7-274.	Modification Kit 178345 and Relay Assembly 178608 to Provide Motor Control and Answer-Back Relays...	7-585
7-275.	Motor Control 165650 and Answer-Back Relay Assembly.....	7-585
7-276.	Motor Control Relay Assemblies 165673 and 178307..	7-586
7-277.	Auxiliary Line Shunt Relay Assemblies 160420 and 195038 and Auxiliary Reader Control Relay Assemblies 179444 and 173239.....	7-586

LIST OF ILLUSTRATIONS - Continued

Figure	Title	Page
7-278.	Line Test Key Assemblies 158293, 164232, 173252, and 194492.....	7-587
7-279.	Line Test Key Control.....	7-587
7-280.	Line Test Key Assembly 152625.....	7-588
7-281.	Resistor Modification Kits.....	7-588
7-282.	Electronic Keyer Assembly 173452.....	7-589
7-283.	Line Jack Assembly.....	7-589
7-284.	Components to Provide for AC and DC Power Distribution.....	7-590
7-285.	Selector Magnet Driver Assembly 310217.....	7-591
7-286.	Modification Kit 161829 for Mounting an Electrical Service Unit on Relay Rack Brackets.....	7-592
7-287.	Auxiliary Reperforator Line Relay Assembly 179139 and 195036.....	7-592
7-288.	Modification Kit 160422 to Equip Cabinet with Rectifier.....	7-592
7-289.	Rectifier Assembly 192750.....	7-593
7-290.	Modification Kits 179610 and 179611 to Reduce Radio Frequency Noise on ASR Set (Sheet 1 of 2)...	7-594
7-290.	Modification Kits 179610 and 179611 to Reduce Radio Frequency Noise on ASR Set (Sheet 2 of 2)...	7-595
7-291.	Cable Components, Model 28 ASR.....	7-596
7-292.	Rectifier Assembly (6-Volt) 305143, Used on Low-Level Sets.....	7-597
7-293.	Cable Components, Used on Low-Level Sets.....	7-598
7-294.	Electrical Service Unit (LESU) for Reperforator...	7-599
7-295.	Line Relay Mounting Assembly 152623.....	7-600
7-296.	Rectifier Assemblies 152950 and 162361.....	7-601
7-297.	Motor Control Assembly 153251.....	7-602

LIST OF ILLUSTRATIONS - Continued

Figure	Title	Page
7-298.	Relay Motor Control Assembly 176448.....	7-603
7-299.	Selector Magnet Driver Assembly 177010.....	7-604
7-300.	Signal Bell Parts, Early Design.....	7-605
7-301.	Plate Assembly 179426.....	7-605
7-302.	Motor Control Assembly 176694.....	7-606
7-303.	Cables, Typing Reperforator Electrical Service Unit.....	7-606
7-304.	Electrical Service Assembly Covers.....	7-607
7-305.	Electrical Service Assembly 323812 (Sheet 1 of 2).....	7-608
7-305.	Electrical Service Assembly 323812 (Sheet 2 of 2).....	7-609
7-306.	Electrical Service Assemblies 323811, 323815, 330526, 330835, 333522, 333524, and 334190 (Sheet 1 of 2).....	7-610
7-306.	Electrical Service Assemblies 323811, 323815, 330526, 330835, 333522, 333524, and 334190 (Sheet 2 of 2).....	7-611
7-307.	Electrical Service Assemblies 330836 and 333523 (Sheet 1 of 2).....	7-612
7-307.	Electrical Service Assemblies 330836 and 333523 (Sheet 2 of 2).....	7-613
7-308.	Power Supply Circuit Card (0.5 Amp) 321290.....	7-614
7-309.	Clutch Magnet Driver Circuit Card 321991.....	7-615
7-310.	Selector Magnet Drive Circuit Card 323810.....	7-616
7-311.	Low-Level Keyer Circuit Card 303142.....	7-617
7-312.	Dual-Neutral Clutch Magnet Driver Circuit Card 303160.....	7-618
7-313.	Clock Amplifier Circuit Card 303164.....	7-618
8-1.	Typical Automatic Send-Receive (ASR) Set.....	8-2

LIST OF ILLUSTRATIONS - Continued

Figure	Title	Page
8-2.	Location of Units in Automatic Send-Receive Cabinet, Top View.....	8-3
8-3.	Securing Automatic Send-Receive Cabinet to Mounting Surface, Bottom View.....	8-4
8-4.	Installation of Motor Pinion, Gear and Flexible Coupling.....	8-7
8-5.	Typical Transmitter Distributor Unit and Base Arrangement.....	8-10
8-6.	Isolation Mounting of TD Base.....	8-10
8-7.	Installation of TD Base Ground Strap.....	8-11
8-8.	Installation of Gearset on Gear Bracket Assembly (Auxiliary Reperforator Base), Rear View.....	8-15
8-9.	Installation of Tape Guide TP161804 (Auxiliary Reperforator without LETTERS-FIGURES Contact Assembly).....	8-16
8-10.	Installation of Tape Guide TP161804 (Auxiliary Reperforator with LETTERS-FIGURES Contact Assembly).....	8-16
8-11.	ASR Set With Electronic Message Numbering.....	8-21

LIST OF TABLES

Table	Title	Page
7-1.	Automatic Send-Receive Typing Unit (LP).....	7-2
7-2.	Automatic Send-Receive Keyboard (LAK).....	7-64
7-3.	Typing Perforator (LTPE).....	7-111
7-4.	Auxiliary Typing Reperforator (LPR).....	7-141
7-5.	Auxiliary Typing Reperforator Base (LRB).....	7-187
7-6.	Transmitter Distributor Unit (LXD).....	7-197
7-7.	Transmitter Distributor Base (LCXB).....	7-219
7-8.	Motor Unit (LMU).....	7-225
7-9.	Automatic Send-Receive Cabinet (LAAC).....	7-234
7-10.	Ppaer Winder (LPW).....	7-274
7-11.	Electrical Service Unit (LESU).....	7-227
7-12.	Auxiliary Typing Reperforator Electrical Service Unit (LESU).....	7-303
7-13.	Electrical Service Assembly (ESA).....	7-312
7-14.	List of Abbreviations.....	7-619

CHAPTER 7 PARTS LIST

7-1. SCOPE. This chapter provides a list of maintenance parts and parts location diagrams for Automatic Send-Receive (ASR) Model 28.

7-2. MAINTENANCE PARTS LIST. Maintenance parts are listed by major units, in Table 7-1 through 7-13. The parts are listed for each unit in numerical part number sequence. Reference to the applicable parts location diagram is included for each part listed.

7-3. LIST OF MANUFACTURERS. Automatic Send-Receive Sets Model 28 are manufactured by Teletype Corporation, Skokie, Illinois.

7-4. PARTS LOCATION DIAGRAMS. Figures 7-1 through 7-313 show location of all parts listed in Tables 7-1 through 7-13. The parts location diagrams are used to locate and identify a particular part which is indexed by part number. The user then refers to the part number in the applicable table to obtain a description of the part to be ordered.

7-5. LIST OF ABBREVIATIONS. Table 7-14 contains the explanations of a list of abbreviations used throughout the parts list.

Table 7-1. Automatic Send-Receive Typing Unit (LP)

Part Number	Figure Number(s)	Description	Notes
233M	7-5	Coil, Magnet	
250M	7-26	Coil, Magnet	
254M	7-27	Coil, Magnet	
298M	7-28	Coil, Magnet	
1010	7-1	Screw, 6-40 Shoulder	
1028	7-5	Screw, 4-40 x 1/4 Fil	
1036	7-3	Nut, 6-40 Hex	
1164	7-14	Screw, 2-56 x 3/16 Fil	
1196	7-8	Screw, 6-40 Shoulder	
1214	7-20	Setscrew, 10-32	
1293	7-31	Screw, 4-40 x 1/8 Fil	
2034	7-24	Washer, Flat	
2191	7-1 thru -34, -37,-38,-44,-46 -49,-50,-52	Lockwasher	
2201	7-50,-52	Nut, 5/16-32 Hex	
2422	7-6	Lockwasher	
2438	7-5,-24	Washer, Flat	
2481	7-8	Washer, Flat	
2539	7-7,-18	Nut, 3/8-25 Hex	
2669	7-1,-3,-6,-7,-12, -15,-19,-20,-24	Lockwasher	
3598	7-1,-2,-3,-6, thru -9,-11 thru -16,-18,-20,-21, -22,-24,-27,-28, -34,-37,-47,-50	Nut, 6-40 Hex	

Table 7-1. Automatic Send-Receive Typing Unit (LP) - Continued

Part Number	Figure Number(s)	Description	Notes
3599	7-2,-18,-20,-25, -27,-29,-31,-38, -39	Nut, 4-40 Hex	
3603	7-28	Nut, 1/4-32 Hex	
3606	7-23,-25,-37,-50, -52	Nut, 6-40 Hex	
3640	7-3,-10,-11,-16, -20	Lockwasher	
3646	7-50,-52	Lockwasher	
3649	7-22	Washer, Flat	
4586	7-3	Washer, Felt	
4703	7-43	Spring	
5599	7-50,-52	Nut, 8-32 Hex	
6800	7-18	Screw, 6-40 Shoulder	
7002	7-1,-3 thru -6, -12 thru -15, -16,-18 thru -20, -22,-24,-27 thru -31,-24,-47,-49	Washer, Flat	
7036	7-3,-32	Collar, Locking	
7603	7-18,-20,	Spring	
7655	7-3	Spring	
7835	7-31	Ribbon w/Spool, Black	
7965	7-4,-46	Spring	
8330	7-10,-18,-19, -22,-24,-34	Washer, Flat	
8449	7-18,-31	Spacer, 0.094 In. Thk	
22015	7-31	Spring	
27425	7-15	Screw, 2-56 x 5/32 Fil	

Table 7-1. Automatic Send-Receive Typing Unit (LP) - Continued

Part Number	Figure Number(s)	Description	Notes
31636	7-32	Spring	
33038	7-3	Spring	
33828	7-12,-15,-20	Spring	
34432	7-32	Washer, Flat	
35826	7-6	Washer, Flat	
36273	7-20,-28,-52	Washer, Flat	
41382	7-24	Spring	
42661	7-6,-30,-31,-37	Spring	
42823	7-6,-16	Washer, Flat	
43227	7-28	Screw, 3-48 x 1/4 Fil	
45027	7-20	Spring	
49420	7-34	Spring	
55063	7-10	Spring	
70388	7-18,-38	Spring	
71681	7-30	Spool, Ribbon	
72468	7-2	Spring	
72522	7-39	Wick, Felt	
72579	7-51,-52	Washer, Flat	
73175	7-7,-18	Lockwasher	
73520	7-20	Wick, Felt	
74273	7-25	Washer, Spring	
74536	7-3	Setscrew, 6-40	
74547	7-18	Collar	
74553	7-15	Wick, Felt	

Table 7-1. Automatic Send-Receive Typing Unit (LP) - Continued

Part Number	Figure Number (s)	Description	Notes
74701	7-2,-18	Spring	
74712	7-18	Spring	
74722	7-3,-11	Washer, Flat	
74755	7-19	Washer, Felt	
74785	7-18	Roller	
74798	7-7	Screw, 6-40 x 31/64 Fil	
74882	7-15	Spring	
76081	7-27	Washer, Flat	
76099	7-27	Washer, Flat	
76379	7-12	Spring	
76461	7-20	Washer, Flat	
76800	7-10	Spring	
78533	7-24,-28	Spring	
79012	7-27	Insulator	
80342	7-37	Screw, 6-40 x 23/64 Hex	
80516	7-28	Pin, Cotter	
80581	7-3,-11,-20,-50, -52	Spring	
80848	7-10	Spring	
81731	7-20	Spring	
81778	7-27	Screw, 4-40 x 3/16 Fil	
82442	7-3	Spring	
82463	7-3,-30,-31	Spring	
84575	7-3,-20	Spring	
85407	7-45	Spring, Compression	

Table 7-1. Automatic Send-Receive Typing Unit (LP) - Continued

Part Number	Figure Number (s)	Description	Notes
85816	7-20	Wick, Felt	
86304	7-3	Spring	
86835	7-20,-27,-47	Spring	
89096	7-20	Washer, Felt	
89897	7-20	Nut, 10-32 Hex	
90361	7-1,-3,-12,-15, -30,-31	Washer, Felt	
90432	7-13,-14	Washer, Flat	
90490	7-3	Shim, 0.005 In. Thk	
90504	7-20,-37	Washer, Felt	
90517	7-6,-39	Spring	
90599	7-34	Shim, 0.008 In. Thk	
90606	7-38	Spring	
90679	7-3,-4,-23	Washer, Felt	
90790	7-37	Washer, Flat	
90791	7-14,-15,-39	Lockwasher	
90819	7-7,-18	Washer, Felt	
91198	7-12,-15	Wick, Felt	
92260	7-1,-52	Lockwasher	
92682	7-22	Nut, 4-40 Spl	
93356	7-7,-8,-15,-16, -18,-20,-34	Washer, Felt	
93507	7-37	Screw, 4-40 x 3/4 Hex	
93729	7-34	Wick, Felt	
93758	7-3,-5,-18	Washer, Felt	

Table 7-1. Automatic Send-Receive Typing Unit (LP) - Continued

Part Number	Figure Number(s)	Description	Notes
93879	7-3	Oiler, Felt	
93969	7-45	Screw, 4-40 x 3/16 Flat	
94674	7-28,-34	Washer, Cup	
94693	7-39	Wick, Felt	
95030	7-45	Nut, 6-40 Shoulder	
95428	7-36,-37	Spring	
95827	7-20	Bushing	
96717	7-24	Screw, 4-40 Shoulder	
97481	7-7	Wick, Felt	
101796	7-3,-15,-20,-34	Washer, Felt	
103863	7-38	Spacer, 0.055 In. Thk	
104807	7-29	Washer, Flat	
104827	7-24	Spring	
105028	7-20	Wick, Felt	
107116	7-1,-47	Lockwasher	
108199	7-18,-20,-34	Wick, Felt	
110434	7-1,-10,-16,-20, -24,-28,-32,-35, -38,-51	Screw, 4-40 x 3/16 Fil	
110435	7-22	Nut, 4-40 Hex	
110437	7-18	Spring	
110743	7-1,-5 thru -7, -10 thru -12, -14 thru -16, -19,-20,-25,-27, -34,-35,-37,-41, -48,-51	Lockwasher	
110872	7-20	Spring, Compression	

Table 7-1. Automatic Send-Receive Typing Unit (LP) - Continued

Part Number	Figure Number(s)	Description	Notes
111355	7-3	Spring, Compression	
112626	7-1,-3,-6,-12, -15,-19,-20,-24	Nut, 10-32 Hex	
112627	7-14,-39	Nut, 2-56 Hex	
112633	7-34	Spring w/Wick	
112634	7-30,-31	Spring	
115122	7-12,-15	Washer, Felt	
119418	7-6	Washer, Flat	
119467	7-6	Insulator, 0.032 In. Thk	
119648	7-5,-6,-15,-20, -24,-38	Ring, Retaining	
119649	7-3,-5,-6,-14, -20,-30,-37	Ring, Retaining	
119651	7-2,-3,-4,-12, -15,-20,-28,-30, -31,-34,-37	Ring, Retaining	
119652	7-3,-4,-7,-9,-12, -15,-16,-18, -20,-22,-24,-30, -32,-37,-42	Ring, Retaining	
119653	7-3,-11,-20,-30, -31,-37	Ring, Retaining	
119935	7-50,-52	Lockwasher	
120824	7-16	Washer, Felt	
121243	7-5,-27,-29,-37	Clamp, 3/16 In. ID Cable	
121244	7-37	Clamp, 1/4 In. ID Cable	
121245	7-37	Clamp, 5/16 In. ID Cable	
121247	7-37	Clamp, 7/16 In. ID Cable	
122149	7-38	Screw, 4-40 Spl	

Table 7-1. Automatic Send-Receive Typing Unit (LP) - Continued

Part Number	Figure Number(s)	Description	Notes
124177	7-25,-28	Lockwasher	
124681	7-2	Setscrew, 6-40	
124999	7-6	Switch, Sensitive	
125011	7-2,-3,-5,-6,-7, -10,-11,-12,-14, -15,-19,-20,-23, -24,-28,-35,-37, -38,-40	Washer, Flat	
125015	7-2,-3,-5,-6,-7, -15,-18,-27,-37	Washer, Flat	
125238	7-20	Spring	
125802	7-11,-20,-39	Washer, Flat	
126241	7-28	Lockwasher	
128357	7-10	Ring, Retaining	
130667	7-28	Lockwasher	
130683	7-28	Lockwasher	
135716	7-5	Spring	
139555	7-20	Spring	
145301	7-39	Latch	
150000	7-16	Drum, Clutch	
150001	7-16	Drum, Clutch	
150004	7-16	Cam, Code Bar Clutch	
150010	7-16	Plate, Retaining	
150013	7-16,-17	Disk, Adjusting	
150014	7-16,-17	Disk, Adjusting	
150021	7-16	Clutch Assembly, Code Bar	
150024	7-17	Clutch Assembly, Line	

Table 7-1. Automatic Send-Receive Typing Unit (LP) - Continued

Part Number	Figure Number(s)	Description	Notes
150025	7-16	Clutch Assembly, Type Box	
150026	7-16	Lever, Shoe Release	
150027	7-16,-17	Lever, Shoe Release	
150029	7-16	Wick, Felt	
150030	7-34	Roller, Bearing	
150032	7-17	Disk, 2-Stop Clutch Cam	
150033	7-16	Disk, 3-Stop	
150034	7-17	Disk, 2-Stop	
150035	7-16	Disk, 3-Stop	
150036	7-34	Carriage Assembly	
150038	7-34	Latch	
150039	7-34	Slide, Printing Arm	
150040	7-10,-18	Screw, 6-40 x 5/8 Fil	
150043	7-16	Shoe, Secondary Clutch	
150044	7-16	Shoe, Primary Clutch	
150045	7-16,-17	Bearing, Clutch Sleeve	
150046	7-16	Bearing, Type Box Clutch	
150047	7-16	Bearing, Code Bar Clutch	
150048	7-24,-28	Spring	
150049	7-17	Spacer, Clutch	
150050	7-16	Spacer, Clutch	
150051	7-16	Cam, Eccentric	
150052	7-17	Cam, Eccentric	
150053	7-34	Bracket	

Table 7-1. Automatic Send-Receive Typing Unit (LP) - Continued

Part Number	Figure Number(s)	Description	Notes
150054	7-34	Bail w/Roller	
150055	7-8,-25	Stud	
150056	7-16	Arm	
150059	7-34	Bail	
150061	7-34	Head, Print Hammer	
150064	7-34	Stud	
150065	7-34	Bracket, Stop	
150068	7-34	Arm	
150075	7-14	Latch, Type Box	
150077	7-35	Spring	
150078	7-35	Nut, 4-40 Shoulder Hex	
150079	7-35	Stud	
150080	7-14	Screw, 2-56 Shoulder	
150089	7-20,-27	Screw, 4-40 x 1/2 Fil	
150091	7-17	Gear, 27T	
150096	7-2	Roller Assembly, Pressure	
150097	7-2	Crossbar	
150099	7-2	Guide, Rear Paper	
150175	7-20	Stud	
150184	7-20	Link	
150193	7-20	Hub	
150194	7-20	Plate	
150196	7-20	Bail	
150197	7-19	Stud	

Table 7-1. Automatic Send-Receive Typing Unit (LP) - Continued

Part Number	Figure Number(s)	Description	Notes
150202	7-20	Gear, 18T	
150203	7-20	Retainer	
150206	7-19	Spacer, 0.412 In. Thk	
150208	7-20	Bail, Left	
150214	7-3	Stud, Bearing	
150215	7-20	Block, Guide	
150218	7-20	Bushing	
150219	7-20	Screw, 4-40 x 1/2 Sqh	
150224	7-20	Pulley	
150225	7-19	Rope, Draw-Wire	
150228	7-20	Spacer, 0.035 In. Thk	
150229	7-20	Retainer	
150230	7-34	Plate	
150232	7-20	Retainer, Oil	
150233	7-20	Roller	
150234	7-20	Roller	
150235	7-20	Slide, Transfer	
150237	7-20	Lever, Escapement	
150241	7-16	Spring	
150244	7-16	Link	
150245	7-20	Bracket	
150247	7-20,-21	Link	
150251	7-19	Wheel, Ratchet	
150255	7-20	Bushing	

Table 7-1. Automatic Send-Receive Typing Unit (LP) - Continued

Part Number	Figure Number(s)	Description	Notes
150263	7-20,-21	Bail	
150265	7-2	Shaft	
150266	7-2	Lever	
150267	7-2	Clamp	
150269	7-2	Roller, Pressure	
150270	7-2	Link	
150271	7-2	Arm, Release	
150274	7-2	Bracket, Clamp	
150276	7-2	Lever	
150285	7-33	Bar, Tie	
150288	7-28	Bracket	
150289	7-28	Stud	
150291	7-38	Slide	
150293	7-32	Plate, Retaining	
150296	7-38	Fork, Code Bar	
150298	7-38	Bushing	
150301	7-32	Plate, Retaining	
150302	7-32	Shim, 0.006 In. Thk	
150304	7-32	Bracket, Guide	
150310	7-31	Lever, Ribbon	
150311	7-30	Lever, Ribbon	
150318	7-11	Stud	
150327	7-30,-31	Roller, Ribbon	
150335	7-31	Gear, 12T	

Table 7-1. Automatic Send-Receive Typing Unit (LP) - Continued

Part Number	Figure Number(s)	Description	Notes
150336	7-20,-30,-31	Bushing	
150341	7-1	Post, Spring	
150342	7-10,-11	Screw, 6-40 Shoulder	
150343	7-31	Lever	
150344	7-30	Lever	
150348	7-18	Shaft	
150349	7-18	Arm, Follower	
150350	7-18	Shaft	
150351	7-1	Stud, Eccentric	
150352	7-18	Bushing	
150353	7-1	Stud	
150354	7-18	Arm, Trip	
150355	7-18	Latchlever	
150356	7-18	Lever, Trip	
150358	7-18	Lever, Trip	
150361	7-18	Spacer, 0.277 In. Thk	
150363	7-12	Plate	
150364	7-16	Stud, Eccentric	
150365	7-12	Shaft, Rocker	
150366	7-12	Bracket	
150367	7-15	Bracket	
150369	7-12	Link, Left	
150370	7-15	Link, Right	
150371	7-38	Slide	

Table 7-1. Automatic Send-Receive Typing Unit (LP) - Continued

Part Number	Figure Number(s)	Description	Notes
150377	7-3	Arm	
150380	7-15	Stud	
150382	7-12,-15	Block, Guide	
150383	7-12	Spacer, 0.194 In. Thk	
150384	7-15	Spacer, 0.245 In. Thk	
150386	7-12	Link, Left Ribbon Drive	
150387	7-15	Link, Right Ribbon Drive	
150390	7-13,-14	Bushing	
150391	7-17	Spacer, 0.095 In. Thk	
150392	7-3	Bail	
150395	7-12,-15	Screw, 6-40 Shoulder	
150396	7-12	Lever, Left	
150397	7-15	Lever, Right	
150398	7-7	Stud, Pivot	
150399	7-3	Shaft	
150401	7-12	Clamp	
150410	7-12	Stud	
150411	7-15	Washer, Flat	
150412	7-12	Arm, Left Follower	
150413	7-15	Arm, Right Follower	
150414	7-7	Bushing	
150419	7-7	Shaft	
150420	7-15	Lever, Right	
150423	7-7	Stud, Pivot	

Table 7-1. Automatic Send-Receive Typing Unit (LP) - Continued

Part Number	Figure Number(s)	Description	Notes
150424	7-13,-36	Blade, Stripper	
150425	7-12,-15	Locklever	
150428	7-12	Lever, Left	
150429	7-12,-15	Stud, Eccentric	
150431	7-18	Lever, Trip	
150434	7-4	Bail, Transfer	
150436	7-2,-10,-20,-31	Bushing	
150438	7-20	Bellcrank	
150440	7-16	Hub	
150441	7-16	Gear, 21T	
150444	7-18	Lever, Trip Shaft	
150447	7-22	Arm	
150450	7-22	Arm	
150451	7-23	Link	
150452	7-22	Bearing	
150453	7-22	Shaft	
150471	7-22	Stud	
150479	7-24	Stud	
150481	7-22	Shaft	
150482	7-22	Plate	
150507	7-22	Spring	
150525	7-23	Bracket	
150531	7-20	Plate, Clamp	
150535	7-32	Spring, Compression	

Table 7-1. Automatic Send-Receive Typing Unit (LP) - Continued

Part Number	Figure Number(s)	Description	Notes
150536	7-20	Spring	
150537	7-20,-32	Ball, Bearing	
150538	7-20	Cylinder, Dashpot	
150543	7-37	Screw, 3-48 x 13/32 Fil	
150544	7-36,-37	Handle	
150545	7-1	Bracket, Right	
150546	7-1	Bracket, Left	
150547	7-37	Shaft	
150549	7-16	Collar	
150553	7-38	Bushing, Insulating	
150554	7-20	Plate	
150557	7-4,-46	Bracket	
150558	7-20	Spring, Torsion	
150559	7-20	Spring, Torsion	
150561	7-3,-4,-46	Arm	
150563	7-22	Spring	
150569	7-1	Guide, Left	
150571	7-38	Plate, Spacing	
150572	7-38	Separator, 0.105 In. Thk	
150573	7-38	Separator, 0.075 In. Thk	
150576	7-38	Spring, Contact	
150579	7-1	Guide, Right	
150585	7-11	Bar, Line-Feed	
150586	7-11	Lever	

Table 7-1. Automatic Send-Receive Typing Unit (LP) - Continued

Part Number	Figure Number(s)	Description	Notes
150587	7-38	Spring, Contact	
150588	7-38	Spring, Contact	
150598	7-20	Track, Printing	
150642	7-10,-11	Bellcrank	
150646	7-10,-11	Screw, 6-40 Shoulder	
150647	7-11	Eccentric	
150648	7-11	Eccentric	
150649	7-11	Washer, Spacing	
150650	7-11	Bushing	
150651	7-11	Gear, 28T	
150652	7-11	Screw, 4-40 x 37/64 Fil	
150654	7-1	Guide	
150656	7-11	Handwheel	
150658	7-11	Gear, 21T	
150665	7-17	Gear, 42T	
150666	7-11	Gear, 28T	
150668	7-20	Collar, Spacing	
150669	7-20	Shim, 0.002 In. Thk	
150670	7-20	Shim, 0.004 In. Thk	
150672	7-20	Bearing	
150673	7-20	Shaft	
150677	7-20	Pawl, Feed	
150678	7-20	Pawl, Feed	
150685	7-2	Plate	

Table 7-1. Automatic Send-Receive Typing Unit (LP) - Continued

Part Number	Figure Number(s)	Description	Notes
150687	7-21,-25	Stud	
150691	7-20	Link	
150692	7-20	Link	
150694	7-20	Slide	
150705	7-20	Bushing	
150709	7-20	Spacer	
150710	7-20	Screw, 6-40 x 1/4 Fil	
150712	7-19	Rope, Draw-Wire	
150714	7-11	Bearing, Sleeve	
150715	7-11	Gear, 32T	
150718	7-11	Platen	
150719	7-11	Retainer	
150720	7-10,-11	Retainer	
150721	7-20	Arm	
150722	7-20	Arm	
150726	7-20	Link, Left	
150727	7-20	Link, Right	
150728	7-20	Rail	
150731	7-20	Slide	
150732	7-20	Slide, Bottom	
150733	7-20	Slide, Top	
150738	7-20	Guide	
150740	7-21	Plate	
150746	7-20	Bushing	

Table 7-1. Automatic Send-Receive Typing Unit (LP) - Continued

Part Number	Figure Number(s)	Description	Notes
150748	7-20,-21	Stud	
150750	7-20	Plate	
150751	7-20	Block, Guide	
150752	7-20	Stud	
150753	7-20	Roller	
150754	7-20	Roller	
150755	7-20	Stud	
150757	7-21	Arm	
150758	7-20	Pulley	
150770	7-20	Bellcrank	
150771	7-20	Bellcrank	
150776	7-20	Locklever	
150777	7-20	Bail, Right	
150780	7-1,-52	Screw, 6-40 Spl	
150781	7-3,-4	Stud	
150796	7-19	Disc	
150798	7-19	Ratchet	
150800	7-20	Stud	
150803	7-2	Spring, Flat	
150804	7-2	Finger, Right Paper	
150805	7-20	Shim, 0.012 In. Thk	
150806	7-20	Plate	
150807	7-20	Oiler, Felt	
150809	7-11	Gear, 32T	

Table 7-1. Automatic Send-Receive Typing Unit (LP) - Continued

Part Number	Figure Number(s)	Description	Notes
150811	7-15	Stud	
150815	7-2	Bushing	
150816	7-2	Lever	
150821	7-30	Spacer, 0.156 In. Thk	
150824	7-15	Track	
150826	7-2	Guide, Left Paper	
150827	7-19	Drum, Spring	
150830	7-16,-17	Bushing, Shoulder	
150831	7-17	Ring, Retaining	
150833	7-11	Platen Assembly	
150838	7-19	Ring, Retaining	
150840	7-2	Bracket, Guide	
150841	7-16,-17	Bearing	
150843	7-19	Plate, Hook	
150889	7-18	Lever, Trip	
150891	7-15	Block	
150895	7-18	Arm, Trip	
150900	7-1,-52	Bail, Detent	
150902	7-1	Lever	
150903	7-7	Block, Left Paper Spindle	
150904	7-7	Block, Right Paper Spindle	
150907	7-7	Spindle, paper	
150909	7-20	Screw, 6-40 Shoulder	
150910	7-45	Latch, Right	

Table 7-1. Automatic Send-Receive Typing Unit (LP) - Continued

Part Number	Figure Number(s)	Description	Notes
150911	7-11	Bushing, Shoulder	
150912	7-11	Screw, 6-40 Shoulder	
150913	7-4	Bail	
150915	7-4,-36	Blade, Stripper	
150923	7-18,-20,-34	Washer, Felt	
150926	7-20	Washer, Felt	
150927	7-20	Oiler, Felt	
150929	7-20	Oiler, Felt	
150930	7-3	Washer, Felt	
150931	7-17	Spacer, 0.040 In. Thk	
150932	7-30,-31	Bushing, Shoulder	
150935	7-45	Latch, Left	
150937	7-31	Lever	
150953	7-20	Slide Assembly	
150961	7-1,-10	Bushing, Eccentric	
150963	7-38	Plate, Retaining	
150969	7-1,-10	Spring, Torsion	
150970	7-16	Bearing, Ball	
150971	7-42	Cable	
150973	7-35	Pallet, Dummy	
150975	7-20	Cup, Dashpot	
150978	7-22,-27	Screw, 6-40 x 1-1/8 Fil	
150986	7-20	Pawl Assembly, Spacing	
150987	7-20	Spacer, 0.090 In. Thk	

Table 7-1. Automatic Send-Receive Typing Unit (LP) - Continued

Part Number	Figure Number(s)	Description	Notes
150990	7-7,-8,-22,-23	Washer, Felt	
150991	7-9	Washer, Felt	
150992	7-2	Stud	
150998	7-11	Spacer, 0.020 In. Thk	
151073	7-11,-48	Screw, 4-40 x 5/32 Fil	
151103	7-24,-28	Spring	
151152	7-5,-20,-22,-32,-34	Screw, 4-40 x 3/16 Hex	
151222	7-8,-22,-37	Washer, Felt	
151223	7-14	Screw, 4-40 Shoulder	
151336	7-24,-28	Oiler	
151346	7-1,-3,-7,-8,-10,-11,-16,-19,-20,-34	Screw, 6-40 x 3/8 Fil	
151442	7-12	Screw, 6-40 x 1/2 Hex	
151443	7-34	Eccentric	
151602	7-12,-15	Plate	
151603	7-15,-27	Spacer	
151604	7-12,-15	Block, Guide	
151606	7-8,-20	Screw, 10-32 x 1/4 Hex	
151607	7-26	Retainer, Spring	
151610	7-16,-34	Washer, Flat	
151611	7-34	Bushing	
151612	7-34	Spacer	
151618	7-6,-19,-32,-47	Screw, 6-40 x 7/16 Fil	
151619	7-19	Bushing	

Table 7-1. Automatic Send-Receive Typing Unit (LP) - Continued

Part Number	Figure Number(s)	Description	Notes
151625	7-20	Strip	
151627	7-7	Rod	
151629	7-10,-18,-22	Nut, 6-40 Lug	
151630	7-3,-5,-7,-10, -15,-16,-20,-22, -24,-28,-30,-32, -34,-50	Screw, 6-40 x 1/4 Hex	
151631	7-19,-20,-27,-29, -52	Screw, 6-40 x 5/16 Hex	
151632	7-5,-10,-12 thru -16,-20	Screw, 6-40 x 3/8 Hex	
151637	7-1,-5,-6,-10, -11,-12,-14,-19, -20,-30,-31,-37, -38,-47	Screw, 4-40 x 1/4 Fil	
151640	7-16	Lever, Shoe Release	
151642	7-6,-16	Screw, 6-40 x 3/4 Fil	
151644	7-12,-15	Spring	
151657	7-1 thru -4,-7, -9,-10,-15,-20, -22,-24,-28,-30, -31,-32,-37,-38	Screw, 6-40 x 1/4 Fil	
151658	7-3,-6,-7,-10, -11,-12,-19,-20 22,-27,-31,-47	Screw, 6-40 x 5/16 Fil	
151659	7-31	Screw, 6-40 x 1/2 Fil	
151660	7-10	Screw, 6-40 x 7/8 Fil	
151661	7-20	Screw, 6-40 x 1 Fil	
151667	7-23	Roller	
151668	7-22,-23	Roller	
151669	7-23	Stud	

Table 7-1. Automatic Send-Receive Typing Unit (LP) - Continued

Part Number	Figure Number(s)	Description	Notes
151670	7-23	Bracket	
151676	7-23	Shim, 0.010 In. Thk	
151683	7-35	Type Box Assembly, RE	
151685	7-7,-15,-16,-18, -19,-20,-38	Screw, 4-40 x 5/16 Fil	
151686	7-2,-20,-27	Screw, 4-40 x 3/8 Fil	
151687	7-28,-38	Screw, 4-40 x 7/16 Fil	
151688	7-16,-27,-37	Screw, 4-40 x 5/8 Fil	
151689	7-2,-16,-40,-41	Screw, 4-40 x 3/4 Fil	
151690	7-16	Screw, 10-32 x 5/16 Fil	
151692	7-1,-2,-3,-4,-18, -20,-25,-34,-37, -49	Screw, 6-40 x 3/16 Fil	
151693	7-16,-31	Screw, 6-40 x 9/16 Fil	
151695	7-34	Screw, 6-40 x 5/8 Hex	
151698	7-20	Spring, Torsion	
151700	7-20	Screw, 6-40 Shoulder	
151701	7-24,-28	Spring, Torsion	
151702	7-37	Nut, 4-40 Hex	
151703	7-2	Pin	
151709	7-34	Arm	
151713	7-4	Spring, Torsion	
151714	7-24,-28	Spring	
151715	7-26	Spring	
151721	7-7,-22	Screw, 6-40 x 3/4 Hex	
151722	7-5,-18,-20,-27, -33,-49	Screw, 6-40 x 3/16 Hex	

Table 7-1. Automatic Send-Receive Typing Unit (LP) - Continued

Part Number	Figure Number(s)	Description	Notes
151723	7-20	Screw, 10-32 x 3/8 Hex	
151731	7-11	Screw, 4-40 x 7/8 Fil	
151732	7-16,-28	Screw, 4-40 x 11/32 Fil	
151734	7-15	Screw, 4-40 x 3/8 Hex	
151735	7-28	Screw, 4-40 x 5/16 Hex	
151736	7-16,-17	Spring	
151737	7-16	Screw, 4-40 x 11/64 Hex	
151738	7-35	Screw, Identification	
151739	7-37	Screw, Identification	
151794	7-17	Washer, Spring	
151797	7-42	Cable	
151799	7-45	Modification Kit	
151819	7-27	Jumper, 3 In. Black	
151880	7-15,-20	Nut, 4-40 Hex	
151930	7-35	Type Box Assembly, RA	
151935	7-31	Type Box Assembly, RC	
151937	7-35	Type Box Assembly, RD	
151938	7-35	Type Box Assembly, RN	
152089	7-39	Latch	
152121	7-39	Lever, Function	
152127	7-36	Clip	
152129	7-34	Spring	
152140	7-3	Bail	
152147	7-15	Bail, Ball	

Table 7-1. Automatic Send-Receive Typing Unit (LP) - Continued

Part Number	Figure Number(s)	Description	Notes
152254	7-12,-15,-21	Wick, Felt	
152255	7-32	Bar w/Retainer	
152256	7-32	Code Bar	
152257	7-32	Spring	
152298	7-39	Lever, Function	
152299	7-39	Lever, Function	
152350	7-46	Modification Kit	
152357	7-39	Stud	
152359	7-3,-6	Arm	
152360	7-6	Sleeve	
152400	7-24	Plate, Selector Mounting	
152401	7-24,-28	Guide	
152402	7-24,-28	Guide, Selector Lever	
152403	7-24	Bracket, Guide	
152404	7-24,-28	Bracket, Spring	
152406	7-24,-28	Bracket, Spring	
152407	7-24,-28	Locklever, Spacing	
152409	7-24,-28	Lever, Selecting	
152410	7-24,-28	Bail, Reset	
152411	7-24,-28	Lever, Push	
152412	7-24	Link	
152413	7-26	Bracket	
152415	7-27	Stud, Adjusting	
152420	7-27	Laminating, Magnet	

Table 7-1. Automatic Send-Receive Typing Unit (LP) - Continued

Part Number	Figure Number(s)	Description	Notes
152421	7-27	Bracket, Shield Mounting	
152422	7-26	Armature	
152423	7-27	Bracket, Armature Stop Mtg	
152424	7-26	Plate, Stop	
152425	7-27	Post, Spring	
152426	7-27	Nut, 6-32 Self-Locking	
152427	7-24	Latch w/Hub	
152429	7-24	Rack, Sector	
152432	7-24	Arm, Stop	
152434	7-25	Plate	
152435	7-25	Stud	
152436	7-24	Knob, Range Scale	
152437	7-25	Spacer, 0.125 In. Thk	
152438	7-24	Bail, Stop Arm	
152439	7-25	Shaft	
152440	7-25	Bushing	
152441	7-24	Washer, Flat	
152445	7-24	Spring, Compression	
152447	7-16	Shaft	
152450	7-16	Cam, Selector	
152453	7-16	Clutch Assembly, Selector Cam	
152456	7-22	Holder, Wick	
152457	7-22	Wick, Felt	
152458	7-26,-27	Shield, Terminal	

Table 7-1. Automatic Send-Receive Typing Unit (LP) - Continued

Part Number	Figure Number(s)	Description	Notes
152461	7-27	Bracket	
152462	7-27,-47	Latch, Right	
152463	7-27,-47	Latch, left	
152464	7-27	Insulator, 0.063 In. Thk	
152467	7-27,-47	Connector, 20-Pt Receptacle	
152468	7-27	Cable w/Terminals	
152501	7-14	Guide, Ribbon	
152502	7-14,-15	Modification Kit	
152503	7-14	Link	
152507	7-20	Roller, Detent	
152508	7-20	Bracket, Right	
152509	7-20	Bracket, Left	
152510	7-20	Lever, Detent	
152511	7-20	Guide	
152514	7-3	Bail	
152515	7-3	Lever, Space Trip	
152516	7-3	Slide	
152517	7-18	Arm, Trip lever	
152518	7-3	Bail	
152521	7-20	Slide	
152523	7-30,-31	Spring	
152524	7-30,-31	Bracket	
152525	7-30,-31	Hub	
152526	7-30	Plate, Right	

Table 7-1. Automatic Send-Receive Typing Unit (LP) - Continued

Part Number	Figure Number(s)	Description	Notes
152527	7-31	Plate, Left	
152528	7-31	Ratchet, Left Ribbon	
152529	7-30	Ratchet, Right Ribbon	
152536	7-20	Bail	
152537	7-16	Clamp	
152538	7-20	Plate, Front	
152539	7-2	Guide	
152541	7-13	Arm, Left	
152542	7-14	Arm, Right	
152543	7-8	Link	
152545	7-3	Lever	
152547	7-37	Shaft	
152548	7-32	Shiftbar	
152549	7-33	Code Bar	
152550	7-12	Clamp	
152551	7-32	Code Bar, No. 4 and No. 5	
152552	7-32	Code Bar, No. 3	
152554	7-33	Code Bar, LF and CR	
152555	7-8	Shaft	
152559	7-35	Plate, Front Pallet Box	
152563	7-3	Bracket	
152569	7-21	Linkage	
152570	7-21	Linkage	
152571	7-32	Spacer, 0.250 In. Thk	

Table 7-1. Automatic Send-Receive Typing Unit (LP) - Continued

Part Number	Figure Number (s)	Description	Notes
152572	7-32	Bracket	
152573	7-16	Retainer	
152574	7-32	Plate	
152575	7-32	Bracket	
152576	7-32	Bracket	
152579	7-20	Track	
152582	7-31	Shaft	
152583	7-22	Bearing, Sleeve	
152584	7-22	Lever	
152585	7-22	Lever	
152586	7-20	Bracket	
152587	7-19	Drum, Spacing	
152588	7-19	Arm	
152589	7-12	Clamp	
152590	7-19	Lever, Cutout	
152591	7-19	Arm, Automatic CR and LF	
152592	7-20	Guide	
152593	7-15	Housing, Bearing	
152595	7-20	Slide	
152596	7-20	Slide, Shift	
152598	7-21	Plate, Left	
152599	7-21	Plate, Right	
152606	7-20	Rail Assembly, Oscillating	
152614	7-20	Track Assembly	

Table 7-1. Automatic Send-Receive Typing Unit (LP) - Continued

Part Number	Figure Number(s)	Description	Notes
152616	7-17	Clutch Assembly, Function	
152626	7-36	Bracket, Left	
152627	7-36	Bracket, Right	
152629	7-30,-31	Washer, Friction	
152630	7-30,-31	Shaft, Ribbon Spool	
152633	7-38	Plate, Mounting	
152634	7-20	Washer, Flat	
152635	7-22	Lever, No. 1 Transfer	
152636	7-22	Lever, No. 2 Transfer	
152637	7-22	Lever, No. 3 Transfer	
152638	7-22	Lever, No. 4 Transfer	
152639	7-22	Lever, No. 5 Transfer	
152640	7-22	Lever, No. 6 Transfer	
152641	7-39	Lever, Function	
152642	7-39	Lever, Function	
152643	7-36	Guide	
152644	7-31	Bracket	
152646	7-31	Lever, Left Reversing	
152647	7-30	Lever, Right Reversing	
152648	7-30	Stud	
152651	7-37	Guideplate	
152652	7-37	Bar, Guide	
152653	7-39	Pawl, Function	
152654	7-38	Guideplate	

Table 7-1. Automatic Send-Receive Typing Unit (LP) - Continued

Part Number	Figure Number(s)	Description	Notes
152655	7-38	Plate, Adjusting	
152656	7-38	Stud	
152658	7-38	Plate	
152659	7-39	Lever, Function	
152660	7-39	Plate, Spring	
152662	7-22	Shaft	
152663	7-22	Guide	
152665 thru 152704	7-43,-44	Bar, Function	
152708	7-4,-46	Locklever, Keyboard	
152711	7-4	Bracket	
152716	7-8	Bail	
152717	7-17	Arm	
152721	7-33	Code Bar	
152723	7-2	Spring	
152724	7-21	Spring	
152725	7-2	Spring	
152726	7-18	Bushing	
152742	7-35	Type Box Assembly, RG	
152752	7-35	Type Box Assembly, RH	
152818	7-31	Lever, Left Detent	
152819	7-30	Lever, Right Detent	
152820	7-31	Lever, Left Feed	
152821	7-30	Lever, Right Feed	

Table 7-1. Automatic Send-Receive Typing Unit (LP) - Continued

Part Number	Figure Number(s)	Description	Notes
152823	7-31	Bracket, Left	
152824	7-30	Bracket, Right	
152826	7-30,-31	Pin, Detent	
152827	7-31	Bracket, Left Spool	
152828	7-30	Bracket, Right Spool	
152831	7-1	Clip	
152832	7-2	Shaft	
152834	7-30,-31	Spring, Torsion	
152871	7-11	Spring	
152881	7-35	Type Box Assembly, RB	
152887	7-16,-17	Screw, 4-40 x 1/2 Hex	
152888	7-17	Screw, 4-40 x 7/16 Hex	
152889	7-37	Plate, Retaining	
152890	7-20,-28	Washer, Flat	
152891	7-24,-28,-32	Spring	
152893	7-3,-5 thru -7, -10,-12,-23,-24, -28,-37	Screw, 4-40 x 1/4 Hex	
152896	7-42	Cable	
152897	7-25	Guide, Bail Lever	
152927	7-6	Bushing	
152937	7-6	Plate	
152938	7-6	Spacer, 0.125 In. Thk	
152943	7-6	Screw, 10-32 Spl	
152985	7-6	Bail	

Table 7-1. Automatic Send-Receive Typing Unit (LP) - Continued

Part Number	Figure Number (s)	Description	Notes
153071	7-38	Slide	
153073	7-38	Link	
153074	7-38	Link	
153084	7-38	Spacer, 0.260 In. Thk	
153139	7-35	Type Box Assembly, RJ	
153158	7-6	Plate, Nut	
153160 thru 153169	7-43,-44	Bar, Function	
153172	7-20	Spring	
153173	7-20	Plate, Clamp	
153174	7-20	Link, Left	
153175	7-20	Link, Right	
153180	7-20	Link, Right	
153181	7-20	Link, Left	
153183	7-20	Slide	
153184	7-27	Post	
153185	7-6	Gear, 30T	
153188	7-6	Screw, 6-40 Shoulder	
153189	7-6	Spring, Compression	
153190	7-6	Arm	
153191	7-6	Pointer	
153192	7-6	Spring, Torsion	
153193	7-6	Lever	
153194	7-6	Bail	

Table 7-1. Automatic Send-Receive Typing Unit (LP) - Continued

Part Number	Figure Number(s)	Description	Notes
153196	7-6	Handwheel	
153235	7-16	Plate	
153236	7-16	Gear, 42T	
153255	7-3	Bail	
153256	7-20	Bracket	
153291	7-37	Arm	
153292	7-16	Plate	
153293	7-16	Spacer, Clutch	
153294	7-37	Cam	
153295	7-37	Shaft	
153296	7-16	Eccentric	
153298	7-37	Bracket, Right	
153299	7-37	Bracket, Left	
153300	7-16	Arm	
153301	7-37	Arm	
153302	7-37	Blade, Stripper	
153303	7-37	Slide, Stripper	
153304	7-1	Bushing, Shoulder	
153305	7-3	Spring, Torsion	
153310	7-3	Bail	
153311	7-3	Arm	
153312	7-1	Lever	
153314	7-3,-46	Bracket	
153315	7-32	Bracket	

Table 7-1. Automatic Send-Receive Typing Unit (LP) - Continued

Part Number	Figure Number(s)	Description	Notes
153317	7-4	Bracket	
153318	7-37	Shaft	
153319	7-32	Code Bar	
153321	7-32	Bracket, Tie	
153322	7-37	Guide	
153323	7-16	Ring, Spacer	
153335	7-20	Plate	
153337	7-20	Bushing	
153340	7-20	Spring, Left Torsion	
153341	7-20	Spring, Right Torsion	
153367	7-18	Arm	
153368	7-18	Bail, Follower	
153382	7-3	Bail, Transfer	
153383	7-3	Arm, Bail Extension	
153409 thru 153435	7-43,-44	Bar, Function	
153436	7-43,-44	Bar, Function	
153437	7-43,-44	Bar, Function	
153438	7-43,-44	Bar, Function	
153440	7-43,-44	Bar, Function	
153442	7-7	Screw, 10-32 x 1/2 Hex	
153489	7-24	Detent	
153491	7-25	Plate	
153508	7-35	Type Box Assembly, RS	

Table 7-1. Automatic Send-Receive Typing Unit (LP) - Continued

Part Number	Figure Number(s)	Description	Notes
153510	7-35	Type Box Assembly, RU	
153513	7-35	Type Box Assembly, RW	
153514	7-35	Type Box Assembly, RY	
153516	7-35	Type Box Assembly, RZ	
153518	7-35	Type Box Assembly, WA	
153520 thru 153528	7-43,-44	Bar, Function	
153529	7-44	Bar, Function	
153530	7-14,-15	Plate	
153531	7-15	Plate, Adjusting	
153532	7-15	Screw, 4-40 Adjusting	
153534	7-50	Washer, Flat	
153550	7-7	Link	
153553	7-7	Roller	
153554	7-9	Bracket w/Stud	
153558	7-7	Link	
153560	7-9	Shaft	
153562	7-9	Shaft	
153566	7-5	Bracket	
153569	7-5,-18	Arm, Trip	
153570	7-5	Arm, Suppression	
153573	7-7,-9	Bail	
153574	7-9	Roller	
153576	7-16	Cam, Function	

Table 7-1. Automatic Send-Receive Typing Unit (LP) - Continued

Part Number	Figure Number(s)	Description	Notes
153577	7-7	Washer, Felt	
153579	7-9	Bracket, Spring	
153580	7-9	Cam	
153581	7-37	Handle	
153582	7-3	Screw, 6-40 Shoulder	
153583	7-18	Lever, Trip	
153584	7-18	Lever, Latch	
153585	7-9	Clamp	
153586	7-1	Guide	
153587	7-1	Guide	
153593	7-42	Cable	
153596	7-34	Fork w/Post	
153598	7-39	Pawl, Function	
153600	7-32	Bracket, Spring	
153601	7-37	Bushing, Shoulder	
153602	7-37	Plate	
153603	7-33	Nut, 6-40 Spl	
153604	7-39	Pawl, Function	
153605	7-33	Bracket	
153606	7-37	Slide, Blocking	
153608	7-38	Fork	
153609	7-38	Roller	
153634	7-2	Collar	
153643	7-38	Slide	

Table 7-1. Automatic Send-Receive Typing Unit (LP) - Continued

Part Number	Figure Number(s)	Description	Notes
153644	7-38	Stud	
153645	7-38	Guideplate	
153646	7-38	Bushing	
153647	7-38	Plate	
153652 thru 153667	7-48	Guide, Form	
153670	7-39	Lever, Function	
153676	7-10,-50	Bail, Detent	
153678	7-10	Bracket w/Shaft	
153682	7-10	Bracket, Right	
153683	7-10,-49	Bracket, Left	
153685	7-10	Arm w/Hub	
153686	7-10	Bearing, Right	
153687	7-10	Bearing, Left	
153689	7-10	Gear, 33T	
153690	7-10	Gear, 28T	
153692	7-10	Gear, 33T	
153695	7-10	Pin	
153696	7-10	Spring	
153697	7-10	Bracket	
153698	7-10	Cam, Feed	
153699	7-10,-48	Cam, Feed	
153700	7-10	Hub, Platen	
153721	7-48	Arm	

Table 7-1. Automatic Send-Receive Typing Unit (LP) - Continued

Part Number	Figure Number(s)	Description	Notes
153722	7-48	Arm	
153751 thru 153767	7-10	Platen, Rubber	
153771 thru 153788	7-48	Guide, Bracket	
153791	7-10	Shaft	
153794	7-10	Plate, Adjusting	
153795	7-38	Slide	
153799	7-10,-16,-28	Screw, 4-40 x 21/64 Hex	
153800	7-28	Cam	
153806	7-18	Spring	
153810	7-15	Guide, Ribbon	
153815	7-16	Clutch Assembly, Function	
153817	7-20	Screw, 4-40 x 3/8 Hex	
153819	7-32	Lockwasher	
153820	7-34	Frame, Printing Carriage	
153823	7-16	Collar	
153824	7-16	Clamp	
153838	7-37	Shaft	
153839	7-7,-10,-15,-18, -27	Screw, 6-40 x 5/8 Hex	
153841	7-12	Screw, 6-40 x 9/16 Hex	
153883	7-17	Gear, 33T	
153904	7-24	Modification Kit	
153906	7-3	Modification Kit	

Table 7-1. Automatic Send-Receive Typing Unit (LP) - Continued

Part Number	Figure Number(s)	Description	Notes
153914	7-19	Modification Kit	
153919	7-47	Modification Kit	
153946	7-20	Modification Kit	
153947	7-20	Modification Kit	
153949	7-27	Modification Kit	
153975	7-42	Cable	
154127	7-52	Nut, 6-40 Hex	
154253	7-20	Stud	
154290	7-10,-48	O-Ring	
154310	7-19	Spring	
154320	7-10	Finger, Left Paper	
154332	7-30,-31	Shaft	
154333	7-30,-31	Roller	
154334	7-27,-28	Modification Kit	
154335	7-5	Screw, 6-40 x 9/32 Fil	
154354	7-20	Slide	
154356	7-15	Bail	
154358	7-10,-48,-49	Hub, Platen	
154380	7-32	Bracket w/Post	
154389	7-20	Cam, Eccentric	
154394	7-32	Post, Spring	
154519	7-10	Lever, Latch	
154613	7-39	Latch	
154614	7-17	Cam, Spacing	

Table 7-1. Automatic Send-Receive Typing Unit (LP) - Continued

Part Number	Figure Number(s)	Description	Notes
154620	7-24,-28	Wick, Lubricating	
154621	7-24,-28	Retainer, Wick	
154622	7-24,-28	Lubricator	
154623	7-19	Ring, Retaining	
154624	7-19	Ring w/Roller	
154626	7-19	Ring	
154627	7-19	Drum, Spacing	
154638	7-34	Spring	
154639	7-38	Slide	
154642	7-38	Slide	
154643	7-35	Type Box Assembly, RV	
154645	7-7	Spacer	
154646	7-39	Lever, Function	
154647	7-39	Lever, Function	
154649	7-46	Arm	
154650	7-32	Clip	
154666 thru 154669	7-37	Shaft	
154688	7-7	Spring	
154691	7-37	Clip	
154692	7-37	Clip	
154694	7-16	Disk, Clutch Cam	
154723	7-24	Modification Kit	
154789	7-7	Modification Kit	

Table 7-1. Automatic Send-Receive Typing Unit (LP) - Continued

Part Number	Figure Number(s)	Description	Notes
154872	7-1,-47	Bracket	
155000	7-42	Cable	
155041	7-3	Plate	
155042	7-3	Bracket	
155044	7-16	Spacer	
155047	7-16	Disk	
155049	7-42	Cable	
155060	7-37	Slide, Stripper	
155061	7-37	Blade, Stripper	
155066	7-42	Cable	
155071 thru 155077	7-37	Shaft	
155081	7-20	Post, Spring	
155090	7-27,-28	Lubricator Assembly	
155096	7-24	Plate, Range Finder	
155099	7-37	Screw, 6-40 Shoulder	
155100 thru 155135	7-43,-44	Bar, Function	
155141 thru 155145	7-43,-44	Bar, Function	
155159	7-43,-44	Bar, Function	
155176 thru 155180	7-43,-44	Bar, Function	
155191 thru 155219	7-43,-44	Bar, Function	

Table 7-1. Automatic Send-Receive Typing Unit (LP) - Continued

Part Number	Figure Number(s)	Description	Notes
155246	7-43,-44	Bar, Function	
155247	7-43,-44	Bar, Function	
155248 thru 155250	7-43,-44	Bar, Function	
155286 thru 155290	7-43,-44	Bar, Function	
155294	7-43,-44	Bar, Function	
155296 thru 155300	7-43,-44	Bar, Function	
155306	7-43,-44	Bar, Function	
155307	7-43,-44	Bar, Function	
155311 thru 155315	7-43,-44	Bar, Function	
155326 thru 155330	7-43,-44	Bar, Function	
155336 thru 155340	7-43,-44	Bar, Function	
155366 thru 155370	7-43,-44	Bar, Function	
155497	7-35	Type Box Assembly, XK	
155565	7-10	Arm, Right	
155566	7-10,-49	Arm, Left	
155586	7-22	Bracket	
155587	7-22	Link w/Stud	

Table 7-1. Automatic Send-Receive Typing Unit (LP) - Continued

Part Number	Figure Number(s)	Description	Notes
155589	7-22	Plate w/Stud	
155693	7-35	Type Box Assembly, WP	
155697	7-35	Type Box Assembly, WV	
155699	7-35	Type Box Assembly, WX	
155701	7-35	Type Box Assembly, WY	
155703	7-35	Type Box Assembly, XA	
155704	7-35	Type Box Assembly, XC	
155705	7-35	Type Box Assembly, XD	
155706	7-35	Type Box Assembly, XE	
155707	7-35	Type Box Assembly, XF	
155708	7-35	Type Box Assembly, XG	
155709	7-35	Type Box Assembly, XH	
155710	7-35	Type Box Assembly, XJ	
155713	7-39	Clip	
155736	7-39	Lever, Function	
155737	7-39	Lever, Function	
155738	7-39	Bail, Blocking	
155749	7-42	Cable	
155750	7-37	Sleeve, 3/32 ID x 1/2 In. Lg Insulating	
155751	7-27,-37	Sleeve, 1/8 ID x 1 In. Lg Insulating	
155752	7-37	Sleeve, 5/64 ID x 1/2 In. Lg Insulating	
155753	7-24,-26,-27,-29	Sleeve, 1/8 ID x 1/2 In. Lg Insulating	

Table 7-1. Automatic Send-Receive Typing Unit (LP) - Continued

Part Number	Figure Number(s)	Description	Notes
155754	7-37	Sleeve, 1/64 ID x 1/2 In. Lg Insulating	
155755	7-37	Sleeve, 11/64 ID x 5/8 In. Lg Insulating	
155767	7-38	Slide	
155784	7-42	Cable	
155796	7-22	Shaft	
155864	7-7	Shaft, Cam	
155865	7-7	Stud	
155896	7-10	Finger, Left Paper	
155897	7-10	Finger, Right Paper	
155913	7-41	Block, Contact	
155915	7-41	Plate, Contact	
155916	7-41	Plate, Contact	
155917 thru 155925	7-41	Switch Assembly	
155933	7-38	Guideplate	
155934	7-38	Plate	
155935	7-38	Fork w/Post	
155936	7-38	Fork w/Post	
155937	7-38	Fork w/Post	
155938	7-38	Slide	
155939	7-38	Slide	
155940	7-38	Slide	
155941	7-38	Slide	

Table 7-1. Automatic Send-Receive Typing Unit (LP) - Continued

Part Number	Figure Number(s)	Description	Notes
155942	7-38	Slide	
155946	7-38	Slide	
155948	7-38	Slide	
156093	7-11	Washer, Felt	
156450	7-6	Screw, 2-56 x 1/2 Fil	
156501	7-1	Screw, 6-40 x 7/32 Fil	
156536	7-24,-28	Screw, 4-40 x 1/8 Fil	
156572	7-34	Washer, Felt	
156632	7-19	Screw, 6-40 x 13/32 Hex	
157000	7-35	Type Box Assembly, WB	
157001	7-35	Type Box Assembly, WC	
157002	7-35	Type Box Assembly, WD	
157003	7-35	Type Box Assembly, WE	
157004	7-35	Type Box Assembly, WF	
157007	7-35	Type Box Assembly, WG	
157009	7-35	Type Box Assembly, WH	
157011	7-35	Type Box Assembly, WJ	
157013	7-35	Type Box Assembly, WK	
157015	7-35	Type Box Assembly, WL	
157017	7-35	Type Box Assembly, WM	
157018	7-35	Type Box Assembly, WN	
157030	7-35	Type Box Assembly, WT	
157047	7-5	Lever	
157049	7-5	Pin	

Table 7-1. Automatic Send-Receive Typing Unit (LP) - Continued

Part Number	Figure Number(s)	Description	Notes
157070 thru 157100	7-41	Switch Assembly	
157101 thru 157106	7-42	Cable	
157151	7-47	Bracket, Connector	
157164	7-38	Slide	
157194	7-27	Retainer, Spring	
157200	7-39	Spring	
157205	7-39	Lever, Function	
157206	7-39	Lever, Function	
157207	7-39	Lever, Function	
157237	7-27	Shield, Terminal	
157238	7-35	Spring	
157240	7-39	Spring	
157241	7-7	Bracket, Roller	
157243	7-38	Plate	
157246	7-37	Bracket	
157247	7-37	Bar w/Post	
157258	7-37	Bar w/Post	
157261	7-24	Shaft, Stop Arm	
157269	7-42	Cable	
157273	7-27,-42	Connector, 35-Pt Plug	
157274	7-37	Clip	
157275	7-37	Clip, Spring	

Table 7-1. Automatic Send-Receive Typing Unit (LP) - Continued

Part Number	Figure Number(s)	Description	Notes
157286	7-10	Clamp, Platen	
157289	7-2	Crossbar	
157290	7-2	Bail, Pressure	
157291	7-2	Guide, Rear Paper	
157398	7-37	Bar w/Post	
157505	7-17	Clutch Assembly, Spacing	
157506	7-16	Clutch Assembly, Line-Feed	
157514	7-51	Modification Kit	
157847	7-38	Bracket, Spring	
157849	7-38	Lever	
157850	7-38	Lever	
157851	7-38	Plate, Spring	
157852	7-38	Arm	
157854	7-38	Plate	
157855	7-38	Guideplate	
157884	7-41	Block, Contact	
157887	7-40,-41	Arm, NO Contact	
157889	7-41	Spring, NO Contact	
157890 thru 157893	7-41	Plate, Contact	
157899	7-40,-41	Arm, NC Contact	
157972	7-20,-55	Bellcrank	
157973	7-51	Extension, Transfer	
157975	7-42	Cable	

Table 7-1. Automatic Send-Receive Typing Unit (LP) - Continued

Part Number	Figure Number(s)	Description	Notes
157979	7-31	Link, Toggle	
157990	7-3	Bracket w/Bearing	
157991	7-3	Stud	
158335	7-20	Stud	
158352	7-18	Bail, Trip	
158353	7-18	Bail, Stop	
158354	7-18	Arm, Extension	
158365	7-7	Blade, Reset	
158777	7-28	Holder, Screw	
159341	7-12,-16	Bearing, Ball	
159356	7-10	Modification Kit	
160180	7-27	Armature w/Extension	
160182	7-27	Bracket w/Button	
160184	7-27	Plate, Stop	
160186	7-27	Bushing, Shoulder	
160192 thru 160220	7-41	Switch Assembly	
160572	7-37	Slide, Stripper	
160573	7-37	Blade, Stripper	
160576	7-37	Slide, Stripper	
160577	7-37	Blade, Stripper	
160650	7-42	Cable	
160755	7-35	Type Box Assembly, XM	
160843	7-18	Spring	

Table 7-1. Automatic Send-Receive Typing Unit (LP) - Continued

Part Number	Figure Number(s)	Description	Notes
160844	7-35	Type Box Assembly, XN	
160994	7-20	Pad, Top Middle Door	
160999	7-35	Type Box Assembly, XP	
161081	7-35	Type Box Assembly, YG	
161082	7-42	Cable	
161134	7-32	Bracket, Spring	
161342	7-24,-28	Lever, Start	
161346	7-30,-31	Washer, Felt	
161347	7-7,-9,-20,-21	Washer, Felt	
161362	7-35	Type Box Assembly, XR	
161363	7-35	Type Box Assembly, XS	
161364	7-35	Type Box Assembly, XT	
161365	7-35	Type Box Assembly, XU	
161649	7-39	Lever, Function	
161686	7-43	Tool, Tine	
161769	7-35	Type Box Assembly, XW	
162056	7-35	Type Box Assembly, XZ	
162058	7-35	Type Box Assembly, YA	
162059	7-39	Lever, Function	
162298	7-38	Slide	
162484	7-39	Lever, Function	
162488	7-22	Modification Kit	
162539	7-35	Type Box Assembly, YB	
162573	7-16	Retainer	

Table 7-1. Automatic Send-Receive Typing Unit (LP) - Continued

Part Number	Figure Number(s)	Description	Notes
162605	7-35	Type Box Assembly, YF	
162636 thru 162640	7-43,-44	Bar, Function	
162728	7-3	Arm	
162729	7-3,-6,-46	Bar, Guide	
162765	7-28	Bracket	
163162	7-42	Cable	
163250	7-5	Pin	
163271	7-39	Lever, Function	
163295	7-35	Type Box Assembly, YC	
163459	7-16	Gear, 66T	
163503	7-16	Gear, 26T	
163590	7-16	Gear, 60T	
163943	7-39	Lever w/Pin, Function	
163944	7-39	Lever, Function	
163947	7-50	Modification Kit	
163948	7-50,-52	Gear, 28T	
163949	7-50,-52	Bushing	
163951	7-50	Gear w/Shaft, 28T	
163954	7-50	Handwheel	
163955	7-50	Arm w/Hub and Stud	
163956	7-50	Lever	
163957	7-50,-52	Lever	
163958	7-50,-52	Washer, Flat	

Table 7-1. Automatic Send-Receive Typing Unit (LP) - Continued

Part Number	Figure Number(s)	Description	Notes
163959	7-50,-52	Spring, Torsion	
163960	7-50,-52	Bushing	
163968	7-42	Cable	
164311	7-39	Lever, Function	
164313	7-34	Bracket	
164314	7-20	Plate	
164316	7-20	Plate, Clamp	
164348	7-35	Type Box Assembly, YK	
164386	7-27	Bracket, Magnet	
164498	7-35	Type Box Assembly, YL	
164586	7-35	Type Box Assembly, YE	
164958	7-28	Screw, 4-40 x 1/2 Hex	
170000	7-1	Frame, Right Side	
170062	7-20	Bail	
170063	7-20	Lever	
170066	7-32	Code Bar	
170067	7-16	Washer, Spacing	
170079	7-20	Arm w/Hub	
170118	7-22	Bracket	
170123	7-22	Bracket, Retaining	
170164	7-35	Type Box Assembly, TA	
171954	7-28	Connector, Blue Shielding	
172500 thru 172536	7-40	Switch Assembly	

Table 7-1. Automatic Send-Receive Typing Unit (LP) - Continued

Part Number	Figure Number(s)	Description	Notes
172538 thru 172590	7-40	Switch Assembly	
172591	7-40	Spring, Contact Arm	
172593	7-40	Plate, Contact	
172594	7-40	Plate, Contact	
172595	7-40	Plate, Contact	
172596	7-40	Plate, Contact	
172597	7-40	Block, Contact	
172599	7-40	Block, Contact	
172600 thru 172608	7-40	Switch Assembly	
172618	7-40	Plate, Contact	
172619	7-40	Plate, Contact	
172723	7-35	Type Box Assembly, YM	
173141	7-39	Lever, Function	
173450	7-27	Cable w/Terminals	
173578	7-35	Type Box Assembly, YZ	
173698	7-27,-42	Cable Assembly	
173803	7-35	Type Box Assembly, YD	
173882	7-5	Stud	
173883	7-5	Bracket, Mounting	
174086	7-35	Type Box Assembly, TB	
174479	7-38	Slide	
174480	7-38	Slide	

Table 7-1. Automatic Send-Receive Typing Unit (LP) - Continued

Part Number	Figure Number(s)	Description	Notes
174482	7-39	Lever	
174483	7-39	Lever	
174484	7-39	Lever	
176181 thru 176197	7-48	Modification Kit	
176221 thru 176237	7-48,-49	Platen, Rubber	
176238	7-48	Platen, Rubber	
176246	7-39	Bail, Blocking	
176247	7-39	Bail, Blocking	
176642	7-37	Clip, Spring	
176651	7-35	Type Box Assembly, YP	
176909	7-1	Frame, Left Side	
176910	7-1	Frame, Right Side	
176911 thru 176914	7-49	Guide w/Pins, Paper	
176918	7-16	Shaft	
177044	7-50,-52	Template	
177081	7-6	Gear, 68T	
177082	7-6	Disk	
177083	7-5	Yoke	
177084	7-6	Lever	
177089	7-35	Type Box Assembly, YR	
178185	7-6	Bracket w/Studs	

Table 7-1. Automatic Send-Receive Typing Unit (LP) - Continued

Part Number	Figure Number(s)	Description	Notes
178187	7-6	Disk	
178188	7-5	Lever	
178189	7-5	Armature	
178190	7-5	Extension, Armature	
178358	7-5	Modification Kit	
178359	7-5	Bracket	
178551 thru 178567	7-49	Guide, Form	
178568 thru 178584	7-49	Modification Kit	
178724	7-35	Type Box Assembly, YS	
178764	7-16	Gear, 26T	
178809	7-35	Type Box Assembly, YT	
178852	7-35	Type Box Assembly, YU	
179057	7-35	Type Box Assembly, YV	
179199	7-52	Lever	
179396	7-35	Plate, Type Box Front	
179397	7-35	Plate, Type Box Rear	
179451	7-20	Plate, Right	
179452	7-20	Plate, Left	
179481	7-38	Slide	
179666	7-35	Type Box Assembly, YW	
179814	7-35	Type Box Assembly, TD	
179999	7-30,-31	Bail, Spring	

Table 7-1. Automatic Send-Receive Typing Unit (LP) - Continued

Part Number	Figure Number(s)	Description	Notes
180860	7-18	Spring	
181284	7-16	Spring	
183104	7-12,-15	Spring	
192518	7-32	Code Bar, Suppression	
192566	7-20	Link, Left Drive	
192567	7-20	Link, Right Drive	
192707	7-7	Bail Assembly, Function	
193655	7-39	Lever, Function	
193803	7-35	Type Box Assembly, AB	
193858	7-1	Frame, Left Side	
193937	7-38	Plate, Shift	
193938	7-37	Slide, Blocking	
194026	7-35	Type Box Assembly, AC	
194027	7-35	Type Box Assembly, AD	
194054	7-35	Modification Kit	
194144	7-16	Clutch Assembly, Spacing	
194152	7-16	Plate, Clamp	
194155	7-10	Set of Parts	
194414	7-39	Lever	
194929	7-35	Type Box Assembly, AE	
195009	7-35	Typebox Assembly, AF	
195016	7-39	Pawl Assembly	
195109	7-37	Plate, Stop	
195218	7-35	Type Box Assembly, AG	

Table 7-1. Automatic Send-Receive Typing Unit (LP) - Continued

Part Number	Figure Number(s)	Description	Notes
195251	7-27	Armature, Selector	
195266	7-37	Modification Kit	
195461	7-35	Type Box Assembly, AH	
195634	7-27	Modification Kit	
195855	7-10,-48	Pin, Sprocket Feed	
195980	7-39	Spring	
195996	7-16	Gear, 63T	
197713	7-35	Type Box Assembly, AK	
197857	7-52	Gear, 34T	
197958	7-52	Gear w/Shaft, 37T	
199410	7-20	Arm	
199437	7-16	Cam	
199438	7-16	Hub	
199439	7-16	Bearing	
199440	7-16	Screw, 6-40 x 5/8 Fil	
199518	7-44	Bar, Function	
199519	7-44	Bar, Function	
199898	7-35	Type Box Assembly, AL	
304395	7-20	Spring	
304396	7-52	Plate, Stop	
304463	7-37	Slide, Stripper	
304464	7-37	Blade w/Stud	
304465	7-37	Blade, Stripper	
304740	7-30	Head, Print Hammer	

Table 7-1. Automatic Send-Receive Typing Unit (LP) - Continued

Part Number	Figure Number(s)	Description	Notes
304772 thru 304775	7-48	Guide, Paper	
305022	7-48	Shaft	
305023	7-48	Lock, Shaft	
305024	7-48	Arm, Right	
305025	7-48	Retainer, Platen Hub	
305026	7-48	Hub, Right Platen	
305027	7-48	Arm, Right	
305028	7-48	Guide, Paper	
305031	7-52	Gear w/Shaft, 28T	
305033	7-52	Handwheel	
305034	7-52	Arm w/Hub	
305035	7-52	Modification Kit	
305036	7-52	Modification Kit	
305059	7-48	Guide, 6-1/2 In. Form	
305541	7-37	Slide, Stripper	
305687	7-39	Stud, Threaded	
306755	7-27,-28	Locklever, Marking	
307065	7-52	Modification Kit	
307289	7-52	Lever	
310733	7-48	Modification Kit	
311691	7-28	Bushing, Shoulder	
311692	7-28	Decal	
311718	7-28	Bushing, Shoulder	

Table 7-1. Automatic Send-Receive Typing Unit (LP) - Continued

Part Number	Figure Number(s)	Description	Notes
319200	7-29	Set of Parts	
319202	7-28	Insulator	
319204	7-28	Selector Assembly	
319205	7-28	Selector Assembly	
319207	7-28	Cover	
319208	7-28	Post	
319209	7-28	Plate, Nut	
319210	7-28	Magnet Assembly (Series)	
319211	7-28	Bracket, Coil Mounting	
319212	7-28	Bracket w/Button	
319213	7-28	Bushing	
319214	7-28	Screw, 6-40 Spl	
319215	7-28	Anchor, Spring	
319216	7-28	Wedge	
319217	7-28	Screw, Adjusting	
319219	7-28	Base w/Bushing	
319220	7-28	Armature	
319221	7-28	Spring	
319223	7-28	Lamination, Magnet	
319225	7-28	Plate, Selector Mounting	
319226	7-28	Link	
319227	7-28	Link	
319228	7-28	Post	
319229	7-28	Screw, 4-40 Shoulder	

Table 7-1. Automatic Send-Receive Typing Unit (LP) - Continued

Part Number	Figure Number (s)	Description	Notes
319230	7-28	Magnet Assembly (Parallel)	
319231	7-29	Post	
319238	7-28	Nut, 12-32 Hex	
319240	7-28,-29	Cable Assembly	
319241	7-28	Washer, Captive	
319242	7-28	Bushing, Slotted	
319243	7-28	Strip, 5 In. Shielded	
319246	7-28	Bushing	
319248	7-28	Strap	
319529	7-38	Slide	
320410	7-27	Terminal, Spade Type	
321234	7-29	Bracket, Connector Mounting	
321235	7-28	Connector, 3-Pt Receptacle	
321236	7-28	Coupling, Connector	
321237	7-28	Nut, 3/8-32 Spl	
321238	7-28	Sleeve	
324142	7-28	Connector, 3-Pt Receptacle	
326007	7-10	Plate, Clamp	
336820	7-35	Type Box Assembly, BG	
343938	7-3	Arm, Slide	
343939	7-3	Bracket, Spring	
344287	7-3	Set of Parts	
344958	7-34	Spring	

Table 7-1. Automatic Send-Receive Typing Unit (LP) - Continued

Part Number	Figure Number(s)	Description	Notes
345608	7-27	Set of Parts	

Table 7-2. Automatic Send-Receive Keyboard (LAK)

Part Number	Figure Number(s)	Description	Notes
252M	7-81,-90	Coil, Magnet	
1020	7-69	Screw, 6-40 x 1/4 Hex	
1118	7-80	Screw, 6-40 Shoulder	
1163	7-80	Screw, 4-40 x 3/16 Fil	
1164	7-76	Screw, 2-56 x 3/16 Fil	
1178	7-76,-84,-85	Screw, 2-56 x 7/16 Fil	
1210	7-74	Screw, 2-56 x 5/8 Fil	
1257	7-56	Screw, 10-32 x 1-1/8 Fil	
1274	7-60	Screw, 6-40 x 1-1/8 Fil	
1293	7-71,-72	Screw, 4-40 x 1/8 Fil	
2191	7-53 thru -64, -67 thru -75, -78 thru -88, -92,-93	Lockwasher	
2415	7-63	Spring	
2422	7-74	Lockwasher	
2481	7-80,-81	Washer, Flat	
2669	7-53 thru -58, -67,	Lockwasher	
3438	7-53 thru -55	Washer, Flat	
3598	7-53,-56,-60,-61, -62,-64,-66,-67, -69,-70,-78,-80, -92,-93	Nut, 6-40 Hex	
3599	7-59,-71,-72,-74, -84,-85,-88,-93	Nut, 4-40 Hex	
3606	7-70,-74,-78,-80	Nut, 6-40 Hex	
3624	7-83	Washer, Flat	

Table 7-2. Automatic Send-Receive Keyboard (LAK) - Continued

Part Number	Figure Number(s)	Description	Notes
3639	7-53,-57	Lockwasher	
3640	7-58,-66,-70 thru -74,-78,-81,-88, -89	Lockwasher	
3646	7-91	Lockwasher	
3870	7-53,-67	Spring	
4702	7-67	Spring	
6970	7-56,	Nut, 3/8-32 Hex	
7002	7-53,-59 thru -64,-67,-71 thru -75,-78, thru -86,-88,, -93	Washer, Flat	
7603	7-70,-73	Spring	
8330	7-53,-54,-55,-56, -60,-61,-74	Washer, Flat	
8449	7-70	Spacer, 0.094 In. Thk	
22746	7-80	Spring	
31636	7-84	Spring	
35826	7-56	Washer, Flat	
36318	7-70	Washer, Flat	
41385	7-74	Spring	
41663	7-73	Washer, Flat	
41675	7-74	Washer, Flat	
41732	7-59,-73,-87,-95	Plate, Clamp	
42823	7-68,-73	Washer, Flat	
42827	7-87	Screw, 3-48 x 1/4 Fil	
45814	7-73	Lockwasher	

Table 7-2. Automatic Send-Receive Keyboard (LAK) - Continued

Part Number	Figure Number(s)	Description	Notes
49420	7-59,-63,-82	Spring	
55063	7-63	Spring	
55669	7-74	Spring	
70314	7-58	Washer, Flat	
70388	7-69	Spring	
71073	7-84,-85	Washer, Flat	
71858	7-74	Washer, Flat	
73008	7-73	Washer, Flat	
73776	7-56	Screw, 3/16-32 x 1-3/16 Fil	
74014	7-53	Screw, 10-32 x 3/4 Hex	
74727	7-78	Terminal, Contact	
74728	7-59	Terminal, Contact	
74755	7-67,-81	Washer, Felt	
74805	7-67	Screw, 10-32 x 3/4 Hex	
74807	7-73	Nut, 10-32 Shoulder Hex	
74966	7-78	Bushing, Insulating	
76081	7-63,-80	Washer, Flat	
76099	7-67	Washer, Flat	
76379	7-53	Spring	
76790	7-81	Bushing, Insulating	
76964	7-83	Pin, Cotter	
76966	7-75	Setscrew, 10-32	
77039	7-59	Bushing, Insulating	
77999	7-53	Resistor, 500 Ohm	

Table 7-2. Automatic Send-Receive Keyboard (LAK) - Continued

Part Number	Figure Number(s)	Description	Notes
78533	7-70	Spring	
78824	7-84	Spring	
80402	7-58	Screw, 4-40 x 15/32 Fil	
80581	7-69,-73	Spring	
80755	7-89	Bushing, Insulating	
81726	7-81	Terminal	
81774	7-62	Washer, Flat	
82547	7-59,-78,-81,-89	Insulator, 0.094 In. Thk	
82548	7-59,-78,-81-89	Insulator, 0.062 In. Thk	
83497	7-91	Washer, Flat	
83814	7-75	Washer, Flat	
86283	7-63	Spring	
86304	7-71,-72,-88	Spring	
86742	7-57,-70	Nut, 4-40 Hex	
86774	7-53	Screw, 6-40 Shoulder	
86835	7-87	Spring	
87398	7-87	Washer, Flat	
88891	7-81	Spring	
90573	7-73	Spring	
90679	7-70	Washer, Felt	
90791	7-71,-72,-94,-97	Lockwasher	
90951	7-84	Lockwasher	
92260	7-92	Lockwasher	
93117	7-74,-76,-83,-85	Lockwasher	

Table 7-2. Automatic Send-Receive Keyboard (LAK) - Continued

Part Number	Figure Number(s)	Description	Notes
93160	7-57,-58	Washer, Flat	
94540	7-57,-58,-86	Setscrew, 10-24	
96212BK	7-75	Jumper, 4 In. Black	
96212W	7-75	Jumper, 4 In. White	
97393	7-80	Screw, 6-40 Shoulder	
98726	7-53	Screw, 3-48 x 1/4 Fil	
101386	7-84	Spring	
102057	7-74	Screw, 4-40 Shoulder	
104564	7-58	Washer, Flat	
104710	7-66	Ball, Bearing	
104807	7-80,-83	Washer, Flat	
104827	7-54-63	Bearing Ball	
108370	7-69	Washer, Felt	
109356	7-58	Washer, Flat	
110743	7-57,-59,-65,-67, -68,-69,-71,-72, -76,-80,-83,-85, -88,-91,-93	Lockwasher	
111017	7-57,-87	Screw, 6-40 x 5/16 Fil	
111343	7-66	Clamp, Retaining	
111767	7-70	Washer, Flat	
112127	7-78	Hinge	
112128	7-78	Retainer	
112626	7-54,-55,-67,	Nut, 10-32 Hex	
112627	7-83,-85	Nut, 2-56 Hex	
112630	7-53	Spring	

Table 7-2. Automatic Send-Receive Keyboard (LAK) - Continued

Part Number	Figure Number(s)	Description	Notes
114876	7-80	Washer, Flat	
115122	7-67,-70	Washer, Felt	
115141	7-80	Screw, 6-40 Shoulder	
117416	7-67	Post	
117535	7-56,-57	Washer, Flat	
117608	7-60,-61	Nut, Speed	
119648	7-53,-64,-69,-83	Ring, Retaining	
119649	7-53,-63,-73,-74	Ring, Retaining	
119650	7-63	Ring, Retaining	
119651	7-53,-60,-61,-69, -70,-73,-84	Ring, Retaining	
119652	7-67,-80,	Ring, Retaining	
119653	7-59,-80	Ring, Retaining	
119654	7-63	Ring, Retaining	
119655	7-57,-58,	Ring, Retaining	
120489	7-69	Spacer, 0.052 In. Thk	
120827	7-68	Washer, Felt	
120870	7-69	Wick, Felt	
121125	7-81,-90	Washer, Spring	
121242	7-74,-81,-83	Clamp, 1/8 In. ID Cable	
121244	7-53,-64	clamp, 1/4 In. ID Cable	
121245	7-84	Clamp, 5/16 In. ID Cable	
121246	7-53	Clamp, 3/8 In. ID Cable	
121473	7-85	Post	
124177	7-80	Lockwasher	

Table 7-2. Automatic Send-Receive Keyboard (LAK) - Continued

Part Number	Figure Number(s)	Description	Notes
124244	7-53	Washer, Felt	
125011	7-65,-67,-70,-72, -74,-91	Washer, Flat	
125015	7-53,-56,-57,-58, -60,-61,-70,-85	Washer, Flat	
125112	7-78	Screw, 2-56 x 1/8 Fil	
125126	7-71,-72,-91	Screw, 2-56 x 9/32 Fil	
125181	7-82	Screw, 2-56 x 3/8 Fil	
125220	7-91	Nut, 8-40 Hex	
125241	7-73	Spring	
125247	7-83	Spring	
125250	7-69	Spring	
128271	7-80	Screw, 6-40 Shoulder	
130683	7-74	Lockwasher	
135563	7-92	Jumper, 2-3/4 In. Green	
139752	7-80	Screw, 4-40 x 11/64 Fil	
142623	7-79	Reel, Tape	
144702	7-87	Switch, Pushbutton	
144708	7-68,-78	Modification Kit	
144709	7-68	Segment, Cam	
144710	7-78	Modification Kit	
144715	7-53	Bracket, Connector	
144718	7-76	Keytop w/Shaft, SOM	
144719	7-76	Keytop w/Shaft, EOA	
144720	7-76	Keytop w/shaft, EOM	

Table 7-2. Automatic Send-Receive Keyboard (LAK) - Continued

Part Number	Figure Number(s)	Description	Notes
144721	7-76	Keytop w/Shaft, Feed-Out	
144722	7-76	Keytop w/Shaft, Rug-Out	
144723	7-76	Keytop w/Shaft, Tape B. SP.	
144724	7-76	Keytop w/Shaft, SOL INQ	
144725	7-76	Keytop w/Shaft, SOL ORD	
144726	7-76	Keytop w/Shaft, EOL	
144729	7-76	Bracket	
144730	7-76	Bracket, Switch	
144731	7-76	Plate, Switch Actuator	
144732	7-76	Insulator	
144733	7-76	Spring, Compression	
144734	7-76	Plate, Retaining	
144735	7-76	Switch Assembly, SOM	
144736	7-76	Switch Assembly, EOA	
144737	7-76	Switch Assembly, EOM	
144738	7-76	Switch Assembly, Feed-Out	
144739	7-76	Switch Assembly, Rub-Out	
144740	7-76	Switch Assembly, Tape B. Sp.	
144743	7-60	Guideplate, Keytop	
144745	7-63,-76	Bracket, Front	
144749	7-58	Bracket Assembly, Bearing	
144750	7-53	Housing w/Ball Bearing	
144753	7-58	Shaft w/Bearings	
144754	7-53	Plate, Nut	

Table 7-2. Automatic Send-Receive Keyboard (LAK) - Continued

Part Number	Figure Number(s)	Description	Notes
144755	7-58	Shaft, 7-1/4 In. Lg	
144756	7-58	Shaft, 3-9/32 In. Lg	
144759	7-56	Spacer, 0.187 In. Thk	
144760	7-56	Spacer, 0.400 In. Thk	
144761	7-56	Shaft	
144763	7-53	Plate, Nut	
144764	7-53	Base	
144767	7-56	Plate w/Bracket Bearing	
144769	7-56	Button, Pivot	
144770	7-48,-56	Gear Assembly, Intermediate	
144771	7-78	Follower, Cam	
144772	7-78	Contact Assembly, Intermediate	
144774	7-63	Code Bar, FIGS	
144871	7-53	Shaft, Solenoid Plunger	
144990	7-63	Code Bar, LTRS	
144991	7-53	Bracket, Contact	
144992	7-58	Shaft w/Bearing	
145190	7-81	Connector, 2-Pt Plug	
145191	7-81	Connector, 2-Pt Receptacle	
145307	7-53	Plate, Nut	
145321	7-87	Tie, Cable	
147069	7-76	Switch	
147070	7-76	Switch	

Table 7-2. Automatic Send-Receive Keyboard (LAK) - Continued

Part Number	Figure Number (s)	Description	Notes
147071	7-76	Switch	
148128	7-65	Washer, Flat	
150013	7-68	Disk, Adjusting	
150026	7-68	Lever, Shoe Release	
150029	7-68	Wick, Felt	
150043	7-68	Shoe, Secondary Clutch	
150044	7-68	Shoe, Primary Clutch	
150241	7-68	Spring	
150411	7-80	Washer, Flat	
150507	7-80	Spring	
150923	7-53,-69,-70	Washer, Felt	
150966	7-81,-87	Insulator, Terminal Block	
150990	7-70	Washer, Felt	
150991	7-63,-67	Washer, Felt	
151003	7-60	Keylever	
151004	7-60	Keylever	
151005	7-60	Keylever	
151006	7-60	Keylever	
151040	7-70	Screw, 4-36 Shoulder	
151045	7-60	Bar, Spacing	
151073	7-81	Screw, 4-40 5/32 Fil	
151080	7-57,-66	Washer, Flat	
151103	7-69	Spring	
151113	7-53	Strip, Mounting	

Table 7-2. Automatic Send-Receive Keyboard (LAK) - Continued

Part Number	Figure Number(s)	Description	Notes
151118	7-53	Plate, Spacing	
151126	7-55	Spacer, 0.250 In. Thk	
151146	7-53	Strap, Mounting	
151152	7-65,-67,-71,-72, -73,-80,-83,-88	Screw, 4-40 x 3/16 Hex	
151171	7-71,-72	Toggle, Contact	
151180	7-71,-72	Link, Toggle	
151182	7-71,-72,-88,-91	Washer, Insulating	
151223	7-60,-61	Screw, 4-40 Shoulder	
151224	7-60,-61,-80	Screw, 6-40 Pilot	
151228	7-55	Bracket w/Bearing	
151233	7-74	Spacer, 0.065 In. Thk	
151234	7-84	Ratchet, 27T	
151235	7-84	Ratchet, 28T	
151236	7-84	Hub	
151237	7-84	Spring, Flat	
151240	7-84	Pawl, Latch	
151241	7-84	Lever, Latching	
151244	7-84	Bushing, Eccentric	
151245	7-84	Washer, Felt	
151246	7-84	Washer, Flat	
151286 thru 151289	7-77	Keylever Assembly	
151290	7-82	Keylever Assembly	

Table 7-2. Automatic Send-Receive Keyboard (LAK) - Continued

Part Number	Figure Number(s)	Description	Notes
151291 thru 151322	7-77	Keylever Assembly	
151329	7-82,-84,-87	Switch, Sensitive	
151335	7-53,-87	Stud	
151346	7-86	Screw, 6-40 x 3/8 Fil	
151352	7-53	Spring, Flat	
151354	7-74	Screw, 2-56 x 15/32 Fil	
151376	7-62	Label, Instruction	
151389	7-62	Paper, Carbon	
151390	7-62	Label, Blank	
151391	7-62	Label Set	
151412	7-53	Insulator, Terminal	
151415	7-87	Block, Terminal	
151416	7-53,-87	Nut, 6-40 Hex	
151442	7-53,-56,-62,-66, -78,-81	Screw, 6-40 x 1/2 Hex	
151616	7-53	Screw, No. 2 Self-Tapping	
151629	7-75	Nut, 6-40 Lug	
151630	7-53,-54,-56,-57, -58,-60,-61,-63, -73,-74,-79,-81, -87	Screw, 6-40 x 1/4 Hex	
151631	7-53,-53,-54,-55, -57,-58,-60,-61, -64,-66,-73,-74, -75,-79,-80,-81, -83,-84,-92 -92	Screw, 6-40 x 5/16 Hex	

Table 7-2. Automatic Send-Receive Keyboard (LAK) - Continued

Part Number	Figure Number(s)	Description	Notes
151632	7-53 thru -58, -60 thru -64, -71,-72,-74,-75, -79,-81,-82,-84, -88,-93	Screw, 6-40 x 3/8 Hex	
151637	7-80	Screw, 4-40 x 1/4 Fil	
151657	7-74,-81	Screw, 6-40 x 1/4 Fil	
151658	7-53	Screw, 6-40 x 5/16 Fil	
151659	7-60,-61,-62,-80	Screw, 6-40 x 1/2 Fil	
151678	7-53	Screw, 1/4-32 Pilot	
151685	7-80	Screw, 4-40 x 5/16 Fil	
151687	7-59,-74,-91	Screw, 4-40 x 7/16 Fil	
151689	7-2,-16,-40,-41	Screw, 4-40 x 3/4 Fil	
151691	7-58	Screw, 10-32 x 3/8 Fil	
151692	7-53	Screw, 6-40 x 3/16 Fil	
151694	7-58,-81,-87	Screw, 6-40 x 11/32 Fil	
151712	7-54,-55,	Button, Pivot	
151722	7-53,-62,-63,-69, -84	Screw, 6-40 x 3/16 Hex	
151723	7-53,-56	Screw, 10-32 x 3/8 Hex	
151724	7-54,-55,-56,-57	Screw, 10-32 x 5/8 Hex	
151725	7-54,-55,-57	Screw, 10-32 x 3/4 Fil	
151728	7-67	Spring	
151733	7-89	Screw, 4-40 x 9/16 Fil	
151737	7-67	Screw, 4-40 x 11/64 Hex	
151819	7-53	Jumper, 3 In. Black	
151820	7-71,-72	Spring, Contact	

Table 7-2. Automatic Send-Receive Keyboard (LAK) - Continued

Part Number	Figure Number(s)	Description	Notes
151843	7-66	Screw, 6-40 Adjusting	
151879	7-84	Stud	
151880	7-71,-72,-80	Nut, 4-40 Hex	
151885	7-84	Plate, Nut	
151886	7-84	Stud	
151901 thru 151910	7-77	Keylever Assembly	
152001 thru 152020	7-77	Keylever Assembly	
152045	7-53	Guard, Gear	
152051	7-62	Tissue	
152130 thru 162139	7-77	Keylever Assembly	
152462	7-87	Latch, Right	
152463	7-87	Latch, Left	
152464	7-87	Insulator, 0.062 In. Thk	
152467	7-87,-92	Connector, 20-Pt Plug	
152754	7-53	Jumper, 4-1/2 In. Red	
152839	7-80	Spring, Latch	
152871	7-58	Spring	
152887	7-57,-58	Screw, 4-40 x 1/2 Hex	
152893	7-65,-66,-68,-70	Screw, 4-40 x 1/4 Hex	
153252	7-53	Link	
153283	7-79	Keylever Assembly	
153284	7-79	Keylever Assembly	

Table 7-2. Automatic Send-Receive Keyboard (LAK) - Continued

Part Number	Figure Number(s)	Description	Notes
153538	7-53	Screw, 6-40 x 7/16 Hex	
153631	7-81	Network, Spark Suppression	
153799	7-80	Screw, 4-40 x 21/64 Hex	
153817	7-71,-72,-85,-88	Screw, 4-40 x 3/8 Hex	
153819	7-53,-87	Lockwasher	
153839	7-75	Screw, 6-40 x 5/8 Hex	
153841	7-61,-67,-82	Screw, 6-40 x 9/16 Hex	
154008	7-63,-64	Guide, Code Bar	
154009	7-69	Plate, Front	
154010	7-69	Bail, Transfer	
154013	7-63	Bracket, Spring	
154014	7-69	Post, Guide	
154015	7-70	Post	
154016	7-63	Shaft	
154018	7-69	Post, Locking Bail	
154019	7-68	Follower, Eccentric	
154020	7-62	Seal, Front	
154021	7-60,-61	Link	
154023	7-63	Latch, Lockbar	
154025	7-70	Plate, Adjusting	
154027	7-70	Bellcrank	
154029	7-68	Wick, Felt	
154030	7-68	Shaft, Signal Generator	
154032	7-68	Sleeve, Gear	

Table 7-2. Automatic Send-Receive Keyboard (LAK) - Continued

Part Number	Figure Number(s)	Description	Notes
154033	7-67,-81	Lever, Clutch Latch	
154034	7-67	Lever, Clutch Stop	
154036	7-69	Plate, Detent	
154037	7-82	Lever	
154039	7-82	Bracket	
154040	7-69	Lever, Transfer	
154041	7-69	Post, Stop	
154042	7-71,-72	Terminal	
154043	7-71,-72	Terminal	
154045	7-71,-72	Screw, 6-40 Spl	
154046	7-67	Stud	
154047	7-69	Post, Spring	
154051	7-70	Screw, 6-40 Shoulder	
154053	7-67	Bail, Clutch Trip	
154056	7-71,-72,-88	Bracket, Contact Box	
154057	7-62	Plate	
154058	7-62	Plate	
154059	7-59	Bracket, Function Bail	
154066	7-59	Lever, LOC-LF	
154067	7-59	Lever	
154068	7-63,-64	Bracket, Right Guide	
154069	7-63	Bracket, Left Guide	
154070	7-63	Guide, Code Lever	
154071	7-63	Screw, 1/4-32 Pilot	

Table 7-2. Automatic Send-Receive Keyboard (LAK) - Continued

Part Number	Figure Number(s)	Description	Notes
154072	7-63	Bracket, Stop	
154076	7-53	Plate, Nut	
154079	7-70	Stud	
154080	7-66	Lock, Wedge	
154081	7-66	Plate, Retainer	
154083	7-68	Spacer, Cam	
154084	7-70	Bearing, Needle	
154085	7-53,-54	Plate	
154086	7-66	Retainer, Wedge	
154087	7-53	Plate, Nut	
154088	7-53	Plate, Nut	
154089	7-70	Post, Spring	
154091	7-70	Guide, Non-repeat Lever	
154092	7-59	Shaft, Function	
154094	7-67	Clamp	
154095	7-71,-72	Eccentric, Contact Box	
154096	7-67	Bushing, Eccentric	
154099	7-59	Bail, LOC-CR Function	
154101	7-67	Plate, Rear	
154102	7-70,-81,-89	Plate, Rear	
154105	7-69	Post, Transfer Bail	
154106	7-53	Bracket	
154109	7-53	Plunger	
154110	7-62	Hood, Keyboard	

Table 7-2. Automatic Send-Receive Keyboard (LAK) - Continued

Part Number	Figure Number(s)	Description	Notes
154111	7-60,-62	Guideplate, Keytop	
154115	7-53	Guideplate	
154117	7-60	Bail, Spacebar	
154119	7-60	Bracket, Spacebar	
154120	7-63	Lever, Code Bar	
154121	7-63	Lever, Space Code Bar Function	
154122	7-63	Lever, Keyboard Lock	
154123	7-63,-82	Lever, Function	
154124	7-63	Lever, Keyboard Repeat and Unlock	
154125	7-63	Spring	
154127	7-70	Nut, 6-40 Hex	
154129	7-63	Trip Bar, Clutch	
154130	7-71	Contact Box	
154131	7-71	Cover, Contact	
154134	7-84	Bracket	
154135	7-84	Pawl	
154136	7-84	Pawl	
154137	7-84	Lever, Adjusting	
154138	7-68	Washer, Felt	
154140	7-69	Bail, Locking	
154141	7-82	Modification Kit	
154142	7-84	Modification Kit	
154144	7-84	Cable Assembly	

Table 7-2. Automatic Send-Receive Keyboard (LAK) - Continued

Part Number	Figure Number(s)	Description	Notes
154149	7-82,-87	Cable Assembly	
154151	7-65	Bail Assembly, Universal	
154152	7-66	Lockbar Assembly, Ball	
154154	7-68	Camsleeve, Signal Generator	
154156	7-87	Grommet, Rubber	
154163	7-68	Shaft Assembly, Clutch Cam	
154165	7-71	Contact Box Assembly	
154166	7-71	Suppressor, Arc	
154173	7-87	Plate	
154176	7-87	Bracket	
154178	7-69	Spring	
154179	7-65	Bail, Universal	
154183	7-65	Blade, Front	
154184	7-65	Blade, Rear	
154189	7-71	Insulator	
154191	7-70	Spring	
154194	7-71,-72	Base	
154197	7-60	Plug, Button	
154198	7-62	Window, Plastic	
154199	7-53	Shim, 0.005 In. Thk	
154201	7-53	Shim, 0.014 In. Thk	
154202	7-62	Screw, No. 4 Spl	
154203	7-62	Bracket	
154204	7-62	Grommet, Plastic	

Table 7-2. Automatic Send-Receive Keyboard (LAK) - Continued

Part Number	Figure Number(s)	Description	Notes
154210	7-62	Bracket, Left	
154211	7-62	Bracket, Right	
154212	7-60	Frame, Front	
154215	7-70	Spring	
154217	7-69	Wick, Leather	
154224	7-55	Gear Assembly, Intermediate	
154225	7-71	Contact Box Assembly	
154226	7-71	Contact Box w/Strap	
154236	7-67	Lever, Latch	
154237	7-70	Lever, Non-repeat	
154238	7-65	Extension	
154239	7-65	Extension w/Post	
154240	7-70	Bail, Code Bar	
154241	7-70	Stud	
154318	7-79	Plate	
154351	7-63,-70	Modification Kit	
154386	7-70	Plate, Adjusting	
154520 thru 154535	7-79	Keylever Assembly	
154662	7-55	Spacer	
154663	7-55	Shaft	
154694	7-68	Disk, Clutch Cam	
154697	7-87	Grommet, Rubber	
154873	7-87	Connector, 2-Pt Receptacle	

Table 7-2. Automatic Send-Receive Keyboard (LAK) - Continued

Part Number	Figure Number(s)	Description	Notes
154874	7-87	Connector, 2-Pt Plug	
155025 thru 155040	7-79	Keylever Assembly	
155750	7-81,-83,-84,-87, -92	Sleeve, 3/32 ID x 1/2 In. Lg Insulating	
155751	7-82,-84,-87	Sleeve, 1/8 ID x 1 In. Lg Insulating	
155752	7-87	Sleeve, 5/64 ID x 1/2 In. Lg Insulating	
155753	7-53,-64,-74,-81, -87	Sleeve, 1/8 ID x 1/2 In. Lg Insulating	
155754	7-87	Sleeve, 1/16 ID x 1/2 In. Lg Insulating	
155755	7-53,-81,-87	Sleeve, 11/64 ID x 5/8 In. Lg Insulating	
155843	7-60	Keytop	
155844	7-60	Keytop	
155951	7-83	Spring, Torsion	
155952	7-83	Pin	
155953	7-83	Stud	
155954	7-74,-76,-83,-87	Switch, Sensitive	
155956	7-83	Bail	
155957	7-83	Bracket	
155958	7-83	Keylever	
155959	7-83	Keytop	
155960	7-80	Latch	
155964	7-80	Lever, Stop	

Table 7-2. Automatic Send-Receive Keyboard (LAK) - Continued

Part Number	Figure Number(s)	Description	Notes
155965	7-80	Ratchet, 88T	
155966	7-80	Drum	
155967	7-80	Washer, Spring	
155968	7-80	Washer, Flat	
155969	7-80	Bracket	
155990	7-80	Counter Assembly, Character	
155991	7-83	Keytop Assembly	
155992	7-76,-83	Cable Assembly	
155994	7-74	Insulator, 0.015 In. Thk	
155996	7-86	Pinion, 13T	
155997	7-86	Gear, 60T	
155998	7-86	Pinion, 12T	
155999	7-86	Gear, 34T	
156226	7-57,-58	Hub	
156450	7-83	Screw, 2-56 x 1/2 Fil	
156503	7-68	Wick, Felt	
156509	7-69	Washer, Flat	
156516	7-69	Latch	
156558	7-70	Washer, Felt	
156574	7-65	Post, Spring	
156630	7-69	Washer, Felt	
156632	7-53,-61,-62,-80	Screw, 6-40 x 13/32 Hex	
156644	7-71,-72	Link, Drive	
156663	7-71,-72,-91	Bushing, Insulating	

Table 7-2. Automatic Send-Receive Keyboard (LAK) - Continued

Part Number	Figure Number(s)	Description	Notes
156740	7-53,-54,-85	Screw, 6-40 x 7/32 Hex	
156875	7-80	Screw, 6-40 x 5/32 Fil	
157320 thru 157321	7-79	Keylever Assembly	
157325 thru 157367	7-79	Keylever Assembly	
157940 thru 157971	7-79	Keylever Assembly	
158000	7-53,-74,-82	Base	
158001	7-86	Gear, 33T	
158002	7-86	Pinion, 11T	
158003	7-86	Pinion, 12T	
158004	7-86	Gear, 47T	
158005	7-86	Pinion, 9T	
158006	7-86	Gear, 44T	
158007	7-79	Container Assembly, Tape	
158010	7-64	Bar, Locking	
158011	7-73	Lever, Blocking	
158019	7-80	Baffle	
158021	7-80	Bracket, Switch	
158027	7-86	Gearset, 100 WPM	
158028	7-86	Gearset, 75 WPM	
158029	7-86	Gearset, 60 WPM	
158031	7-80	Bail, Feed	

Table 7-2. Automatic Send-Receive Keyboard (LAK) - Continued

Part Number	Figure Number(s)	Description	Notes
158032	7-80	Bail, Reset	
158033	7-80	Spacer, 0.055 In. Thk	
158036	7-80	Lever, Reset	
158038	7-80	Lever	
158040	7-80	Lever, Ratchet Drive	
158042	7-80	Latchlever	
158045	7-80	Stud	
158046	7-80	Bracket	
158047	7-80	Scale	
158050	7-80	Switch, Contact	
158051	7-80	Pulley	
158052	7-80	Cam, Switch	
158053	7-80	Clamp	
158054	7-80	Cord Assembly	
158056	7-80	Cord	
158060	7-73	Spring	
158061	7-73	Pin	
158062	7-74	Stop	
158063	7-63	Bracket, Stop	
158064	7-53	Clip, Spring	
158066	7-74	Switch	
158067	7-74	Bracket	
158068	7-53	Plate	
158071	7-57	Bracket, Bearing	

Table 7-2. Automatic Send-Receive Keyboard (LAK) - Continued

Part Number	Figure Number(s)	Description	Notes
158073	7-57	Shaft w/Bearing	
158075	7-57	Shaft w/Gears	
158077	7-57	Gear, 33T	
158079	7-57	Shaft, Motor Coupler	
158087	7-63	Code Bar, No. 1	
158088	7-63	Code Bar, No. 2	
158089	7-63	Code Bar, No. 3	
158090	7-63	Code Bar, No. 4	
158091	7-63	Code Bar, No. 5	
158093	7-63	Spacer, 0.047 In. Thk	
158094	7-63	Stud	
158099	7-81	Lever	
158103	7-63	Latch w/Hub	
158105	7-63	Code Bar, Carriage Return	
158107	7-63	Code Bar, Character Counter	
158113	7-63	Frame	
158114	7-63	Cam, Control	
158115	7-63	Bushing	
158116	7-63	Lever, Reset	
158117	7-63	Follower, Reset Cam	
158118	7-63	Guide	
158119	7-63	Bracket	
158120	7-63	Bracket	
158121	7-63	Roller	

Table 7-2. Automatic Send-Receive Keyboard (LAK) - Continued

Part Number	Figure Number(s)	Description	Notes
158122	7-63	Bracket	
158123	7-63	Shaft	
158135	7-63	Link	
158136	7-63	Latch	
158137	7-63	Extension, Code Bar	
158139	7-63	Bellcrank	
158141	7-63	Lever w/Hub	
158144	7-63	Slide w/Stud	
158145	7-63	Extension	
158147	7-74,-80	Bushing, Eccentric	
158148	7-74	Washer, Felt	
158149	7-74	Bracket	
158150	7-74	Shaft	
158151	7-74	Arm	
158156	7-74	Lever w/Stud	
158158	7-74	Roller	
158160	7-74	Bracket	
158161	7-74	Indicator Assembly	
158162	7-74	Bracket	
158163	7-74,-87	Switch, Sensitive	
158164	7-74	Lever w/Hub	
158186	7-76	Screw, 4-40 x 7/32 Fil	
158189	7-74	Washer, Felt	
158202	7-75	Housing, Switch	

Table 7-2. Automatic Send-Receive Keyboard (LAK) - Continued

Part Number	Figure Number(s)	Description	Notes
158205	7-75	Cover	
158206	7-75	Thumbscrew, 6-32	
158208	7-75	Gear 43T	
158210	7-75	Shaft Assembly	
158212	7-53	Bracket	
158213	7-53	Plate, Nut	
158215	7-53,-79,-80, -88	Plate, Nut	
158216	7-53	Plate, Nut	
158217	7-53	Plate, Nut	
158219	7-75	Switch, Rotary	
158226	7-64	Bracket w/Bushing	
158228	7-64	Lever w/Stud	
158230	7-64	Bracket, Contact	
158231	7-64	Contact, Lockbar	
158233	7-79	Bracket	
158241	7-79	Container, Tape	
158250	7-53	Block, Terminal	
158251	7-53	Plate, Mounting	
158252	7-53	Insulator, Terminal Block	
158258	7-92	Connector, 20-Pt Plug	
158259	7-92	Connector, 20-Pt Receptacle	
158268	7-70	Latch w/Hub	
158271	7-57	Guard, Gear	

Table 7-2. Automatic Send-Receive Keyboard (LAK) - Continued

Part Number	Figure Number(s)	Description	Notes
158275	7-64	Plate, Clamp	
158276	7-64	Screw, 3-48 x 11/16 Rd	
158277	7-64	Screw, 3-48 x 1 Rd	
158281	7-87	Connector, 32-Pt Plug	
158289	7-79	Reel, Tape	
158299	7-64	Cover, Contact	
158406 thru 158445	7-79	Keylever Assembly	
158447 thru 158455	7-79	Keylever Assembly	
158745	7-54,-55,-57,-58	Clamp, Bearing	
158753	7-81	Armature, Magnet	
158754	7-81,-90	Core, Magnet	
158816	7-59	Spring, Contact	
158828	7-56	Bushing, Mounting	
158859	7-81	Post, Spring	
158907	7-69	Spring	
159278	7-86	Pinion, 14T	
159279	7-86	Gear, 96T	
159281	7-86	Pinion, 17T	
159282	7-86	Gear, 93T	
159284	7-86	Pinion, 20T	
159285	7-86	Gear, 84T	
159287	7-74,-86	Retainer, Pinion	

Table 7-2. Automatic Send-Receive Keyboard (LAK) - Continued

Part Number	Figure Number(s)	Description	Notes
159327	7-70	Washer, Flat	
159334	7-70	Washer, Insulating	
159340	7-80	Spring, Return	
159341	7-56,-58	Bearing, Ball	
159343	7-83	Cable w/Terminals	
159404	7-58	Post	
159543	7-79	Washer, Flat	
159570	7-78	Spring, Contact	
159571	7-78	Stiffener	
159882	7-86	Gearset, 65 WPM	
159883	7-86	Gearset, 106 WPM	
159897	7-73	Arm	
159899	7-73	Pin	
160090	7-69	Lever, Transfer	
160377	7-75	Switch, Rotary	
160393	7-75	Cable Assembly	
160583	7-59	Spring, Contact	
160987	7-79	Pad, Tape Container	
161102	7-78	Spring, Contact	
161238	7-53,-87	Connector, 36-Pt Receptacle	
161239	7-87	Connector, 36-Pt Plug	
161293	7-86	Gearset, 60 WPM	
161294	7-86	Gearset, 75 WPM	
161295	7-86	Gearset, 100 WPM	

Table 7-2. Automatic Send-Receive Keyboard (LAK) - Continued

Part Number	Figure Number(s)	Description	Notes
161301	7-86	Post	
161330	7-86	Gear, 49T	
161331	7-86	Pinion, 11T	
161332	7-86	Gear, 42T	
161333	7-86	Pinion, 10T	
161346	7-69	Washer, Felt	
161347	7-84	Washer, Felt	
161356	7-86	Gearset, 67 WPM	
161357	7-86	Gearset, 71 WPM	
161440	7-63,-73	Spring	
161859	7-86	Gearset, 60 WPM	
161860	7-86	Gearset, 75 WPM	
161861	7-86	Gearset, 100 WPM	
161882	7-58	Plate w/Bracket	
162075	7-79	Reel, Tape	
162308	7-70	Bail, Code Bar	
162309	7-63	Bar, Clutch	
162333	7-59	Stud, Locating	
162335	7-64	Cable	
162344	7-64	Contact Assembly	
162345	7-75	Switch, Rotary	
162731	7-84	Modification Kit	
162815	7-84	Cable Assembly	
162880	7-78	Bracket	

Table 7-2. Automatic Send-Receive Keyboard (LAK) - Continued

Part Number	Figure Number(s)	Description	Notes
162881	7-78	Plate	
162883	7-78	Cover, Insulating	
162885	7-68	Segment, Cam	
162886	7-68	Screw, 4-40 x 7/32 Hex	
162891	7-71	Cover, Contact Box	
162892	7-71	Contact Box Assembly	
163015	7-86	Pinion, 28T	
163018	7-86	Gear, 49T	
163019	7-86	Pinion, 21T	
163020	7-86	Gear, 48T	
163021	7-86	Pinion, 28T	
163022	7-86	Gear, 80T	
163023	7-86	Gearset, 60 WPM	
163024	7-86	Gearset, 75 WPM	
163025	7-86	Gearset, 100 WPM	
163302	7-86	Gearset, 67 WPM	
163440	7-54,-55,-56	Gear, 48T	
163445	7-71,-72	Insulator, Strip	
163452	7-86	Pinion, 20T	
163453	7-86	Gear, 56T	
163454	7-86	Gearset, 107 WPM	
163455	7-86	Pinion, 20T	
163456	7-86	Gear, 52T	
163457	7-86	Gearset, 71 WPM	

Table 7-2. Automatic Send-Receive Keyboard (LAK) - Continued

Part Number	Figure Number(s)	Description	Notes
163460	7-54,-55	Gear, 55T	
163461	7-86	Pinion, 18T	
163462	7-86	Gear, 117T	
163463	7-86	Pinion, 24T	
163464	7-86	Gear, 104T	
163500	7-86	Gear, 52T	
163501	7-86	Pinion, 30T	
163502	7-86	Gearset, 107 WPM	
163504	7-86	Gearset, 71 WPM	
163505	7-86	Gearset, 107 WPM	
163511	7-62	Plate	
163512	7-62	Bracket	
163519	7-68	Sleeve, Gear	
163536	7-71	Spacer, 0.562 In. Thk	
163585	7-60,-62,-85	Bracket, Right	
163586	7-60	Bracket, Left	
163588	7-62	Modification Kit	
163647	7-66	Channel, Ball	
163699	7-73	Spring	
163963	7-62	Plate	
164107	7-75	Bracket	
164127	7-60,-62	Guideplate, Keytop	
164142	7-53	Bracket	
164224	7-53	Insulator	

Table 7-2. Automatic Send-Receive Keyboard (LAK) - Continued

Part Number	Figure Number(s)	Description	Notes
164234	7-55	Gear Assembly, Intermediate	
164240	7-53	Insulator	
164349	7-68	Shaft Assembly, Clutch Cam	
164379	7-81	Cable	
164457	7-79	Keylever Assembly	
164485	7-67,-81	Bail w/Hub	
164489	7-81	Bar, Universal	
164490	7-81	Bar, Clutch Trip	
164495	7-87	Cable Assembly	
164583	7-86	Modification Kit	
164584	7-86	Modification Kit	
164585	7-86	Modification Kit	
164644	7-81	Post	
164645	7-81	Post	
164646	7-81	Plate, Nut	
164647	7-81,-90	Bracket	
164649	7-81	Plate, Mounting	
164650	7-81	Contact Assembly	
164651	7-81	Bail, Armature	
164653	7-81,-89	Bracket	
164659	7-81	Modification Kit	
165027	7-53	Network, Spark Suppression	
170086	7-69	Lever, Selector	
170088	7-86	Gearset, 88 WPM	

Table 7-2. Automatic Send-Receive Keyboard (LAK) - Continued

Part Number	Figure Number(s)	Description	Notes
170089	7-86	Gearset, 88 WPM	
170098	7-68	Camsleeve	
170099	7-68	Shaft Assembly, Clutch Cam	
170100	7-86	Gearset, 100 WPM	
170172	7-82	Bracket	
170173	7-82	Lever w/Hub	
170185	7-86	Pinion, 25T	
170186	7-86	Gear, 119T	
170187	7-86	Pinion, 30T	
170188	7-86	Gear, 59T	
170189	7-86	Pinion, 15T	
170190	7-86	Gear, 51T	
170293	7-86	Pinion, 11T	
170297	7-86	Gear, 33T	
170320	7-87	Connector, 24-Pt Receptacle	
170324	7-63,-83	Bracket, Front	
170331	7-66	Lockbar Assembly	
170332	7-65	Bail Assembly, Universal	
170334	7-68	Shaft Assembly, Clutch Cam	
170337	7-74	Indicator Assembly	
170349	7-79	Container Assembly, Tape	
170358	7-53	Bracket	
170372	7-65	Bail, Universal	

Table 7-2. Automatic Send-Receive Keyboard (LAK) - Continued

Part Number	Figure Number(s)	Description	Notes
170373	7-65	Blade, Rear	
170374	7-65	Blade, Front	
170376	7-66	Channel Assembly, Ball	
170379	7-66	Retainer, Ball	
170380	7-66	Retainer, Wedge	
170381	7-69	Lever, Start	
170382	7-69	Lever, No. 2 Selector	
170383	7-69	Lever, No. 3 Selector	
170385	7-67,-81,-89	Frame w/Bushing	
170386	7-69	Guide, Transfer Lever	
170388	7-69	Guidepost	
170390	7-69	Bail, Locking	
170391	7-69	Guide, Transfer Lever	
170392	7-70	Lever, Non-repeat	
170395	7-59	Bracket, Function Bail	
170397	7-59	Bail, L.C.R.	
170398	7-59	Lever, L.L.F.	
170400	7-60	Guideplate, Keytop	
170401	7-60	Frame, Front	
170406	7-60,-61	Bracket, Left Spacebar	
170407	7-60,-61	Bracket, Right Spacebar	
170409	7-60,-61	Bail, Spacebar	
170410	7-53	Plate, Nut	
170412	7-59	Bracket, Switch Mounting	

Table 7-2. Automatic Send-Receive Keyboard (LAK) - Continued

Part Number	Figure Number(s)	Description	Notes
170413	7-59	Contact Assembly	
170418	7-74	Bracket	
170419	7-60	Spacer	
170454	7-60	Spacebar	
170456	7-79	Container, Tape	
171559	7-87	Lamp, 28V Incandescent	
171952	7-87	Connector, Green Shielding	
171972	7-87	Connector, Green Insulated	
172978	7-64	Cover, Contact	
173096	7-70	Stud, Eccentric	
173508	7-58	Gear, 66T	
173645	7-57	Coupling	
173711	7-73	Cable Assembly	
173715	7-87	Terminal, Plug Type	
173716	7-87	Terminal, Receptacle Type	
173793	7-86	Gear, 100T	
173794	7-86	Pinion, 14T	
173795	7-66	Gearset, 65 WPM	
173992	7-86	Gearset, 65 WPM	
173993	7-86	Pinion, 14T	
173994	7-86	Gear, 40T	
174034	7-78	Screw, 4-40 x 13/16 Hex	
174350	7-63	Code Bar, Character Count	
174410	7-72	Contact Box Assembly	

Table 7-2. Automatic Send-Receive Keyboard (LAK) - Continued

Part Number	Figure Number(s)	Description	Notes
174411	7-72	Insulator	
174412	7-72	Spacer, 0.531 In. Thk	
174413	7-72	Terminal	
174414	7-72	Bushing	
174415	7-72	Cover, Contact Box	
174416	7-72	Contact Box	
174421	7-72	Filter, R.F.	
174491	7-71	Modification Kit	
176339	7-70	Post, Stop	
176354	7-69	Sleeve	
176405	7-83	Modification Kit	
176406	7-83	Bracket	
176407	7-83	Lever	
176436	7-73	Cam, Control	
176659	7-53	Lever, Trip	
176661	7-53	Bracket w/Post	
176663	7-53	Link	
176672	7-53	Solenoid	
176673	7-53	Suppressor, Spark	
176674	7-79	Bracket	
176675	7-53	Solenoid Assembly	
176691	7-53	Resistor w/Terminals, Ohm	
176700	7-53	Base	
176702	7-53,-54	Bracket	

Table 7-2. Automatic Send-Receive Keyboard (LAK) - Continued

Part Number	Figure Number(s)	Description	Notes
176703	7-53	Plate, Mounting	
176709	7-79	Container Assembly, Tape	
176772	7-86	Gear, 56T	
177005	7-64	Contact Assembly	
177355	7-53	Resistor, 4000 Ohm	
178142	7-68	Camsleeve	
178346	7-68	Modification Kit	
178490	7-63	Modification Kit	
178491	7-70	Bail	
178492	7-70	Lever	
178493	7-70	Latch w/Hub	
178494	7-70	Spring, Torsion	
178535	7-53	Suppressor, Spark	
178599	7-53	Cable w/Terminal	
178725	7-80	Spring	
178726	7-80	Bracket, Spring	
178728	7-80	Modification Kit	
178769	7-86	Gearset, 100 WPM	
178770	7-86	Pinion, 23T	
178771	7-86	Gear, 46T	
178772	7-86	Gearset, 66 WPM	
178773	7-86	Pinion, 20T	
178774	7-86	Gear, 60T	
178775	7-86	Gearset, 61 WPM	

Table 7-2. Automatic Send-Receive Keyboard (LAK) - Continued

Part Number	Figure Number(s)	Description	Notes
178776	7-86	Pinion, 17T	
178777	7-86	Gear, 56T	
178785	7-68	Shaft Assembly, Clutch Cam	
178787	7-68	Sleeve, Gear	
178790	7-64	Contact Assembly	
178795	7-68	Camsleeve	
178849	7-80	Cord Assembly, Indicator	
178851	7-80	Pulley	
179258	7-80	Bracket, Scale	
179278	7-80	Drum, Ratchet	
179279	7-80	Bracket w/Posts	
179362	7-81	Cable Assembly	
179363	7-81	Cable Assembly	
179491	7-83	Switch Assembly, Backspace	
179623	7-53	Resistor, 3920 Ohm	
179634	7-88	Bracket, Connector Mounting	
179639	7-88	Contact Assembly	
179643	7-88	Network, Filter	
179740	7-88	Cable Assembly	
179747	7-75	Shaft	
179748	7-88	Connector, 5-Pt Plug	
180675	7-53	Screw, No. 6 Self-Tapping	
180904	7-53	Tab, Terminal	
181392	7-53	Terminal, Tab Type	

Table 7-2. Automatic Send-Receive Keyboard (LAK) - Continued

Part Number	Figure Number(s)	Description	Notes
182520	7-92	Rectifier	
192013	7-87	Connector, 50-Pt Plug	
192176	7-87	Terminal, Plug Type	
192177	7-87	Terminal, Receptacle Type	
192224	7-79	Panel, Tape Container	
192511	7-61	Spacebar	
192533	7-70	Plate, Rear	
192534	7-69	Post, Locking Bail	
192538	7-61	Plug, Button	
192550	7-66	Lockbar Assembly, Bail	
192552	7-66	Channel, Bail	
192553	7-61	Bracket, Left Mounting	
192554	7-61	Bracket, Right Mounting	
192555	7-61	Guideplate, Keytop	
192556	7-61	Frame	
192557	7-61	Grommet, Rubber	
192629	7-58	Shaft	
192630	7-87	Bracket	
192681	7-65	Screw, 4-40 Spl	
192937	7-88	Capacitor, 0.068 Mfd	
192941	7-88	Capacitor, 1500 Mfd	
192963	7-88	Resistor, 33200 Ohm	
192964	7-88	Inductor, 1700 Ohm	
193565	7-58,-86	Coupling, Flexible	

Table 7-2. Automatic Send-Receive Keyboard (LAK) - Continued

Part Number	Figure Number(s)	Description	Notes
193654	7-81	Clamp, Armature	
193802	7-70	Modification Kit	
193983	7-79	Guide, Tape	
194048	7-88,-91	Screw, 4-40 Spl	
194156	7-60	Screw, 6-40 Shoulder	
194425	7-81	Modification Kit	
194452	7-63	Lever	
194901	7-88,-91	Screw, 4-40 Spl	
194925	7-86	Pinion, 13T	
194926	7-86	Gear, 81T	
194927	7-86	Gearset, 67 WPM	
194928	7-86	Gearset, 67 WPM	
195144	7-86	Pinion, 11T	
195145	7-86	Gear, 49T	
195146	7-86	Gearset, 67 WPM	
195147	7-86	Gearset, 67 WPM	
195154	7-57	Modification Kit	
195164	7-57	Bracket, Bearing	
195165	7-57	Shaft w/Bearing	
195166	7-57	Plate	
195182	7-86	Pinion, 20T	
195183	7-86	Gear, 52T	
195184	7-86	Gearset, 67 WPM	
195186	7-71	Screw, 4-40 x 7/8 Hex	

Table 7-2. Automatic Send-Receive Keyboard (LAK) - Continued

Part Number	Figure Number(s)	Description	Notes
195187	7-71,-88	Screw, 4-40 x 1-1/2 Hex	
195263	7-86	Pinion, 22T	
195264	7-86	Gear, 49T	
195292	7-63	Lever	
195417	7-86	Shaft, Driven	
195418	7-86	Gear, 48T	
195420	7-86	Pawl	
195427	7-86	Washer, Flat	
195651	7-88	Contact Box	
195652	7-88	Cover, Contact Box	
195717	7-53	Plate, Identification	
195923	7-71	Filter, R.F.	
198050	7-86	Gearset, 81 WPM	
198051	7-86	Pinion, 17T	
198052	7-86	Gear, 97T	
198053	7-86	Gearset, 106 WPM	
198054	7-86	Pinion, 21T	
198055	7-86	Gear, 92T	
198056	7-86	Gearset, 81 WPM	
198057	7-86	Pinion, 19T	
198058	7-86	Gear, 70T	
198350	7-81	Modification Kit	
198351	7-81	Cable w/Terminals	
199070	7-88	Contact Box Assembly	

Table 7-2. Automatic Send-Receive Keyboard (LAK) - Continued

Part Number	Figure Number(s)	Description	Notes
199090	7-86	Pinion, 20T	
199091	7-86	Gear, 56T	
199100	7-76	Keytop w/Shaft, FO	
199101	7-76	Keytop w/Shaft, H-ON	
199102	7-76	Keytop w/Shaft, D-ON	
199103	7-76	Keytop w/Shaft, FLD	
199193	7-88	Bushing, Insulating	
199196	7-88	Link	
199361	7-53	Modification Kit	
199650	7-73	Arm w/Stud	
301699	7-79	Reel, Tape	
304672	7-60	Guideplate, Keytop	
305569	7-86	Pinion, 22T	
305570	7-86	Gear, 55T	
305571	7-86	Pinion, 14T	
305572	7-86	Gear, 52T	
305573	7-86	Pinion, 13T	
305574	7-86	Gear, 53T	
305577	7-86	Gearset, 100 WPM	
305578	7-86	Gearset, 67 WPM	
305579	7-86	Gearset, 60 WPM	
305632	7-58	Pinion, 22T	
305633	7-58	Gear, 55T	
305634	7-58	Bracket Assembly, Bearing	

Table 7-2. Automatic Send-Receive Keyboard (LAK) - Continued

Part Number	Figure Number(s)	Description	Notes
305635	7-58	Shaft w/Bearings	
305757	7-75	Lever, Switch	
305758	7-53	Bracket	
306732	7-75	Resistor, 1.5 Megohm	
306991	7-54	Bracket	
306992	7-54	Clamp	
306993	7-54	Plate	
306994	7-54	Shaft	
306995	7-54	Spacer	
306996	7-54,-84	Washer, Flat	
307844	7-86	Pinion, 10T	
307845	7-86	Gear, 57T	
307846	7-86	Pinion, 20T	
307847	7-86	Gear, 70T	
307848	7-86	Pinion, 15T	
307849	7-86	Gear, 78T	
307850	7-86	Gearset, 60 WPM	
307851	7-86	Gearset, 67 WPM	
307852	7-86	Gearset, 100 WPM	
309506	7-85	Spring, Gold-Plated	
309507	7-85	Contact	
309508	7-60,-85	Bracket, Left	
309509	7-85	Bracket, Right	
309510	7-85	Bar, Retaining	

Table 7-2. Automatic Send-Receive Keyboard (LAK) - Continued

Part Number	Figure Number(s)	Description	Notes
309511	7-63,-85	Modification Kit	
310153	7-53	Jumper, 15 In. Green	
311451	7-68	Camsleeve	
311676	7-58	Modification Kit	
311741	7-60,-61	Bracket, Spacebar	
312691	7-86	Pinion, 26T	
312692	7-86	Gear, 94T	
312705	7-86	Gearset, 107 WPM	
315525	7-60	Guideplate, Keytop	
315867	7-58	Shaft w/Bearing	
317202	7-58	Modification Kit	
317203	7-58	Plate w/Bracket	
317349	7-57	Modification Kit	
319394	7-58,-86	Setscrew, 10-24	
319909	7-86	Pinion, 13T	
319910	7-86	Gear, 50T	
319911	7-86	Gearset, 65 WPM	
319912	7-86	Pinion, 10T	
319913	7-86	Gear, 35T	
319914	7-86	Gearset, 71 WPM	
319915	7-86	Pinion, 24T	
319916	7-86	Gear, 56T	
319917	7-86	Gearset, 107 WPM	
320043	7-91	Cover, Outer	

Table 7-2. Automatic Send-Receive Keyboard (LAK) - Continued

Part Number	Figure Number(s)	Description	Notes
320052	7-91,-93	Cable Assembly	
320410	7-53,-74,-81,-83, -84,-87,-92	Terminal, Spade Type	
320416	7-87	Terminal, Ring Type	
320418	7-87	Terminal, Ring Type	
320420	7-53	Terminal, Ring Type	
321143	7-91	Link	
321266	7-91	Contact Box w/Bracket	
321269	7-91	Insulator	
321270	7-91	Box, Inner	
321271	7-91	Post, Nylon	
321273	7-91	Cover, Inner	
321281	7-93	Bracket, Connector Mounting	
321727	7-85	Guide	
321767	7-87	Switch, Pushbutton	
321768	7-87	Switch, Pushbutton	
323644	7-91	Contact Box Assembly	
323838	7-91	Eccentric	
324142	7-91	Connector, 3-Pt Receptacle	
324157	7-92	Cable Assembly	
324531	7-81	Contact Assembly	
324533	7-81	Stiffener w/Contact	
324534	7-81	Spring, Contact	
324535	7-81	Insulator	

Table 7-2. Automatic Send-Receive Keyboard (LAK) - Continued

Part Number	Figure Number(s)	Description	Notes
324683	7-92	Cable Assembly	
325947	7-91	Contact Assembly	
325949	7-91	Screw, 8-32 x 1 Nylon Fil	
325950	7-91	Screw, 8-32 x 1/2 Nylon	
325951	7-91	Nut, 6-32 Nylon Hex	
326355	7-92	Cable	
326357	7-89	Contact Assembly	
326362	7-89	Spring, Contact	
326363	7-89	Spring, Contact	
326727	7-54	Gear Assembly, Intermediate	
326730	7-54	Gear Assembly, Intermediate	
326748	7-89	Strap, Contact	
326750	7-89	Board, Filter	
326751	7-89	Resistor, 22 Ohm	
326752	7-89	Capacitor, 0.03 Mfd	
326788	7-92	Cable Assembly	
327119	7-72	Screw, 4-40 x 1-1/2 Hex	
330714	7-85	Insulator	
330963	7-85	Keylever	
330964	7-85	Keylever	
330965	7-85	Keylever	
330966	7-85	Keylever	

Table 7-3. Typing Perforator (LTPE)

Part Number	Figure Number(s)	Description	Notes
224M	7-112	Coil, Magnet	
1036	7-99	Nut, 6-40 Hex	
2034	7-112	Washer, Flat	
2191	7-94 thru -96, -99 thru -116	Lockwasher	
2199	7-101	Nut, 7/16-32 Hex	
2407	7-101	Lockwasher	
2669	7-94	Lockwasher	
3598	7-94,-95,-96, -99,-100,-101, -103,-102,-108, -110,-111,-112	Nut, 6-40 Hex	
3599	7-94,-96,-101, -102,-102,-106, -112	Nut, 4-40 Hex	
3603	7-94	Nut, 1/4-32 Hex	
3606	7-94,-96,-110	Nut, 6-40 Hex	
3640	6-94,-101,-102, -104,-110,-112, -113,-115,-118	Lockwasher	
3650	7-112	Washer, Flat	
3870	7-110	Spring	
5363	7-99	Spring, Compression	
7002	7-94 thru -96, -99,-101,-102, -104,-106,-110 thru -113	Washer, Flat	
7835	7-108,-109	Ribbon w/Spool, Black	
8330	7-94,-96,-100, -103,-108,-109, -110,-112,-114	Washer, Flat	

Table 7-3. Typing Perforator (LTPE) - Continued

Part Number	Figure Number(s)	Description	Notes
22746	7-101	Spring	
33765	7-97	Washer, Flat	
41382	7-99,-103	Spring	
41543	7-94	Bearing, Bail	
41732	7-117	Plate, Clamp	
42823	7-94	Washer, Flat	
47024	7-102	Washer, Flat	
49420	7-115	Spring	
55063	7-97,-98,-112	Spring	
70878	7-97,-112	Spring	
71437	7-100	Washer, Flat	
71681	7-108,-109	Spool, Ribbon	
74283	7-103	Washer, Spring	
74553	7-101	Wick, Felt	
80531	7-109	Washer, Flat	
80833	7-117	Guard, Contact Spring	
81726	7-117	Terminal	
81731	7-109	Spring	
82392	7-94	Shim, 0.004 In. Thk	
82547	7-117	Insulator, 0.094 In. Thk	
82548	7-117	Insulator, 0.062 In. Thk	
84226	7-109	Spring	
84575	7-112	Spring	
85823	7-109	Spacer, 0.188 In. Thk	
86079	7-102	Washer, Felt	

Table 7-3. Typing Perforator (LTPE) - Continued

Part Number	Figure Number(s)	Description	Notes
86283	7-108	Spring	
86304	7-97,-115	Spring	
86506	7-94	Post, Spring	
86714	7-109	Washer, Flat	
86774	7-102	Screw, 6-40 Shoulder	
87401	7-94	Spring	
90052	7-106	Screw, 4-40 x 5/8 Hex	
90361	7-104	Washer, Felt	
90535	7-104	Washer, Felt	
90560	7-97	Washer, Flat	
90573	7-94	Spring	
90599	7-102	Shim, 0.008 In. Thk	
90606	7-94,-108	Spring	
90615	7-110	Spring	
90790	7-112	Washer, Flat	
90951	7-104,-117	Lockwasher	
91120	7-99	Spring	
92260	7-110	Lockwasher	
93108	7-94	Lockwasher	
93117	7-99	Lockwasher	
93356	7-94,-99	Washer, Felt	
96717	7-94	Screw, 4-40 Shoulder	
97266	7-117	Plate, Clamp	
97516	7-109	Bushing	
101123	7-102	Washer, Felt	

Table 7-3. Typing Perforator (LTPE) - Continued

Part Number	Figure Number(s)	Description	Notes
108943	7-117	Bushing	
110434	7-94,-103	Screw, 4-40 x 3/16 Fil	
110437	7-104	Spring	
110743	7-94,-95 thru -109,-111,-112, -117	Lockwasher	
110879	7-101,-102,-110	Spring	
111017	7-110,-115	Screw, 6-40 x 5/16 Fil	
112626	7-101	Nut, 10-32 Hex	
112634	7-104	Spring	
114876	7-104,-117	Washer, Flat	
115122	7-101	Washer, Felt	
115134	7-102	Washer, Felt	
115941	7-94	Washer, Flat	
119647	7-99	Ring, Retaining	
119648	7-97,-98,-99, -111,-112,-115	Ring, Retaining	
119649	7-99,-101,-102, -104,-108,-109, -112	Ring, Retaining	
119650	7-100,-108,-109, -110,-111	Ring Retaining	
119651	7-94,-97,-101, -102,-104,-109 -110,-112,-115	Ring, Retaining	
119652	7-94,-99,-100, -103,-111	Ring, Retaining	
119653	7-101,-108,-109	Ring, Retaining	
121100	7-104	Spring	

Table 7-3. Typing Perforator (LTPE) - Continued

Part Number	Figure Number (s)	Description	Notes
121245	7-113	Clamp, 5/16 In. ID Cable	
122149	7-97	Screw, 4-40 Spl	
124177	7-94,-96,-99, -103,-110	Lockwasher	
125011	7-94,-96 thru -99,-101,-102, -103,-104,-108, -110,-113,-115, -118	Washer, Flat	
125015	7-94,-100,-101, -110,-111	Washer, Flat	
125215	7-112	Screw, 4-40 x 3/16 Hex	
125231	7-94	Nut, 10-32 Hex	
125802	7-109	Washer, Flat	
128357	7-100,-104	Ring, Retaining	
130330	7-102	Washer, Felt	
130696	7-102	Washer, Felt	
131016	7-102	Washer, Felt	
135716	7-94	Spring	
135901	7-101	Washer, Cup	
139697	7-95	Screw, 4-40 x 9/32 Fil	
139752	7-94	Screw, 4-40 x 11/64 Fil	
150013	7-95	Disk, Adjusting	
150029	7-95	Wick, Felt	
150040	7-95	Screw, 6-40 x 5/8 Fil	
150043	7-95	Shoe, Secondary Clutch	
150044	7-95	Shoe, Primary Clutch	
150048	7-94	Spring	

Table 7-3. Typing Perforator (LTPE) - Continued

Part Number	Figure Number(s)	Description	Notes
150241	7-94,-95	Spring	
150327	7-108,-109	Roller, Ribbon	
150356	7-94	Lever, Trip	
150507	7-108	Spring	
150923	7-100	Washer, Felt	
150990	7-101	Washer, Felt	
151073	7-94,-97,-98, -100	Screw, 4-40 x 5/32 Fil	
151152	7-94,-99,-102, -104,-106,-110, -112,-118	Screw, 4-40 x 3/16 Hex	
151222	7-100	Washer, Felt	
151246	7-94	Washer, Flat	
151362	7-94	Wick, Felt	
151398	7-104	Spring	
151416	7-99,-100	Nut, 6-40 Hex	
151442	7-94,-101,-102 -112	Screw, 6-40 x 1/2 Hex	
151629	7-94,-100,-101	Nut, 6-40 Lug	
151630	7-94,-95,-99, -101,-108,-110, -112,-113,-114, -116	Screw, 6-40 x 1/4 Hex	
151631	7-94,-96,-99, -101,-104,-106, -110	Screw, 6-40 x 5/16 Hex	
151632	7-94,-95,-96, -106,-108,-109, -111,-112	Screw, 6-40 x 3/8 Hex	
151637	7-96,-108,-115	Screw, 4-40 x 1/4 Fil	

Table 7-3. Typing Perforator (LTPE) - Continued

Part Number	Figure Number(s)	Description	Notes
151640	7-95	Lever, Shoe Release	
151657	7-94,-103	Screw, 6-40 x 1/4 Fil	
151658	7-94	Screw, 6-40 x 5/16 Fil	
151688	7-117	Screw, 4-40 x 5/8 Fil	
151692	7-110	Screw, 6-40 x 3/16 Fil	
151721	7-112	Screw, 6-40 x 3/4 Hex	
151722	7-96,-99,-109, -111	Screw, 6-40 x 3/16 Hex	
151728	7-95	Spring	
151737	7-95,-109,-112	Screw, 4-40 x 11/64 Hex	
151880	7-106,-109,-111	Nut, 4-40 Hex	
152400	7-111	Plate, Selector Mounting	
152415	7-94	Stud, Adjusting	
152427	7-103	Latch w/Hub	
152429	7-103	Rack, Sector	
152432	7-103	Arm, Stop	
152436	7-103	Knob, Range Scale	
152438	7-103	Bail, Stop Arm	
152441	7-103	Washer	
152445	7-103	Spring, Compression	
152466	7-113	Connector, 20-Pt Receptacle	
152634	7-100	Washer, Flat	
152887	7-106	Screw, 4-40 x 1/2 Hex	

Table 7-3. Typing Perforator (LTPE) - Continued

Part Number	Figure Number(s)	Description	Notes
152893	7-94,-96 thru -97,-98,-99, -99,-100,-101, -117	Screw, 4-40 x 1/4 Hex	
153239	7-111	Roller	
153267	7-98	Washer, Felt	
153489	7-103	Detent	
153537	7-111	Screw, 6-40 x 9/32 Hex	
153806	7-110	Spring	
153817	7-97,-115	Screw, 4-40 x 3/8 Hex	
153839	7-94,-100,-101	Screw, 6-40 x 5/8 Hex	
153841	7-109	Screw, 6-40 x 9/16 Hex	
154235	7-118	Spring	
154242	7-94	Screw, 6-40 x 5/16 Hex	
154245	7-117	Spring, Contact	
154246	7-117	Bracket, Contact	
154247	7-117	Contact Assembly	
154325	7-108	Modification Kit to Provide an Adjustable Ribbon Drive Arm	
154335	7-95	Screw, 6-40 x 9/32 Fil	
154352	7-118	Spring	
154397	7-94,-95	Shaft w/Bearing	
154398	7-95	Bearing, Needle	
154457	7-99	Guide, Tape	
154694	7-95	Disk, Clutch Cam	
154698	7-99	Wick, Felt	
155096	7-103	Plate, Range Finder Mtg	
7-118			

Table 7-3. Typing Perforator (LTPE) - Continued

Part Number	Figure Number(s)	Description	Notes
155750	7-113	Sleeve, 3/32 ID x 1/2 In. Lg Insulating	
155753	7-117	Sleeve, 1/8 ID x 1/2 In. Lg Insulating	
155995	7-94	Screw, 6-40 Shoulder	
156008	7-99	Wheel, Feed	
156009	7-100	Post, Slide	
156012	7-98	Spring, Punch Block	
156013	7-100	Screw, 4-40 Spl	
156015	7-96	Plate, Spring	
156016	7-99,-100	Link, Front Drag	
156017	7-100	Shaft, Eccentric	
156019	7-99	Washer, Felt	
156020	7-96	Slide	
156024	7-96,-99,-100	Plate, Rear	
156028	7-96,-98,-99 -112,-114,-115	Plate, Front	
156036	7-99	Guide, Tape	
156040	7-99	Post	
156042	7-99	Post, Spacing	
156043	7-100	Bushing	
156044	7-99	Stud, Die Wheel	
156045	7-99	Shaft, Feed Wheel	
156046	7-96	Block, Tape Guide	
156047	7-99	Spring, Torsion	
156050	7-99	Stud, Eccentric	

Table 7-3. Typing Perforator (LTPE) - Continued

Part Number	Figure Number(s)	Description	Notes
156051	7-100	Bushing, Eccentric	
156052	7-99	Shoe, Tape	
156054	7-99	Lever, Detent	
156055	7-99	Wheel, Die	
156057	7-104	Washer, Flat	
156058	7-100	Link, Rear	
156060	7-100	Shaft, Eccentric	
156061	7-99	Arm, Tape Shoe	
156062	7-99	Post, Pivot	
156067	7-100	Guide, Slide Post	
156069	7-96	Plate	
156070	7-100	Bail, Toggle	
156077	7-100	Plate w/Post	
156089	7-96,-113	Slide w/Insulator	
156090	7-96,-99	Screw, 6-40 Adjusting	
156093	7-100	Washer, Felt	
156094	7-100	Link, Front	
156095	7-100	Bushing	
156099	7-100	Link, Rear Drag	
156103	7-100	Strip, Felt	
156104	7-98	Shaft	
156159	7-113	Bracket	
156162	7-100	Washer, Flat	
156163	7-96	Guide	
156165	7-94,-100	Washer, Felt	
7-120			

Table 7-3. Typing Perforator (LTPE) - Continued

Part Number	Figure Number(s)	Description	Notes
156168	7-96	Spring	
156169	7-100	Washer, Felt	
156172	7-98	Rod	
156173	7-96	Stud	
156177	7-113	Bracket, Contact	
156221	7-106	Lock	
156230	7-110	Stud, Lifter Pivot	
156235	7-94	Guidepost	
156236	7-95	Collar	
156241	7-101	Link, Front	
156242	7-101	Link, Rear	
156243	7-110	Roller, Lifter Arm	
156248	7-94	Latch	
156252	7-110	Lifter, Function Blade	
156264	7-101,-102	Lever, Detent	
156265	7-102	Bushing, Shoulder	
156266	7-101,-102	Bushing, Shoulder	
156267	7-94	Lever, Trip	
156268	7-104	Bracket, Spring	
156276	7-101	Eccentric, Right Rotary	
156277	7-101	Eccentric, Left Rotary	
156278	7-102	Eccentric	
156286	7-101	Shaft, Right Eccentric	
156287	7-101	Shaft, Left Eccentric	
156288	7-102	Shaft, Axial Eccentric	

Table 7-3. Typing Perforator (LTPE) - Continued

Part Number	Figure Number(s)	Description	Notes
156289	7-101	Bearing, Left Front	
156290	7-101	Bearing, Right Front	
156291	7-96	Bearing, Rear	
156292	7-102	Housing, Upper Axial	
156293	7-102	Housing, Lower Axial	
156294	7-102	Sector, Axial	
156296	7-104	Post, Retaining	
156300	7-104	Shaft	
156306	7-101	Rod, Right Connecting	
156311	7-101	Rod, Left Connecting	
156313	7-102	Rack, Axial Output	
156316	7-104,-118	Plate, Rear	
156318	7-94	Lever, Reset	
156321	7-102	Shaft, Oscillating	
156322	7-102	Link, Axial Toggle	
156332	7-101	Shaft, Type Wheel	
156366	7-94	Shaft, Rocker Bail	
156369	7-102	Lever, Adjusting	
156382	7-102	Roller, Guide	
156389	7-101	Gear, 16T	
156390	7-101	Washer, Flat	
156396	7-94,-110	Eccentric	
156399	7-94	Nut, 6-40 Shoulder	
156403	7-94	Disk, Bearing	
156408	7-101	Arm, Clamp	
7-122			

Table 7-3. Typing Perforator (LTPE) - Continued

Part Number	Figure Number(s)	Description	Notes
156412	7-94	Link, Drive	
156413	7-110	Link, Drive	
156414	7-108	Plate, Ribbon Feed Mounting	
156419	7-108	Shaft, Left Ribbon Ratchet	
156421	7-108	Shaft, Right Ribbon Ratchet	
156426	7-108	Washer, Spring	
156427	7-108	Disk, Friction	
156428	7-108	Washer, Felt	
156433	7-108	Pawl, Ribbon Feed	
156436	7-108	Arm, Front Ribbon Reversing	
156437	7-108	Arm, Rear Ribbon Reversing	
156440	7-108	Lever, Ribbon Reversing	
156442	7-108	Pawl, Ribbon Reversing	
156462	7-102	Bail, Oscillating	
156465	7-94	Washer, Spring	
156466	7-101	Rack, Type Wheel	
156467	7-94	Ring, Retaining	
156472	7-94	Post, Spring	
156473	7-95	Shaft, Main	
156476	7-101	Hammer, Print	
156478	7-101	Accelerator, Hammer	
156484	7-110	Bracket	
156488	7-110	Post, Spring	
156489	7-101	Bushing, Ribbon Guide	
156490	7-94	Guidepost	

Table 7-3. Typing Perforator (LTPE) - Continued

Part Number	Figure Number (s)	Description	Notes
156492	7-101	Bracket, Guide	
156493	7-102	Stud	
156501	7-96,-101	Screw, 6-40 x 7/32 Fil	
156515	7-109	Washer, Felt	
156536	7-104	Screw, 4-40 x 1/8 Fil	
156558	7-101	Washer, Felt	
156576	7-94	Washer, Felt	
156577	7-99	Roller, Detent Lever	
156740	7-112	Screw, 6-40 x 7/32 Hex	
156835	7-101	Ring, Retaining	
156869	7-101	Guide, Ribbon	
156870	7-102	Lever, Ribbon Oscillating	
156871	7-94	Bail, Operating Blade	
156872	7-94	Blade, Operating	
156874	7-101,-102	Screw, 4-40 x 15/16 Fil	
156875	7-102	Screw, 6-40 x 5/32 Fil	
156876	7-94	Bushing	
156877	7-94	Washer, Felt	
156884	7-100	Arm, Rocker	
156899	7-94	Stud, Eccentric	
156900	7-94	Roller	
156901	7-108	Post, Eccentric	
156905	7-101	Block, Rack Guide	
156908	7-102	Post, Sector Pivot	
156909	7-102	Post, Toggle Link	
7-124			

Table 7-3. Typing Perforator (LTPE) - Continued

Part Number	Figure Number(s)	Description	Notes
156922	7-104	Arm, Lock Release	
156931	7-101	Bracket, Hammer Mounting	
156937	7-94,-110	Link, Printing Drive	
156938	7-110	Screw, 6-40 Eccentric Shoulder	
156948	7-102	Wick, Felt	
156987	7-94	Screw, 6-40 Spl	
156988	7-94	Race, Outer	
156989	7-94	Bearing	
156990	7-94	Race, Inner	
156994	7-94	Strip, Felt	
156995	7-94	Post	
156998	7-94	Retainer, Roller	
157252	7-109	Bushing	
157261	7-103	Shaft, Stop Arm	
158169	7-94	Frame	
158171	7-94	Shaft w/Bearing	
158172	7-94	Latchlever	
158184	7-95	Drum, Function Clutch	
158257	7-113	Cable Assembly	
158285	7-113	Connector, 20-Pt Plug	
158745	7-94	Clamp, Bearing	
158760	7-112	Post, Spring	
158772	7-106	Screw, 4-40 x 5/8 Hex	
158881	7-94	Nut, 6-40 Shoulder	

Table 7-3. Typing Perforator (LTPE) - Continued

Part Number	Figure Number (s)	Description	Notes
158925	7-96	Slide, Tape Depressor	
158950	7-113	Contact Assembly, Code Reading	
159011	7-94	Bracket, Spring	
159336	7-113	Shield, Contact	
159341	7-94	Bearing, Bail	
159360	7-117	Modification Kit	
159363	7-97	Modification Kit	
159364	7-112	Modification Kit	
159365	7-96	Modification Kit	
159379	7-113	Modification Kit	
159404	7-102	Post	
159411	7-94	Bearing Assembly	
159413	7-108	Plate, Ribbon Reversing	
159427	7-94	Bracket, Stop	
159430	7-94	Lever, Slide Trip	
159434	7-110	Plate, Lifter Mounting	
159437	7-104	Arm, FIGS Yield	
159438	7-104	Arm, LTRS Yield	
159441	7-94	Guide, Bellcrank	
159447	7-104	Bellcrank, No. 1 and No. 4	
159448	7-104	Bellcrank, No. 2	
159450	7-104	Bellcrank, No. 3 and No. 5	
159459	7-106	Spring	
159460	7-104	Link, Toggle	

Table 7-3. Typing Perforator (LTPE) - Continued

Part Number	Figure Number(s)	Description	Notes
159468	7-104	Arm, Lock	
159470	7-104	Shaft, Lock Arm	
159471	7-104	Bellcrank, LTRS-FIGS	
159472	7-94,-101,-104, -106,-113	Plate, Main	
159476	7-104	Arm, FIGS	
159477	7-104	Arm, LTRS	
159480	7-101	Bushing, Eccentric	
159481	7-104	Arm, FIGS Extension	
159482	7-104	Arm, LTRS Extension	
159483	7-104	Bracket, Spring	
159487	7-104,-117	Plate, Function Box Front	
159488	7-106	Bracket, Transfer Mounting	
159489	7-106	Plate, No. 1	
159490	7-106	Plate, No. 4	
159491	7-106	Plate, No. 2	
159492	7-106	Plate, No. 0	
159493	7-106	Plate, No. 5	
159494	7-106	Plate, No. 3	
159495	7-106	Beam, No. 5 Pulse	
159496	7-106	Beam, No. 3 Pulse	
159497	7-106	Beam, No. 2 Pulse	
159498	7-106	Lever, No. 5 Pulse	
159499	7-106	Lever, No. 3, No. 4 and No. 5 Transfer	
159500	7-106	Beam, No. 4 Pulse	

Table 7-3. Typing Perforator (LTPE) - Continued

Part Number	Figure Number(s)	Description	Notes
159501	7-106	Beam, No. 1 Pulse	
159502	7-106	Guide, Transfer Lever	
159503	7-104	Shaft	
159504	7-106	Spacer, 0.037 In. Thk	
159506	7-94	Post	
159508	7-106	Lever, No. 1 and No. 2 Transfer	
159512	7-110	Link, Printing Trip	
159515	7-104	Blade, FIGS Function	
159516	7-104	Blade, LTRS Function	
159519	7-102	Bushing, Drive Bail	
159522	7-102	Bushing, Drive Bail	
159523	7-102	Bail, Oscillating Drive	
159525	7-101,-102	Bracket, Axial Mounting	
159526	7-102,-110	Link, Oscillating	
159528	7-101	Pushbar, No. 5	
159529	7-101	Pushbar, No. 3	
159530	7-101	Pushbar, No. 4	
159531	7-101	Pushbar, LTRS	
159532	7-101	Pushbar, FIGS	
159535	7-101,-102,-104,-108,-109	Plate, Front	
159536	7-101	Gear, 15T	
159539	7-110	Arm, Printing Pivot	
159544	7-94	Release, Clutch	
159560	7-96	Spring	

Table 7-3. Typing Perforator (LTPE) - Continued

Part Number	Figure Number(s)	Description	Notes
159597	7-102	Washer, Flat	
159621	7-96	Screw, 6-40 Shoulder	
159622	7-96	Clamp, Adjusting	
159625	7-94	Bracket, Bail Guide	
159626	7-110	Extension, Drive Link	
159641	7-117	Cable w/Terminals	
159642	7-101	Shim, 0.008 In. Thk	
159643	7-102	Shim, 0.008 In. Thk	
159653	7-117	Blade, Signal Bell Function	
159654	7-110	Latch, Printing	
159656	7-98	Block Assembly, Punch	
159658	7-101	Screw, 6-40 x 1-3/32	
159659	7-101	Shaft, Eccentric	
159861	7-94, -101, -102, -110	Frame, Main	
159886	7-95	Gear, 49T	
159896	7-95	Collar	
159900	7-97	Plate	
159901	7-97	Plate w/Post	
159902	7-97	Shaft, Rake	
159903	7-97	Bellcrank	
159909	7-97	Pawl, Feed	
159910	7-97	Latch, Return	
159911	7-97	Plate	
159912	7-97	Gear, Segment	

Table 7-3. Typing Perforator (LTPE) - Continued

Part Number	Figure Number(s)	Description	Notes
159913	7-97,-115	Screw, 6-40 Eccentric	
159916	7-97	Eccentric	
159954	7-112	Link, Adjusting	
159955	7-112	Link, Drive	
159956	7-112	Post	
159957	7-112,-114	Link	
159958	7-112	Latch	
159959	7-112	Extension	
159960	7-112	Eccentric	
159961	7-112	Arm, Eccentric	
159962	7-112	Ring, Retaining	
159963	7-112	Hub	
159965	7-112	Arm, Adjusting	
159973	7-112	Bracket w/Bushing	
159974	7-112	Eccentric	
159975	7-112	Bail, Armature	
159976	7-112	Armature	
159977	7-112	Hinge	
159978	7-112	Shaft	
159979	7-112	Arm, Non-repeat	
159980	7-112	Post, Spring	
159981	7-96	Spacer, 0.109 In. Thk	
159987	7-97	Bracket, Guide	
159988	7-99	Plate, Adjusting	
159989	7-99	Post, Shoe Pivot	

Table 7-3. Typing Perforator (LTPE) - Continued

Part Number	Figure Number(s)	Description	Notes
159990	7-99	Bail, Guide	
159994	7-110	Plate, Lifter Arm Lock	
159995	7-110	Arm, Lifter	
159997	7-110	Screw, 6-40 Eccentric	
160354	7-95	Cam, Function	
160404	7-117	Spring, Contact	
160666	7-114	Guard, Backspace	
160672	7-114	Stud	
160673	7-114	Shaft, Feed Wheel	
160674	7-97,-114	Nut, 6-40 Shoulder	
160839	7-94	Spacer, Shoulder	
160843	7-109	Spring	
160846	7-102	Bushing, Shoulder	
160881	7-114	Modification Kit	
160943	7-101	Housing, Type Wheel Shaft	
160948	7-99	Screw, 2-56 Spl	
161107	7-99	Stud	
161108	7-96	Stud	
161109	7-99,-100	Guidepost	
161139	7-99	Nut, 6-40 Hex	
161323	7-101	Housing, Gear	
161324	7-101	Washer, Flat	
161347	7-104	Washer, Felt	
161431	7-101	Lever, Rotary Correcting	
161440	7-102	Spring	

Table 7-3. Typing Perforator (LTPE) - Continued

Part Number	Figure Number(s)	Description	Notes
161443	7-102	Detent, Axial Shaft	
161444	7-96	Detent, Rotary Shaft	
161493	7-114	Post, Supporting	
161524	7-97	Shaft, Hammer	
162092	7-99	Bail, Tape Guide	
162093	7-99	Spring, Torsion	
162340	7-95	Sleeve	
162341	7-95	Bearing	
162346	7-108	Extension, Adjustable	
162347	7-108	Arm, Ribbon Drive	
162350	7-94	Bail, Rocker	
162362	7-118	Blade, Space Function	
162363	7-118	Stripper	
162375	7-118	Modification Kit	
162763	7-97	Bail, Reset	
162850	7-108,-109	Handle	
162863	7-118	Sleeve, Blocking	
162886	7-104,-117	Screw, 4-40 x 7/32 Hex	
163015	7-94	Pinion, 28T	
163016	7-95	Gear, 49T	
163113	7-101	Washer, Flat	
163290	7-113	Cable Assembly	
163429	7-110	Screw, 6-40 Shoulder	
163675	7-119	Type Wheel, ARK	
163676	7-119	Type Wheel, ARL	
7-132			

Table 7-3. Typing Perforator (LTPE) - Continued

Part Number	Figure Number (s)	Description	Notes
163677	7-119	Type Wheel, ARM	
163678	7-119	Type Wheel, ARP	
163679	7-119	Type Wheel, ARZ	
163680	7-119	Type Wheel, ART	
163681	7-119	Type Wheel, ARY	
163682	7-119	Type Wheel, ARX	
163683	7-119	Type Wheel, ARW	
163684	7-119	Type Wheel, ARV	
163685	7-119	Type Wheel, AWB	
163686	7-119	Type Wheel, AWC	
163687	7-119	Type Wheel, AWD	
163688	7-119	Type Wheel, AWE	
163689	7-119	Type Wheel, ARU	
163690	7-119	Type Wheel, AWF	
164511	7-99	Lever w/Hub	
164513	7-100	Pawl, Feed	
164514	7-96	Guide, Tape	
164515	7-99	Spring, Torsion	
164521	7-109	Plate w/Studs	
164525	7-109	Post, Spring	
164526	7-109	Slide w/Post	
164528	7-109	Bushing	
164529	7-109	Lever, Ribbon Reverse	
164530	7-109	Bushing	
164531	7-109	Pawl, Check	

Table 7-3. Typing Perforator (LTPE) - Continued

Part Number	Figure Number (s)	Description	Notes
164532	7-109	Pawl, Feed	
164535	7-109	Shaft, Right Ribbon Ratchet	
164538	7-109	Shaft, Left Ribbon Ratchet	
164539	7-109	Spring, Ratchet	
164540	7-109	Detent	
164541	7-109	Arm, Ribbon Drive	
164543	7-109	Lever, Adjustable Extension	
164964	7-109	Washer, Felt	
164965	7-109	Washer, Flat	
170199	7-99	Bracket, Anchor	
170219	7-99	Stud, Die Wheel	
170241	7-99	Screw, 6-40 Adjusting	
170242	7-96	Slide, Feed Hole Punch	
170246	7-96	Slide w/Insulator	
170247	7-96	Guide	
170778	7-99	Block Assembly, Punch	
170779	7-99	Wheel, Feed	
170788	7-99	Wheel, Die	
170803	7-98	Bail, Retractor	
172638	7-96	Screw, 6-40 x 9/32 Hex	
172640	7-97	Modification Kit	
172983	7-100	Bracket, Spring	
172984	7-98	Bracket, Spring	
172993	7-98	Spring	
173200	7-95	Sleeve, Bearing	

Table 7-3. Typing Perforator (LTPE) - Continued

Part Number	Figure Number(s)	Description	Notes
173336	7-95	Modification Kit	
173340	7-95	Collar	
173754	7-101	Spacer	
173755	7-101	Guide, Ribbon	
173756	7-101	Lever, Print Hammer	
173770	7-98	Block Assembly, Punch	
173775	7-101	Shaft, Type Wheel	
173965	7-119	Type Wheel, ARA	
173967	7-119	Type Wheel, AWA	
173968	7-119	Type Wheel, ARJ	
173969	7-119	Type Wheel, ARS	
173970	7-119	Type Wheel, ARE	
173971	7-119	Type Wheel, ARC	
173977	7-101	Shaft, Print Hammer	
173978	7-101	Spring, Torsion	
173979	7-101	Head, Hammer	
173980	7-101	Lever, Print Hammer	
173981	7-101	Accelerator, Hammer	
175500 thru 175507	7-119	Type Wheel	
175510 thru 175518	7-119	Type Wheel	
175519	7-119	Type Wheel, AXW	
175520 thru 175529	7-119	Type Wheel	

Table 7-3. Typing Perforator (LTPE) - Continued

Part Number	Figure Number(s)	Description	Notes
175531 thru 175539	7-119	Type Wheel	
175543	7-119	Type Wheel	
175544	7-119	Type Wheel	
175546	7-119	Type Wheel, AYX	
175547	7-119	Type Wheel, AYZ	
175550	7-119	Type Wheel	
175552 thru 175574	7-119	Type Wheel	
175576	7-119	Type Wheel	
175577	7-119	Type Wheel	
175578	7-119	Type Wheel	
175581 thru 175593	7-119	Type Wheel	
175595 thru 175634	7-119	Type Wheel	
175636 thru 175640	7-119	Type Wheel	
175642 thru 175653	7-119	Type Wheel	
175655 thru 175667	7-119	Type Wheel	
175669 thru 175672	7-119	Type Wheel	

Table 7-3. Typing Perforator (LTPE) - Continued

Part Number	Figure Number(s)	Description	Notes
175674 thru 175701	7-119	Type Wheel	
175705 thru 175710	7-119	Type Wheel	
175712 thru 175716	7-119	Type Wheel	
175718 thru 175724	7-119	Type Wheel	
175727 thru 175736	7-119	Type Wheel	
175739 thru 175752	7-119	Type Wheel	
176138	7-101	Modification Kit	
176252	7-94	Washer, Flat	
176489	7-94,-101	Guide	
176490	7-94	Bracket w/Hubs	
176647	7-112	Latch w/Hub	
178178	7-109	Lever, Adjusting	
178916	7-115	Bellcrank	
178917	7-115	Modification Kit	
178918	7-116	Modification Kit	
178919	7-115	Pawl, Backspace	
178920	7-115	Post, Eccentric	
178921	7-115,-116	Plate w/Post	
178922	7-115	Nut, 6-40 Shoulder	

Table 7-3. Typing Perforator (LTPE) - Continued

Part Number	Figure Number(s)	Description	Notes
178923	7-115	Bellcrank Assembly	
178924	7-115	Shaft	
178925	7-115	Ratchet, 24T	
178926	7-115	Screw, 2-56 Spl	
178927	7-115	Clamp, Adjusting	
178930	7-116	Guard	
178931	7-116	Post	
178932	7-116	Post, Supporting	
179274	7-99	Wheel, Feed	
179573	7-100	Nut, 6-40 Hex	
179579	7-109	Decalcomania, Arrow	
192661	7-94	Post	
192709	7-94	Link w/Hub	
192849	7-102	Pushbar, No. 2	
192877	7-101	Bushing, Guide	
193804	7-112	Armature	
193821	7-112	Bracket w/Post	
193822	7-112	Clamp	
193824	7-112	Latch w/Hub	
193825	7-112	Magnet Assembly, Backspace	
193879	7-102	Pushbar, No. 1	
193966	7-111	Bracket w/Stud	
193968	7-111	Post	
193969	7-111	Post	
193972	7-111	Extension w/Stud	

Table 7-3. Typing Perforator (LTPE) - Continued

Part Number	Figure Number(s)	Description	Notes
193974	7-111	Depressor, Tape	
193987	7-111	Bracket, Roller	
194117	7-111	Plate, Clamp	
194118	7-111	Spring, Torsion	
194122	7-111	Platform w/Guide, Tape	
194123	7-111	Screw, 4-40 Spl	
194162	7-100	Bail, Reset	
194992	7-96,-98	Modification Kit	
194993	7-98	Guide, Tape	
195233	7-111	Roller	
195235	7-94,-110	Bail, Rocker	
195284	7-101	O-Ring	
199506	7-98	Gasket	
304543	7-102	Plate, Corrector	
305638	7-100	Bracket, Guide	
307300 thru 307312	7-119	Type Wheel	
307314 thru 307323	7-119	Type Wheel	
307326 thru 307338	7-119	Type Wheel	
307340 thru 307351	7-119	Type Wheel	
307353 thru 307358	7-119	Type Wheel	

Table 7-3. Typing Perforator (LTPE) - Continued

Part Number	Figure Number(s)	Description	Notes
307360 thru 307384	7-119	Type Wheel	
320410	7-113,-117	Terminal, Spade Type	

Table 7-4. Auxiliary Typing Reperforator (LPR)

Part Number	Figure Number(s)	Description	Notes
224M	7-144,-147	Coil, Magnet	
254M	7-107,-132	Coil, Magnet	
281M	7-147	Coil, Magnet	
298M	7-155	Coil, Magnet	
1020	7-123	Screw, 6-40 x 1/4 Hex	
1036	7-124,-156	Nut, 6-40 Hex	
1039	7-156	Screw, 6-40 Shoulder	
1256	7-135	Setscrew, 6-40	
2034	7-105,-131,-144, -145,-146,-147	Washer, Flat	
2191	7-120 thru -136, -138,-141 thru -147,-150 thru -153,-155 thru -159	Lockwasher	
2199	7-126	Nut, 7/16-32 Hex	
2407	7-126	Lockwasher	
2438	7-107,-132	Washer, Flat	
2539	7-135,-146	Nut, 3/8-32 Hex	
2669	7-120,-129	Lockwasher	
3598	7-105,-121 thru -127,-129,-131, -133,-134,-136, -144,-145,-147, -153,-155	Nut, 6-40 Hex	
3599	7-107,-120,-123, -124,-126,-127, -130,-131,-132, -135,-144,-145, -146,-147,-157	Nut, 4-40 Hex	
3603	7-136,-155	Nut, 1/4-32 Hex	

Table 7-4. Auxiliary Typing Reperforator (LPR) - Continued

Part Number	Figure Number(s)	Description	Notes
3606	7-121,-134	Nut, 6-40 Hex	
3640	7-120,-121,-122, -126,-127,-128, -134,-135,-144 thru -148,-152	Lockwasher	
3650	7-144	Washer, Flat	
3870	7-134	Spring	
4703	7-145,-147	Spring	
4812	7-146	Wick, Felt	
5363	7-124	Spring, Compression	
7002	7-105,-120,-121, -123,-124,-126, -127,-128,-130, -131,-134,-143 thru -147,-153, -155,-156,-158	Washer, Flat	
7603	7-145,-147	Spring	
7655	7-146,-147	Spring	
7835	7-138	Ribbon w/Spool, Black	
8330	7-105,-120,-121, -123,-125,-127, -129,-131,-133, -134,-135,-138, -141,-144,-145, -146,-147,-152, -155	Washer, Flat	
22746	7-126,-135	Spring	
33765	7-142	Washer, Flat	
36273	7-155	Washer, Flat	
41382	7-129	Spring	
41543	7-136	Bearing, Ball	
41732	7-140,-143	Plate, Clamp	

Table 7-4. Auxiliary Typing Reperforator (LPR) - Continued

Part Number	Figure Number(s)	Description	Notes
42823	7-120,-122	Washer, Flat	
45104	7-145,-147	Spring	
45963	7-146	Spring	
47024	7-127	Washer, Flat	
49084	7-120	Spring	
49420	7-150	Spring, Torsion	
55063	7-137,-144,-158	Spring	
55669	7-147	Spring	
70878	7-144	Spring	
71437	7-125	Washer, Flat	
71681	7-138	Spool, Ribbon	
72522	7-124	Wick, Felt	
73175	7-135,-146	Lockwasher	
74283	7-129	Washer, Spring	
74553	7-126	Wick, Felt	
76081	7-107,-132	Washer, Flat	
76099	7-107,-132	Washer, Flat	
76422	7-146	Spring	
78533	7-105,-131,-145, -147,-155	Spring	
79012	7-107,-132	Insulator	
80334	7-143	Terminal, Contact	
80516	7-155	Pin, Cotter	
80531	7-138	Washer, Flat	
80755	7-143	Bushing, Insulating	

Table 7-4. Auxiliary Typing Reperforator (LPR) - Continued

Part Number	Figure Number(s)	Description	Notes
80833	7-140	Guard, Contact Spring	
81726	7-140	Terminal	
81731	7-138	Spring	
81778	7-107,-132	Screw, 4-40 x 3/6 Fil	
82392	7-121	Shim, 0.004 In. Thk	
82463	7-145,-147	Spring	
82547	7-140,-143	Insulator, 0.094 In. Thk	
82548	7-140,-143	Insulator, 0.062 In. Thk	
84226	7-138,-145,-147	Spring	
84575	7-144	Spring	
84592	7-147	Shim, 0.004 In. Thk	
85823	7-133,-138,-152	Spacer, 0.188 In. Thk	
86079	7-127,-145	Washer, Felt	
86283	7-133	Spring	
86304	7-142,-150	Spring	
86506	7-120	Post, Spring	
86714	7-138	Washer, Flat	
86774	7-127	Screw, 6-40 Shoulder	
86873	7-147	Spring	
87401	7-120	Spring	
90052	7-130	Screw, 4-40 x 5/8 Hex	
90361	7-125	Washer, Felt	
90517	7-135	Spring	
90535	7-128	Washer, Felt	
90560	7-142	Washer, Flat	

Table 7-4. Auxiliary Typing Reperforator (LPR) - Continued

Part Number	Figure Number(s)	Description	Notes
90573	7-121	Spring	
90606	7-120,-133	Spring	
90615	7-134	Spring	
90789	7-107,-131,-153	Washer, Flat	
90790	7-144	Washer, Flat	
90791	7-124	Lockwasher	
90951	7-128,-140	Lockwasher	
92260	7-134	Lockwasher	
93108	7-136	Lockwasher	
93117	7-150	Lockwasher	
93356	7-120,-124,-152	Washer, Felt	
94669	7-124	Screw, 4-40 Shoulder	
94674	7-155	Washer, Cup	
94712	7-126	Washer, Flat	
96717	7-107,-121,-131	Screw, 4-40 Shoulder	
97266	7-140	Plate, Clamp	
97516	7-138	Bushing	
101123	7-127	Washer, Felt	
104824	7-107,-132,-142	Spring	
108943	7-140	Bushing	
110434	7-105,-120,-129, -131,-155	Screw, 4-40 x 3/16 Fil	
110437	7-128	Spring	

Table 7-4. Auxiliary Typing Reperforator (LPR) - Continued

Part Number	Figure Number(s)	Description	Notes
110743	7-107,-120,-122 thru 133,-135 thru 138,-140, -142 thru -147, -150,-151,-152, -153,-155,-157	Lockwasher	
110879	7-126,-127,-134	Spring	
111017	7-134,-150	Screw, 6-40 x 5/16 Fil	
111410	7-120	Washer, Flat	
111777	7-139	Connector, 4-Pt Receptacle	
111784	7-158	Spacer, 7/32 In. Thk	
112626	7-126,-129,-152	Nut, 10-32 Hex	
112631	7-120	Spring	
112634	7-128	Spring	
113039	7-147	Post, Spring	
114876	7-128,-140	Washer, Flat	
115122	7-126	Washer, Felt	
115134	7-127	Washer, Felt	
115941	7-136	Washer, Flat	
119647	7-124	Ring, Retaining	
119648	7-121,-124,-129, -137,-142,-144 -146,-147,-150, -153	Ring, Retaining	
119649	7-124,-126,-127, -128,-133,-138, -144,-145,-147, -152	Ring, Retaining	
119650	7-125,-133,-134, -138,-153	Ring, Retaining	

Table 7-4. Auxiliary Typing Reperforator (LPR) - Continued

Part Number	Figure Number(s)	Description	Notes
119651	7-120,-126,-127, -128,-134,-138, -142 thru -145, -150,-152,-155,	Ring, Retaining	
119652	7-120,-124,-125, -129,-145,-147, -153	Ring, Retaining	
119653	7-126,-133,-138, -147	Ring, Retaining	
119655	7-146	Ring, Retaining	
119656	7-135,-146	Ring, Retaining	
119662	7-156	Screw, 6-40 Spl	
121100	7-128	Spring	
121242	7-105,-131	Clamp, 1/8 In. ID Cable	
121243	7-105,-131,-139	Clamp, 3/16 In. ID Cable	
121244	7-140	Clamp, 1/4 In. ID Cable	
121245	7-105,-131,-139	Clamp, 5/16 In. ID Cable	
121246	7-105,-131,-139	Clamp, 3/8 In. ID Cable	
122149	7-142	Screw, 4-40 Spl	
124177	7-105,-121,-123, -129,-131,-139, -155	Lockwasher	
125011	7-120,-123,-126, thru -129,-133, thru -137,-142, -145 thru -148, -150,-155	Washer, Flat	
125015	7-107,-121,-124, -126,-132,-134, -153,-159	Washer, Flat	
125215	7-144,-147	Screw, 4-40 x 3/16 Hex	
125231	7-121	Nut, 10-32 Hex	

Table 7-4. Auxiliary Typing Reperforator (LPR) - Continued

Part Number	Figure Number(s)	Description	Notes
125268	7-135	Spring	
125802	7-135,-138	Washer, Flat	
126241	7-155	Lockwasher	
128357	7-125,-128	Ring, Retaining	
130330	7-127	Washer, Felt	
130667	7-155	Lockwasher	
130683	7-155	Lockwasher	
130696	7-127	Washer, Felt	
131016	7-127	Washer, Felt	
135716	7-120	Spring	
135901	7-126	Washer, Cup	
139697	7-136	Screw, 4-40 x 9/32 Fil	
139752	7-120	Screw, 4-40 x 11/64 Fil	
144539	7-135	Shim, 0.005 In. Thk	
144793	7-124	Shaft, Eccentric	
144794	7-124	Spring, Torsion	
144795	7-123	Plate, Rear	
144796	7-124	Plate, Front	
144797	7-124	Shaft, Feed Wheel	
144998	7-124	Post	
144999	7-124	Shoe, Tape	
145353	7-124	Wheel, Pressure	
145356	7-124	Wheel, Feed	
145357	7-124	Guide, Tape	
145358	7-123	Bracket, Tape Guide	
7-148			

Table 7-4. Auxiliary Typing Reperforator (LPR) - Continued

Part Number	Figure Number (s)	Description	Notes
150000	7-122,-146	Drum, Clutch	
150001	7-120,-144	Drum, Clutch	
150013	7-120,-122	Disk, Adjusting	
150026	7-122	Lever, Shoe Release	
150029	7-120,-122	Wick, Felt	
150040	7-122	Screw, 6-40 x 5/8 Fil	
150043	7-120,-122	Shoe, Secondary Clutch	
150044	7-120,-122	Shoe, Primary Clutch	
150048	7-105,-120,-131, -155	Spring	
150089	7-107,-132	Screw, 4-40 x 1/2 Fil	
150241	7-120,-122	Spring	
150327	7-133,-138	Roller, Ribbon	
150355	7-120	Latchlever	
150356	7-120,-136	Lever, Trip	
150411	7-120	Washer, Flat	
150507	7-133	Spring	
150687	7-105,-129,-131, -147,-155	Stud	
150923	7-125	Washer, Felt	
150978	7-107,-132	Screw, 6-40 x 1-1/8 Fil	
150990	7-126	Washer, Felt	
151073	7-120,-125,-137, -142,-152	Screw, 4-40 x 5/32 Fil	
151103	7-107,-131,-155	Spring	

Table 7-4. Auxiliary Typing Reperforator (LPR) - Continued

Part Number	Figure Number(s)	Description	Notes
151152	7-120,-127,-128, -130,-134,-137, -144,-146,-147, -148,-152	Screw, 4-40 x 3/16 Hex	
151222	7-126	Washer, Felt	
151246	7-121	Washer, Flat	
151336	7-107,-131,-136, -155	Oiler	
151346	7-136	Screw, 6-40 x 3/8 Fil	
151362	7-121	Wick, Felt	
151398	7-128	Spring	
151416	7-124,-125	Nut, 6-40 Hex	
151442	7-107,-121,-122, -126,-127,-131, -132,-136,-144, -147,-153	Screw, 6-40 x 1/2 Hex	
151603	7-107,-132	Spacer	
151629	7-120,-125,-126, -135,-146,-147	Nut, 6-40 Lug	
151630	7-105,-120,-124, -126,-127,-131, -133 thru -136, -141,-146,-151, -155,-156	Screw, 6-40 x 1/4 Hex	
151631	7-107,-120,-121, -123,-124,-126, -128,-130,-132, -134,-136,-149, -153,-156	Screw, 6-40 x 5/16 Hex	
151632	7-121,-122,-123, -130,-136,-144, -145,-146,-147, -152,-153,-159	Screw, 6-40 x 3/8 Hex	
151637	7-123,-133,-145, -147,-150	Screw, 4-40 x 1/4 Fil	

Table 7-4. Auxiliary Typing Reperforator (LPR) - Continued

Part Number	Figure Number(s)	Description	Notes
151640	7-120	Lever, Shoe Release	
151642	7-146	Screw, 6-40 x 3/4 Fil	
151657	7-105,-121,-129, -131,-155	Screw, 6-40 x 1/4 Fil	
151658	7-120,-121,-136, -139,-146	Screw, 6-40 x 5/16 Fil	
151659	7-146	Screw, 6-40 x 1/2 Fil	
151685	7-146	Screw, 4-40 x 5/16 Fil	
151686	7-107,-132	Screw, 4-40 x 3/8 Fil	
151687	7-155	Screw, 4-40 x 7/16 Fil	
151688	7-107,-132,-140, -147	Screw, 4-40 x 5/8 Fil	
151690	7-122,-136	Screw, 10-32 x 5/16 Fil	
151692	7-134	Screw, 6-40 x 3/16 Fil	
151693	7-120	Screw, 6-40 x 9/16 Fil	
151700	7-127	Screw, 6-40 Shoulder	
151701	7-105,-131,-155	Spring, Torsion	
151714	7-105,-131,-155	Spring	
151715	7-107,-132	Screw, 6-40 x 3/4 Hex	
151721	7-144	Screw, 6-40 x 3/4 Hex	
151722	7-123,-138,-147, -152,-153	Screw, 6-40 x 3/16 Hex	
151728	7-122	Spring	
151732	7-155	Screw, 4-40 x 11/32 Fil	
151733	7-143	Screw, 4-40 x 9/16 Fil	
151736	7-136	Spring	

Table 7-4. Auxiliary Typing Reperforator (LPR) - Continued

Part Number	Figure Number(s)	Description	Notes
151737	7-120,-122,-125, -135,-136,-138, -144	Screw, 4-40 x 11/64 Hex	
151880	7-130,-138,-147, -153	Nut, 4-40 Hex	
152400	7-105,-107,-131, -132,-136,-146, -152,-153	Plate, Selector Mounting	
152401	7-105,-131,-155	Guide	
152402	7-105,-129,-131, -136,-155	Guide, Selector Lever	
152403	7-105,-131	Bracket, Guide	
152404	7-105,-131,-155	Bracket, Spring	
152405	7-105,-131	Locklever, Marking	
152406	7-105,-131,-155	Bracket, Spring	
152407	7-105,-131,-155	Locklever, Spacing	
152409	7-105,-131,-155	Lever, Selecting	
152410	7-105,-131,-155	Bail, Reset	
152411	7-105,-131,-155	Pushlever	
152412	7-105,-131	Link	
152415	7-107,-132,-136	Stud, Adjusting	
152420	7-107,-132	Lamination, Magnet	
152421	7-107,-132	Bracket, Shield Mounting	
152423	7-107,-132	Bracket, Armature Stop Mtg	
152425	7-107,-132	Post, Spring	
152426	7-107,-132	Nut, 6-40 Self-Locking	
152427	7-129	Latch w/Hub	

Table 7-4. Auxiliary Typing Reperforator (LPR) - Continued

Part Number	Figure Number(s)	Description	Notes
152429	7-129	Rack, Sector	
152432	7-129	Arm, Stop	
152436	7-129	Knob, Range Scale	
152438	7-129	Bail, Stop Arm	
152441	7-129	Washer, Flat	
152445	7-129	Spring, Compression	
152457	7-105,-131,-153	Wick, Felt	
152458	7-107,-132	Shield, Terminal	
152634	7-125	Washer, Flat	
152887	7-128	Screw, 4-40 x 7/16 Hex	
152890	7-155	Washer, Flat	
152891	7-105,-131,-155	Spring	
152893	7-105,-120 thru -126,-128,-131, -135,-137,-140, -144,-145,-147, -152,-155	Screw, 4-40 x 1/4 Hex	
153184	7-107,-132	Post	
153239	7-121,-153	Roller	
153267	7-137	Washer, Felt	
153489	7-129	Detent	
153537	7-153	Screw, 6-40 x 9/32 Hex	
153538	7-105,-131,-153, -156	Screw, 6-40 x 7/16 Hex	
153543	7-107,-132	Armature	
153799	7-135,-146,-155	Screw, 4-40 x 21/64 Hex	
153806	7-134	Spring	

Table 7-4. Auxiliary Typing Reperforator (LPR) - Continued

Part Number	Figure Number(s)	Description	Notes
153817	7-142,-145,-147,-150	Screw, 4-40 x 3/8 Hex	
153819	7-105,-131	Lockwasher	
153839	7-105,-120,-125,-126,-131,-135,-146,-147,-158	Screw, 6-40 x 5/8 Hex	
153841	7-138,-152	Screw, 6-40 x 9/16 Hex	
154235	7-128,-140	Spring	
154242	7-121	Screw, 6-40 x 5/16 Hex	
154244	7-127	Nut, 6-40 Shoulder	
154245	7-140	Spring, Contact	
154246	7-140	Bracket, Contact	
154247	7-140	Contact Assembly	
154335	7-136	Screw, 6-40 x 9/32 Fil	
154352	7-148	Spring	
154396	7-122	Cam w/Pin	
154397	7-120,-121,-122,-135,-136,-146	Shaft w/Bearing	
154398	7-122	Bearing, Needle	
154620	7-105,-131,-155	Wick, Leather	
154621	7-105,-131,-155	Retainer, Wick	
154622	7-105,-131,-155	Lubricator	
154694	7-120,-122	Disc, Clutch Cam	
155090	7-105,-131,-155	Lubricator Assembly	
155096	7-129	Plate, Range Finder Mounting	
155750	7-135,-139,-140,-143,-144	Sleeve, 3/32 ID x 1/2 In.	

Table 7-4. Auxiliary Typing Reperforator (LPR) - Continued

Part Number	Figure Number(s)	Description	Notes
155751	7-139	Sleeve, 1/8 ID x 1 In. Lg Insulating	
155752	7-135,-139,-140 -143,-156	Sleeve, 5/64 ID x 1/2 In. Lg Insulating	
155753	7-107,-132,-139, -140	Sleeve, 1/8 ID x 1/2 In. Lg Insulating	
155754	7-157	Sleeve, 1/16 ID x 1/2 In. Lg Insulating	
155995	7-136	Screw, 6-40 Shoulder	
156008	7-137	Wheel, Feed	
156012	7-137,-152	Spring, Punch Block	
156013	7-125	Screw, 4-40 Spl	
156015	7-123	Plate, Spring	
156016	7-125	Link, Front Drag	
156017	7-125	Shaft, Eccentric	
156019	7-124,-152	Washer, Felt	
156020	7-123	Slide	
156024	7-123,-124,-125, -152	Plate, Rear	
156028	7-123,-124,-137, -141,-144,-146, -147,-149,-151, -152	Plate, Front	
156036	7-124	Guide, Tape	
156040	7-124	Post	
156042	7-124	Post, Spacing	
156043	7-125	Bushing	
156044	7-124	Stud, Die Wheel	
156045	7-124	Shaft, Feed Wheel	

Table 7-4. Auxiliary Typing Reperforator (LPR) - Continued

Part Number	Figure Number(s)	Description	Notes
156046	7-123	Block, Tape Guide	
156047	7-124	Spring, Torsion	
156050	7-124	Stud, Eccentric	
156051	7-125	Bushing, Eccentric	
156052	7-124	Shoe, Tape	
156054	7-124	Lever, Detent	
156055	7-124	Wheel, Die	
156057	7-128	Washer, Flat	
156058	7-125	Link, Rear	
156060	7-125	Shaft, Eccentric	
156061	7-124	Arm, Tape Shoe	
156062	7-124	Post, Pivot	
156067	7-125	Guide, Slide Post	
156069	7-123	Plate	
156070	7-125	Bail, Toggle	
156077	7-125	Plate w/Post	
156089	7-123	Slide w/Insulator	
156090	7-124	Screw, 6-40 Adjusting	
156093	7-125	Washer, Felt	
156094	7-125	Link, Front	
156095	7-125	Bushing	
156099	7-125	Link, Rear Drag	
156103	7-125	Strip, Felt	
156104	7-137	Shaft	
156125	7-135	Shaft	

Table 7-4. Auxiliary Typing Reperforator (LPR) - Continued

Part Number	Figure Number(s)	Description	Notes
156128	7-135	Bushing	
156130	7-135	Lever	
156132	7-135,-146	Bearing, Eccentric	
156136	7-135,-146	Bracket, Shaft Mounting	
156137	7-135,-146	Washer, Felt	
156147	7-135	Arm, Drive	
156152	7-135	Shaft, Feed-Out Drive	
156153	7-135	Collar, Eccentric	
156154	7-135	Collar	
156162	7-125	Washer, Flat	
156163	7-123	Guide	
156165	7-121,-125	Washer, Felt	
156167	7-139	Cable w/Terminals	
156168	7-123	Spring	
156169	7-125	Washer, Felt	
156172	7-137	Rod	
156173	7-123	Stud	
156183	7-124	Bracket, Anchor	
156184	7-124	Bracket, Anchor	
156221	7-130	Lock	
156230	7-134	Stud, Lifter Pivot	
156235	7-120	Guidepost	
156241	7-126	Link, Front	
156242	7-126	Link, Rear	
156243	7-134	Roller, Lifter Arm	

Table 7-4. Auxiliary Typing Reperforator (LPR) - Continued

Part Number	Figure Number(s)	Description	Notes
156248	7-120	Latch	
156252	7-134	Lifter, Function Blade	
156264	7-126,-127	Lifter, Detent	
156265	7-127	Bushing, Shoulder	
156266	7-126,-127	Bushing, Shoulder	
156267	7-136	Lever, Trip	
156268	7-128	Bracket, Spring	
156276	7-126	Eccentric, Right Rotary	
156277	7-126	Eccentric, Left Potary	
156278	7-127	Eccentric	
156286	7-126	Shaft, Right Eccentric	
156287	7-126	Shaft, Left Eccentric	
156288	7-127	Shaft, Axial Eccentric	
156289	7-126	Bearing, Left Front	
156290	7-126	Bearing, Right Front	
156291	7-126	Bearing, Rear	
156292	7-127	Bearing, Upper Axial	
156293	7-127	Bearing, Lower Axial	
156294	7-127	Sector, Axial	
156296	7-128	Post, Retainer	
156300	7-128	Shaft	
156306	7-126	Rod, Right Connecting	
156311	7-126	Rod, Left Connecting	
156313	7-127	Rack, Axial Output	
156316	7-128,-148	Plate, Pear	
7-158			

Table 7-4. Auxiliary Typing Reperforator (LPR) - Continued

Part Number	Figure Number (s)	Description	Notes
156318	7-120	Lever, Reset	
156321	7-127	Shaft, Oscillating	
156322	7-127	Link, Axial Toggle	
156332	7-126	Shaft, Type Wheel	
156366	7-121	Shaft, Rocker Bail	
156369	7-127	Lever, Adjusting	
156382	7-127	Roller, Guide	
156387	7-120	Lever, Trip	
156388	7-120	Lever, Adjusting	
156389	7-126	Gear, 16T	
156390	7-126	Washer, Flat	
156396	7-134	Eccentric	
156397	7-127	Post	
156399	7-121	Nut, 6-40 Shoulder	
156403	7-121	Disk, Bearing	
156408	7-126	Arm, Clamp	
156412	7-121	Link, Drive	
156413	7-134	Link, Drive	
156414	7-133	Plate, Ribbon-Feed Mounting	
156419	7-133	Shaft, Left Ribbon Ratchet	
156421	7-133	Shaft, Right Ribbon Ratchet	
156426	7-133	Washer, Spring	
156427	7-133	Disc, Friction	
156428	7-133	Washer, Felt	
156433	7-133	Pawl, Ribbon-Feed	

Table 7-4. Auxiliary Typing Reperforator (LPR) - Continued

Part Number	Figure Number(s)	Description	Notes
156436	7-133	Arm, Front Ribbon Reversing	
156437	7-133	Arm, Rear Ribbon Reversing	
156440	7-133	Lever, Ribbon Reversing	
156442	7-133	Pawl, Ribbon Reversing	
156462	7-127	Bail, Oscillating	
156465	7-121	Washer, Spring	
156466	7-126	Rack, Type Wheel	
156467	7-121	Ring, Retaining	
156472	7-105,-131	Post, Spring	
156476	7-126	Hammer, Print	
156478	7-126	Accelerator, Hammer	
156484	7-134	Bracket	
156488	7-134	Post, Spring	
156489	7-126,-152	Bushing, Ribbon Guide	
156490	7-120	Guidepost	
156492	7-126	Bracket, Guide	
156493	7-127	Stud	
156501	7-126,-152	Screw, 6-40 x 7/32 Fil	
156515	7-138	Washer, Felt	
156536	7-105,-128,-131, -155	Screw, 4-40 x 1/8 Fil	
156558	7-126	Washer, Felt	
156576	7-121	Washer, Felt	
156577	7-124	Roller, Detent Lever	
156740	7-123,-143,-144, -146	Screw, 6-40 x 7/32 Hex	

Table 7-4. Auxiliary Typing Reperforator (LPR) - Continued

Part Number	Figure Number(s)	Description	Notes
156835	7-126	Ring, Retaining	
156867	7-120,-121,-126, -127,-131,-134	Frame, Main	
156869	7-126,-127	Guide, Fibbon	
156870	7-127	Lever, Ribbon Oscillating	
156871	7-121	Bail, Operating Blade	
156872	7-121	Blade, Operating	
156874	7-126,-127	Screw, 4-40 x 15/16 Fil	
156875	7-127	Screw, 6-40 x 5/32 Fil	
156876	7-121	Bushing	
156877	7-121	Washer, Felt	
156880	7-107,-132	Jumper, 2-3/8 In. Black	
156881	7-107,-132	Jumper, 1-1/2 In. Black	
156884	7-125	Arm, Rocker	
156899	7-121	Stud, Eccentric	
156900	7-121	Roller	
156901	7-133	Post, Eccentric	
156905	7-126	Block, Rack Guide	
156908	7-127	Post, Sector Pivot	
156909	7-127	Post, Toggle Link	
156921	7-121	Guide, Adjusting Lever	
156922	7-128	Arm, Lock Release	
156924	7-127	Plate, Drive Link	
156925	7-127	Roller, Drive Link	
156931	7-126,-152	Bracket, Hammer Mounting	

Table 7-4. Auxiliary Typing Reperforator (LPR) - Continued

Part Number	Figure Number(s)	Description	Notes
156937	7-121,-134	Link, Printing Drive	
156938	7-134	Screw, 6-40 Eccentric Shldr	
156941	7-120	Cam, Selector	
156948	7-127	Wick, Felt	
156976	7-139	Connector, 32-Pt Plug	
156987	7-121	Screw, 6-40 Spl	
156988	7-121	Race, Outer	
156989	7-121	Bearing	
156990	7-121	Face, Inner	
156991	7-135	Pawl, Feed	
156994	7-121	Strip, Felt	
156995	7-121	Post	
156998	7-121	Retainer, Roller	
157194	7-107,-132	Retainer, Spring	
157237	7-107,-132	Shield, Terminal	
157252	7-138	Bushing	
157261	7-129	Shaft, Stop Arm	
158171	7-136	Shaft w/Bearings	
158172	7-136	Latchlever	
158701	7-122	Gear, 35T	
158722	7-145	Hub	
158745	7-121	Clamp, Bearing	
158760	7-144	Post, Spring	
158772	7-130	Screw, 4-40 x 5/8 Hex	

Table 7-4. Auxiliary Typing Reperforator (LPR) - Continued

Part Number	Figure Number(s)	Description	Notes
158777	7-155	Holder, Screw	
158807	7-139	Screw, 3-48 x 11/64 Fil	
158816	7-143	Spring, Contact	
158881	7-136	Nut, 6-40 Shoulder	
158925	7-123	Slide, Tape Depressor	
158940	7-136	Wick, Felt	
158946	7-139	Cable Assembly	
159011	7-120	Bracket, Spring	
159180	7-136,-155	Lubricator Assembly	
159181	7-136,-155	Lubricator	
159184	7-136,-155	Wick, Lubricating	
159185	7-136,-155	Retainer, Wick	
159233	7-123	Stud	
159341	7-121	Camsleeve	
159360	7-140	Modification Kit	
159363	7-142	Modification Kit	
159365	7-123	Modification Kit	
159404	7-127	Post	
159406	7-135	Bracket, Spring	
159411	7-121	Bearing Assembly	
159413	7-133	Plate, Ribbon Reversing	
159427	7-120	Bracket, Stop	
159430	7-120	Lever, Slide Trip	
159431	7-120	Lever, Main Trip	
159434	7-134	Plate, Lifter Mounting	

Table 7-4. Auxiliary Typing Reperforator (LPR) - Continued

Part Number	Figure Number(s)	Description	Notes
159437	7-128	Arm, FIGS Yield	
159438	7-128	Arm, LTFS Yield	
159441	7-120	Guide, Bellcrank	
159447	7-128	Bellcrank	
159448	7-128	Bellcrank	
159450	7-128	Bellcrank	
159459	7-130	Spring	
159460	7-128	Link, Toggle	
159467	7-107,-131,-153	Holder, Wick	
159468	7-128	Arm, Lock	
159470	7-128	Shaft, Lock Arm	
159471	7-128	Bellcrank, LTFS-FIGS	
159472	7-120,-126,-128, -130,-131	Plate, Main	
159476	7-128	Arm, FIGS	
159477	7-128	Arm, LTFS	
159480	7-126	Bushing, Eccentric	
159481	7-128	Arm, FIGS Extension	
159482	7-128	Arm, LTFS Extension	
159483	7-128	Bracket, Spring	
159487	7-128	Plate, Function Box Front	
159488	7-130	Bracket, Transfer Mounting	
159489	7-130	Plate, No. 1	
159490	7-130	Plate, No. 4	
159491	7-130	Plate, No. 2	

Table 7-4. Auxiliary Typing Reperforator (LPR) - Continued

Part Number	Figure Number(s)	Description	Notes
159492	7-130	Plate, No. 0	
159493	7-130	Plate, No. 5	
159494	7-130	Plate, No. 3	
159495	7-130	Beam, No. 5 Pulse	
159496	7-130	Beam, No. 3 Pulse	
159497	7-130	Beam, No. 2 Pulse	
159498	7-130	Lever, No. 5 Pulse	
159499	7-130	Lever, No. 3, No. 4, and No. 5 Transfer	
159500	7-130	Beam, No. 4 Pulse	
159501	7-130	Beam, No. 1 Pulse	
159502	7-130	Guide, Transfer Lever	
159503	7-128	Shaft	
159504	7-130	Spacer, 0.037 In. Thk	
159506	7-121	Post	
159508	7-130	Lever, No. 1 and No. 2 Transfer	
159512	7-134	Link, Printing Trip	
159514	7-128	Blade, BLANK Function	
159515	7-128	Blade, FIGS Function	
159516	7-128	Blade, LTRS Function	
159517	7-128,-140	Blade, Function	
159518	7-128	Blade, Function	
159519	7-127	Bushing, Drive Bail	
159522	7-127	Bushing, Drive Bails	
159523	7-127	Bail, Oscillating Drive	

Table 7-4. Auxiliary Typing Reperforator (LPR) - Continued

Part Number	Figure Number(s)	Description	Notes
159525	7-126,-127	Bracket, Axial Mounting	
159526	7-127,-134	Link, Oscillating	
159528	7-126	Pushbar, No. 5	
159529	7-126	Pushbar, No. 3	
159530	7-126	Pushbar, No. 4	
159531	7-126	Pushbar, LTRS	
159532	7-126	Pushbar, FIGS	
159535	7-126,-127,-128, -133,-138,-152	Plate, Front	
159536	7-128	Gear, 15T	
159539	7-134	Arm, Printing Pivot	
159544	7-120	Release, Clutch	
159560	7-123,-152	Spring	
159563	7-126	Pushbar, LTRS	
159565	7-145,-147	Bracket w/Post	
159597	7-128	Washer, Flat	
159613	7-135	Arm, Clamp	
159621	7-123	Screw, 6-40 Shoulder	
159622	7-123	Clamp, Adjusting	
159625	7-121	Bracket, Bail Guide	
159641	7-140	Cable w/Terminals	
159642	7-126	Shim, 0.008 In. Thk	
159643	7-128	Shim, 0.008 In. Thk	
159653	7-140	Blade, Signal Bell Function	
159654	7-134	Latch, Printing	

Table 7-4. Auxiliary Typing Reperforator (LPR) - Continued

Part Number	Figure Number(s)	Description	Notes
159655	7-139	Cable w/Terminals	
159656	7-137	Block Assembly, Punch	
159658	7-126	Screw, 6-40 x 1-3/32 Hex	
159659	7-126	Shaft, Eccentric	
159861	7-136	Frame, Main	
159865	7-136	Drum, Clutch	
159880	7-136	Slide	
159885	7-136	Gear, 28T	
159886	7-136	Gear, 49T	
159888	7-136	Pinion, 28T	
159889	7-136	Gear, 49T	
159891	7-136	Pinion, 21T	
159892	7-136	Gear, 48T	
159894	7-136	Pinion, 14T	
159895	7-136	Gear, 40T	
159896	7-136	Collar	
159900	7-142	Plate	
159901	7-142	Plate w/Post	
159902	7-142	Shaft, Rake	
159903	7-142	Bellcrank	
159909	7-142	Pawl, Feed	
159910	7-142	Latch, Return	
159911	7-142	Plate	
159912	7-142	Gear, Segment	
159913	7-142,-150	Screw, 6-40 Eccentric	

Table 7-4. Auxiliary Typing Reperforator (LPR) - Continued

Part Number	Figure Number(s)	Description	Notes
159916	7-142	Eccentric	
159954	7-144	Link, Adjusting	
159955	7-144	Link, Drive	
159956	7-143,-144	Post	
159957	7-141,-144	Link	
159958	7-144	Latch	
159959	7-144	Extension	
159960	7-144	Eccentric	
159961	7-144	Arm, Eccentric	
159962	7-144	Ring, Retracting	
159965	7-144	Arm, Adjusting	
159973	7-144	Bracket w/Bushing	
159974	7-144	Eccentric	
159975	7-144	Bail, Armature	
159976	7-144,-147	Armature	
159977	7-144,-147	Hinge	
159978	7-144,-147	Shaft	
159979	7-144	Arm, Non-repeat	
159980	7-144	Post, Spring	
159981	7-123	Spacer, 0.109 In. Thk	
159987	7-142	Bracket, Guide	
159993	7-133	Bracket, Spring	
159994	7-134	Plate, Lifter Arm Lock	
159995	7-134	Arm, Lifter	
159997	7-134	Screw, 6-40 Eccentric	

Table 7-4. Auxiliary Typing Reperforator (LPR) - Continued

Part Number	Figure Number(s)	Description	Notes
160182	7-107,-132	Bracket w/Button	
160184	7-107,-132	Plate, Stop	
160186	7-107,-132	Bushing, Shoulder	
160354	7-136	Cam, Function	
160404	7-140,-143	Spring, Contact	
160480	7-125	Pusher, Tape	
160583	7-143	Spring, Contact	
160666	7-141	Guard, Backspace	
160672	7-141	Stud	
160673	7-141	Shaft, Feed Wheel	
160674	7-141,-142	Nut, 6-40 Shoulder	
160839	7-121	Spacer, Shoulder	
160842	7-135,-146	Washer, Spring	
160843	7-138	Spring	
160846	7-128	Bushing, Shoulder	
160881	7-141	Modification Kit	
160943	7-126,-152	Housing, Type Wheel Shaft	
160948	7-124,-150	Screw, 2-56 Spl	
160987	7-153	Pad, Tape Container	
161107	7-124	Stud	
161108	7-123	Stud	
161109	7-124,-125	Guidepost	
161139	7-124	Nut, 6-40 Hex	
161237	7-139	Cable Assembly	
161238	7-139	Connector, 36-Pt Receptacle	

Table 7-4. Auxiliary Typing Reperforator (LPR) - Continued

Part Number	Figure Number(s)	Description	Notes
161239	7-139	Connector, 36-Pt Plug	
161240	7-139	Bracket, Connector	
161304	7-142	Modification Kit	
161305	7-139	Cable Assembly	
161323	7-126,-152	Housing, Gear	
161324	7-126	Washer, Flat	
161342	7-155	Lever, Start	
161347	7-128	Washer, Felt	
161431	7-126	Lever, Potary Correcting	
161440	7-127,-134	Spring	
161443	7-127	Detent, Axial Shaft	
161444	7-126	Detent, Rotary Shaft	
161493	7-141	Post, Supporting	
161524	7-126	Shaft, Hammer	
161770	7-159	Bracket, Mounting	
161828	7-149	Modification Kit	
161928	7-149	Post, Supporting	
161930	7-149	Lever	
162064	7-139	Cable w/Terminals	
162207	7-144	Cable w/Terminals	
162211	7-140	Cable, Bell Contact	
162242	7-140	Modification Kit	
162245	7-144	Modification Kit	
162248	7-122,-136	Hub	
7-170			

Table 7-4. Auxiliary Typing Reperforator (LPR) - Continued

Part Number	Figure Number(s)	Description	Notes
162347	7-134	Arm, Ribbon Drive	
162350	7-121,-134	Bail, Rocker	
162362	7-148	Blade, Unshift-on-Space	
162363	7-148	Strippers	
162375	7-148	Modification Kit	
162379	7-145,-146	Modification Kit	
162380	7-146,-147	Modification Kit	
162381	7-145,-146,-147	Modification Kit	
162741	7-146	Cam	
162742	7-146	Pawl, Detent	
162743	7-146	Pawl, Feed	
162744	7-146	Shaft	
162748	7-146	Lever	
162750	7-146	Lever	
162752	7-146	Collar	
162753	7-146	Spacer, 0.813 In. Thk	
162754	7-146	Plate	
162755	7-146	Bracket, Spring	
162756	7-146	Bushing	
162757	7-146	Shaft	
162758	7-146	Lever, Cam Follower	
162760	7-145,-147	Latch	
162761	7-145	Post	
162762	7-146	Storage Assembly, Slide	
162763	7-125,-146	Bail, Reset	

Table 7-4. Auxiliary Typing Reperforator (LPR) - Continued

Part Number	Figure Number(s)	Description	Notes
162764	7-146	Lever, Slide Trip	
162765	7-146,-155	Bracket	
162766	7-146	Plate w/Post	
162768	7-146	Latch	
162770	7-146	Plate w/Stud	
162772	7-146	Link	
162773	7-143,-145,-147	Plate, Main	
162774	7-145,-147	Post, Spring	
162775	7-145,-147	Shaft	
162776	7-145	Plate	
162778	7-145,-147	Lever	
162780	7-143,-145,-147	Shaft	
162781	7-145,-147	Lever	
162784	7-145,-147	Screw, 4-40 Eccentric	
162785	7-145,-147	Bushing, Eccentric	
162786	7-145,-147	Arm, Blocking	
162788	7-145,-147	Post	
162790	7-145	Lever w/Hub	
162791	7-145,-147	Shaft	
162792	7-145,-147	Arm, Detent	
162793	7-145,-147	Ratchet, 42T	
162794	7-145,-147	Hub, Backstop	
162795	7-145,-147	Ratchet, 42T	
162796	7-145	Cam	
162797	7-145,-147	Plate, Adjusting	

Table 7-4. Auxiliary Typing Reperforator (LPR) - Continued

Part Number	Figure Number(s)	Description	Notes
162798	7-145,-147	Roller	
162799	7-145,-147	Post, Spring	
162800	7-145,-147	Block, Stop	
162802	7-145,-147	Pawl, Detent	
162803	7-145	Post, Drive Link	
162804	7-145	Link, Drive	
162809	7-147	Spring	
162850	7-138,-152,-157	Handle	
162862	7-120,-135	Bar, Mounting	
162863	7-148	Sleeve, Blocking	
162886	7-128,-140	Screw, 4-40 x 7/32 Hex	
163015	7-136	Pinion, 28T	
163016	7-136	Gear, 49T	
163018	7-136	Gear, 49T	
163019	7-136	Pinion, 21T	
163020	7-136	Gear, 48T	
163021	7-136	Pinion, 28T	
163022	7-136	Gear, 80T	
163023	7-136	Gearset, 60 WPM	
163024	7-136	Gearset, 75 WPM	
163025	7-136	Gearset, 100 WPM	
163113	7-126	Washer, Flat	
163114	7-145,-147	Post, Spring	
163255	7-145,-147	Nut, 6-40 Shoulder	
163303	7-134	Bracket, Spring	

Table 7-4. Auxiliary Typing Reperforator (LPR) - Continued

Part Number	Figure Number(s)	Description	Notes
163326	7-146	Lever w/Hub	
163327	7-135,-146	Ring, Retaining	
163347	7-145,-146	Modification Kit	
163351	7-145	Cam	
163429	7-134	Screw, 6-40 Shoulder	
163455	7-136	Pinion, 20T	
163456	7-136	Gear, 52T	
163457	7-136	Gear, 71 WPM	
163476	7-122	Gear, 42T	
163500	7-136	Gear 52T	
163501	7-136	Pinion, 30T	
163502	7-136	Gearset, 107 WPM	
163587	7-159	Bracket, Mounting	
163674	7-152	Chute, Chad	
163675 thru 163690	7-154	Type Wheel	
164386	7-107,-132	Bracket, Magnet Mounting	
164402	7-128	Blade, Uncoded Function	
164511	7-124	Lever w/Hub	
164513	7-125	Pawl, Feed	
164514	7-123	Guide, Tape	
164515	7-124	Spring, Torsion	
164520	7-133,-138	Feed Assembly, Ribbon	
164521	7-138,-152	Plate w/Studs	
164525	7-138	Post, Spring	
7-174			

Table 7-4. Auxiliary Typing Reperforator (LPR) - Continued

Part Number	Figure Number(s)	Description	Notes
164526	7-138	Slide w/Post	
164528	7-138	Bushing	
164529	7-138	Lever, Ribbon Reverse	
164530	7-138	Bushing	
164531	7-138	Pawl, Check	
164532	7-138	Pawl, Feed	
164535	7-138	Shaft, Right Ribbon Ratchet	
164538	7-138	Shaft, Left Ribbon Ratchet	
164539	7-138	Spring, Compression	
164540	7-138	Detent	
164541	7-138,-152	Arm, Ribbon Drive	
164543	7-138	Lever, Adjustable Extension	
164883	7-147	Lever, Cam Follower	
164884	7-147	Lever w/Stud	
164886	7-147	Link	
164887	7-147	Post	
164888	7-147	Lever w/Post	
164958	7-155	Screw, 4-40 x 1/2 Hex	
164963	7-123	Modification Kit	
164964	7-138	Washer, Felt	
164965	7-138	Washer, Flat	
165027	7-107,-132	Network, Spark Suppression	
170219	7-124,-152	Stud, Die Wheel	
170239	7-125	Bracket, Spring	
170241	7-123,-124,-152	Screw, 6-40 Adjusting	

Table 7-4. Auxiliary Typing Reperforator (LPR) - Continued

Part Number	Figure Number(s)	Description	Notes
170242	7-123,-152	Slide, Feed Hole Punch	
170243	7-123,-152	Slide, Code Hole Punch	
170246	7-123	Slide w/Insulator	
170247	7-123,-152	Guide	
170248	7-152	Pin, Feed Hole Punch	
170249	7-152	Pin, Feed Hole Punch	
170778	7-137	Block Assembly, Punch	
170779	7-137,-152	Wheel, Feed	
170788	7-124,-152	Wheel, Die	
170803	7-137	Bail, Retractor	
170879	7-123	Slide, Feed Hole Punch	
171954	7-155	Connector, Blue Shielding	
172631	7-122	Gear, 42T	
172638	7-123	Screw, 6-40 x 9/32 Hex	
172640	7-142	Modification Kit	
172983	7-125	Bracket, Spring	
172984	7-137,-152	Bracket, Spring	
172993	7-137,-152	Spring	
173125	7-135	Spacer, 0.050 In. Thk	
173126	7-135	Arm	
173133	7-135	Pawl, Feed	
173134	7-135	Cable	
173200	7-122,-136,-138	Sleeve, Bearing	
173336	7-122	Modification Kit	
173340	7-122	Collar	
7-176			

Table 7-4. Auxiliary Typing Reperforator (LPR) - Continued

Part Number	Figure Number(s)	Description	Notes
173443	7-146,-147	Modification Kit	
173601	7-146	Cam	
173602	7-147	Plate w/Stud	
173604	7-147	Post, Spring	
173606	7-147	Bail w/Hub	
173607	7-147	Lever	
173608	7-147	Spring, Torsion	
173609	7-147	Roller	
173614	7-147	Link w/Stud	
173616	7-147	Lever w/Hub	
173618	7-147	Bail	
173619	7-147	Bracket, Magnet	
173620	7-147	Bail, Armature	
173621	7-147	Cable w/Terminals	
173691	7-147	Cam	
173754	7-126,-152	Spacer	
173755	7-126,-152	Guide, Ribbon	
173756	7-126,-152	Lever, Print Hammer	
173770	7-137,-152	Block Assembly, Punch	
173775	7-126,-152	Shaft, Type Wheel	
173965	7-154	Type Wheel	
173967 thru 173971	7-154	Type Wheel	
173977	7-126,-152	Shaft, Print Hammer	
173978	7-126,-152	Spring, Torsion	

Table 7-4. Auxiliary Typing Reperforator (LPR) - Continued

Part Number	Figure Number(s)	Description	Notes
173979	7-126,-152	Head, Hammer	
173980	7-126	Lever, Print Hammer	
173981	7-126,-152	Accelerator, Hammer	
173992	7-136	Gearset, 65 WPM	
173993	7-136	Pinion, 14T	
173994	7-136	Gear, 40T	
174150	7-137	Block Assembly, Punch	
174151	7-123	Guide, 7/8 In. Tape	
174152	7-124	Guide, Tape	
174155	7-124	Guide, Tape	
174317	7-128	Blade, Function	
174357	7-137	Block Assembly, Punch	
175500 thru 175507	7-154	Type Wheel	
175510 thru 175529	7-154	Type Wheel	
175531 thru 175539	7-154	Type Wheel	
175543	7-154	Type Wheel	
175544	7-154	Type Wheel	
175546	7-154	Type Wheel	
175547	7-154	Type Wheel	
175550	7-154	Type Wheel	
175552 thru 175574	7-154	Type Wheel	
7-178			

Table 7-4. Auxiliary Typing Reperforator (LPR) - Continued

Part Number	Figure Number(s)	Description	Notes
175576 thru 175579	7-154	Type Wheel	
175581 thru 175593	7-154	Type Wheel	
175595 thru 175634	7-154	Type Wheel	
175636 thru 175640	7-154	Type Wheel	
175642 thru 175653	7-154	Type Wheel	
175655 thru 175667	7-154	Type Wheel	
175669 thru 175672	7-154	Type Wheel	
175674 thru 175701	7-154	Type Wheel	
175705 thru 175710	7-154	Type Wheel	
175712 thru 175716	7-154	Type Wheel	
175718 thru 175724	7-154	Type Wheel	
175727 thru 175736	7-154	Type Wheel	

Table 7-4. Auxiliary Typing Reperforator (LPR) - Continued

Part Number	Figure Number (s)	Description	Notes
175739 thru 175752	7-154	Type Wheel	
176138	7-126	Modification Kit	
176151	7-152	Pin, Guide	
176252	7-121,-156	Washer, Flat	
176254	7-128	Blade, Function	
176266	7-120	Spring, Torsion	
176286	7-146	Lever, Adjusting	
176489	7-120,-121	Guide	
176490	7-105,-120,-131, -135,-146	Bracket w/Hubs	
176491	7-120	Bracket Assembly	
176621	7-143	Modification Kit	
176622	7-143	Bail	
176623	7-143	Bracket, Mounting	
176624	7-143	Contact Assembly	
176628	7-143,-146,-147	Modification Kit	
176640	7-105,-131,-152	Guard, Tape	
176647	7-144	Latch w/Hub	
176673	7-107,-132	Suppressor Assembly, Spark	
178178	7-138,-152	Lever, Adjusting	
178834	7-152	Modification Kit	
178916	7-150	Bellcrank	
178917	7-150	Modification Kit	
178918	7-151	Modification Kit	

Table 7-4. Auxiliary Typing Reperforator (LPR) - Continued

Part Number	Figure Number(s)	Description	Notes
178919	7-150	Pawl, Backspace	
178920	7-150	Post, Eccentric	
178921	7-150,-151	Plate w/Post	
178922	7-150	Nut, 6-40 Shoulder	
178923	7-150	Bellcrank Assembly	
178924	7-150	Shaft	
178925	7-150	Ratchet, 24T	
178927	7-150	Clamp, Adjusting	
178930	7-151	Guard	
178931	7-151	Post	
178932	7-151	Post, Supporting	
179274	7-124,-137	Wheel, Feed	
179462	7-128	Blade, Uncoded Function	
179573	7-146	Nut, 6-40 Hex	
179579	7-138	Decalcomania, Arrow	
179628	7-139	Cable Assembly	
180718	7-124	Spring	
181204	7-155	Washer, Flat	
181284	7-120	Spring	
192661	7-121	Post	
192709	7-121	Link w/Hub	
192778	7-148	Blade, Unshift-on-T	
192779	7-148	Modification Kit	
192849	7-127	Pushbar, No. 2	
192877	7-126	Bushing, Guide	

Table 7-4. Auxiliary Typing Reperforator (LPR) - Continued

Part Number	Figure Number(s)	Description	Notes
193639	7-146,-147	Lever w/Shaft	
193668	7-148	Blade, Unshift-on-Blank	
193669	7-148	Modification Kit	
193804	7-144	Armature	
193821	7-144	Bracket w/Post	
193822	7-144	Clamp	
193824	7-144	Latch w/Hub	
193825	7-144	Magnet Assembly, Backspace	
193879	7-127	Pushbar, No. 1	
193966	7-153	Bracket w/Stud	
193968	7-153	Post	
193969	7-153,-156	Post	
193972	7-153	Extension w/Stud	
193973	7-105,-131	Platform, Tape	
193974	7-153	Depressor, Tape	
193983	7-153	Guide, Tape	
193987	7-153,-156	Bracket, Roller	
193988	7-105,-131,-153	Modification Kit	
194076	7-153	Modification Kit	
194081	7-159	Guide, Tape	
194117	7-153	Plate, Clamp	
194118	7-153	Spring, Torsion	
194122	7-153	Platform w/Guide, Tape	
194123	7-153	Screw, 4-40 Spl	
194164	7-146,-147	Bearing, Ball	
7-182			

Table 7-4. Auxiliary Typing Reperforator (LPR) - Continued

Part Number	Figure Number(s)	Description	Notes
194168	7-146	Lever, Cam Follower	
194179	7-146	Bearing, Eccentric	
194180	7-146	Cam	
194181	7-146	Sleeve	
194197	7-147	Spring, Torsion	
194992	7-123	Modification Kit	
194993	7-123,-137	Guide, Tape	
195182	7-136	Pinion, 20T	
195183	7-136	Gear, 52T	
195184	7-136	Gearset, 67 WPM	
195231	7-153	Spring, Compression	
195233	7-153	Roller	
195235	7-121	Bail, Pocker	
195251	7-107,-132	Armature, Selector	
195284	7-126	Ring	
195401	7-139	Cable w/Terminals	
195634	7-107,-132	Modification Kit	
198070	7-147	Modification Kit	
199403	7-147	Screw, 4-40 Shoulder	
199417	7-152	Screw, 2-56 x 5/32 Fil	
199506	7-137	Gasket	
199825	7-147	Bail w/Hub	
199859	7-146	Bushing	
304515	7-124	Modification Kit	
304516	7-124	Shaft, Feed Wheel	

Table 7-4. Auxiliary Typing Reperforator (IPR) - Continued

Part Number	Figure Number(s)	Description	Notes
304532	7-146	Spring	
304542	7-134	Extension, Drive Link	
304543	7-127	Plate, Corrector	
305638	7-125	Bracket, Guide	
306755	7-105,-131,-155	Lever, Marking Lock	
307300 thru 307312	7-154	Type Wheel	
307314 thru 307323	7-154	Type Wheel	
307326 thru 307338	7-154	Type Wheel	
307340 thru 307351	7-154	Type Wheel	
307353 thru 307358	7-154	Type Wheel	
307360 thru 307384	7-154	Type Wheel	
311717	7-156	Adapter, Wick	
311718	7-155	Bushing, Shoulder	
319202	7-155	Insulator	
319204	7-155	Selector Assembly	
319207	7-155	Cover	
319208	7-155	Post	
319209	7-155	Plate, Nut	
319211	7-155	Bracket, Coil Mounting	
7-184			

Table 7-4. Auxiliary Typing Reperforator (LPR) - Continued

Part Number	Figure Number(s)	Description	Notes
319212	7-155	Bracket w/Button	
319213	7-155	Bushing	
319214	7-155	Screw, 6-40 Spl	
319215	7-155	Anchor, Spring	
319216	7-155	Wedge	
319217	7-155	Screw, Adjusting	
319219	7-155	Base w/Bushing	
319220	7-155	Armature	
319221	7-155	Spring	
319223	7-155	Lamination, Magnet	
319224	7-155	Plate, Tie	
319225	7-155	Plate, Selector Mounting	
319226	7-155	Link	
319227	7-155	Link	
319228	7-155	Post	
319229	7-155	Screw, 4-40 Shoulder	
319234	7-156	Guide, Tape	
319235	7-156	Platform, Tape	
319236	7-156	Depressor, Tape	
319237	7-156	Post	
319238	7-155	Nut, 12-32 Hex	
319240	7-155,-157	Cable Assembly	
319241	7-155	Washer, Captive	
319242	7-155	Bushing, Slotted	
319243	7-155	Strip, 5 In. Shielded	

Table 7-4. Auxiliary Typing Reperforator (LPR) - Continued

Part Number	Figure Number(s)	Description	Notes
319246	7-155	Bushing	
319247	7-156	Cable Assembly	
319248	7-155	Strap	
320408	7-132	Terminal, Spade Type	
320410	7-139,-140,-144,-147	Terminal, Spade Type	
320418	7-107,-132,-139	Terminal, Ring Type	
321235	7-155	Connector, 3-Pt Receptacle	
321236	7-155	Coupling, Connector	
321237	7-155	Nut, 3/8-32 Spl	
321238	7-155	Sleeve	
321239	7-157	Bracket, Connector Mounting	
326457	7-157	Bracket	
327120	7-153	Post	
327383	7-155	Selector Assembly	

Table 7-5. Auxiliary Typing Reperforator Base (LRB)

Part Number	Figure Number(s)	Description	Notes
1163	7-160	Screw, 4-40 x 3/16 Fil	
2191	7-160 thru -168,	Lockwasher	
2449	7-161,-165	Lockwasher	
2669	7-160 thru -165, -168	Lockwasher	
3438	7-161	Washer, Flat	
3598	7-161,-168	Nut, 6-40 Hex	
3606	7-161,-162	Nut, 6-40 Hex	
3640	7-163,-164,-168	Lockwasher	
3870	7-161	Spring	
7002	7-161,-168	Washer, Flat	
7599	7-163	Spring, Compression	
8449	7-161,	Spacer, 0.094 In. Thk	
25123	7-165	Screw, 1/4-32 x 7/16 Hex	
71073	7-161	Washer, Flat	
71858	7-161	Washer, Flat	
76461	7-161	Washer, Flat	
82832	7-161	Lockwasher	
90560	7-168	Washer, Flat	
90606	7-161	Spring	
91683	7-166,-167	Nut, 15/32-32 Hex	
91684	7-166,-167	Nut, 15/32-32 Ring	
91768	7-167	Jumper, 3-1/2 In. Black	
92146	7-161	Nut, 1/4-20 Hex	
92265	7-161	Screw, 2-56 x 1/8 Rd	

Table 7-5. Auxiliary Typing Reperforator Base (LRB) - Continued

Part Number	Figure Number(s)	Description	Notes
93117	7-161	Lockwasher	
95320	7-167	Switch, SP-ST Toggle	
98736	7-160	Switch, SP-ST Toggle	
99978	7-166	Connector, 4-Pt Plug	
101633	7-162	Washer, Flat	
104807	7-168	Washer, Flat	
110435	7-161	Nut, 4-40 Hex	
110743	7-160,-161,-163, -168	Lockwasher	
111017	7-160	Screw, 6-40 x 5/16 Fil	
114125	7-163	Screw, 6-40 x 3/8 Hex	
116783	7-160	Holder, Fuse	
117535	7-160,-161	Washer, Flat	
119651	7-163	Ring, Retaining	
119652	7-163	Ring, Retaining	
120175	7-160,-166	Plate, ON-OFF	
124177	7-163	Lockwasher	
125011	7-160,-168	Washer, Flat	
125015	7-161,-162,-165	Washer, Flat	
126959	7-160	Washer, Flat	
129919	7-160	Fuse, SL-BL 4 Amp	
130499	7-162,-163	Bearing, Ball	
130892	7-163	Washer, Felt	
145320	7-166	Connector, 4-Pt Receptacle	
150089	7-163	Screw, 4-40 x 1/2 Fil	

Table 7-5. Auxiliary Typing Reperforator Base (LRB) - Continued

Part Number	Figure Number(s)	Description	Notes
150652	7-163	Screw, 4-40 x 37/64 Fil	
150949	7-161	Plate, Serial	
150950	7-161	Plate, Code	
150992	7-161	Stud	
151152	7-163,-168	Screw, 4-40 x 3/16 Hex	
151229	7-161	Washer, Flat	
151346	7-162,-163	Screw, 6-40 x 3/8 Fil	
151411	7-160	Block, Terminal	
151412	7-160	Insulator	
151416	7-160	Nut, 6-40 Hex	
151442	7-162	Screw, 6-40 x 1/2 Hex	
151572	7-165	Lockwasher	
151606	7-162	Screw, 10-32 x 1/4 Hex	
151618	7-163	Screw, 6-40 x 7/16 Fil	
151630	7-161,-162,-168	Screw, 6-40 x 1/4 Hex	
151631	7-161,-162,-165	Screw, 6-40 x 5/16 Hex	
151632	7-161,-162,-165, -168	Screw, 6-40 x 3/8 Hex	
151657	7-163	Screw, 6-40 x 1/4 Fil	
151658	7-162,-164	Screw, 6-40 x 5/16 Fil	
151686	7-160	Screw, 4-40 x 3/8 Fil	
151693	7-160	Screw, 6-40 x 9/16 Fil	
151723	7-160,-161	Screw, 10-32 x 3/8 Hex	
151731	7-164	Screw, 4-40 x 7/8 Fil	
151732	7-163	Screw, 4-40 x 11/32 Fil	

Table 7-5. Auxiliary Typing Reperforator Base (LRB) - Continued

Part Number	Figure Number(s)	Description	Notes
151733	7-163	Screw, 4-40 x 9/16 Fil	
151819	7-167	Jumper, 3 In. Black	
151880	7-164	Nut, 4-40 Hex	
152893	7-168	Screw, 4-40 x 1/4 Hex	
153442	7-160,-161	Screw, 10-32 x 1/4 Hex	
153539	7-161	Screw, 6-40 x 11/16 Hex	
153819	7-161	Lockwasher	
154076	7-165	Plate, Nut	
155023	7-166	Switch, DP-DT Toggle	
155750	7-166,-167	Sleeve, 3/32 ID x 1/2 In. Lg Insulating	
155752	7-167	Sleeve, 5/64 ID x 1/2 In. Lg Insulating	
155753	7-160,-166,-167	Sleeve, 1/8 ID x 1/2 In. Lg Insulating	
155754	7-167	Sleeve, 1/16 ID x 1/2 In. Lg Insulating	
156057	7-163	Washer, Flat	
156400	7-163	Pulley, 28T	
156448	7-161	Bushing	
156449	7-161	Lever, Switch	
156451	7-161	Bushing	
156588	7-162	Ring, Retaining	
156769	7-161	Plate, Teletype Ident	
156807	7-162	Disk	
156808	7-162	Disk	
158163	7-161	Switch, Sensitive	
7-190			

Table 7-5. Auxiliary Typing Reperforator Base (LRB) - Continued

Part Number	Figure Number(s)	Description	Notes
158215	7-168	Plate, Nut	
158239	7-161	Lever, Tape	
158289	7-161	Reel, Tape	
158712	7-163	Gear, 26T	
158716	7-163	Gear, 39T	
158723	7-163	Roller	
158732	7-163	Gear, 24T and 18T	
158733	7-163	Gear, 44T	
158734	7-163	Gear, 47T	
158736	7-163	Nut, 6-40 Cap	
158740	7-163	Block	
158741	7-163	Bar	
158745	7-162	Clamp, Bearing	
158807	7-160	Screw, 3-48 x 11/64 Fil	
159287	7-162	Retainer, Pinion	
159341	7-162	Bearing, Ball	
159541	7-167	Connector, 16-Pt Plug	
159542	7-167	Connector, 16-Pt Receptacle	
160369	7-166	Switch, NO Pushbutton	
161238	7-160,-161,-167	Connector, 36-Pt Receptacle	
161239	7-160,-161,-167	Connector, 36-Pt Plug	
161301	7-162	Post	
161505	7-161	Stud	
161511	7-163,-164	Retainer, Belt	

Table 7-5. Auxiliary Typing Reperforator Base (LRB) - Continued

Part Number	Figure Number(s)	Description	Notes
161770	7-161	Bracket, Mounting	
161772	7-162,-163	Bracket	
161773	7-161	Container, Tape	
161777	7-165	Stud, Mounting	
161778	7-165	Stud, Mounting	
161779	7-162,-163,-164	Shaft w/Bearing	
161780	7-162	Retainer	
161781	7-162	Hub	
161782	7-162	Gear, 90T	
161783	7-162	Pinion, 45T	
161784	7-164	Pinion, 18T	
161785	7-164	Pinion, 24T	
161786	7-164	Pinion, 26T	
161787	7-162,-163	Shaft w/Bearing	
161788	7-163,-164	Hub	
161789	7-163,-164	Pulley, 16T	
161790	7-164	Gear, 44T	
161791	7-164	Gear, 47T	
161792	7-164	Gear, 39T	
161793	7-163	Block	
161794	7-163	Block, Slide	
161795	7-163	Stud	
161796	7-163	Stud	
161797	7-163	Plate, Index	
161798	7-165	Guide w/Bracket, Tape	

Table 7-5. Auxiliary Typing Reperforator Base (LRB) - Continued

Part Number	Figure Number(s)	Description	Notes
161800	7-165	Bracket	
161801	7-160	Bracket, Mounting	
161803	7-161	Guide, Tape	
161805	7-162	Guard, Gear	
161806	7-163	Belt, 48T	
161807	7-163	Gearshift Assembly	
161809	7-162	Stud	
161811	7-164	Gearset, 60 WPM	
161812	7-164	Gearset, 75 WPM	
161813	7-164	Gearset, 100 WPM	
161815	7-165	Modification Kit	
161817	7-160	Connector, 2-Pt Plug	
161818	7-167	Connector, 2-Pt Receptacle	
161819	7-162	Guard, Gear	
161821	7-161	Cable Assembly	
161824	7-162,-163	Stud	
161826	7-161	Plate	
162075	7-161	Reel, Tape	
162730	7-161	Screw, 1/4-20 x 7/16 Hex	
162920	7-168	Chute, Chad	
163262	7-163	Gear, 49T	
163446	7-164	Pinion, 22T	
163447	7-164	Gear, 49T	
163448	7-164	Gearset, 70 WPM	

Table 7-5. Auxiliary Typing Reperforator Base (LRB) - Continued

Part Number	Figure Number(s)	Description	Notes
163449	7-164	Pinion, 27T	
163450	7-164	Gear, 40T	
163451	7-164	Gearset, 107 WPM	
163587	7-161	Bracket, Mounting	
163674	7-168	Chute, Chad	
164272	7-168	Modification Kit	
164273	7-168	Chute, Chad	
164275	7-168	Chute, Chad	
164278	7-168	Chute, Chad	
164279	7-168	Chute, Chad	
164590	7-167	Connector, 24-Pt Plug	
170306	7-168	Modification Kit	
173820	7-164	Gearset, 65 WPM	
173821	7-164	Pinion, 20T	
173822	7-164	Gear, 49T	
176071	7-163	Gear, 52T	
176072	7-163	Gear, 35T	
176287	7-165	Modification Kit	
176288	7-165	Guide, Tape	
176422	7-165	Bracket, Mounting	
178426	7-161	Plate, Nut	
178427	7-161	Plate, Nut	
178837	7-166	Plate, Control	
178838	7-166	Modification Kit	
178869	7-163	Gearshift Assembly	

7-194

Table 7-5. Auxiliary Typing Reperforator Base (LRB) - Continued

Part Number	Figure Number(s)	Description	Notes
178870	7-163	Gear, 22T and 18T	
178885	7-163	Plate, Index	
178910	7-163	Spacer	
179252	7-168	Modification Kit	
179256	7-168	Chute, Chad	
179492	7-165	Modification Kit	
179962	7-163	Gear, 40T	
179963	7-163	Gear, 27T	
185684	7-160	Plate, Identification	
192678	7-163	Gearshift Assembly	
192680	7-163	Plate, Index	
194077	7-161	Modification Kit	
194081	7-161	Guide, Tape	
194082	7-161	Guide w/Roller, Tape	
194862	7-168	Extension	
199398	7-160	Insulator	
199908	7-167	Jumper, 3-1/2 In. White	
199909	7-167	Jumper, 6-7/8 In. Black	
304918	7-166	Plate, Identification	
305575	7-162	Pinion, 51T	
305576	7-162	Gear, 85T	
305580	7-163	Bracket Assembly, Gearshift	
312475	7-166	Cable Assembly	
312476	7-166	Cable Assembly	
315536	7-163	Modification Kit	

Table 7-5. Auxiliary Typing Reperforator Base (LRB) - Continued

Part Number	Figure Number(s)	Description	Notes
319918	7-164	Pinion, 25T	
319919	7-164	Gear, 51T	
319920	7-164	Gearset, 65 WPM	
319921	7-164	Pinion, 28T	
319922	7-164	Gear, 52T	
319923	7-164	Gearset, 71 WPM	
319924	7-164	Pinion, 21T	
319925	7-164	Gear, 26T	
319926	7-164	Gearset, 107 WPM	
320410	7-161,-166,-167	Terminal, Spade Type	
320416	7-167	Terminal, Ring Type	
320418	7-167	Terminal, Ring Type	
320420	7-167	Terminal, Ring Type	
320422	7-167	Terminal, Ring Type	
329071	7-162	Gearset	
329072	7-162	Gearset	

Table 7-6. Transmitter Distributor Unit (LXD)

Part Number	Figure Number(s)	Description	Notes
256M	7-172	Coil, Magnet	
262M	7-172	Coil, Magnet	
1030	7-169	Screw, 6-40 Shoulder	
1293	7-173,-174	Screw, 4-40 x 1/8 Fil	
2191	7-169 thru -174, -176,-180,-182	Lockwasher	
2438	7-172	Washer, Flat	
2669	7-169,-171	Lockwasher	
2836	7-171	Spring	
3595	7-177	Nut, 1/4-28 Hex	
3598	7-169,-170,-171, -266	Nut, 6-40 Hex	
3599	7-170 thru -176, -178,-182	Nut, 4-40 Hex	
3606	7-169,-170	Nut, 6-40 Hex	
3636	7-177	Washer, Flat	
3640	7-169 thru -176, -180	Lockwasher	
3646	7-181	Lockwasher	
3649	7-171	Washer, Flat	
5740	7-178	Screw, 2-56 x 1/4 Fil	
7002	7-169 thru -176, -180,-182	Washer, Flat	
7603	7-169	Spring	
8896	7-180	Shim, 0.004 In. Thk	
31636	7-169	Spring	
41732	7-171,-180,-183	Plate, Clamp	

Table 7-6. Transmitter Distributor Unit (LXD) - Continued

Part Number	Figure Number(s)	Description	Notes
41746	7-180	Bushing, Insulating	
41814	7-183	Bushing, Insulating	
42823	7-177	Washer, Flat	
45024	7-170	Spring	
45815	7-169	Lockwasher	
70388	7-169	Spring	
70878	7-178	Spring	
71073	7-178	Washer, Flat	
74728	7-180	Terminal, Contact	
76275	7-169	Plate, Nut	
76295	7-169	Spring	
76422	7-170	Spring	
76461	7-169	Washer, Flat	
78557	7-180	Spring	
80531	7-169	Washer, Flat	
80945	7-180	Spring	
81778	7-172	Screw, 4-40 x 3/16 Fil	
82547	7-171	Insulator, 0.094 In. Thk	
82548	7-171, -180, -183	Insulator, 0.062 In. Thk	
83497	7-181	Washer, Flat	
85318	7-171	Washer, Leather	
86283	7-169	Spring	
86304	7-173 thru -176	Spring	
86959	7-171	Bushing, Insulating	
87401	7-172	Spring	

Table 7-6. Transmitter Distributor Unit (LXD) - Continued

Part Number	Figure Number(s)	Description	Notes
87402	7-172	Spring	
90573	7-169	Spring	
90790	7-170	Washer, Flat	
90791	7-173 thru -176 -181	Lockwasher	
91120	7-169	Spring	
91904	7-169	Washer, Flat	
93117	7-178	Lockwasher	
93118	7-169	Lockwasher	
93356	7-170	Washer, Felt	
93587	7-169,-171	Washer, Flat	
93984	7-172	Lockwasher	
101386	7-169	Spring	
101714	7-170	Spring	
101998	7-169	Bushing, Shoulder	
102086	7-183	Insulator	
102994	7-169	Washer, Flat	
104751	7-178	Spring	
110434	7-177	Screw, 4-40 x 3/16 Fil	
110743	7-169 thru -183	Lockwasher	
111017	7-182	Screw, 6-40 x 5/16 Fil	
112626	7-169,-171	Nut, 10-32 Hex	
112633	7-169	Spring w/Wick	
115141	7-170	Screw, 6-40 Shoulder	
115221	7-169	Washer, Felt	

Table 7-6. Transmitter Distributor Unit (LXD) - Continued

Part Number	Figure Number(s)	Description	Notes
118177	7-180	Resistor, 22000 Ohm	
119401	7-178	Washer, Flat	
119647	7-170,-178,-180	Ring, Retaining	
119648	7-169,-178	Ring, Retaining	
119649	7-170,-172,-178	Ring, Retaining	
119650	7-170	Ring, Retaining	
119651	7-169,-178	Ring, Retaining	
119652	7-169,-170,-171, -178,-180	Ring, Retaining	
121125	7-172	Washer, Spring	
121242	7-179	Clamp, 1/8 In. ID Cable	
121243	7-179	Clamp, 3/16 In. ID Cable	
121244	7-171,-179	Clamp, 1/4 In. ID Cable	
121245	7-179	Clamp, 5/16 In. ID Cable	
121246	7-179	Clamp, 3/8 In. ID Cable	
121247	7-179	Clamp, 7/16 In. ID Cable	
121248	7-179	Clamp, 1/2 In. ID Cable	
121249	7-179	Clamp, 5/8 In. ID Cable	
121250	7-179	Clamp, 3/4 In. ID Cable	
121251	7-179	Clamp, 1 In. ID Cable	
124177	7-169,-170	Lockwasher	
125011	7-169 thru -174, -178,-180,-181, -183	Washer, Flat	
125015	7-172	Washer, Flat	
125126	7-173 thru -176, -181	Screw, 2-56 x 9/32 Fil	

Table 7-6. Transmitter Distributor Unit (LXD) - Continued

Part Number	Figure Number(s)	Description	Notes
125220	7-181	Nut, 8-32 Hex	
125229	7-169	Nut, 6-32 Hex	
125802	7-171	Washer, Flat	
128357	7-169	Ring, Retaining	
130499	7-177	Bearing, Ball	
130667	7-177	Lockwasher	
130683	7-180	Lockwasher	
138034	7-169	Plate, Clamp	
144216	7-179	Connector, Red Insulated	
144227	7-179	Connector, Black Insulated	
145779	7-170	Post, Spring	
145798	7-170	Pawl	
150013	7-177	Disk, Adjusting	
150026	7-177	Lever, Shoe Release	
150029	7-177	Wick, Felt	
150043	7-177	Shoe, Secondary Clutch	
150044	7-177	Shoe, Primary Clutch	
150241	7-177	Spring	
151073	7-169,-170,-172	Screw, 4-40 x 5/32 Fil	
151103	7-169	Spring	
151152	7-170,-173 thru -178,-180	Screw, 4-40 x 3/16 Hex	
151171	7-173,-174	Toggle, Contact	
151180	7-173,-174	Link, Toggle	
151182	7-173 thru -176, -181	Washer, Insulating	

Table 7-6. Transmitter Distributor Unit (LXD) - Continued

Part Number	Figure Number(s)	Description	Notes
151395	7-171	Spring	
151398	7-180	Spring	
151414	7-179	Switch, Sensitive	
151630	7-169 thru -172	Screw, 6-40 x 1/4 Hex	
151631	7-169,-171	Screw, 6-40 x 5/16 Hex	
151632	7-169,-171,-174	Screw, 6-40 x 3/8 Hex	
151685	7-180	Screw, 4-40 x 5/16 Fil	
151687	7-181	Screw, 4-40 x 7/16 Fil	
151689	7-180	Screw, 4-40 x 3/4 Fil	
151692	7-169,-171	Screw, 6-40 x 3/16 Fil	
151715	7-178	Spring	
151722	7-169 thru -171	Screw, 6-40 x 3/16 Hex	
151728	7-177	Spring	
151730	7-178	Spring	
151732	7-177	Screw, 4-40 x 11/32 Fil	
151733	7-171,-183	Screw, 4-40 x 9/16 Fil	
151737	7-169,-177	Screw, 4-40 x 11/64 Hex	
151820	7-173,-174	Spring, Contact	
151880	7-173 thru -176, -178,-180	Nut, 4-40 Hex	
152458	7-172	Shield, Terminal	
152871	7-169,-172	Spring	
152893	7-169,-170,-171, -178,-180,-183	Screw, 4-40 x 1/4 Hex	
153537	7-169	Screw, 6-40 x 9/32 Hex	
153799	7-180	Screw, 4-40 x 21/64 Hex	
7-202			

Table 7-6. Transmitter Distributor Unit (LXD) - Continued

Part Number	Figure Number(s)	Description	Notes
153817	7-173 thru -176	Screw, 4-40 x 3/8 Hex	
153819	7-169	Lockwasher	
154040	7-169	Lever, Transfer	
154042	7-173,-174	Terminal	
154043	7-173,-174	Terminal	
154045	7-173,-174	Screw, 6-40 Spl	
154095	7-173,-174,-176	Eccentric, Contact Box	
154130	7-173,-176	Contact Box	
154131	7-173,-176	Cover, Contact	
154156	7-179	Grommet, Rubber	
154166	7-173,-176	Suppressor, Arc	
164173	7-179	Plate	
154189	7-173,-176	Insulator	
154194	7-173,-174	Base	
154226	7-173	Box w/Strap	
154335	7-180	Screw, 6-40 x 9/32 Fil	
154349	7-169	Spring	
154694	7-177	Disk, Clutch Cam	
154697	7-179	Grommet, Rubber	
155494	7-169	Spring	
155750	7-169,-179,-180	Sleeve, 3/32 ID x 1/2 In. Lg Insulating	
155751	7-179	Sleeve, 1/8 ID x 1 In. Lg Insulating	
155752	7-179	Sleeve, 5/64 ID x 1/2 In. Lg Insulating	

Table 7-6. Transmitter Distributor Unit (LXD) - Continued

Part Number	Figure Number(s)	Description	Notes
155753	7-179	Sleeve, 1/8 ID x 1/2 In. Lg Insulating	
155754	7-169,-179,-180	Sleeve, 1/16 ID x 1/2 In. Lg Insulating	
155755	7-179	Sleeve, 11/64 ID x 5/8 In. Lg Insulating	
156450	7-169	Screw, 2-56 x 1/2 Fil	
156501	7-169	Screw, 6-40 x 7/32 Fil	
156509	7-169	Washer, Flat	
156510	7-169	Post	
156511	7-169	Bail	
156514	7-169	Plate w/Studs	
156515	7-169	Washer, Felt	
156516	7-169	Latch	
156518	7-169	Post	
156519	7-169	Washer, Felt	
156520	7-169	Arm	
156521	7-169	Screw, 6-40 Eccentric Shldr	
156522	7-169	Pawl	
156523	7-169	Stud, Eccentric	
156524	7-169	Bail	
156531	7-172,-180	Bracket w/Post	
156532	7-172	Core	
156533	7-172	Screw, 4-40 Eccentric	
156534	7-172	Bail	
156537	7-172	Armature	

Table 7-6. Transmitter Distributor Unit (LXD) - Continued

Part Number	Figure Number (s)	Description	Notes
156539	7-172	Washer, Felt	
156549	7-178	Lid, Tape	
156551	7-178	Guide, Right	
156553	7-178	Post, Eccentric	
156554	7-178	Bail	
156555	7-178	Plunger, Tape Lid	
156556	7-178	Bracket	
156557	7-178	Guideplate, Tape	
156558	7-178	Washer, Felt	
156559	7-178	Post	
156560	7-178	Bail	
156561	7-178	Shaft	
156574	7-170	Post, Spring	
156575	7-170	Screw, 6-40 Eccentric Shldr	
156576	7-171	Washer, Felt	
156577	7-170	Roller, Detent Lever	
156578	7-170	Bail w/Stud	
156581	7-171	Stud	
156588	7-171	Ring, Retaining	
156589	7-171	Post, Spring	
156590	7-169	Latch	
156591	7-170,-171	Washer, Felt	
156594	7-171	Lever, Trip	
156595	7-171	Lever, Latch	
156596	7-171	Bail	

Table 7-6. Transmitter Distributor Unit (LXD) - Continued

Part Number	Figure Number(s)	Description	Notes
156597	7-171,-183	Plate, Rear	
156598	7-169,-171	Post	
156599	7-171	Plate	
156602	7-169	Plate	
156618	7-169	Post	
156621	7-169	Guide, Transfer Lever	
156622	7-170	Post	
156623	7-169	Washer, Flat	
156624	7-169	Post	
156625	7-169	Bracket	
156631	7-169	Washer, Felt	
156632	7-172	Screw, 6-40 x 13/32 Hex	
156633	7-171	Washer, Felt	
156636	7-169	Feed Wheel	
156638	7-169,-180	Guide, Transfer Lever	
156639	7-169	Post	
156640	7-169,-180	Post	
156641	7-169	Pin, Sensing	
156643	7-173 thru -176	Bracket	
156644	7-173,-174,-176	Link, Drive	
156647	7-178	Lever, Start-Stop	
156648	7-173	Contact Box Assembly	
156649	7-169	Plate, Front	
156662	7-172	Plate	

Table 7-6. Transmitter Distributor Unit (LXD) - Continued

Part Number	Figure Number(s)	Description	Notes
156663	7-173,-174,-176, -181	Bushing, Insulating	
156668	7-170	Screw, 6-40 Spl	
156673	7-178	Bail w/Stud	
156677	7-172,-180	Plate, Insulator	
156747	7-173,-176	Screw, 6-40 x 19/64 Hex	
156773	7-170	Modification Kit	
156777	7-170	Jumper, 2 In. Black	
156782	7-169,-171	Nut, 6-40 Spl	
156811	7-178	Guide, Left	
156817	7-172	Shaft	
156831	7-169	Clamp	
156832	7-169	Plate	
156833	7-177	Drum Assembly, Clutch	
156836	7-177	Camshaft	
156844	7-177	Gear, 40T	
156880	7-172	Jumper, 2-3/8 In. Black	
156881	7-172	Jumper, 1-1/2 In. Black	
158186	7-178	Screw, 4-40 x 7/32 Fil	
158258	7-179	Connector, 20-Pt Plug	
158625	7-178	Bracket w/Stud	
518626	7-178	Bracket w/Studs	
158757	7-172	Hinge, Mounting	
159291	7-169	Bail	
159292	7-169	Bail	

Table 7-6. Transmitter Distributor Unit (LXD) - Continued

Part Number	Figure Number(s)	Description	Notes
159293	7-169	Arm, Extension	
159295	7-169	Bracket w/Posts	
159297	7-169	Arm, Stop	
159298	7-169	Spring, Torsion	
159312	7-169	Wick, Leather	
159570	7-180	Spring, Contact	
159571	7-180	Stiffener	
160016	7-177	Camshaft	
160087	7-170	Post, Spring	
160088	7-170	Bail w/Stud	
160091	7-171	Reservoir Assembly	
160092	7-171	Stiffener	
160093	7-171	Wick, Leather	
160094	7-180	Contact Assembly, Auxiliary	
160398	7-171	Spring, Contact	
160399	7-171	Spring, Contact	
160593	7-171, -180	Terminal	
160596	7-169	Spring	
160597	7-171	Plate	
160598	7-171	Stiffener	
160599	7-171	Wick, Leather	
160600	7-171	Reservoir, Oil	
160601	7-171	Guard	
160602	7-170	Arm	
160604	7-170	Post	
7-208			

Table 7-6. Transmitter Distributor Unit (LXD) - Continued

Part Number	Figure Number(s)	Description	Notes
160605	7-170	Arm	
160606	7-170	Arm w/Spring-Post	
160607	7-170	Bail	
160608	7-171,-183	Bracket, Contact	
160613	7-170	Arm w/Hub	
160615	7-171	Reservoir Assembly	
160616	7-170	Plate	
160621	7-172	Bracket	
160622	7-172	Guide	
160623	7-172	Shield	
160625	7-169	Clip w/Wick	
160626	7-169	Insulator, 0.031 In. Thk	
160627	7-169	Bushing, Insulating	
160628	7-169	Spring, Contact	
160629	7-169	Bracket, Contact	
160630	7-169	Spring, Contact	
160631	7-169	Spring, Contact	
160632	7-169	Contact Assembly	
160634	7-170	Post	
160635	7-170	Bail	
160638	7-169	Bracket, Spring	
160639	7-171	Contact Assembly	
160640	7-169,-178	Pin, Tape-Out Sensing	
160647	7-178	Lid, Tape	
161100	7-180	Spring, Contact	

Table 7-6. Transmitter Distributor Unit (LXD) - Continued

Part Number	Figure Number(s)	Description	Notes
161102	7-180	Spring, Contact	
161117	7-170	Spring	
161291	7-178	Bushing	
161439	7-171	Wick, Felt	
161440	7-178	Spring	
161591	7-169	Cable Assembly	
161592	7-169	Plate w/Studs	
161594	7-179	Connector, 36-Pt Plug	
162249	7-169	Screw, 6-32 Insulating	
162462	7-169	Modification Kit	
162490	7-180	Modification Kit	
162491	7-180	Cable	
162493	7-180	Bail	
162498	7-180	Screw, 4-40 Eccentric	
162499	7-180	Nut, 4-40 Shoulder	
162500	7-180	Arm, Sensing	
162501	7-180	Post, Spring	
162503	7-180	Shaft, Spring	
162504	7-180	Contact Assembly, Auxiliary	
162505	7-180	Bracket, Contact	
162506	7-180	Bracket w/Bushing	
162891	7-173	Cover, Contact Box	
162997	7-173	Contact Box Assembly	
163445	7-173,-174	Insulator, Strip	
163536	7-173	Spacer, 0.562 In. Thk	
7-210			

Table 7-6. Transmitter Distributor Unit (LXD) - Continued

Part Number	Figure Number (s)	Description	Notes
163665	7-178	Modification Kit	
163666	7-178	Guide, Right	
163991	7-178	Shaft	
163992	7-169	Arm, Extension	
163995	7-178	Plate	
163997	7-178	Bail	
163998	7-170	Bail	
163999	7-178	Guideplate, Tape	
164285	7-177	Camshaft	
164467	7-178	Post, Eccentric	
164468	7-178	Bail	
164469	7-178	Post	
164470	7-178	Bracket w/Stud	
164471	7-178	Bracket w/Studs	
164472	7-178	Modification Kit	
165027	7-172	Network, Spark Suppression	
170277	7-178	Lid, Tape	
170282	7-169	Nut, 6-40 Hex	
171671	7-179	Connector, Blue Insulated	
171672	7-179	Connector, Red Insulator	
171952	7-179	Connector, Green Shielding	
171972	7-179	Connector, Green Insulated	
172764	7-178	Guide, Left	
172881	7-171	Reservoir Assembly, Oil	
172885	7-169	Arm, Cam Follower	

Table 7-6. Transmitter Distributor Unit (LXD) - Continued

Part Number	Figure Number(s)	Description	Notes
172887	7-172	Bail	
172899	7-180	Guidepost	
173171	7-169	Plate w/Stud	
173208	7-171	Wick, Leather	
173349	7-177	Camshaft	
173350	7-178	Guide, Tape	
173424	7-170	Bail, Sensing	
174010	7-169,-180	Plate	
174087	7-170	Modification Kit	
174263	7-169	Pin, Tape Editing	
174265	7-169	Contact Assembly	
174266	7-169	Bracket, Contact	
174272	7-169	Bracket, Contact	
174273	7-169	Arm, Extension	
174284	7-178	Guideplate, Tape	
174286	7-169	Bail w/Spacer	
174287	7-169	Pin, Tape-Out	
174288	7-178	Shaft	
174290	7-178	Guide w/Bail, Tape	
174292	7-178	Guide, Left	
174293	7-178	Bail	
174294	7-178	Spring, Torsion	
174295	7-169	Contact Assembly, Tape-Out	
174303	7-169	Sleeve	
174304	7-169	Spring, Contact	

Table 7-6. Transmitter Distributor Unit (LXD) - Continued

Part Number	Figure Number(s)	Description	Notes
174305	7-169	Spring, Torsion	
174342	7-178	Lid, Tape	
174349	7-178	Plate, L.F.	
174411	7-174	Insulator	
174412	7-174	Spacer, 0.531 In. Thk	
174413	7-174	Terminal	
174414	7-174	Bushing	
174415	7-174	Cover, Contact Box	
174416	7-174	Contact Box	
174420	7-174	Contact Box Assembly	
174421	7-174	Filter, R.F.	
174491	7-173	Modification Kit	
176607	7-178	Plate w/Studs	
176609	7-169	Spring, Contact	
177048	7-180	Latch	
177060	7-169,-178	Pin w/Sleeve, Sensing	
178499	7-169	Contact Assembly	
178535	7-172	Suppressor, Spark	
179189	7-169	Screw, 6-40 Eccentric Shldr	
179262	7-169	Bracket, Spring	
179639	7-175,-176	Contact Assembly	
179643	7-175	Network, Filter	
179748	7-179	Connector, 5-Pt Plug	
179749	7-179	Connector, 5-Pt Receptacle	

Table 7-6. Transmitter Distributor Unit (LXD) - Continued

Part Number	Figure Number(s)	Description	Notes
192013	7-179	Connector, 50-Pt Plug	
192236	7-177	Gear, 60T	
192591	7-169	Plate w/Studs	
192600	7-176	Contact Box Assembly	
193852	7-177	Spring	
194048	7-175,-181	Screw, 4-40 Spl	
194204	7-178	Guide, Tape	
194344	7-180	Contact Assembly	
194354	7-177	Gear, 45T	
194357	7-177	Camshaft	
194502	7-177	Camshaft	
194503	7-170	Plate, Center	
194505	7-170	Follower, Cam	
194506	7-170	Bracket, Cam Follower Guide	
194544	7-180	Bracket, Contact Assembly	
194546	7-180	Insulator	
194578	7-177	Camshaft	
194901	7-175,-181	Screw, 4-40 Spl	
194982	7-179	Clip, Connector	
195186	7-173,-176	Screw, 4-40 x 7/8 Hex	
195187	7-173,-175	Screw, 4-40 x 1-1/2 Hex	
195651	7-175	Contact Box	
195652	7-175	Cover, Contact Box	
195923	7-173	Filter, RF	
197920	7-176	Contact Box Assembly	

Table 7-6. Transmitter Distributor Unit (LXD) - Continued

Part Number	Figure Number(s)	Description	Notes
197966	7-178	Plate w/Stud	
197994	7-178	Modification Kit	
198605	7-179	Connector, 4-Pt Plug	
198607	7-179	Connector, 4-Pt Receptacle	
198610	7-175	Contact Box Assembly	
198672	7-178	Modification Kit	
198673	7-178	Guide, Right	
199110	7-178	Guide, Right	
199111	7-178	Lever, Tight-Tape	
199112	7-178	Bail	
199126	7-169	Lever, Tape Advance	
199129	7-169	Pawl, Feed	
199130	7-169	Plate	
199131	7-169	Plate, Clamp	
199133	7-171	Post, Spring	
199138	7-177	Link, Drive	
199140	7-177	Link, Driven	
199143	7-177	Spacer, 0.316 In. Thk	
199153	7-178	Shaft	
199154	7-178	Plate	
199159	7-177	Camshaft	
199160	7-177	Camshaft	
199163	7-169	Bracket	
199190	7-169	Screw, 4-40 Shoulder	

Table 7-6. Transmitter Distributor Unit (LXD) - Continued

Part Number	Figure Number(s)	Description	Notes
199193	7-175,-176	Bushing, Insulating	
199196	7-175	Link	
199229	7-178	Modification Kit	
199482	7-177	Camshaft	
199505	7-175	Contact Box Assembly	
199507	7-178	Guide, Left	
199728	7-180	Cover	
301685	7-178	Guide, Tape	
301686	7-178	Nut, 2-56 Shoulder	
301693	7-178	Plate	
301702	7-178	Plate w/Studs	
304762	7-169	Latch	
304763	7-169	Plate, Wear	
304764	7-171	Post	
304765	7-169	Post, Eccentric	
304766	7-171	Bail, Operating	
304767	7-169	Bail, Trip	
305008	7-180	Contact Box Assembly	
305087	7-180	Post	
311271	7-169	Stud	
311538	7-177	Camshaft	
315548	7-176	Contact Box	
315760	7-176	Contact Box Assembly	
320043	7-181	Cover, Outer	
320054	7-181,-182	Cable Assembly	
7-216			

Table 7-6. Transmitter Distributor Unit (LXD) - Continued

Part Number	Figure Number(s)	Description	Notes
320410	7-170	Terminal, Spade Type	
320416	7-179	Terminal, Ring Type	
320418	7-179	Terminal, Ring Type	
320424	7-169	Bail	
321143	7-176,-181	Link	
321267	7-181	Box w/Bracket	
321268	7-181	Network, Filter	
321269	7-181	Insulator	
321270	7-181	Box, Inner	
321271	7-181	Post, Nylon	
321273	7-181	Cover, Inner	
321284	7-182	Bracket, Connector Mounting	
323646	7-181	Contact Box Assembly	
323775	7-178	Lid, Tape	
323838	7-181	Eccentric, Contact Box	
324142	7-181	Connector, 3-Pt Receptacle	
324681	7-179	Cable Assembly	
325947	7-181	Contact Assembly	
325949	7-181	Screw, 8-32 x 1 Nylon Fil	
325950	7-181	Screw, 8-32 x 1/2 Nylon	
325951	7-181	Nut, 6-32 Nylon Hex	
325986	7-170	Spring	
326354	7-172	Core	
326358	7-183	Spring, Contact	

Table 7-6. Transmitter Distributor Unit (LXD) - Continued

Part Number	Figure Number(s)	Description	Notes
326360	7-183	Spring, Contact	
326371	7-172	Magnet Assembly	
326748	7-183	Strap, Contact	
326749	7-183	Card, Circuit	
326750	7-183	Board, Filter	
326751	7-183	Resistor, 220 Ohm	
326752	7-183	Capacitor, 0.03 Mfd	
327119	7-174	Screw, 4-40 x 1/2 Hex	
327258	7-179	Sleeve, 5/64 ID x 1/4 In. Lg	
328175	7-169	Nut, 3-48 Hex	
333635	7-183	Contact Assembly	

Table 7-7. Transmitter Distributor Base (LCXB)

Part Number	Figure Number(s)	Description	Notes
2191	7-184 Thru 7-187	Lockwasher	
2539	7-185	Nut, 3/8-32 Hex	
2669	7-184,-185	Lockwasher	
3640	7-184,-185	Lockwasher	
3649	7-185	Washer, Flat	
8330	7-185	Washer, Flat	
41668	7-184,-185,-187	Screw, 3-48 Shoulder	
70073	7-184,-185,-187	Nut, 3-48 Hex	
73175	7-185	Lockwasher	
74807	7-184,-185	Nut, 10-32 Shoulder Hex	
86835	7-184,-185	Spring	
94540	7-184	Setscrew, 10-24	
103305	7-184,-185	Washer, Flat	
105029	7-185	Washer, Flat	
112620	7-184,-185	Screw, 4-40 x 1/2 Hex	
117366	7-184,-185	Jumper, 8-1/2 In. Green	
117535	7-184,-185	Washer, Flat	
119652	7-184,-185	Ring, Retaining	
119655	7-184	Ring, Retaining	
121244	7-184,-185	Clamp, 1/4 In. ID Cable	
121245	7-184,-185	Clamp, 5/16 In. ID Cable	
125015	7-184,-185	Washer, Flat	
125802	7-184,-185	Washer, Flat	
151246	7-185	Washer, Flat	
151442	7-184,-185,-186	Screw, 6-40 x 1/2 Hex	

Table 7-7. Transmitter Distributor Base (LCXB) - Continued

Part Number	Figure Number(s)	Description	Notes
151630	7-184,-185	Screw, 6-40 x 1/4 Hex	
151631	7-184 thru -187	Screw, 6-40 x 5/16 Hex	
151632	7-184 thru -186	Screw, 6-40 x 3/8 Hex	
151657	7-184,-185	Screw, 6-40 x 1/4 Fil	
151658	7-184,-185	Screw, 6-40 x 5/16 Fil	
151723	7-184	Screw, 10-32 x 3/8 Hex	
151880	7-184,-185	Nut, 4-40 Hex	
152462	7-184,-185	Latch, Right	
152463	7-184,-185	Latch, Left	
152464	7-184,-185	Insulator, 0.062 In. Thk	
153442	7-185	Screw, 10-32 x 1/2 Hex	
153819	7-184,-185,-187	Lockwasher	
155750	7-184,-187	Sleeve, 3/32 ID x 1/2 In. lg Insulating	
155752	7-184,-185,-187	Sleeve, 5/64 ID x 1/2 In. lg Insulating	
155996	7-186	Pinion, 13T	
155997	7-186	Gear, 60T	
155998	7-186	Pinion, 12T	
155999	7-186	Gear, 34T	
156226	7-184,-185	Hub	
156467	7-185	Ring, Retaining	
158001	7-186	Gear, 33T	
158002	7-186	Pinion, 11T	
158003	7-186	Pinion, 12T	
158004	7-186	Gear, 47T	
7-220			

Table 7-7. Transmitter Distributor Base (LCXB) - Continued

Part Number	Figure Number(s)	Description	Notes
158005	7-186	Pinion, 9T	
158006	7-186	Gear, 44T	
158012	7-184,-185	Shaft w/Bearings	
158013	7-184,-185	Shaft, Coupling	
158015	7-184,-187	Base	
158017	7-184	Shaft w/Bearing	
158018	7-184,-185	Bracket	
158027	7-186	Gearset, 100 WPM	
158028	7-186	Gearset, 75 WPM	
158029	7-186	Gearset, 60 WPM	
158258	7-184,-185,-187	Connector, 20-Pt Plug	
158259	7-185	Connector, 20-Pt Receptacle	
158271	7-184,-185	Guard, Gear	
158745	7-184,-185	Clamp, Bearing	
159341	7-185	Bearing, Ball	
159882	7-186	Gearset, 65 WPM	
159883	7-186	Gearset, 106 WPM	
161330	7-186	Gear, 49T	
161331	7-186	Pinion, 11T	
161332	7-186	Gear, 42T	
161333	7-186	Pinion, 10T	
161356	7-186	Gearset, 67 WPM	
161357	7-186	Gearset, 71 WPM	
161595	7-184,-185,-187	Connector, 36-Pt Receptacle	

Table 7-7. Transmitter Distributor Base (LCXB) - Continued

Part Number	Figure Number(s)	Description	Notes
161884	7-184,-187	Cable Assembly	
161885	7-184,-185,-187	Bracket, Connector	
162594	7-184	Shaft	
163003	7-184	Gear, 20T	
163452	7-186	Pinion, 20T	
163453	7-186	Gear, 56T	
163454	7-186	Gearset, 107 WPM	
163497	7-186	Pinion, 15T	
163498	7-186	Gear, 63T	
163499	7-186	Gearset, 71 WPM	
163515	7-185	Stud, Shoulder	
163517	7-184,-185	Bushing, Rubber	
164101	7-184	Stud, Shoulder	
170189	7-186	Pinion, 15T	
170190	7-186	Gear, 51T	
170291	7-185	Shaft, Idler	
170293	7-186	Pinion, 11T	
170294	7-185	Shaft w/Bearings	
170295	7-185	Gear, 25T	
170297	7-186	Gear, 33T	
170298	7-185	Gear, 40T	
170300	7-185	Base	
170301	7-185	Gear, 50T	
172985	7-184	Shaft w/Bearing and Gear	
173776	7-186	Gearset, 65 WPM	
7-222			

Table 7-7. Transmitter Distributor Base (LCXB) - Continued

Part Number	Figure Number(s)	Description	Notes
173818	7-186	Pinion, 13T	
173819	7-186	Gear, 60T	
178769	7-186	Gearset, 100 WPM	
178770	7-186	Pinion, 23T	
178771	7-186	Gear, 46T	
178772	7-186	Gearset, 66 WPM	
178773	7-186	Pinion, 20T	
178774	7-186	Gear, 60T	
178775	7-186	Gearset, 61 WPM	
178776	7-186	Pinion, 17T	
178777	7-186	Gear, 56T	
193565	7-184,-185	Coupling, Flexible	
194356	7-184	Pinion, 15T	
195144	7-186	Pinion, 11T	
195145	7-186	Gear, 49T	
195146	7-186	Gearset, 67 WPM	
195732	7-184,-185	Plate, Identification	
198056	7-186	Gearset, 81 WPM	
198057	7-186	Pinion, 19T	
198058	7-186	Gear, 70T	
199090	7-186	Pinion, 20T	
199091	7-186	Gear, 56T	
305569	7-186	Pinion, 22T	
305570	7-186	Gear, 55T	
305571	7-186	Pinion, 14T	

Table 7-7. Transmitter Distributor Base (LCXB) - Continued

Part Number	Figure Number(s)	Description	Notes
305572	7-186	Gear, 52T	
305573	7-186	Pinion, 13T	
305574	7-186	Gear, 53T	
305577	7-186	Gearset, 100 WPM	
305578	7-186	Gearset, 67 WPM	
305579	7-186	Gearset, 60 WPM	
319394	7-184,-185	Setscrew, 10-24	
320418	7-185	Terminal, Ring Type	
320420	7-184,-185	Terminal, Ring Type	

Table 7-8. Motor Unit (LMU)

Part Number	Figure Number(s)	Description	Notes
1030	7-197	Screw, 6-40 Shoulder	
1298	7-192	Screw, 8-32 x 1/4 Fil	
2191	7-190 thru -197	Lockwasher	
2263	7-190	Nut, 8-32 Hex	
3598	7-192	Nut, 6-40 Hex	
3599	7-194,-197	Nut, 4-40 Hex	
3606	7-197	Nut, 6-40 Hex	
3640	7-191,-192,-194, -197	Lockwasher	
3646	7-192	Lockwasher	
6320	7-196,-197	Screw, 6-32 Contact	
6345	7-193,-196,-197	Nut, 6-32 Hex	
7002	7-191,-192,-195, -196,-197	Washer, Flat	
8330	7-197	Washer, Flat	
36273	7-191	Washer, Flat	
42823	7-197	Washer, Flat	
71999	7-190,-193	Spring, Motor Thrust	
76461	7-197	Washer, Flat	
76834	7-194	Screw, 4-40 x 3/8 Flat	
82392	7-197	Shim, 0.004 In. Thk	
86736	7-197	Plate, Clamping	
87334	7-192	Washer, Insulating	
90560	7-197	Washer, Flat	
91228	7-189,-193	Strap Assembly, 2-1/2 In. Braided	

Table 7-8. Motor Unit (LMU) - Continued

Part Number	Figure Number(s)	Description	Notes
91229	7-193	Strap, 2 In. Braided	
91837	7-193	Washer, Insulating	
92260	7-193	Lockwasher	
93118	7-197	Lockwasher	
96264R	7-188	Jumper, 5 In. Red	
98642	7-193	Lockwasher	
98712	7-196	Screw, 4-40 x 1/4 Flat	
98718	7-192	Washer, Flat	
104752	7-191	Washer, Flat	
104807	7-197	Washer, Flat	
110434	7-191	Screw, 4-40 x 3/16 Fil	
110435	7-197	Nut, 4-40 Hex	
110475	7-197	Screw, 2-64 x 5/64 Rd	
110743	7-194,-196,-197	Lockwasher	
111017	7-197	Screw, 6-40 x 5/16 Fil	
111062	7-193	Terminal	
119648	7-197	Ring, Retaining	
119651	7-197	Ring, Retaining	
122200	7-193	Shield Assembly, End	
122201	7-190,-193	Bearing, Ball	
122202	7-193	Stud	
122204	7-193	Cap, Brush	
122205	7-193	Brush w/Spring	
122206	7-193	Holder, Brush	
122207	7-191,-192,-193	Strap Assembly	
7-226			

Table 7-8. Motor Unit (LMU) - Continued

Part Number	Figure Number(s)	Description	Notes
122208	7-193	Washer, Flat	
122210	7-193	Armature, Motor	
122211	7-190,-193	Washer, Pull	
122220	7-190,-193	Oiler, Ball	
122221	7-193	Stator	
122229	7-190	Bolt, 8-32 x 4-11/16 Fil	
122233	7-193	Capacitor Assembly	
122245	7-188,-191	Capacitor, 43 to 48 Mfd	
122249	7-188,-191	Switch, Thermostatic	
122251	7-190	Stator, Motor	
122252	7-190	Shield Assembly, End	
122253	7-193	Shield Assembly, End	
123769	7-190	Fan, Motor	
125011	7-192,-196,-197	Washer, Flat	
125143	7-193	Screw, 6-32 x 3/8 Flat	
125802	7-197	Washer, Flat	
128874	7-190	Rotor, Motor	
139697	7-194	Screw, 4-40 x 9/32 Fil	
150040	7-190	Screw, 6-40 x 5/8 Fil	
150701	7-189,-193	Motor Assembly	
150845	7-196	Governor Assembly	
150846	7-195	Holder Assembly, Left Brush	
150847	7-195	Holder Assembly, Right Brush	
150849	7-196,-197	Washer, Insulating	

Table 7-8. Motor Unit (LMU) - Continued

Part Number	Figure Number (s)	Description	Notes
150850	7-196,-197	Insulator, 0.031 In. Thk	
150856	7-196,-197	Arm, Contact	
150857	7-196,-197	Clamp	
150858	7-196,-197	Bracket, Contact	
150859	7-196,-197	Bracket, Mounting	
150865	7-196	Screw, 4-40 Clamping	
150866	7-196	Clamp	
150868	7-196,-197	Bushing, Insulating	
150869	7-196	Spring	
150872	7-196	Stud	
150873	7-195	Collar	
150877	7-196	Bracket, Guide	
150879	7-196	Cover, Governor	
150880	7-195	Spring, Governor Brush	
150881	7-195	Spring, Governor Brush	
150882	7-195	Brush, Contact	
150884	7-195	Mounting, Brush	
150885	7-195	Plate, Brush	
150886	7-195	Plate, Clamp	
150997	7-196	Fan, Governor	
151152	7-194,-196,-197	Screw, 4-40 x 3/16 Hex	
151346	7-190,-195	Screw, 6-40 x 3/8 Fil	
151453	7-193	Nut, 10-32 Hex	
151455	7-193	Spring, Helical Clip	
151620	7-191,-192,-193	Strap, Motor Mounting	

Table 7-8. Motor Unit (LMU) - Continued

Part Number	Figure Number(s)	Description	Notes
151621	7-191,-192,-193	Screw, 6-32 x 3/4 Rd	
151622	7-191,-192,-193	Nut, 6-32 Sq	
151630	7-191,-193,-194	Screw, 6-40 x 1/4 Hex	
151632	7-192	Screw, 6-40 x 3/8 Hex	
151637	7-192,-196	Screw, 4-40 x 1/4 Fil	
151642	7-190,-195	Screw, 6-40 x 3/4 Fil	
151657	7-192,-195	Screw, 6-40 x 1/4 Fil	
151658	7-195	Screw, 6-40 x 5/16 Fil	
151659	7-196,-197	Screw, 6-40 x 1/2 Fil	
151661	7-195,-196	Screw, 6-40 x 1" Fil	
151686	7-192,-197	Screw, 4-40 x 3/8 Fil	
151687	7-194	Screw, 4-40 x 7/16 Fil	
151692	7-192,-197	Screw, 6-40 x 3/16 Fil	
151693	7-197	Screw, 6-40 x 9/16 Fil	
151795	7-188,-190	Motor Assembly	
151920	7-188,-192	Plate, Mounting	
151922	7-188,-192	Clamp	
151923	7-188,-191	Relay, Motor Starting	
151926	7-191	Nut, 4-40 Spl	
151927	7-188,-191,-192	Cable w/Terminals	
151939	7-192	Grommet, Rubber	
152035	7-194	Plug	
152042	7-194	Cover	
152044	7-194	Cover	
152046	7-189,-194	Bracket w/Cradle, Motor	

Table 7-8. Motor Unit (LMU) - Continued

Part Number	Figure Number(s)	Description	Notes
152059	7-189	Cable w/Terminals	
152067	7-189,-194	Nipple	
152297	7-190	Washer, Bearing	
152495	7-196,-197	Bushing	
153030	7-190,-193	Mount, Vibration	
153031	7-193	Bushing, Lead	
153049	7-190	Washer, Insulating	
153101	7-193	Grommet, Rubber	
153102	7-193	Setscrew, 8-32	
153103	7-193	Screw, 4-40 Self-Tapping	
153114	7-193	Jumper, 8-1/2 In. Black	
153342	7-197	Screw, 6-40 x 15/16 Hex	
153535	7-197	Screw, 6-40 Shoulder	
153536	7-197	Gear Assembly	
153885	7-197	Spring Assembly	
153962	7-197	Disk	
153963	7-197	Disk	
153964	7-197	Counterweight	
153965	7-197	Bracket	
153966	7-197	Gear Assembly	
153967	7-197	Gear, 28T	
153968	7-197	Gear Assembly	
153976	7-197	Gear, 32T	
153977	7-197	Worm	
153979	7-197	Post	

Table 7-8. Motor Unit (LMU) - Continued

Part Number	Figure Number(s)	Description	Notes
154375	7-196,-197	Backstop	
154628	7-197	Governor Assembly	
154674	7-197	Gear, 20T	
154676	7-197	Disk Assembly	
154680	7-197	Bearing, Roller	
154684	7-197	Insulator	
154685	7-197	Fan Assembly	
154693	7-197	Bracket	
155585	7-197	Bearing, Ball	
155593	7-197	Bearing, Ball	
155594	7-197	Screw, 4-40 Shoulder	
155600	7-197	Bracket	
155601	7-197	Plate, Gear Train	
155602	7-197	Gear, 28T	
155603	7-197	Gear, 28T	
155605	7-197	Bearing, Ball	
155611	7-197	Ring, Bearing	
155613	7-197	Gear, 28T	
155762	7-191	Sleeve, 5/64 ID x 1/2 In. Lg Insulating	
156875	7-191	Screw, 6-40 x 5/32 Fil	
157987	7-197	Washer, Insulating	
159739	7-188,-190	Motor Assembly	
160299	7-188,-191	Capacitor, 226 Mfd	
160303	7-188,-191	Relay	

Table 7-8. Motor Unit (LMU) - Continued

Part Number	Figure Number(s)	Description	Notes
160304	7-188,-191	Switch, Thermostatic	
160305	7-190	Rotor, Motor	
160306	7-190	Stator, Motor	
161575	7-193	Armature, Motor	
161576	7-193	Stator, Motor	
161577	7-189,-193	Motor Assembly	
161578	7-189,-194	Suppressor, Noise	
161579	7-189,-194	Capacitor, 0.5 Mfd	
179103	7-189,-194	Resistor, 250 Ohm	
179420	7-189,-194	Container	
179423	7-194	Plate w/Bracket	
179424	7-189,-194	Lid w/Insulator	
198691	7-194	Plate w/Resistor Assembly	
198692	7-194	Container Assembly	
199718	7-188,-190	Motor Assembly	
199719	7-190	Rotor, Motor	
199720	7-190	Stator, Motor	
199721	7-190	Bolt, 8-32 x 5-13/16 Fil	
304537	7-188,-192	Bracket	
304538	7-188,-192	Bracket	
304792	7-188,-192	Relay	
304793	7-188,-192	Capacitor, 161 to 193 Mfd	
305658	7-188,-191	Spring	
305659	7-188,-191	Insulator	
305660	7-188,-191	Plate, Mounting	
7-232			

Table 7-8. Motor Unit (LMU) - Continued

Part Number	Figure Number(s)	Description	Notes
305661	7-188,-191	Bracket w/Cradle, Motor	
307281	7-188,-192	Switch, Thermostatic	
312530	7-194	Washer, Textolite	
312531	7-194	Washer, Fiber	
312573	7-188,-192	Jumper, 6 In. Red	
312574	7-188,-192	Jumper, 6 In. Black	
320410	7-193	Terminal, Spade Type	
320418	7-191,-192	Terminal, Ring Type	
320420	7-189,-193	Terminal, Ring Type	
320422	7-189,-193	Terminal, Ring Type	
324115	7-196	Fan, Governor	
324116	7-196	Governor Assembly	
330579	7-194	Screen w/Brackets	
332865	7-190	Fan	
334877	7-188,-191	Switch	

Table 7-9. Automatic Send-Receive Cabinet (LAAC)

Part Number	Figure Number(s)	Description	Notes
247M	7-203	Coil, Magnet	
1028	7-203,-233,-234	Screw, 4-40 x 1/4 Fil	
1248	7-245	Screw, 6-40 x 1/2 Flat	
1253	7-199,-202,-210, -229,-259	Screw, 8-32 x 3/8 Rd	
1298	7-227	Screw, 8-32 x 1/4 Fil	
2191	7-199 thru -227, -233,-236,-237, -239,-240,-242, -245,-247,-259	Lockwasher	
2449	7-200,-201,-216, -217,-220,-226, -243	Lockwasher	
2669	7-199 thru -201, -210,-225,-237, -259	Lockwasher	
2846	7-201,-216,-217, -237	Washer, Flat	
3292	7-199,-200	Nut, 1/4-20 Hex	
3438	7-203,-216,-219	Washer, Flat	
3595	7-235	Nut, 1/4-32 Hex	
3598	7-199 thru -204, -208 thru -212, -218,-219,-221, -225 thru -227, -230,-245,-258	Nut, 6-40 Hex	
3599	7-200,-233,-234	Nut, 4-40 Hex	
3606	7-220	Nut, 6-40 Hex	
3639	7-199 thru -201, -204,-225,-229, -259	Lockwasher	

Table 7-9. Automatic Send-Receive Cabinet (LAAC) - Continued

Part Number	Figure Number(s)	Description	Notes
3640	7-199,-203,-204, -216,-217,-218, -233,-234	Lockwasher	
3646	7-203,-226,-227, -241	Lockwasher	
3649	7-220,-238	Washer, Flat	
3650	7-233	Washer, Flat	
4326	7-200	Spring, Compression	
4703	7-203	Spring	
5599	7-227	Nut, 8-32 Hex	
5816	7-204	Washer, Insulating	
6344	7-199,-200,-259	Screw, 6-32 x 11/32 Hex	
6345	7-236	Nut, 6-32 Hex	
7001	7-236	Washer, Flat	
7002	7-199 thru 235, -218,-219,-221, -225,-227,-236, -237,-239,-240, -258,-259	Washer, Flat	
8333	7-199,-201,-204, -259	Screw, 10-32 x 3/8 Rd	
25123	7-220	Screw, 1/4-32 x 7/16 Hex	
34432	7-199,-200,-225, -241	Washer, Flat	
43954	7-203	Bell	
44048	7-208,-229,-230, -232	Washer, Flat	
45815	7-199,-201,-216	Lockwasher	
45944	7-241	Screw, 8-32 x 5/8 Rd	
49514	7-222,-223,-241	Nut, 8-32 Hex	

Table 7-9. Automatic Send-Receive Cabinet (LAAC) - Continued

Part Number	Figure Number (s)	Description	Notes
49644	7-200	Screw, 10-32 Shoulder	
55219	7-199,-203,	Screw, 8-32 x 3/8 Fil	
70314	7-218,-245	Washer, Flat	
70720	7-200	Screw, 10-32 Shoulder	
71699	7-199,-200	Screw, 10-32 Shoulder	
71858	7-201,-243	Washer, Flat	
73175	7-231	Lockwasher	
74479	7-204	Bushing	
74594	7-199	Ring, Retaining	
74615	7-204	Resistor, 2000 Ohm	
74807	7-200	Nut, 10-32 Shoulder Hex	
75435	7-204	Resistor, 600 Ohm	
75750	7-204	Washer, Insulating	
76099	7-200	Washer, Flat	
76279	7-201	Screw, 1/4-32 x 5/8 Hex	
77902	7-204	Screw, 6-40 x 2-3/8 Rd	
79890	7-201,-243	Screw, 1/4-32 x 7/8 Hex	
80121	7-235	Shim 0.095 In. Thk	
80709	7-245	Screw, 6-40 x 1/4 Rd	
82020	7-199	Bumper	
82702	7-225	Screw, 6-40 x 9/32 Flat	
82730	7-210,-259	Screw, 10-32 Shoulder	
83497	7-226	Washer, Flat	
84579	7-199,-200,-259	Washer, Flat	
90560	7-218	Washer, Flat	

Table 7-9. Automatic Send-Receive Cabinet (LAAC) - Continued

Part Number	Figure Number(s)	Description	Notes
90599	7-216	Shim, 0.008 In. Thk	
90790	7-204	Washer, Flat	
90814	7-204	Resistor, 1000 Ohm	
91683	7-214,-215,-224, -237	Nut, 5/32-32 Hex	
91684	7-215,-224	Nut, 15/32-32 Ring	
92146	7-200	Nut, 1/4-20 Hex	
92260	7-233	Lockwasher	
92527	7-222	Lockwasher	
93108	7-216	Lockwasher	
94660	7-222,-223	Connector	
96509	7-225	Roller	
98237	7-210,-259	Pin, Long	
98642	7-201,-216	Lockwasher	
99082	7-229,-230,-232	Screw, 8-32 x 11/16 Hex	
99978	7-215	Connector, 4-Pt Plug	
100011	7-200,-204,-213	Nut, 6-40 Hex	
100658	7-214	Connector, 2-Pt Plug	
100832	7-199	Screw, No. 0 x 3/16 Drive	
101633	7-200	Washer, Flat	
102092	7-204	Screw, 6-40 x 1-1/32 Rd	
102180	7-204	Screw, 6-40 x 1-15/16 Fil	
102751	7-200	Nut, 10-32 Shoulder Hex	
103092	7-199	Connector, Cord	
103241	7-237	Block, Terminal	

Table 7-9. Automatic Send-Receive Cabinet (LAAC) - Continued

Part Number	Figure Number (s)	Description	Notes
103387	7-199,-259	Catch	
103782	7-200	Screw, No. 2 x 1/8 Drive	
104124	7-201	Screw, 1/4-32 x 11/32 Hex	
104451	7-235	Lockwasher	
104701	7-224,-242,-247	Screw, 4-40 x 9/32 Fil	
104807	7-199,-218,-233	Washer, Flat	
105029	7-201	Washer, Flat	
107116	7-199,-200,-204 -233,-237,-245	Lockwasher	
108355	7-216,-217	Nut, 1/4-20 Hex	
108809	7-201	Screw, 10-32 x 27/32 Hex	
108953	7-245	Connector, 3-Pt Receptacle	
110126	7-208	Lockwasher	
110434	7-203	Screw, 4-40 x 3/16 Fil	
110435	7-203,-233	Nut, 4-40 Hex	
110743	7-199,-216,-217, -232 thru -236, -238,-248,-258	Lockwasher	
111017	7-199,-202,204, -205,-210,-245, -259	Screw, 6-40 x 5/16 Fil	
111284	7-238	Block, Terminal	
111345	7-200	Bolt	
111346	7-200	Spring, Compression	
111777	7-224	Connector, 4-Pt Receptacle	
112080	7-212	Washer, Flat	

Table 7-9. Automatic Send-Receive Cabinet (LAAC) - Continued

Part Number	Figure Number(s)	Description	Notes
112626	7-199,-200,-201, -216,-225,-259	Nut, 10-32 Hex	
112801	7-237	Stud	
114478	7-214,-224,-237	Nut, 15/32-32 Hex	
114589	7-201	Mount, Vibration	
114764	7-199	Fastener Spring	
114766	7-199	Stud	
115593	7-199,-229,-259	Screw, 10-32 Self-Tapping	
115594	7-199,-202,-208, -210,-226,-241, -259	Nut, Speed	
116783	7-202,-237,-238, -259	Holder Fuse	
117366	7-224	Jumper, 8-1/2 In. Green	
117535	7-199,, -201,-202, -204,-210,-229, -259	Washer, Flat	
118153	7-252	Resistor, 33000 Ohm	
118156	7-251	Resistor, 56000 Ohm	
118166	7-251	Resistor, 56 Megohm	
118169	7-249	Resistor, 1.0 Megohm	
118177	7-251	Resistor, 22000 Ohm	
118180	7-250	Resistor, 10000 Ohm	
118185	7-252	Resistor, 33000 Ohm	
118189	7-252	Resistor, 1.8 Megohm	
118197	7-249	Resistor, 47000 Ohm	
118659	7-224	Switch, Toggle	
118725	7-258	Resistor, 270 Ohm	

Table 7-9. Automatic Send-Receive Cabinet (LAAC) - Continued

Part Number	Figure Number(s)	Description	Notes
118727	7-258	Resistor, 47 Ohm	
119367	7-199	Setscrew, 8-32	
119639	7-199	Button, Plug	
119641	7-199	Button, Plug	
119743	7-235	Grommet, Rubber	
119979	7-199	Strike, Fastener	
120120	7-252	Resistor, 20 Megohm	
120139	7-238	Fuse, 1 Amp	
120175	7-214,-215,-237	Plate, On-Off	
120424	7-250	Resistor, 4300 Ohm	
120557	7-199,-259	Washer, Flat	
121005	7-199,-225,-259	Screw, No. 6 x 3/8 Self-Tapping	
121242	7-224	Clamp, 1/8 In. ID Cable	
121243	7-199,-202,-204,-224,-258,-259	Clamp, 3/16 In. ID Cable	
121244	7-224	Clamp, 1/4 In. ID Cable	
121245	7-221,-224	Clamp, 5/16 In. ID Cable	
121246	7-199,-224,-232,-235	Clamp, 3/8 In. ID Cable	
121247	7-209,-224	Clamp, 7/16 In. ID Cable	
121248	7-204,-224	Clamp, 1/2 In. ID Cable	
121249	7-224	Clamp, 5/8 In. ID Cable	
121250	7-224	Clamp, 3/4 In. ID Cable	
121251	7-224	Clamp, 1 In. ID Cable	
121416	7-212	Roller	

Table 7-9. Automatic Send-Receive Cabinet (LAAC) - Continued

Part Number	Figure Number(s)	Description	Notes
121418	7-217	Screw, 6-40 Shoulder	
122476	7-199,-224	Screw, No. 6 Self-Tapping	
123969	7-199,-259	Holder, Cable	
124177	7-238	Lockwasher	
124220	7-224	Pin, Drive	
124612	7-208,-226	Screw, 8-32 x 1/2 Hex	
125011	7-234,-236,-238, -248,-258	Washer, Flat	
125014	7-199,-259	Washer, Flat	
125015	7-199,-203,-211, -220	Washer, Flat	
125098	7-235	Nut, Lock	
125130	7-242,-247	Screw, 6-32 x 1/2 Fil	
125137	7-201	Screw, 10-32 x 1/2 Rd	
125139	7-224,-232,-247	Screw, 4-40 x 1/8 Fil	
125170	7-222,-223	Screw, 8-32 x 5/16 Fil	
125218	7-201,-226,-243	Nut, 1/4-32 Hex	
125231	7-200,-201,-229	Nut, 10-32 Hex	
126986	7-226	Screw, 1/4-32 x 19/32 Hex	
128357	7-199,-230	Ring, Retaining	
129098	7-245	Screw, 6-40 x 11/32 Flat	
129856	7-252	Resistor, 150 Ohm	
129919	7-202	Fuse, SL-BL 4 Amp	
135563	7-242,-247	Jumper, 2-3/4 In. Green	
137438	7-251,-252,-258	Resistor, 100 Ohm	
137441	7-251,-252,-258	Resistor, 1200 Ohm	

Table 7-9. Automatic Send-Receive Cabinet (LAAC) - Continued

Part Number	Figure Number(s)	Description	Notes
137601	7-258	Resistor, 68 Ohm	
137602	7-249	Resistor, 470 Ohm	
139158	7-202,-259	Connector, Duplex Receptacle	
139175	7-199	Clamp, Window	
139971	7-199	Screw, 2-56 Self-Tapping	
144495	7-251,-252,-256	Pad, Transistor Mounting	
145032	7-252	Resistor, 3.9 Megohm	
145190	7-221	Connector, 2-Pt Plug	
145276	7-221	Cable Assembly	
145319	7-221	Connector, 4-Pt Plug	
145320	7-215	Connector, 4-Pt Plug	
145913	7-233	Connector, 25-Pt Receptacle	
145914	7-234	Connector, 25-Pt Plug	
145915	7-234	Clamp, Cable	
146136	7-221	Cable Assembly	
146140	7-221	Modification Kit	
146542	7-233	Post, Assembly	
146814	7-199	Clamp, Window	
147008	7-224	Connector, 2-Pt Receptacle	
148440	7-233	Connector, 36-Pt Circuit Card	
148473	7-233	Guide, Circuit Card	
150040	7-200,-236	Screw, 6-40 x 5/8 Fil	
150089	7-238	Screw, 4-40 x 1/2 Fil	

7-242

Table 7-9. Automatic Send-Receive Cabinet (LAAC) - Continued

Part Number	Figure Number(s)	Description	Notes
151152	7-199,-218	Screw, 4-40 x 3/16 Hex	
151229	7-225	Washer, Flat	
151335	7-205,-206,-207	Stud	
151346	7-203,-208,-209	Screw, 6-40 x 3/8 Fil	
151442	7-204,-221	Screw, 6-40 x 1/2 Hex	
151512	7-199	Seal, Noise	
151526	7-199	Thumbscrew, 10-32	
151532	7-199	Cover, Form Slot	
151534	7-200	Screw, 10-32 Shoulder	
151540	7-200,-204,-221, -224	Lampholder	
151545	7-200	Guide, Paper	
151549	7-201	Post	
151555	7-199	Foot, Mounting	
151558	7-200,-204	Nut, Speed	
151560	7-203	Bell Assembly, Remote	
151562	7-200	Lamp, 115V Incandescent	
151564	7-203	Bracket	
151565	7-203	Bushing, Shoulder	
151567	7-203	Armature w/Clapper	
151569	7-201	Strap	
151571	7-199	Cable, w/Terminals	
151572	7-259	Lockwasher	
151574	7-203	Grommet, Rubber	
151576	7-200	Arm, Stop	

Table 7-9. Automatic Send-Receive Cabinet (LAAC) - Continued

Part Number	Figure Number(s)	Description	Notes
15 1577	7-203	Screw, 6-40 Shoulder	
15 1579	7-203	Plate, Retaining	
15 1616	7-199	Screw, No. 2 Self-Tapping	
15 1618	7-199,-236,-238, -258	Screw, 6-40 x 7/16 Fil	
15 1629	7-236	Nut, 6-40 Lug	
15 1630	7-199,-204,-208, -209,-220,-221, -225,-227,-239, -240	Screw, 6-40 x 1/4 Hex	
15 1631	7-199,-200,-204, -209,-210,-211, -217,-219,-221, -259	Screw, 6-40 x 5/16 Hex	
15 1632	7-218,-225,-227	Screw, 6-40 x 3/8 Hex	
15 1637	7-204,-216,-217, -248	Screw, 4-40 x 1/4 Fil	
15 1657	7-199 thru -202, -205,-206,-207, -212,-217,-259	Screw, 6-40 x 1/4 Fil	
15 1658	7-204	Screw, 6-40 x 5/16 Fil	
15 1659	7-204,-209,-212, -236	Screw, 6-40 x 1/2 Fil	
15 1685	7-199,-204,-216, -217	Screw, 4-40 x 5/16 Fil	
15 1687	7-233	Screw, 4-40 x 7/16 Fil	
15 1689	7-233	Screw, 4-40 x 3/4 Fil	
15 1692	7-200	Screw, 6-40 x 3/16 Fil	
15 1693	7-210,-211,-259	Screw, 6-40 x 9/16 Fil	
15 1722	7-200,-204,-237	Screw, 6-40 x 3/16 Hex	

Table 7-9. Automatic Send-Receive Cabinet (LAAC) - Continued

Part Number	Figure Number(s)	Description	Notes
151723	7-199,-201,-210,-225	Screw, 10-32 x 3/8 Hex	
151733	7-258	Screw, 4-40 x 9/16 Fil	
151735	7-236,-238	Screw, 4-40 x 5/16 Hex	
151801	7-199	Bushing, Clamp	
151818	7-224	Jumper, 4-1/4 In. Black	
151819	7-205,-224	Jumper, 3 In. Black	
151827	7-205,-208,-259	Strap, Terminal	
151880	7-242	Nut, 4-40 Hex	
151926	7-234	Nut, 4-40 Spl	
151982	7-221	Lamp, 6V Incandescent	
151983	7-221	Shield, Light	
151988	7-223	Modification Kit	
151989	7-223	Suppressor, Electrical Noise	
152466	7-224,-242,-247	Connector, 20-Pt Receptacle	
152755	7-205,-208,-238	Strap, Terminal	
152797	7-199	Plate, Retaining	
152848	7-216,-217	Screw, 1/4-20 x 3/4 Rd	
152893	7-234,-235	Screw, 4-40 x 1/4 Hex	
153017	7-226	Nut, Speed	
153020	7-204	Guide, Line	
153021	7-204,-216,-217	Spring, Torsion	
153022	7-204,-216,-217	Bushing	
153023	7-199,-204,-216,-217	Handle	

Table 7-9. Automatic Send-Receive Cabinet (LAAC) - Continued

Part Number	Figure Number(s)	Description	Notes
153027	7-204	Post	
153037	7-199	Spring	
153048	7-199	Stud, Wing-Head	
153099	7-216,-217	Arm, Pivot	
153104	7-216	Bracket	
153106	7-216	Plate, Bearing	
153107	7-216,-217	Arm	
153113	7-216,-217	Guide, Line	
153126	7-216,-217	Plate, Nut	
153130	7-216	Copyholder	
153400	7-204,-221	Lamp, 60V Incandescent	
153455	7-204	Resistor, 600 Ohm	
153459	7-205 thru -209	Block, Terminal	
153466	7-205	Cover	
153484	7-205 thru -209	Screw, 6-32 Spl	
153487	7-204	Cable Assembly	
153492	7-245	Connector, 3-Pt Plug	
153537	7-216	Screw, 6-40 x 9/32 Hex	
153539	7-241	Screw, 6-40 x 11/16 Hex	
153799	7-199	Screw, 4-40 x 21/64 Hex	
153839	7-199	Screw, 6-40 x 5/8 Hex	
154248	7-199,-200	Nut, Speed	
154249	7-199,-200	Screw, No. 88 Self-Tapping	
154336	7-199	Rivet, Drive	
154348	7-199	Plate, On-Off Instruction	
7-246			

Table 7-9. Automatic Send-Receive Cabinet (LAAC) - Continued

Part Number	Figure Number(s)	Description	Notes
154401	7-200	Stud	
154402	7-200	Spring, Torsion	
154404	7-204	Tray, Copyholder	
154406	7-205,-206	Block, Terminal	
154407	7-200	Latch	
154408	7-204	Bracket	
154409	7-199	Plate	
154410	7-200	Dome	
154411	7-213	Panel, Control	
154412	7-205	Stud	
154415	7-200	Spring, Torsion	
154416	7-210	Plate, Adjusting	
154418	7-201	Spring, Flat	
154419	7-200	Window, Plastic	
154421	7-200	Door, Left Front	
154423	7-200	Window, Glass	
154424	7-200	Gasket	
154426	7-200	Door	
154427	7-200	Clamp	
154431	7-200	Door, Right Front	
154433	7-200	Clamp	
154436	7-200	Door, Right Top	
154437	7-205	Insulator, Terminal Block	
154438	7-205	Insulator, Terminal Block	
154439	7-205	Insulator, Terminal Block	

Table 7-9. Automatic Send-Receive Cabinet (LAAC) - Continued

Part Number	Figure Number(s)	Description	Notes
154442	7-199	Shaft	
154443	7-199	Shaft	
154444	7-199	Fork	
154445	7-199	Knob	
154446	7-205,-206,-207	Cover	
154449	7-199	Shaft	
154451	7-200	Bracket, Latch	
154452	7-205,-206	Cover	
154456	7-199	Coverplate	
154457	7-259	Guide, Tape	
154459	7-199	Fork	
154462	7-199	Bracket	
154463	7-201	Mount, Vibration	
154479	7-205	Cover	
154481	7-200	Bar, Left Torsion	
154482	7-200	Bar, Right Torsion	
154483	7-199	Eyebolt, 1/4-20	
154484	7-199	Nut, 1/4-20 Shoulder	
154485	7-210,-259	Housing	
154486	7-210,-259	Spring, Detent	
154487	7-210,-211,-259	Plate	
154490	7-210,-211,-259	Crossbar, Left Side	
154492	7-210,-211,-259	Plate, Nut	
154496	7-199	Panel, Front	
154497	7-199	Window, Plastic	
7-248			

Table 7-9. Automatic Send-Receive Cabinet (LAAC) - Continued

Part Number	Figure Number(s)	Description	Notes
154498	7-210	Plate	
154651	7-222	Modification Kit	
154655	7-222	Suppressor, Electrical Noise	
154869	7-216	Bracket	
155023	7-214,-215,-224,-237	Switch, DP-DT Toggle	
155045	7-224	Switch, SP-DT Toggle	
155060	7-242	Slide, Stripper	
155083	7-200,-204	Lens, Red Indicator Light	
155085	7-216	Bracket	
155086	7-216	Pad, Rubber	
155087	7-216	Screw, 1/4-20 x 7/16 Rd	
155597	7-200	Lens, Yellow Indicator Light	
155614	7-224,-242,-247	Cover	
155723	7-224	Screw, 4-48 x 1/2 Fil	
155750	7-204,-215,-224,-243	Sleeve, 3/32 ID x 1/2 In. Lg Insulating	
155751	7-224,-242,-247	Sleeve, 1/3 ID x 1 In. Lg Insulating	
155752	7-224	Sleeve, 5/64 ID x 1/2 In. Lg Insulating	
155753	7-199,-215,-221,-224	Sleeve, 1/3 ID x 1/2 In. Lg Insulating	
155754	7-224	Sleeve, 1/16 ID x 1/2 In. Lg Insulating	
155755	7-204,-224,-241,-245,-247	Sleeve, 11/64 ID x 5/8 In. Lg Insulating	

Table 7-9. Automatic Send-Receive Cabinet (LAAC) - Continued

Part Number	Figure Number(s)	Description	Notes
155859	7-224,-242,-247, -248	Screw, 4-40 Spl	
155860	7-224,-242,-247, -248	Screw, 4-40 x 3/8 Rd	
155861	7-224,-242,-247, -248	Lockwasher	
156501	7-233	Screw, 6-40 x 7/32 Fil	
156536	7-236	Screw, 4-40 x 1/8 Fil	
156740	7-233	Screw, 6-40 x 7/32 Hex	
156777	7-238	Jumper, 2 In. Black	
156993	7-199	Nut, Speed	
157152	7-209	Modification Kit	
157154	7-209	Insulator, Terminal Block	
157155	7-208,-209	Cover	
157157	7-204	Modification Kit	
157158	7-203,-204	Cable Assembly	
157159	7-204	Plate	
157215	7-199,-259	Mount, Vibration	
157230	7-224	Jumper, 6 In. Black	
157231	7-224	Jumper, 8 In. Black	
157232	7-224	Jumper, 9-1/4 In. Black	
157393	7-224,-242,-247	Grommet, Rubber	
157399	7-224,-242,-247	Connector, 35-Pt Receptacle	
157992	7-224,-242,-247	Bracket	
157993	7-224,-242,-247	Bracket	
157998	7-242	Jumper, 12 In. Black	

Table 7-9. Automatic Send-Receive Cabinet (LAAC) - Continued

Part Number	Figure Number(s)	Description	Notes
158195	7-201	Rail, Left Base	
158196	7-201	Rail, Right Base	
158197	7-201	Angle, Left Base	
158198	7-201	Angle, Right Base	
158200	7-201	Stud	
158201	7-201,-243	Stud	
158215	7-218	Plate, Nut	
158259	7-224,-242,-248	Connector, 20-Pt Receptacle	
158260	7-201	Eccentric	
158283	7-224	Connector, 32-Pt Receptacle	
158286	7-204	Transformer	
158287	7-204	Transformer Assembly	
158645	7-210,-259	Crossbar	
158646	7-210,-259	Bracket, Mounting	
158647	7-199	Chute, Tape	
158648	7-199,-259	Chute, Tape	
158649	7-200	Thumbscrew, 4-40	
158651	7-200	Door	
158652	7-199,-259	Nut, Speed	
158653	7-212	Spacer	
158656	7-200	Window, Glass	
158657	7-200	Clamp	
158658	7-200	Gasket	
158659	7-200	Plate	

Table 7-9. Automatic Send-Receive Cabinet (LAAC) - Continued

Part Number	Figure Number(s)	Description	Notes
158660	7-199,-259	Door Assembly, Tape Winder	
158661	7-199	Door, Tape Winder	
158662	7-199	Window, Glass	
158663	7-199,-259	Stud	
158664	7-199,-259	Bracket	
158665	7-199,-259	Partition	
158666	7-202,-259	Box, Outlet	
158667	7-199,-259	Tray, Tape Winder	
158669	7-199,-259	Stud	
158670	7-199	Panel, Right Lower	
158671	7-202,-259	Connector, 3-Pt Receptacle	
158672	7-199	Shaft	
158673	7-201	Bracket, Locating	
158676	7-209	Insulator, Terminal Block	
158677	7-206	Insulator, Terminal Block	
158678	7-201,-220	Rail, Rear Base	
158679	7-201,-243	Rail, Front Base	
158680	7-199	Modification Kit	
158682	7-199	Plate, Ground	
158683	7-210,-259	Bracket, Housing	
158684	7-210,-259	Cover	
158685	7-210,-259	Housing	
158686	7-201,-210,-259	Plate	
158687	7-201	Arm, Tape	

Table 7-9. Automatic Send-Receive Cabinet (LAAC) - Continued

Part Number	Figure Number (s)	Description	Notes
158688	7-200	Guide, Stop	
158689	7-200	Guide	
158691	7-200	Stud	
158692	7-200	Spring, Torsion	
158693	7-210,-259	Crossbar	
158694	7-199	Plate, Designation	
158695	7-199	Plate, Designation	
158696	7-199	Knob	
158697	7-199,-259	Plate, Designation	
158989	7-241	Capacitor, 20 Mfd	
158990	7-241	Bracket, Mounting	
158991	7-241	Capacitor, 15 Mfd	
158992	7-241	Bracket, Mounting	
159238	7-214	Connector, 2-Pt Receptacle	
159329	7-202,-259	Cable	
159384	7-207	Modification Kit	
159393	7-208	Modification Kit	
159394	7-209,-259	Modification Kit	
159396	7-206	Modification Kit	
159541	7-224,-242	Connector, 16-Pt Plug	
159734	7-200	Button	
159735	7-199	Panel	
159736	7-226	Bracket w/Tie Bar	
159743	7-200	Bar, Left Torsion	

Table 7-9. Automatic Send-Receive Cabinet (LAAC) - Continued

Part Number	Figure Number(s)	Description	Notes
159744	7-200	Bar, Right Torsion	
159819	7-224	Connector, 32-Pt Plug	
160286	7-210,-259	Crossbar	
160290	7-210,-259	Plate	
160291	7-210,-211,-259	Plate	
160293	7-210,-259	Cover	
160297	7-205,-207	Insulator, Terminal Block	
160332	7-204	Flasher, Thermal	
160335	7-200	Modification Kit	
160339	7-200	Window, Glass	
160341	7-200	Hinge, Left	
160343	7-204	Shaft	
160344	7-200	Clamp, Left	
160345	7-212	Plate	
160346	7-212	Bracket	
160347	7-199	Stud	
160349	7-200	Hinge, Right	
160362	7-204	Plug, Banana	
160369	7-215,-224	Switch, NO Pushbutton	
160372	7-259	Cable Assembly	
160381	7-213	Panel, Control	
160386	7-204	Resistor, 1000 Ohm	
160387	7-226	Modification Kit	
160388	7-226	Modification Kit	
160432	7-224	Jumper, 16 In. Black	
7-254			

Table 7-9. Automatic Send-Receive Cabinet (LAAC) - Continued

Part Number	Figure Number(s)	Description	Notes
160433	7-224	Jumper, 14 In. Black	
160461	7-208	Bracket	
160462	7-208	Insulator, Terminal Block	
160463	7-199	Basket, Tape	
160467	7-200	Window, Plastic	
160469	7-199	Stop	
160663	7-199	Bracket	
160664	7-200	Pin, Roll	
160665	7-200	Door ASsembly, Left Top	
160667	7-200	Bumper, Rubber	
160678	7-224	Jumper, 24 In. Black	
160887	7-259	Modification Kit	
160888	7-259	Modification Kit	
160889	7-259	Modification Kit	
160890	7-259	Modification Kit	
160971	7-226	Bracket, Mounting	
160972	7-226	Bracket w/Pads	
160973	7-226	Bracket w/Pads	
160974	7-200	Arm, Stop	
160976	7-210,-259	Spring, Detent	
160985	7-198	Pad, Left Side	
160986	7-198	Pad, Right Side	
160988	7-199	Pad, Base	
160989	7-200	Pad, Left Side Dome	
160990	7-200	Pad, Right Side Dome	

Table 7-9. Automatic Send-Receive Cabinet (LAAC) - Continued

Part Number	Figure Number(s)	Description	Notes
160991	7-200	Pad, Right Top Door	
160993	7-198	Pad, Left Rear Back	
160994	7-200	Pad, Top Middle Door	
160995	7-200	Pad, Top Left	
161087	7-237,-238	Insulator, Terminal Block	
161136	7-224	Fuse, SL-BL 6-1/4 Amp	
161239	7-224	Connector, 36-Pt Plug	
161307	7-204	Modification Kit	
161592	7-228	Plate w/Studs	
161595	7-248	Connector, 36-Pt Receptacle	
161750	7-209	Bracket	
161755	7-200	Pad, Right Front	
161756	7-210	Pad, Left Crossbar	
161764	7-210	Pad, Felt	
161765	7-210	Pad, Felt	
161777	7-220	Stud, Mounting	
161778	7-220	Stud, Mounting	
161814	7-220	Modification Kit	
161818	7-224	Connector, 2-Pt Receptacle	
161825	7-213	Panel, Control	
162016	7-210	Pad, Left Crossbar	
162017	7-210	Pad, Felt	
162018	7-210	Pad, Felt	
162019	7-210	Pad, Felt	
7-256			

Table 7-9. Automatic Send-Receive Cabinet (LAAC) - Continued

Part Number	Figure Number(s)	Description	Notes
162020	7-210	Pad, Felt	
162021	7-210	Pad, Felt	
162234	7-259	Modification Kit	
162235	7-259	Modification Kit	
162236	7-210,-259	Cover w/Studs	
162237	7-210,-259	Chute, Tape	
162244	7-259	Modification Kit	
162360	7-237	Fuse, SL-BL 0.8 Amp	
162591	7-204	Shaft	
162629	7-199	Modification Kit	
162898	7-213	Panel, Control	
163169	7-199	Shaft, Control	
163170	7-199	Shaft, Control	
163172	7-199	Bracket, Arm	
163173	7-199	Bracket, Arm	
164024	7-216	Modification Kit	
164025	7-216	Bracket	
164028	7-216	Copyholder	
164121	7-200	Cable Assembly	
164122	7-200	Lens, Green	
164272	7-218	Modification Kit	
164273	7-218	Chute, Chad	
164275	7-218	Chute, Chad	
164276	7-219	Container, Chad	
164277	7-219	Plate, Right Side	

Table 7-9. Automatic Send-Receive Cabinet (LAAC) - Continued

Part Number	Figure Number(s)	Description	Notes
164278	7-218	Chute, Chad	
164279	7-218	Chute, Chad	
164287	7-224	Plate, Switch Mounting	
164405	7-219	Modification Kit	
164593	7-219	Plate, Left Side	
164857	7-212	Dome	
164858	7-212	Door Assembly, Left Front	
164936	7-220	Guide, Tape	
164938	7-220	Washer, Spring	
164939	7-220	Guide w/Bushing	
164941	7-220	Guide, Tape	
164942	7-220	Bracket	
164943	7-220	Plate w/Studs	
164944	7-220	Guide, Tape	
165072	7-251	Resistor, 9100 Ohm	
165268	7-225	Screw, 10-32 Self-Tapping	
170272	7-211	Modification Kit	
170302	7-211	Housing, Dual	
170303	7-211	Clip, Right	
170304	7-211	Clip, Left	
170305	7-211	Plate	
170306	7-218	Modification Kit	
170307	7-199	Plate, Trim	
170308	7-199	Filler, Window	

Table 7-9. Automatic Send-Receive Cabinet (LAAC) - Continued

Part Number	Figure Number(s)	Description	Notes
171952	7-224	Connector, Green Shielding	
171953	7-224	Connector, Orange Shielding	
171955	7-224	Connector, Red Shielding	
171972	7-224	Connector, Green Insulated	
171973	7-224	Connector, Black Insulated	
172277	7-224	Connector, Green Insulated	
172843	7-204	Post	
173138	7-199	Plate, Designation	
173238	7-204	Modification Kit	
173256	7-204	Cable Assembly	
173400	7-216	Modification Kit	
173706	7-241	Modification Kit	
173707	7-241	Modification Kit	
173708	7-241	Cable, w/Terminals	
173709	7-241	Cable, w/Terminals	
173786	7-241	Plate, Mounting	
173787	7-241	Plate, Mounting	
173920	7-200	Arm, Stop	
173974	7-199,-237	Screw, 10-32 x 5/16 Hex	
176161	7-224	Jumper, 25 In. Black	
176162	7-224	Jumper, 21 In. Black	
176163	7-224	Jumper, 18 In. Black	
176167	7-224	Holder, Lamp	

Table 7-9. Automatic Send-Receive Cabinet (LAAC) - Continued

Part Number	Figure Number(s)	Description	Notes
176300	7-214	Modification Kit	
176301	7-214	Panel, Control	
176302	7-214	Cable Assembly	
176303	7-214	Cable Assembly	
176422	7-220	Bracket, Mounting	
177113	7-258	Insulator	
178733	7-199	Tray	
178775	7-199	Partition	
178837	7-215	Plate, Control	
178838	7-215	Modification Kit	
178861	7-258	Resistor, 27 Ohm	
178863	7-250	Resistor, 3300 Ohm	
178892	7-217	Copyholder	
178893	7-217	Plate	
178894	7-217	Bracket	
178895	7-217	Shaft	
178897	7-217	Modification Kit	
178914	7-217	Plate, Bearing	
179197	7-199	Panel	
179256	7-218	Chute, Chad	
179417	7-259	Modification Kit	
179449	7-208	Bracket	
179469	7-209	Modification Kit	
179470	7-208	Block Assembly, Terminal	
179476	7-201	Rail, Left	
7-260			

Table 7-9. Automatic Send-Receive Cabinet (LAAC) - Continued

Part Number	Figure Number(s)	Description	Notes
179477	7-201	Rail, Right	
179493	7-210,-259	Guide, Tape	
179748	7-224	Connector, 5-Pt Plug	
179749	7-224	Connector, 5-Pt Receptacle	
179993	7-200	Screw, 10-32 Shoulder	
181392	7-199,-224	Terminal, Tab Type	
181618	7-252	Capacitor, 0.01 Mfd	
181653	7-249,-257	Diode, 1N645	
181661	7-199	Buzzer, 115V AC	
181709	7-238	Holder, Fuse	
182180	7-258	Resistor, 200 Ohm	
182523	7-236	Clamp, 1-3/8 In. ID Mtg	
182531	7-245	Clip, Speed	
182628	7-258	Capacitor, 10 Mfd	
183220	7-236	Bumper	
192980	7-258	Lug, Terminal	
193229	7-250	Resistor, 300 Ohm	
193942	7-245	Fan, Assembly	
194690	7-258	Capacitor, 2 Mfd	
194864	7-199	Clamp	
194865	7-199	Bracket, Clamp	
194866	7-199	Clamp Assembly, Cable	
195659	7-232	Jumper, 3 In. Black	
195841	7-199	Coverplate	

Table 7-9. Automatic Send-Receive Cabinet (LAAC) - Continued

Part Number	Figure Number(s)	Description	Notes
195848	7-200	Bracket, Nylon	
196930	7-225,-245	Grille	
196931	7-225,-245	Clip	
197464	7-251,-252,-256, -257	Diode, 1N914	
198085	7-199	Holder, Card	
198092	7-225,-245	Fan	
198366	7-204	Modification Kit	
198367	7-204	Cable w/Terminals	
198587	7-200	Plate, Instruction	
198598	7-200	Guide, Tape	
198599	7-225	Bracket, Mounting	
198604	7-225	Guide, Tape	
198619	7-225	Post	
198622	7-225	Hub	
198623	7-225	Container, Tape	
198624	7-225	Bracket, Mounting	
198629	7-200	Dome	
198650	7-236	Key, Polarizing	
198670	7-229 thru -232, -234 thru -237, -248	Screw w/Lockwasher 6-40 x 5/16 Hex	
198671	7-199	Holder, Card	
199063	7-225	Plate, Nut	
199064	7-199	Panel, Lower Right	
199069	7-225	Bar, Spacing	

Table 7-9. Automatic Send-Receive Cabinet (LAAC) - Continued

Part Number	Figure Number (s)	Description	Notes
199095	7-224	Bracket, Connector	
199125	7-225	Plate	
199136	7-225	Plate, Wear	
199137	7-225	Container, Tape	
199188	7-225	Plug Assembly, Blinding	
199879	7-225	Bracket	
300024	7-258	Resistor, 100 Ohm	
300370	7-256,-257	Capacitor, 0.01 Mfd	
302724	7-236	Clamp, Capacitor	
302865	7-250	Transistor	
303160	7-228,-250	Circuit Card Assembly	
303164	7-228,-251	Circuit Card Assembly	
303811	7-228,-236,-253	Circuit Card Assembly	
304777	7-227	Bracket	
304918	7-215	Plate, Instruction	
305056	7-210	Plate, Identification	
305150	7-236	Block, Terminal	
305713	7-200	Strip, 50-Ft Roll Foam	
305759	7-204	Bracket	
306731	7-200	Gasket	
307276	7-199	Plate, Nut	
309895	7-204	Cable Assembly	
310153	7-199	Jumper, 15 In. Lg	
310293	7-204	Modification Kit	
310312	7-199	Bracket	

Table 7-9. Automatic Send-Receive Cabinet (LAAC) - Continued

Part Number	Figure Number(s)	Description	Notes
310314	7-199	Buzzer Assembly	
310729	7-245	Filter, Air	
310730	7-245	Support, Filter	
310926	7-251,-256	Capacitor, 0.15 Mfd	
311056	7-247	Grommet, Rubber	
311527	7-224,-242,-247	Clamp, Cable	
312385	7-232,-251 thru -258	Capacitor, 0.01 Mfd	
312475	7-215	Cable Assembly	
312476	7-215	Cable Assembly	
312922	7-232,-258	Diode, 1N4733A	
315894	7-258	Diode, 1N4370A	
315930	7-250,-252,-253, -256	Transistor, 2N3568	
315939	7-254	Capacitor, 0.002 Mfd	
315947	7-256	Resistor, 51 Ohm	
315948	7-253	Resistor, 100 Ohm	
315955	7-250,-253,-255	Resistor, 2200 Ohm	
315956	7-256	Resistor, 2700 Ohm	
315957	7-250	Resistor, 3300 Ohm	
315959	7-255,-256	Resistor, 4700 Ohm	
315960	7-256	Resistor, 5600 Ohm	
315972	7-257	Resistor, 22000 Ohm	
315974	7-256	Resistor, 300000 Ohm	
315976	7-251,-252,-256	Capacitor, 470 Pf	
318801	7-257	Resistor, 47000 Ohm	
7-264			

Table 7-9. Automatic Send-Receive Cabinet (LAAC) - Continued

Part Number	Figure Number(s)	Description	Notes
318815	7-236	Capacitor, 5500 Mfd	
318835	7-258	Transistor	
318937	7-204	Tray, Copyholder	
319088	7-238	Block, Terminal	
319089	7-238	Insulator, Terminal Board	
319999	7-257	Capacitor, 0.01 Mfd	
320047	7-252	Capacitor, 2 Mfd	
320048	7-257	Capacitor, 0.5 Mfd	
320410	7-204,-205,-215, -222,-224,-231, -235,-241,-242, -247,-248	Terminal, Spade Type	
320413	7-224	Terminal, Spade Type	
320416	7-232,-236,-237, -242	Terminal, Ring Type	
320418	7-199,-200,-202, -203,-204,-223, -224,-232,-233, -236,-238,-242, -245,-247	Terminal, Ring Type	
320420	7-199,-225	Terminal, Ring Type	
320421	7-242,-247	Terminal, Ring Type	
321094	7-200	Shield, Anti-glare	
321133	7-237	Inductor	
321135	7-258	Diode, 1N4735A	
321145	7-258	Transistor, 2N2270	
321150	7-258	Resistor, 549 Ohm	
321154	7-250	Diode, 1N457A	
321156	7-250	Diode, 1N482A	

Table 7-9. Automatic Send-Receive Cabinet (LAAC) - Continued

Part Number	Figure Number(s)	Description	Notes
321157	7-250	Capacitor, 500 Pf	
321161	7-250	Diode, 1N748A	
321201	7-236	Screw, 1/4-20 x 1/2 Fil	
321207	7-237	Strip, Terminal	
321248	7-235	Cable Assembly	
321261	7-250,-258	Transistor, 2N4036	
321264	7-250	Capacitor, 2.7 Mfd	
321510	7-254 thru -257	Resistor, 51000 Ohm	
321545	7-253,-256	Resistor, 12000 Ohm	
322022	7-233,-254	Circuit Card Assembly	
322023	7-233,-254	Circuit Card Assembly	
322024	7-233,-256	Circuit Card Assembly	
322025	7-233,-257	Circuit Card Assembly	
322080	7-228,-252	Circuit Card Assembly	
322417	7-234,-249	Circuit Card Assembly	
323147	7-250	Resistor, 36000 Ohm	
323148	7-250	Resistor, 18000 Ohm	
323844	7-250	Transistor, 2N3053	
323845	7-250	Transistor, 40319	
323847	7-250	Sink, Heat	
323849	7-231	Coil, 132 Ohm	
323934	7-251	Transistor, 2N3565	
323960	7-236	Spacer	
324142	7-235	Connector, 3-Pt Plug	
324147	7-251	Pad, Transistor Mounting	

Table 7-9. Automatic Send-Receive Cabinet (LAAC) - Continued

Part Number	Figure Number(s)	Description	Notes
324149	7-240	Modification Kit	
324150	7-239	Container	
324151	7-239	Cover	
324156	7-242	Cable Assembly	
324157	7-242	Cable Assembly	
324158	7-242	Cable Assembly	
324159	7-242	Cable Assembly	
324662	7-258	Rectifier	
324677	7-245	Modification Kit	
324678	7-246	Panel, Lower Right	
324679	7-245	Bracket, Mounting	
324680	7-245	Bracket, Mounting	
324681	7-228	Cable Assembly	
324695	7-242	Cable Assembly	
325937	7-235,-240	Connector, 1/2 In. ID	
325938	7-239,-240	Connector, 3/4 In. 90 Degree	
325939	7-231,-235,-240	Connector, 1/2 In. ID 90 Degree	
325940	7-240	Connector, 1/2 In. ID 45 Degree	
325941	7-239	Conduit 3/4 ID x 7 In. Lg	
325942	7-240	Conduit, 1/2 ID x 7-1/2 In. Lg	
325943	7-240	Conduit, 1/2 ID x 18 In. Lg	
325944	7-239,-240	Nipple	

Table 7-9. Automatic Send-Receive Cabinet (LAAC) - Continued

Part Number	Figure Number(s)	Description	Notes
325953	7-240	Container	
325954	7-240	Cover	
325955	7-239,-240	Spacer	
325956	7-239	Connector, 3/4 In. ID	
325957	7-239,-240	Nut, 1/2-14 Lock	
325958	7-240	Insulator, Terminal Block	
325959	7-240	Insulator, Terminal Block	
325960	7-240	Block, Terminal	
325961	7-240	Block, Terminal	
326270	7-236	Connector, 15-Pt Circuit Card	
326276	7-253	Circuit Card	
326292	7-258	Diode	
326293	7-231	Resistor, 22 Ohm	
326350	7-240	Box Assembly, Power	
326373	7-245	Cable Assembly	
326760	7-245	Cable Assembly	
326771	7-247	Cable Assembly	
326778	7-242,-247	Strap, 5 In.	
326783	7-247	Cable Assembly	
327444	7-237	Capacitor, 2 Mfd	
327793	7-250	Resistor, 18 Ohm	
327944	7-250	Circuit Card	
327945	7-233	Decalcomania	
327946	7-252	Transistor, D13T2	

Table 7-9. Automatic Send-Receive Cabinet (LAAC) - Continued

Part Number	Figure Number(s)	Description	Notes
327969	7-249	Capacitor, 0.01 Mfd	
327992	7-237	Transformer	
327994	7-236	Capacitor, 220 Mfd	
328000	7-233	Numbering Module	
328001	7-249	Socket, Tube	
328002	7-249	Tube, Readout	
328003	7-233	Crystal	
328004	7-233	Crystal	
328005	7-233	Crystal	
328006	7-233	Crystal	
328007	7-233	Crystal	
328010	7-233	Numbering Module	
328011	7-233	Cable Assembly	
328014	7-233	Frame, Inner	
328015	7-234	Switch, Pushbutton	
328016	7-234	Switch, SP-DT Toggle	
328017	7-234	Plate Assembly, Front	
328018	7-234	Window, Polarized	
328019	7-234	Screen	
328020	7-234	Label	
328021	7-234	Frame, Window	
328022	7-233,-256	Screw w/Washer, 2-56 Spl	
328024	7-234	Cable Assembly	
328025	7-233	Cable Assembly	
328027	7-249	Circuit Card	

Table 7-9. Automatic Send-Receive Cabinet (LAAC) - Continued

Part Number	Figure Number (s)	Description	Notes
328028	7-234,-249	Cable Assembly	
328029	7-234	Bracket	
328030	7-233	Connector, 16-Pt Plug	
328031	7-232	Connector, 16-Pt Receptacle	
328042	7-255	Circuit Card	
328043	7-256	Socket, Crystal	
328045	7-256	Circuit Card	
328047	7-234	Bracket, Front	
328050	7-256	Circuit Card	
328053	7-229,-232	Nut, Toggle	
328066	7-250	Circuit Card	
329078	7-232	Choke	
330515	7-201,-243	Rail, Left	
330521	7-244	Cabinet	
330522	7-244	Pad, Base	
330593	7-250	Capacitor, 0.02 Mfd	
330640	7-254,-256,-257	Resistor, 150 Ohm	
330642	7-250	Resistor, 1.3 Megohm	
330643	7-250	Resistor, 56000 Ohm	
330644	7-251	Resistor, 390000 Ohm	
330645	7-257	Resistor, 560000 Ohm	
330650	7-233,-234	Numbering Module	
330660	7-252	Circuit Card	
330666	7-231	Fastener, Wing Type	

Table 7-9. Automatic Send-Receive Cabinet (LAAC) - Continued

Part Number	Figure Number(s)	Description	Notes
333053	7-238	Fuse, 1/16 Amp	
333601	7-229,-230,-231	Enclosure, Module	
333602	7-232	Cable Assembly	
333603	7-251	Circuit Card	
333605	7-228,-235 thru -238	Power Supply Assembly	
333606	7-231	Plate, Front	
333609	7-229	Bracket	
333610	7-228,-238	Plate Assembly	
333611	7-235	Plate, Mounting	
333614	7-230	Panel, Left Lower	
333615	7-229	Bracket	
333616	7-232	Chassis	
333617	7-229 thru -232	Container	
333618	7-231	Cover, Rear	
333619	7-230	Bracket	
333620	7-236,-258	Circuit Card Assembly	
333621	7-237	Plate Assembly	
333622	7-231,-232,-235	Cable Assembly	
333623	7-236	Container, Inner	
333625	7-235,-236,-237	Container, Outer	
333627	7-235	Cover, Outer	
333628	7-230	Shaft	
333630	7-236	Cable Assembly	
333631	7-235	Cable Assembly	

Table 7-9. Automatic Send-Receive Cabinet (LAAC) - Continued

Part Number	Figure Number(s)	Description	Notes
333633	7-228,-248	Cable Assembly	
333634	7-228,-248	Bracket	
334178	7-235	Reducer	
334179	7-235	Conduit, 5/8 ID x 28 In. Lg	
334180	7-231	Conduit, 5/8 ID x 21 In. Lg	
334182	7-237	Cable w/Terminal	
334183	7-231	Relay	
334185	7-237	Cable w/Terminal	
334186	7-235	Label	
334422	7-258	Bushing	
334526	7-258	Sink, Heat	
334527	7-238	Plate	
334528	7-237	Bracket	
334531	7-230	Bracket, Door	
334532	7-231	Plate, Mounting	
334533	7-231	Cable Assembly	
334534	7-248	Cable Assembly	
334535	7-236	Insulator, Terminal Block	
334536	7-258	Circuit Card	
334537	7-236	Jumper, 8 In.	
334541	7-228	Modification Kit	
334542	7-228	Modification Kit	
334543	7-228	Modification Kit	
334544	7-228	Modification Kit	
7-272			

Table 7-9. Automatic Send-Receive Cabinet (LAAC) - Continued

Part Number	Figure Number(s)	Description	Notes
334545	7-228	Modification Kit	
336002	7-258	Jumper, 6-1/2 In. Blue	
336004	7-258	Jumper, 6-1/2 In. Orange	
336005	7-258	Jumper, 6-1/2 In. Yellow	
336010	7-228	Cap, Protective	
336011	7-229,-231	Enclosure and Power Supply	
336014	7-228	Modification Kit	
336015	7-228	Modification Kit	
336016	7-228	Modification Kit	
336017	7-228	Modification Kit	
336018	7-228	Modification Kit	

Table 7-10. Paper Winder (LPW)

Part Number	Figure Number(s)	Description	Notes
1253	7-260	Screw, 8-32 x 3/8 Rd	
2191	7-260	Lockwasher	
3598	7-260	Nut, 6-40 Hex	
3640	7-260	Lockwasher	
3646	7-260	Lockwasher	
7002	7-260	Washer, Flat	
49514	7-260	Nut, 8-32 Hex	
70071	7-260	Lockwasher	
75435	7-260	Resistor, 600 Ohm	
75750	7-260	Washer, Insulating	
77902	7-260	Screw, 6-40 x 2-3/8 Rd	
92260	7-260	Lockwasher	
97347	7-260	Setscrew	
101833	7-260	Screw, 8-32 x 5/16 Fil	
111017	7-260	Screw, 6-40 x 5/16 Fil	
114466	7-260	Connector, 3-Pt Receptacle	
116793	7-260	Lockwasher	
119653	7-260	Ring, Retaining	
121245	7-260	Clamp, 5/16 In. ID Cable	
125015	7-260	Washer, Flat	
125016	7-260	Grommet, Rubber	
125170	7-260	Screw, 8-32 x 5/16 Fil	
125802	7-260	Washer, Flat	
150966	7-260	Insulator, Terminal Block	

Table 7-10. Paper Winder (LPW) - Continued

Part Number	Figure Number(s)	Description	Notes
151335	7-260	Stud	
151415	7-260	Block, Terminal	
151416	7-260	Nut, 6-40 Hex	
151658	7-260	Screw, 6-40 x 5/16 Fil	
151686	7-260	Screw, 4-40 x 3/8 Fil	
151692	7-260	Screw, 6-40 x 3/16 Fil	
151693	7-260	Screw, 6-40 x 9/16 Fil	
151694	7-260	Screw, 6-40 x 11/32 Fil	
155753	7-260	Sleeve, 1/8 ID x 1/2 In. Lg Insulating	
155755	7-260	Sleeve, 11/64 ID x 5/8 In. Lg Insulating	
162958	7-260	Switch, Mercury	
173168	7-260	Jumper, 4-1/2 In. Black	
173996	7-260	Connector, 3 Pt Plug	
178714	7-260	Switch, Rocker Type	
192007	7-260	Terminal, Tab Type	
193945	7-260	Bracket, Paper Winder	
193951	7-260	Guide, Paper	
193952	7-260	Bail, Slack	
193953	7-260	Housing, Motor	
193958	7-260	Motor, 115V AC	
193960	7-260	Pilot	
193963	7-260	Clip, Spring	
193964	7-260	Flange, Right	
193965	7-260	Flange, Left	

Table 7-10. Paper Winder (LPW) - Continued

Part Number	Figure Number(s)	Description	Notes
194863	7-260	Bracket	
195258	7-260	Cable Assembly	
195659	7-260	Jumper, 3 In. Black	
195731	7-260	Plate, Identification	
305676	7-260	Retainer	
305678	7-260	Post	
305679	7-260	Bearing	
320030	7-261	Shaft, Clutch Trip	
320032	7-261	Hub	
320033	7-261	Modification Kit	
320418	7-260	Terminal, Ring Type	
327100	7-260	Bearing	
327101	7-260	Post	
327102	7-260	Modification Kit	

Table 7-11. Electrical Service Unit (LESU)

Part Number	Figure Number(s)	Description	Notes
169M	7-273	Coil, Magnet	
247M	7-267	Coil, Magnet	
252M	7-267	Coil, Magnet	
1028	7-273,-278,-280	Screw, 4-40 x 1/4 Fil	
1093	7-267,-292	Screw, 8-32 x 7/16 Fil	
1157	7-262	Screw, 8-32 x 1/2 Fil	
1158	7-263	Screw, 6-32 x 5/16 Fil	
1172	7-264	Screw, 2-56 x 5/16 Fil	
2034	7-267	Washer, Flat	
2191	7-262 thru -292	Lockwasher	
2201	7-267	Nut, 5/16-32 Hex	
2422	7-264	Lockwasher	
2449	7-273	Lockwasher	
2658	7-268,-269	Nut, 6-32 Hex	
2669	7-281	Lockwasher	
3354	7-292	Nut, 8-32 Hex	
3438	7-278,-281,-285	Washer, Flat	
3595	7-273	Nut, 1/4-32 Hex	
3598	7-262 thru -267, -273,-283 thru -285,-289,-290, -292	Nut, 6-40 Hex	
3599	7-263,-275,-290		
3606	7-262,-263,-264, +277	Nut, 6-40 Hex	
3639	7-285	Lockwasher	

Table 7-11. Electrical Service Unit (LESU) - Continued

Part Number	Figure Number(s)	Description	Notes
3640	7-267,-284,-285, -289,-290	Lockwasher	
3642	7-264	Washer, Flat	
3646	7-262,-264,-267, -292	Lockwasher	
3650	7-285,-290	Washer, Flat	
3870	7-267	Spring	
3899	7-273	Spacer, 0.188 In. Thk	
5599	7-285,-289,-290	Nut, 8-32 Hex	
5816	7-267	Washer, Insulating	
6033	7-285,-289,-290	Lockwasher	
6345	7-269,-271	Nut, 6-32 Hex	
6347	7-284	Screw, 6-32 x 3/8 Rd	
7002	7-262 thru -285, -289,-290,-292	Washer, Flat	
7603	7-267	Spring	
7959	7-273	Bracket, Magnet	
8262	7-278	Knob	
8449	7-285,-290	Spacer, 0.094 In. Thk	
34432	7-281	Washer, Flat	
44048	7-262,-267,-272, -292	Washer, Flat	
49514	7-262	Nut, 8-32 Hex	
55219	7-277,-288	Screw, 8-32 x 3/8 Fil	
55318	7-270	Screw, 6-32 x 1/4 Rd	
61085	7-291	Lockwasher	
71047	7-273	Washer, Flat	

Table 7-11. Electrical Service Unit (LESU) - Continued

Part Number	Figure Number(s)	Description	Notes
71155	7-268	Screw, 6-32 x 1-1/4 Flat	
71646	7-268,-270	Nut, 6-32 Hex	
74615	7-264,-281	Resistor, 2000 Ohm	
74821	7-274,-275	Resistor, 2810 Ohm	
74882	7-267	Spring	
74980	7-264	Screw, 6-40 x 1-13/16 Rd	
75435	7-281	Resistor, 600 Ohm	
75750	7-273 thru -276, -278,-280,-281	Washer, Insulating	
76099	7-264,-278,-280	Washer, Flat	
76461	7-274,-275	Washer, Flat	
76983	7-273	Screw, 4-40 x 1-1/4 Fil	
77902	7-263,-264,-273, -274,-278,-280, -281,-284	Screw, 6-40 x 2-3/8 Rd	
79012	7-272	Insulator	
79967	7-272	Insulator	
80342	7-284	Screw, 6-40 x 23/64 Hex	
80612	7-264	Nut, 8-32 Hex	
80854	7-264,-267,-276	Screw, 6-40 x 1-7/16 Fil	
81836	7-264,-281	Washer, Insulating	
82870	7-278	Resistor, 6300 Ohm	
83054	7-265	Capacitor, 1 Mfd	
84990	7-285,-289,-290	Screw, 6-40 x 1/4 Flat	
85422	7-285,-289,-290	Screw, 10-32 x 15/16 Hex	
86742	7-284	Nut, 4-40 Hex	

Table 7-11. Electrical Service Unit (LESU) - Continued

Part Number	Figure Number(s)	Description	Notes
87636	7-291	Screw, 2-56 x 3/16 Rd	
89969	7-264	Washer, Insulating	
90789	7-264 thru -269, -273 thru -276 -280, -286, -292	Washer, Flat	
90790	7-281	Washer, Flat	
90791	7-291	Lockwasher	
90951	7-267	Lockwasher	
91683	7-262, -291	Nut, 15/32 Hex	
91684	7-262	Nut, 15/32-32 Ring	
91721	7-281	Screw, 10-32 x 2-3/4 Fil	
92260	7-268	Lockwasher	
92271	7-270	Screw, 6-32 x 2-3/4 Rd	
92527	7-262	Lockwasher	
92856	7-263, -281	Resistor, 1500 Ohm	
93073	7-281	Modification Kit	
93598	7-270	Screw, 4-40 x 5/16 Rd	
93711	7-264	Resistor, 200 Ohm	
93959	7-284	Key	
95063	7-291	Connector, 3-Pt Plug	
96216R	7-264	Jumper, 6 In. Red	
96262BK	7-268, -269	Jumper, 4 In. Lg Black	
96262S	7-268, -269	Jumper, 4 In. Lg Slate	
98142	7-284	Washer, Flat	
98726	7-291	Screw, 3-48 x 1/4 Fil	

Table 7-11. Electrical Service Unit (LESU) - Continued

Part Number	Figure Number(s)	Description	Notes
100657	7-263,-264	Connector, 2-Pt Receptacle	
101471	7-291	Connector, 8-Pt Receptacle	
104807	7-279	Washer, Flat	
107116	7-262,-284	Lockwasher	
107393	7-291	Switch, SP-ST Toggle	
110126	7-286	Lockwasher	
110435	7-267,-284	Nut, 4-40 Hex	
110743	7-263,-270,-273,-275,-278,-279,-280,-282,-284	Lockwasher	
111017	7-262,-263,-282, thru 311	Screw, 6-40 x 5/16 Fil	
111647	7-263,-264	Resistor, 1000 Ohm	
111970	7-280	Key, Line Test	
111971	7-280	Knob	
112435	7-291	Socket	
112485	7-270	Screw, 6-32 x 1/4 Fil	
112626	7-281	Nut, 10-32 Hex	
112627	7-264	Nut, 2-56 Hex	
114478	7-291	Nut, 15/32-32 Hex	
115537	7-264	Screw, 8-32 x 2-1/4 Rd	
115594	7-271,-277,-286,-287,-288-290	Nut, Speed	
116783	7-262,-269,-292	Holder, Fuse	
116785	7-292	Fuse, 0.3 Amp	
118180	7-289	Resistor, 10000 Ohm	

Table 7-11. Electrical Service Unit (LESU) - Continued

Part Number	Figure Number (s)	Description	Notes
118210	7-268	Resistor, 22000 Ohm	
118578	7-291	Clamp, 3/4 In. ID Cable	
118659	7-262	Switch, Toggle	
118720	7-282	Resistor, 100000 Ohm	
119045	7-262,-274,-275	Grommet, Rubber	
119218	7-264	Resistor, 3500 Ohm	
120121	7-282	Resistor, 62000 Ohm	
120165	7-262	Fuse, 10 Amp	
120175	7-262	Plate Off-On	
120195	7-268	Rectifier	
120205	7-282	Shield, Tube	
120421	7-284	Resistor, 100 Ohm	
121018	7-270	Nut, 4-40 Hex	
121125	7-267,-285,-289,-290	Washer, Spring	
121243	7-271,-276,-285,-287,-290	Clamp, 3/16 In. ID Cable	
121244	7-262	Clamp 1/4 In. ID Cable	
121245	7-262,-284	Clamp 5/16 In. ID Cable	
121246	7-262,-275	Clamp, 3/8 In. ID Cable	
121247	7-262,-284	Clamp, 7/16 In. ID Cable	
121248	7-262	Clamp, 1/2 In. ID Cable	
121249	7-262,-263	Clamp, 5/8 In. ID Cable	
121250	7-262	Clamp, 3/4 In. ID Cable	
121413	7-263	Spacer, 0.344 In. Thk	
121630	7-269	Washer, Flat	

7-282

Table 7-11. Electrical Service Unit (LESU) - Continued

Part Number	Figure Number(s)	Description	Notes
123146	7-274	Socket, 6-Pt	
124220	7-291	Pin, Drive	
124612	7-286,-287,-290	Screw, 8-32 x 1/2 Hex	
125010	7-263,-264	Washer, Insulating	
125011	7-263,-273,-278,-280	Washer, Flat	
125015	7-264,-268,-273,-284	Washer, Flat	
125100	7-286,-287	Washer, Flat	
125112	7-273	Screw, 2-56 x 1/8 Fil	
125130	7-284	Screw, 6-32 x 1/2 Fil	
125170	7-272	Screw, 8-32 x 5/16 Fil	
125186	7-262	Screw, 8-32 x 3/4 Fil	
125237	7-285,-289,-290	Spring, Compression	
125306	7-273	Stop, Magnet Plunger	
125315	7-270	Washer, Insulating	
125390	7-267	Washer, Flat	
129854	7-289	Resistor, 10000 Ohm	
129916	7-282	Capacitor, 0.1 Mfd	
129919	7-262,	Fuse, 4 Amp SL-BL	
135563	7-293	Jumper, 2-3/4 In. Green	
137441	7-282	Resistor, 1200 Ohm	
139335	7-270	Connector, 6-Pt Plug	
139380	7-291	Connector, 6-Pt Receptacle	
139777	7-278,-281	Screw, 3-56 x 1/4 Flat	

Table 7-11. Electrical Service Unit (LESU) - Continued

Part Number	Figure Number(s)	Description	Notes
139971	7-262,-279	Screw, 2-56 Self-Tapping	
143306	7-269	Fuse, 1 Amp SL-BL	
144227	7-290	Connector, Black Insulated	
144610	7-284	Card, EC610 Circuit	
144625	7-284	Guard	
144630	7-284	Block, Mounting	
144631	7-284	Post, Mounting	
144633	7-284,-291	Jumper, 18 In. Black	
144634	7-284	Relay, 90 Ohm	
144960	7-284	Plate, Mounting	
144962	7-284	Bracket, Mounting	
145047	7-291	Connector, 3-Pt Receptacle	
145071	7-284	Plate, Mounting	
145072	7-284	Plate, Mounting	
145256	7-291	Connector, 3-Pt Receptacle	
145270	7-284	Capacitor, 1 Mfd	
145753	7-285,-289,-290	Bushing	
146901	7-270	Rectifier Assembly	
146967	7-270	Resistor, 750 Ohm	
146968	7-270	Transformer	
147060	7-283	Plate	
147061	7-283	Mount, Jack	
7-284			

Table 7-11. Electrical Service Unit (LESU) - Continued

Part Number	Figure Number(s)	Description	Notes
147062	7-283	Jack, Line	
148257	7-270	Terminal, Insulated	
150040	7-262 thru -267 -274 thru -276 -282, -309, -311	Screw, 6-40 x 5/8 Fil	
150849	7-264	Washer, Insulating	
150948	7-262	Plate	
150949	7-262	Plate, Serial	
150950	7-262	Plate, Code	
150966	7-288	Insulator, Terminal	
150995	7-274, -275, -276	Bushing	
151229	7-290	Washer, Flat	
151335	7-288	Stud	
151346	7-262, -263	Screw, 6-40 x 3/8 Fil	
151401	7-267	Base	
151402	7-267	Core	
151403	7-267	Frame	
151406	7-267	Plate, Insulating	
151407	7-267	Collar, Spacing	
151408	7-267	Lever	
151409	7-267	Armature	
151410	7-267	Clip, Retaining	
151411	7-262, -263, -282 -283, -284	Block, Terminal	
151412	7-262, -263, -282, -283, -284	Insulator, Terminal	
151414	7-267	Switch, Sensitive	

Table 7-11. Electrical Service Unit (LESU) - Continued

Part Number	Figure Number(s)	Description	Notes
151415	7-288	Block, Terminal	
151416	7-262,-263,-282 -288	Nut, 6-40 Hex	
151422	7-262	Connector, 2-Pt Receptacle	
151426	7-264	Plate, 3-3/4 In. Wide Blank	
151427	7-264 thru -276, -280,-283,-284, -292	Plate, Clamp	
151432	7-267	Armature	
151437	7-262,-263,-284	Stud	
151440	7-267	Stud	
151441	7-264	Plate, 2-3/4 In. Wide Blank	
151574	7-266	Grommet, Rubber	
151616	7-262	Screw, No. 2 Self-Tapping	
151618	7-262,-263	Screw, 6-40 x 7/16 Fil	
151629	7-271	Nut, 6-40 Lug	
151630	7-263,-264,-265, -267,-271,-274, -275,-284	Screw, 6-40 x 1/4 Hex	
151631	7-266,-273,-275, -276,-285,-290	Screw, 6-40 x 5/16 Hex	
151632	7-267,-285,-289, -290	Screw, 6-40 x 3/8 Hex	
151637	7-278,-280,-284	Screw, 4-40 x 1/4 Fil	
151657	7-263,-273,-275, -277,-278,-288	Screw, 6-40 x 1/4 Fil	
151659	7-263,-292	Screw, 6-40 x 1/2 Fil	

Table 7-11. Electrical Service Unit (LESU) - Continued

Part Number	Figure Number(s)	Description	Notes
151685	7-263,-282	Screw, 4-40 x 5/16 Fil	
151687	7-285,-289,-290,	Screw, 4-40 x 7/16 Fil	
151689	7-290	Screw, 4-40 x 3/4 Fil	
151692	7-274,-285,-289, -290	Screw, 6-40 x 3/16 Fil	
151722	7-274,-275,-277	Screw, 6-40 x 3/16 Hex	
151733	7-284	Screw, 4-40 x 9/16 Fil	
151801	7-287	Bushing, Clamp	
151808	7-263,-277	Relay	
151814	7-263,-277	Bracket, Relay Mounting	
151818	7-284,-291	Jumper, 4-1/4 In. Black	
151819	7-267,-273,-278, -280,-283,-284, -290,-291,-292	Jumper, 3 In. Black	
151827	7-262,-263,-283	Strap, Terminal	
151880	7-282	Nut, 4-40 Hex	
151913	7-268	Plate, Mounting	
151916	7-268	Transformer	
151939	7-292	Grommet, Rubber	
152332	7-273	Control Assembly, Motor	
152426	7-271	Nut, 6-40 Self-Locking	
152465	7-263,-291,-293	Connector, 20-Pt Receptacle	
152466	7-263,-291,-293	Connector, 20-Pt Receptacle	
152625	7-280	Key Assembly, Line-Test	
152745	7-280	Bracket, Test Key	

Table 7-11. Electrical Service Unit (LESU) - Continued

Part Number	Figure Number(s)	Description	Notes
152750	7-263	Cable Assembly	
152755	7-263	Strap, Terminal	
152757	7-264	Plate Assembly, Blank	
152759	7-264	Plate Assembly	
152760	7-262,-283	Stud	
152761	7-262,-263,-292	Stud	
152893	7-285,-289,-290,	Screw, 4-40 x 1/4 Hex	
152950	7-268	Rectifier Assembly	
152988	7-264	Plate, Cover	
153002	7-262	Plate, Bell Identification	
153017	7-277,-287	Nut, Speed	
153102	7-279	Setscrew, 8-32	
153108	7-268	Insulator, 0.031 In. Thk	
153157	7-267	Resistor, 400 Ohm	
153251	7-267	Control Assembly, Motor	
153451	7-278,-280	Block, Terminal	
153454	7-280	Bracket	
153455	7-276	Resistor, 600 Ohm	
153456	7-263	Bracket	
153457	7-263	Strap, Terminal	
153460	7-263	Plate, Left Mounting	
153462	7-262	Plate	
153476	7-278,-280	Cable w/Terminals	
153477	7-268,-269	Cable w/Terminals	
153478	7-267	Cable w/Terminals	
7-288			

Table 7-11. Electrical Service Unit (LESU) - Continued

Part Number	Figure Number(s)	Description	Notes
153481	7-278,-280	Resistor, 5800 Ohm	
153484	7-274,-275,-276	Screw, 6-32 Spl	
153537	7-272	Screw, 4-40 x 9/32 Hex	
153538	7-285,-289	Screw, 6-40 x 7/16 Hex	
153631	7-284	Network, Spark Suppression	
153799	7-279	Screw, 4-40 x 21/64 Hex	
153841	7-271,-284	Screw, 6-40 x 9/16 Hex	
154335	7-280	Screw, 6-40 x 9/32 Fil	
154337	7-267	Cover	
154395	7-273	Plunger, Solenoid	
154408	7-281	Bracket	
154444	7-279	Fork	
154449	7-279	Shaft	
154459	7-279	Fork	
154632	7-273	Block, Terminal	
154636	7-273	Plate	
154665	7-273	Cable w/Terminals	
154697	7-290	Grommet, Rubber	
155023	7-262,-291	Switch, DP-DT Toggle	
155043	7-273	Solenoid Assembly	
155591	7-268	Capacitor, 220 Mfd	
155750	7-271,-273,-278, -281,-287,-291	Sleeve, 3/32 ID x 1/2 In. Lg Insulating	
155751	7-291	Sleeve, 1/8 ID x 1 In. Lg Insulating	

Table 7-11. Electrical Service Unit (LESU) - Continued

Part Number	Figure Number(s)	Description	Notes
155752	7-291	Sleeve, 5/64 ID x 1/2 In. Lg Insulating	
155753	7-274,-275,-291	Sleeve, 1/8 ID x 1/2 In. Lg Insulating	
155754	7-271,-291	Sleeve, 1/16 ID x 1/2 In. Lg Insulating	
155755	7-281,-291,-293	Sleeve, 11/64 ID x 5/8 In. Lg Insulating	
155858	7-264	Resistor, 700 Ohm	
155859	7-291,-293	Screw, 4-40 Spl	
155861	7-291,-293	Lockwasher	
156632	7-285,-290	Screw, 6-40 x 13/32 Hex	
156880	7-290	Jumper, 2-3/8 In. Black	
157230	7-287,-290,-291	Jumper, 6 In. Black	
157231	7-291	Jumper, 8 In. Black	
157232	7-290,-291	Jumper, 9-1/4 In. Black	
157307	7-273	Spacer	
157308	7-273	Bracket	
157309	7-273	Plate, Nut	
157310	7-273	Switch, Sensitive	
157998	7-291	Jumper, 12 In. Black	
158215	7-273	Plate, Nut	
158216	7-263	Plate, Nut	
158259	7-291	Connector, 20-Pt Receptacle	
158266	7-278	Cable w/Terminals	
158272	7-262	Plate, Right Mounting	

Table 7-11. Electrical Service Unit (LESU) - Continued

Part Number	Figure Number(s)	Description	Notes
158273	7-263	Plate, Left Mounting	
158278	7-262,-263,-284	Container	
158279	7-264	Plate, 1-5/16 In. Wide Blank	
158280	7-263	Plate, Left Mounting	
158284	7-263	Connector, 20-Pt Receptacle	
158286	7-292	Transformer	
158291	7-263,-277	Cover, Relay	
158292	7-262,-284	Bracket, Terminal	
158293	7-278	Key Assembly, Line Test	
158294	7-278	Key, Line Test	
158295	7-278	Bracket, Resistor	
158296	7-278	Bracket, Test Key	
158601	7-291	Connector, 14-Pt Plug	
158694	7-279	Plate, Designation	
158696	7-279	Knob	
158827	7-291	Connector, 32-Pt Receptacle	
159269	7-269	Fuse, 3/8 Amp	
159320	7-272	Cover, Relay	
159321	7-272	Bracket, Relay	
159322	7-272	Plate, Relay	
159323	7-273	Resistor, 1500 Ohm	
159541	7-287,-291	Connector, 16-Pt Plug	
159611	7-266	Bell	

Table 7-11. Electrical Service Unit (LESU) - Continued

Part Number	Figure Number(s)	Description	Notes
159819	7-291	Connector, 32-Pt Plug	
159820	7-291	Connector, 32-Pt Receptacle	
159821	7-264	Plate, Tape Out Connector	
160229	7-268,-269	Plate, Mounting	
160307	7-269	Diode	
160308	7-269	Capacitor, 300 Mfd	
160309	7-269	Transformer	
160367	7-263	Plate, Left Mounting	
160369	7-291	Switch, NO Pushbutton	
160384	7-291	Bracket	
160386	7-281	Resistor, 1000 Ohm	
160419	7-277	Cable w/Terminals	
160420	7-277	Relay Assembly, Line Shunt	
160421	7-277	Bracket	
160422	7-288	Modification Kit	
160432	7-291	Jumper, 16 In. Black	
160433	7-291	Jumper, 14 In. Black	
160439	7-271,-287,-288,-290	Bracket	
160442	7-288	Cable w/Terminals	
160678	7-291	Jumper, 24 In. Black	
160847	7-273	Stud	
161136	7-262	Fuse, 6-1/4 Amp SL-BL	
161239	7-291	Connector, 36-Pt Plug	
161525	7-271	Connector, 14-Pt Plug	
7-292			

Table 7-11. Electrical Service Unit (LESU) - Continued

Part Number	Figure Number(s)	Description	Notes
161526	7-291	Connector, 14-Pt Receptacle	
161829	7-286	Modification Kit	
161875	7-284	Resistor, 2000 Ohm	
161958	7-286	Bracket, Mounting	
161967	7-286	Bracket, Right	
161968	7-286	Bracket, Left	
161969	7-286	Stud	
162357	7-269	Capacitor, 500 Mfd	
162358	7-268	Diode	
162359	7-269	Transformer, Power	
162360	7-269	Fuse, 0.8 Amp SL-BL	
162361	7-269,-288	Rectifier Assembly	
162428	7-291	Jumper, 6 In. Black	
162441	7-264	Resistor, 3750 Ohm	
162630	7-279	Modification Kit	
162864	7-274,-275	Clamp, 7/8 In. ID Cable	
163169	7-279	Shaft, Control	
163172	7-279	Bracket, Arm	
163965	7-264	Plate Assembly	
163966	7-264	Plate	
164232	7-278	Key Assembly, Line Test	
164233	7-278	Cable w/Terminals	
164641	7-291	Jumper, 18 In. Lg Black	
164642	7-291	Jumper, 22 In. Black	

Table 7-11. Electrical Service Unit (LESU) - Continued

Part Number	Figure Number(s)	Description	Notes
164643	7-291	Jumper, 33 In. Black	
164840	7-264	Plate, Mounting	
165008	7-263,-292	Turret, Terminal	
165060	7-284	Socket, Tube	
165116	7-275	Terminal	
165168	7-284	Key	
165449	7-271	Resistor, 47 Ohm	
165522	7-274	Diode	
165552	7-263	Resistor, 1000 Ohm	
165650	7-275	Relay Assembly	
165651	7-275	Bracket, Mounting	
165652	7-275	Cable w/Terminals	
165673	7-276	Relay Assembly, Motor Control	
165683	7-276	Cable w/Terminals	
170319	7-287	Connector, 24-Pt Plug	
170320	7-287	Connector, 24-Pt Receptacle	
170573	7-270	Rectifier Assembly	
171461	7-270	Capacitor, 900 Mfd	
171463	7-270	Resistor, 1 Ohm	
171490	7-284	Connector, 15-Pt Circuit Card	
171516	7-284	Relay	
171525	7-292	Resistor, 1000 Ohm	
171541	7-271,-292	Diode	

Table 7-11. Electrical Service Unit (LESU) - Continued

Part Number	Figure Number(s)	Description	Notes
171602	7-284	Diode	
171609	7-270	Diode	
171610	7-270	Transformer	
171644	7-270	Fuse, 1.5 Amp	
171651	7-291	Connector, 6-Pt Receptacle	
171952	7-290,-291	Connector, Green Shielding	
171956	7-290	Connector, Green Shielding	
171965	7-290	Connector, Yellow Shielding	
171972	7-290,-291	Connector, Green Insulated	
173138	7-279	Plate, Designation	
173239	7-277	Relay Assembly	
173240	7-277	Cable w/Terminals	
173252	7-278	Key Assembly, Line-Test	
173452	7-282	Keyer Assembly, Electronic	
173716	7-291	Terminal, Receptacle Type	
173724	7-263	Modification Kit	
173797	7-282	Plate	
173800	7-282	Turret, Socket	
173801	7-282	Tube, Vacuum	
173817	7-282	Base, Tube Shield	
173842	7-282	Stud	
173844	7-282	Resistor, 200000 Ohm	

Table 7-11. Electrical Service Unit (LESU) - Continued

Part Number	Figure Number (s)	Description	Notes
173974	7-285	Screw, 10-32 x 5/16 Hex	
176161	7-291	Jumper, 25 In. Black	
176162	7-291	Jumper, 21 In. Lg Black	
176163	7-291	Jumper, 18 In. Lg Black	
176382	7-291	Switch, Rotary	
176448	7-273	Control Assembly, Relay Motor	
176495	7-268	Transformer, Power	
176692	7-272	Relay, 4000 Ohm	
176693	7-272	Cable w/Terminals	
176694	7-272	Relay Assembly, Motor Control	
176696	7-272	Relay, Slow Release	
176697	7-272	Cable w/Terminals	
176698	7-272	Relay Assembly	
177010	7-271	Driver Assembly Selector Magnet	
178306	7-274,-275,-276	Relay, Power	
178307	7-276	Relay Assembly, Motor Control	
178308	7-274	Cable w/Terminals	
178326	7-274,-275	Capacitor, 20 Mfd	
178327	7-274	Cable Assembly	
178328	7-274	Bracket, Mounting	
178330	7-275	Plate	
178345	7-274	Modificiation Kit	
178394	7-276	Plate	

7-296

Table 7-11. Electrical Service Unit (LESU) - Continued

Part Number	Figure Number(s)	Description	Notes
178535	7-274,-275,-276	Suppressor, Spark	
178601	7-271	Driver Assembly, Selector Magnet	
178602	7-271	Cable w/Terminals	
178608	7-274	Relay Assembly, Motor Control	
178609	7-274	Cable w/Terminals	
178832	7-262	Plate, Adapter	
178840	7-271	Capacitor, 400 Mfd	
178841	7-271	Transformer	
178843	7-271	Plate, Mounting	
178853	7-263	Cover, Relay	
178854	7-263	Bracket, Relay	
178855	7-263	Plate, Left	
178856	7-263	Relay, Line Shunt	
178859	7-271	Card, Circuit	
178860	7-285,-289,-290	Capacitor, 0.022 Mfd	
178868	7-272	Resistor, 700 Ohm	
178872	7-268,-269	Sleeve, 1/16 ID x 1-1/4 In. Ig Insulating	
178886	7-271	Cable w/Terminals	
178887	7-271	Cable w/Terminals	
178888	7-271	Clip	
178913	7-262	Diode	
179139	7-287	Relay Assembly, Line	
179444	7-277	Relay Assembly	

Table 7-11. Electrical Service Unit (LESU) - Continued

Part Number	Figure Number(s)	Description	Notes
179446	7-277	Cable w/Terminals	
179484	7-277,-287	Screw, 12-24 Spl	
179560	7-271	Driver Assembly, Selector Magnet	
179561	7-271	Cable Assembly	
179562	7-271	Card, Circuit	
179610	7-290	Modification Kit	
179611	7-290	Modification Kit	
179748	7-290	Connector, 5-Pt Plug	
179749	7-290	Connector, 5-Pt Receptacle	
179782	7-274,-275,-276	Screw, 6-40 x 7/8 Hex	
179796	7-285,-289,-290	Chassis	
179812	7-285,-289,-290	Bracket, Mounting	
179813	7-285,-289,-290	Dissipator, Heat	
181618	7-290	Capacitor 0.01 Mfd	
181648	7-270	Capacitor, 0.1 Mfd	
182510	7-291	Cord, Power	
192014	7-291	Connector, 50-Pt Receptacle	
192177	7-291	Terminal, Receptacle Type	
192710	7-285,-289,-290	Cover	
192713	7-285,-289,-290	Capacitor, 1 Mfd	
192714	7-285,-289,-290	Choke, 0.070 Ohm	
192715	7-285,-289,-290	Transformer	
192719	7-285,-289,-290	Bushing, Shoulder	

Table 7-11. Electrical Service Unit (ESU) - Continued

Part Number	Figure Number(s)	Description	Notes
192720	7-290	Diode	
192721	7-285,-290	Diode	
192723	7-285,-290	Resistor, 100 Ohm	
192724	7-285,-290	Resistor, 600 Ohm	
192725	7-285,-290	Resistor, 800 Ohm	
192726	7-285,-290	Block	
192727	7-285,-289,-290	Clamp	
192730	7-290,-290	Driver Assembly, Selector Magnet	
192737	7-285,-289,-290	Bracket, Resistor	
192740	7-290	Keyer Assembly, Low-Level	
192747	7-285,-289,-290	Spacer, 0.125 In. Thk	
192750	7-289	Rectifier Assembly	
192754	7-285,-289,-290	Varistor Assembly	
192767	7-285,-290	Transistor	
192970	7-285,-289,-290	Post	
192973	7-285,-290	Washer, Insulating	
192974	7-285,-289,-290	Washer, Insulating	
192979	7-285,-289,-290	Stud	
192980	7-285,-289,-290	Terminal, Lug	
192984	7-285,-290	Socket, 3-Pt	
193687	7-287	Cable Assembly	
194492	7-278	Key Assembly, Line-Test	
195036	7-287	Relay Assembly, Line	
195038	7-277,-287	Relay Assembly, Line Shunt	

Table 7-11. Electrical Service Unit (LESU) - Continued

Part Number	Figure Number(s)	Description	Notes
195039	7-287	Cable Assembly	
195040	7-277	Cable w/Terminals	
195041	7-277	Cable w/Terminals	
195177	7-271	Washer, Insulating	
195270	7-290	Jumper, 3-1/2 In. Lg Green	
195272	7-285,-289,-290	Screw, 6-40 Spl	
195273	7-285,-289,-290	Bushing	
195296	7-290	Jumper, 3-1/2 In. Lg Green	
195526	7-271	Board w/Terminal	
195527	7-271	Jumper, 12 In. Slate	
195528	7-271	Modification Kit	
198356	7-264	Plate	
198366	7-281	Modification Kit	
198367	7-281	Cable w/Terminals	
198665	7-264	Plate Assembly	
198666	7-264	Plate	
199003	7-290	Card, Circuit	
199006	7-285,-289,-290	Card, Circuit	
199010	7-289	Diode	
199013	7-285,-289,-290	Post, White Insulated	
199016	7-285,-290	Post	
199017	7-289	Post	
199018	7-289	Post	
199019	7-290	Cover	

Table 7-11. Electrical Service Unit (LESU) - Continued

Part Number	Figure Number(s)	Description	Notes
199020	7-285,-290	Cover	
199021	7-290	Cover	
199022	7-289	Cover	
199023	7-289	Cover	
199028	7-285,-289,-290	Post	
199038	7-290	Card, Circuit	
199058	7-265	Plate, Rectifier Mounting	
199059	7-265	Plate, Switch Mounting	
300371	7-285	Capacitor, 0.022 Mfd	
305019	7-290	Jumper, 2 In. Brown	
305020	7-290	Jumper, 2 In. Purple	
305038	7-285,-289,-290	Washer, Insulating	
305091	7-289	Capacitor, 0.22 Mfd	
305092	7-289	Post White Insulated	
305143	7-292	Rectifier Assembly	
305144	7-292	Plate, Mounting	
305150	7-292	Block, Terminal	
305151	7-292	Washer, Insulating	
305686	7-265	Bracket, Capacitor	
305717	7-265	Cable w/Terminals	
309895	7-281	Cable Assembly	
310217	7-285	Driver Assembly	
310218	7-285	Cover	
310220	7-285	Card, Circuit	
310235	7-263	Plate, Left	

Table 7-11. Electrical Service Unit (LESU) - Continued

Part Number	Figure Number(s)	Description	Notes
310274	7-269	Transformer	
310275	7-269	Rectifier Assembly	
310293	7-281	Modification Kit	
311727	7-282	Resistor, 750 Ohm	
312529	7-278	Cover	
317323	7-271	Post	
319003	7-285	Bracket	
320300	7-292	Capacitor, 5000 Mfd	
320408	7-290	Terminal, Spade Type	
320410	7-263,-267,-268, -269,-271 thru -284,-287,-288, -288,-291	Terminal, Spade Type	
320416	7-285,-290	Terminal, Ring Type	
320419	7-291	Terminal, Ring Type	
320420	7-263,-290,-291, -293	Terminal, Ring Type	
320421	7-291	Terminal, Ring Type	
321418	7-275,-277,-287, -290,-291,-292, -293	Terminal, Ring Type	
321925	7-270	Cover, Rectifier	
321926	7-270	Cover	
323639	7-291	Jumper, 30 In. Lg	
324152	7-293	Cable Assembly	
324685	7-293	Cable w/Cables	
326763	7-293	Cable w/Cables	
330863	7-266	Plate	

Table 7-12. Auxiliary Typing Reperforator Electrical Service Unit (LESU)

Part Number	Figure Number(s)	Description	Notes
169M	7-298	Coil, Magnet	
247M	7-297	Coil, Magnet	
252M	7-297	Coil, Magnet	
1028	7-295,-298	Screw, 4-40 x 1/4 Fil	
1093	7-297	Screw, 8-32 x 7/16 Fil	
1157	7-294	Screw, 8-32 x 1/2 Fil	
1158	7-294	Screw, 6-32 x 5/16 Fil	
1248	7-295	Screw, 6-40 x 1/2 Flat	
2034	7-297	Washer, Flat	
2191	7-294 thru -303	Lockwasher	
2201	7-297	Nut, 5/16-32 Hex	
2449	7-298	Lockwasher	
2658	7-296	Nut, 6-32 Hex	
3595	7-298	Nut, 1/4-32 Hex	
3598	7-294,-295,-297 -298	Nut, 6-40 Hex	
3606	7-294-300-301	Nut, 6-40 Hex	
3646	7-294,-297	Lockwasher	
3870	7-297	Spring	
3899	7-298	Spacer, 0.188 In. Thk	
5816	7-297	Washer, Insulating	
6345	7-294,-299	Nut, 6-32 Hex	
6827	7-295	Block	
7002	7-294 thru -303	Washer, Flat	
7603	7-297	Spring	

Table 7-12. Auxiliary Typing Reperforator Electrical Service Unit (LESU) - Continued

Part Number	Figure Number(s)	Description	Notes
7959	7-298	Bracket, Magnet	
44048	7-294,-297,-302	Washer, Flat	
49514	7-294	Nut, 8-32 Hex	
71047	7-298	Washer, Flat	
71155	7-296	Screw, 6-32 x 1-1/4 Flat	
71646	7-296	Nut, 6-32 Hex	
74614	7-295	Resistor, 2600 Ohm	
74821	7-295	Resistor, 2810 Ohm	
74882	7-297	Spring	
74979	7-294	Screw, 6-32 x 3-3/4 Rd	
75750	7-295,-298	Washer, Insulating	
76983	7-298	Screw, 4-40 x 1-1/4 Fil	
77902	7-295,-298	Screw, 6-40 x 2-3/8 Rd	
79012	7-302	Insulator	
79967	7-302	Insulator	
80709	7-301	Screw, 6-40 x 1/4 Rd	
80854	7-297	Screw, 6-40 x 1-7/16 Fil	
81836	7-294	Washer, Insulating	
82474	7-303	Terminal	
82516	7-295	Spring, Retaining	
89548	7-295	Spring, Contact	
90789	7-294 thru -303	Washer, Flat	
90951	7-297	Lockwasher	
91683	7-294	Nut, 15/32-32 Hex	

Table 7-12. Auxiliary Typing Reperforator Electrical Service Unit (LESU) - Continued

Part Number	Figure Number(s)	Description	Notes
92260	7-296	Lockwasher	
92527	7-294	Lockwasher	
92856	7-294	Resistor, 1500 Ohm	
96262BK	7-296	Jumper, 4 In. Lg Black	
96262S	7-296	Jumper, 4 In. Lg Slate	
107398	7-303	Terminal	
110435	7-295	Nut, 4-40 Hex	
110743	7-296	Lockwasher	
111017	7-294	Screw, 6-40 x 5/16 Fil	
114478	7-294	Nut, 15/32-32 Hex	
116783	7-291,-294,-296	Holder, Fuse	
118210	7-296	Resistor, 22000 Ohm	
120195	7-296	Rectifier	
121125	7-297	Washer, Spring	
121243	7-299	Clamp, 3/16 In. ID Cable	
121245	7-297	Clamp, 5/16 In. ID Cable	
121246	7-294	Clamp, 3/8 In. ID Cable	
121249	7-294	Clamp, 5/8 In. ID Cable	
125011	7-298	Washer, Flat	
125015	7-295,-296,-298	Washer, Flat	
125112	7-298	Screw, 2-56 x 1/8 Fil	
125170	7-302	Screw, 8-32 x 5/16 Fil	
125306	7-298	Stop, Magnet Plunger	
125390	7-297	Washer, Flat	

Table 7-12. Auxiliary Typing Reperforator Electrical Service Unit (LESU) - Continued

Part Number	Figure Number(s)	Description	Notes
129919	7-294	Fuse, 4 Amp	
138191	7-295	Screw, 3-48 x 1 Rd	
138538	7-301	Fuse, 2 Amp SL-BL	
150040	7-294 thru -298, -301, -302	Screw, 6-40 x 5/8 Fil	
151346	7-294	Screw, 6-40 x 3/8 Fil	
151401	7-297	Base	
151402	7-297	Core	
151403	7-297	Frame	
151406	7-297	Plate, Insulating	
151407	7-297	Collar, Spacing	
151408	7-297	Lever	
151409	7-297	Armature	
151410	7-297	Clip, Retaining	
151411	7-294	Block, Terminal	
151412	7-294	Insulator	
151414	7-297	Switch, Sensitive	
151416	7-294	Nut, 6-40 Hex	
151426	7-294	Plate, 3-3/4 In. Blank	
151427	7-294 thru -303	Plate, Clamp	
151432	7-297	Armature	
151437	7-294	Stud	
151440	7-297	Stud	
151441	7-294	Plate, 2-3/4 In. Blank	
151618	7-294	Screw, 6-40 x 7/16 Fil	

7-306

Table 7-12. Auxiliary Typing Reperforator Electrical Service Unit (LESU) - Continued

Part Number	Figure Number(s)	Description	Notes
151626	7-295 thru -299 -302,-303	Terminal	
151629	7-299	Nut, 6-40 Lug	
151630	7-297,-299	Screw, 6-40 x 1/4 Hex	
151631	7-294,-298	Screw, 6-40 x 5/16 Hex	
151632	7-297	Screw, 6-40 x 3/8 Hex	
151657	7-294,-295,-298, -300	Screw, 6-40 x 1/4 Fil	
151808	7-300	Relay	
151814	7-300	Bracket, Relay Mounting	
151818	7-303	Jumper, 4-1/4 In. Lg Black	
151819	7-295,-297,-298, -303	Jumper, 3 In. Lg Black	
151827	7-294	Strap, Terminal	
151913	7-296	Plate, Mounting	
151916	7-296	Transformer	
151996	7-303	Cable w/Terminals	
152109	7-295	Filter	
152110	7-295	Bracket, Resistor Mounting	
152124	7-295	Spacer	
152426	7-299	Nut	
152465	7-303	Connector, 20-Pt Receptacle	
152466	7-303	Connector, 20-Pt Receptacle	
152623	7-295	Mounting Assembly, Line Relay	

Table 7-12. Auxiliary Typing Reperforator Electrical Service Unit (LESU) - Continued

Part Number	Figure Number (s)	Description	Notes
152760	7-294	Stud	
152761	7-294	Stud	
152950	7-296	Rectifier Assembly, 150 mA	
153108	7-296	Insulator, 0.031 In. Thk	
153157	7-297	Resistor, 400 Ohm	
153251	7-297	Control Assembly, Motor	
153456	7-294	Bracket	
153457	7-294	Strap, Terminal	
153461	7-300	Plate, Right Mounting	
153462	7-294	Plate	
153464	7-295	Block, Terminal	
153475	7-295	Cable w/Terminals	
153477	7-296	Cable w/Terminals	
153478	7-297	Cable w/Terminals	
153480	7-295	Resistor, 6750 Ohm	
153481	7-295	Resistor, 5800 Ohm	
153482	7-295	Plate, Relay	
153537	7-302	Screw, 6-40 x 9/32 Hex	
153841	7-299	Screw, 6-40 x 9/16 Hex	
154335	7-295	Screw, 6-40 x 9/32 Fil	
154337	7-297	Cover	
154395	7-298	Plunger, Solenoid	
154632	7-298	Block, Terminal	
154636	7-298	Plate	

Table 7-12. Auxiliary Typing Reperforator Electrical Service Unit (LESU) - Continued

Part Number	Figure Number (s)	Description	Notes
155023	7-294	Switch, DP-DT Toggle	
155043	7-298	Solenoid Assembly	
155591	7-296	Capacitor, 220 Mfd	
155750	7-303	Sleeve, 3/32 ID x 1/2 In. Lg Insulating	
155753	7-303	Sleeve, 1/8 ID x 1/2 In. Lg Insulating	
155755	7-298,-303	Sleeve, 11/64 ID x 5/8 In. Lg Insulating	
157307	7-298	Spacer	
157308	7-298	Bracket	
157309	7-298	Plate, Nut	
157310	7-298	Switch, Sensitive	
157998	7-303	Jumper, 12 In. Lg Black	
158272	7-294	Plate, Right Mounting	
158278	7-294	Container	
158279	7-294	Plate, 1-5/16 Blank	
158291	7-300	Cover, Relay	
159320	7-302	Cover, Relay	
159321	7-302	Bracket, Relay	
159322	7-302	Plate, Relay	
159323	7-298	Resistor, 1500 Ohm	
159541	7-303	Connector, 16-Pt Plug	
159611	7-294	Bell	
159936	7-300	Plate, Left Mounting	
159939	7-303	Cable Assembly	

Table 7-12. Auxiliary Typing Reperforator Electrical Service Unit (LESU) - Continued

Part Number	Figure Number(s)	Description	Notes
160229	7-296	Plate, Mounting	
160847	7-298	Stud	
162357	7-296	Capacitor, 500 Mfd	
162358	7-296	Diode	
162359	7-296	Transformer, Power	
162360	7-296	Fuse, 0.8 Amp	
162361	7-296	Rectifier Assembly, 500 mA	
162835	7-303	Cable Assembly	
164641	7-303	Jumper, 18 In. Black	
171541	7-299	Diode	
172692	7-303	Cable Assembly	
174001	7-301	Connector, 3-Pt Receptacle	
176447	7-303	Cable	
176448	7-298	Control Assembly, Relay Motor	
176495	7-296	Transformer, Power	
176673	7-303	Suppressor, Spark	
176692	7-302	Relay	
176693	7-302	Cable w/Terminal	
176694	7-302	Control Assembly, Motor	
177010	7-299	Driver Assembly, Selector Magnet	
178831	7-294	Connector	
178832	7-294	Plate, Adapter	
178840	7-299	Capacitor, 400 Mfd	
7-310			

Table 7-12. Auxiliary Typing Reperforator Electrical Service Unit (LESU) - Continued

Part Number	Figure Number(s)	Description	Notes
178841	7-299	Transformer	
178843	7-299	Plate, Mounting	
178853	7-294	Cover, Relay	
178854	7-294	Bracket, Relay	
178855	7-294	Plate, Left Mounting	
178856	7-294	Relay	
178859	7-299	Card, Circuit	
178868	7-299	Resistor, 700 Ohm	
178872	7-296	Sleeve, 1/16 ID x 1-1/4 In. Lg Insulating	
178886	7-299	Cable w/Terminals	
178887	7-299	Cable	
178888	7-299	Clip	
179425	7-303	Cable Assembly	
179426	7-301	Plate Assembly	
179427	7-301	Plate, Cover	
179490	7-298	Cable w/Terminals	
195177	7-299	Washer, Insulating	

Table 7-13. Electrical Service Assembly (ESA)

Part Number	Figure Number(s)	Description	Notes
1272	7-306	Screw, 6-40 x 11/16 Fil	
2191	7-305 thru -307	Lockwasher	
2669	7-306	Lockwasher	
3438	7-306	Washer, Flat	
3598	7-305 thru -307	Nut, 6-40 Hex	
3599	7-308	Nut, 4-40 Hex	
3650	7-309	Washer, Flat	
7001	7-305 thru -307	Washer, Flat	
7002	7-305 thru -307	Washer, Flat	
7096	7-309	Bushing, Insulating	
73135	7-305 thru -307	Lockwasher	
92260	7-306	Lockwasher	
92527	7-305,-307	Lockwasher	
104807	7-309	Washer, Flat	
107116	7-305 thru -307	Lockwasher	
110743	7-305 thru -309	Lockwasher	
111017	7-305 thru -307	Screw, 6-40 x 5/16 Fil	
111284	7-306	Block, Terminal	
116783	7-305 thru -307	Holder, Fuse	
118146	7-309 thru -311	Resistor, 4700 Ohm	
118147	7-311	Resistor, 6800 Ohm	
118154	7-310	Resistor, 47000 Ohm	
118156	7-313	Resistor, 56000 Ohm	
118166	7-313	Resistor, 560000 Ohm	
118177	7-310,-313	Resistor, 22000 Ohm	
7-312			

Table 7-13. Electrical Service Assembly (ESA) - Continued

Part Number	Figure Number(s)	Description	Notes
118178	7-311	Resistor, 220K Ohm	
118180	7-312	Resistor, 10000 Ohm	
118659	7-305 thru -307	Switch, Toggle	
118720	7-309 thru -311	Resistor, 100K Ohm	
120175	7-305 thru -307	Plate, ON-OFF	
120424	7-310,-312	Resistor, 4300 Ohm	
121243	7-305,-307	Clamp, 3/16 In. ID Cable	
121244	7-306	Clamp, 1/4 In. ID Cable	
125011	7-305 thru -308	Washer, Flat	
126250	7-305,-307	Screw, 8-32 x 1/4 Fil	
126255	7-304	Bumper, Rubber	
129850	7-309,-310	Resistor, 680 Ohm	
129854	7-309 thru -311	Resistor, 10000 Ohm	
131807	7-308	Fuse, 0.5 Amp	
135563	7-306	Jumper, 2-3/4 In. Green	
137438	7-311,-313	Resistor, 100 Ohm	
137441	7-313	Resistor, 1200 Ohm	
137442	7-309,-310	Resistor, 1500 Ohm	
137604	7-309,-310	Resistor, 620 Ohm	
139143	7-309	Resistor, 43000 Ohm	
144495	7-309 thru -312	Pad, Transistor Mounting	
144835	7-309	Bushing, Spring	
145781	7-304,-305,-307	Grommet	
145822	7-304 thru -307	Stud, Oval Head	
150040	7-306,-307	Screw, 6-40 x 5/8 Fil	

Table 7-13. Electrical Service Assembly (ESA) - Continued

Part Number	Figure Number(s)	Description	Notes
150089	7-308	Screw, 4-40 x 1/2 Fil	
151335	7-305 thru -607	Nut, 6-40 Hex	
151416	7-305,-306,-307	Nut, 6-40 Hex	
151629	7-306,-307	Nut, 6-40 Lug	
151630	7-305 thru -307	Screw, 6-40 x 1/4 Hex	
151631	7-306	Screw, 6-40 x 5/16 Hex	
151632	7-305 thru -307	Screw, 6-40 x 3/8 Hex	
151637	7-305 thru -308	Screw, 4-40 x 1/4 Fil	
151659	7-305,-306,-307	Screw, 6-40 x 1/2 Fil	
151685	7-309	Screw, 4-40 x 5/16 Fil	
151693	7-309	Screw, 6-40 x 9/16 Fil	
151722	7-306,-307	Screw, 6-40 x 3/16 Hex	
151723	7-305 thru -307	Screw, 10-32 x 3/8 Hex	
151819	7-306,-307	Jumper, 3 In. Black	
151880	7-309	Nut, 4-40 Hex	
152035	7-305 thru -307	Plug	
152761	7-305 thru -307	Stud	
152888	7-309	Screw, 4-40 x 6/16 Hex	
155751	7-306	Sleeve, 1/8 ID x 1 In. Lg Insulating	
155752	7-307	Sleeve, 5/64 ID x 1/2 In. Lg Insulating	
155753	7-305 thru -307	Sleeve, 1/8 In. ID x 1/2 In. Lg Insulating	
156777	7-307	Jumper, 2 In. Black	
157230	7-306	Jumper, 6 In. Black	

Table 7-13. Electrical Service Assembly (ESA) - Continued

Part Number	Figure Number(s)	Description	Notes
157231	7-306	Jumper, 8 In. Black	
158250	7-305 thru -307	Block, Terminal	
158252	7-305 thru -307	Insulator, Terminal Block	
162228	7-306	Insulator, Terminal Block	
162360	7-305 thru -307	Fuse, SL-BL, 0.8 Amp	
164872	7-306	Stud	
165072	7-313	Resistor, 9100 Ohm	
171533	7-308	Resistor, 4 Ohm	
171585	7-308	Capacitor, 0.22 Mfd	
171587	7-309	Capacitor, 0.25 Mfd	
171829	7-309,-310	Capacitor, 0.15 Mfd	
171831	7-308	Capacitor, 10 Mfd	
172726	7-305,-306,-307	Resistor, 250 Ohm	
177113	7-308,-309	Insulator	
178844	7-308 thru -310	Varistor, 100 Amp	
178860	7-308 thru -310	Capacitor, 0.022 Mfd	
178863	7-312	Resistor, 3300 Ohm	
178864	7-310	Resistor, 3900 Ohm	
181266	7-308	Bushing, Insulating	
181618	7-311	Capacitor, 0.01 Mfd	
181619	7-311	Diode, 1N914	
181667	7-309,-310	Diode, 1N750A	
181675	7-309	Transistor, Power	
181999	7-306,-307	Insulator	
182180	7-308	Resistor, 200 Ohm	

Table 7-13. Electrical Service Assembly (ESA) - Continued

Part Number	Figure Number(s)	Description	Notes
182284	7-306,-307	Insulator, 0.015 In. Thk	
182520	7-308	Rectifier, 1N4383	
182523	7-305 thru -307	Clamp, 1-3/8 In. ID Mounting	
182751	7-309	Resistor, 3600 Ohm	
185688	7-307	Plate, Identification	
193329	7-312	Resistor, 300 Ohm	
195245	7-306,-307	Sleeve, 1/2 In. ID x 1-1/2 In. Lg Insulating	
197464	7-313	Diode, 1N914	
198937	7-308	Resistor, 2700 Ohm	
300116	7-310	Cover, Insulating	
302865	7-312	Transistor	
303142	7-311	Circuit Card Assembly, LLK	
303160	7-312	Circuit Card Assembly	
303164	7-313	Circuit Card Assembly	
305298	7-308	Resistor, 3300 Ohm	
309868	7-310	Resistor, 1300 Ohm	
310926	7-313	Capacitor, 0.15 Mfd	
311664	7-308	Resistor, 2500 Ohm	
312284	7-308	Capacitor, 1.5 Mfd	
312385	7-308,-313	Capacitor, 0.1 Mfd	
315930	7-311,-312	Transistor, 2N3568	
315931	7-311	Transistor, 2N3638	
315955	7-312	Resistor, 2200 Ohm	
315957	7-312	Resistor, 3300 Ohm	

7-316

Table 7-13. Electrical Service Assembly (ESA) - Continued

Part Number	Figure Number(s)	Description	Notes
315976	7-313	Capacitor, 4700 Pf	
318835	7-308	Transistor	
320038	7-308	Jack, Red Test	
320039	7-308	Jack, Black Test	
320040	7-308	Jack, Orange Test	
320041	7-308	Jack, Green Test	
320042	7-308	Jack, Slate Test	
320045	7-309	Circuit Card Assembly	
320047	7-311	Capacitor, 2 Mfd	
320048	7-311	Capacitor, 0.5 Mfd	
320049	7-311	Capacitor, 0.15 Mfd	
320050	7-306	Plate, Mounting	
320051	7-311	Circuit Card	
320056	7-305,-307	Bracket	
320408	7-305	Terminal, Spade Type	
320410	7-305 thru -307	Terminal, Spade Type	
320418	7-306,-307	Terminal, Ring Type	
320420	7-307	Terminal, Ring Type	
321128	7-305,-307	Transformer, Power	
321129	7-305 thru -307	Capacitor, 750 Mfd	
321130	7-308	Circuit Card Assembly	
321133	7-306	Inductor	
321145	7-308	Transistor, 2N2270	
321148	7-309	Sink, Heat	
321149	7-309	Diode	

Table 7-13. Electrical Service Assembly (ESA) - Continued

Part Number	Figure Number(s)	Description	Notes
321151	7-309	Resistor, 110 Ohm	
321153	7-309	Spacer	
321154	7-309,-310,-312	Diode, 1N457A	
321155	7-309	Resistor, 2000 Ohm	
321156	7-309,-310,-312	Diode, 1N482A	
321157	7-309 thru -312	Capacitor, 500 Pf	
321158	7-309	Capacitor, 0.1 Mfd	
321159	7-308,-309	Choke	
321160	7-309	Potentiometer	
321161	7-309,-310,-312	Diode, 1N748A	
321164	7-309	Potentiometer	
321165	7-309,-310	Transistor, 2N3638A	
321166	7-309,-310	Transistor, 2N1893	
321167	7-309	Jumper, 2-7/8 In. Yellow	
321168	7-309	Jumper, 2-7/8 In. Blue	
321169	7-309	Jumper, 2-7/8 In. Orange	
321170	7-309	Jumper, 2-7/8 In. Red	
321171	7-309	Jumper, 3-3/4 In. Black	
321201	7-306	Screw, 1/4-20 x 1/2 Fil	
321204	7-311	Resistor, 13000 Ohm	
321207	7-306	Strip, Terminal	
321245	7-306	Cable Assembly	
321246	7-306	Cable Assembly	
321247	7-306	Cable Assembly	
321248	7-306	Cable Assembly	
7-318			

Table 1-13. Electrical Service Assembly (ESA) - Continued

Part Number	Figure Number(s)	Description	Notes
321249	7-306	Cable Assembly	
321250	7-306	Cable Assembly	
321258	7-309	Resistor, 20000 Ohm	
321259	7-309	Resistor, 15 Ohm	
321260	7-310	Capacitor, 1 Mfd	
321261	7-309,-310,-312	Transistor, 2N4036	
321263	7-309	Resistor, 13 Ohm	
321264	7-309,-312	Capacitor, 2.7 Mfd	
321286	7-308	Diode 1N4749A	
321288	7-308	Sink, Heat	
321290	7-308	Circuit Card Assembly, PS	
321292	7-309	Resistor, 1300 Ohm	
321296	7-306	Frame, Outer	
321297	7-306	Frame, Inner	
321299	7-309	Circuit Card	
321975	7-310	Resistor, 33 Ohm	
321986	7-304	Cover w/Bumpers	
321987	7-304	Cover w/Studs	
321991	7-309	Circuit Card Assembly, CMD	
321995	7-305,-307	Container, Outer	
321996	7-305,-307	Cover	
321997	7-305,-307	Bracket	
323147	7-312	Resistor, 36000 Ohm	
323148	7-312	Resistor, 18000 Ohm	
323486	7-306	Cover	

Table 7-13. Electrical Service Assembly (ESA) - Continued

Part Number	Figure Number(s)	Description	Notes
323495	7-305,-307	Bracket	
323501	7-305,-307	Bracket, Connector Mounting	
323652	7-305 thru -307	Relay, SP-ST Isolation	
323653	7-306,-307	Relay, Isolation	
323810	7-310	Circuit Card Assembly, SMD	
323811	7-306	Electrical Service Assembly	
323812	7-305	Electrical Service Assembly	
323815	7-306	Electrical Service Assembly	
323835	7-310	Circuit Card	
323841	7-310	Resistor, 300 Ohm	
323842	7-310	Resistor, 21 Ohm	
323843	7-310	Resistor, 590 Ohm	
323844	7-310,-312	Transistor, 2N3053	
323845	7-310,-312	Transistor, 40319	
323846	7-310	Pad, Transistor Mounting	
323847	7-310,-312	Sink, Heat	
323849	7-305 thru -307	Coil, 132 Ohm	
323934	7-313	Transistor, 2N3565	
323960	7-306	Spacer	
323961	7-306	Cover	
323962	7-305,-307	Cover	
323964	7-310	Potentiometer, 500K Ohm	
323968	7-305,-307	Cable Assembly	
7-320			

Table 7-13. Electrical Service Assembly (ESA) - Continued

Part Number	Figure Number(s)	Description	Notes
323969	7-305,-307	Cable Assembly	
323970	7-305,-307	Cable Assembly	
323971	7-305,-307	Cable Assembly	
324135	7-306	Cable	
324137	7-306	Cable	
324139	7-306	Cable	
324144	7-309 thru -311	Transistor, 2N4121	
324145	7-306	Cable, Relay	
324147	7-309 thru 311, -313	Pad, Transistor Mounting	
324698	7-305 thru -307	Nut, No. 10 Speed	
324699	7-306	Cable, Relay	
326270	7-305 thru -307	Connector, 15-Pt Circuit Card	
326351	7-305 thru -307	Transformer Assembly	
326352	7-305 thru -307	Cable Assembly	
326353	7-305 thru -307	Cable Assembly	
326365	7-306	Cable	
326369	7-307	Cable	
326374	7-306	Label	
326375	7-306	Label	
326376	7-306	Label	
326377	7-306	Label	
326378	7-306	Label	
326382	7-306	Label	
326390	7-306	Jumper, 9 In. Red	

Table 7-13. Electrical Service Assembly (ESA) - Continued

Part Number	Figure Number(s)	Description	Notes
326391	7-306	Jumper, 9-1/2 In. White	
326392	7-306	Jumper, 6-1/2 In. White	
326393	7-306	Jumper, 6-1/2 In. Orange	
326394	7-306	Jumper 4 In. Red	
326398	7-307	Cable	
326776	7-310	Capacitor, 0.47 Mfd	
326793	7-305	Cable Assembly	
327386	7-305,-307	Decalcomania	
327444	7-306	Capacitor, 2 Mfd	
327784	7-306	Decalcomania	
327785	7-305	Decalcomania	
327788	7-306	Decalcomania	
327793	7-312	Resistor, 18 Ohm	
327794	7-308	Diode, Zener (7.2V)	
328066	7-312	Card, Circuit	
328453	7-306	Decalcomania	
330526	7-306	Electrical Service Assembly	
330527	7-306	Decalcomania	
330593	7-312	Capacitor, 0.02 Mfd	
330642	7-313	Resistor, 1300K Ohm	
330643	7-312	Resistor, 56000 Ohm	
330644	7-313	Resistor, 390K Ohm	
330666	7-305 thru -307	Fastener, Wing Type	
330835	7-306	Electrical Service Assembly	

7-322

Table 7-13. Electrical Service Assembly (ESA) - Continued

Part Number	Figure Number(s)	Description	Notes
330836	7-307	Electrical Service Assembly	
330837	7-306	Cable w/Terminal	
330838	7-306	Decalcomania	
330840	7-307	Cable w/Terminal	
330841	7-307	Decalcomania	
330842	7-307	Decalcomania	
330843	7-307	Cable w/Terminal	
333522	7-306	Electrical Service Assembly	
333523	7-307	Electrical Service Assembly	
333524	7-306	Electrical Service Assembly	
333532	7-306	Cable w/Terminal	
333603	7-313	Card, Circuit	
334190	7-306	Electrical Service Assembly	
334551	7-306	Decalcomania	
334751	7-306	Decalcomania	

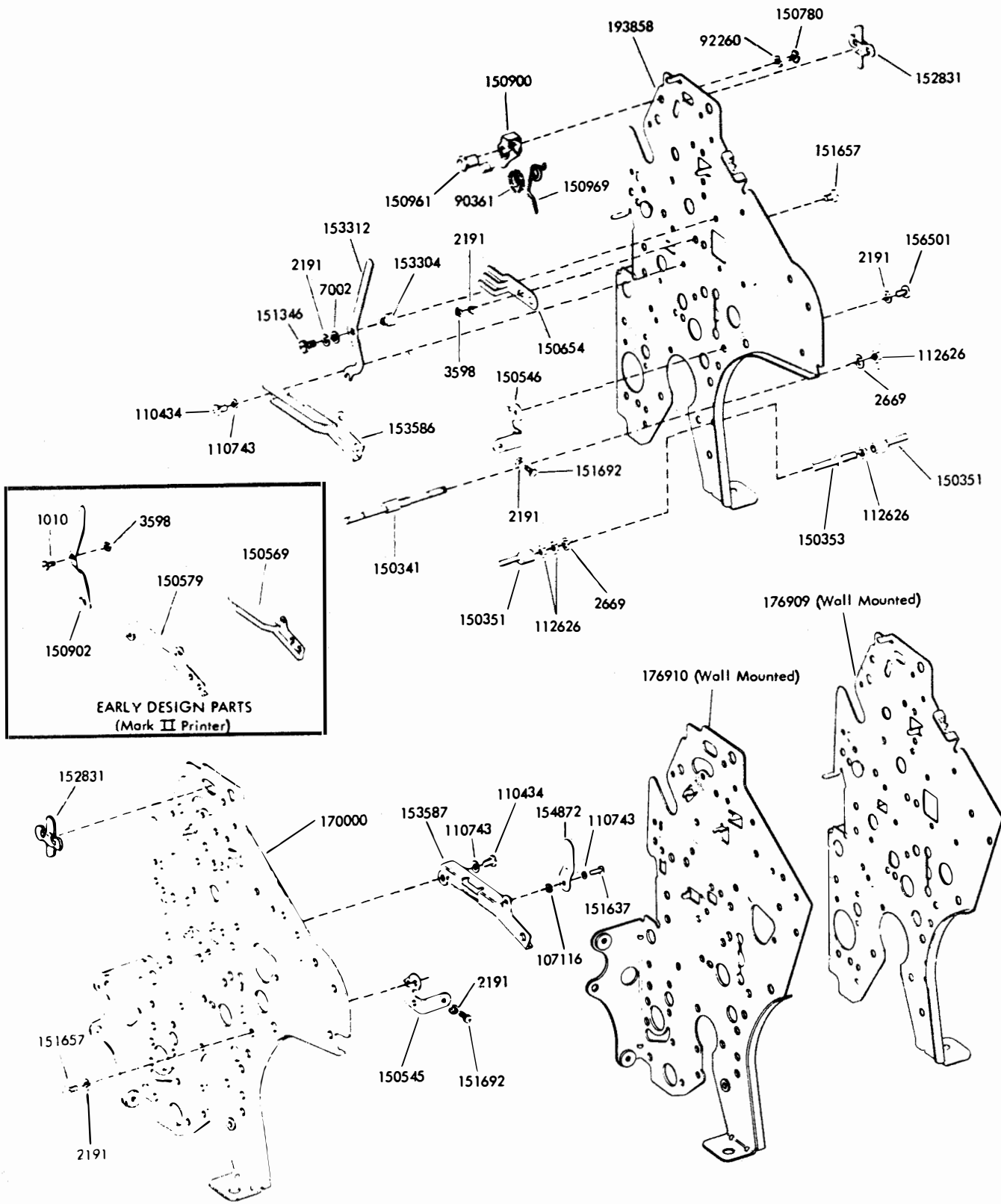
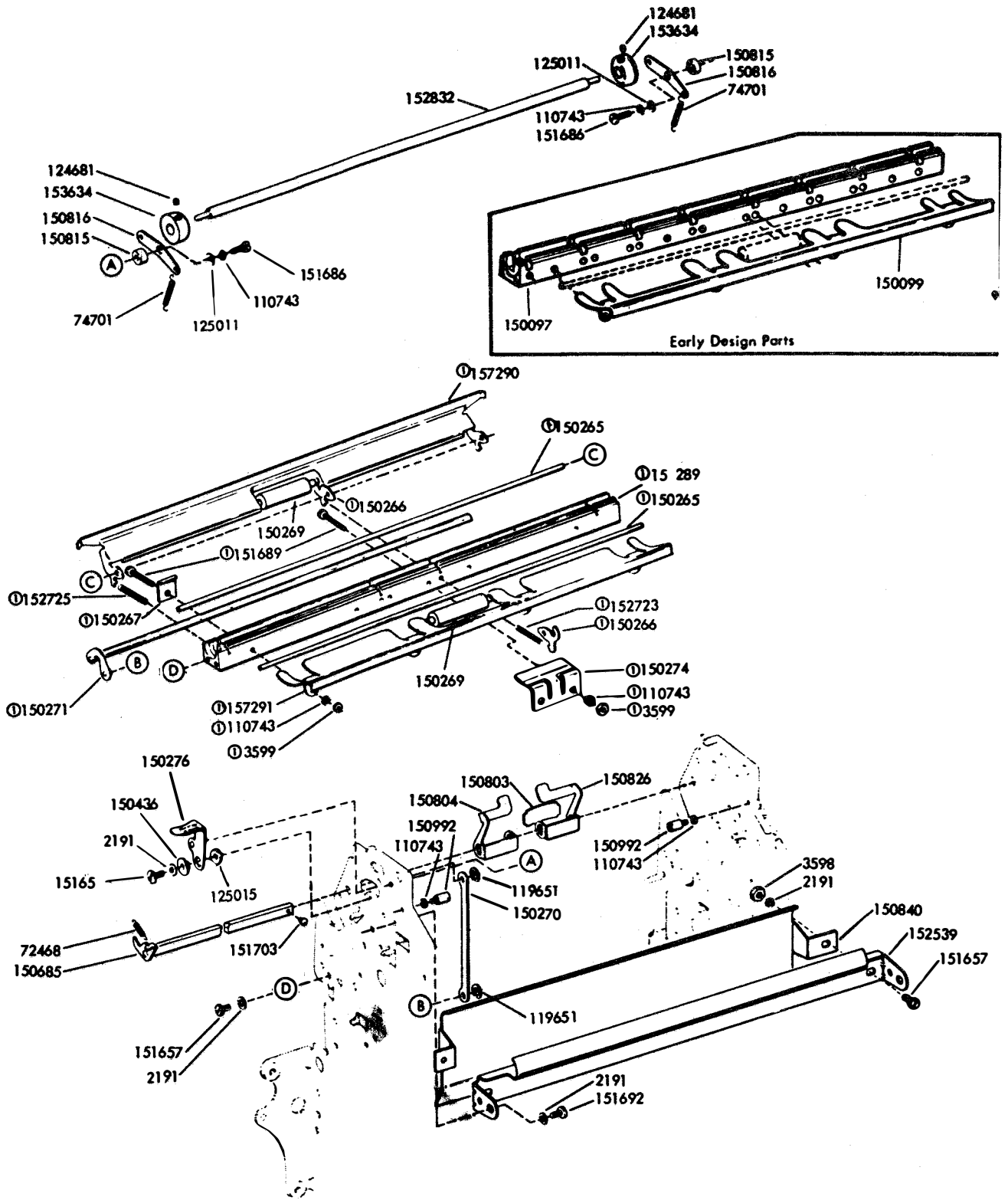


Figure 7-1. Left and Right Side Frame Mechanism



© 150096 Pressure Roller Assembly

Figure 7-2. Pressure Roller Mechanism

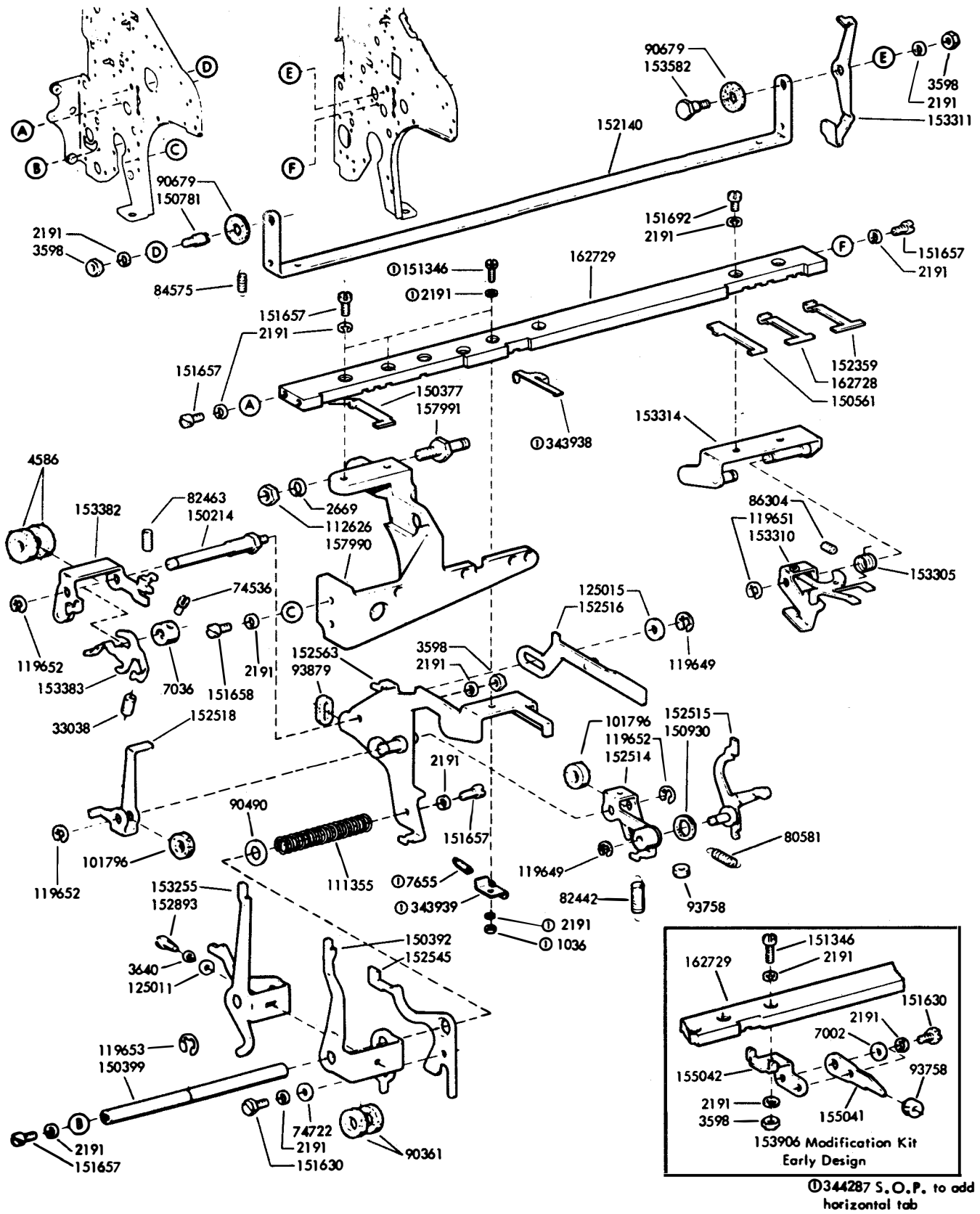


Figure 7-3. Space Suppression Mechanism

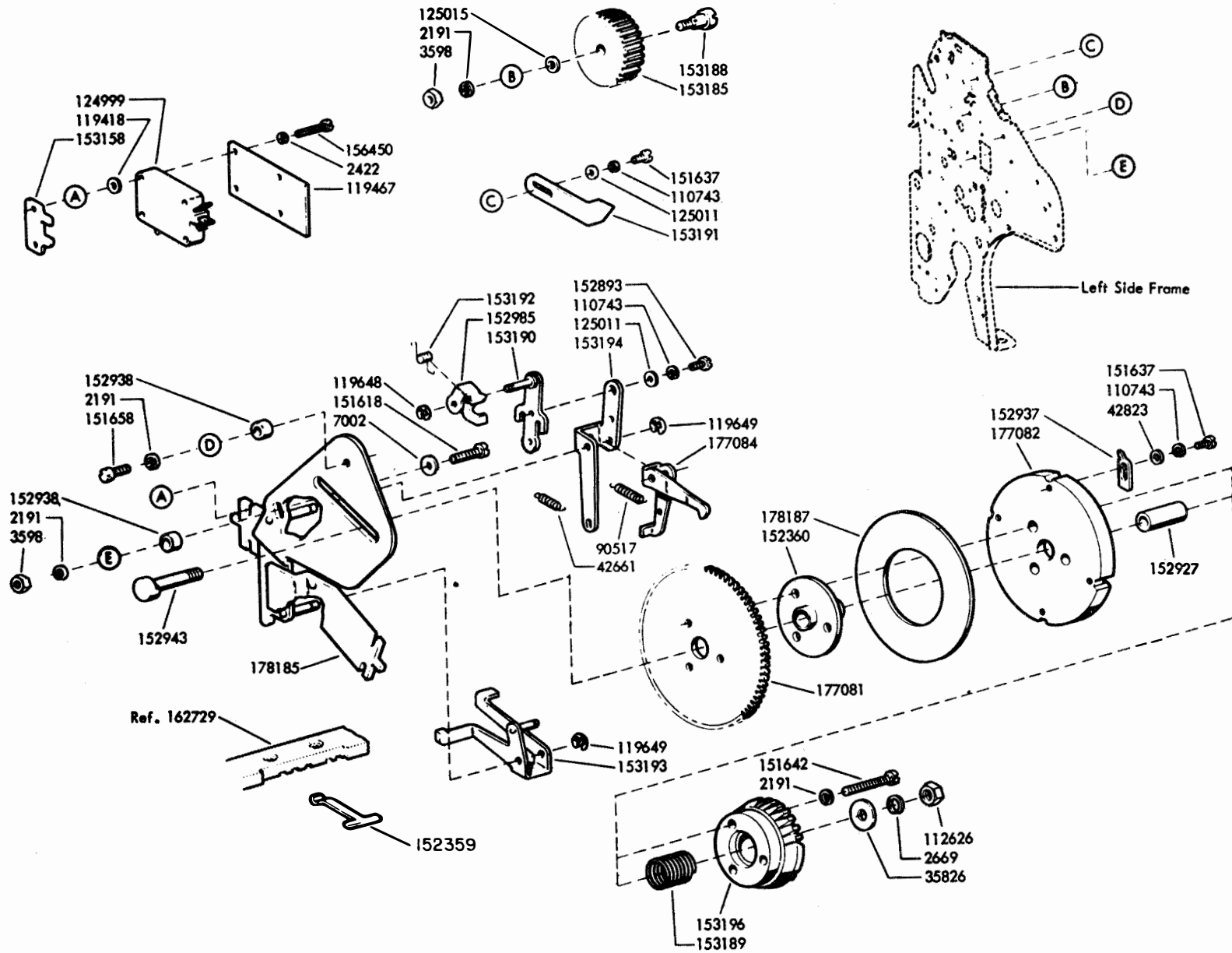


Figure 7-6. Page Feed-Out and Form Starter Mechanism

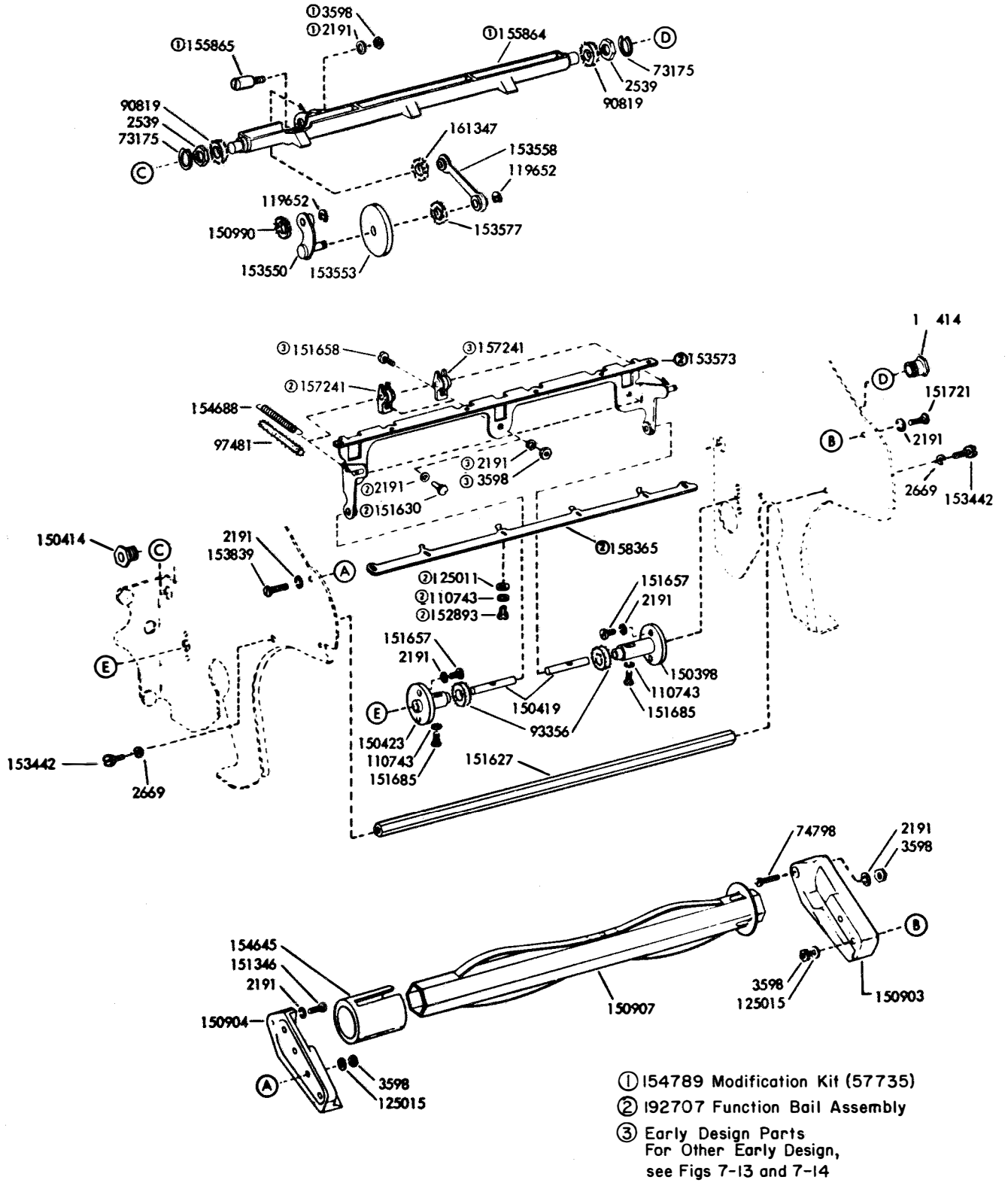
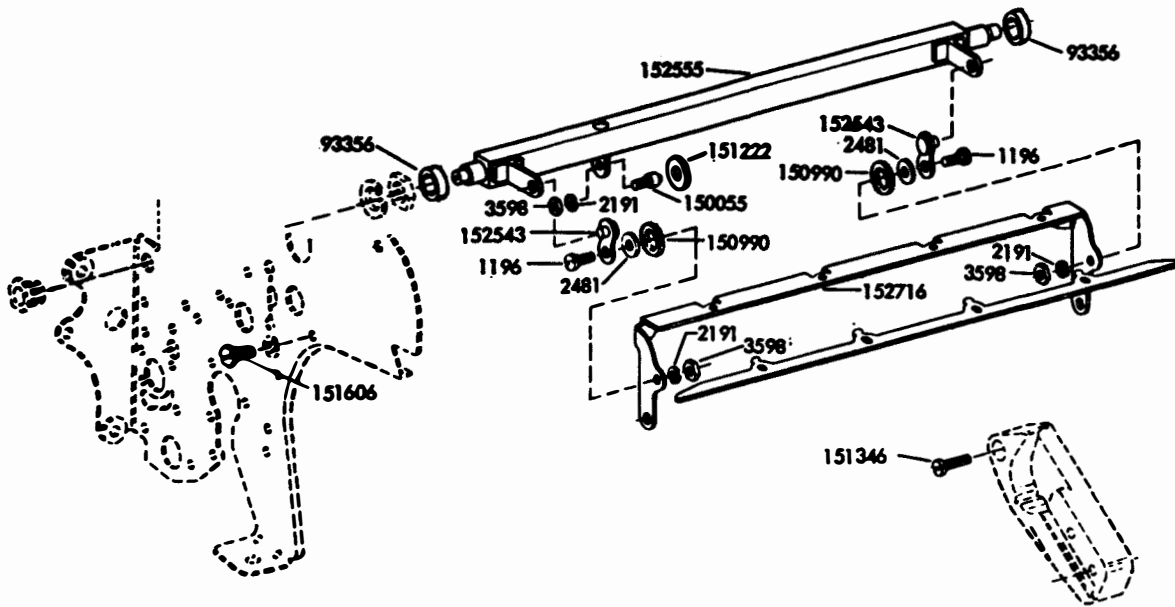
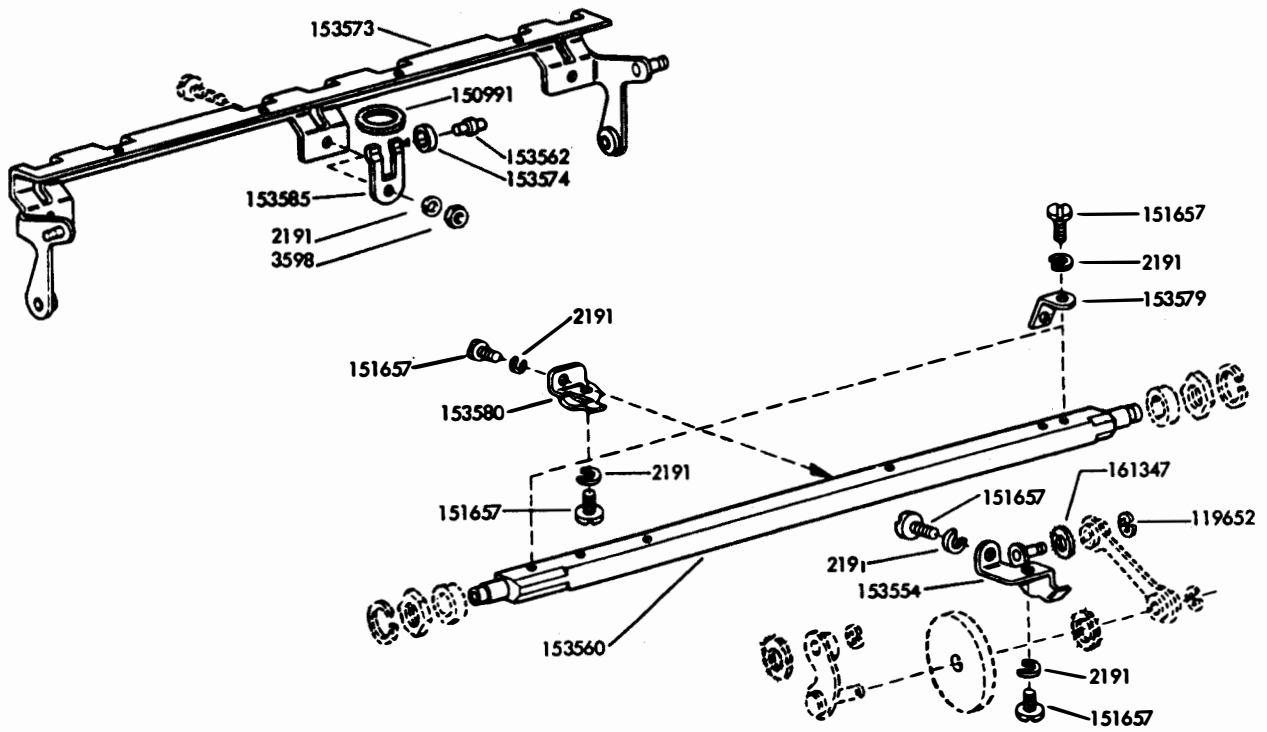


Figure 7-7. Paper Spindle and Reset Bail Mechanism



MARK II PRINTER

Figure 7-8. Paper Spindle and Reset Bail Mechanism, Early Design



See Fig. 7-7 for New Design

Figure 7-9. Reset Bail Mechanism, Early Design

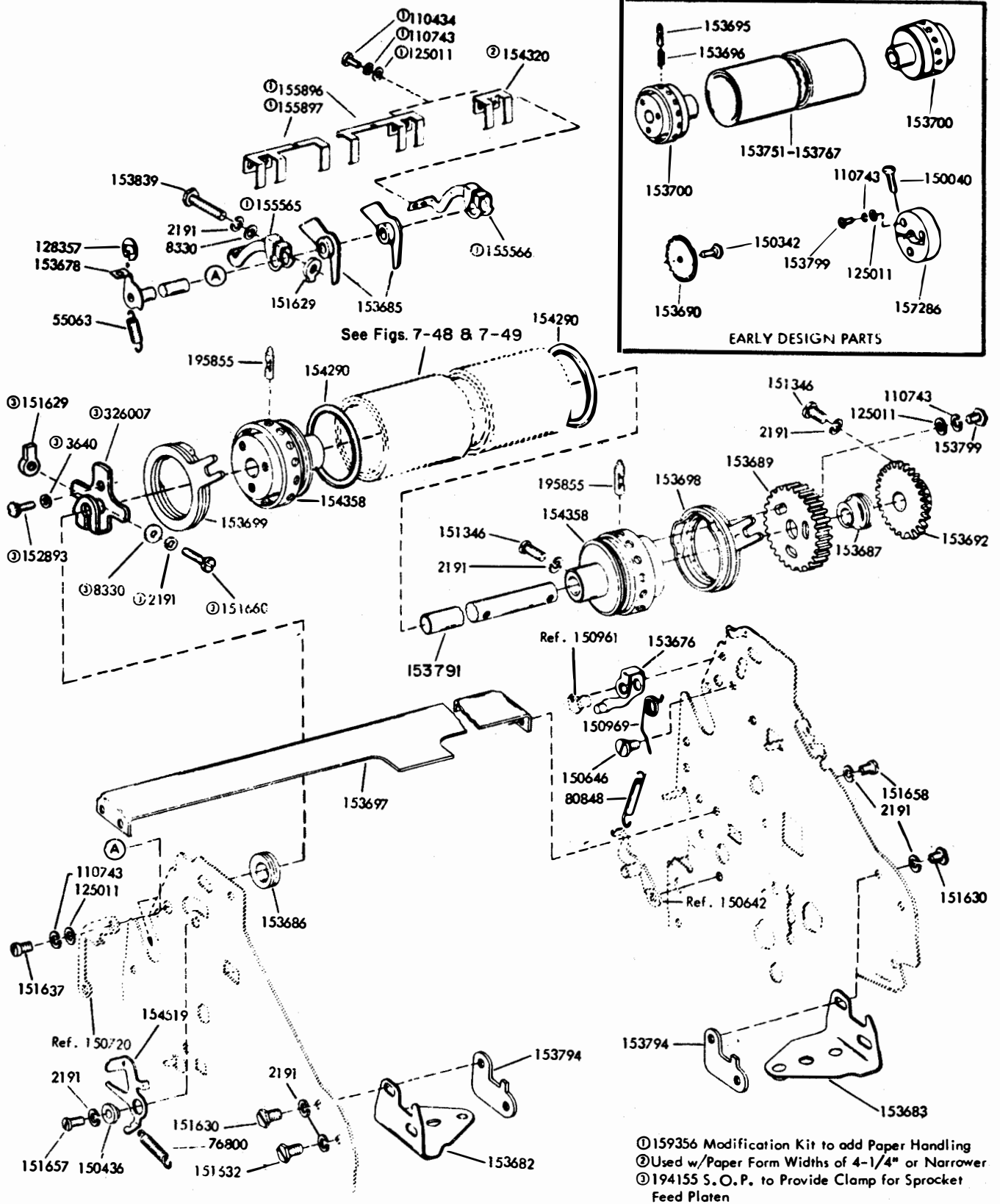


Figure 7-10. Sprocket Feed Mechanism

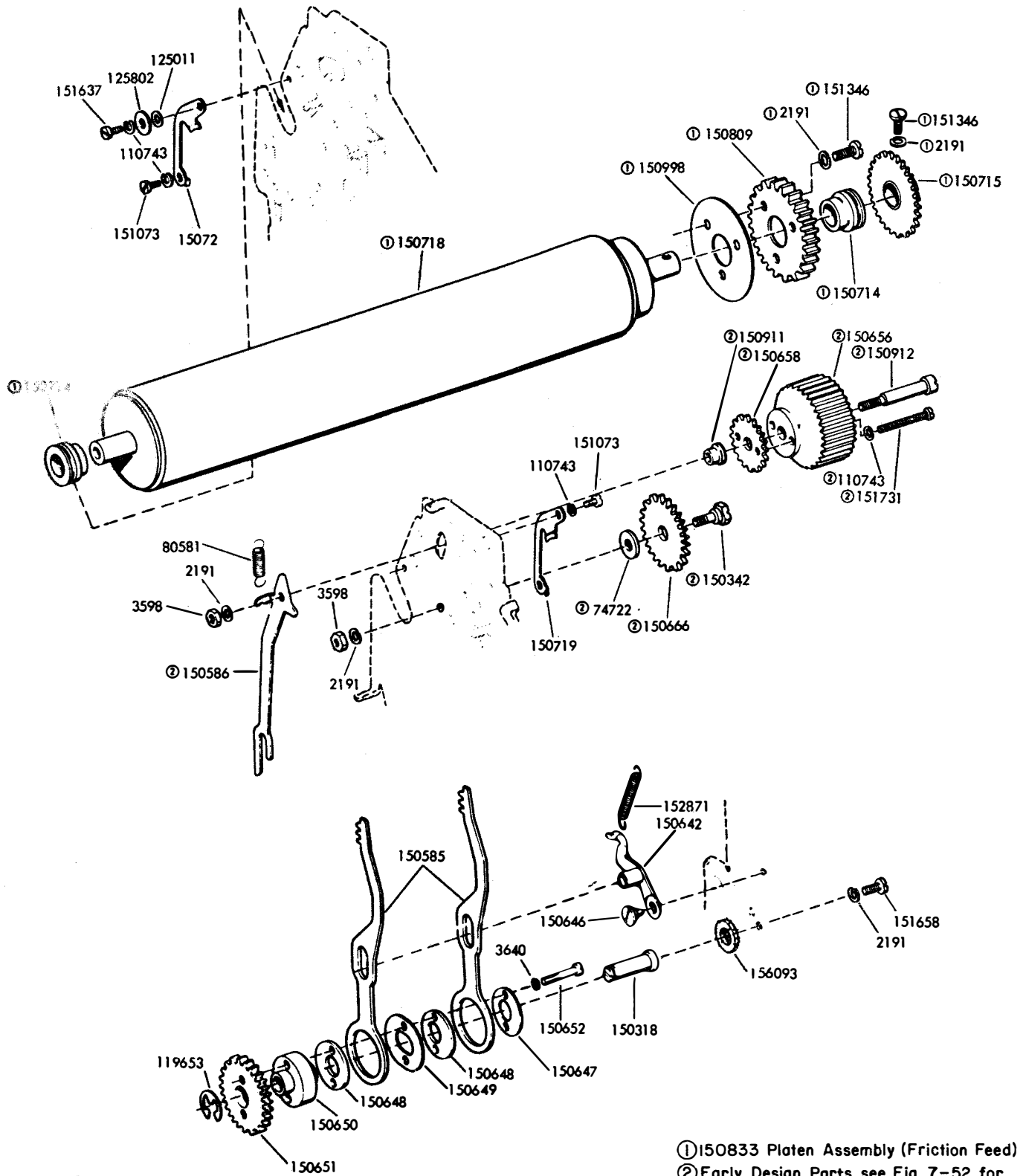
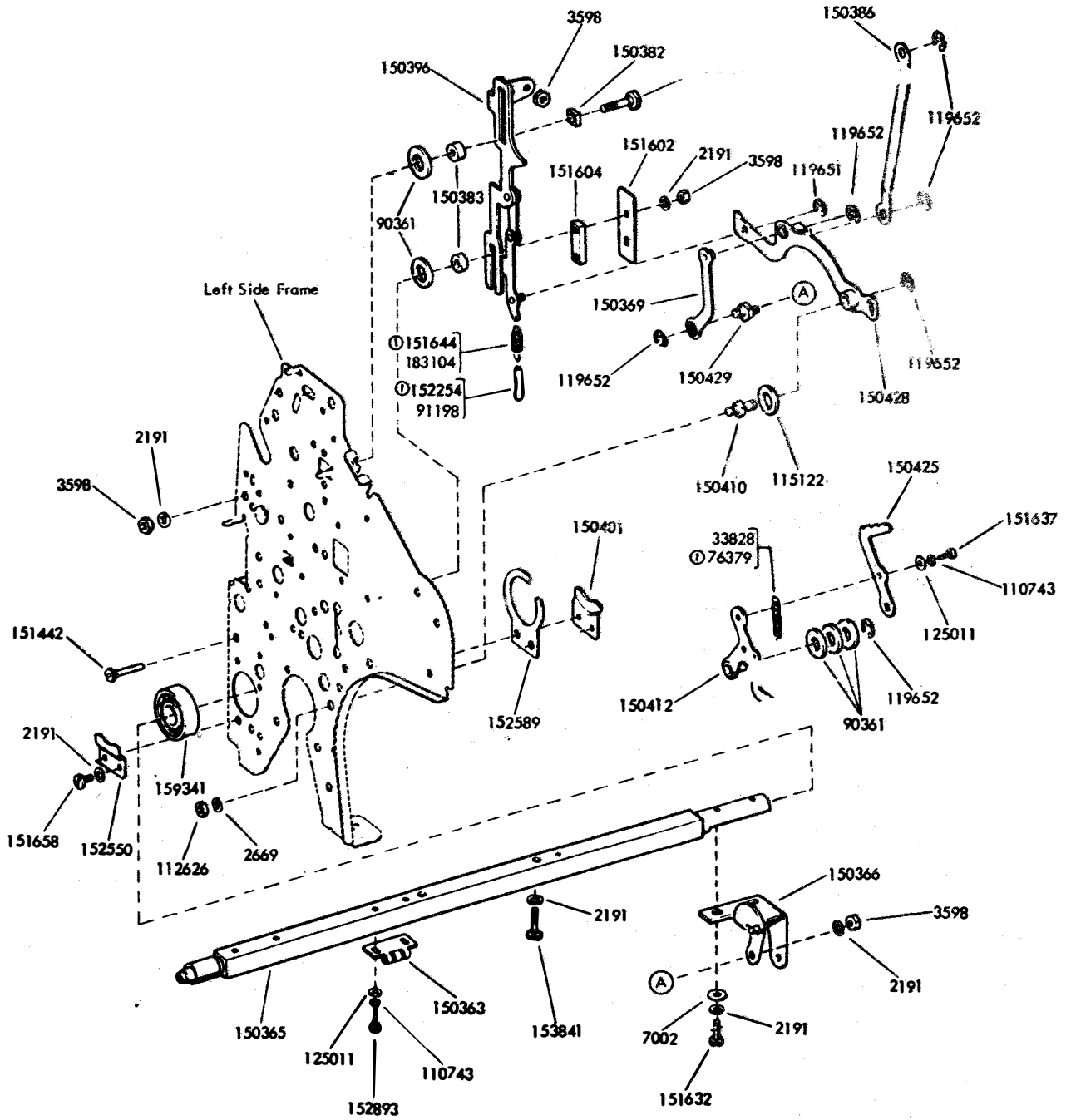
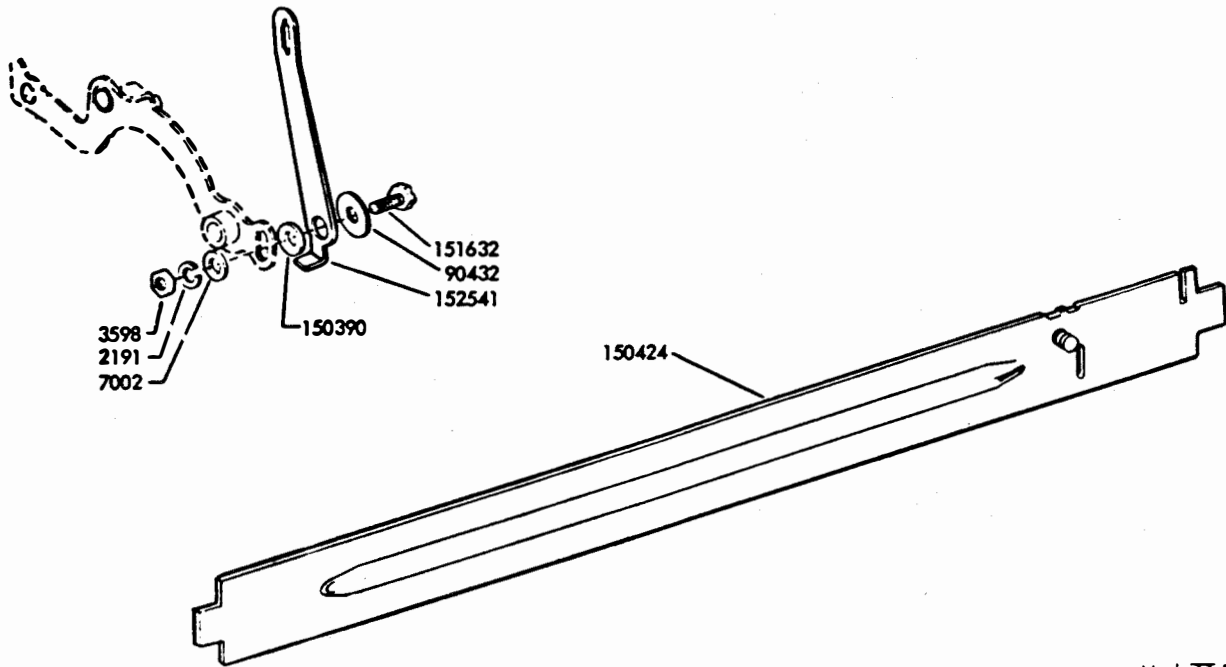


Figure 7-11. Line-Feed and Platen Mechanism



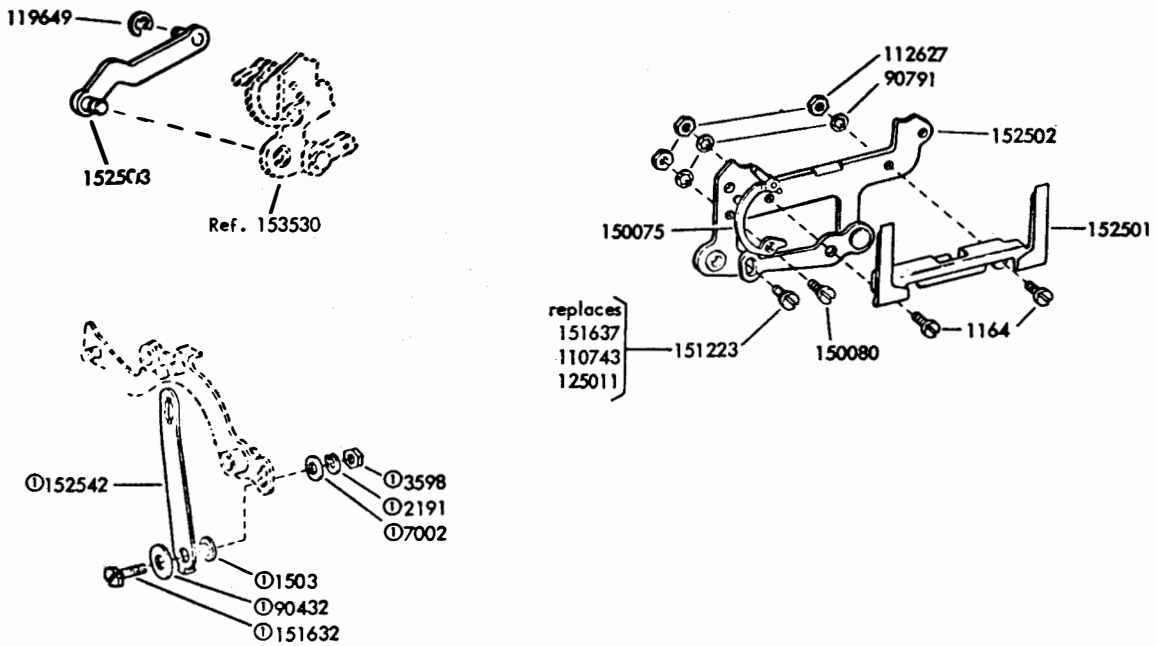
① Early Design Parts, for other Early Design Parts see Fig. 7-13

Figure 7-12. Left Side Linkage and Rocker Shaft Mechanism



Mark II Printer

Figure 7-13. Left Side Linkage and Stripper Blade Mechanism, Early Design



Mark II Printer

Figure 7-14. Right Side Linkage and Type Box Carriage Mechanism, Early Design

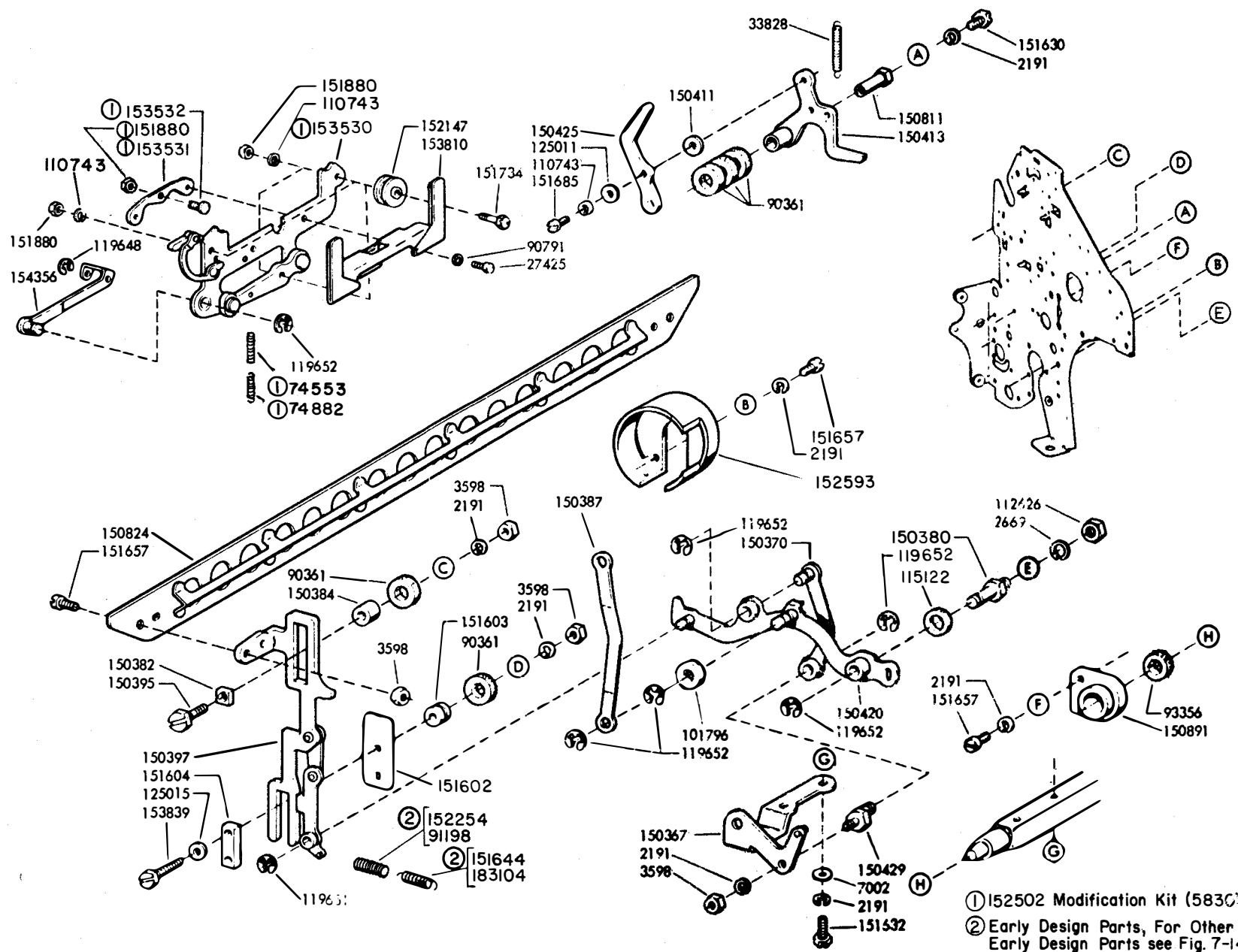


Figure 7-15. Right Side Linkage and Type Box Carriage Mechanism

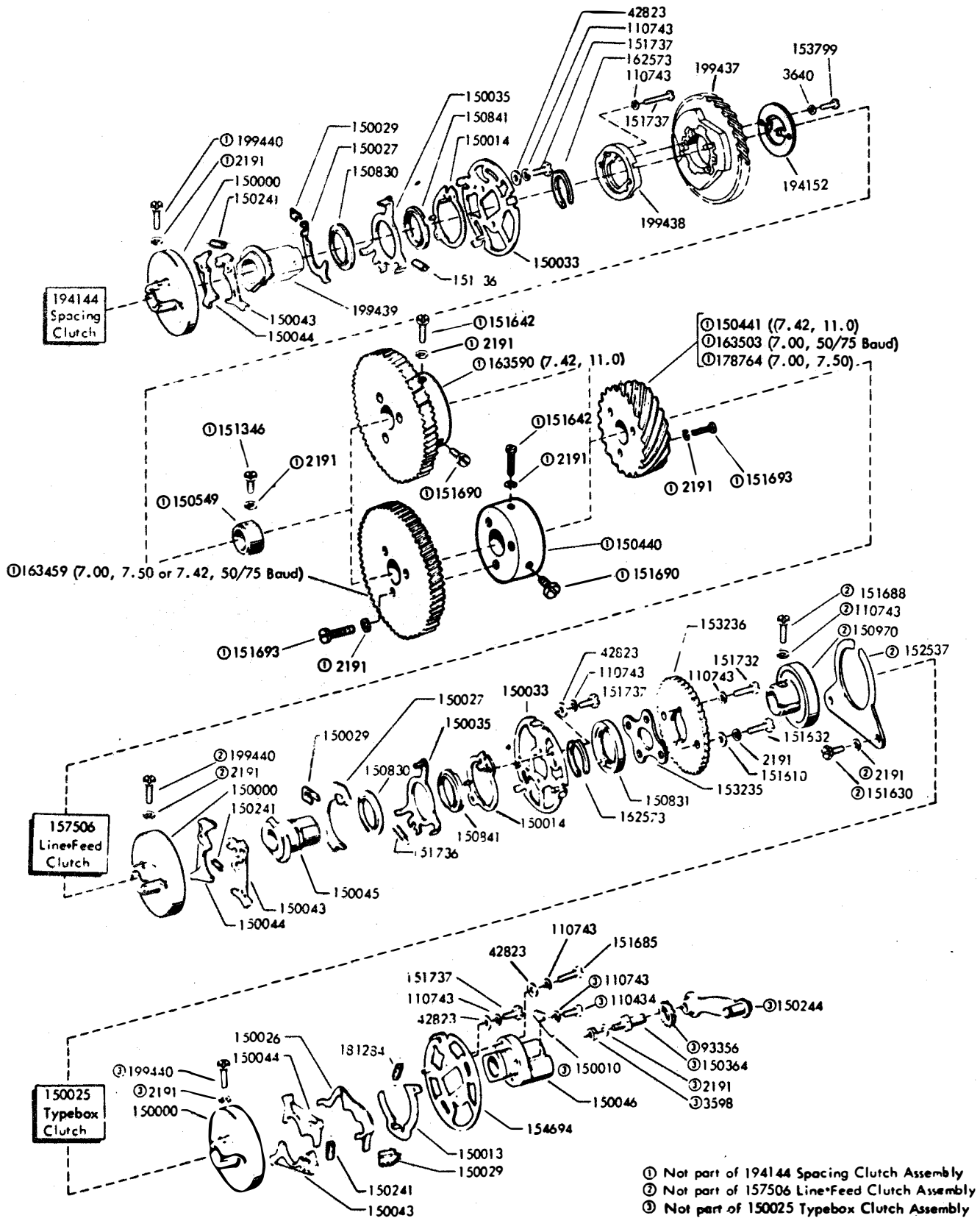


Figure 7-16. Main Shaft Mechanism (Sheet 1 of 2)

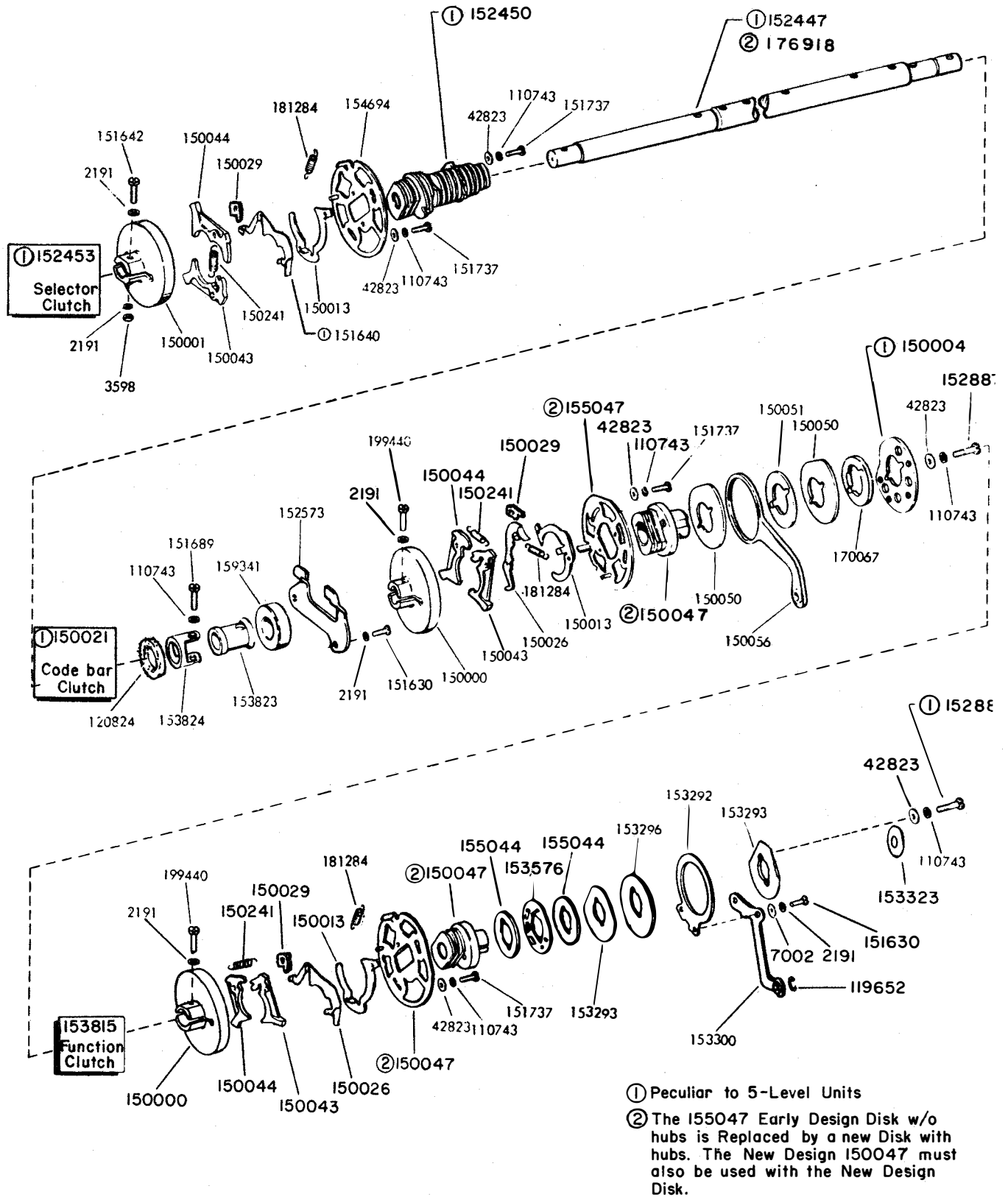


Figure 7-16. Main Shaft Mechanism (Sheet 2 of 2)

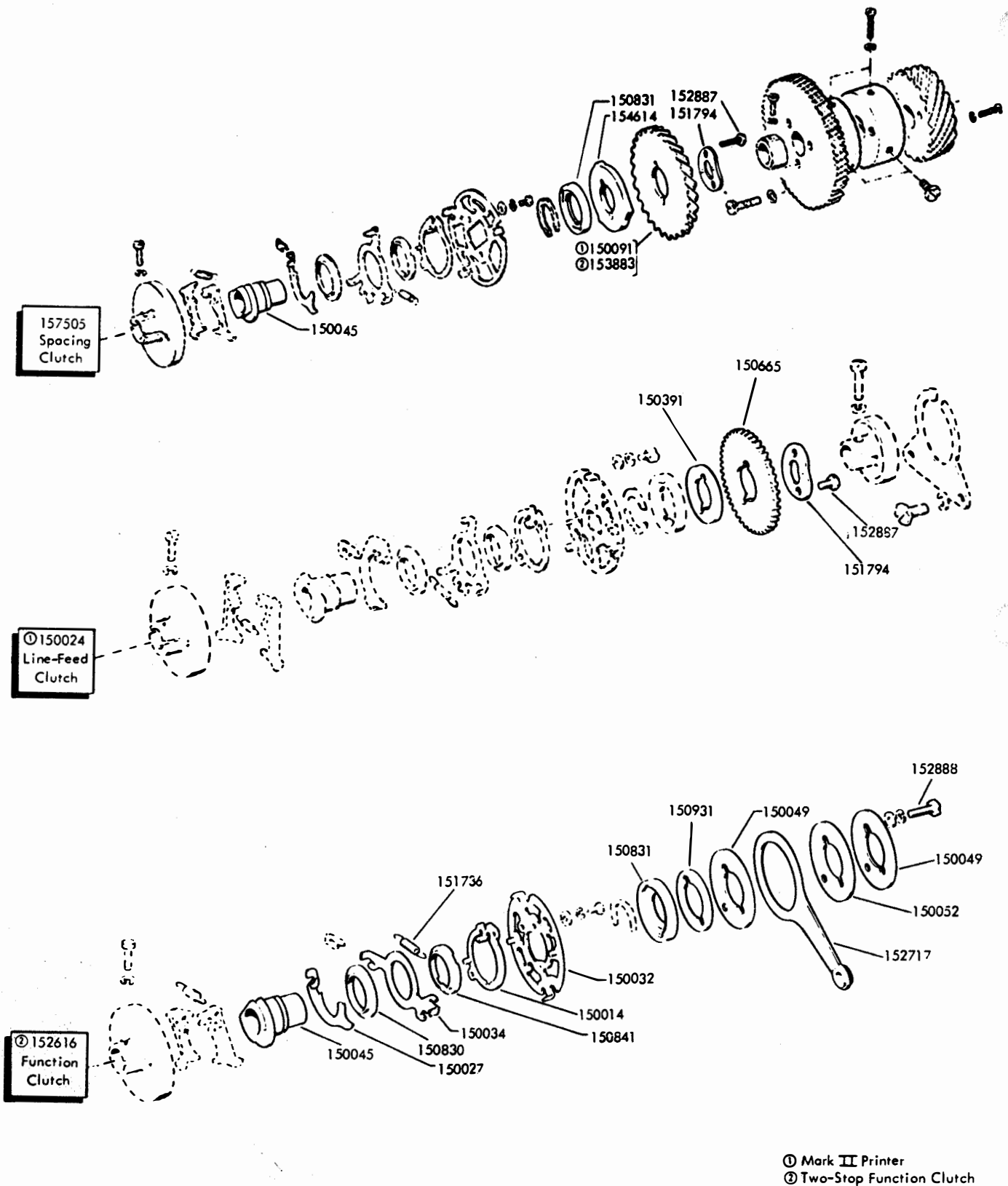
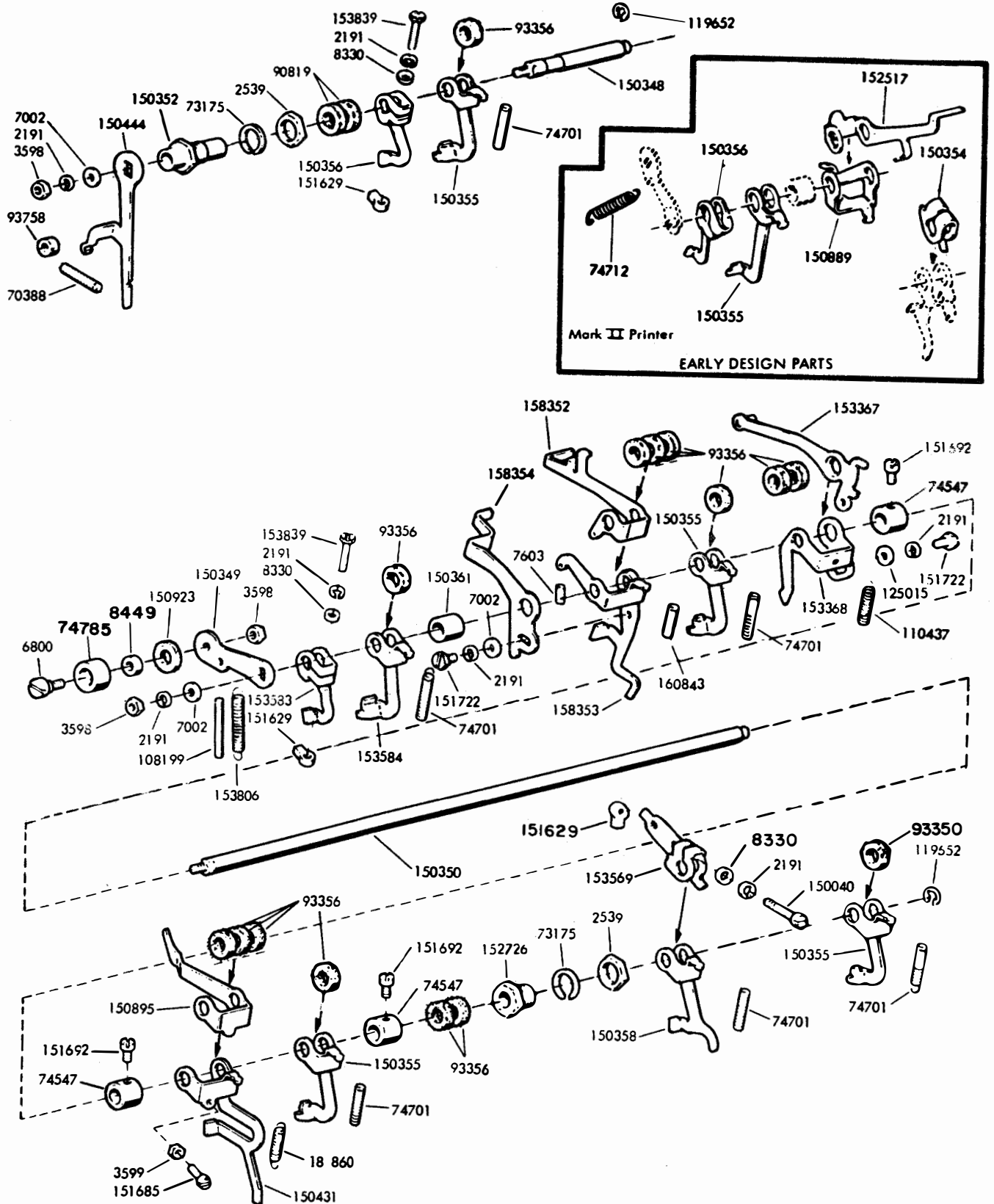


Figure 7-17. Spacing, Line-Feed and Function Clutches, Early Designs



Figures 7-18. Trip Shaft Mechanism

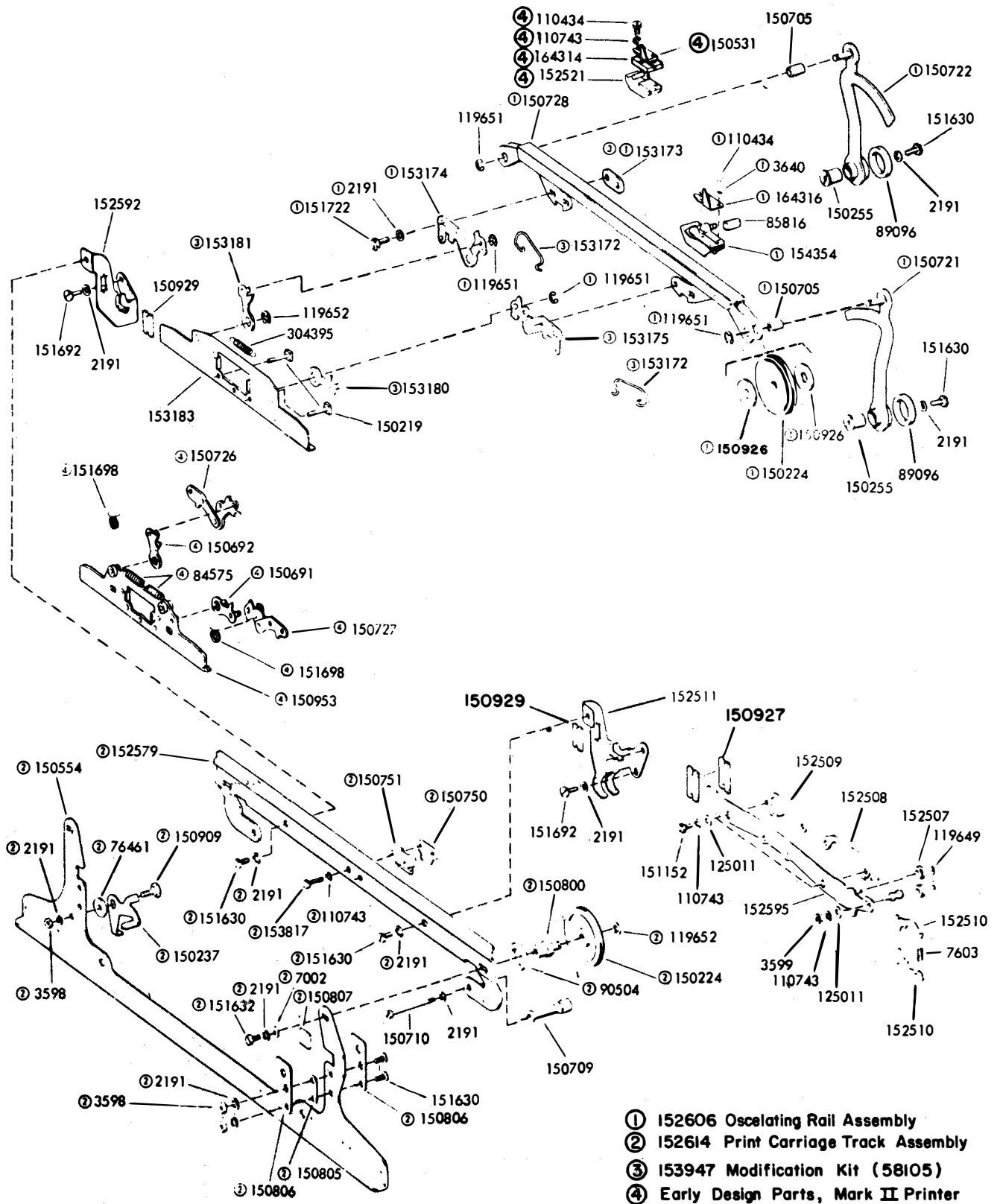


Figure 7-20. Front Plate Mechanism Typing Unit (Sheet 1 of 3)

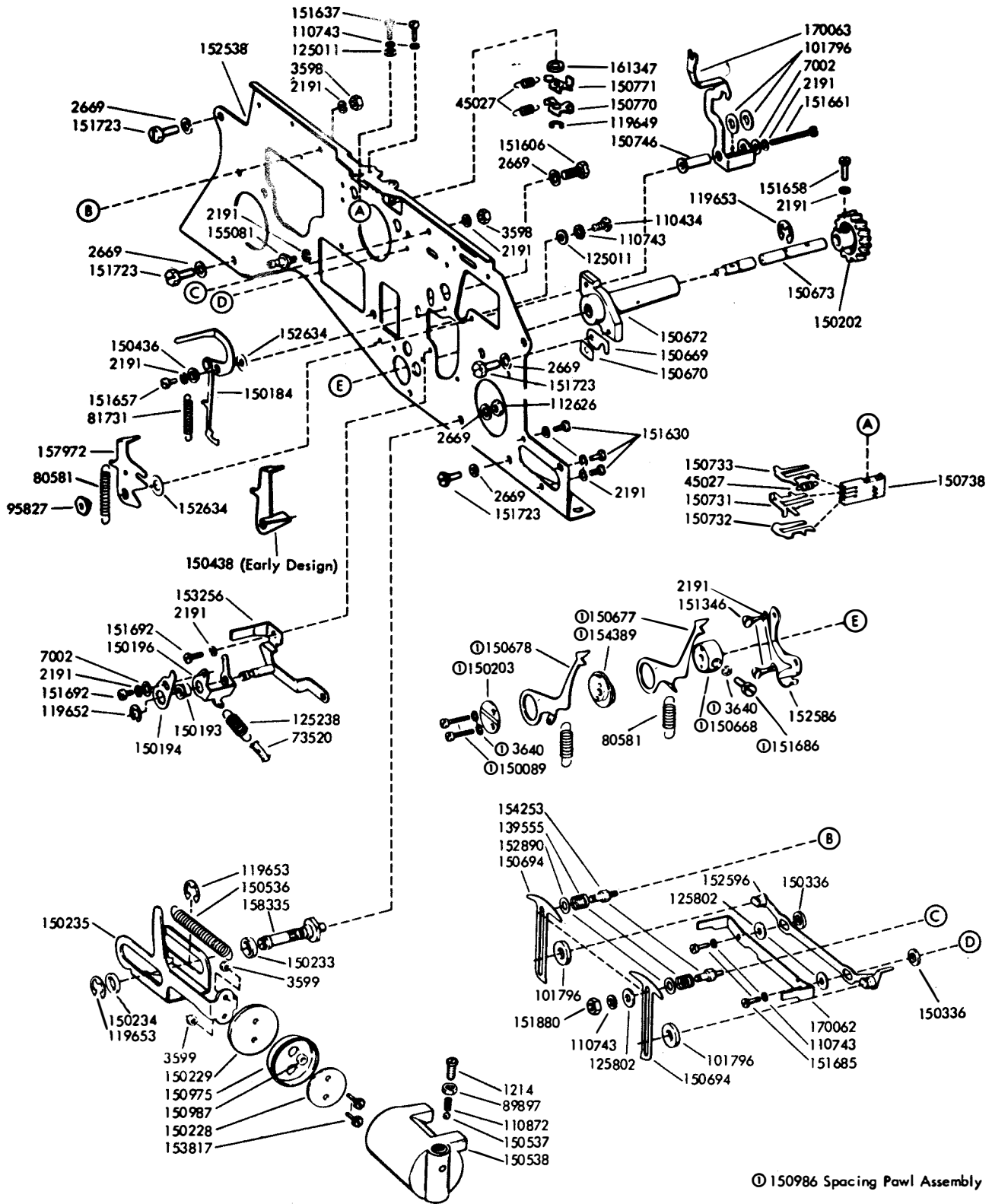


Figure 7-20. Front Plate Mechanism Typing Unit (Sheet 2 of 3)

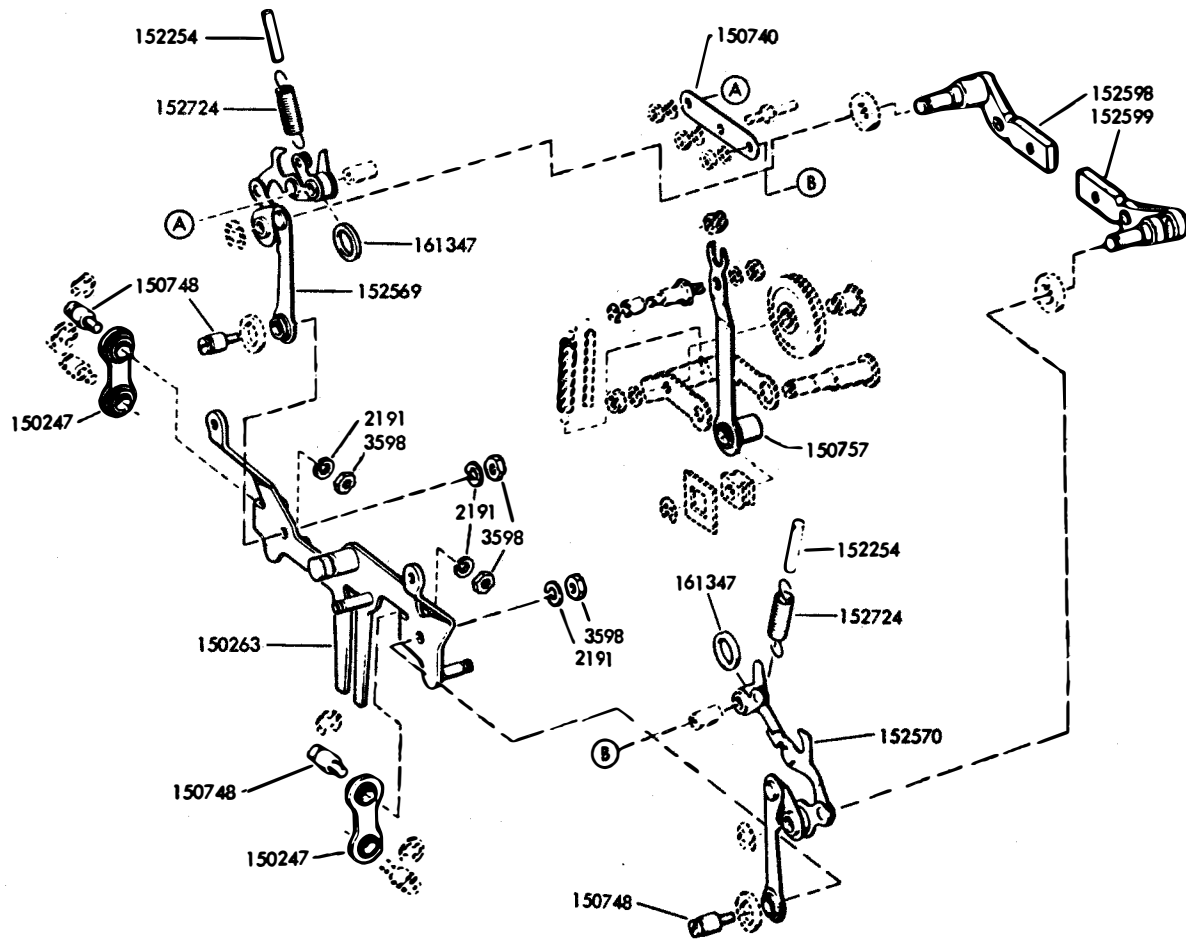


Figure 7-21. Front Plate Mechanism, Early Design Parts

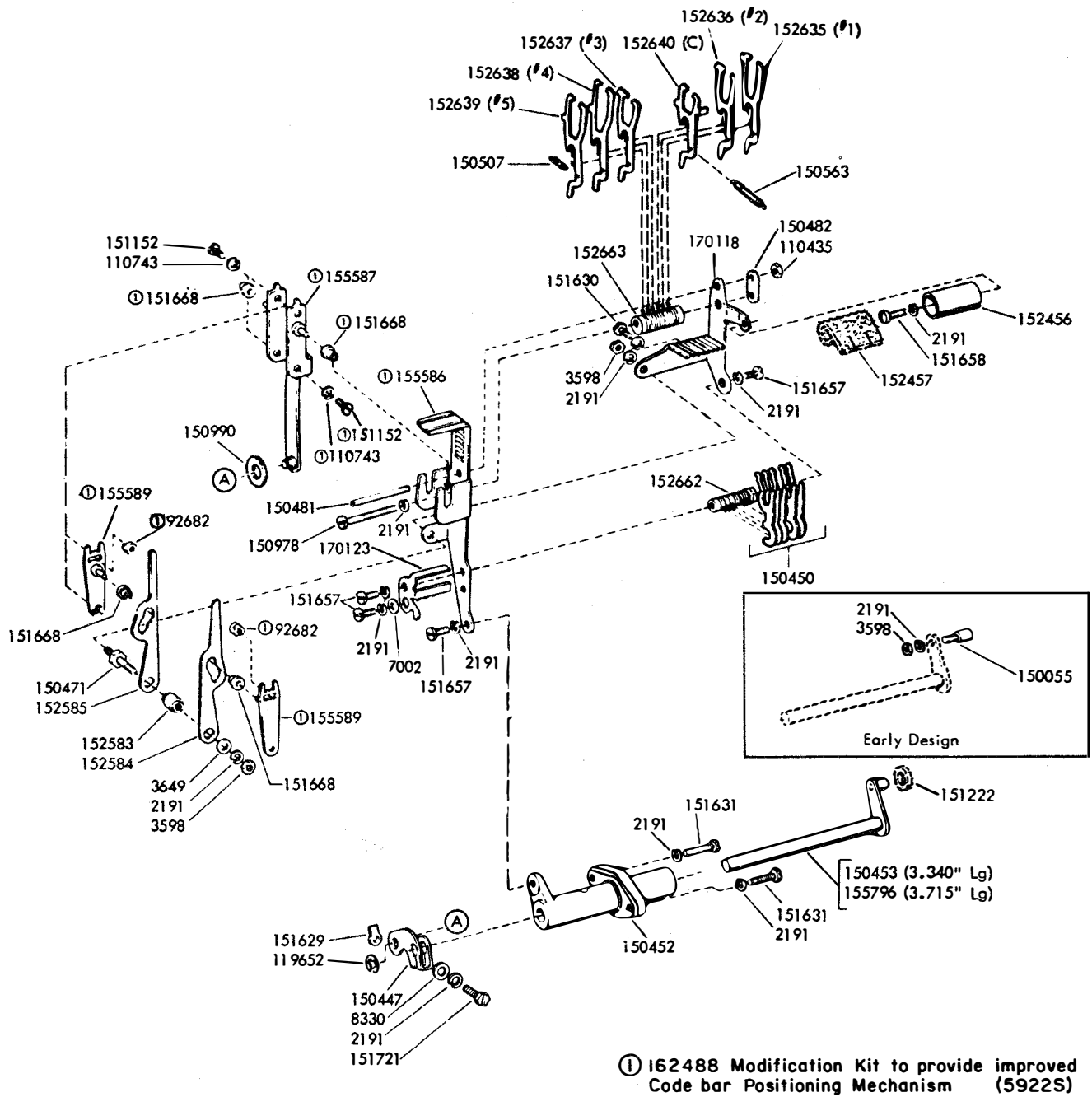


Figure 7-22. Code Bar Positioning Mechanism

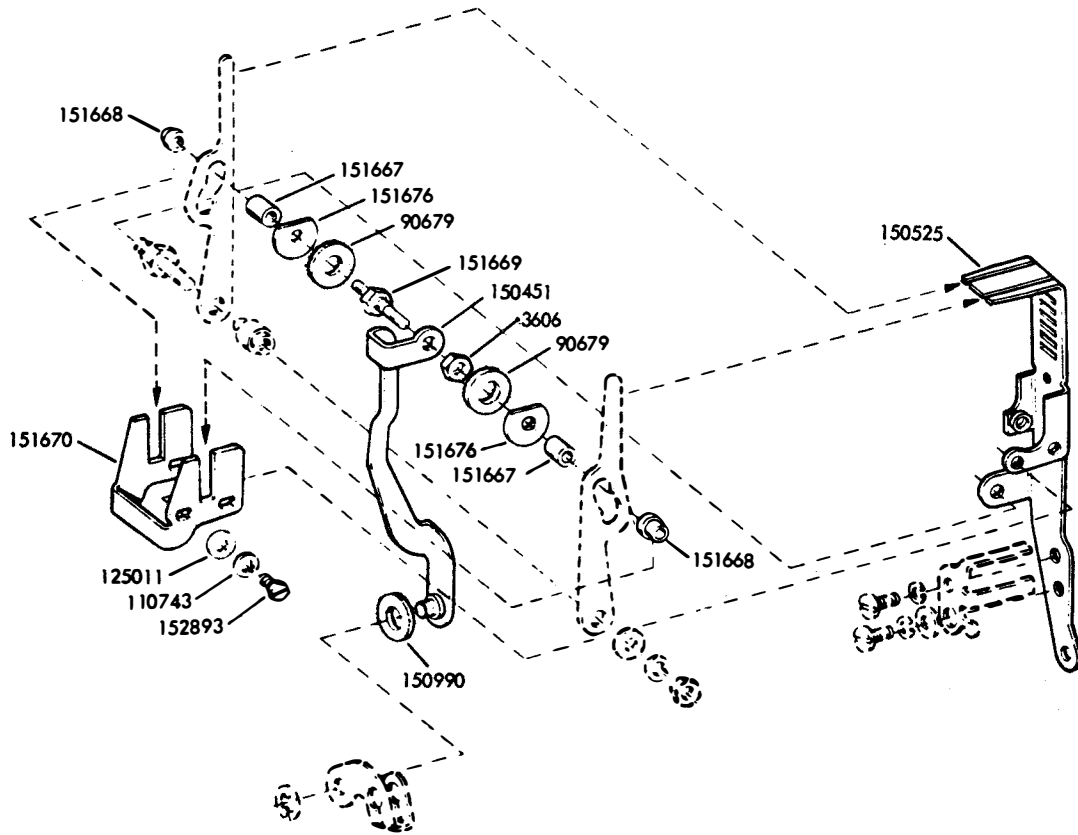


Figure 7-23. Code Bar Positioning Mechanism, Early Design Parts

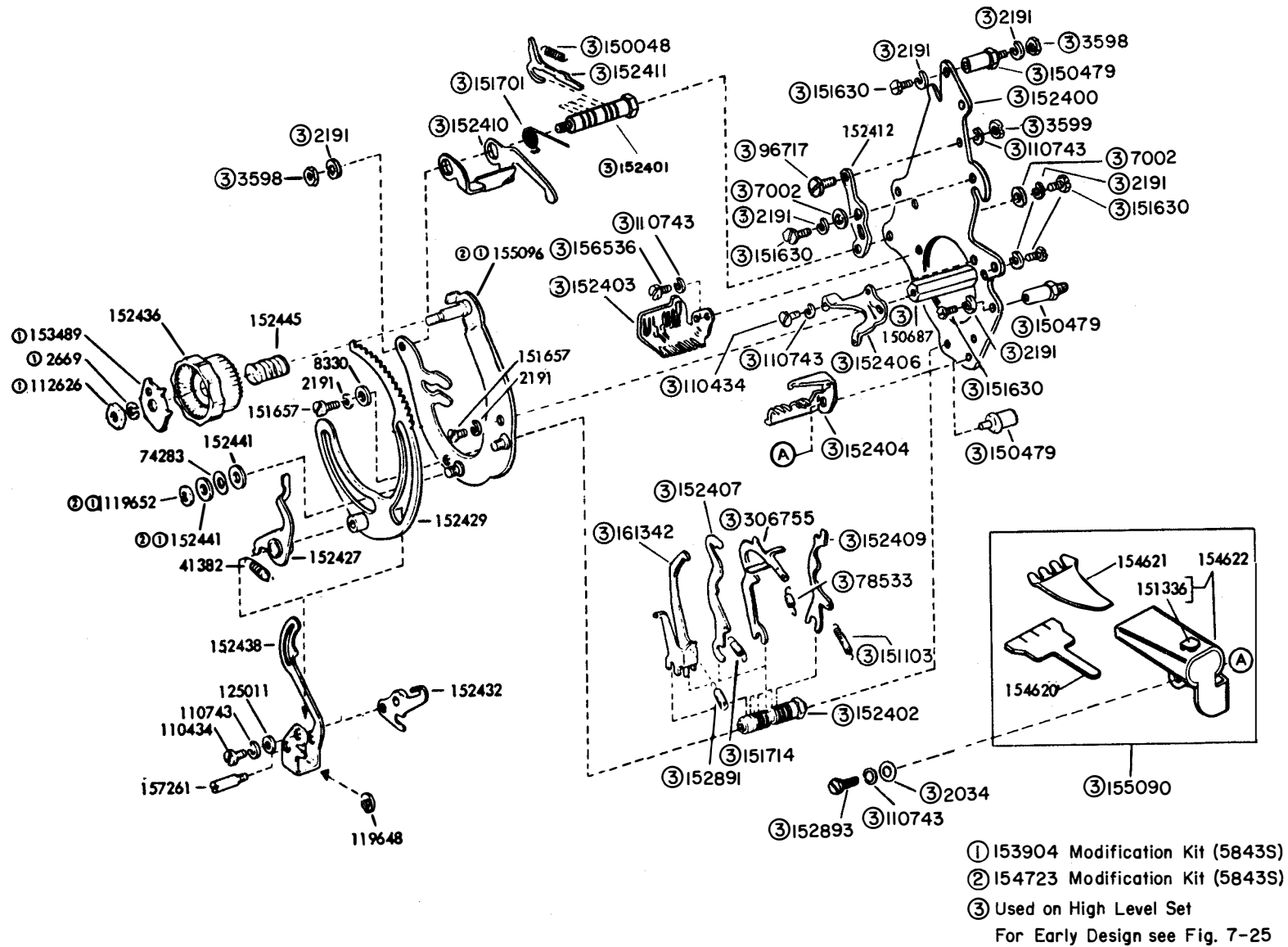


Figure 7-24. Selector Mechanism

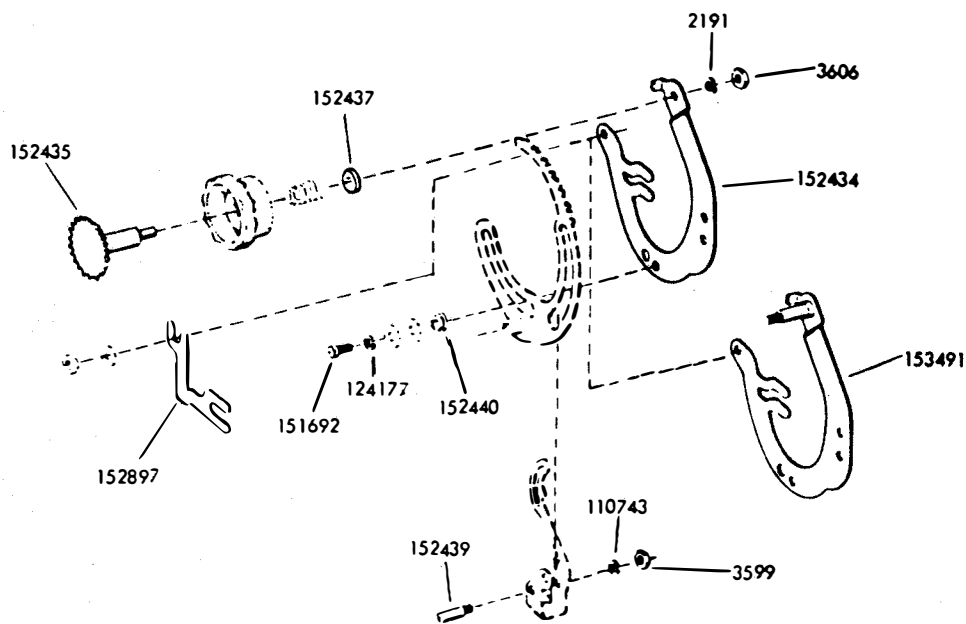


Figure 7-25. Selector Knob Mechanism, Early Design

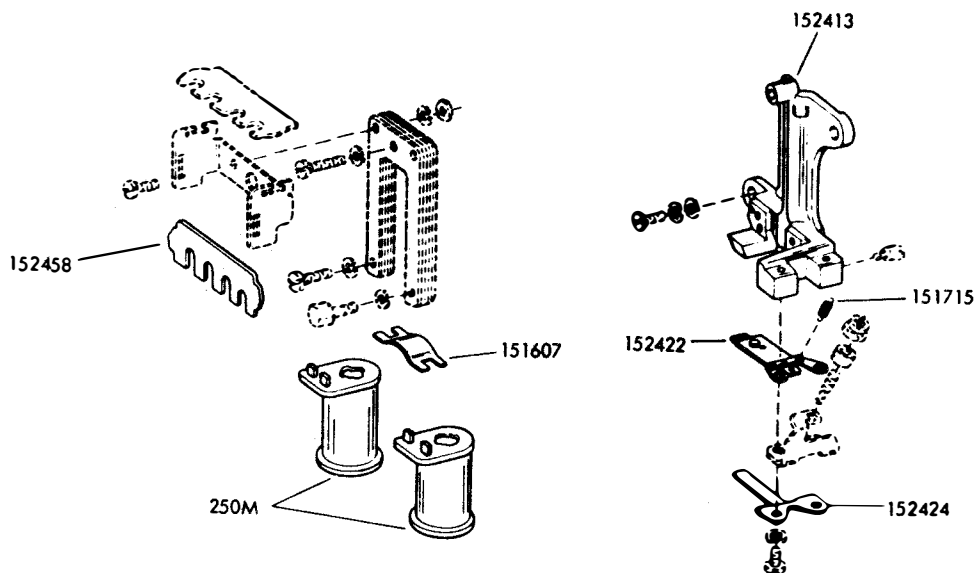


Figure 7-26. Selector Magnet Mechanism, Early Design

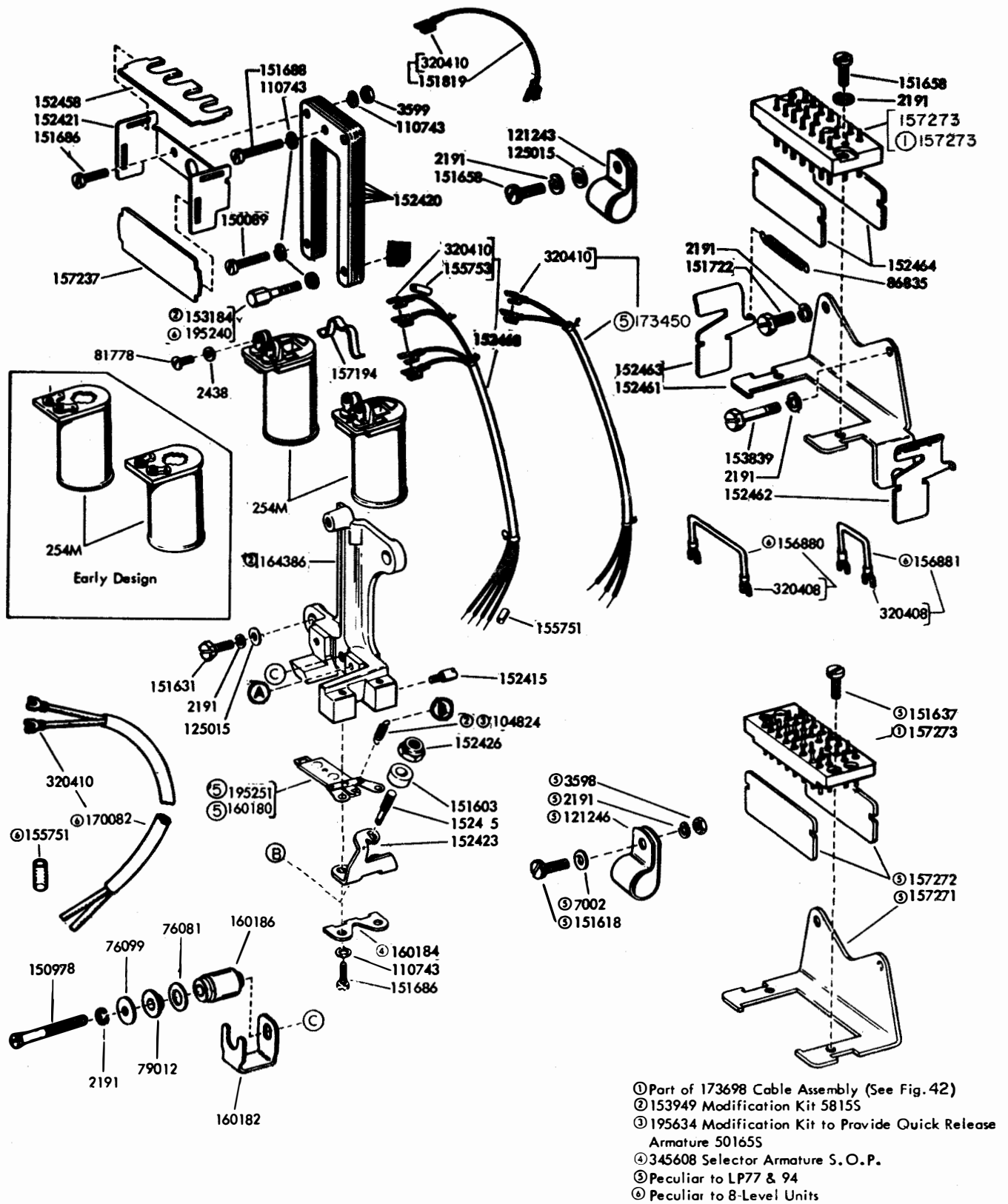
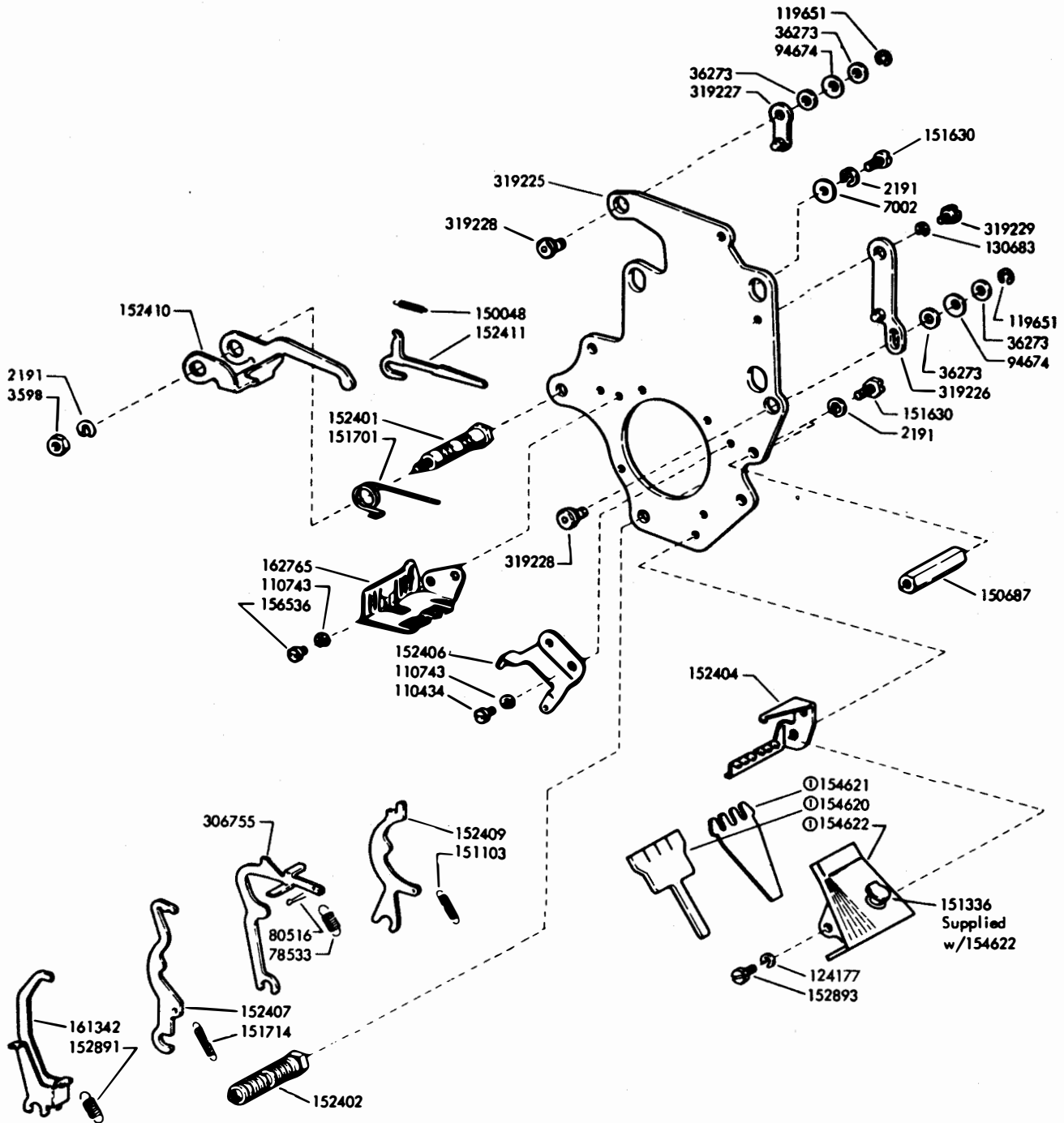


Figure 7-27. Selector Magnet Mechanism



© 155090 Lubricator Assembly

Figure 7-28. Selector Assemblies 319204 (Parallel) and 319205 (Series), PFI Suppression Features for Low-Level Sets (Sheet 1 of 2)

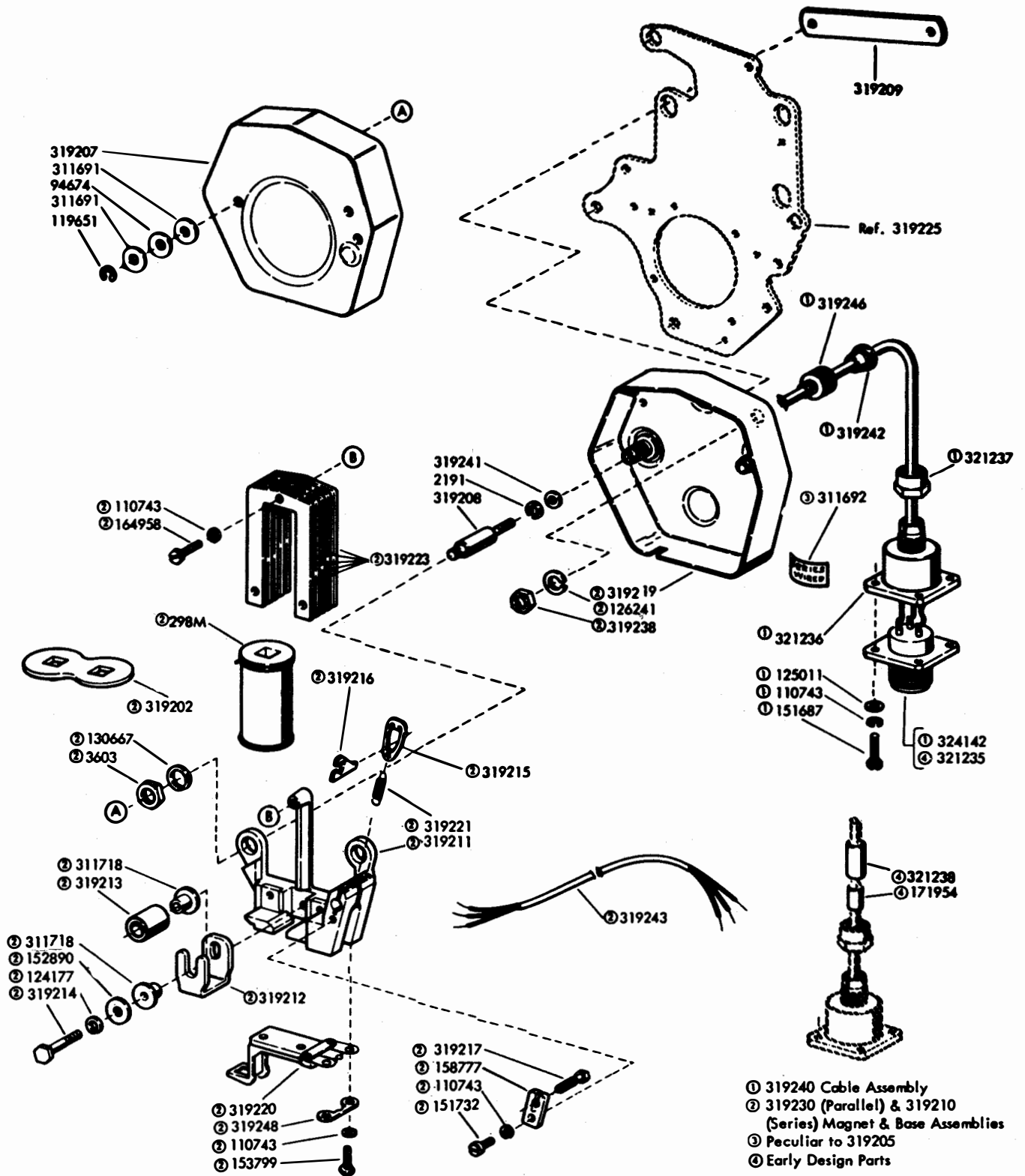


Figure 7-28. Selector Assemblies 319204 (Parallel) and 319205 (Series), RFI Suppression Features for Low-Level Sets (Sheet 2 of 2)

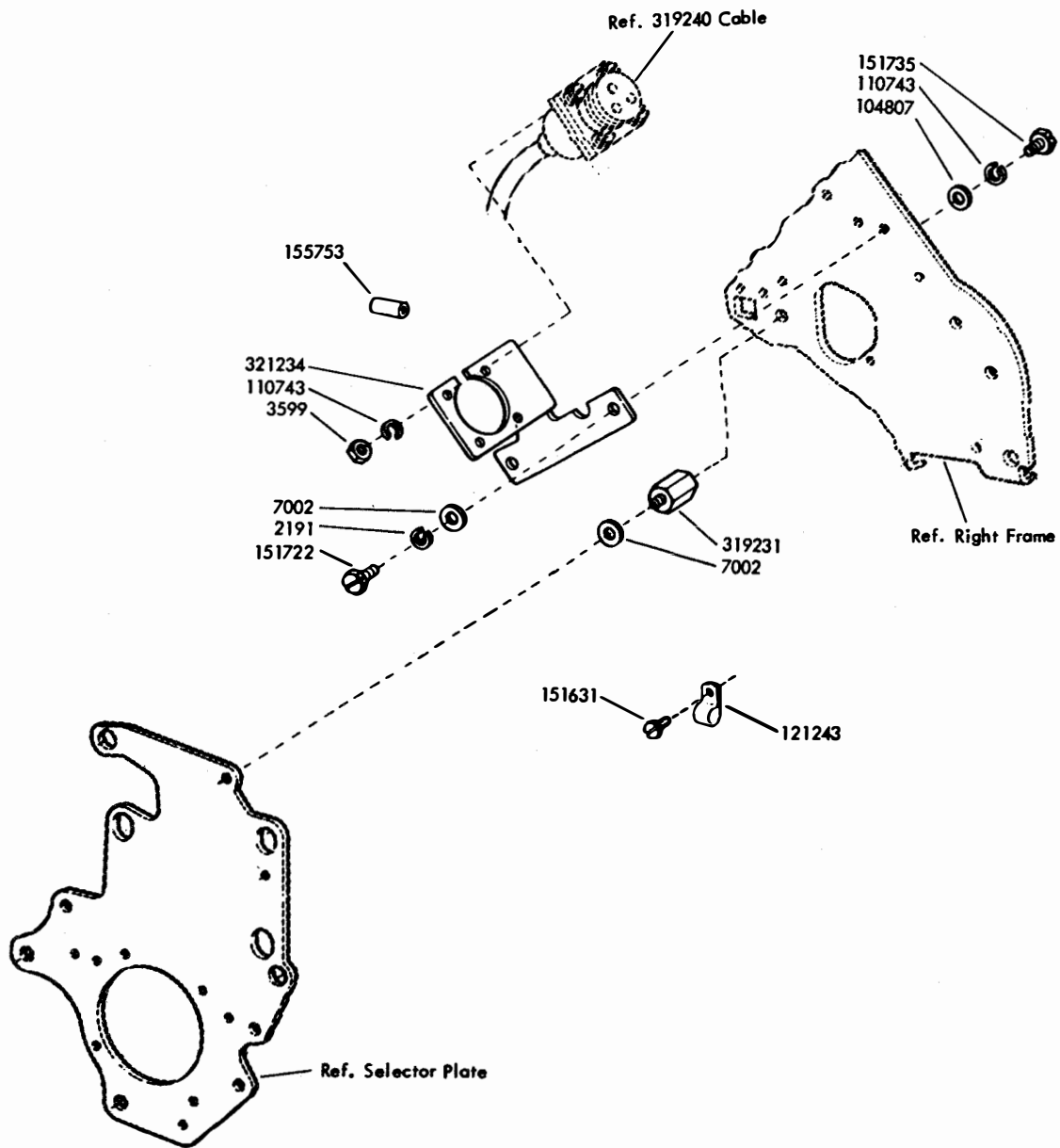


Figure 7-29. Selector Mounting Parts 319200, RFI Suppression Features for Low-Level Sets

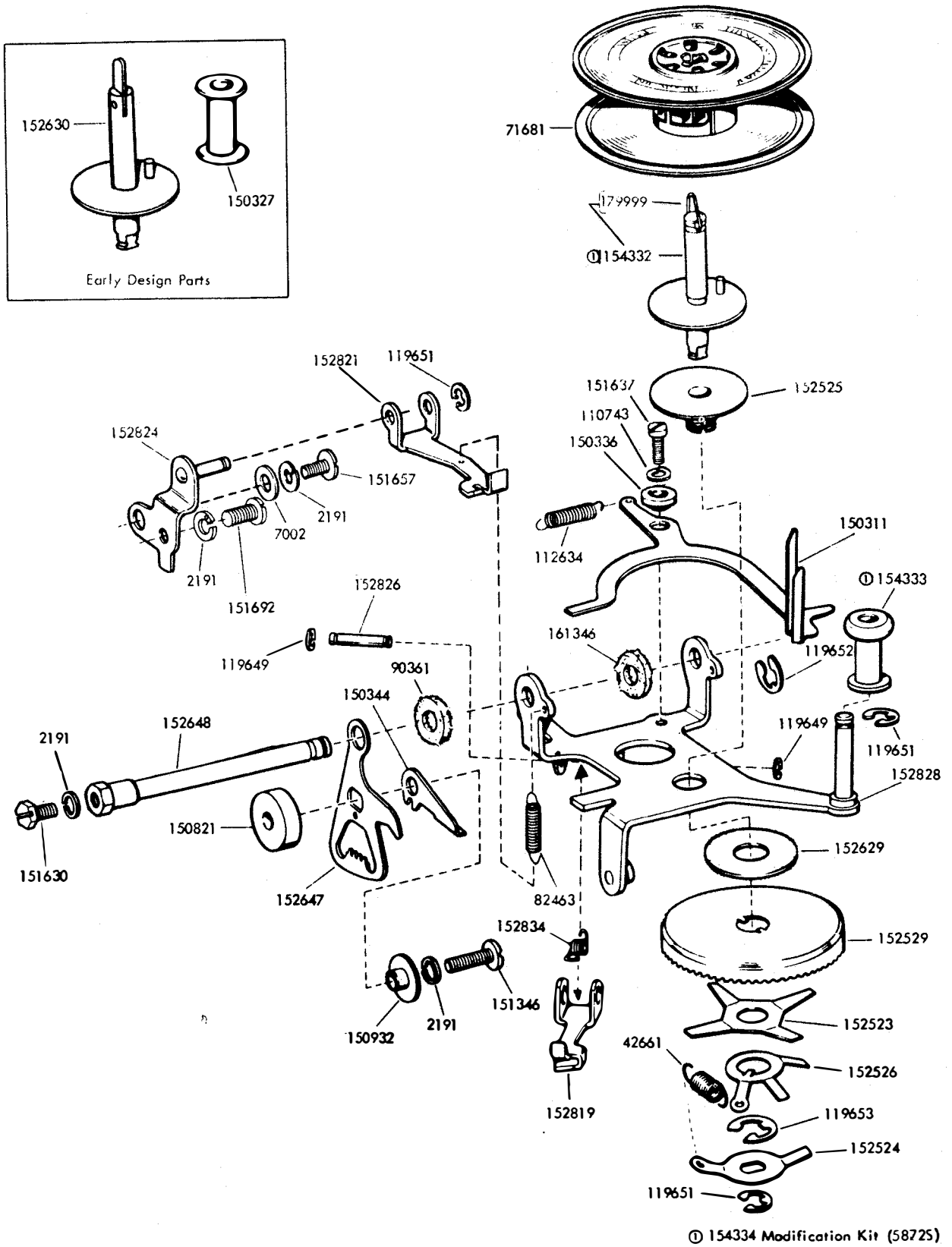
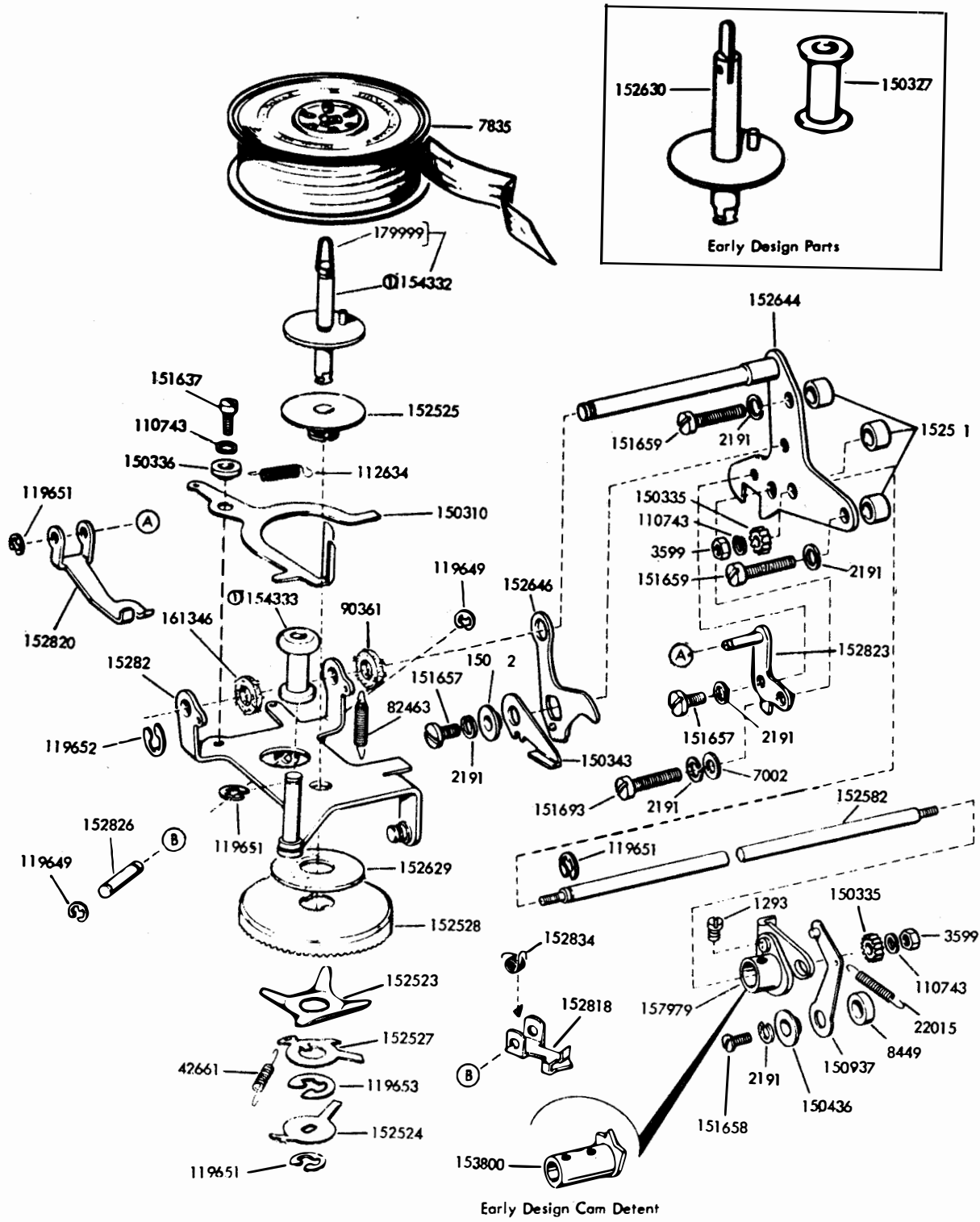
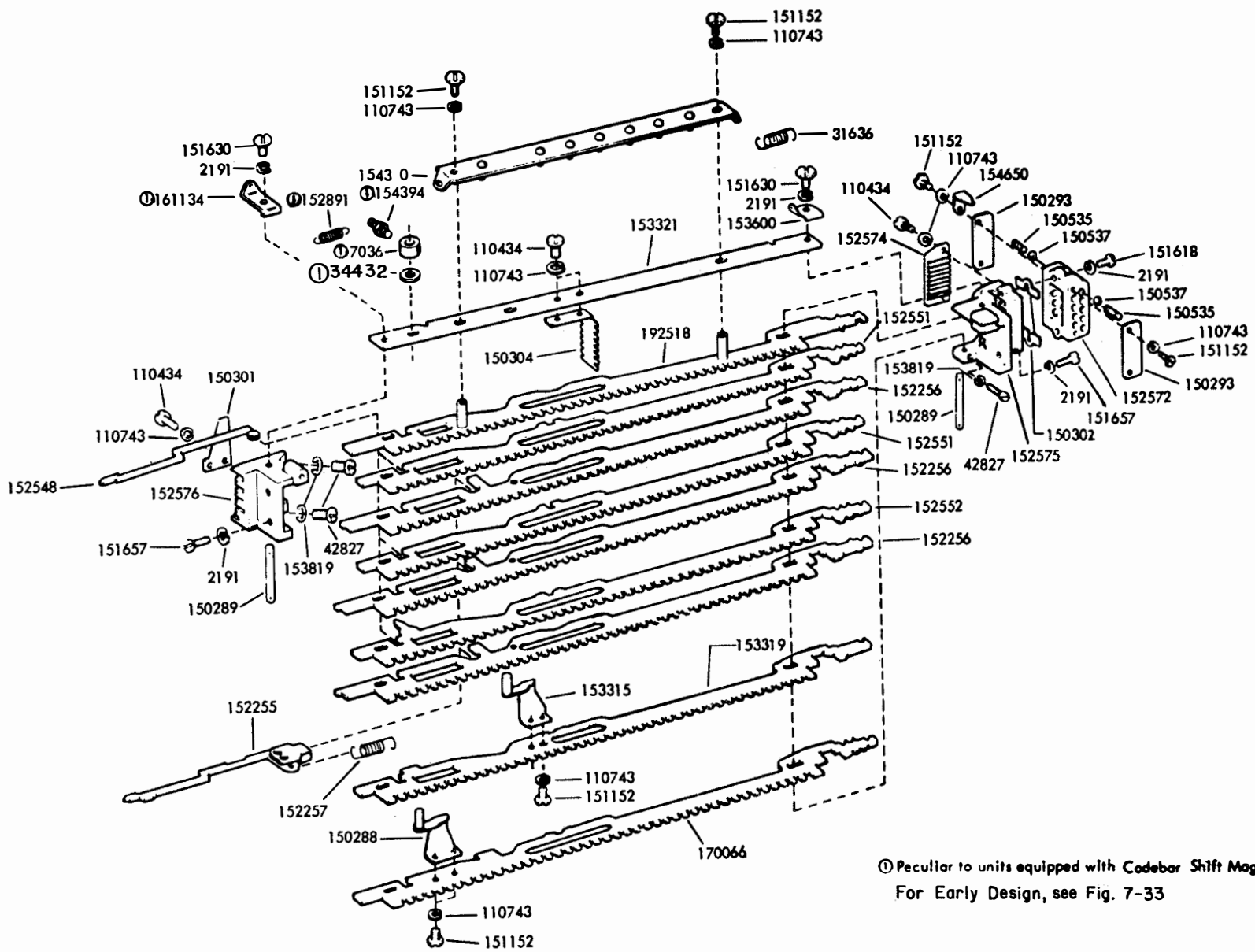


Figure 7-30. Right Ribbon-Feed Mechanism



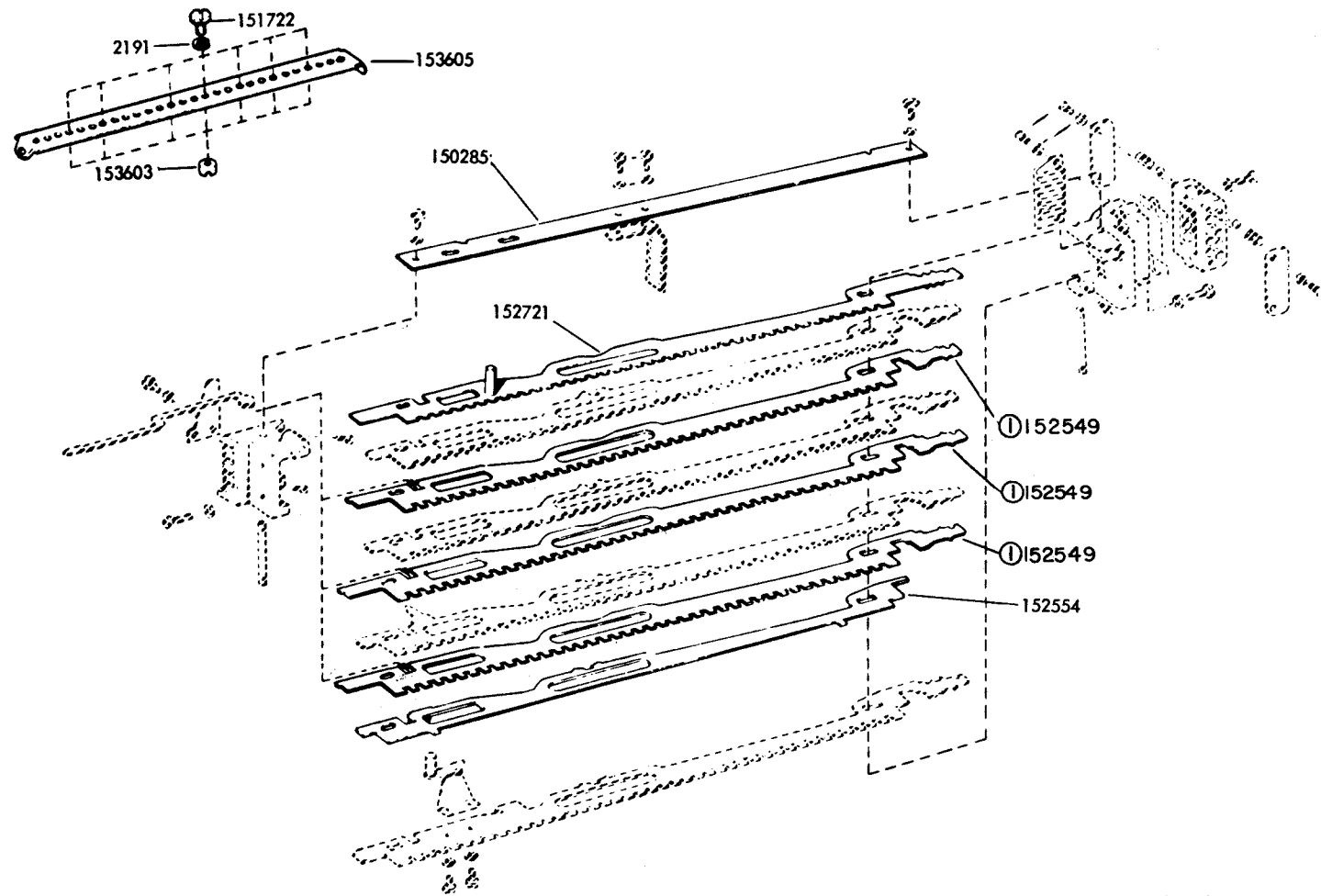
Ⓛ 154334 Modification Kit
(58725)

Figure 7-31. Left Ribbon-Feed Mechanism



① Peculiar to units equipped with Codebar Shift Magnet
 For Early Design, see Fig. 7-33

Figure 7-32. Code Bar Mechanism



① Peculiar to units with Serial Numbers 8699 and lower

Figure 7-33. Code Bar Mechanism, Early Design Parts

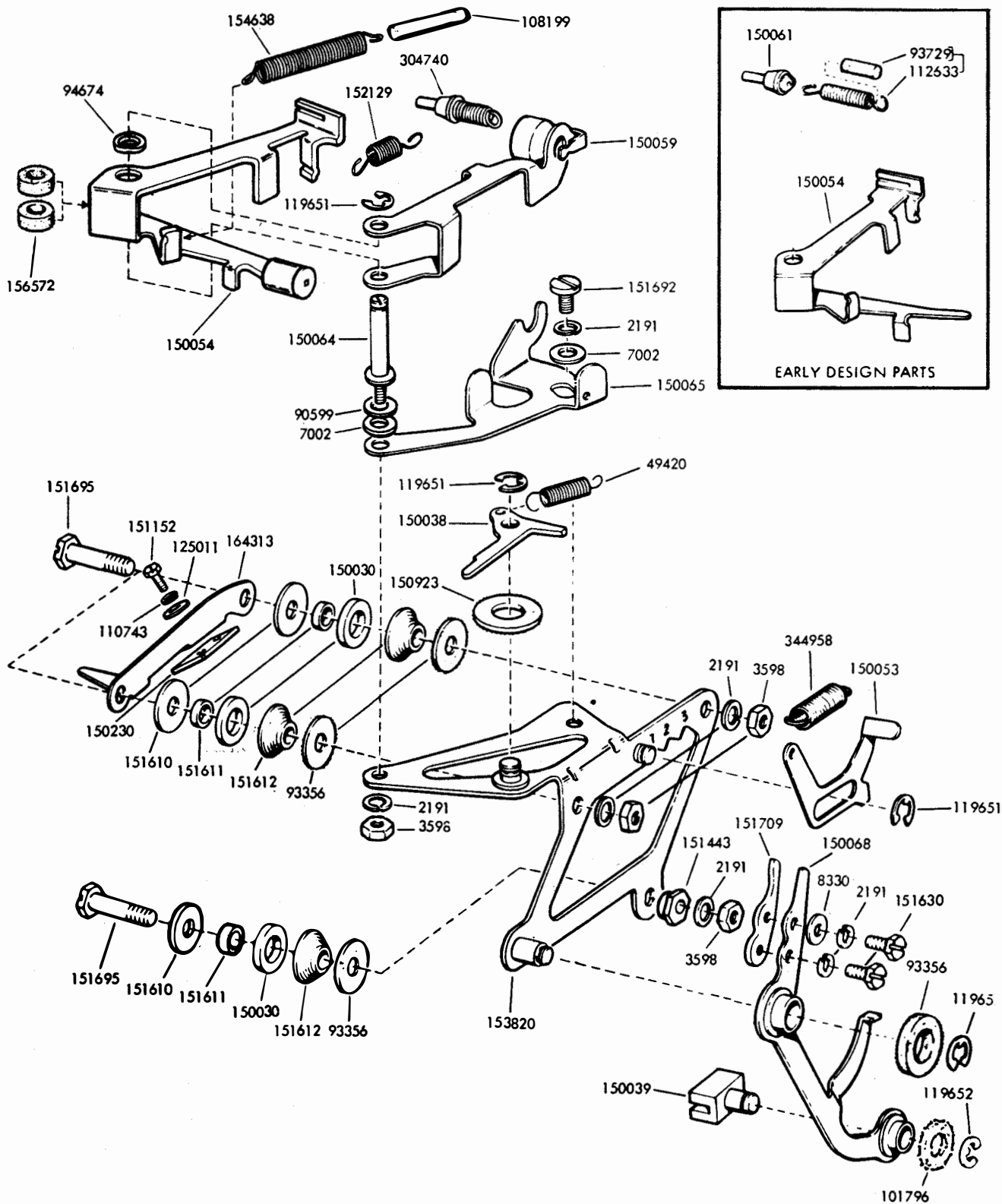
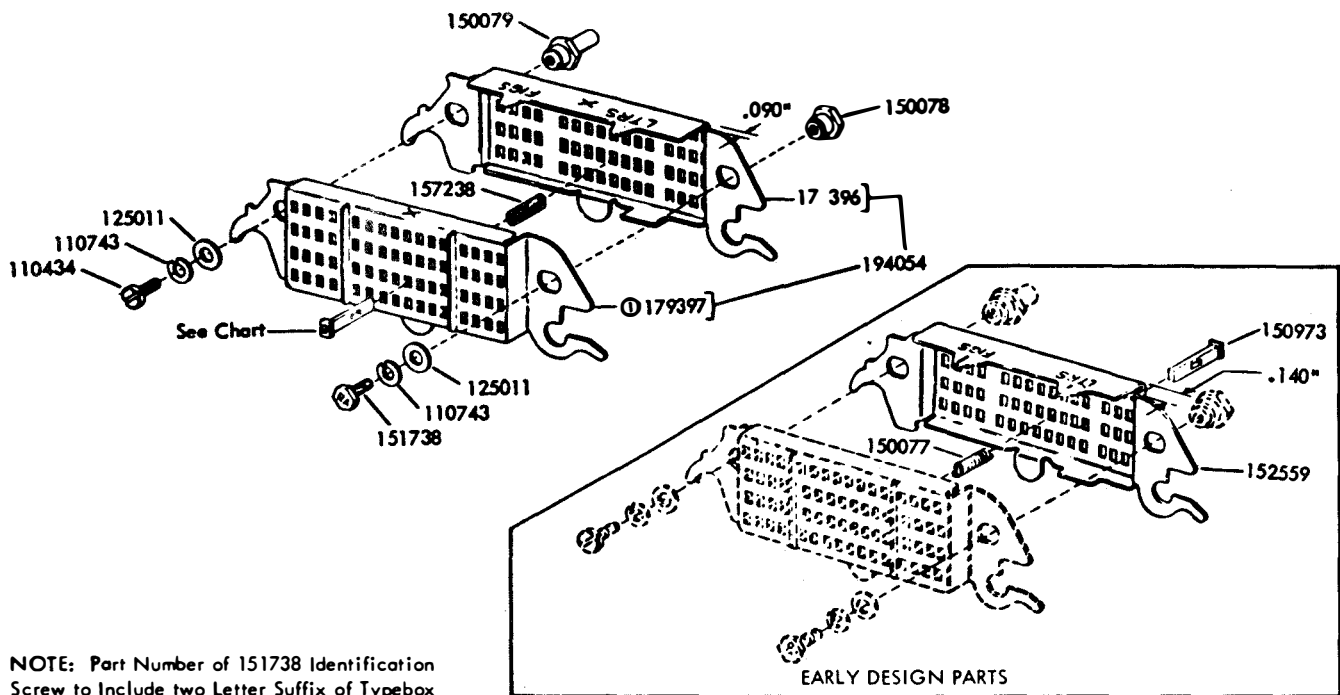


Figure 7-34. Printing Carriage Assembly 150036



NOTE: Part Number of 151738 Identification Screw to Include two Letter Suffix of Typebox Arrangement.

TYPEBOX ARRANGEMENTS											
Arrangement		Style	Character Per Inch	Arrangement		Style	Character Per Inch	Arrangement		Style	Character Per Inch
Code	Number			Code	Number			Code	Number		
AB	193803	Gothic	10	WA	153518	Large Gothic	10	XN	160844	Murray	10
AC	194026	Long Gothic	10	WB	157000	Murray	10	XP	160999	Large Gothic	10
AD	194027	Long Gothic	10	WC	157001	Murray	10	XR	161362	Gothic	12
AE	194929	Long Gothic	10	WD	157002	Murray	10	XS	161363	Gothic	12
AF	195009	Gothic	10	WE	157003	Murray	10	XT	161364	Gothic	12
AG	195218	Murray	10	WF	157004	Murray	10	XU	161365	Gothic	12
AH	195461	Long Gothic	10	WG	157007	Murray	10	XV	161769	Murray	10
AK	197713	Murray	10	WH	157009	Murray	10	XZ	162056	Gothic	12
AL	199898	Gothic	10	WJ	157011	Murray	10	YA	162058	Long Gothic	10
BG	336820	Gothic	10	WK	157013	Murray	10	YB	162539	Murray	10
RA	151930	Murray	10	WL	157015	Murray	10	YC	163295	Large Gothic	10
RB	152881	Murray	10	WM	157017	Murray	10	YD	173803	Gothic	10
RC	151931	Murray	10	WN	157018	Murray	10	YE	164586	Murray	10
RD	151937	Murray	10	WP	155693	Long Gothic	10	YF	162605	Murray	10
RE	151683	Murray	10	WT	157030	Murray	10	YG	161081	Large Gothic	10
RG	152742	Murray	10	WV	155697	Murray	10	YK	164348	Large Gothic	10
RH	152752	Murray	10	WX	155699	Murray	10	YL	164498	Murray	10
RJ	153139	Murray	10	WY	155701	Murray	10	YM	172723	Murray	10
RN	151938	Murray	10	XA	155703	Murray	10	YP	176651	Murray	10
RS	153508	Murray	10	XC	155704	Murray	10	YR	177089	Murray	10
RU	153510	Murray	10	XD	155705	Gothic	12	YS	178724	Murray	10
RV	154643	Large Gothic	10	XE	155706	Gothic	12	YT	178809	Murray	10
RW	153513	Murray	10	XF	155707	Gothic	12	YU	178852	Gothic	10
RY	153514	Murray	10	XG	155708	Murray	10	YV	179057	Gothic	12
RZ	153516	Murray	10	XH	155709	Long Gothic	10	YW	179666	Murray	10
TA	170164	Murray	10	XJ	155710	Murray	10	YZ	173578	Murray	10
TB	174086	Murray	10	XK	155497	Murray	10				
TD	179814	Murray	10	XM	160755	Large Gothic	10				

Figure 7-35. Type Box Arrangements

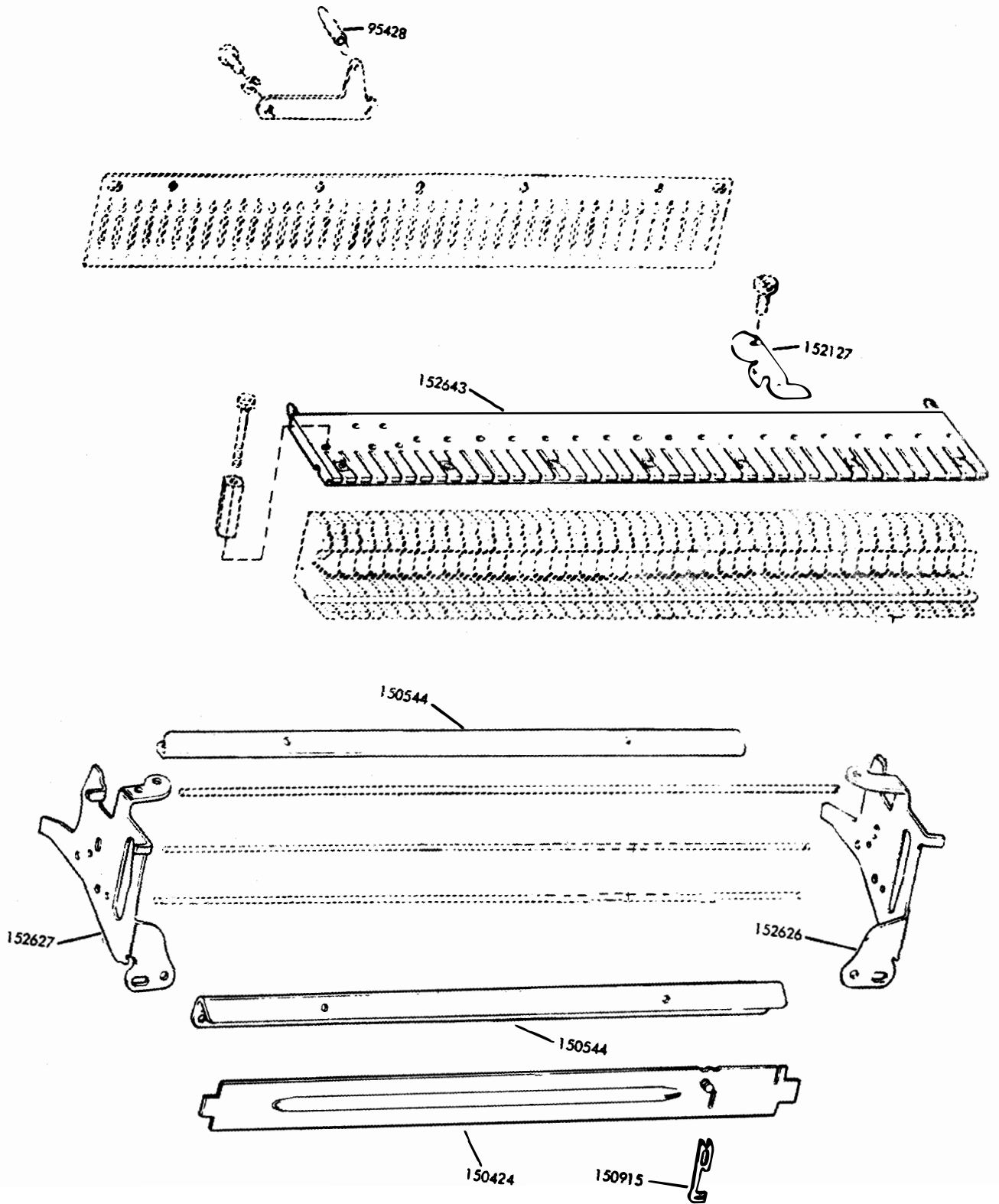


Figure 7-36. Stunt Box Major Components, Early Design

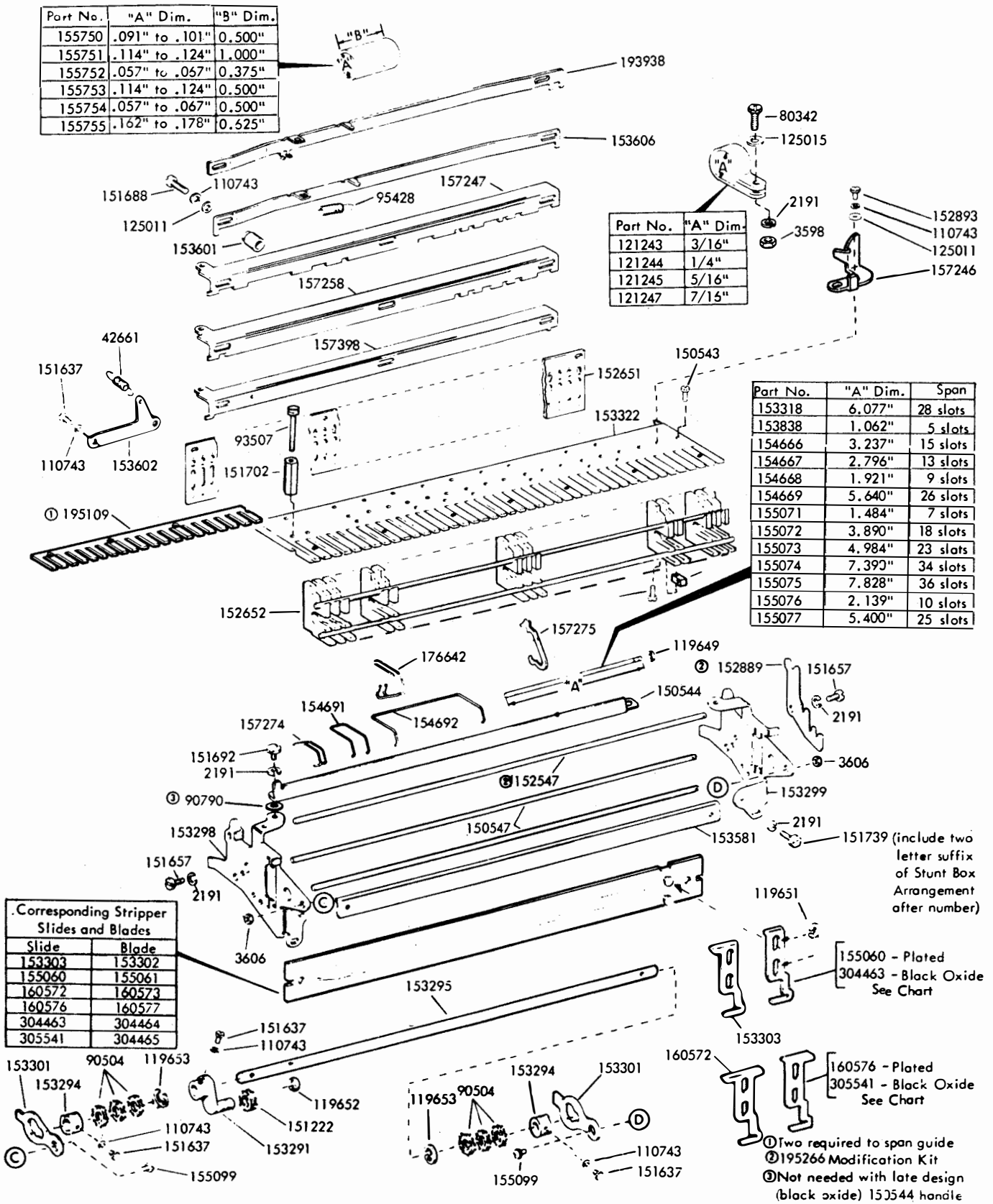


Figure 7-37. Stunt Box Major Components

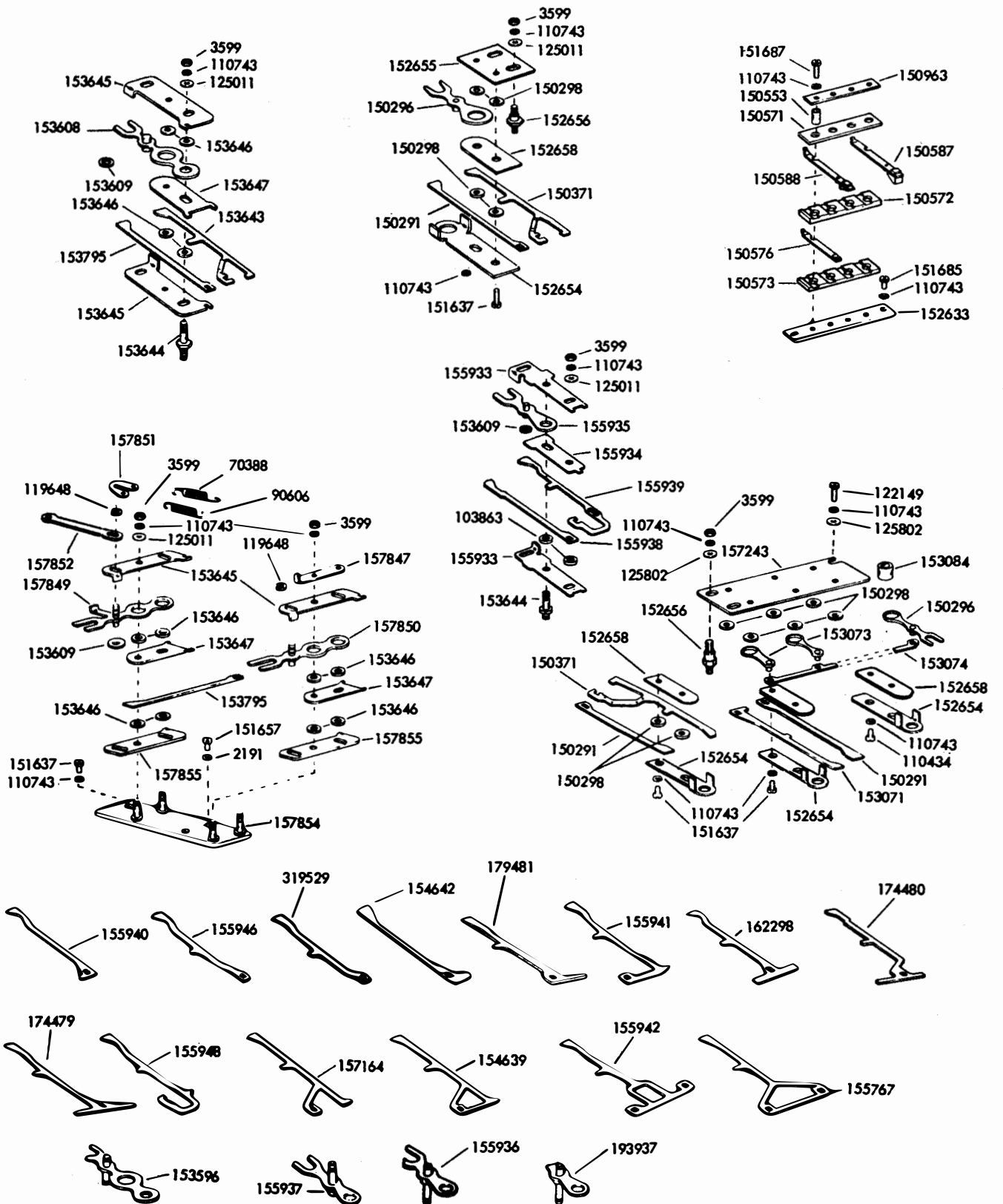
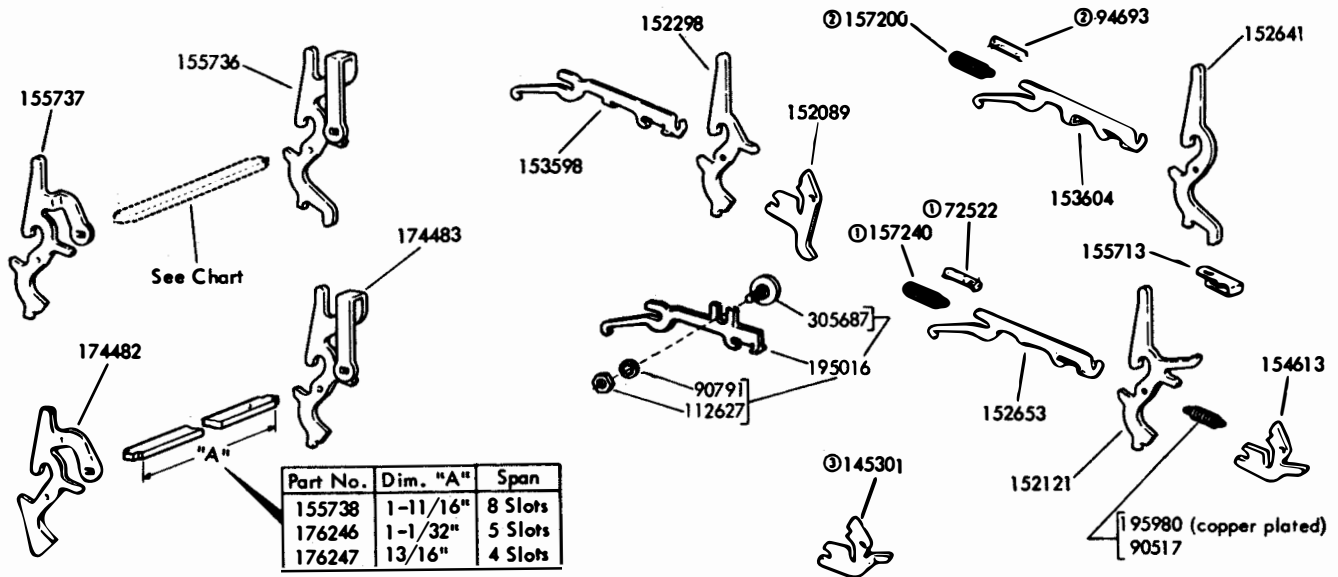
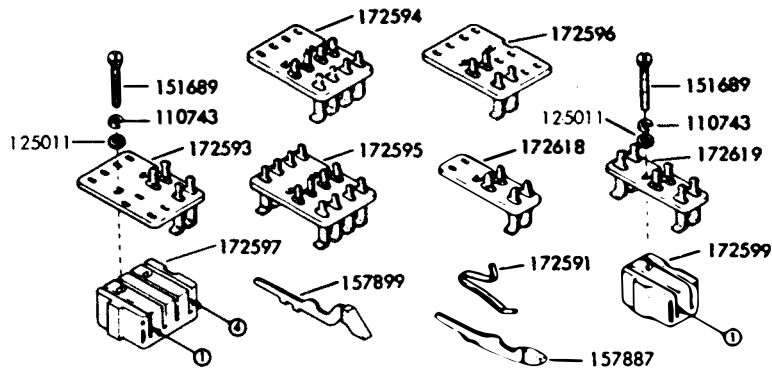


Figure 7-38. Shift Mechanism Components



- ① Used on units equipped with One-Stop and Three-Stop Clutches
- ② Used on units equipped with Two-Stop Clutches
- ③ Early Design Parts

Figure 7-39. Function Levers

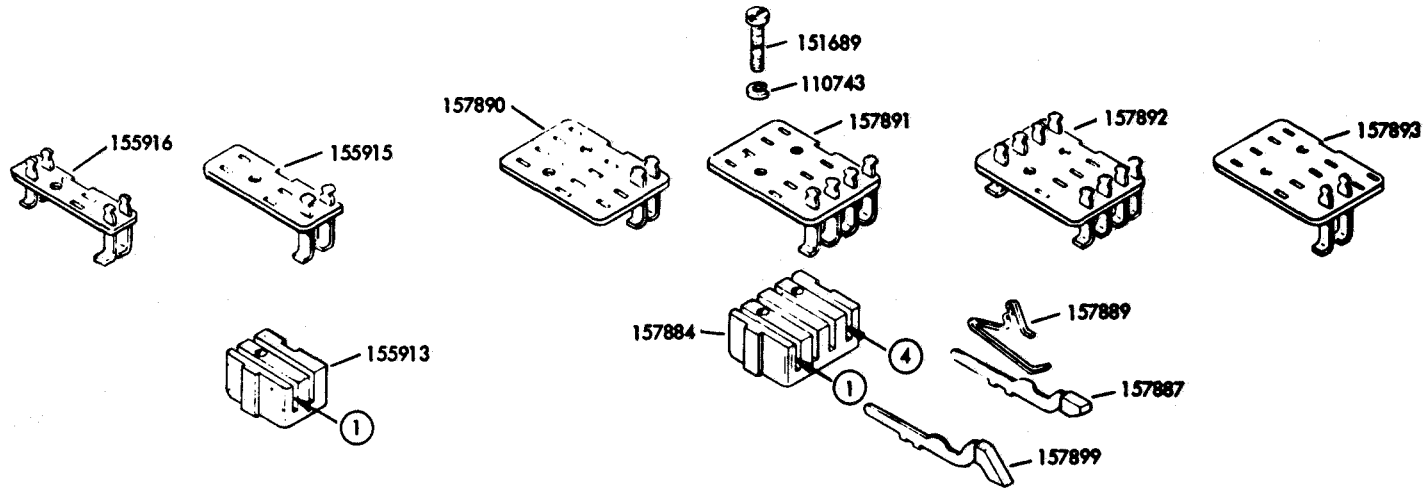


SWITCH ASSEMBLY NO.	CONTACT PLATE NO.	CONTACT ARM POSITION			
		1	2	3	4
172500	172593			157887	157887
172501	172593			157887	
172502	172593				157887
172503	172594	157887	157899	157899	157887
172504	172594	157887			
172505	172594	157899			157899
172506	172594		157887		
172507	172594	157899			
172508	172594	157887	157899		
172509	172594	157899		157899	
172510	172594	157899		157899	157887
172511	172594	157899	157899	157899	157899
172512	172594	157887	157887	157899	
172513	172593			157899	
172514	172594	157887	157887	157887	157887
172515	172594	157887	157887	157887	
172516	172594		157887		157887
172517	172594	157899	157887	157899	157887
172518	172594		157887	157899	157887
172519	172594	157899			157887
172520	172594	157899		157887	157899
172521	172593			157899	
172522	172594	157887	157899		157887
172523	172594	157899	157887	157887	157899
172524	172594	157887			157887
172525	172595	157887	157887	157887	157887
172526	172596		157887		
172527	172595			157887	
172528	172595	157887		157887	
172529	172595			157887	157887
172530	172595	157887	157887	157887	
172531	172595			157887	157887
172532	172595	157887		157887	
172533	172595	157887	157887		
172534	172594		157899	157887	
172535	172594			157899	157887
172536	172594	157899	157887	157899	
172538	172595		157887	157887	157887
172539	172595		157887		157887
172540	172594		157899	157887	157887
172541	172594	157899	157887	157887	157887
172542	172594	157887	157899	157887	157887
172543	172594	157899		157887	
172544	172595		157899		157887
172545	172595	157899		157899	
172546	172595	157899		157887	
172547	172595	157887	157899	157887	
172548	172596		157899		
172549	172595				157887
172550	172595	157899			157899
172551	172594		157887	157887	157887
172552	172594	157899		157887	157887
172553	172595		157887	157899	
172554	172594		157899		157899
172555	172595	157899	157887	157899	157899
172556	172595	157887	157887		157887
172557	172594	157887		157887	157887
172558	172595	157899			
172559	172594	157899	157887		
172560	172595	157899	157899	157887	157887
172561	172594		157887	157899	
172562	172594			157899	
172563	172594	157887	157899	157887	157899
172564	172594	157899	157887		157899
172565	172595	157899	157887		
172566	172595			157899	
172567	172595		157887		157899
172568	172595	157887			157887
172569	172595		157887	157887	
172570	172595		157887	157887	
172571	172594	157887	157887		157887
172572	172593			157899	157899
172573	172595	157899	157899	157899	157887
172574	172595	157899		157899	157887
172575	172595	157899	157899		
172576	172595	157899	157899	157899	157899
172577	172595	157899	157899	157899	
172578	172595		157899	157899	
172579	172595		157899	157887	
172580	172595	157899		157899	157899
172581	172595		157899		157899
172582	172595	157887	157899	157899	
172583	172595			157887	157899
172584	172595		157899	157887	157899
172585	172595	157887	157887		157899
172586	172595			157899	157899
172587	172595			157887	
172588	172595	157887		157899	
172589	172595				157899
172590	172595	(1)	(1)	(1)	(1)
172600	172618	157887			
172601	172618		157887		
172602	172618	157887	157887		
172603	172619	157887			
172604	172619		157887		
172605	172619	157887	157887		
172606	172618	157899			
172607	172618	157899	157899		
172608	172619	157899			

① 172591 Contact Arm Spring included in slot

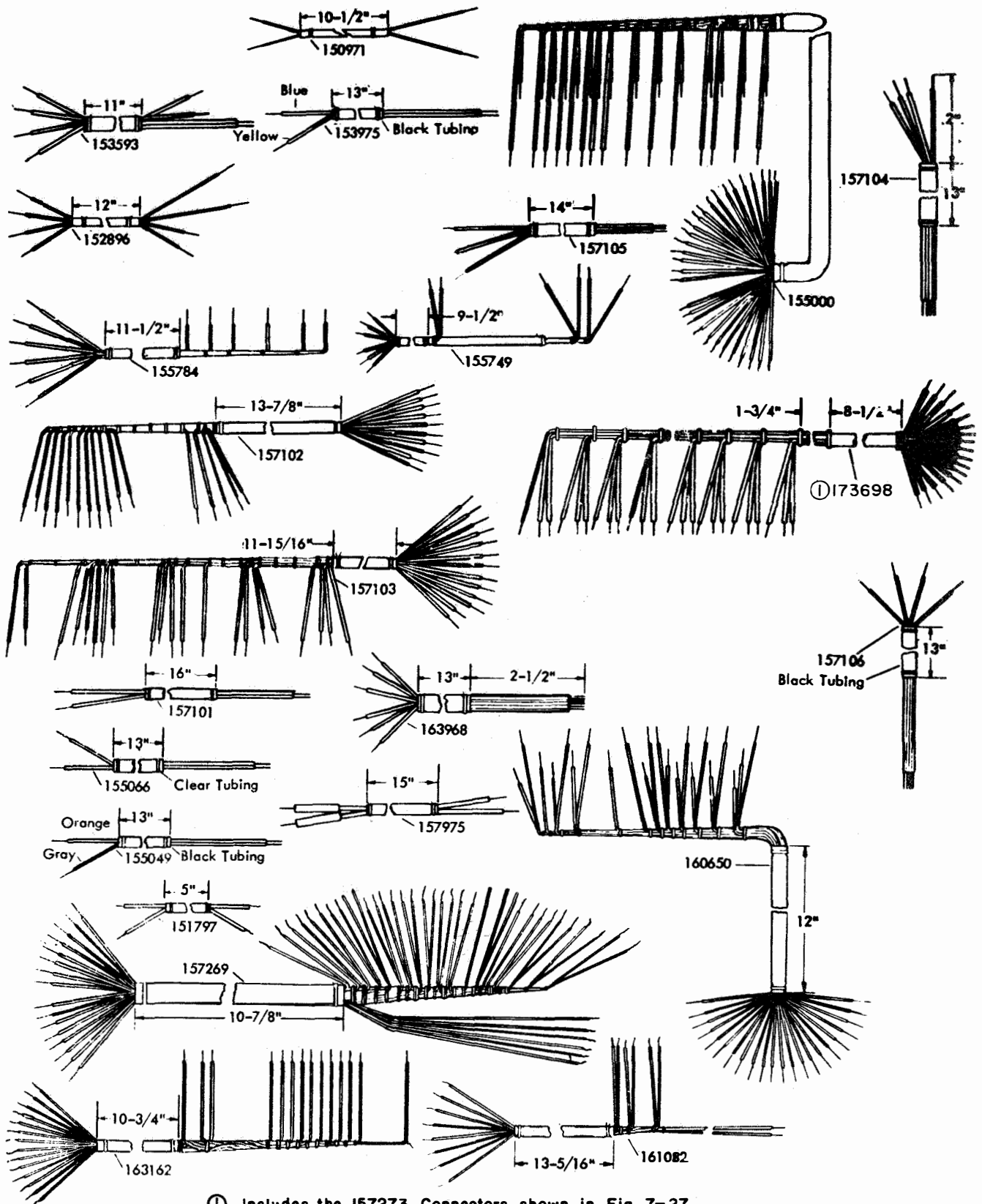
For Early Design, See Fig. 7-41

Figure 7-40. Switch Assemblies and Components



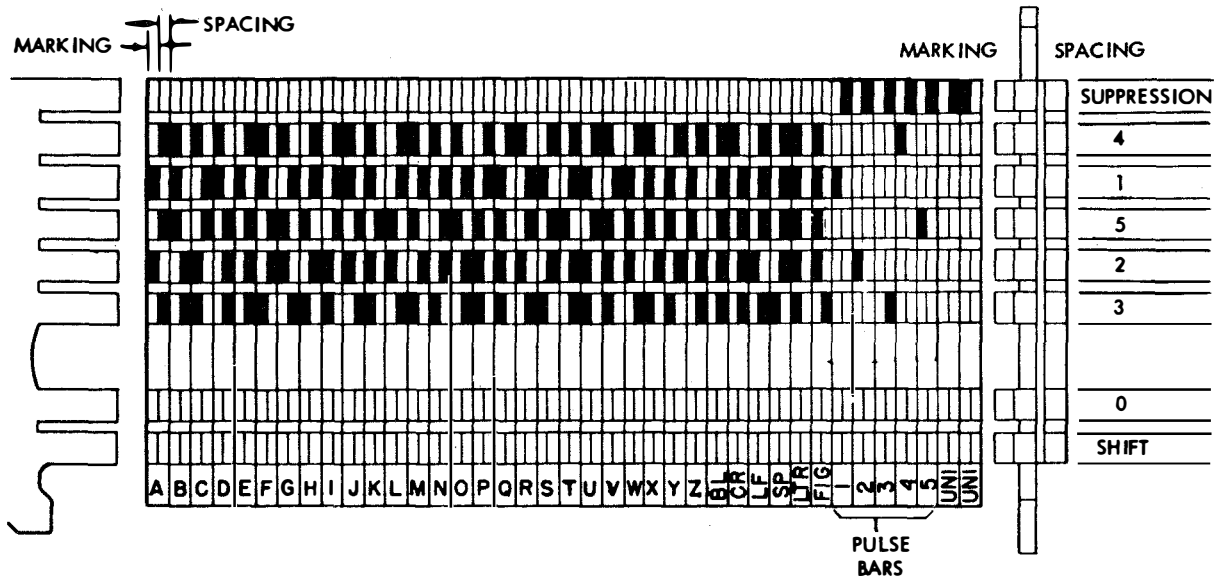
SWITCH ASSEMBLY NO.	CONTACT PLATE NO.	CONTACT ARM POSITION		SWITCH ASSEMBLY NO.	CONTACT PLATE NO.	CONTACT ARM POSITION				SWITCH ASSEMBLY NO.	CONTACT PLATE NO.	CONTACT ARM POSITION			
		1	2			1	2	3	4			1	2	3	4
155917	155915	157887		157070	157890			157887	157887	160192	157892	157887		157887	157887
155918	155915		157887	157071	157890C				157887	160193	157892	157887			
155919	155915	157887	157887	157072	157890C					160194	157892	157887	157887		
155920	155916	157887		157073	157891	157887	157899	157899	157887	160195	157891		157899	157887	
155921	155916		157887	157074	157891	157887				160196	157891			157899	157887
155922	155916	157887	157887	157075	157891	157899			157899	160197	157891	157899	157887	157899	157887
155923	155915	157899		157076	157891		157887			160198	157891	157899	157887	157887	157887
155924	155915	157899	157899	157077	157891	157899				160199	157892		157887	157887	157887
155925	155915	157899		157078	157891	157887	157899			160200	157892		157887	157887	157887
				157079	157891	157899		157899		160201	157891	157899	157899	157887	157887
				157080	157891	157899		157899	157887	160202	157891	157899	157887	157887	157887
				157081	157891	157899	157899	157899	157899	160203	157891	157887	157899	157887	157887
				157082	157891	157887	157887	157899		160204	157891	157899		157887	
				157083	157890			157899		160205	157892		157899		157887
				157084	157891	157887	157887	157887	157887	160206	157892	157899		157899	
				157085	157891	157887	157887	157887		160207	157892	157899		157887	
				157086	157891		157887	157887	157887	160208	157892	157887	157899	157887	
				157087	157891	157899	157887	157899	157887	160209	157893		157899		
				157088	157891		157887	157899	157887	160210	157892				157887
				157089	157891	157899			157887	160211	157892	157899			157899
				157090	157891	157899		157887	157899	160212	157891		157887	157887	157887
				157091	157890				157899	160213	157891	157899		157887	157887
				157092	157891	157887	157899		157887	160214	157892		157887	157899	
				157093	157891	157899	157887	157887	157899	160215	157891		157899		157899
				157094	157891	157887			157887	160216	157892	157899	157887	157899	157899
				157095	157892	157887	157887	157887	157887	160217	157892	157887	157887		157887
				157096	157893		157887			160218	157891	157887		157887	157887
				157097	157892			157887		160219	157892	157899	157899	157887	157887
				157098	157892	157887			157887	160220	157891	157899	157887		
				157099	157892			157887	157887						
				157100	157892	157887	157887	157887							

Figure 7-41. Switch Assemblies and Components, Early Design Parts



① Includes the 157273 Connectors shown in Fig. 7-27

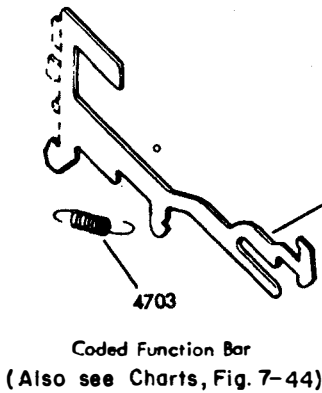
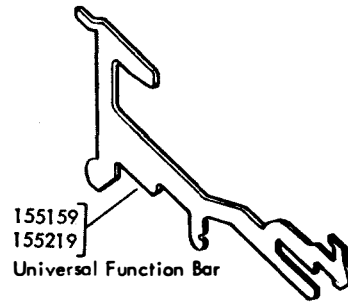
Figure 7-42. Cable Assemblies



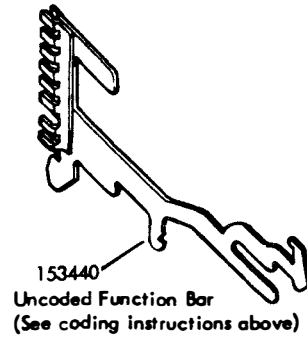
Blank squares indicate the Tines that should be removed to code the 153440 Function Bar.

Additional levels at which the Function Bar can be controlled.

SUPPRESSION TINES	MARKING SPACING	NON-PRINT PRINT	These terms apply only to Selective Calling.
0 TINES	MARKING SPACING	SELECT NON-SELECT	
SHIFT TINES	MARKING SPACING	UPPER CASE LOWER CASE	



- 152665 — THROUGH — 152704
- 153160 — THROUGH — 153169
- 153409 — THROUGH — 153438
- 153520 — THROUGH — 153528
- 155100 — THROUGH — 155135
- 155141 — THROUGH — 155145
- 155176 — THROUGH — 155180
- 155191 — THROUGH — 155218
- 155246 — THROUGH — 155250
- 155286 — THROUGH — 155290
- 155294 —
- 155296 — THROUGH — 155300
- 155306 — THROUGH — 155307
- 155311 — THROUGH — 155315
- 155326 — THROUGH — 155330
- 155336 — THROUGH — 155340
- 155366 — THROUGH — 155370
- 162636 — THROUGH — 162640



Note: For removing Tines, use 161686 Tine Tool.

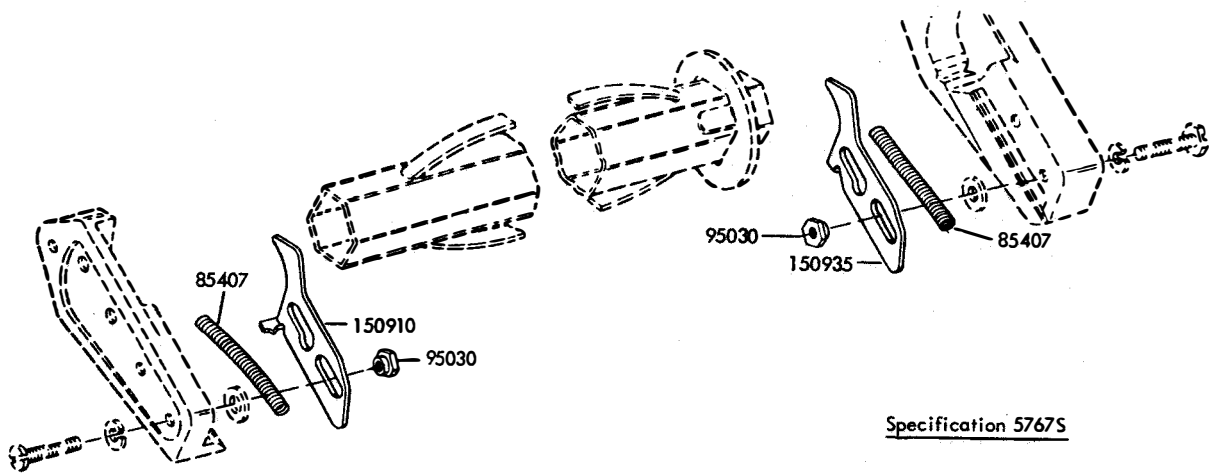
Figure 7-43. Function Bars

CONDITION OF TYPING UNIT FOR FUNCTION BAR SELECTION		NO RESTRICTION	UPPER CASE	LOWER CASE	SELECT	NON-SELECT	PRINT	NON-PRINT	CONDITION OF TYPING UNIT FOR FUNCTION BAR SELECTION
CHARACTER OR FUNCTION 153440 UNCODED FUNCTION BAR IS AVAILABLE FOR USE ON ANY CHARACTER OR FUNCTION BY REMOVING TINES	A	152676			155100	153409	155191		A
	B	152677	153526		155101	153410	155192		B
	C	152678	153520		155102	153411	155193		C
	D	152679	153521		155103	153412	155194		D
	E	152680	153166		155104	153413	155195		E
	F	152681	153160	155326	155105	153414	155196	155286	F
	G	152682	153162	155327	155106	153415	155197	155287	G
	H	152683	152673	155328	155107	153416	155198	155288	H
	I	152684	155249	155329	155108	153417	155199	155289	I
	J	152685	152694	155330	155109	153418	155200	155290	J
	K	152686	153529		155110	153419	155201		K
	L	152687	153522		155111	153420	155202		L
	M	152688	152674		155112	153421	155203		M
	N	152689	153523		155113	153422	155204	155294	N
	O	152690	153528		155114	153423	155205		O
	P	152691	155250	155336	155115	153424	155206	155296	P
	Q	152692	153165	155337	155116	153425	155207	155297	Q
	R	152695	153167	155338	155117	153426	155208	155298	R
	S	152696	152672	155339	155118	153427	155209	155299	S
	T	152697	153524	153169	155119	153428	155210	155300	T
	U	152698	155248	155340	155120	153429	155211		U
	V	152699	153164		155121	153430	155212		V
	W	152700	153163		155122	153431	155213		W
	X	152701	153525		155123	153432	155214		X
	Y	152702	153527		155124	153433	155215		Y
	Z	152703	153161		155125	153434	155216	155306	Z
	BLANK LETTERS	152669	152693	152675	155312		155217	155307	BLANK LETTERS
	FIGURES	152665			155313		153438		FIGURES
SPACE	152666							SPACE	
CARRIAGE-RETURN	155129			155314	152670			CARRIAGE-RETURN	
LINE FEED	152667			155128	199519	155127		LINE FEED	
ANY CHARACTER OR FUNCTION	152668			155315		153435	155130	ANY CHARACTER OR FUNCTION	
M & N	152704	153168		155311	152671			M & N	
M & V				155132				M & V	
PULSE #1	199518			155218				PULSE #1	
" #2						162636		" #2	
" #3						162637		" #3	
" #4						162638		" #4	
" #5						162639		" #5	
UNIV.						162640		UNIV.	
						155159	155219		
POSITION OF FUNCTION BAR TINES	SUPPRESSION LEVEL ZERO LEVEL SHIFT LEVEL		MARKING	SPACING	MARKING	SPACING	MARKING	SUPPRESSION LEVEL ZERO LEVEL SHIFT LEVEL	

Figure 7-44. Function Bar Condition Chart (Sheet 1 of 2)

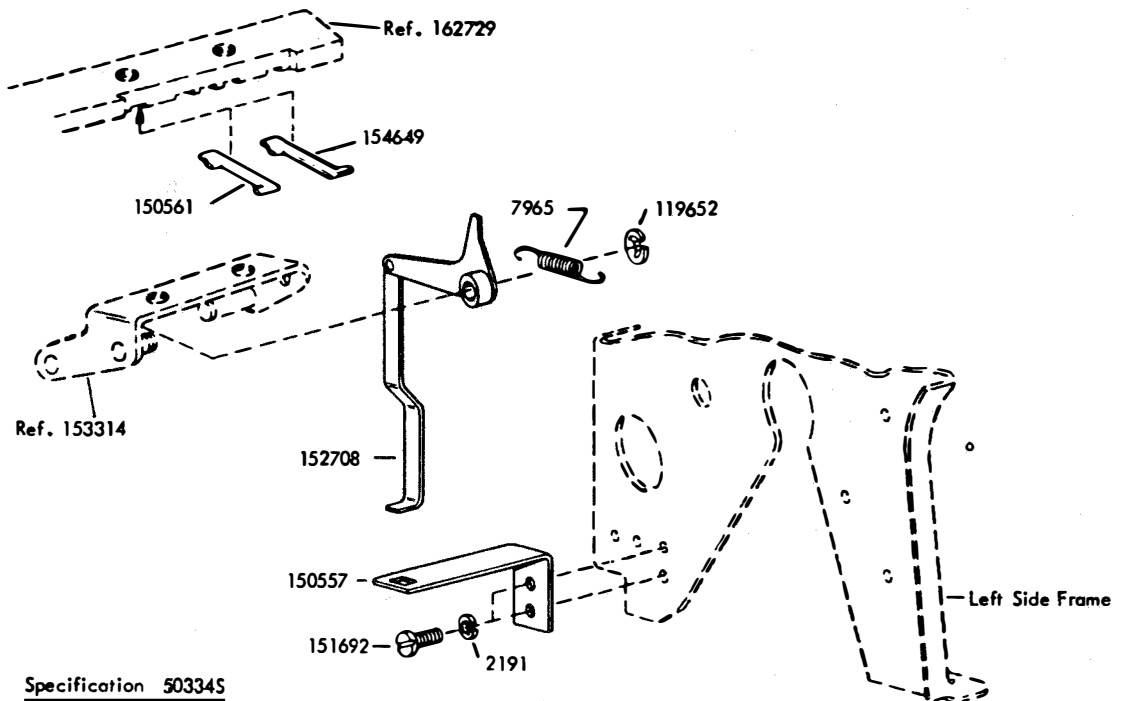
CONDITION OF TYPING UNIT FOR FUNCTION BAR SELECTION		PRINT NON-SELECT	PRINT UPPER CASE	PRINT SELECT	SELECT LOWER CASE	PRINT LOWER CASE	SELECT UPPER CASE	NON-SELECT LOWER CASE	CONDITION OF TYPING UNIT FOR FUNCTION BAR SELECTION
CHARACTER OR FUNCTION	A								A
	B								B
	C								C
	D								D
	E								E
	F		155141						F
	G		155135						G
	H		155142		155133				H
	I		155143						I
	J		155131						J
	K		155144						K
	L		155145						L
	M								M
	N								N
	O					155176		155366	O
	P					155177		155367	P
	Q					155178		155368	Q
	R					155179		155369	R
	S		153437			155180		155370	S
	T								T
	U								U
	V								V
	W								W
	X								X
	Y								Y
	Z		155134					155246	Z
BLANK LETTERS FIGURES SPACE							155247	BLANK LETTERS FIGURES SPACE	
CARRIAGE-RETURN LINE FEED								CARRIAGE-RETURN LINE FEED	
ANY CHARACTER OR FUNCTION		153436		155126				ANY CHARACTER OR FUNCTION	
M & N								M & N	
M & V								M & V	
PULSE #1								PULSE #1	
" 2								" 2	
" 3								" 3	
" 4								" 4	
" 5								" 5	
UNIV.								UNIV.	
POSITION OF FUNCTION BAR TINES	SUPPRESSION LEVEL ZERO LEVEL SHIFT LEVEL	SPACING SPACING	SPACING MARKING	SPACING MARKING	MARKING SPACING	SPACING SPACING	MARKING MARKING	SPACING SPACING	SUPPRESSION LEVEL ZERO LEVEL SHIFT LEVEL

Figure 7-44. Function Bar Condition Chart (Sheet 2 of 2)



Specification 5767S

Figure 7-45. Modification Kit 151799 to Provide Latches for Paper Spindle



Specification 50334S

Figure 7-46. Modification Kit 152350 to Provide Keyboard Lock

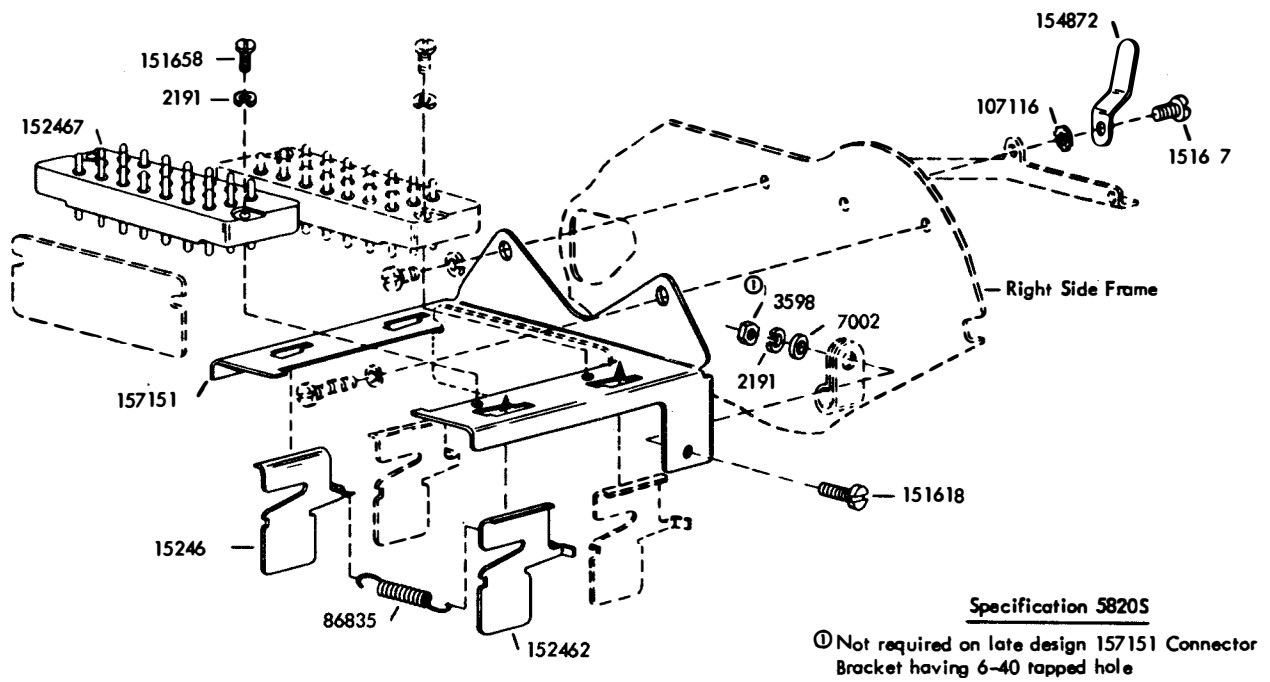
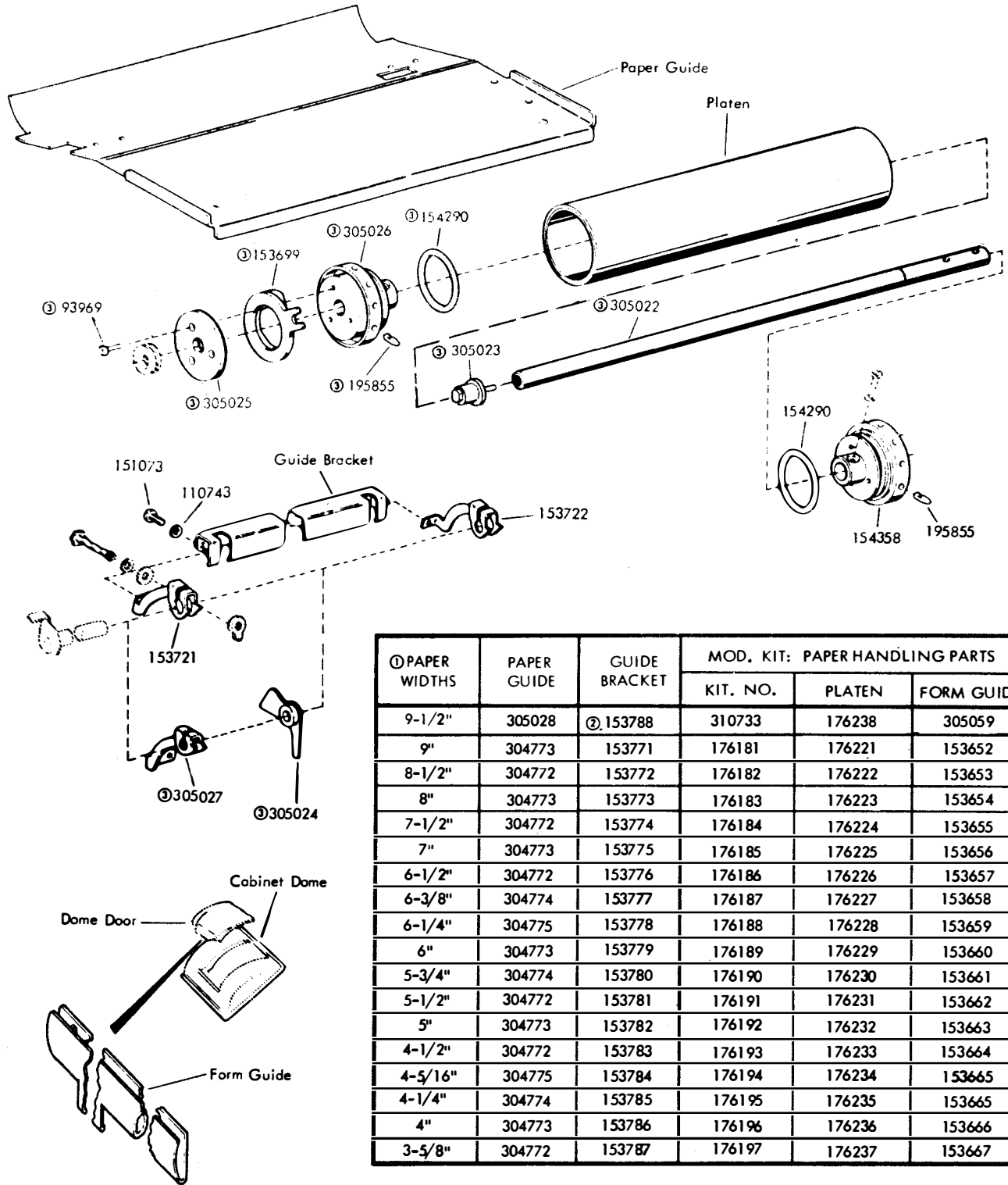


Figure 7-47. Modification Kit 153919 to Provide Auxiliary Connector

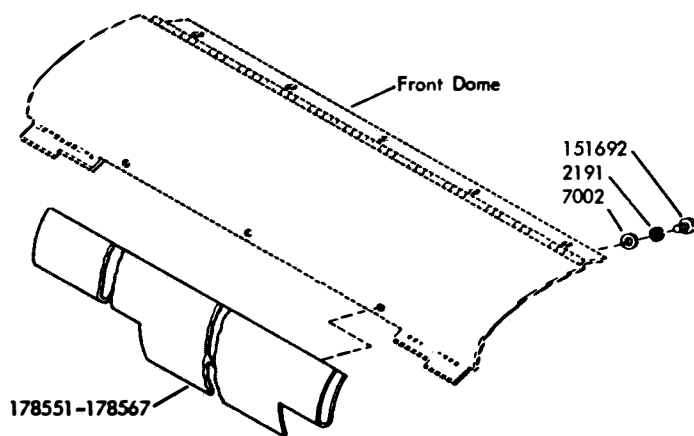
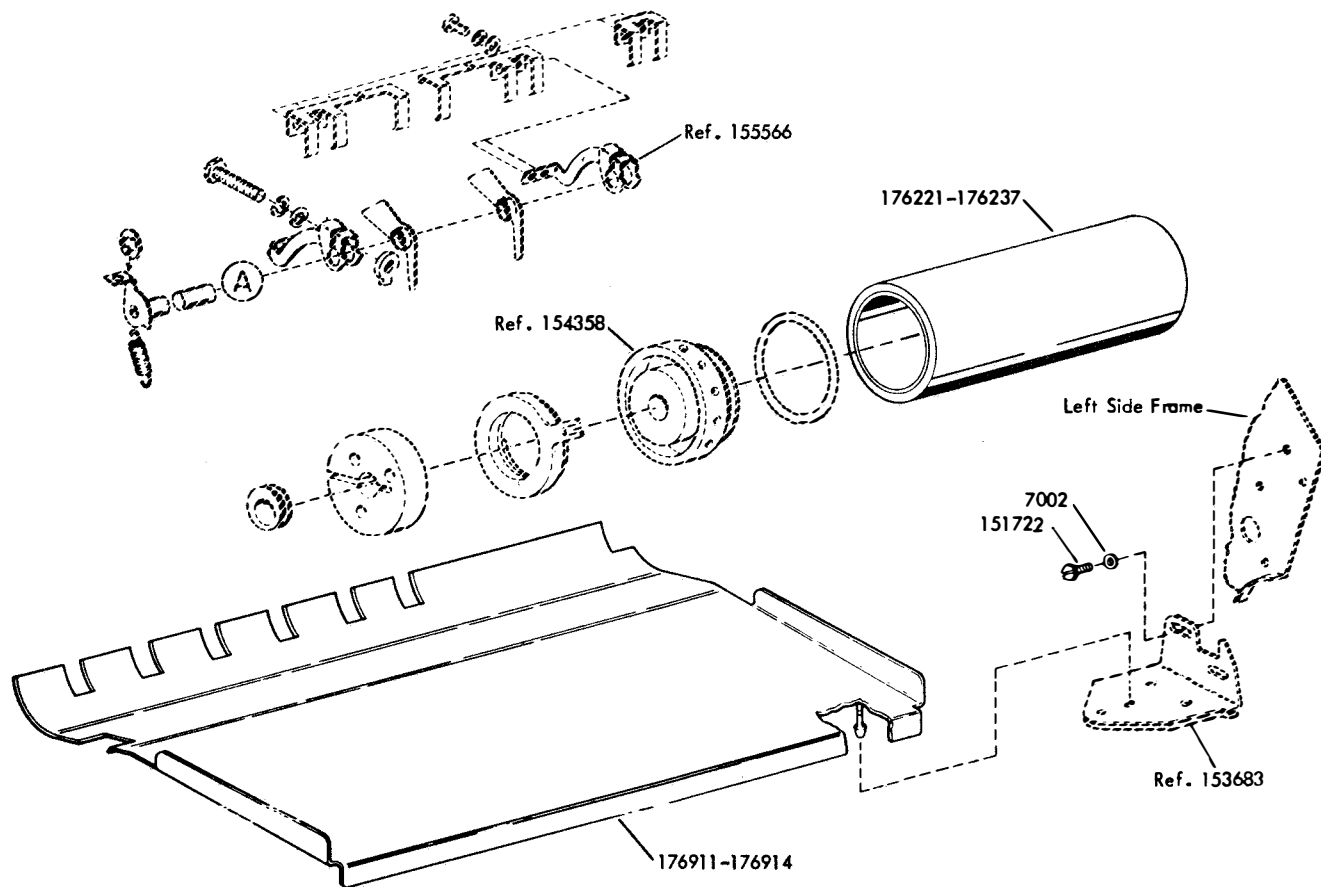


① PAPER WIDTHS	PAPER GUIDE	GUIDE BRACKET	MOD. KIT: PAPER HANDLING PARTS		
			KIT. NO.	PLATEN	FORM GUIDE
9-1/2"	305028	② 153788	310733	176238	305059
9"	304773	153771	176181	176221	153652
8-1/2"	304772	153772	176182	176222	153653
8"	304773	153773	176183	176223	153654
7-1/2"	304772	153774	176184	176224	153655
7"	304773	153775	176185	176225	153656
6-1/2"	304772	153776	176186	176226	153657
6-3/8"	304774	153777	176187	176227	153658
6-1/4"	304775	153778	176188	176228	153659
6"	304773	153779	176189	176229	153660
5-3/4"	304774	153780	176190	176230	153661
5-1/2"	304772	153781	176191	176231	153662
5"	304773	153782	176192	176232	153663
4-1/2"	304772	153783	176193	176233	153664
4-5/16"	304775	153784	176194	176234	153665
4-1/4"	304774	153785	176195	176235	153665
4"	304773	153786	176196	176236	153666
3-5/8"	304772	153787	176197	176237	153667

Specification 57925

- ① The width shown is the overall dimension of the paper, and the distance between Sprocket Pin holes is 1/2" less.
- ② The 153788 Guide Bracket is not part of the 310733 Modification Kit, and must be ordered separately
- ③ Peculiar to 310733 Modification Kit

Figure 7-48. Sprocket Feed Paper Handling Modification Kits (Typing Unit and Cabinet)

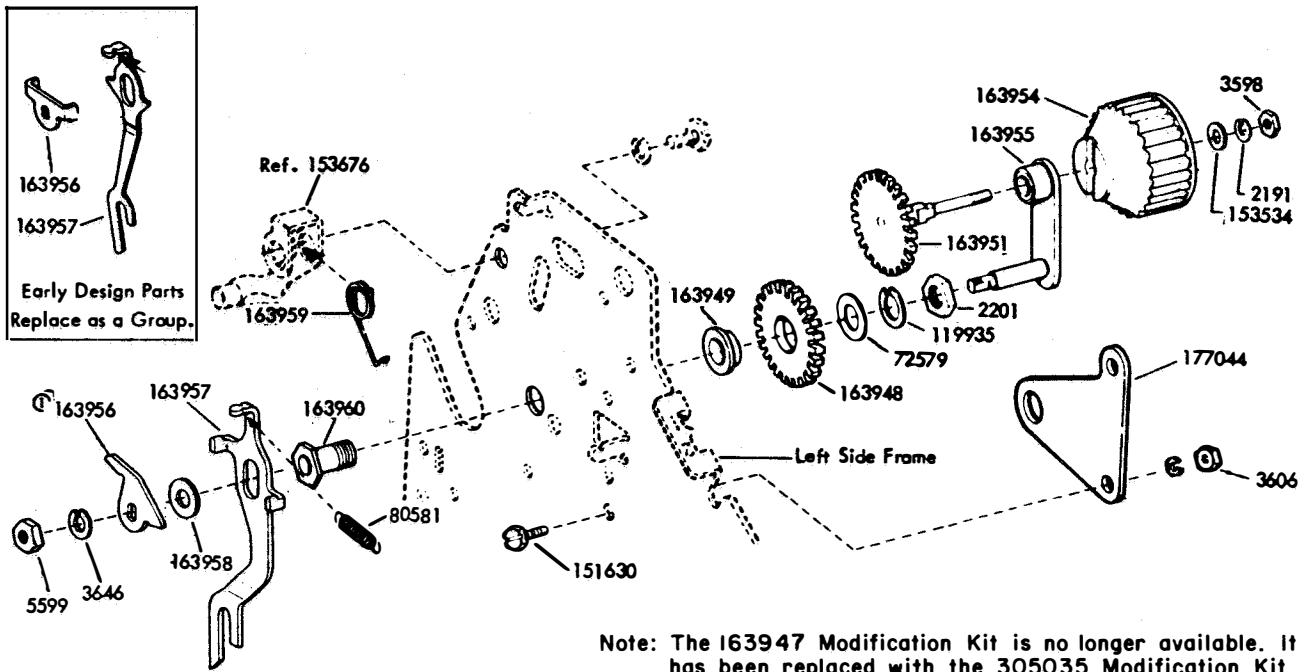


Paper Widths	Paper Guide	Mod. Kit Paper Handling Parts		
		Kit No.	Platen	Form Guide
9"	176912	178568	175221	178551
8-1/2"	176911	178569	176222	178552
8"	176912	178570	176223	178553
7-1/2"	176911	178571	176224	178554
7"	176912	178572	176225	178555
6-1/2"	176911	178573	176226	178556
6-3/8"	176913	178574	176227	178557
6-1/4"	176914	178575	176228	178558
6"	176912	178576	176229	178559
5-3/4"	176913	178577	175230	178560
5-1/2"	176911	178578	176231	178561
5"	176912	178579	176232	178562
4-1/2"	176911	178580	176233	178563
4-5/16"	176914	178581	176234	178564
4-1/4"	176913	178582	176235	178565
4"	176912	178583	176236	178566
3-5/8"	176911	178584	176237	178567

Ⓢ The width shown is the overall dimension of the paper, and the distance between Sprocket Pin holes is 1/2" less.

Specification 37925

Figure 7-49. Sprocket Feed Paper Handling Modification Kits



Note: The 163947 Modification Kit is no longer available. It has been replaced with the 305035 Modification Kit shown in Figure 7-52. No longer available. See Figure 7-52 for replacement part.

Figure 7-50. Modification Kit 163947 to Provide Improved Manual Platen Line-Feed

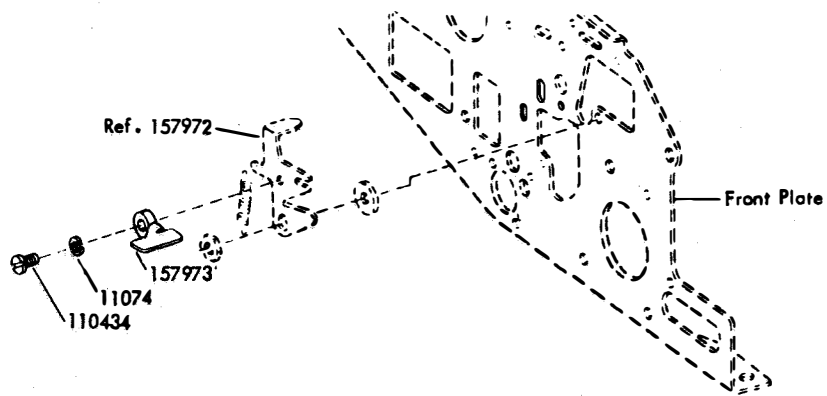
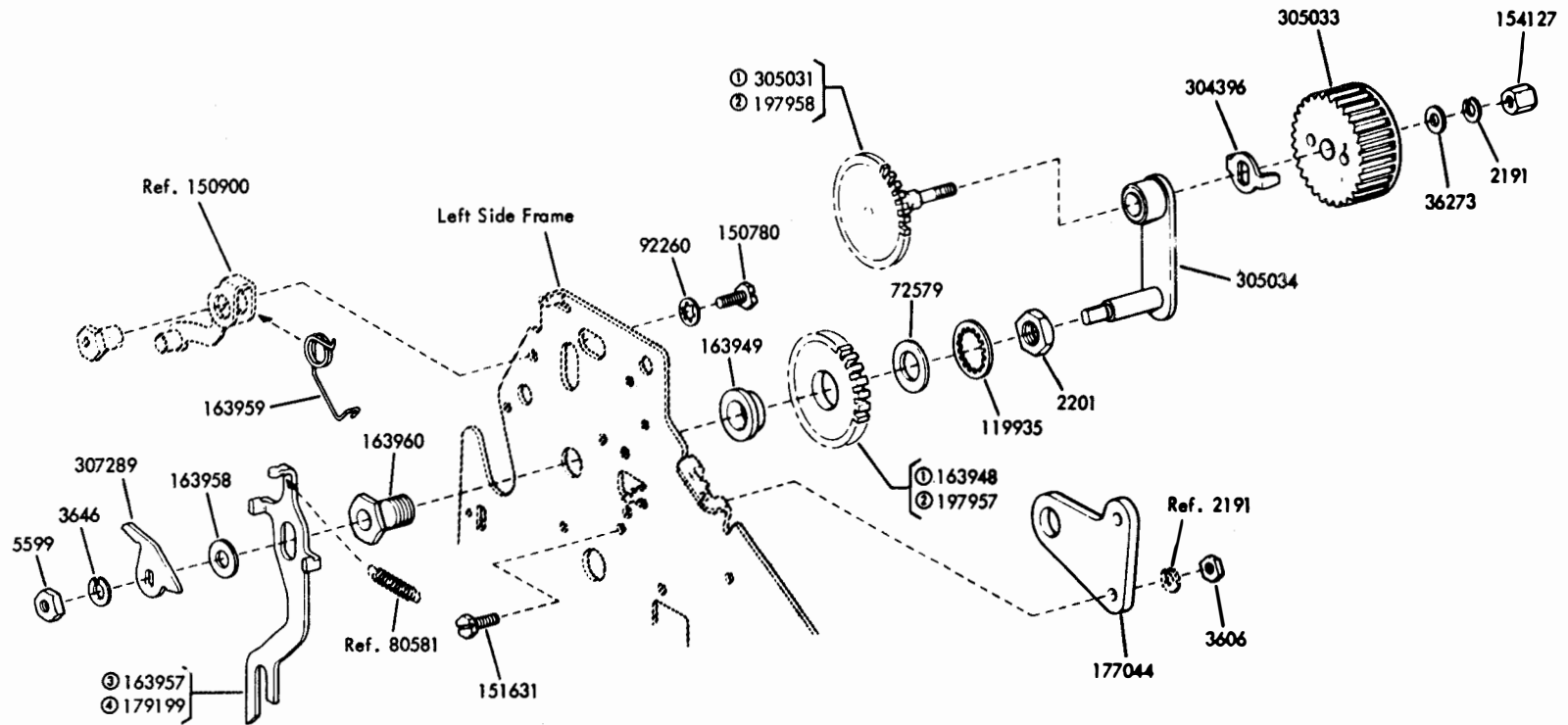


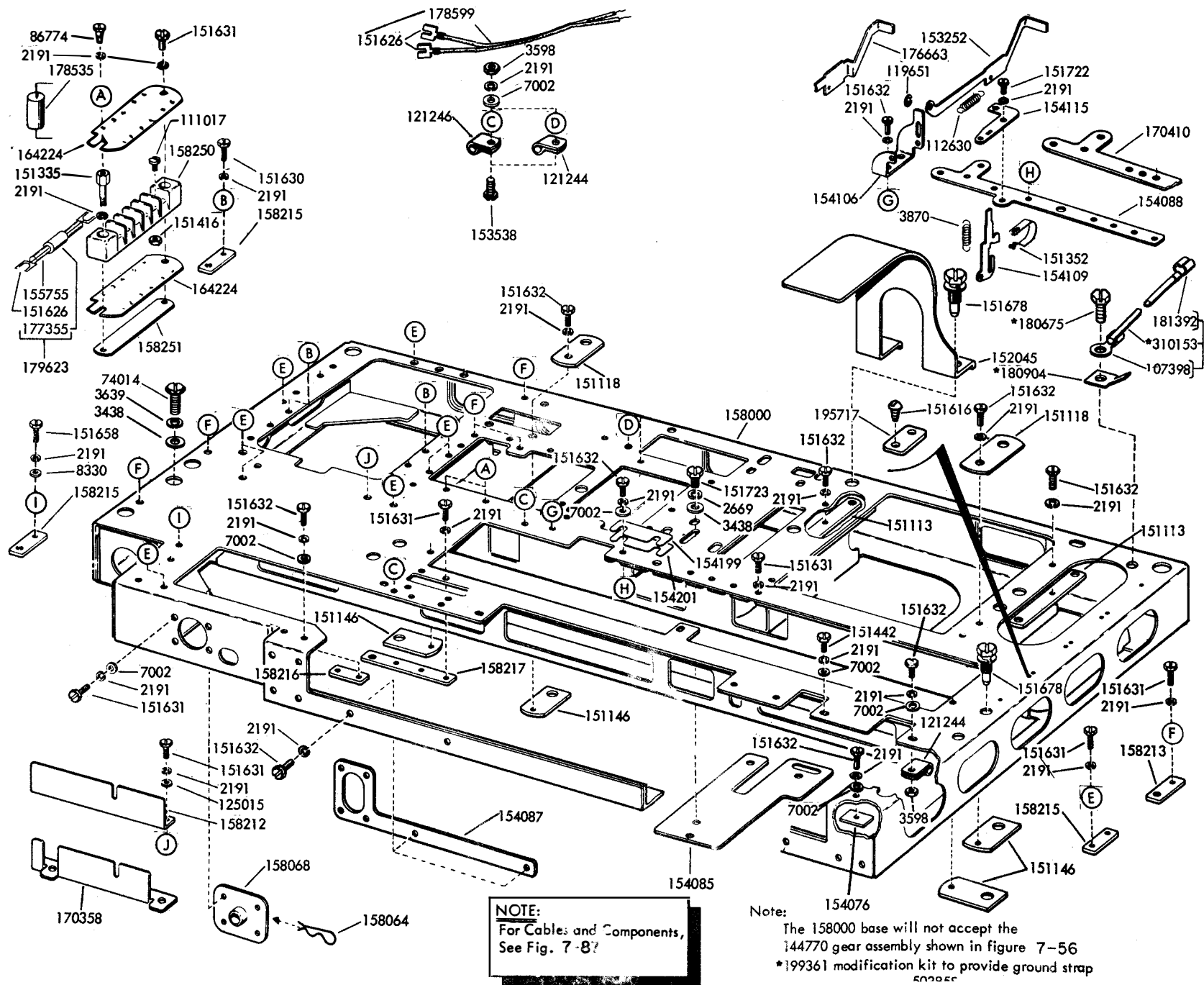
Figure 7-51. Modification Kit 157514 to Provide Automatic Carriage Return and Line-Feed



- ① 05035 (3 or 6 line feeds per inch) and 307065 (4 or 8 line feeds per inch) Modification Kits for Sprocket Feed Printers.
- ② 305036 (3 or 6 line feeds per inch) Modification Kit for Friction Feed Printers.
- ③ Black oxide coated - part of 305035 and 307065 Modification Kits (for Sprocket Feed Printers)
- ④ Nickel plated - part of 305036 Modification Kit (for Friction Feed Printers)

Figure 7-52. Modification Kits 305035, 305036 and 307065 to Provide Improved Manual Platen Line-Feed

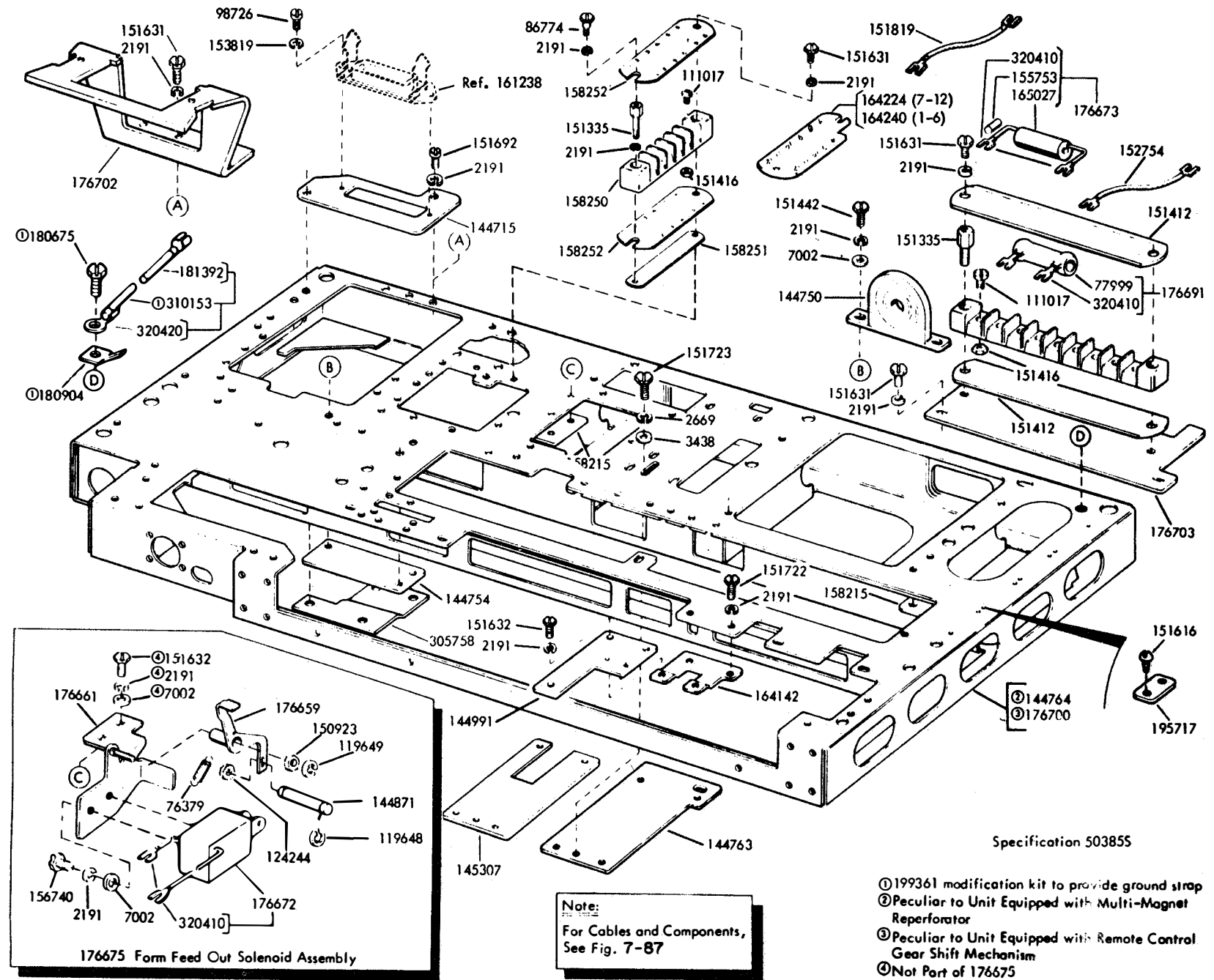
Figure 7-53. Keyboard Base Parts (Sheet 1 of 2)



NOTE:
For Cables and Components,
See Fig. 7-8?

Note:
The 158000 base will not accept the
144770 gear assembly shown in figure 7-56
*199361 modification kit to provide ground strap

Figure 7-53. Keyboard Base Parts (Sheet 2 of 2)



176675 Form Feed Out Solenoid Assembly

① 151632
② 2191
③ 7002

176661
176659
150923
119649
76379
144871
119648
124244
156740
2191
7002
320410
176672

Note:
For Cables and Components,
See Fig. 7-87

- Specification 503855
- ① 199361 modification kit to provide ground strap
 - ② Peculiar to Unit Equipped with Multi-Magnet Reperator
 - ③ Peculiar to Unit Equipped with Remote Control Gear Shift Mechanism
 - ④ Not Part of 176675

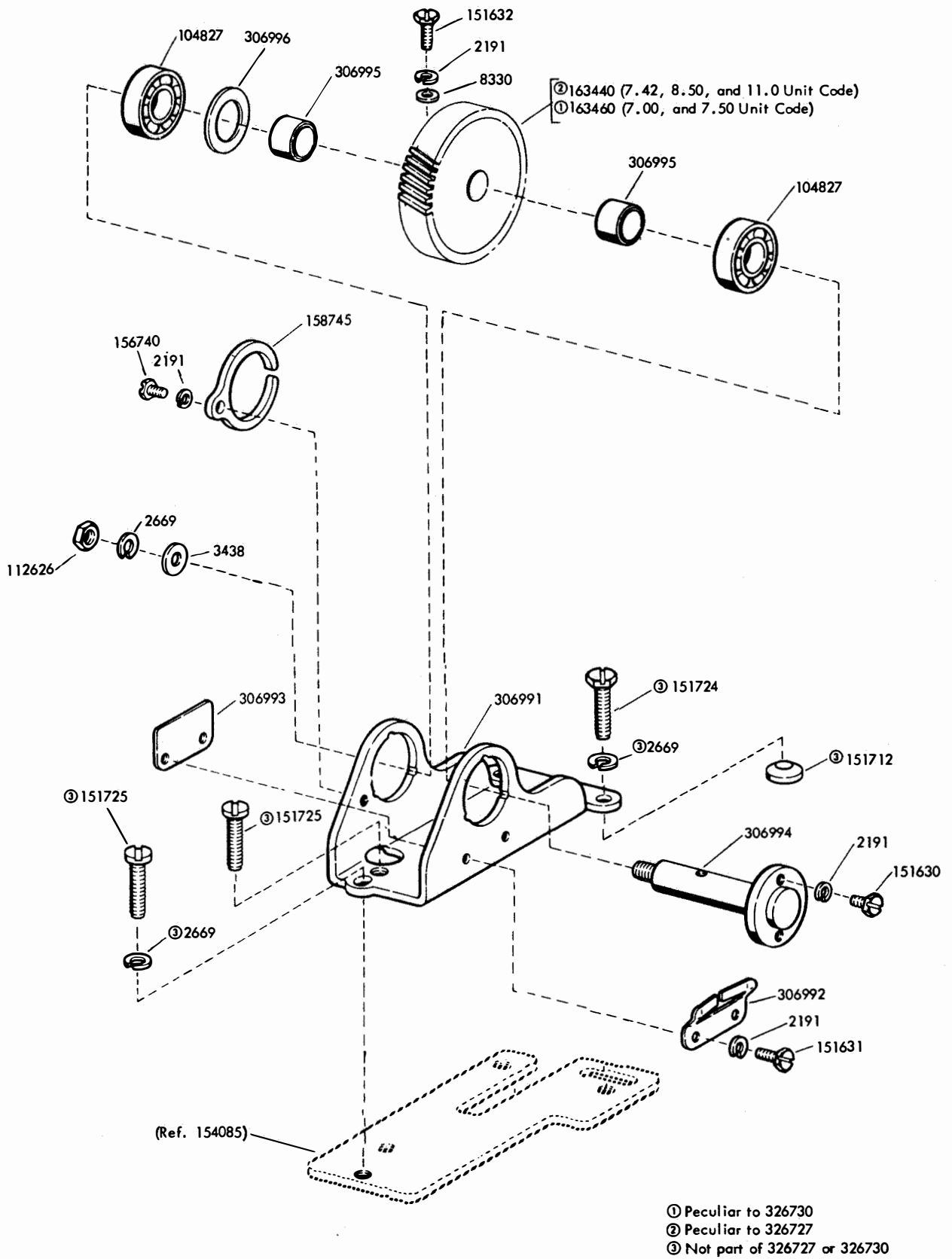


Figure 7-54. Intermediate Gear Assemblies 326727 and 326730

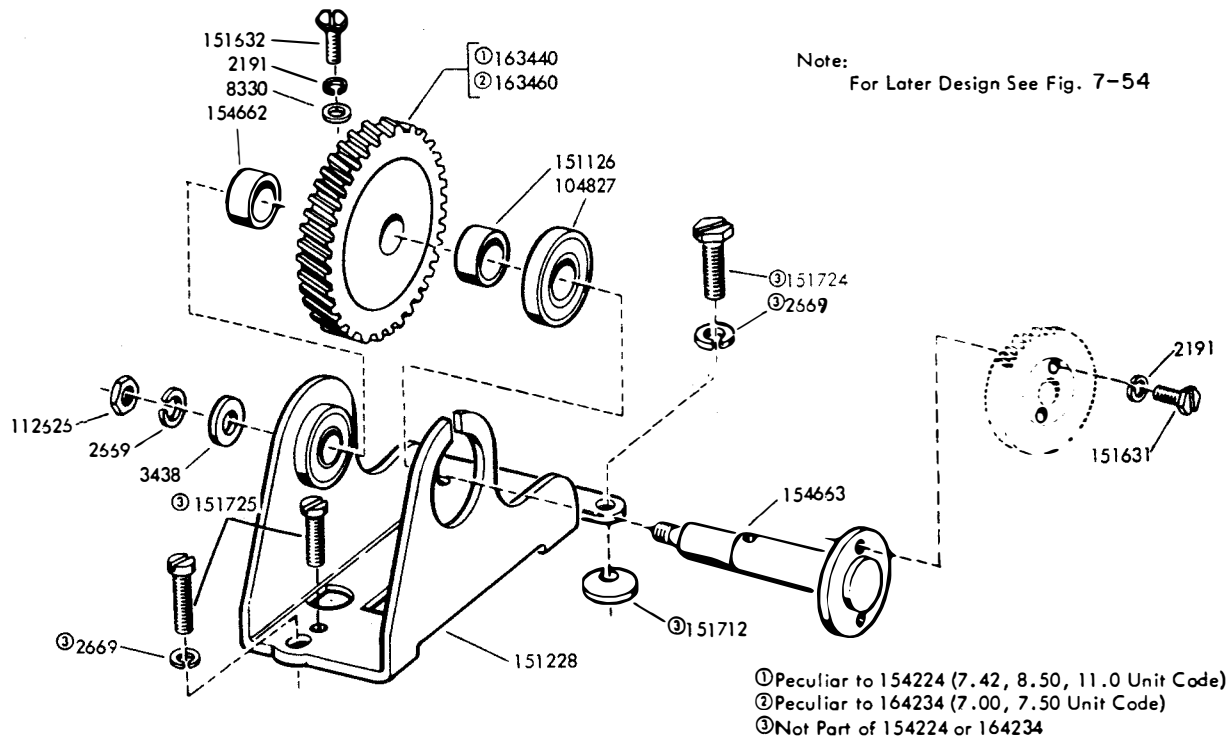


Figure 7-55. Intermediate Gear Assemblies 154224 and 164234, Early Design

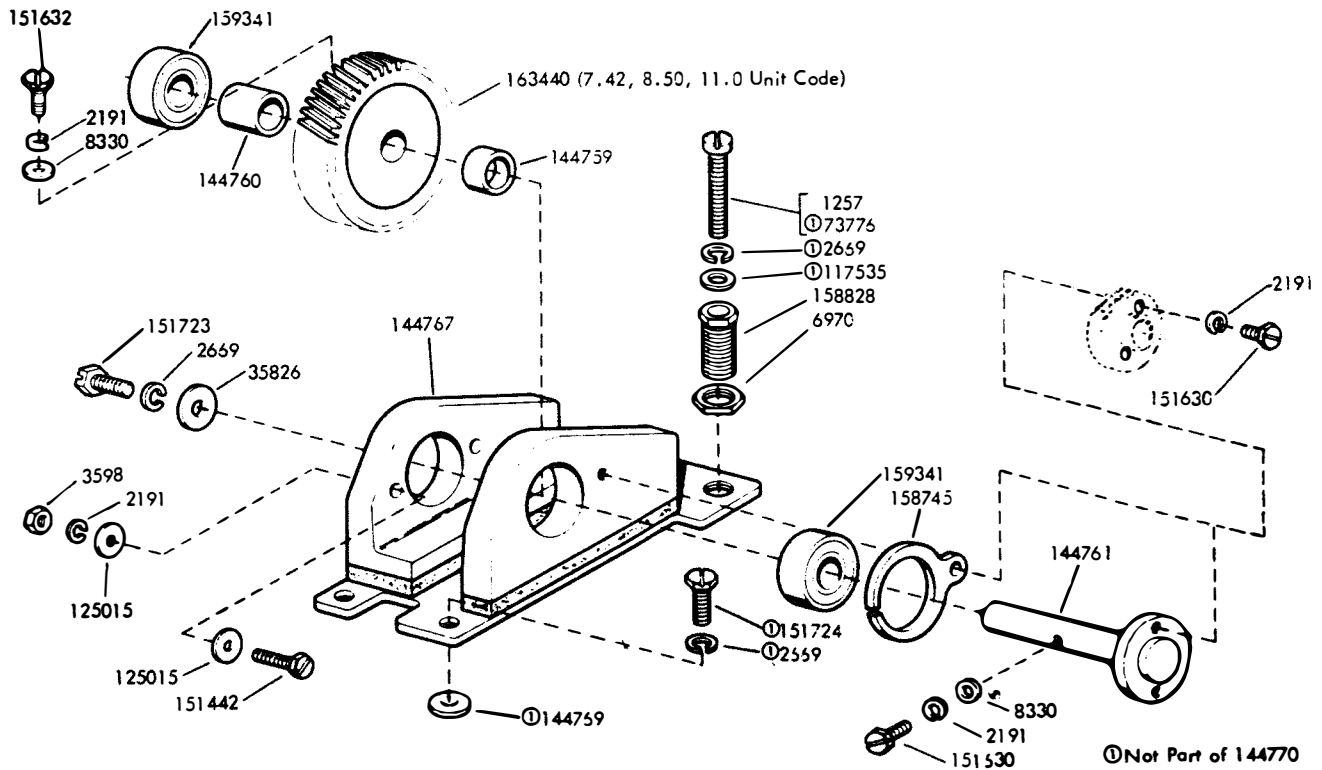


Figure 7-56. Intermediate Gear Assembly 144770 (Noise Reduction)

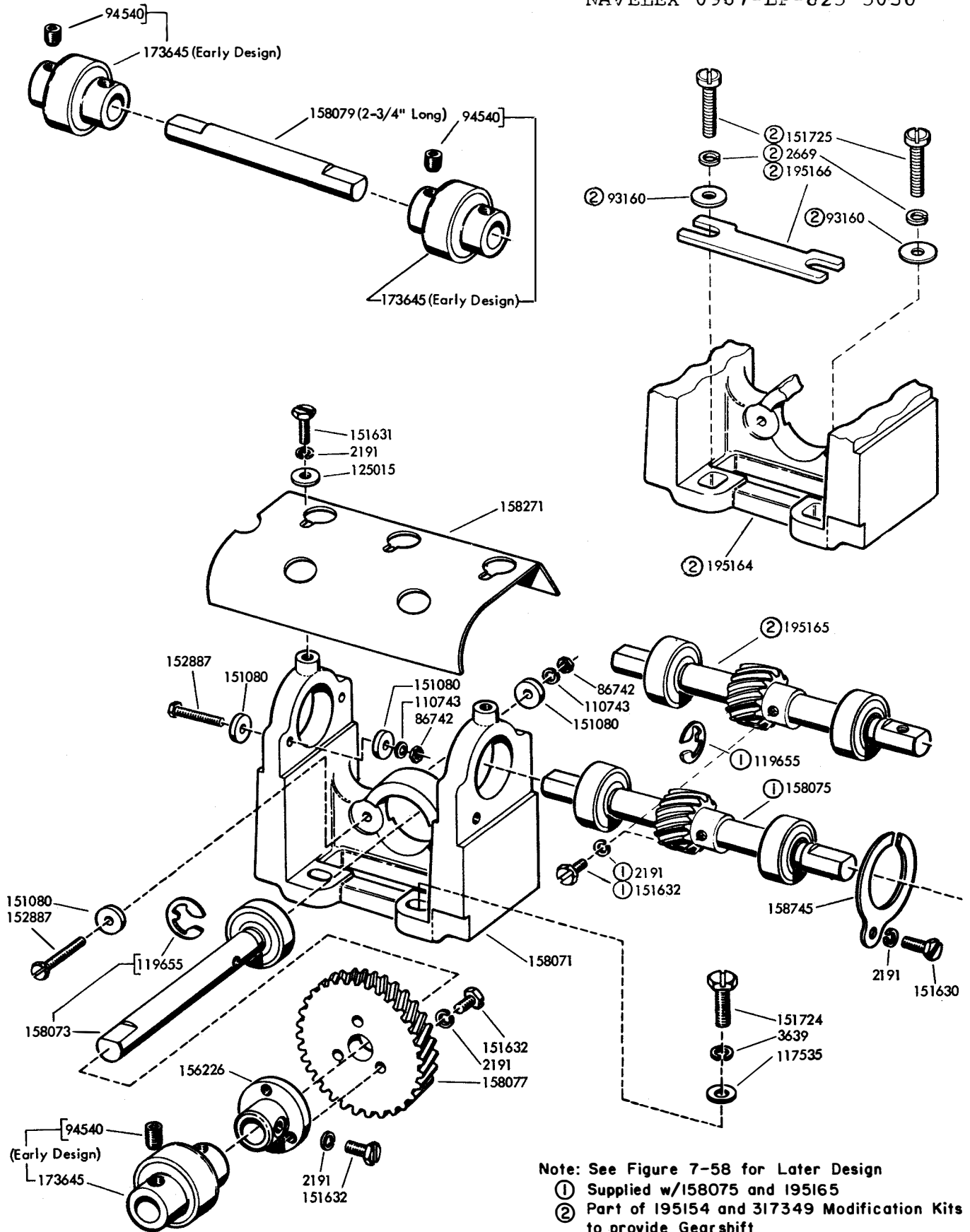
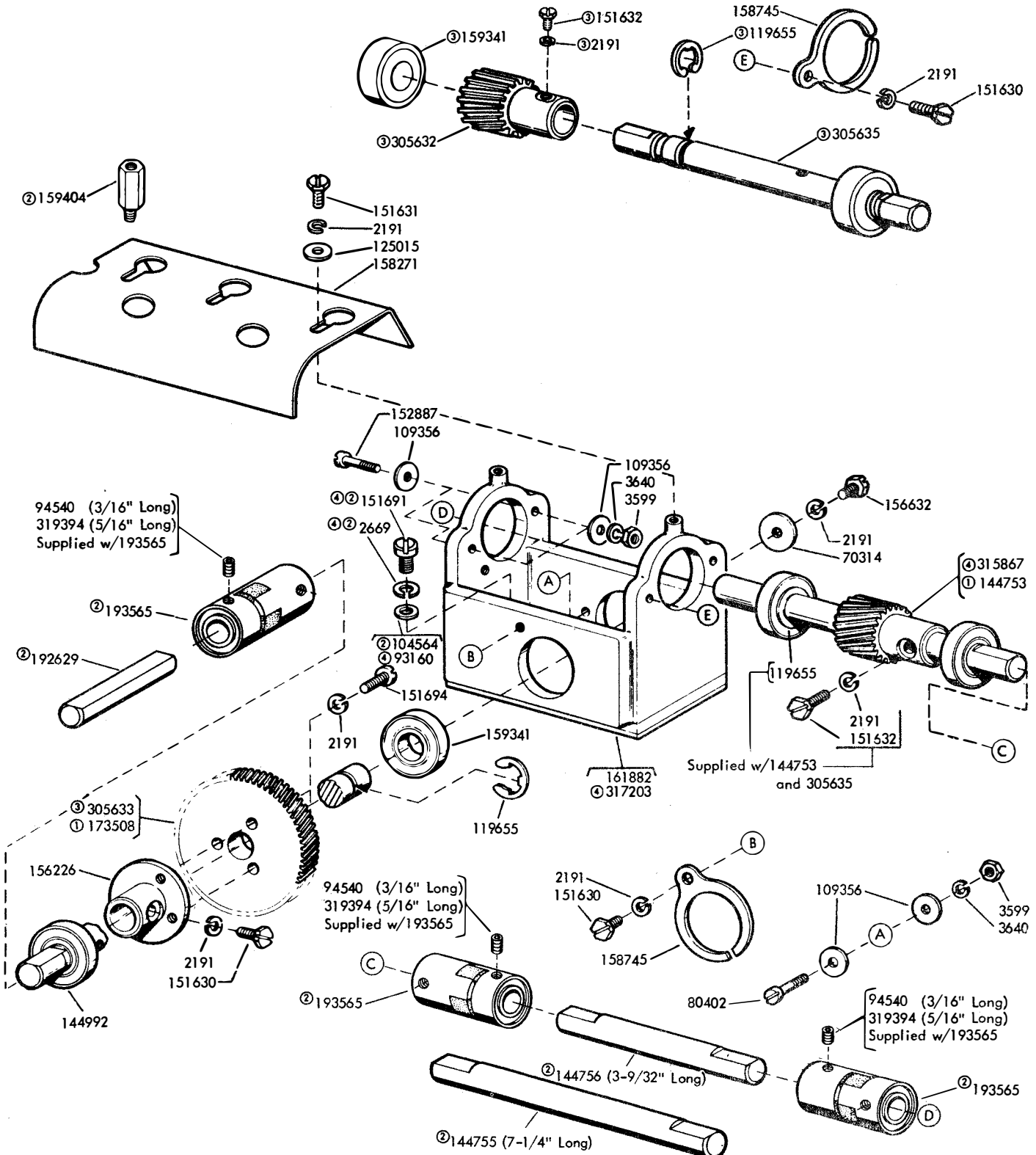


Figure 7-57. Bearing Bracket Mechanism, Early Design



- ① 144749 for units operating on 60 hertz current (motor speed 3600 rpm)
- ② Not part of 144749 and 305634 Bearing Bracket Assemblies
- ③ 305634 for units operating on 50 hertz current (motor speed 3000 rpm)
- ④ Part of 311676 and 317202 Modification Kits to Provide Gearshift

Figure 7-58. Bearing Bracket Assemblies 144749 and 305634

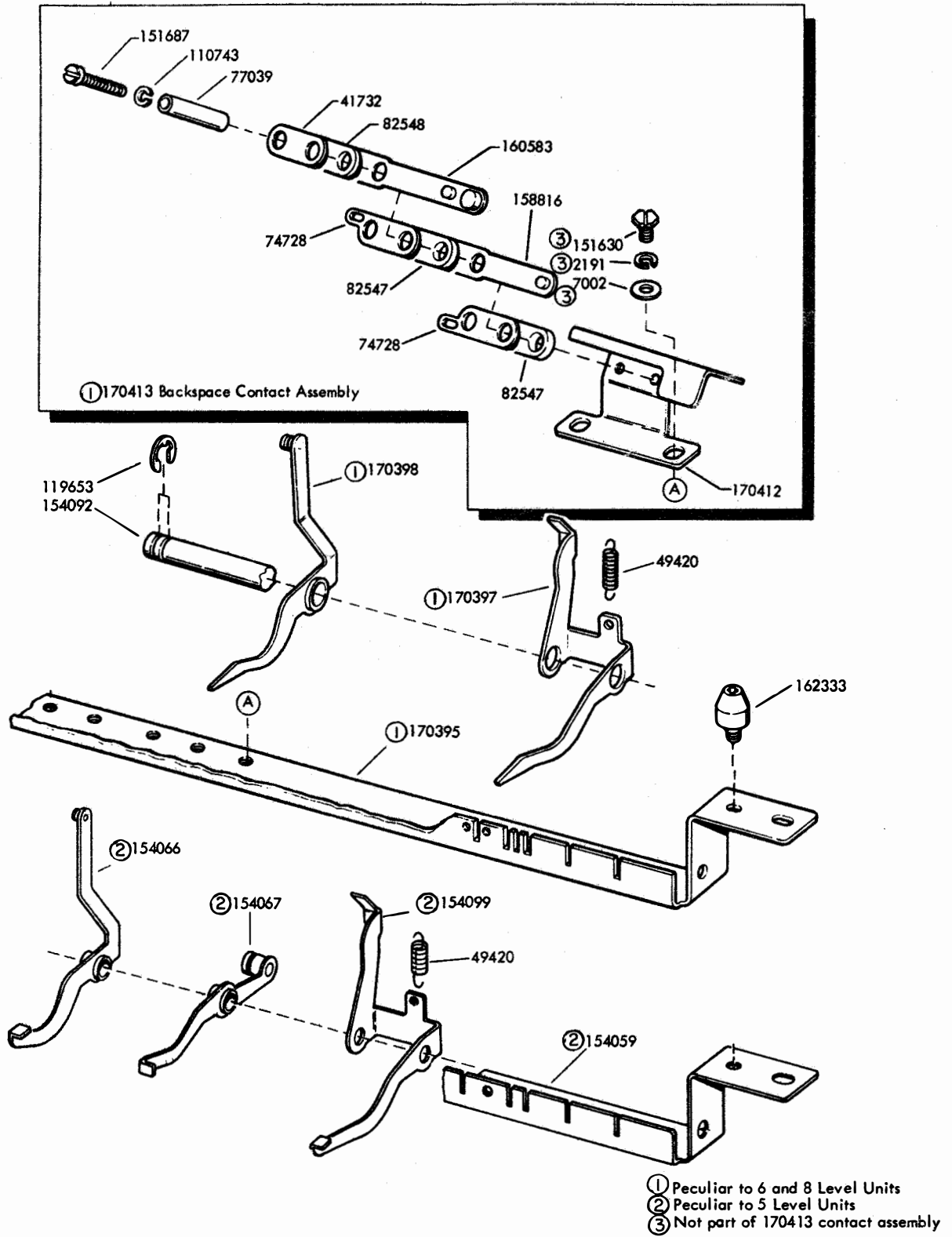
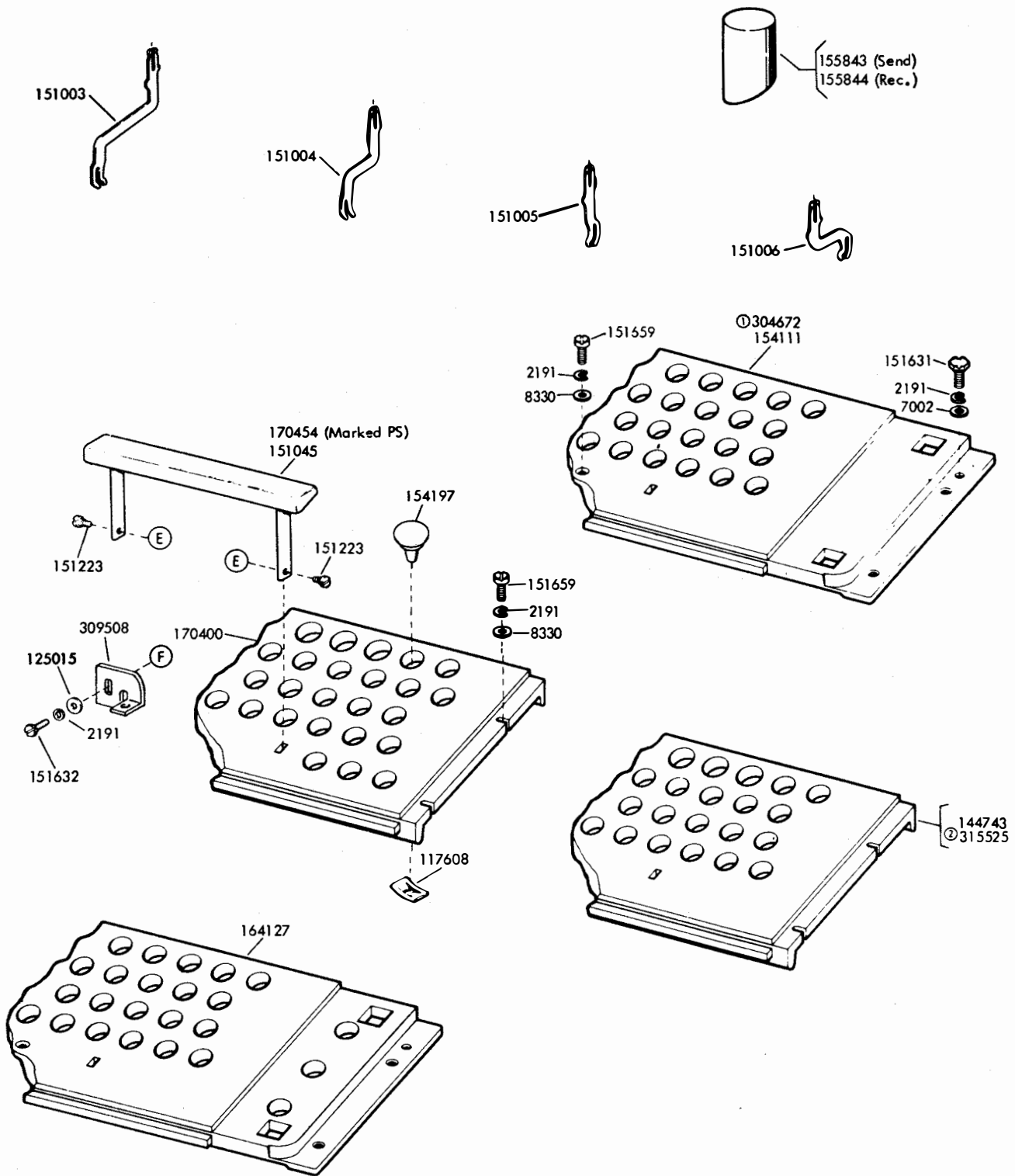


Figure 7-59. Function Bail Mechanism



① Top Row Oversized to Accept Keytops Shown on Fig. 7-76
② Accepts Label Set on Left Hand Side.

Figure 7-60. Keylever Guideplates (Sheet 1 of 2)

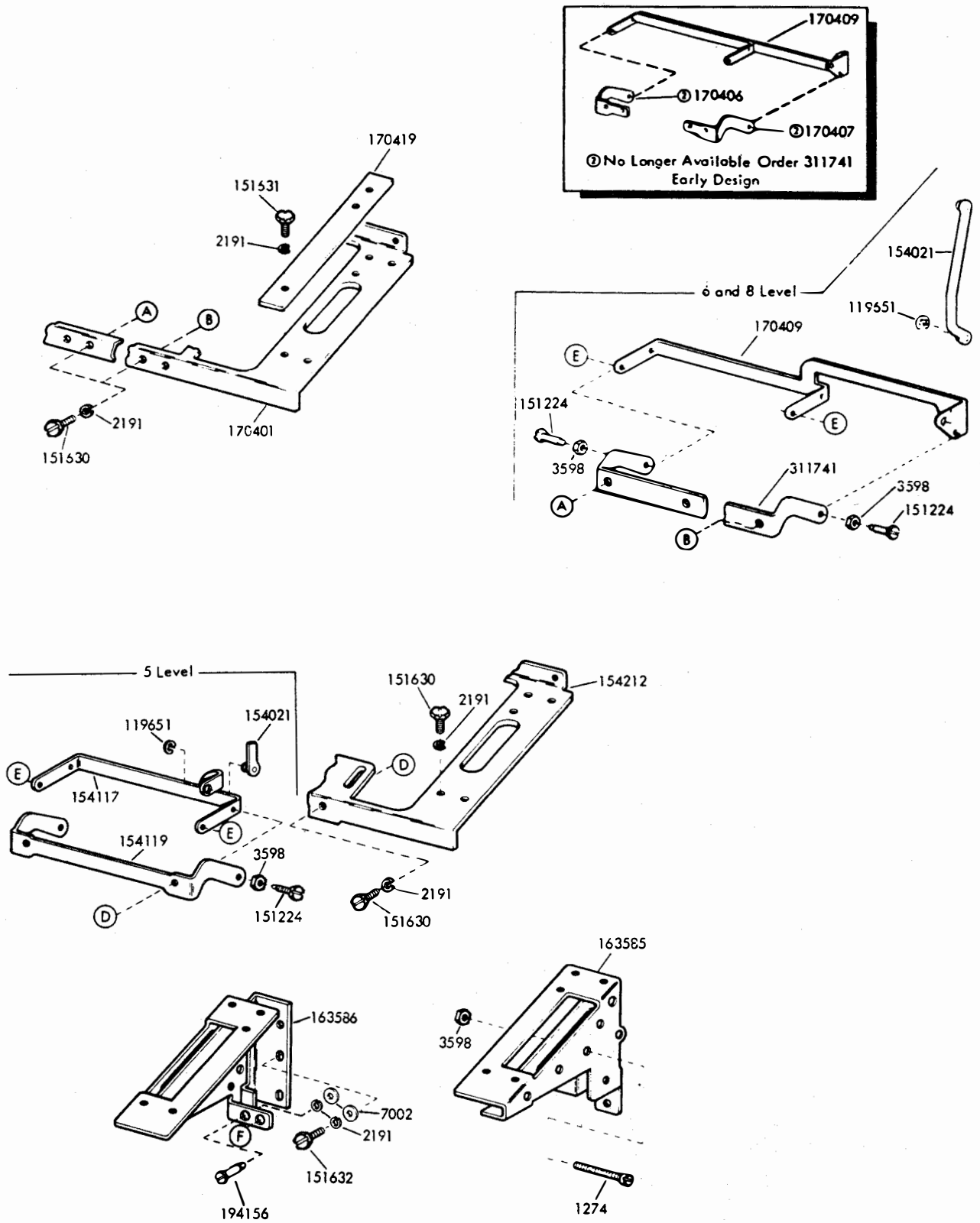


Figure 7-60. Keylever Guideplates (Sheet 2 of 2)

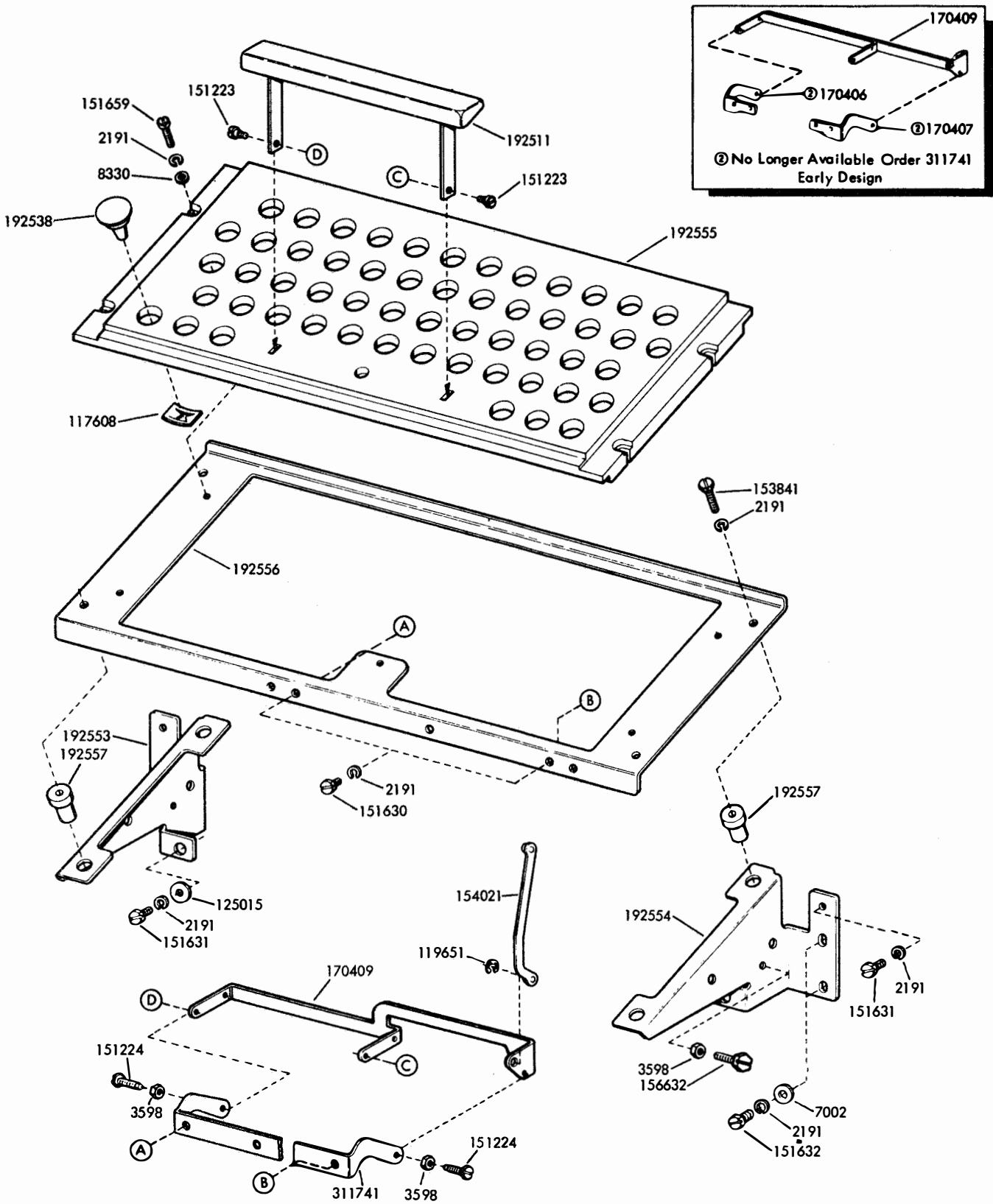


Figure 7-61. Keyboard Mechanism

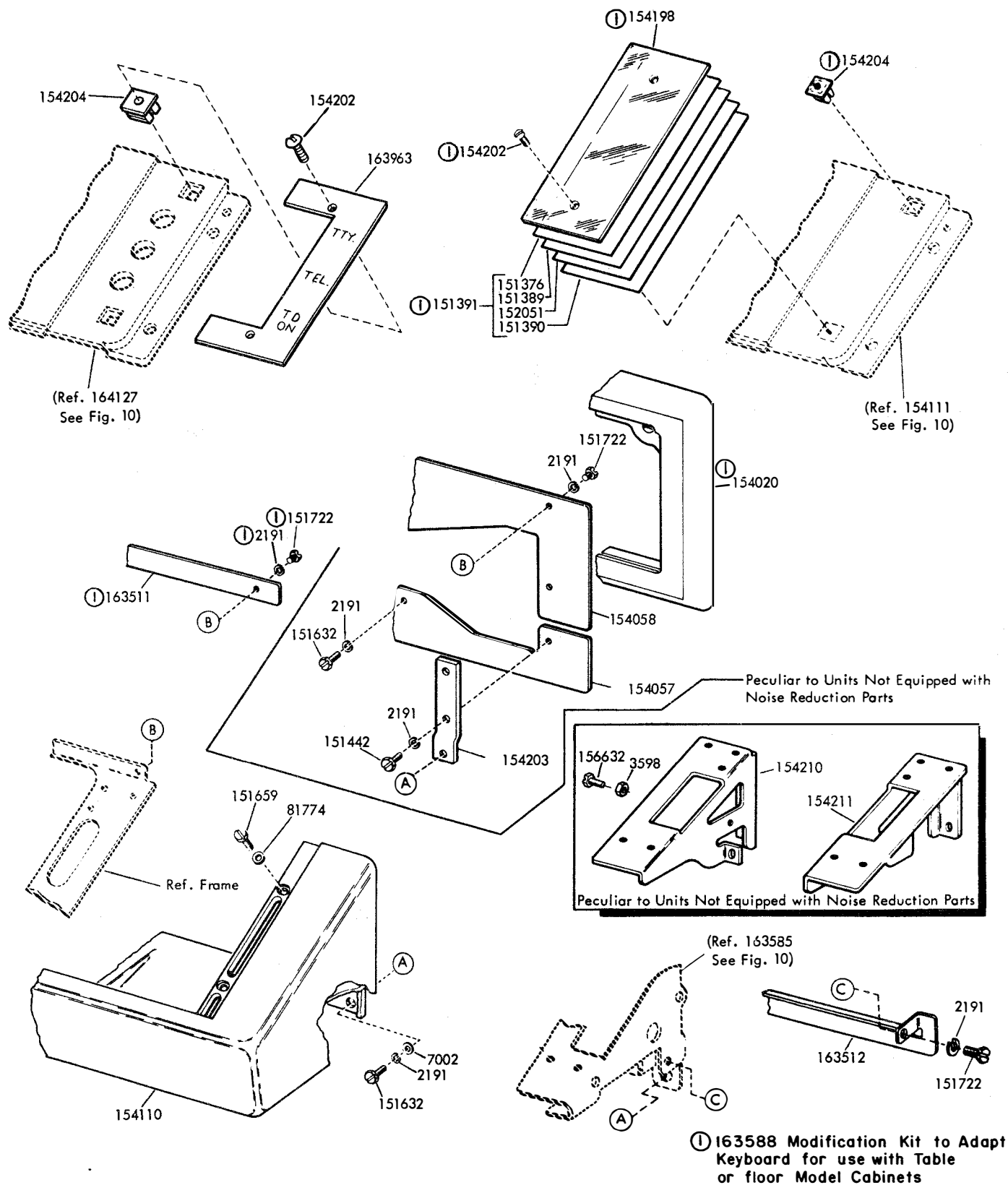


Figure 7-62. Keyboard Hock and Mounting Parts

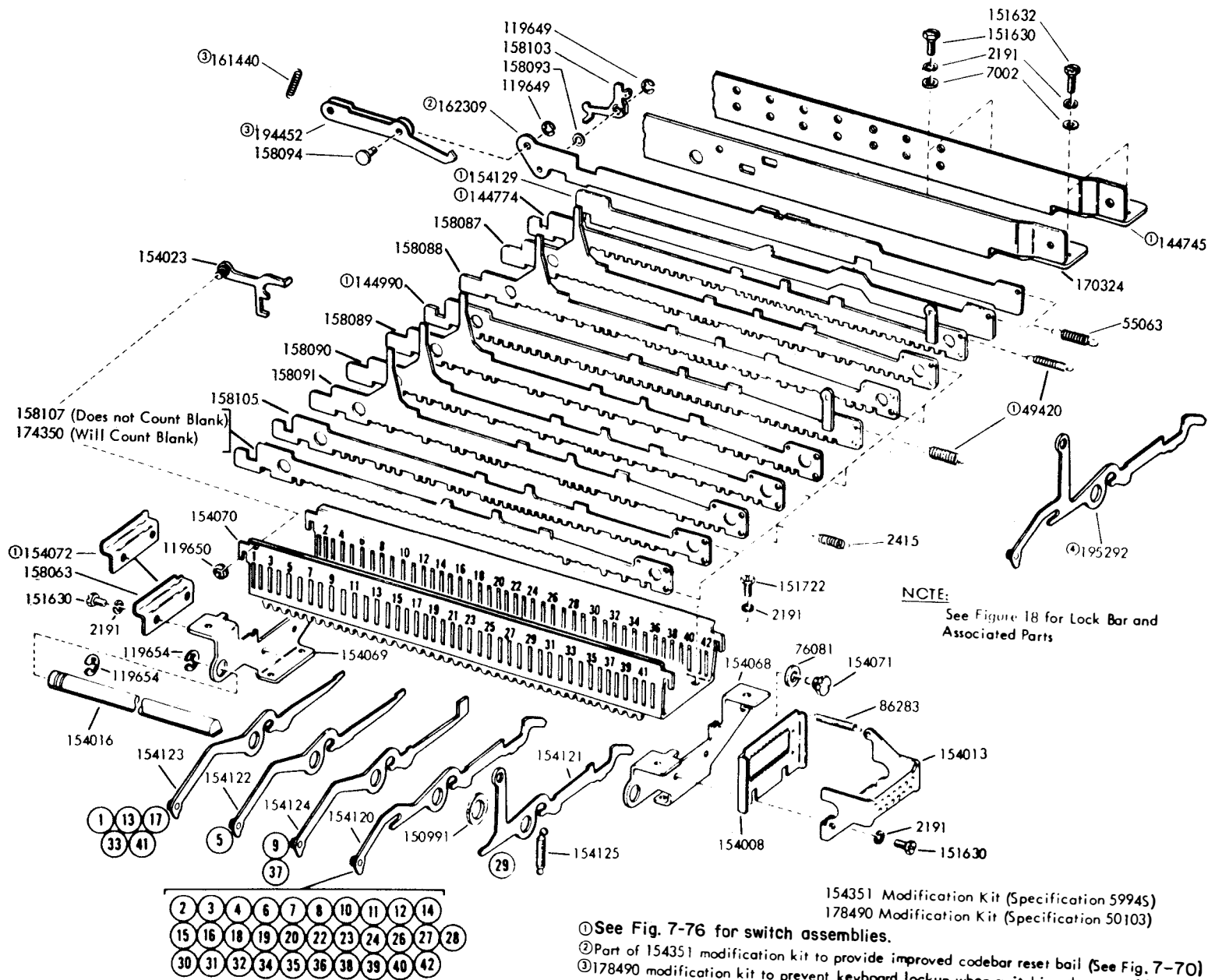


Figure 7-63. Code Bar Mechanism (5-Level)

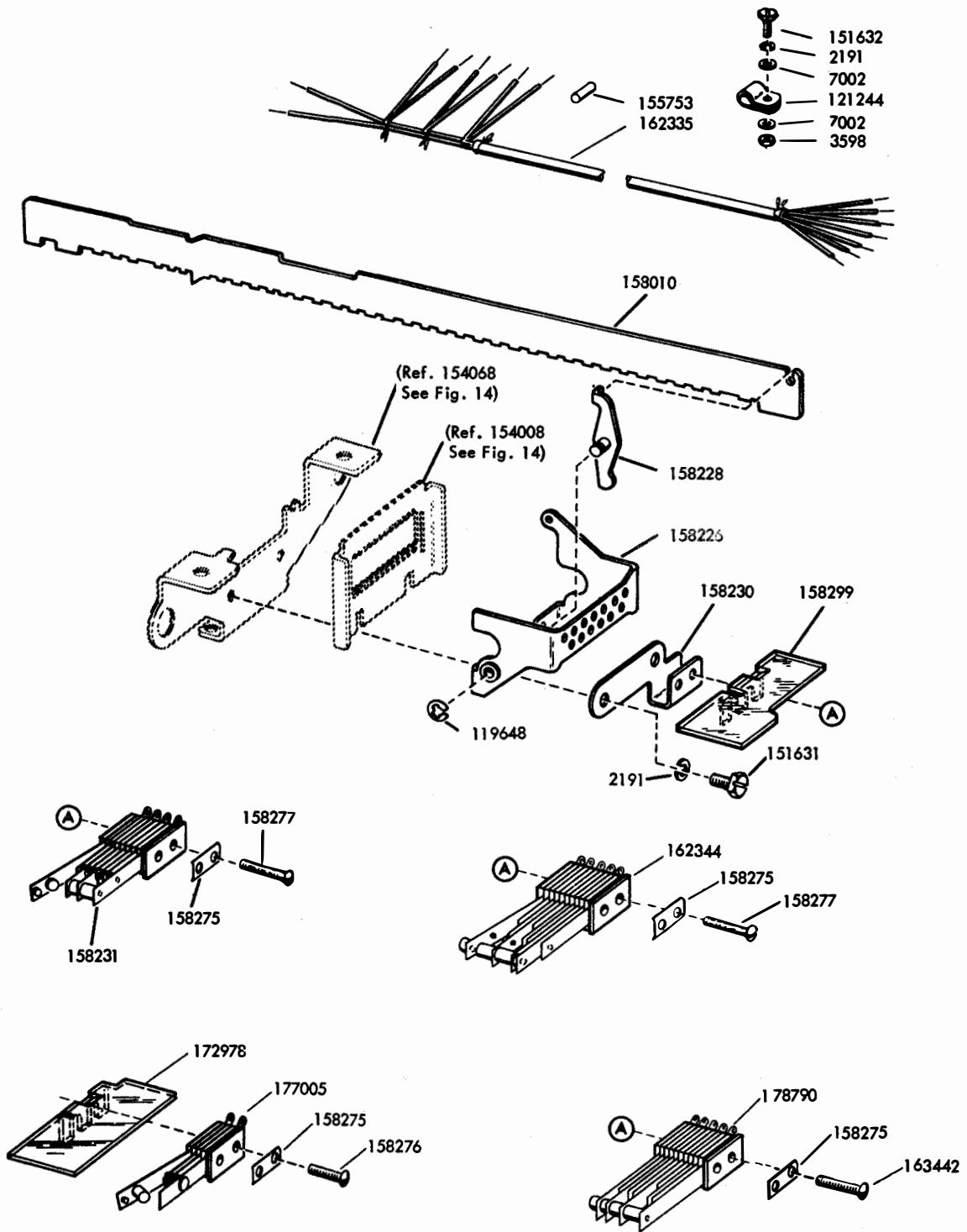
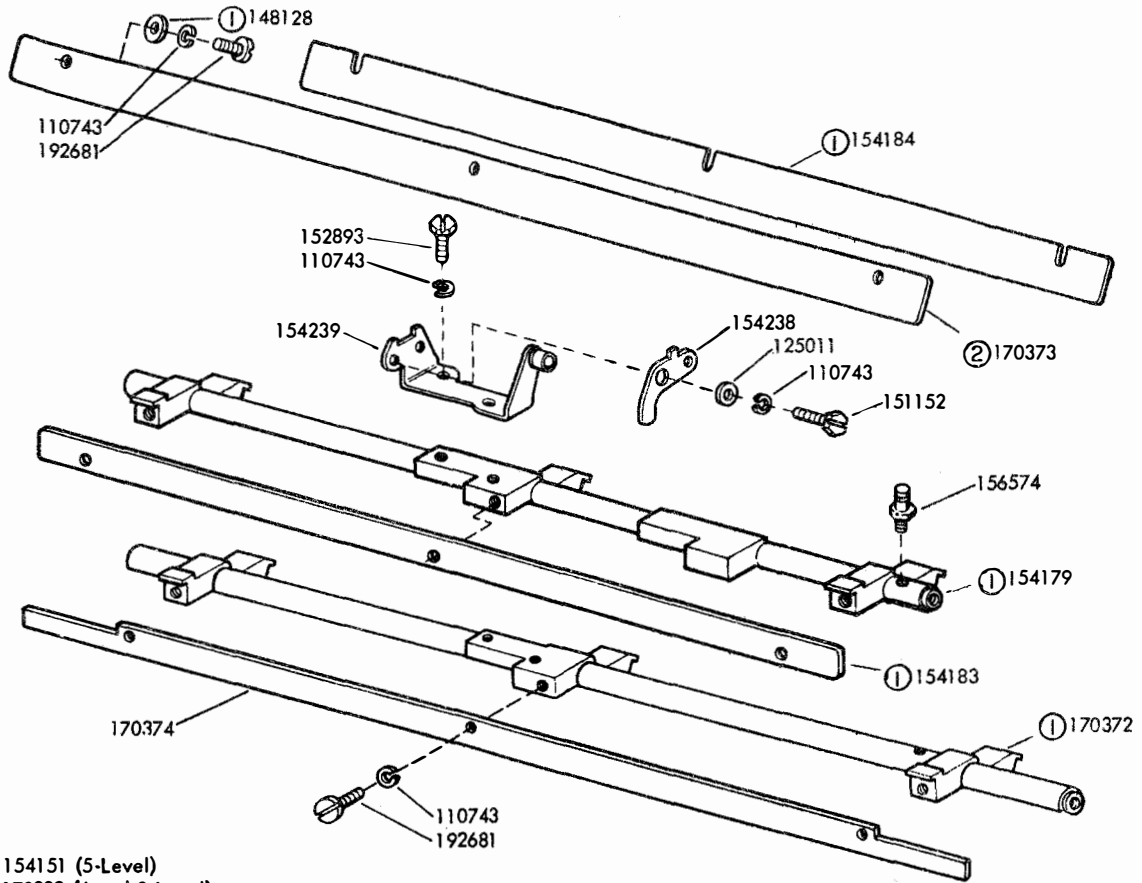


Figure 7-64. Contact Assemblies



- ① Peculiar to 154151 (5-Level)
- ② Peculiar to 170332 (6-and 8-Level)

Figure 7-65. Universal Bail Assemblies 154151 and 170332

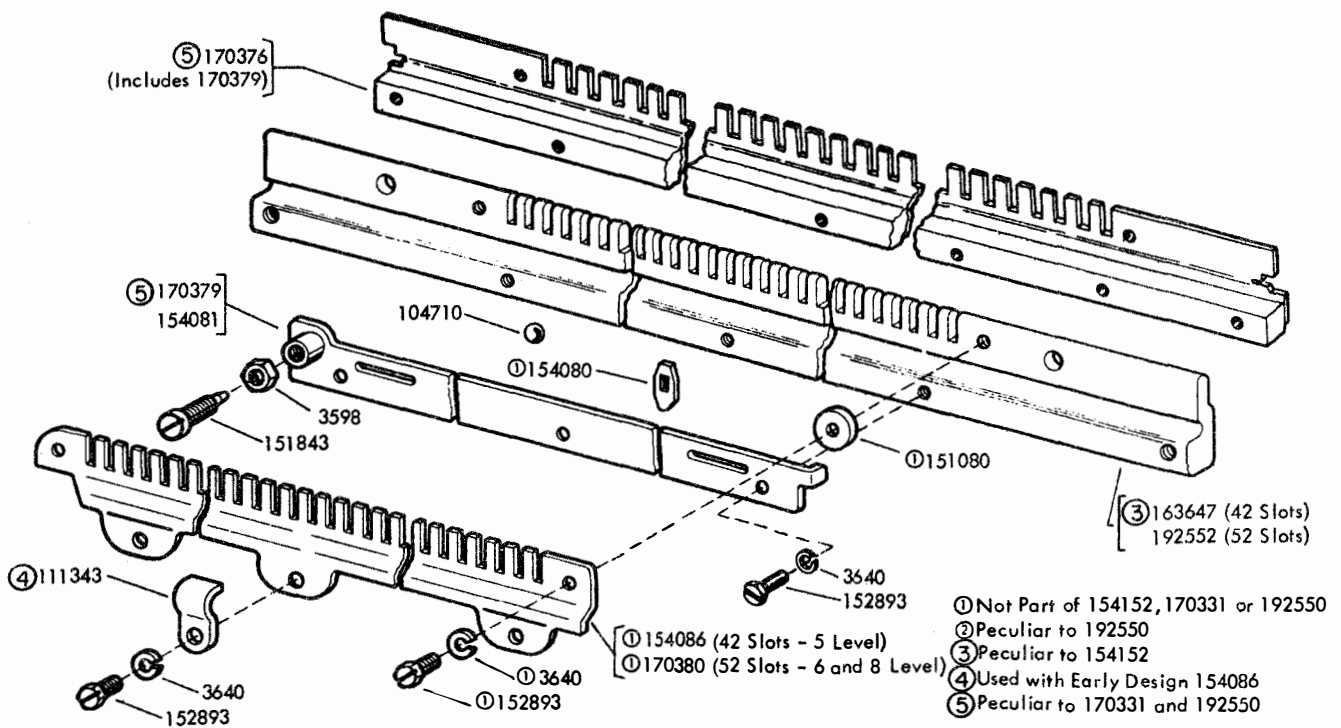


Figure 7-66. Lockbar Assemblies 154152 (5-Level), 170331 (6- and 8-Level) and 192550 (5-Level)

SIGNAL GENERATOR SHAFT ASSEMBLY	CAM SLEEVE ASSEMBLY	GEAR SLEEVE ASSEMBLY	UNIT CODE
154163	154154	154032	7.42
164349	311451	163519	7.00
170099	170098	154032	8.50
170334	178142	154032	11.00
178785	178795	178787	7.50

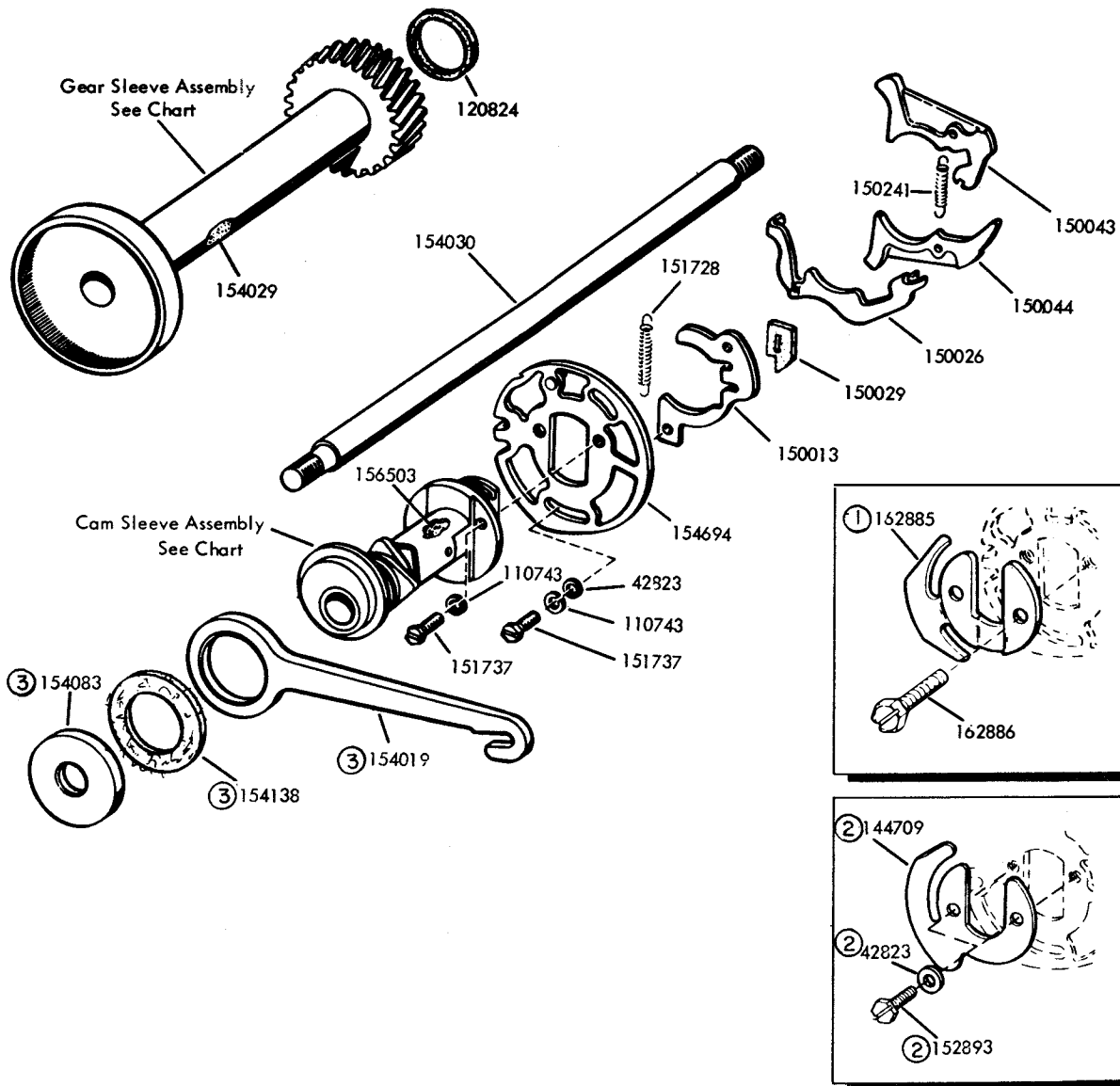


Figure 7-68. Signal Generator Shaft Assemblies

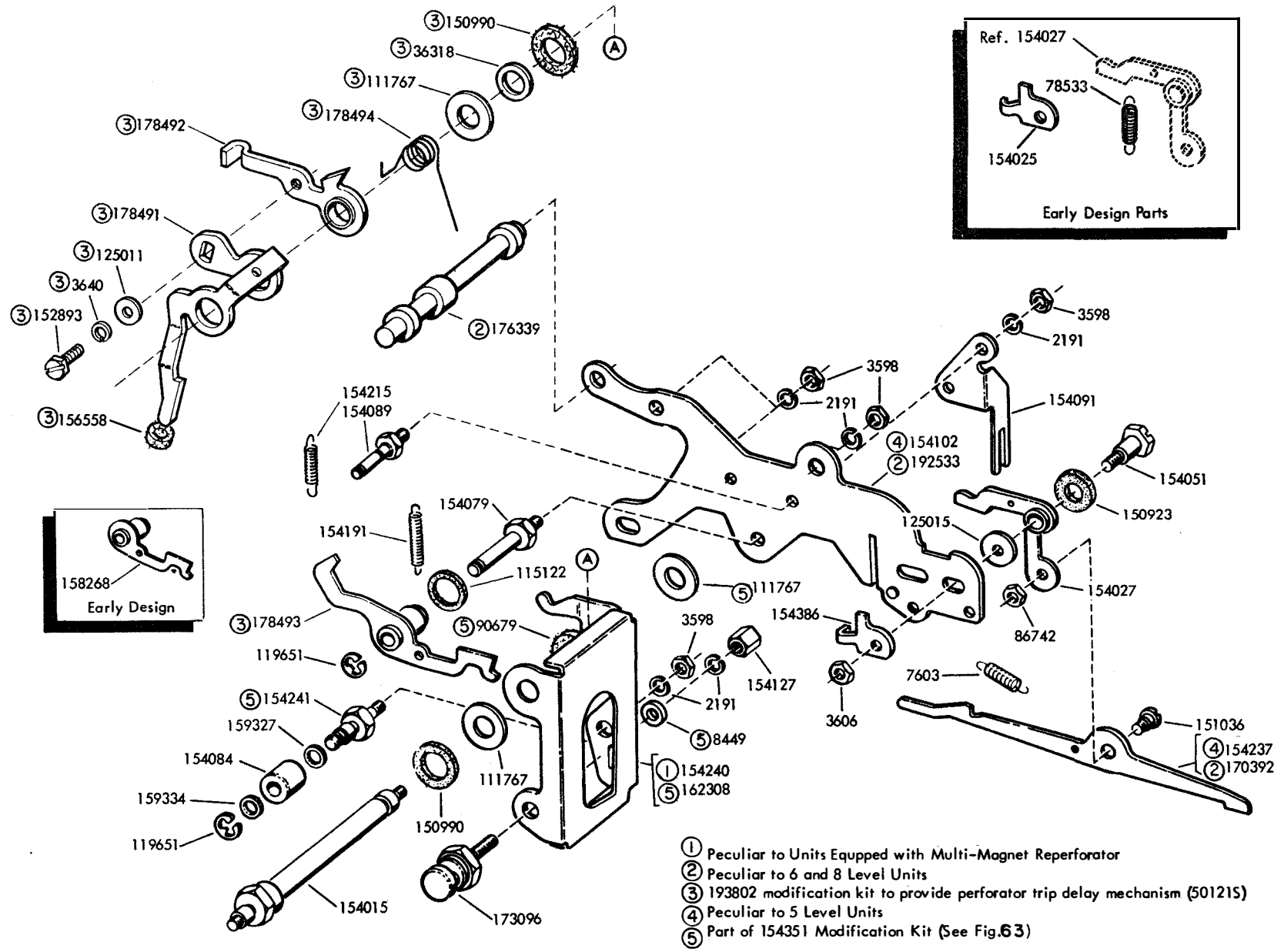


Figure 7-70. Signal Generator Rear Plate Mechanism

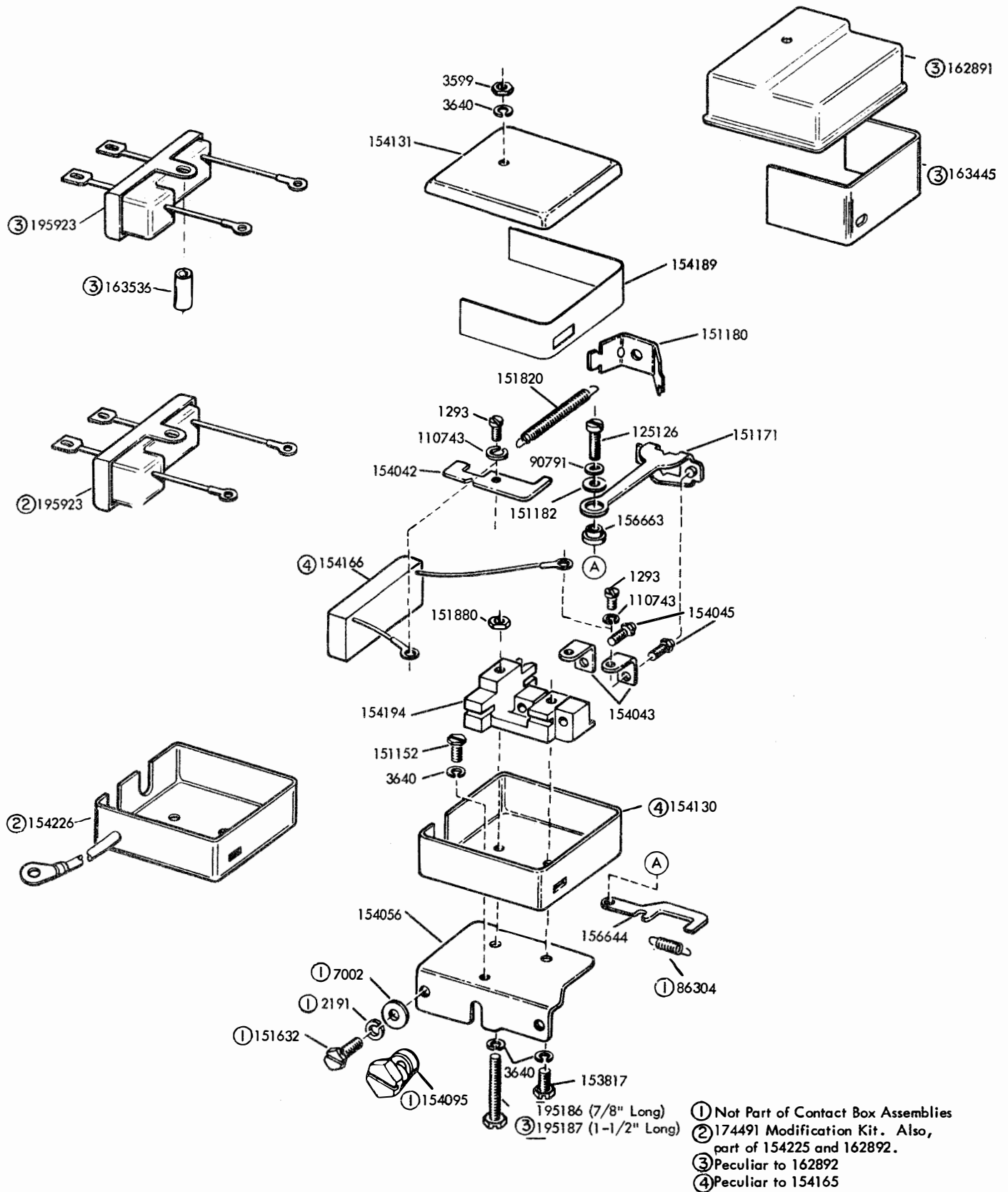
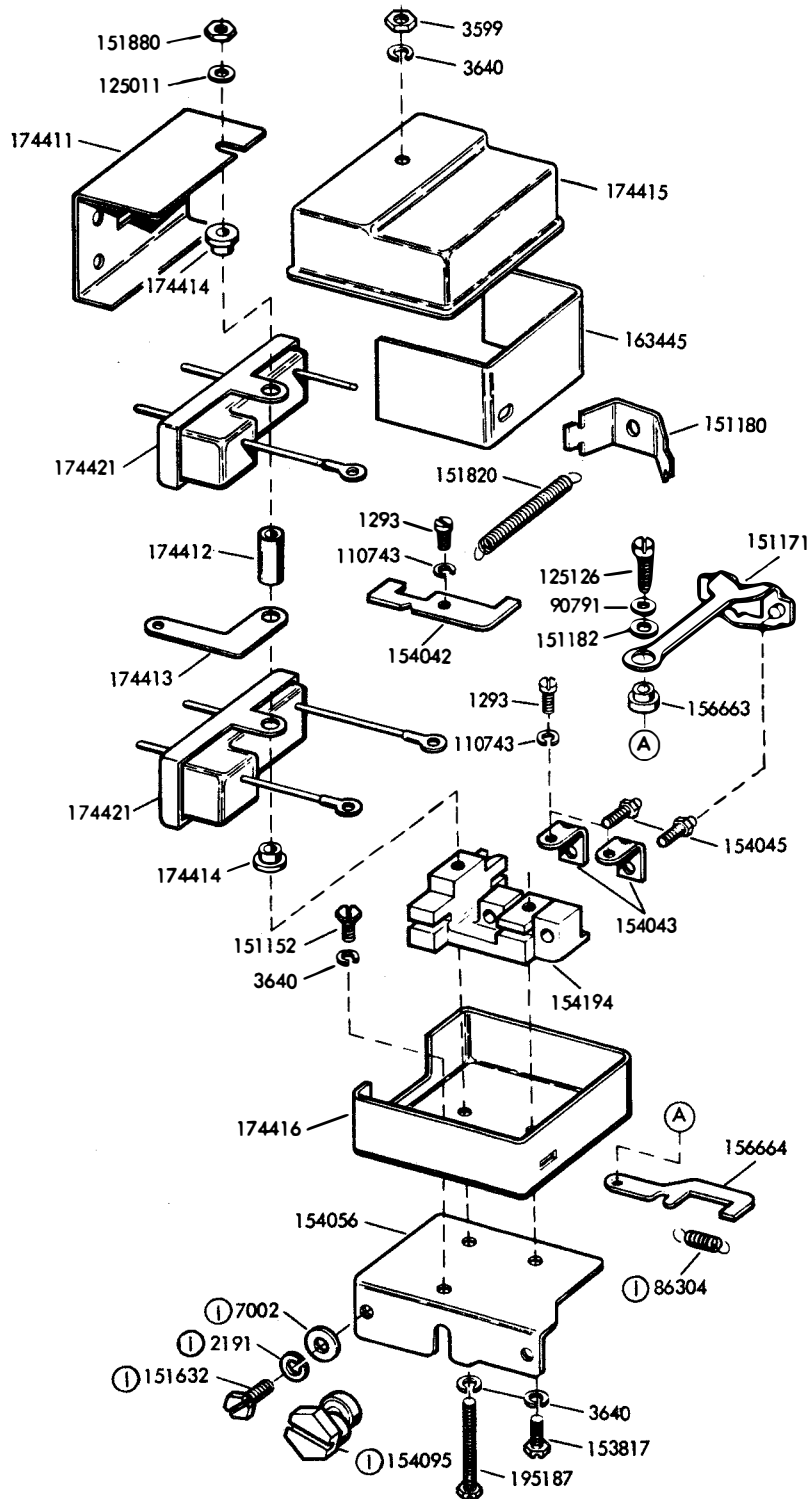


Figure 7-71. Contact Box Assemblies 154165 (with Arc Suppression), 154225 (with RF Suppression, Neutral Transmission) and 162892 (with RF Suppression, Polar Transmission)



ⓐ Not Part of 174410

Figure 7-72. Contact Box Assembly (with RF Suppression, Polar Transmission), Shielded Signal Lines

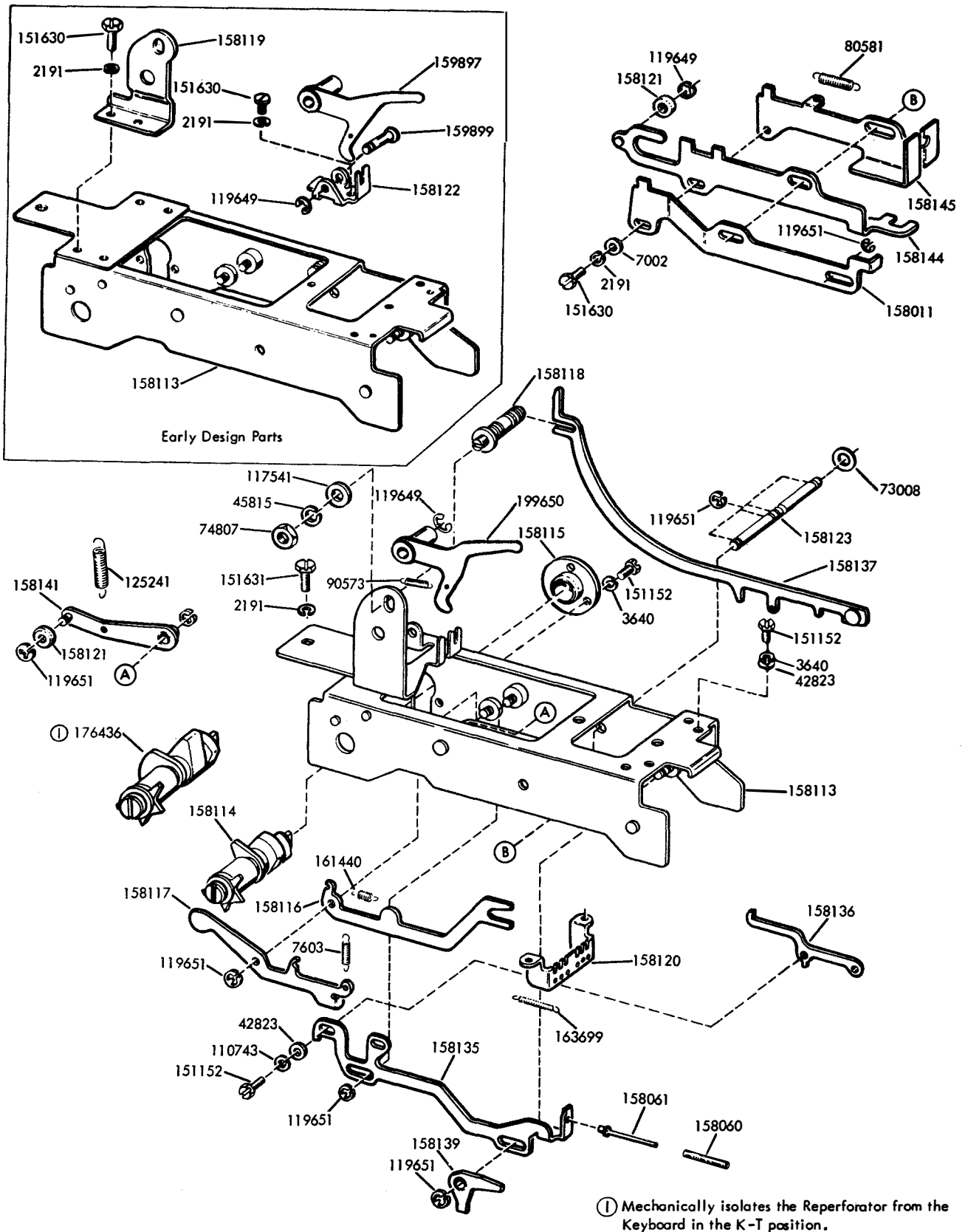


Figure 7-73. Code Bar Extension Basket Mechanism

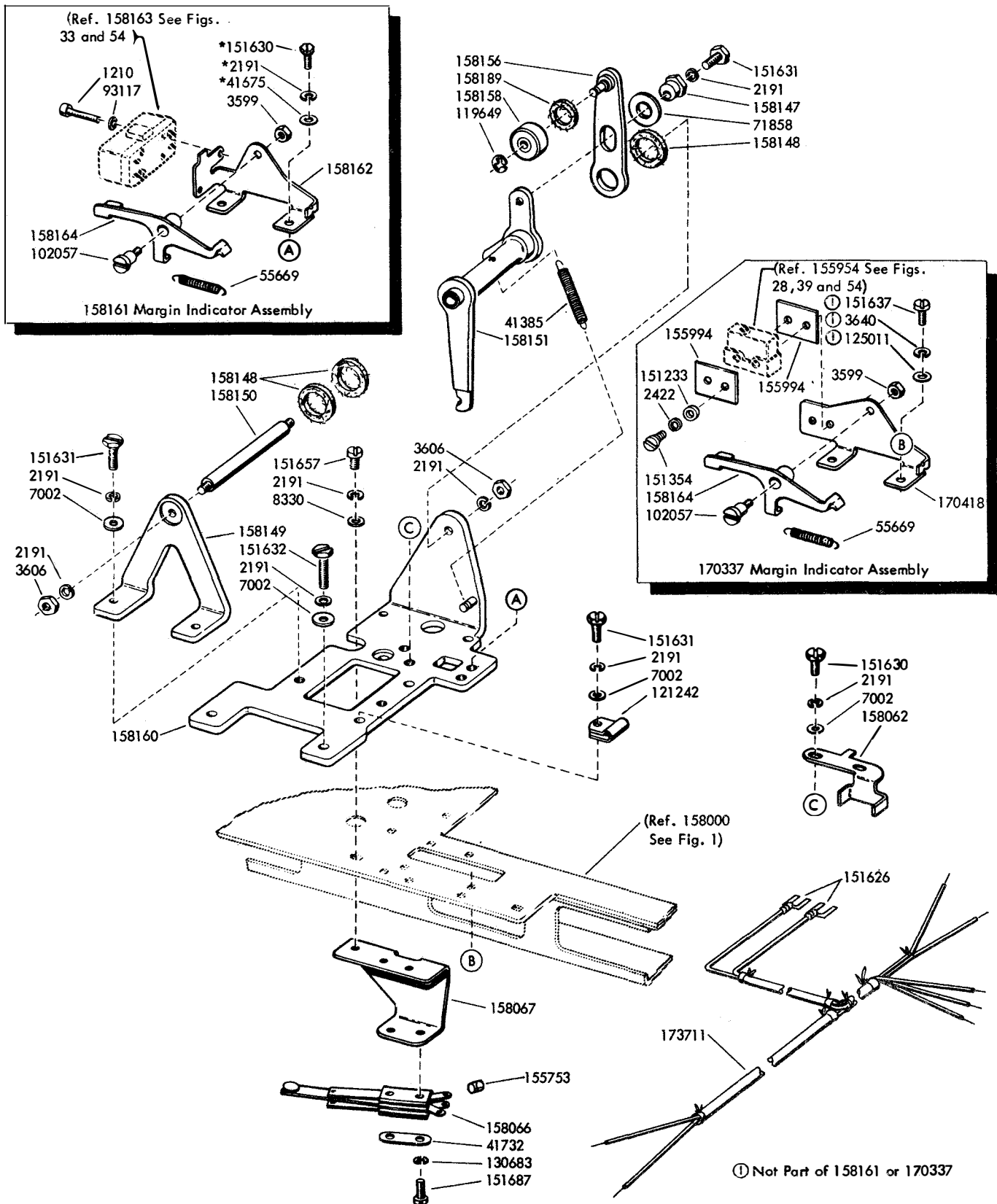


Figure 7-74. Cam Follower Mechanism and Margin Indicator Assemblies

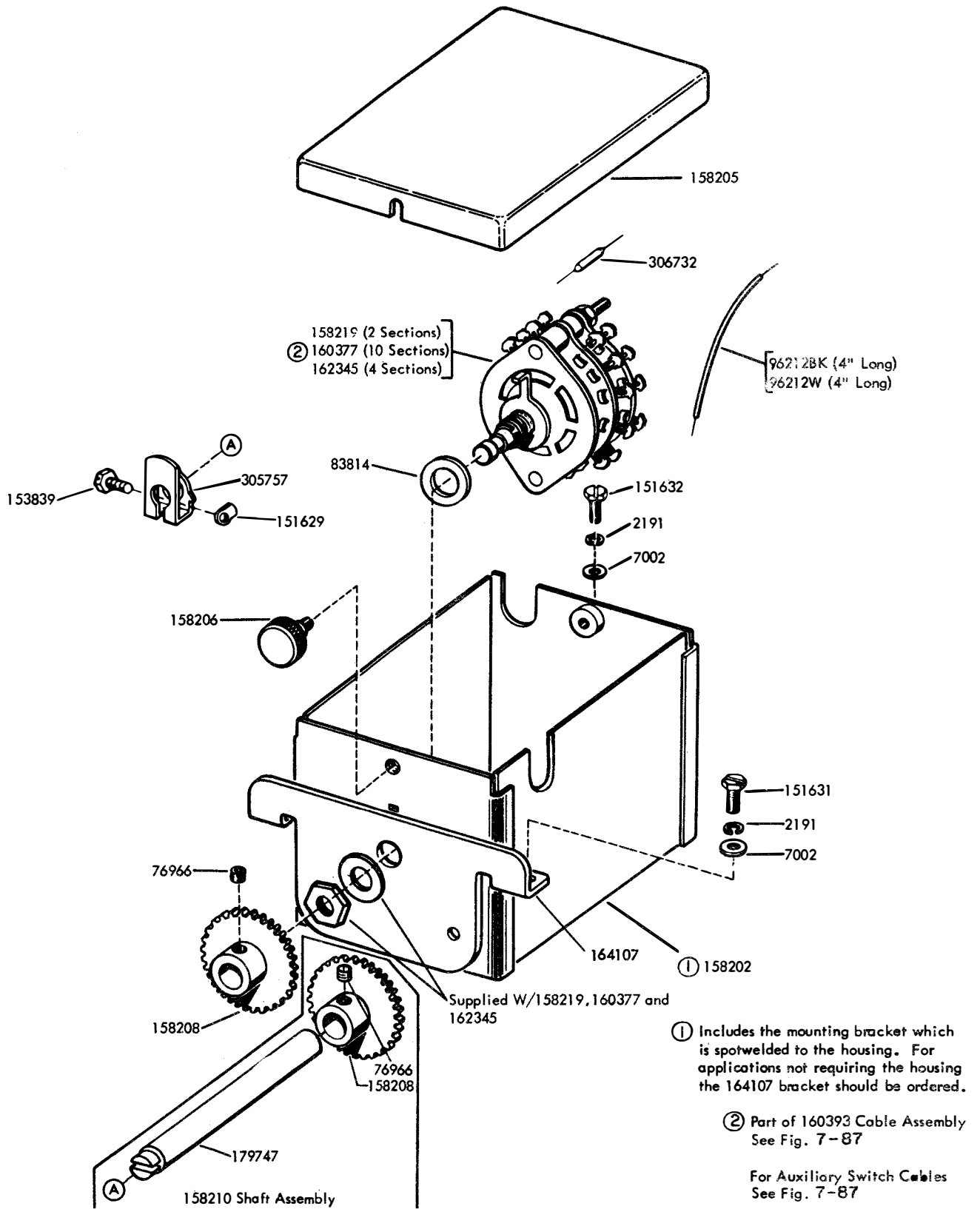


Figure 7-75. Auxiliary Switch Mechanism

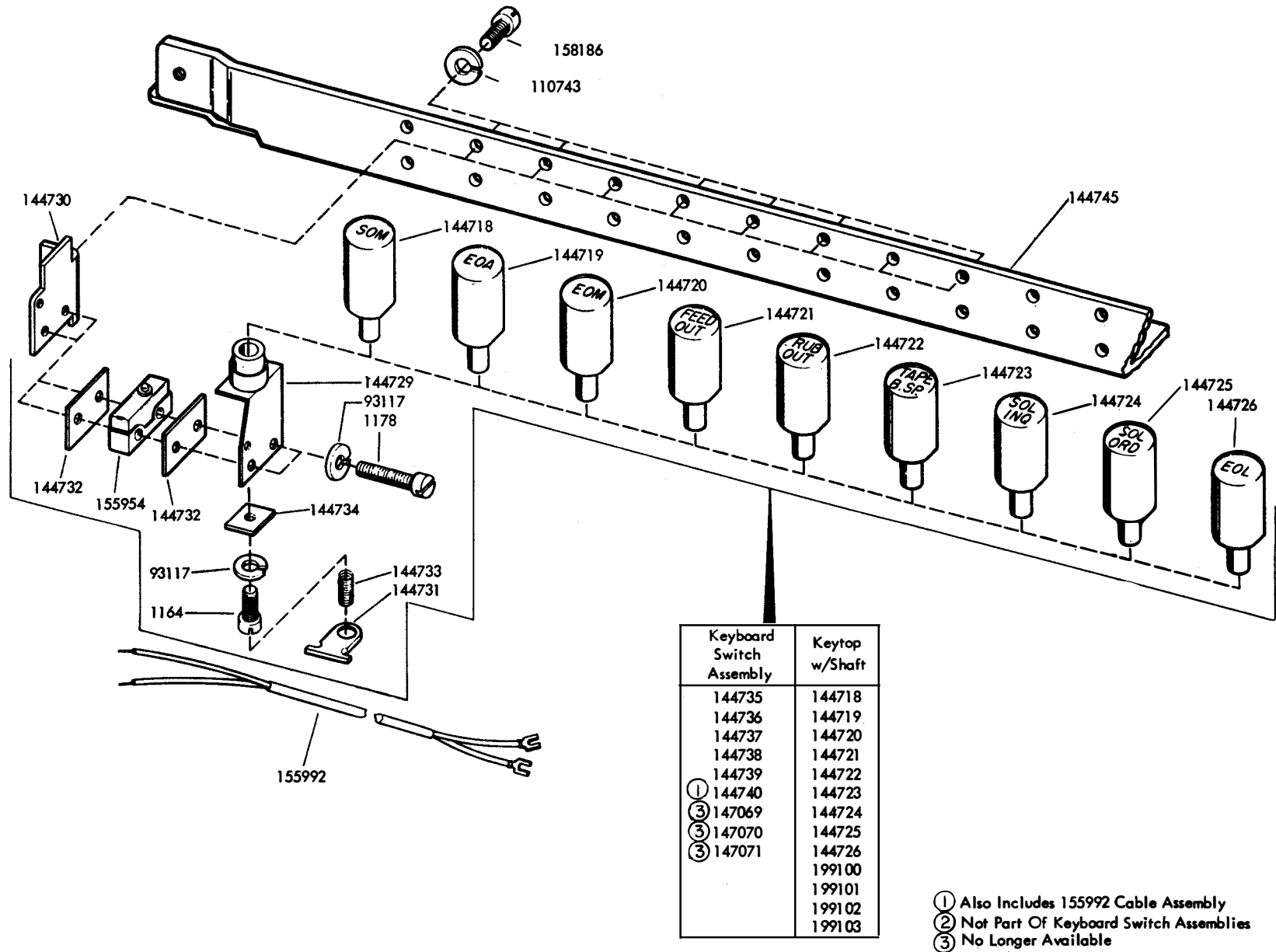
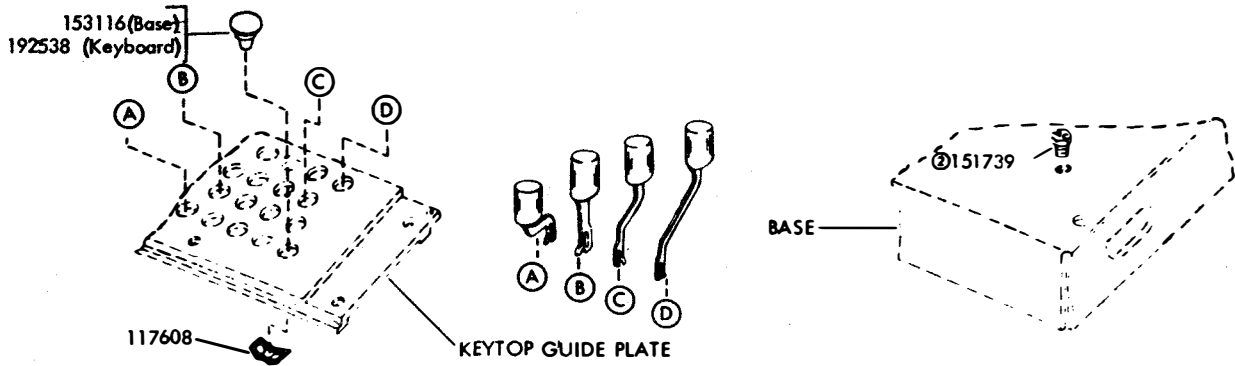


Figure 7-76. Keyboard Switch Assemblies



KEYTOP DESCRIPTION	PART NUMBER	KEYTOP DESCRIPTION	PART NUMBER	KEYTOP DESCRIPTION	PART NUMBER	KEYTOP DESCRIPTION	PART NUMBER	KEYTOP DESCRIPTION	PART NUMBER
E 3	151294	Q 1	151292	W 2	151293	LTRS	151320	ⓈKBD LOCK	151289
I 8	151299	R 4	151295	X /	151314	LINE FEED	151321	ⓈBREAK	151290
M .	151319	S BELL	151303	Y 6	151297	ⓈLOC LF	151286	ⓈREPT	151291
O 9	151300	T 5	151296	CAR RET	151311	ⓈLOC CR	151287	ⓈSEND	164434
P 0	151901	U 7	151298	FIGS	151312	ⓈKBD UNLK	151288	ⓈRECEIVE	164435

Ⓢ Red Keytops, all other Keytops are Gray- Green, all characters are White.

KEYLEVER ASSEMBLIES				KEYLEVER ASSEM. MOD. KITS				
KEYTOP DESCRIPTION	PART NUMBER	KEYTOP ARRANGEMENTS			151934 ARA to ARC	152904 ARC to ARD	152905 ARC to ARB	152906 ARC to ARA
		ARA	ARB	ARC				
A -	151302	X	X	X				
A †	152001			X	X			
B ?	151317	X					X	
B 5/8	151909		X	X	X			
B ⊕	152002			X	X			
C 1/8	151907		X	X	X			
C O	152003			X	X			
C :	151315	X					X	
D \$	151304	X	X	X		X		
D /	152004			X	X			
F I	151305	X					X	
F 1/4	151902		X	X	X			
F →	152005			X	X			
G &	151306	X	X	X				
G ↘	152006			X	X			
H #	152009	X	X			X	X	
H STOP	151903			X	X			
H ↓	152008			X	X			
J ^	151308	X	X			X	X	

KEYLEVER ASSEMBLIES				KEYLEVER ASSEM. MOD. KITS				
KEYTOP DESCRIPTION	PART NUMBER	KEYTOP ARRANGEMENTS			151934 ARA to ARC	152904 ARC to ARD	152905 ARC to ARB	152906 ARC to ARA
		ARA	ARB	ARC				
J ↗	152010			X	X			
J ,	151904			X	X			
K (151309	X					X	
K 1/2	151905		X	X	X			
K ←	152011			X	X			
L)	151310	X					X	
L 3/4	151906		X	X	X			
L ↖	152012			X	X			
N 7/8	151910		X	X	X			
N ⊕	152013			X	X			
N ,	151318	X						X
V 3/8	151908		X	X	X			
V ⊕	152014			X	X			
V ;	151316	X						X
Z "	151313	X	X	X				
Z +	152015			X	X			
No Symbol	151322							
-	152016			X	X			

Ⓢ When ordering the 151739 Identification Screw, include the two or three letter code identifying the keytop arrangement.

Figure 7-77. Keylever Assemblies (Sheet 1 of 2)

KEYTOP DESCRIPTION	PART NUMBER	KEYTOP DESCRIPTION	PART NUMBER	KEYTOP DESCRIPTION	PART NUMBER
A #	154530	F 1/3	158435	N ▽	152138
A +	157329	G	157323	N OFF	155029
A	157365	G ON	154527	N n	157353
A ?	158418	G ▽	154532	N *	157357
A e	158438	G TAB	155037	N START	157942
B RUSH	152133	G	157348	N %	157946
B OFF	152136	G TFO	157356	N &	157949
B	154525	G FO	157359	N @	157951
B %	155034	G £	157955	N +	157959
B &	157342	G :	158422	N •	157970
B *	157345	G OFF	158444	N -	158412
B "	157354	G •	158454	N }	158427
B EJT	157334	H	151307	P ∅	151301
B †	157944	H £	152007	R TAB	158450
B DZ	157961	H +	157358	S ▽	152131
B e	158414	H OFF	154528	S	157367
B #	158417	H °	155026	S Δ	154535
B -	158419	H ?	157360	S ON	155030
B ‡	158434	H →	157968	S /	157328
B TAB	158443	H FO	158431	S s	157351
B ON	158452	H &	158440	S #	158439
C W-R-U	164457	J	152134	S STOP	158445
C	154523	J J	157349	U 7	157327
C #	155035	J YIP	157362	V	154524
C 1/4	157321	J ∅	152017	V %	152139
C %	157339	J ‡	152018	V =	157325
C ON	157343	J BELL	152132	V *	155033
C c	157346	J x	154533	V #	155039
C 1/2	157945	J ON	155031	V ‡	157336
C &	157957	J 1/2	157320	V &	157361
C (157964	J +	157340	V x	157943
C +	158410	J %	157341	V †	157950
C O	158420	J YD	157958	V EA	157953
C ?	158441	J Yd	157962	V •	157960
D	154531	J #	157965	V ⊕	157971
D	155038	J =	158423	V)	158411
D °	157322	J TAB	158447	V -	158415
D ⊕	157326	K	154521	V ,	158428
D OFF	157331	K &	157338	V ±	158442
D /	157355	K k	157350	X #	154529
D &	157956	K NYC	157363	X	157332
D ∅	157967	K STOP	157941	X FO	158430
D ;	158421	K ▽	158424	Z	152135
D BO	158448	K +	158453	Z TAB	155027
D TAB	158455	L	154522	Z ON	155028
E #	157940	L &	157947	Z OFF	155032
F	154520	L L	157966	Z %	157337
F %	152020	L .	158425	Z z	157352
F #	152130	L ?	158436	Z VERT	157344
F ‡	155025	L ATL	158449	Z FO	157948
F &	155036	L OFF	158451	Z †	158429
F 3/4	155040	M STOP	152019	Z *	158437
F f	157347	M	157335	LOC RLF	153283
F CHI	157364	M %	157952	LOC B SP	153284
F n	157963	M	157366	.	152137
F TAB	158406	M #	157954	- ∖	154534
F DATA	158408	M ∞	157969	BELL -	157330
F ▽	158409	M (158426	ON .	157333
F +	158413	M M	158432	.	158407
F F	158433	N	154526	, .	158416
				HERE IS	163852

Figure 7-77. Keylever Assemblies (Sheet 2 of 2)

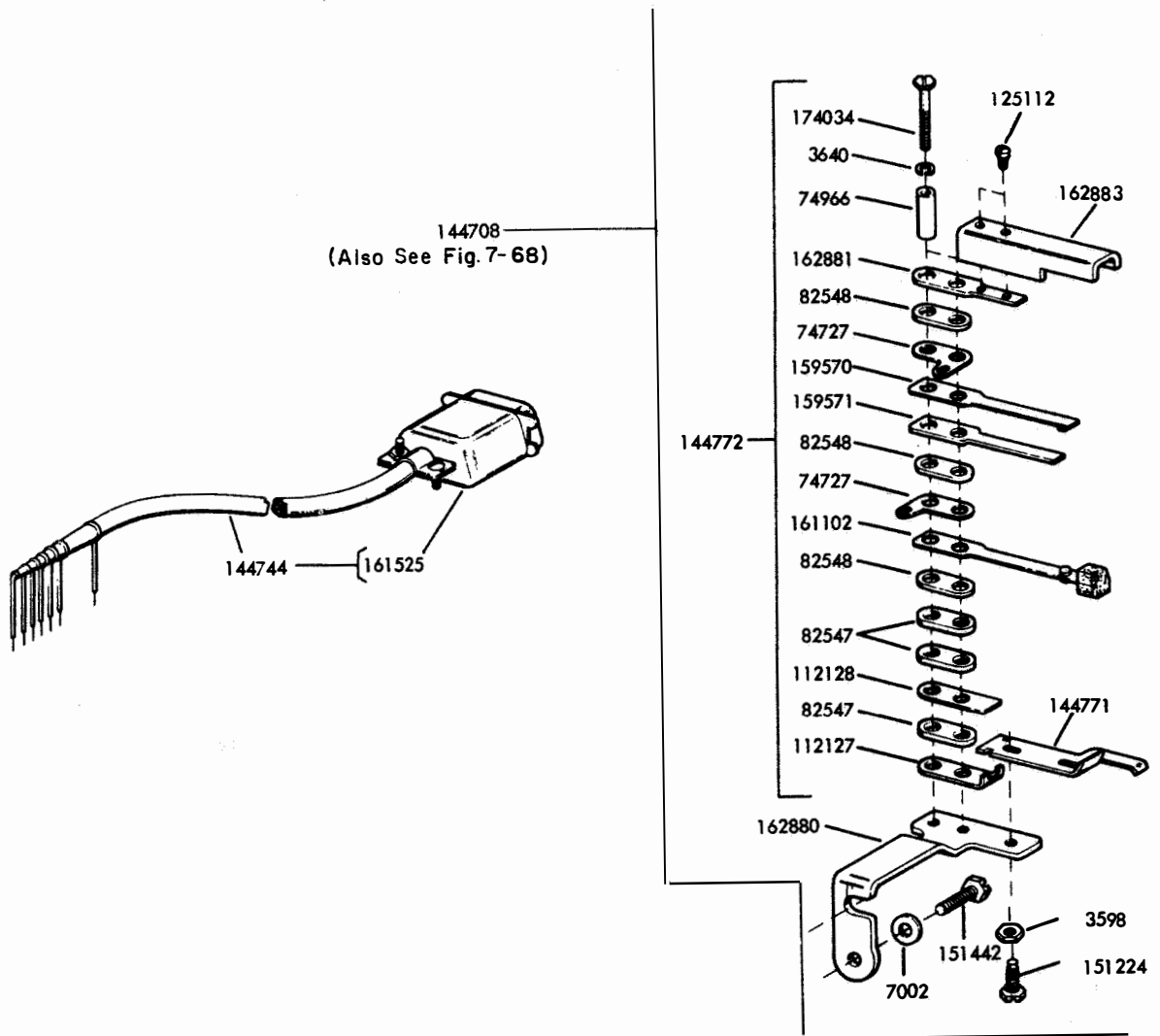
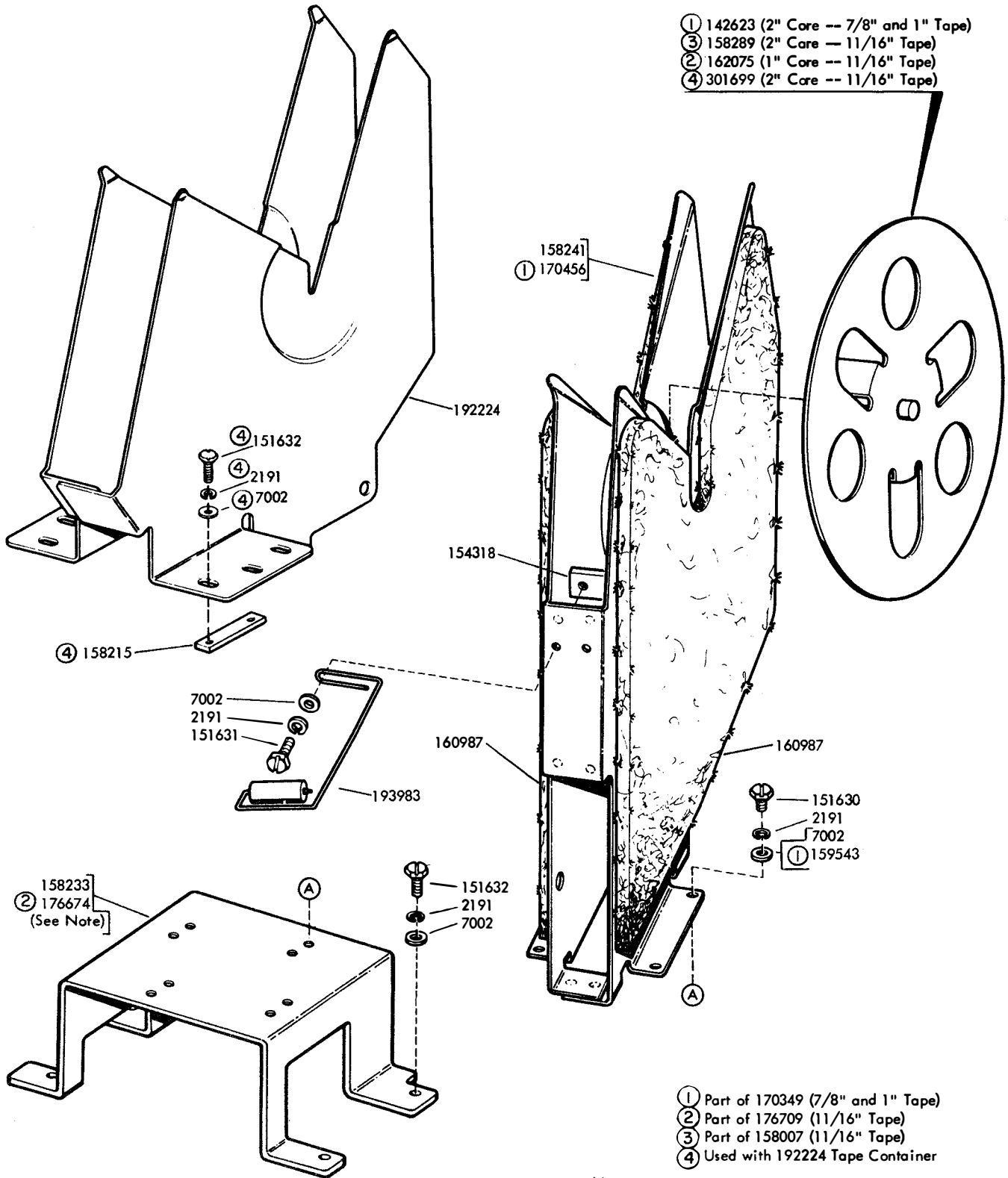


Figure 7-78. Modification Kits 144708, Function Magnet Contact



- ① 142623 (2" Core -- 7/8" and 1" Tape)
- ③ 158289 (2" Core -- 11/16" Tape)
- ② 162075 (1" Core -- 11/16" Tape)
- ④ 301699 (2" Core -- 11/16" Tape)

- ① Part of 170349 (7/8" and 1" Tape)
- ② Part of 176709 (11/16" Tape)
- ③ Part of 158007 (11/16" Tape)
- ④ Used with 192224 Tape Container

Note:
The 176674 bracket is used to mount the tape container when a perforator is motorized.

Figure 7-79. Tape Container Assemblies 158007, 170349 and 176709

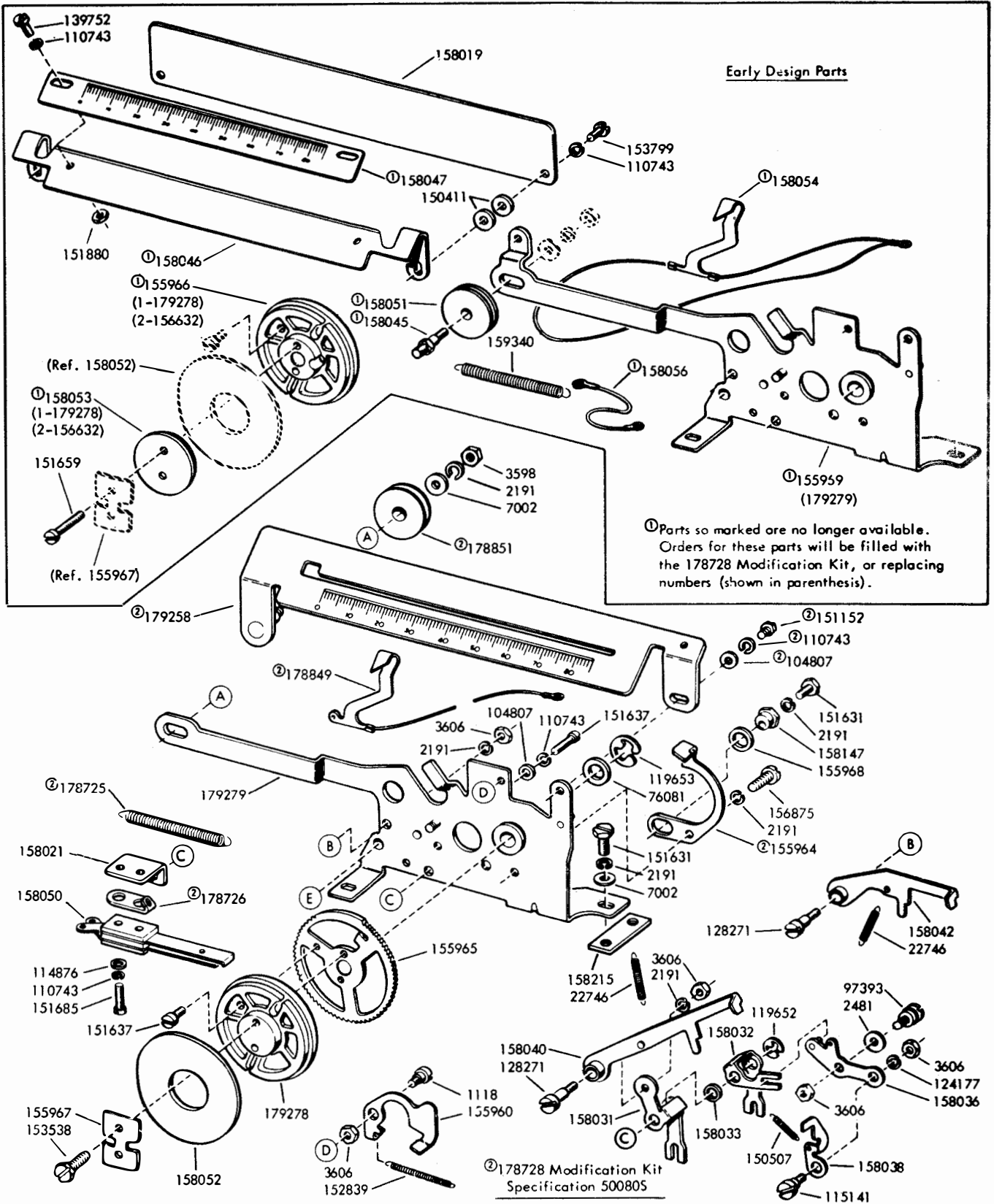


Figure 7-80. Character Counter Assembly 155990

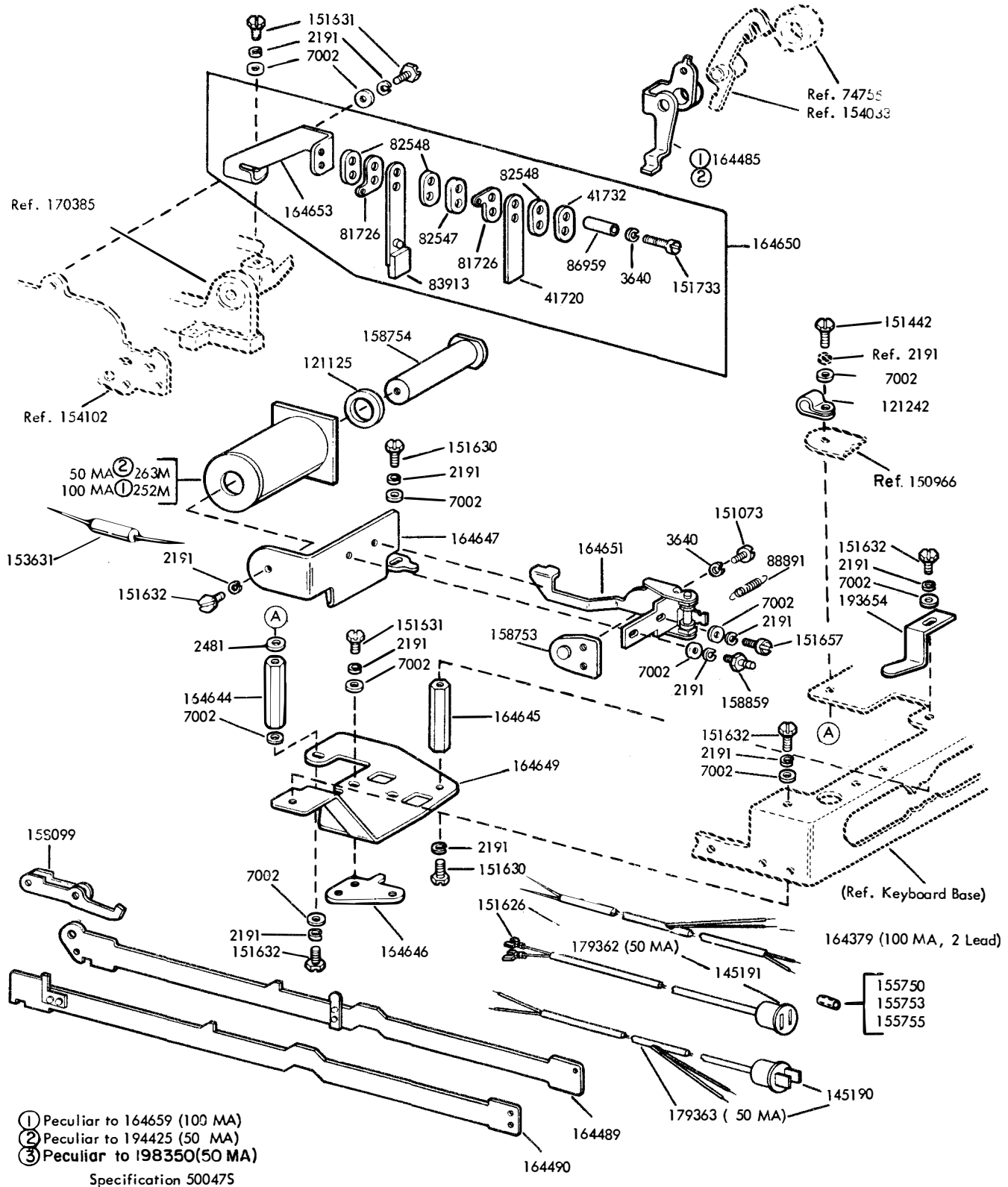


Figure 7-81. Modification Kits 164659 (100 mA), 194425 (50 mA) and 198350 (50 mA) to Provide Synchronous Pulsed Transmission

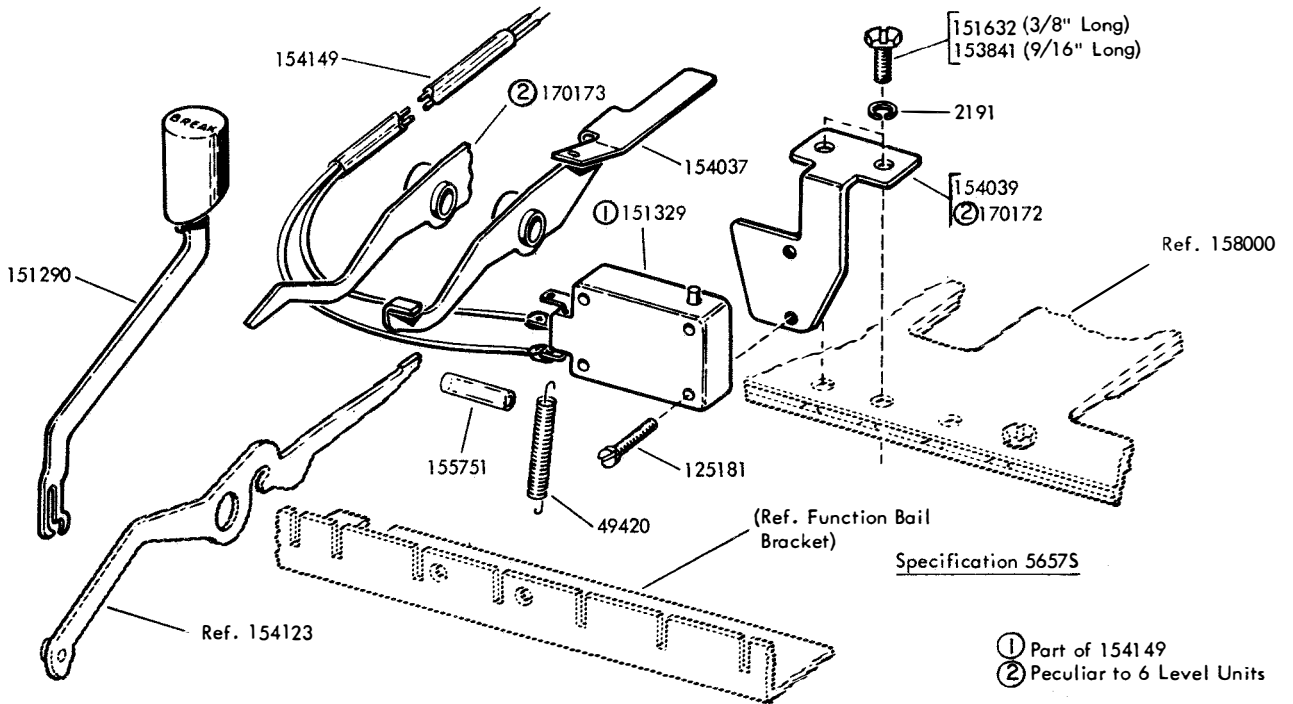
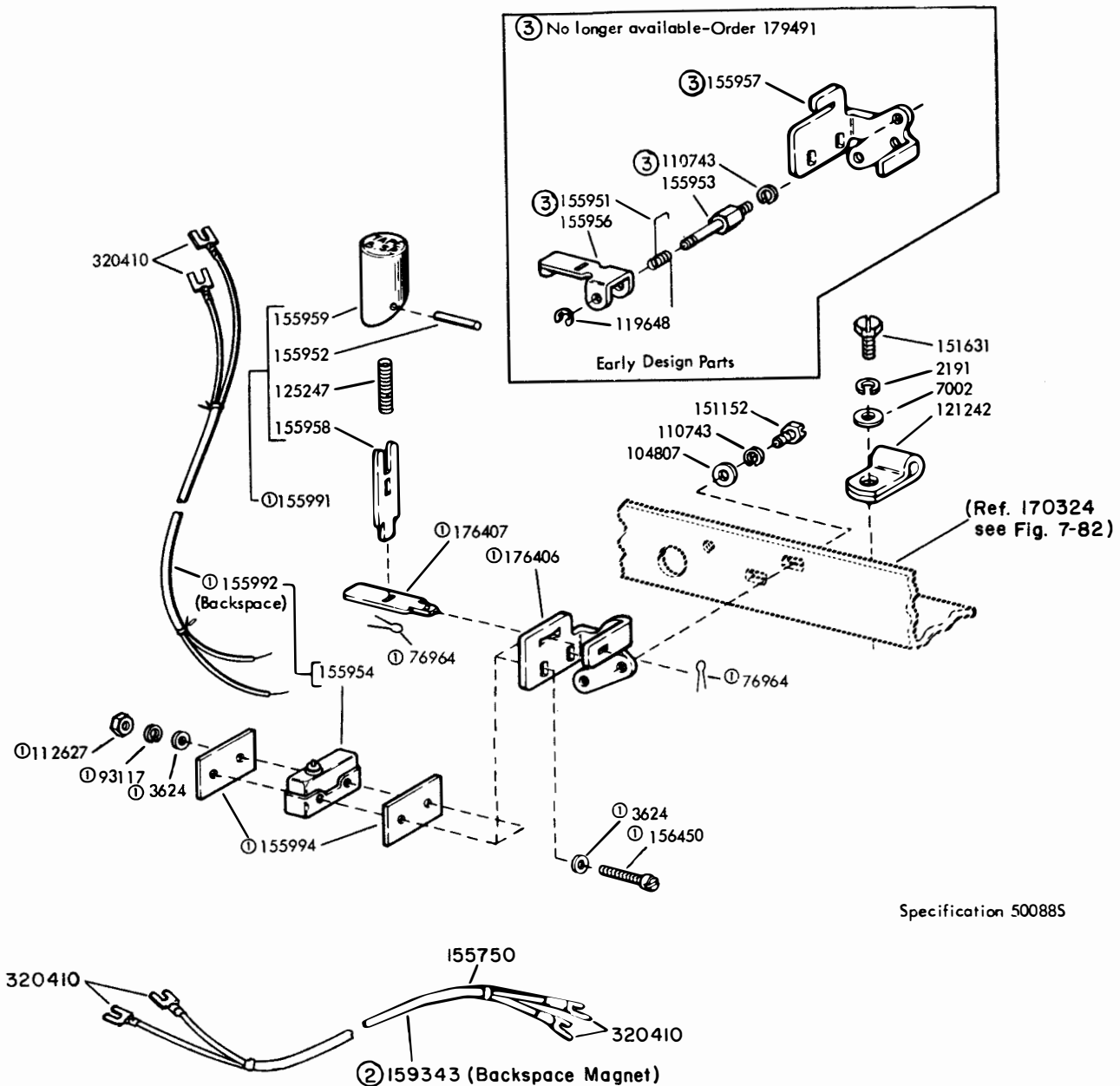


Figure 7-82. Modification Kit 154141 to Provide Electrical Signal Line Break Mechanism



Specification 500885

- ① 179491 Backspace Switch Assembly
- ② Not Part 176405

Specification 500885

Figure 7-83. Modification Kit 176405 to Add Tape Backspace Button

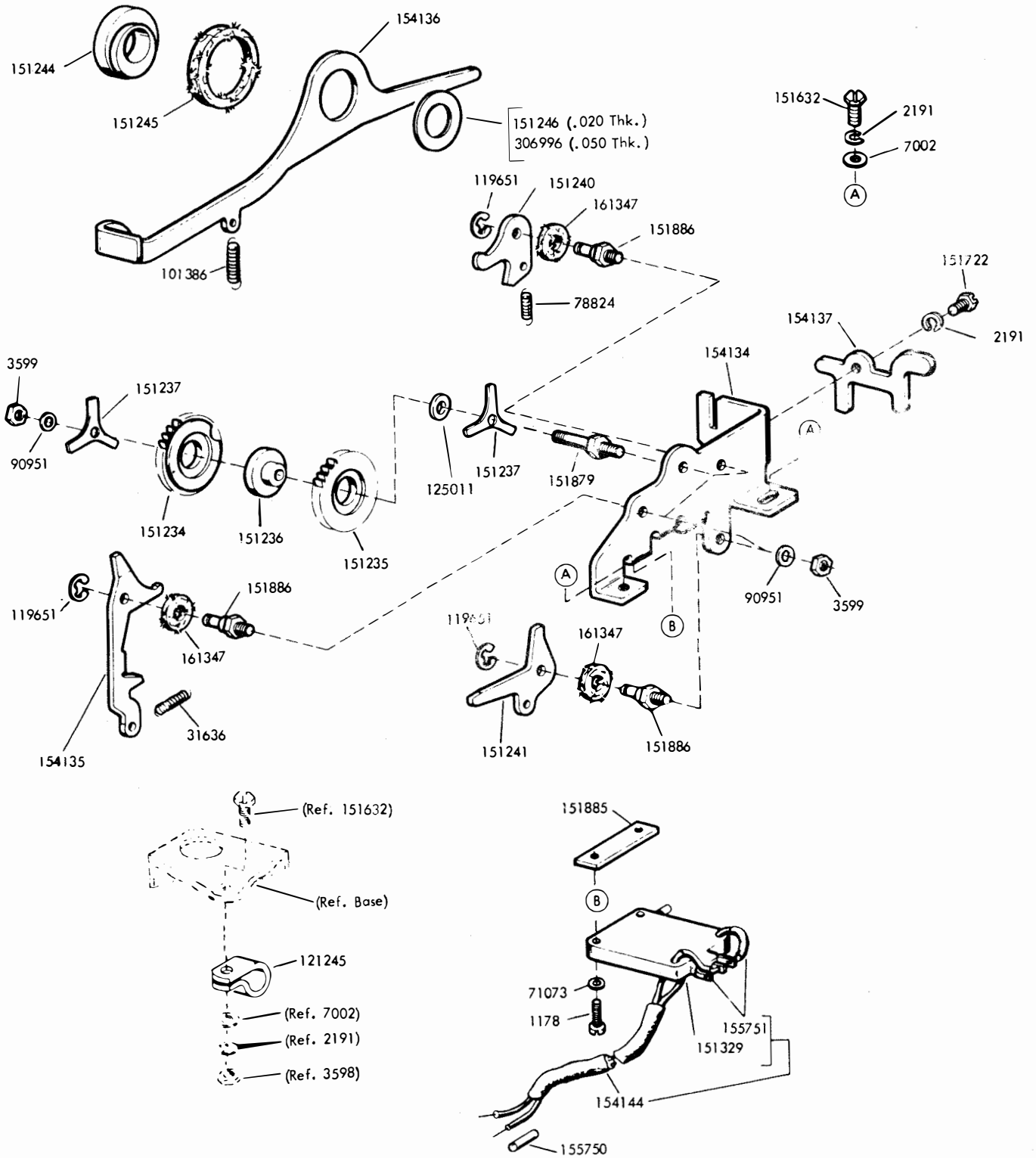


Figure 7-84. Modification Kits 154142 and 162731 to Provide Keyboard with Time Delay Mechanism

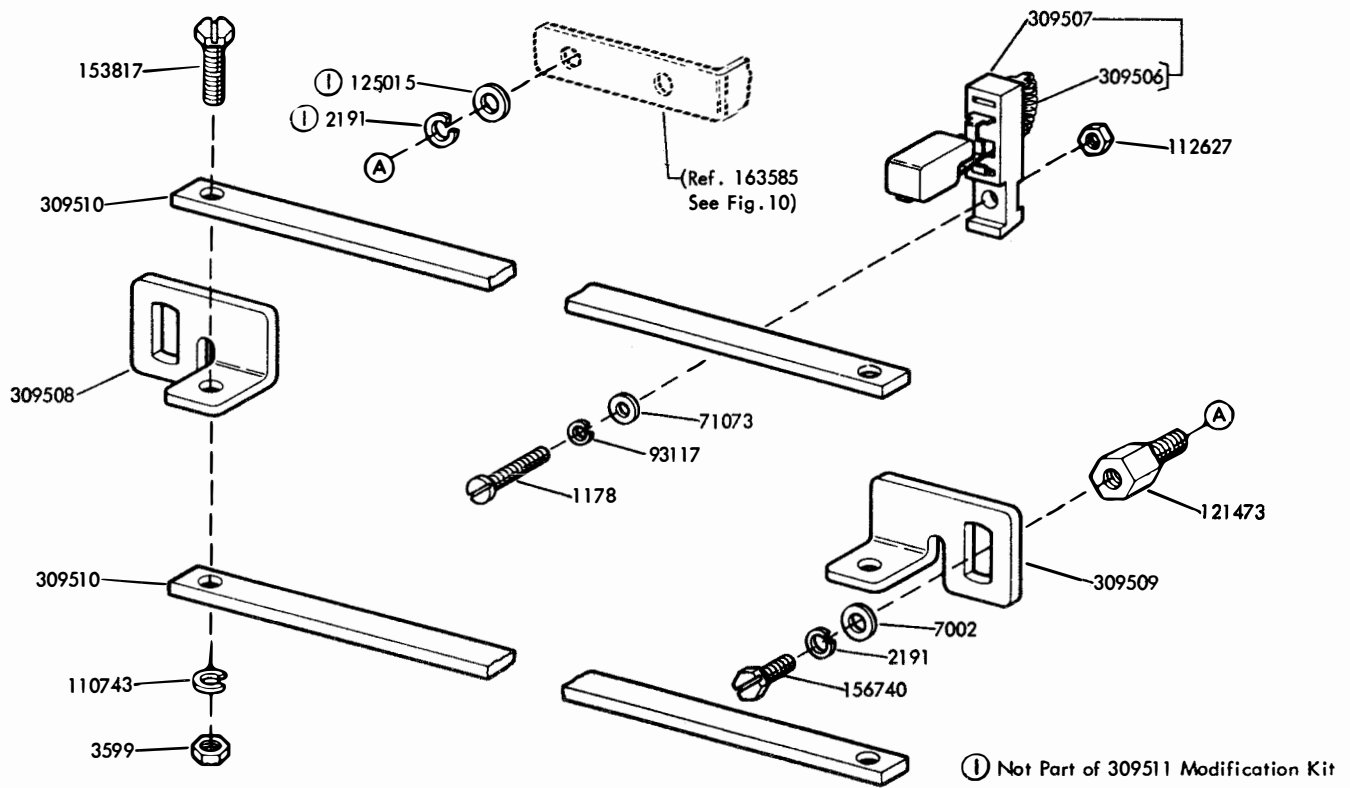
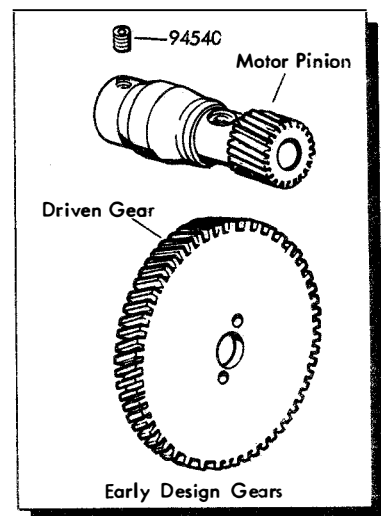
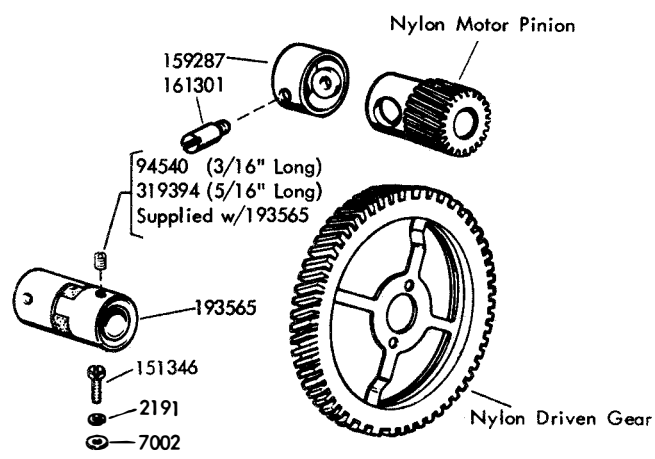
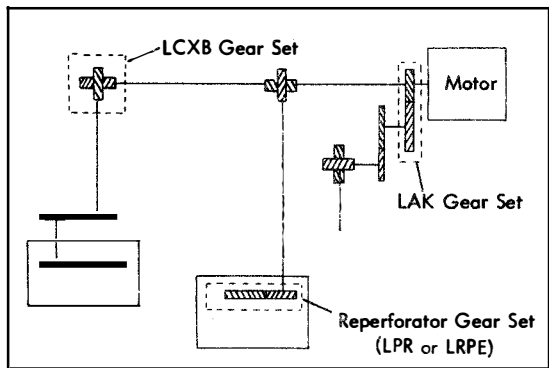


Figure 7-85. Modification Kit 309511 to Provide Universal Keyboard Switch on Mark III Keyboards



- +Gears For Motors Operating on 50 Cycle Current at 3000 RPM.
- *Includes keyboard and single TD gear sets only.
- **Modification Kit including keyboard and single TD gear sets and the 193565 coupling (required when replacing an early style gear set).
- #Includes keyboard, single TD base and reperforator gear sets.
- ##Includes keyboard, dual TD base and reperforator gear sets.

Mounts Steel Pinion To Motor Shaft

WPM/OPM Baud Unit Code	65/390 45.5 7.00	71/428 50 7.00	81/488 56.9 7.00	106/636 74.2 7.00	107/643 75 7.00	60/368 45.5 7.42	67/404 50 7.42	75/460 56.88 7.42	100/600 74.2 110 7.42 11.0	61/364 45.5 7.50	66/400 50 7.50	100/600 75 7.50	99/529 75 8.50
Keyboard (LAK) Gear Set includes: Isolator Post (2)	173795 173794-14T 173793-100T 159287 161301	163504 163461-18T 163462-117T 159287 161301	198050 198051-17T 198052-97T 159287 161301	198053 198054-21T 198055-92T 159287 161301	163505 163463-24T 163464-104T 159287 161301	161293 159278-14T 159279-96T 159287 161301	194927 194925-13T 194926-81T 159287 161301	161294 159281-17T 159282-93T 159287 161301	161295 159284-20T 159285-84T 159287 161301	173795 173794-14T 173793-100T 159287 161301	163504 163461-18T 163462-117T 159287 161301	163505 163463-24T 163464-104T 159287 161301	170089 170185-25T 170186-119T 159287 161301
Single TD Base (LCXB) Gear Set includes:	159882 155996-13T 155997-60T	161357 161333-10T 161332-42T	198056 198057-19T 198058-70T	159883 155998-12T 155999-34T	163454 163452-20T 163453-56T	158029 158005-9T 158006-44T	161356 161331-11T 161330-49T	158028 158003-12T 158004-47T	158027 158002-11T 158001-33T	178775 178776-17T 178777-56T	178772 178773-20T 178774-60T	178769 178770-23T 178771-46T	
Dual TD Base (LCXB) Gear Set includes:					199090-20T 199091-56T		195146 195144-11T 195145-49T		170293-11T 170297-33T				170189-15T 170190-51T
Reperforator (LPR or Gear Set LRPE) includes:	173992 173993-14T 173994-40T	163457 163455-20T 163456-52T			163502 163501-30T 163500-52T	163023 163021-28T 163022-80T	195184 195182-20T 195183-52T	163024 163019-21T 163020-48T	163025 163015-28T 163018-49T				170187-30T 170188-59T
ASR Gear Set (w/Single TD)						*161859 **164583	#194928 **163302	*161860 **164584	*161861 **164585				
ASR Gear Set (w/Dual TD)							##195147		##170100				##170088
Keyboard (LAK) Gear Set Includes: (Motor Speed 3000RPM)					*312705 312691-26T 312692-94T	+307850 307844-10T 307845-57T	+307851 307848-15T 307849-78T		+307852 307846-20T 307847-70T				
Single TD Base (LCXB) Gear Set Includes: (Motor Speed 3000RPM)	+319911 319909-13T 319910-50T	+319914 319912-10T 319913-35T			+319917 319915-24T 319916-56T	+305579 305573-13T 305574-53T	+305578 305571-14T 305572-52T		+305577 305569-22T 305570-55T				

Figure 7-86. Gearsets

7-409

NAVELEX 0967-LP-625-5030

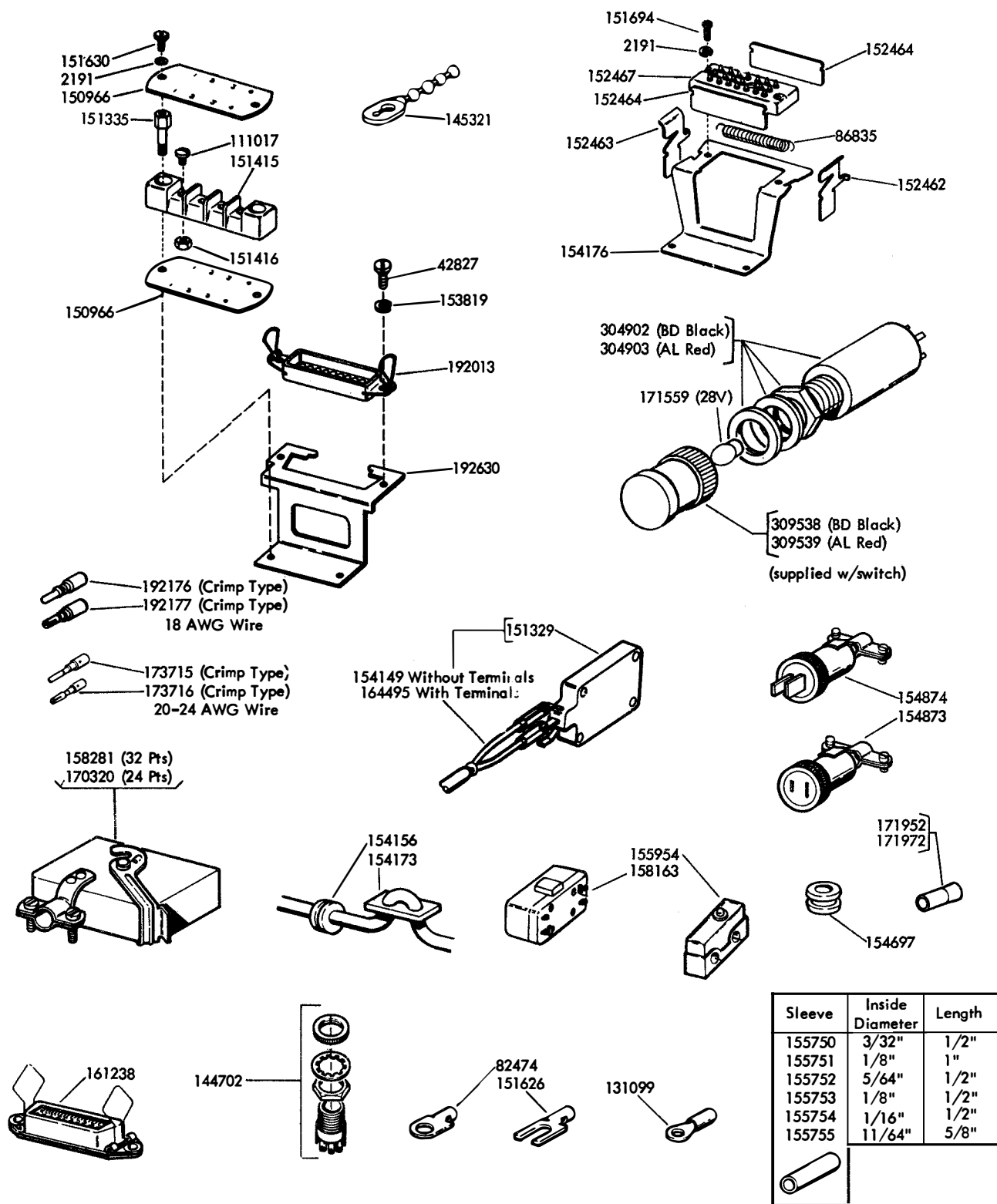


Figure 7-87. Keyboard Cable Components

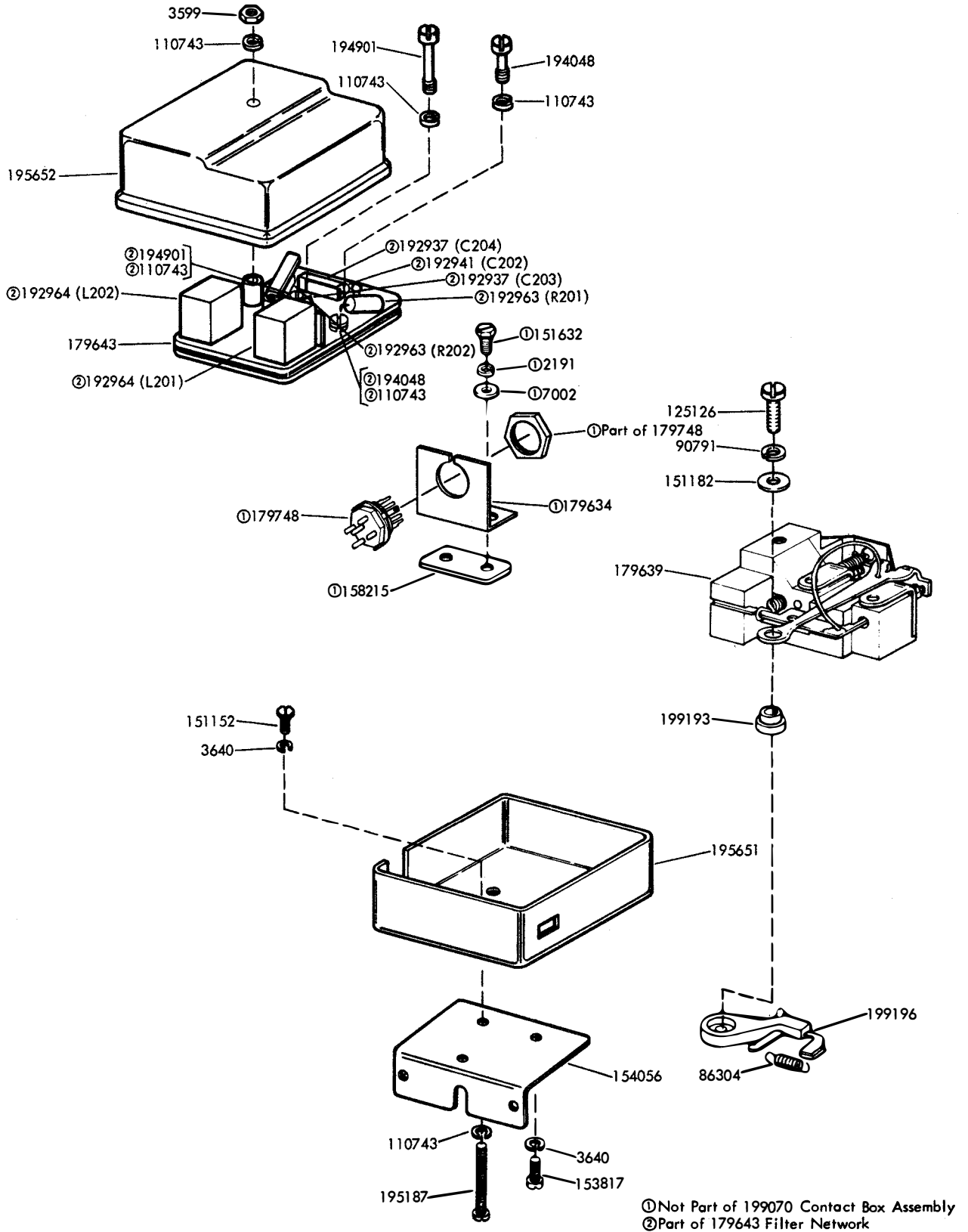


Figure 7-88. Contact Box Assembly 199070

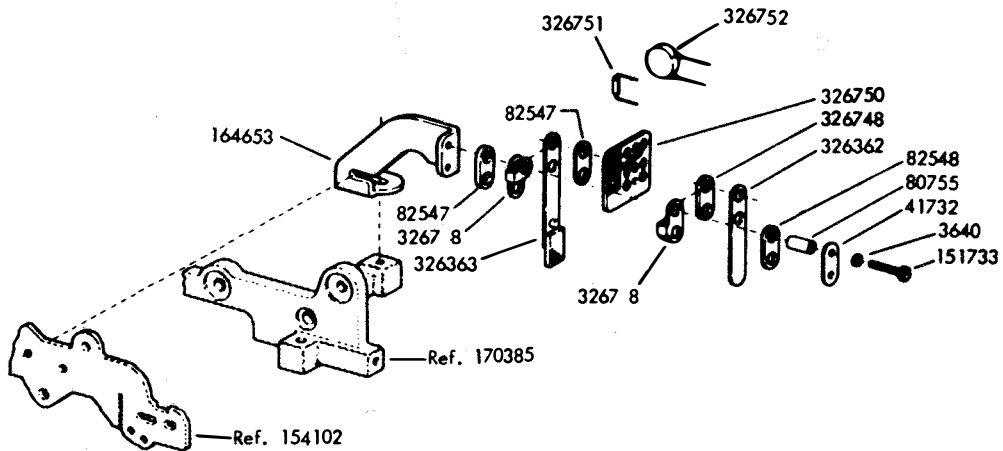


Figure 7-89. Contact Assembly 326357, RFI Suppression Features for Low-Level Sets

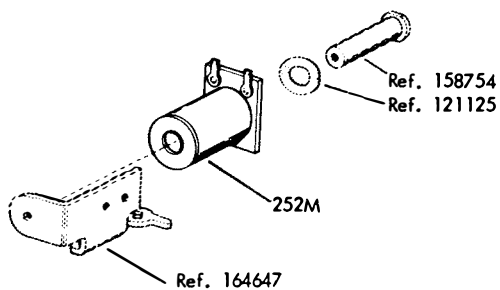


Figure 7-90. Signal Generator Magnet Assembly, RFI Suppression Features for Low-Level Sets

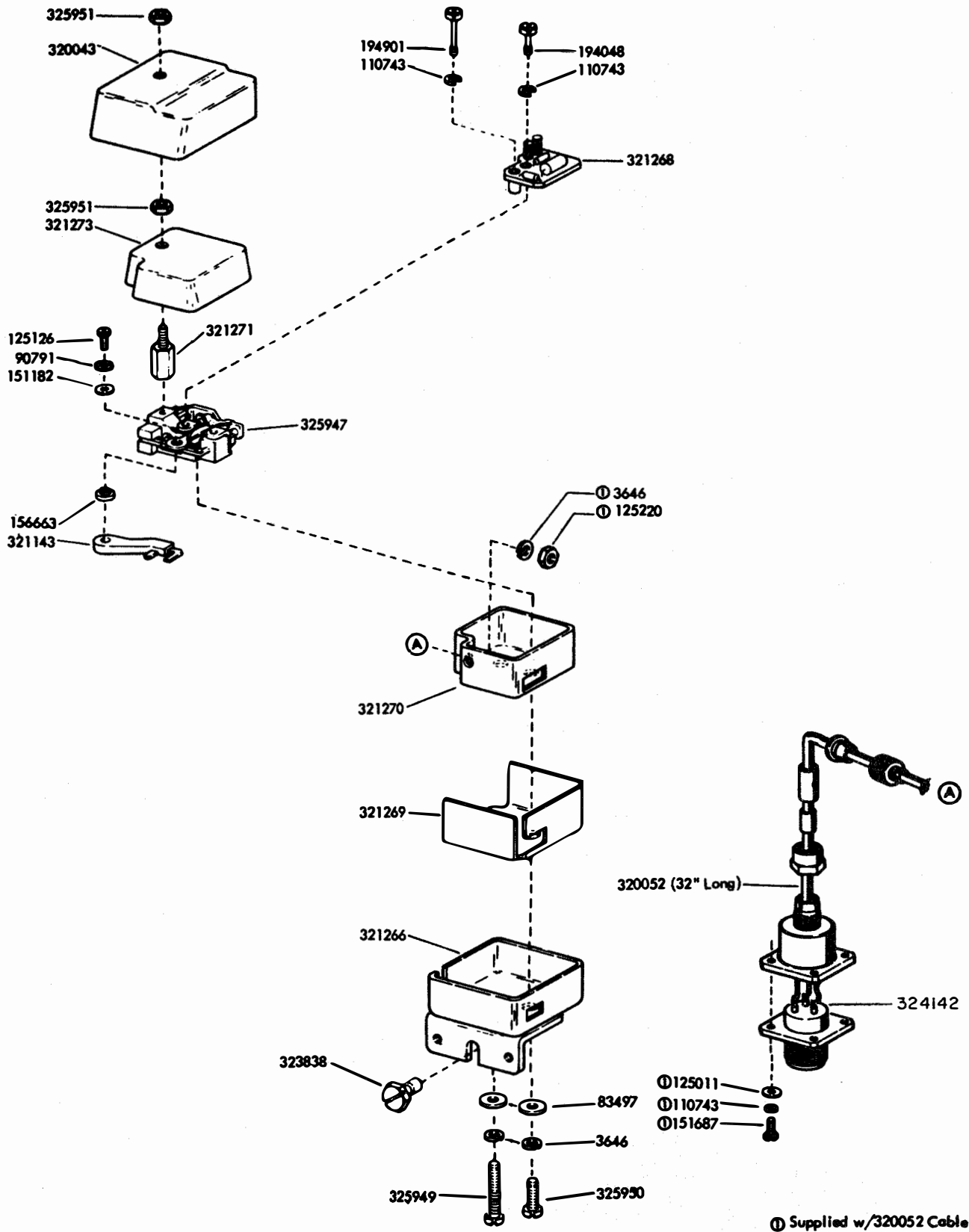


Figure 7-91. Contact Box Assembly 323644, RFI Suppression Features for Low-Level Sets

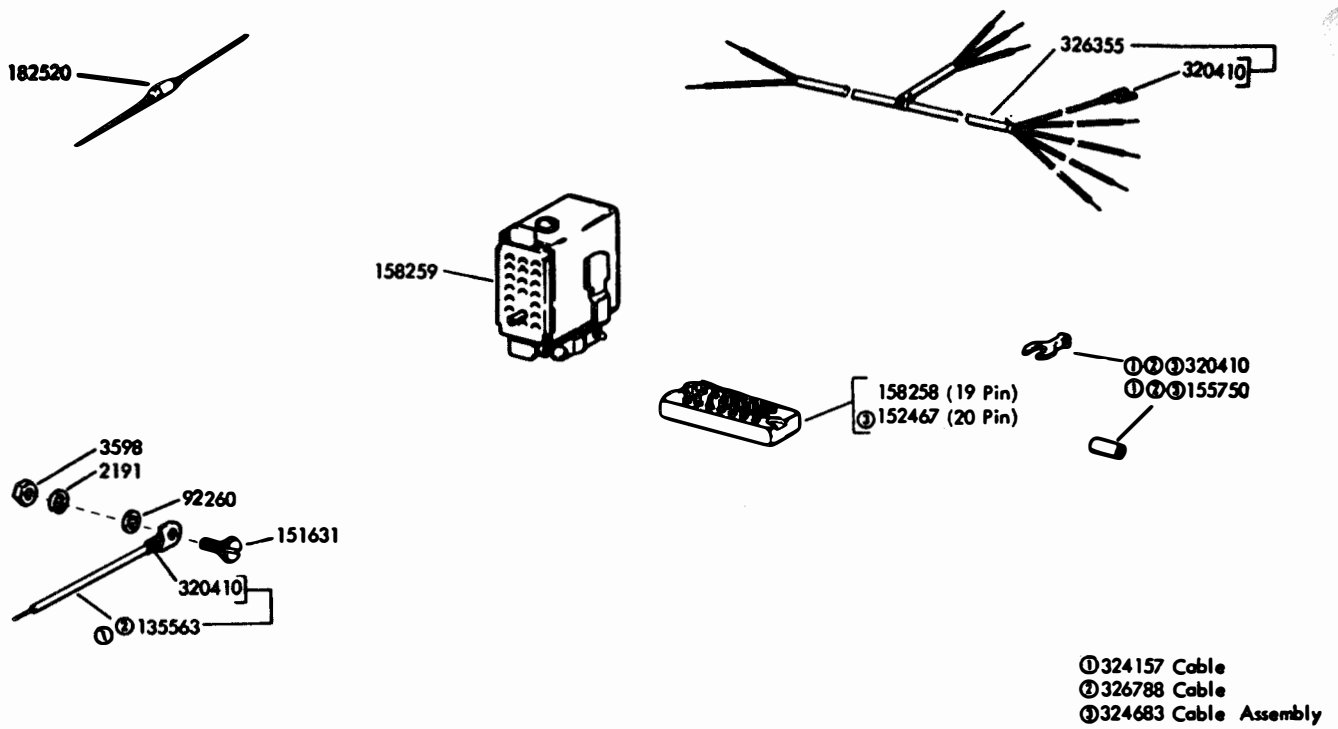


Figure 7-92. Signal Generator Cable and Components, FFI Suppression Features for Low-Level Sets

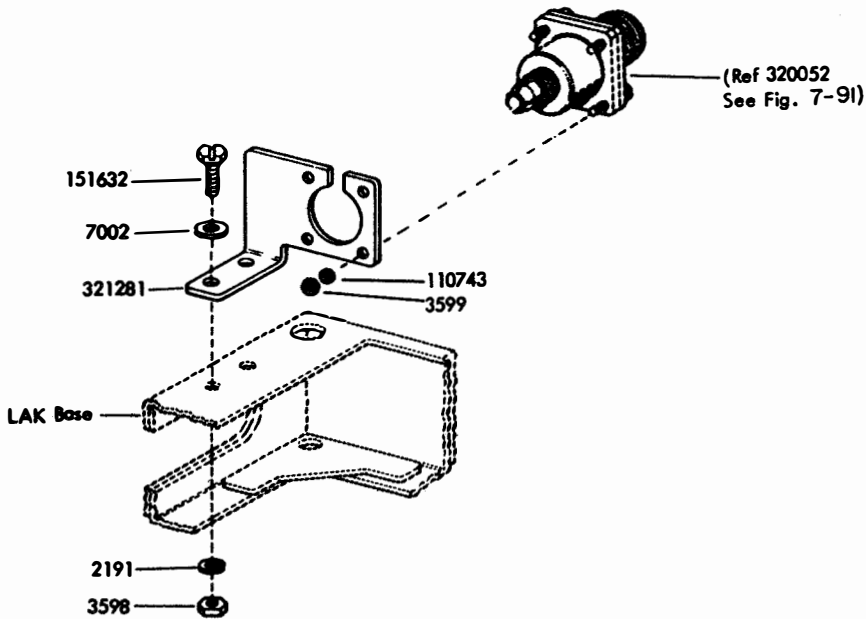
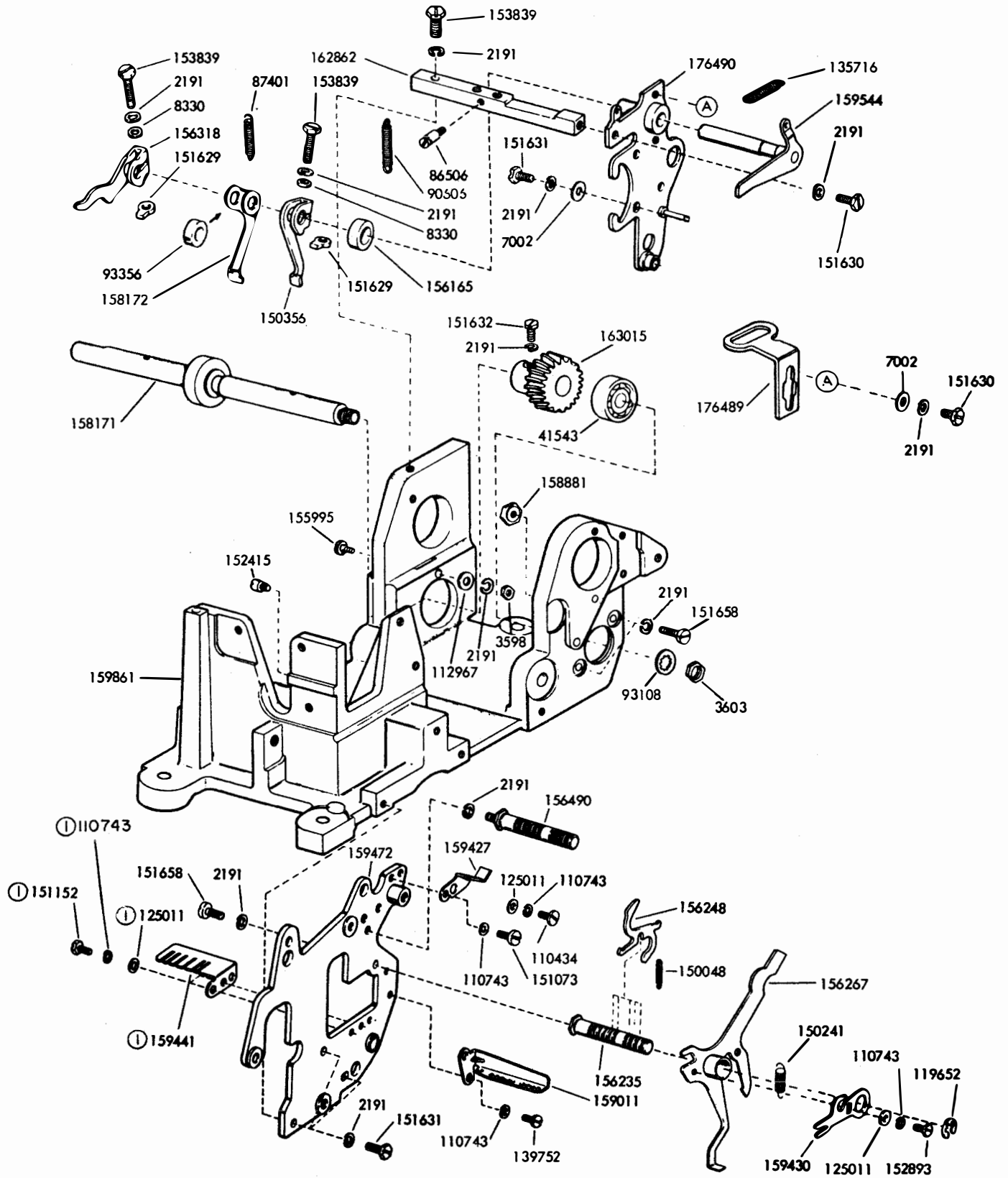
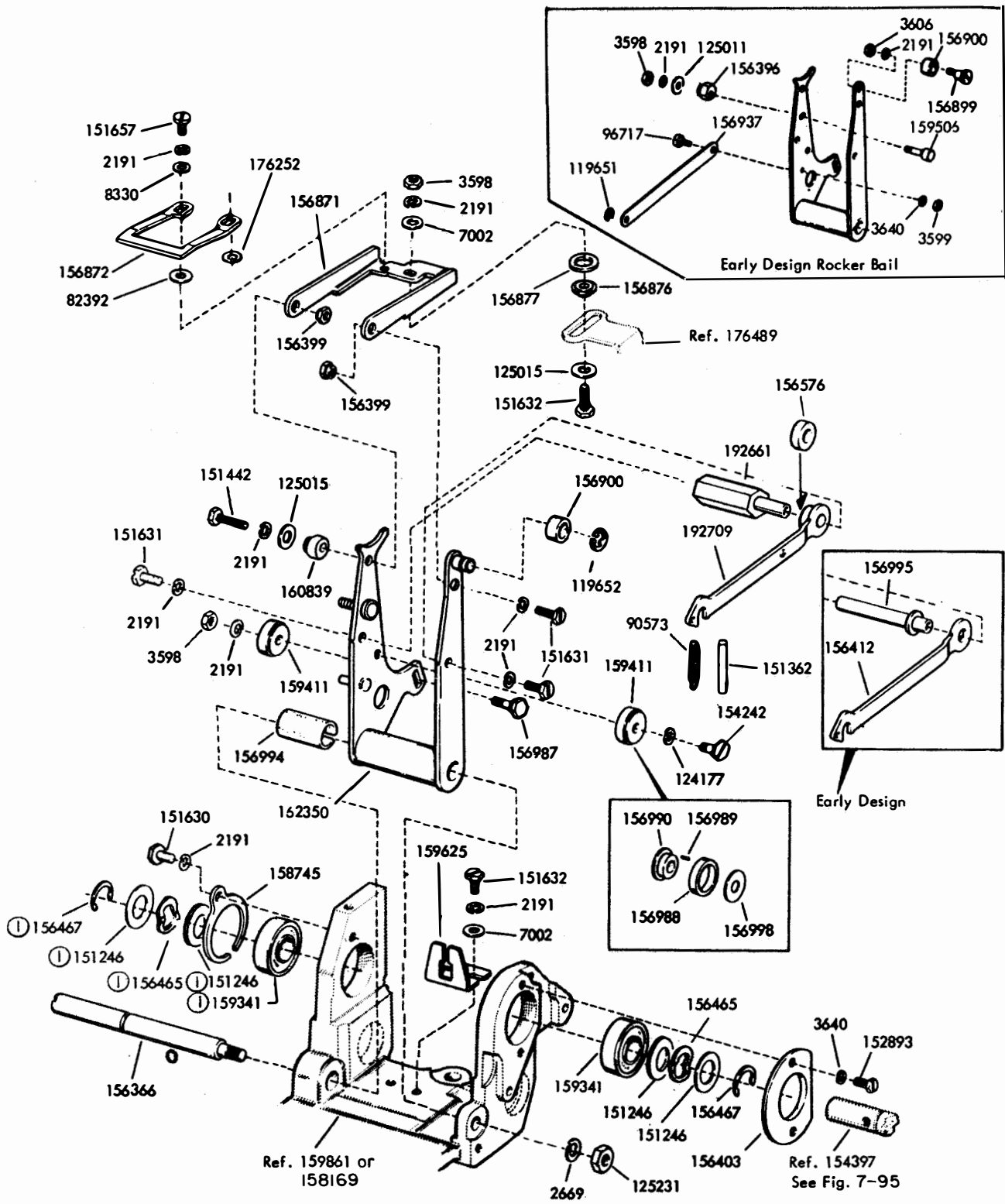


Figure 7-93. Mounting Components for Contact Box Cable, RFI Suppression Features for Low-Level Sets



① Early Design Parts, See Figure 7-108 for New Design

Figure 7-94. Frame Mechanism, Typing Perforator (Sheet 1 of 2)



① These parts are not required with the later design shaft (154397). See Figure 7-95

Figure 7-94. Frame Mechanism, Typing Perforator (Sheet 2 of 2)

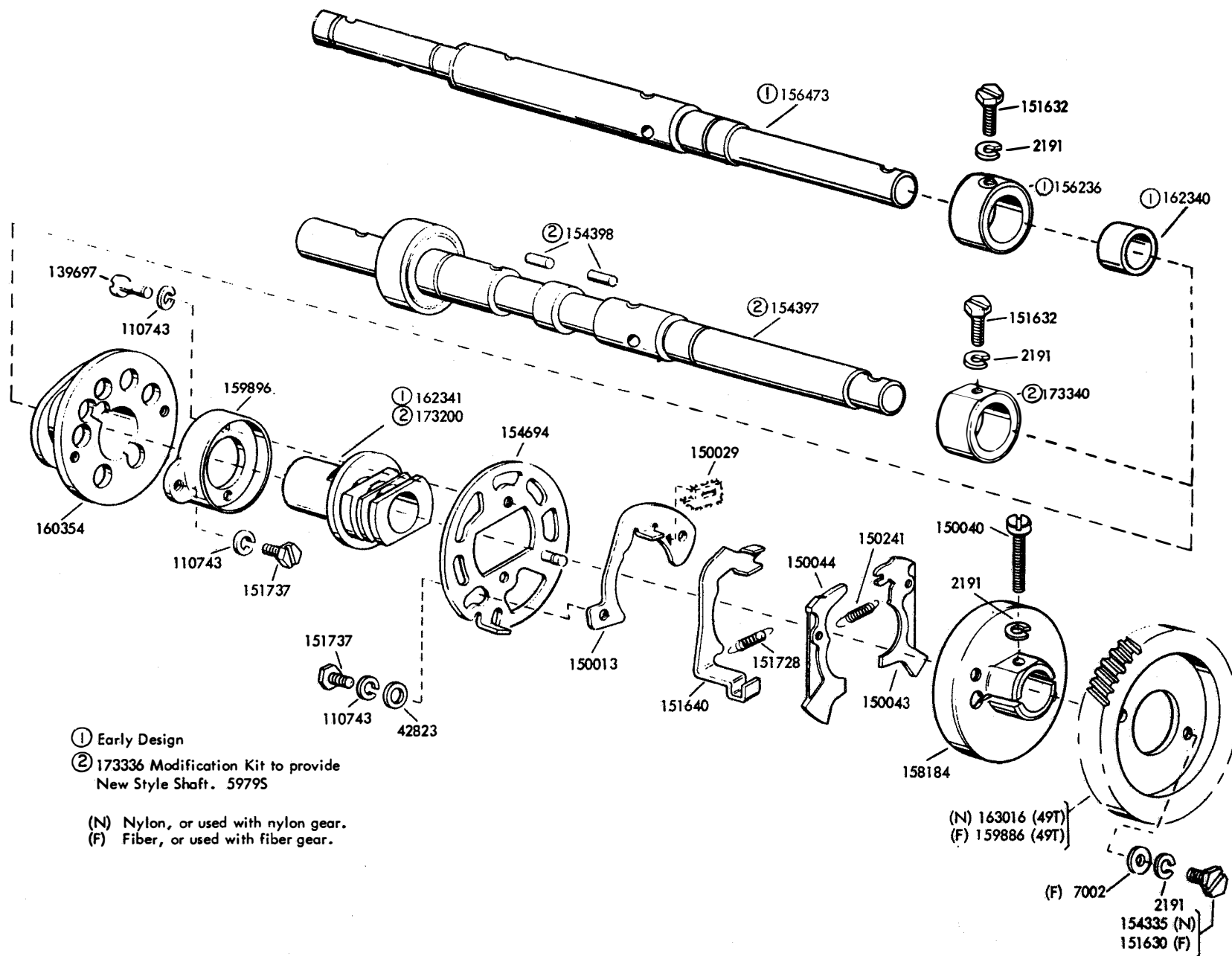


Figure 7-95. Main Shaft Mechanism, Typing Perforator

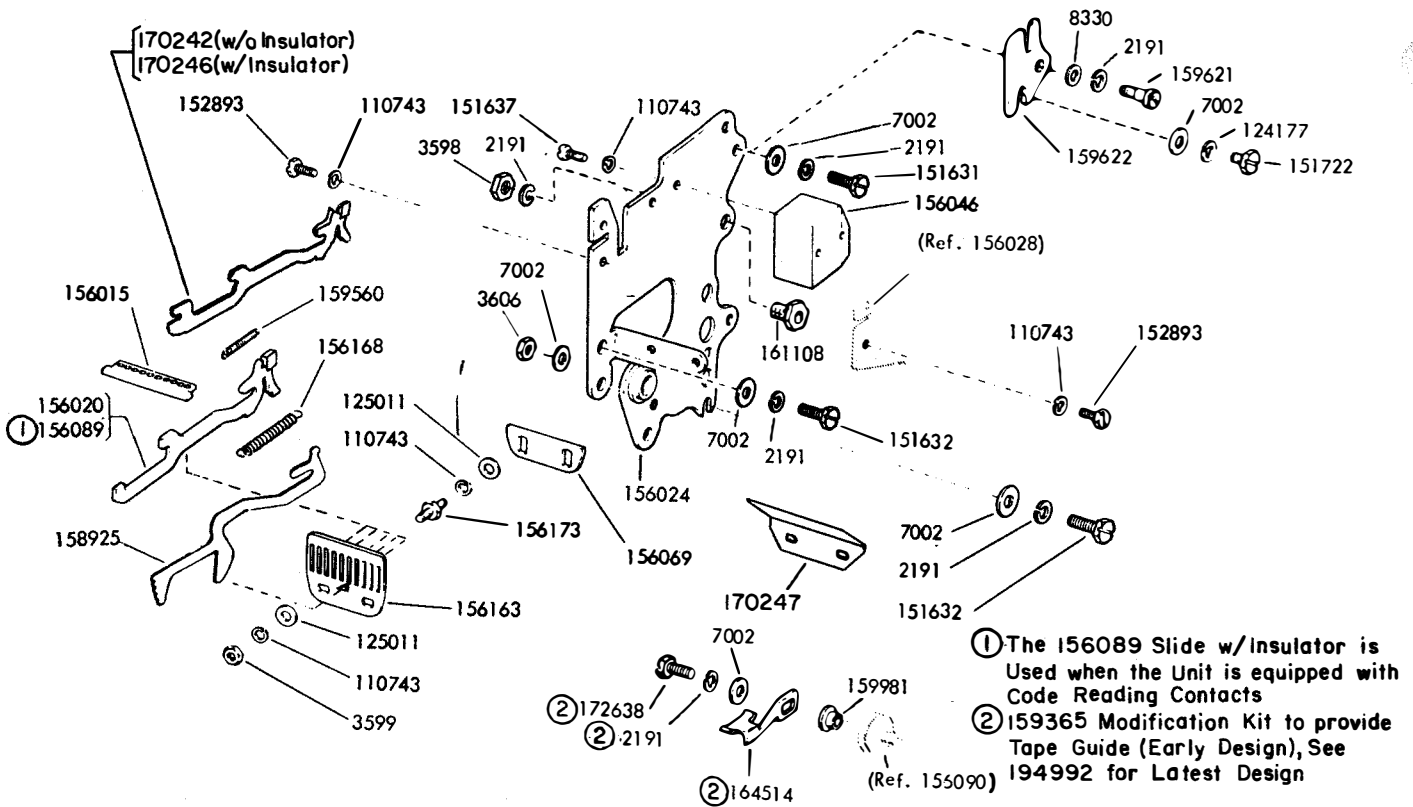


Figure 7-96. Punch Rear Plate Mechanism, Typing Perforator

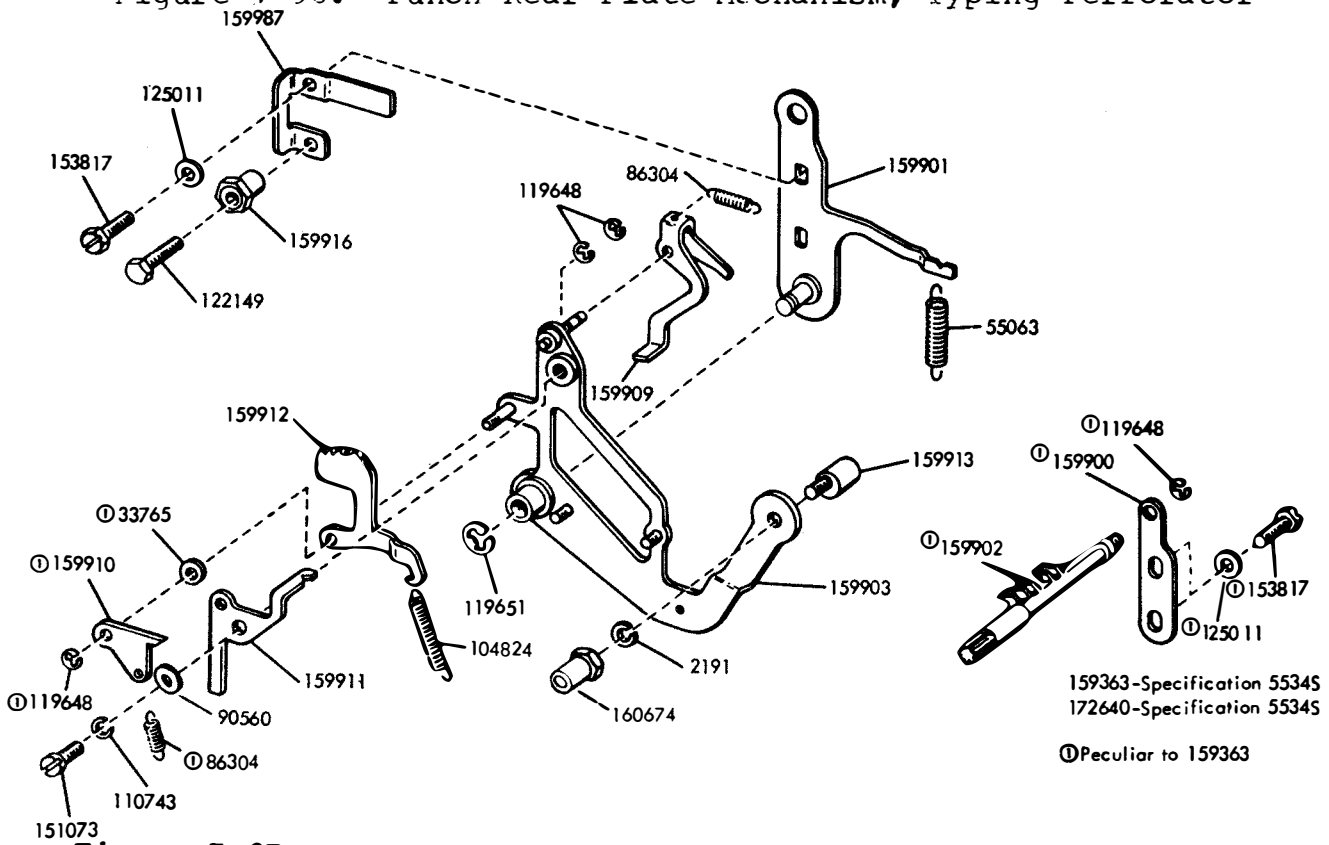


Figure 7-97. Modification Kit 159363 and 172640 to Add Manual Backspace, Typing Perforator

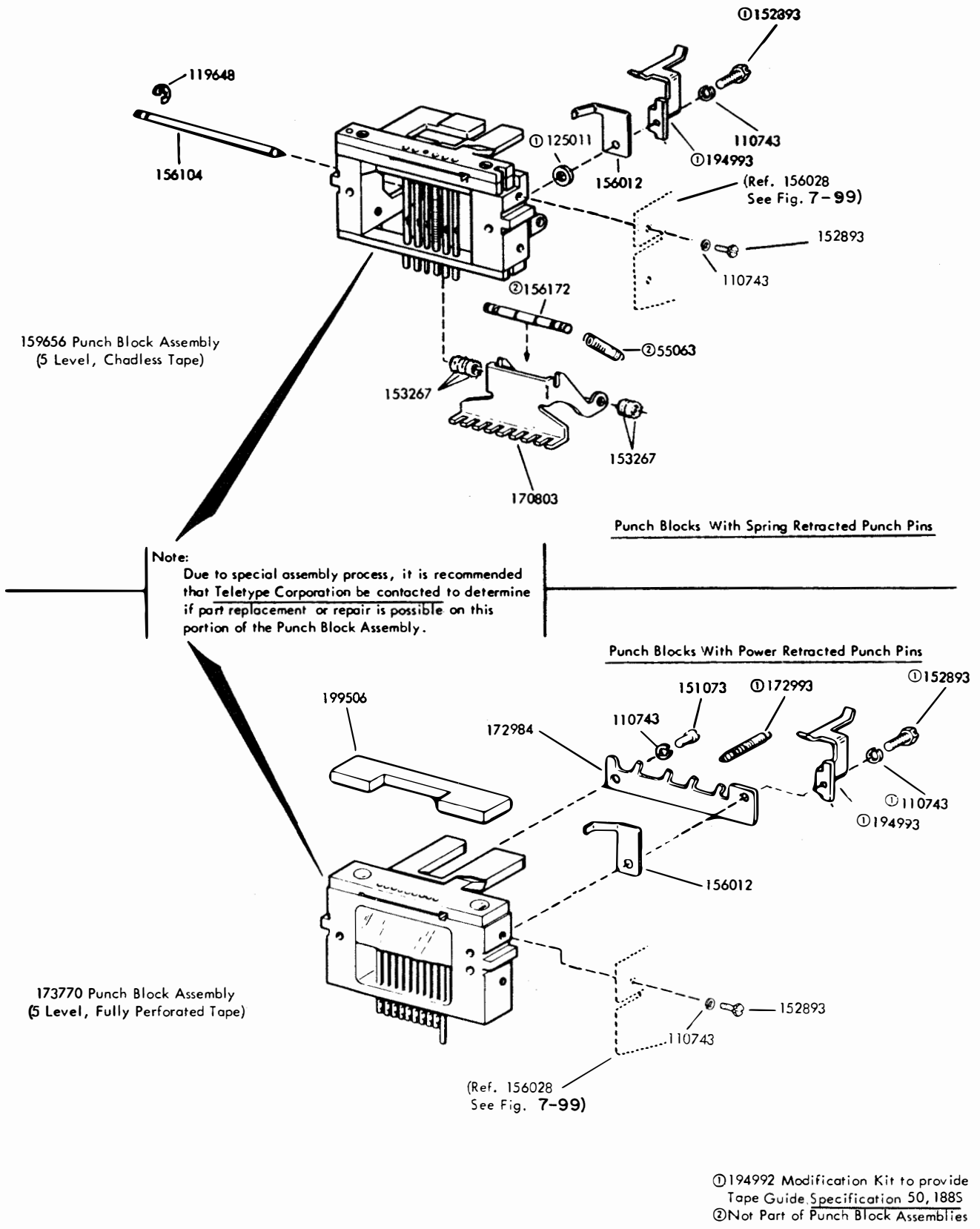
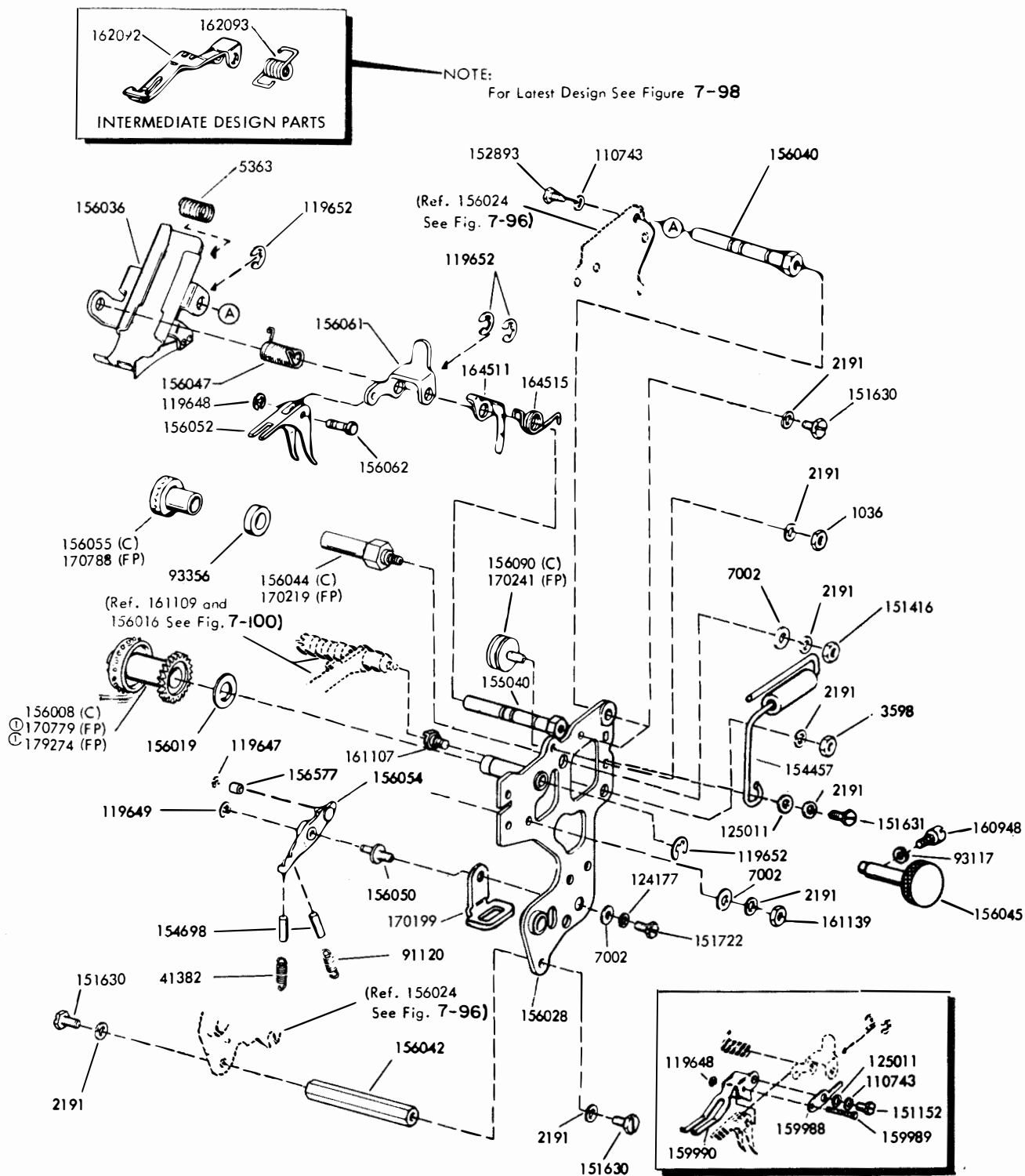


Figure 7-98. Punch Block Assemblies, Typing Perforator



① When used with the 170778 punch block assembly the 170779 feed wheel produces tape with the feed hole indent punched out. The 179274 feed wheel places the indent between the feed holes and is identified by a black dot on the shank.

(C) Chadless Tape
(FP) Fully Perforated Tape

Figure 7-99. Punch Front Plate Mechanism, Typing Perforator

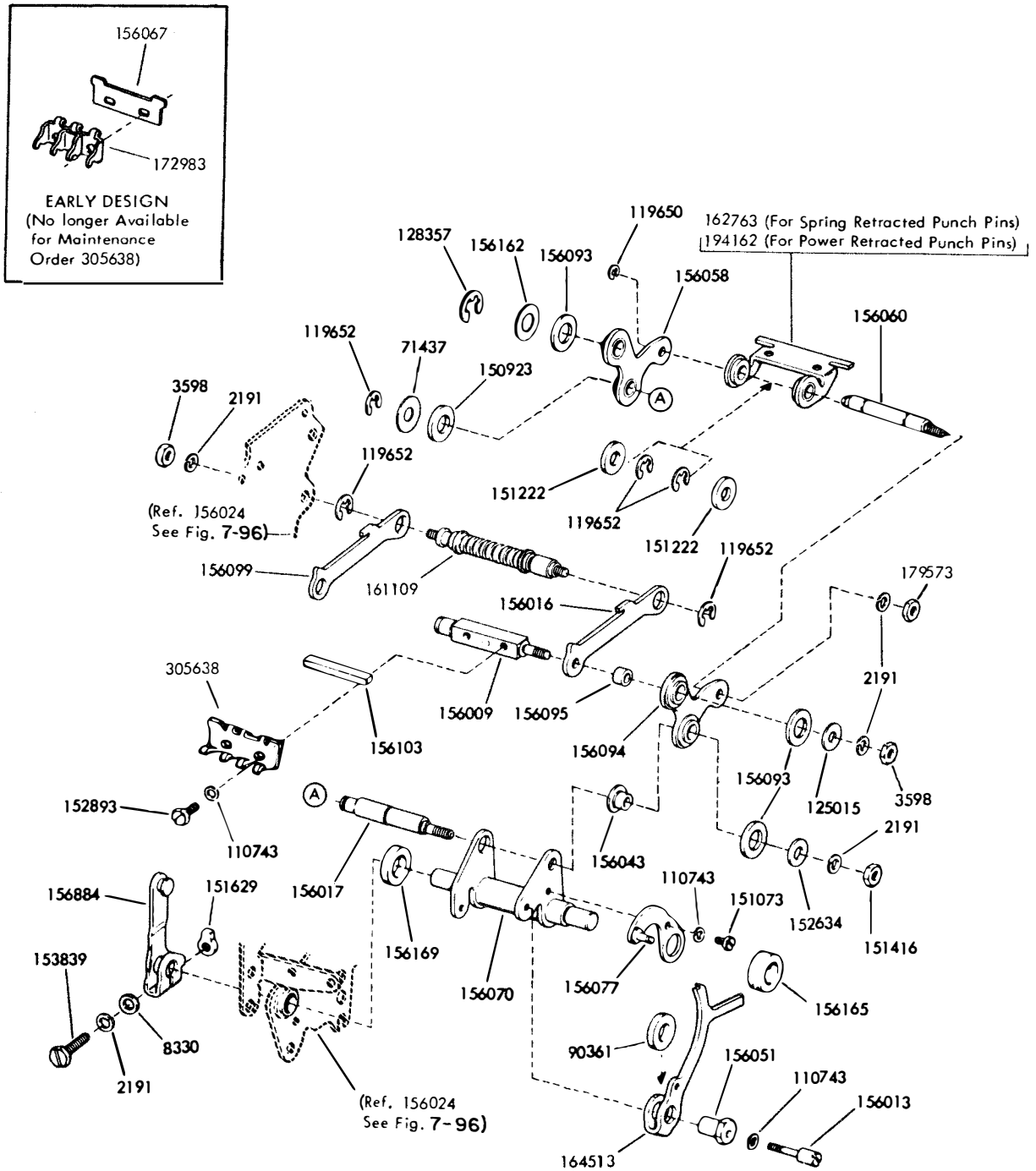


Figure 7-100. Punch Bail Mechanism, Typing Perforator

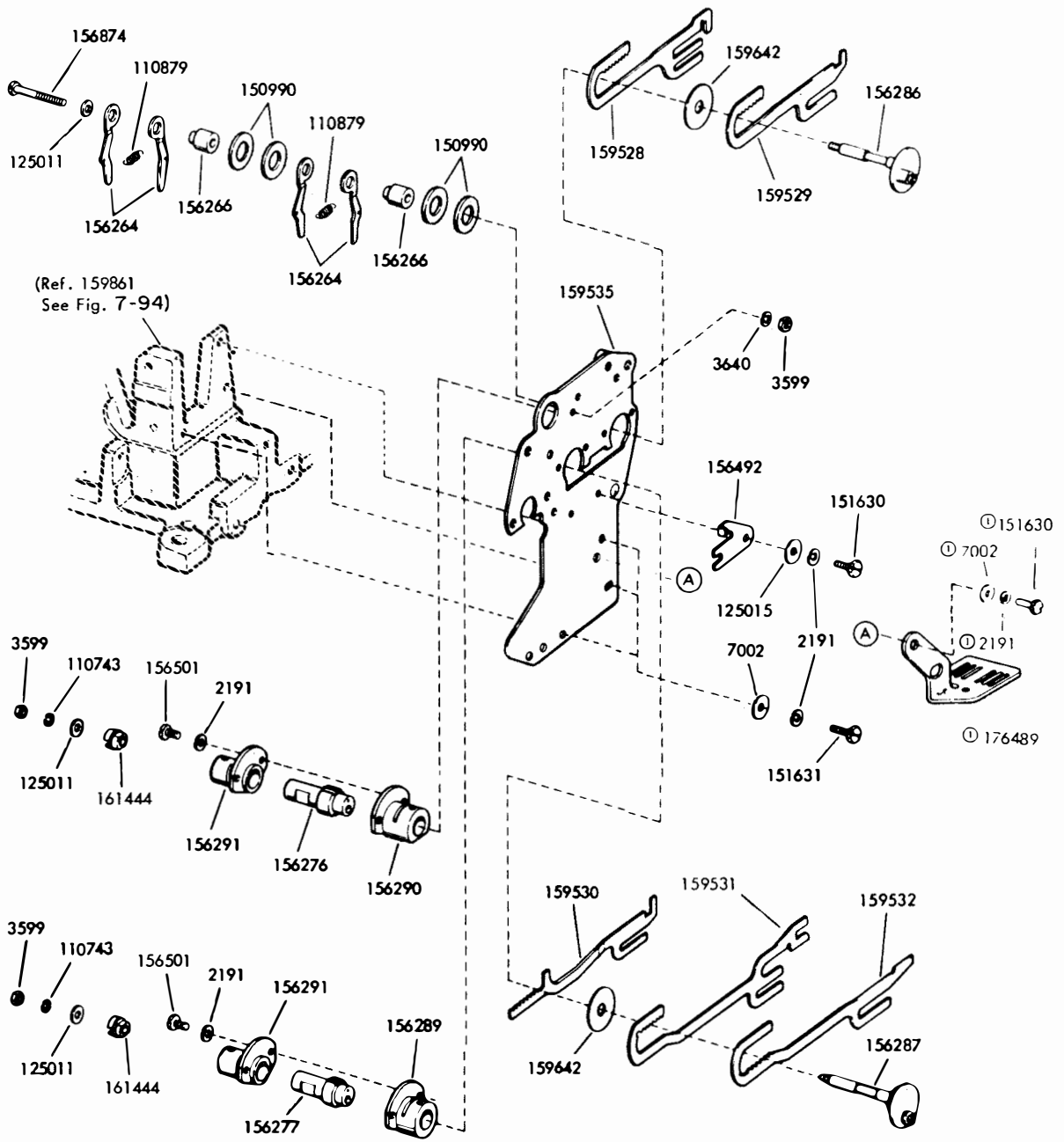


Figure 7-101. Rotary Positioning Mechanism, Typing Perforator
(Sheet 1 of 2)

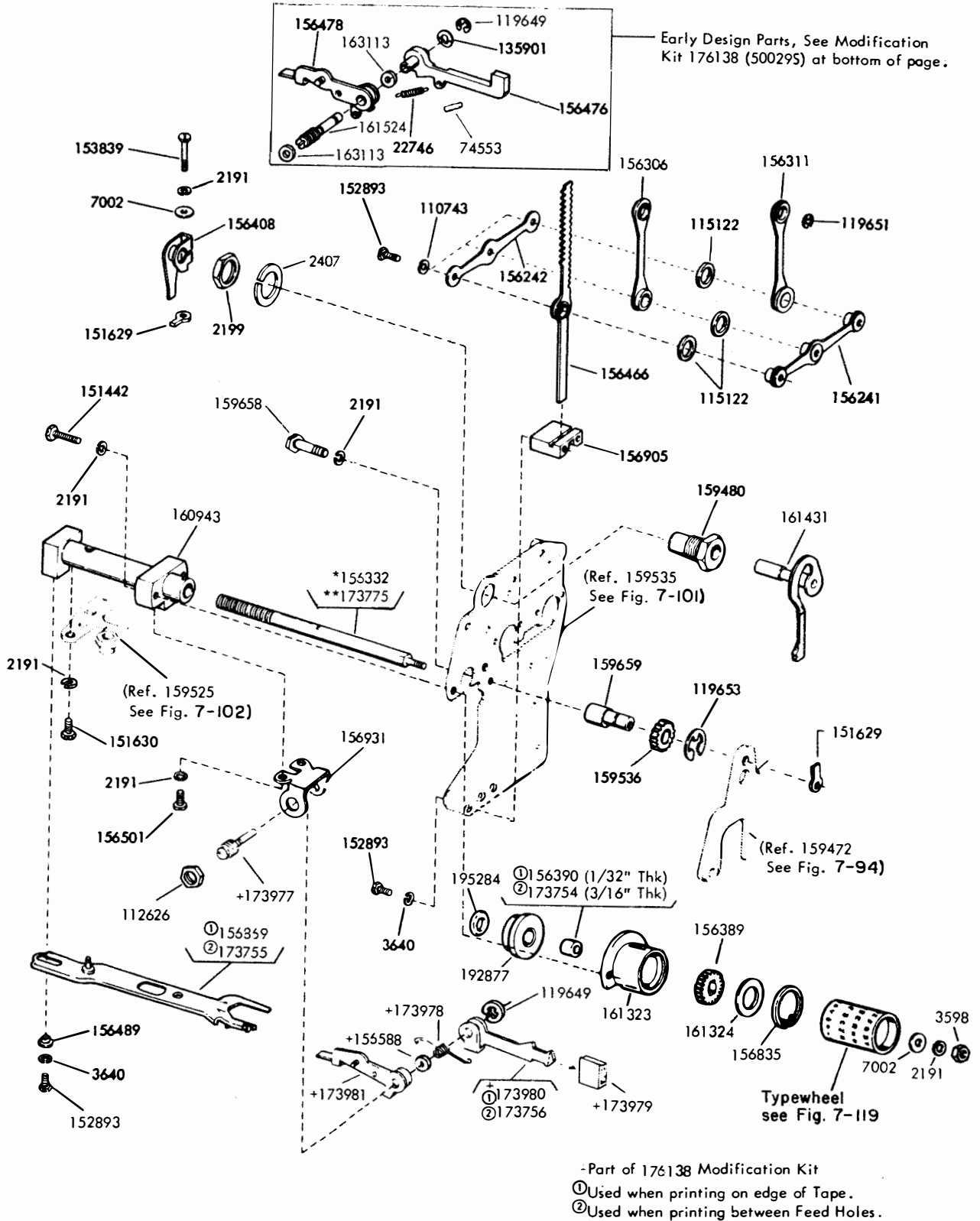


Figure 7-101. Rotary Positioning Mechanism, Typing Perforator (Sheet 2 of 2)

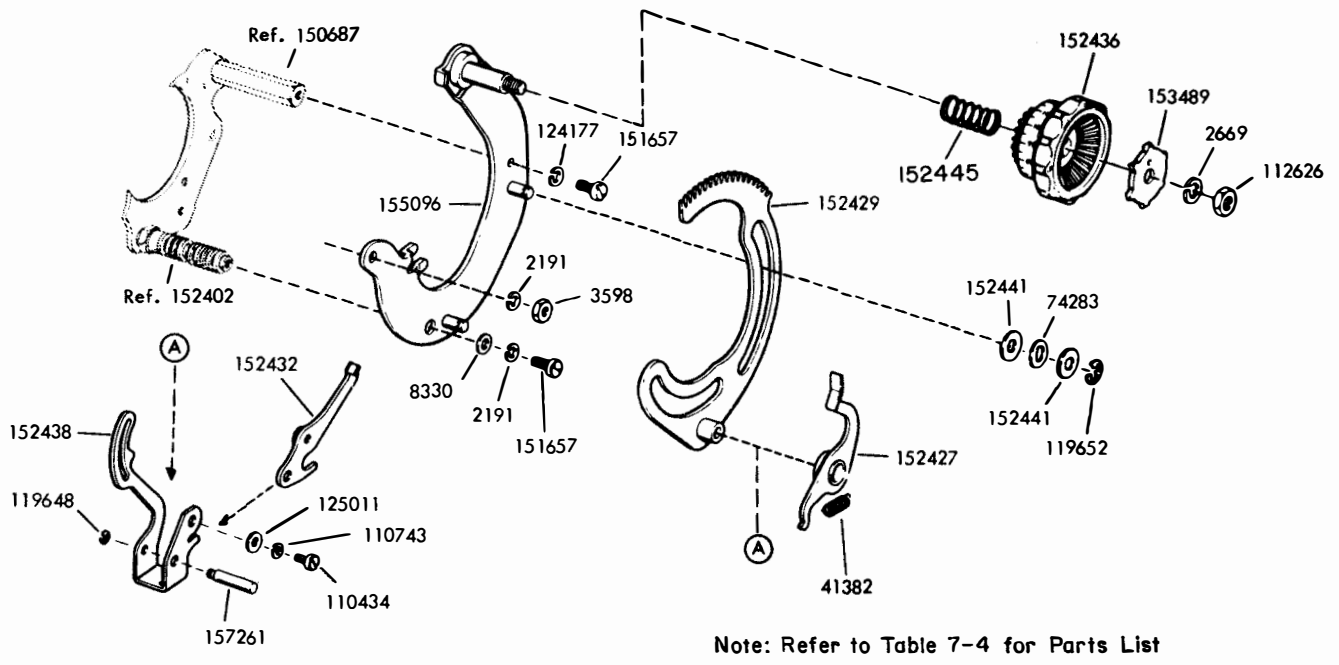


Figure 7-103. Range Finder Mechanism

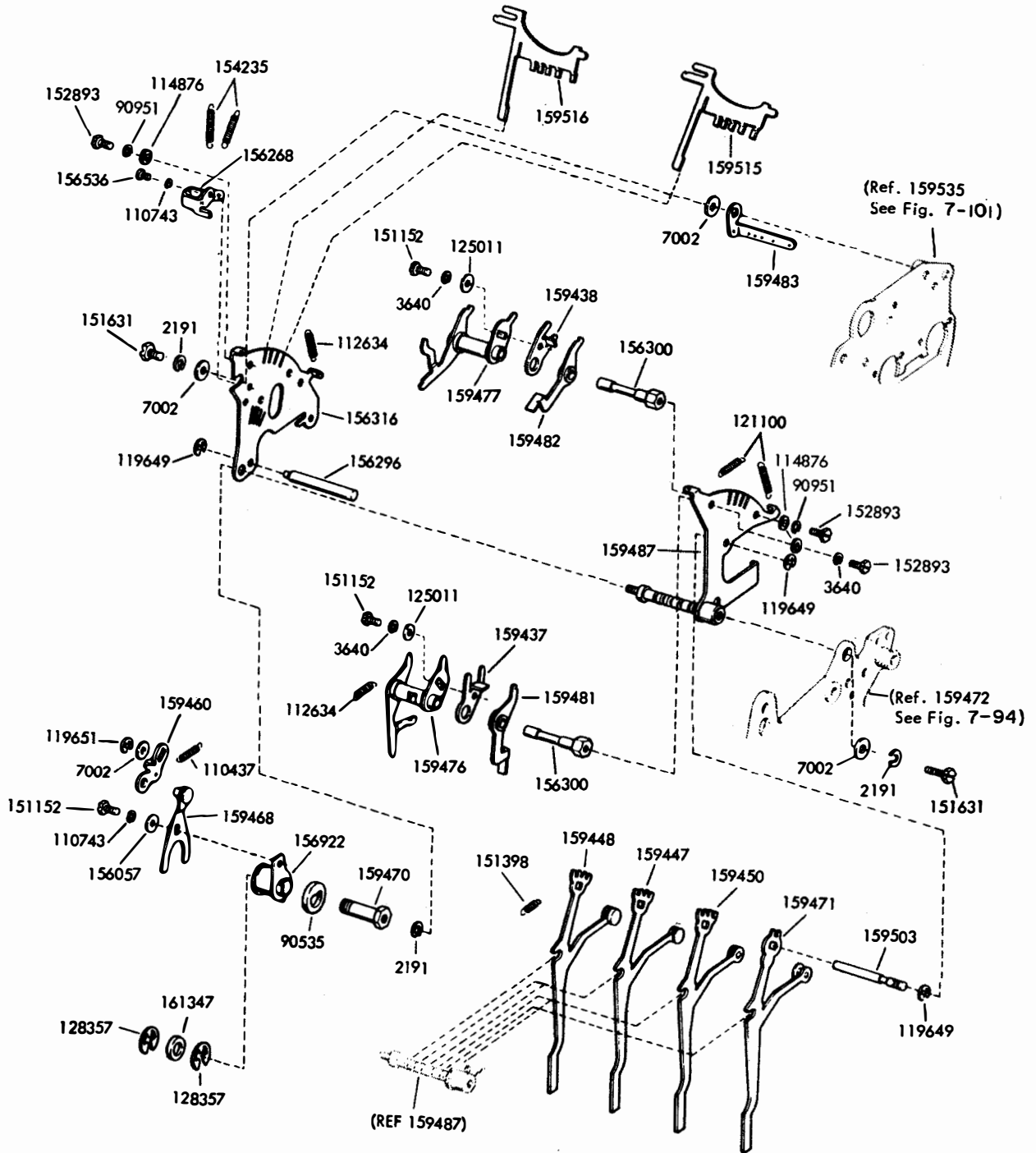
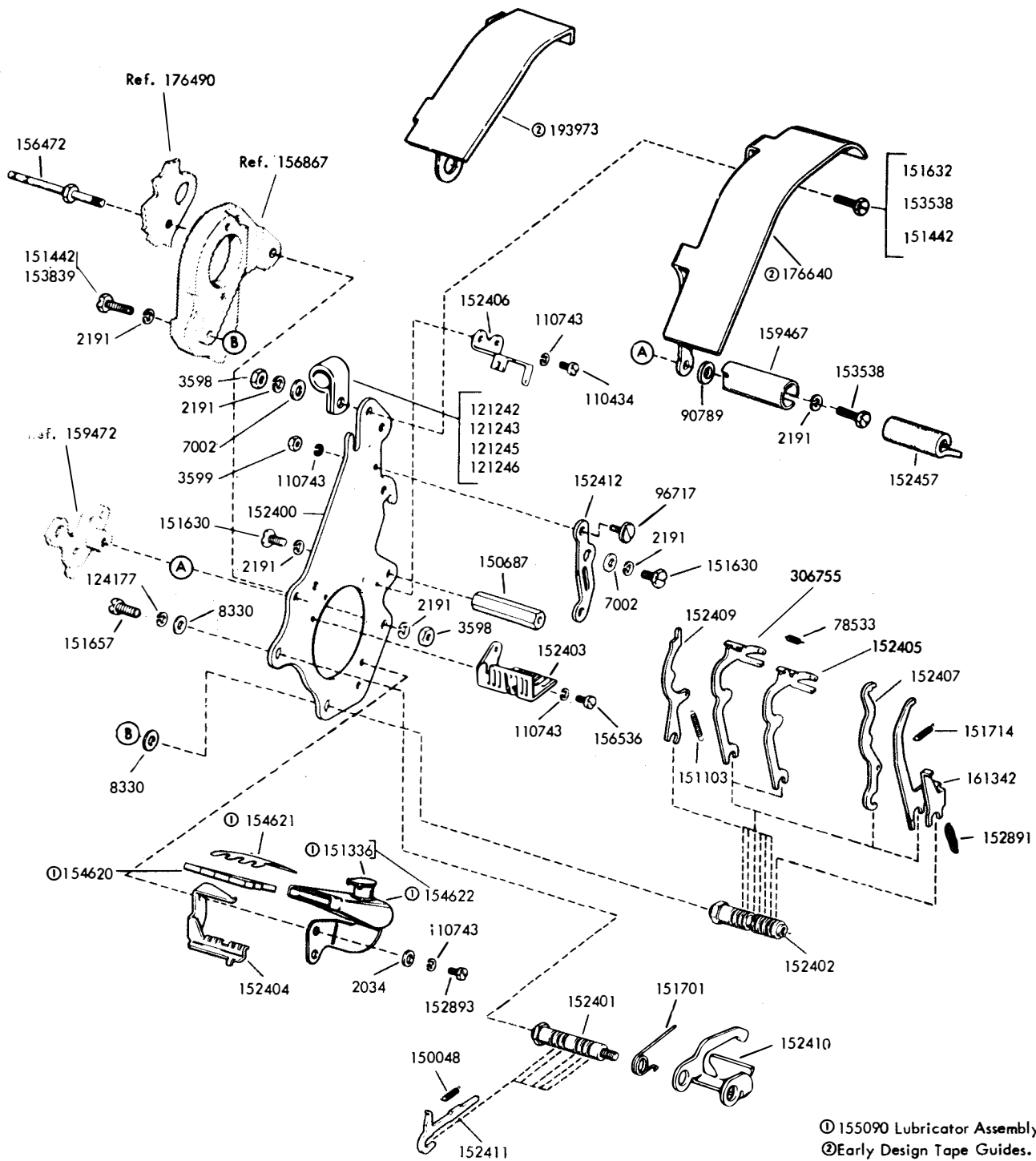


Figure 7-104. Function Box Mechanism, Typing Perforator



Note: Refer to Table 7-4 for Parts List

Figure 7-105. Selecting Mechanism Used on High-Level Sets

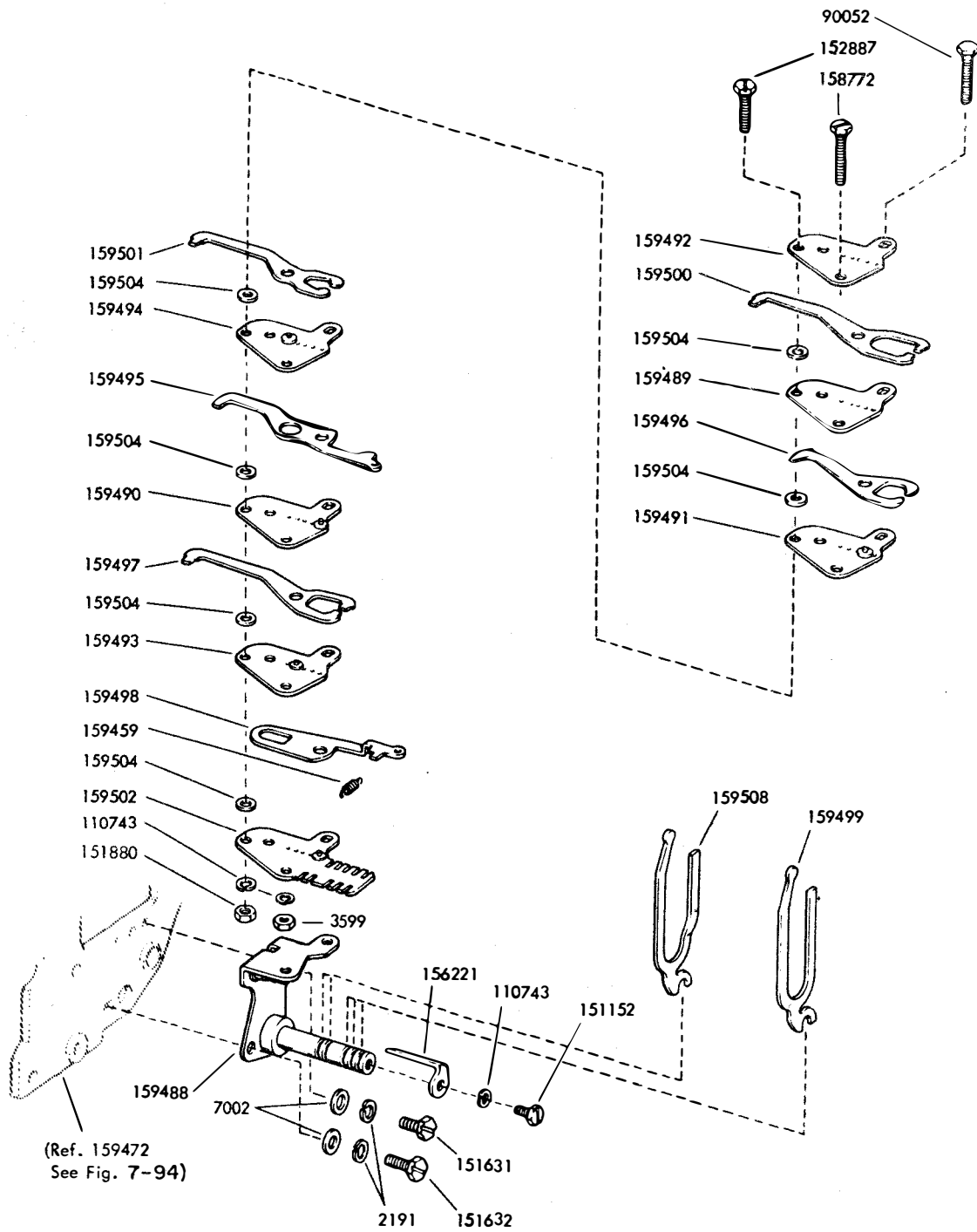
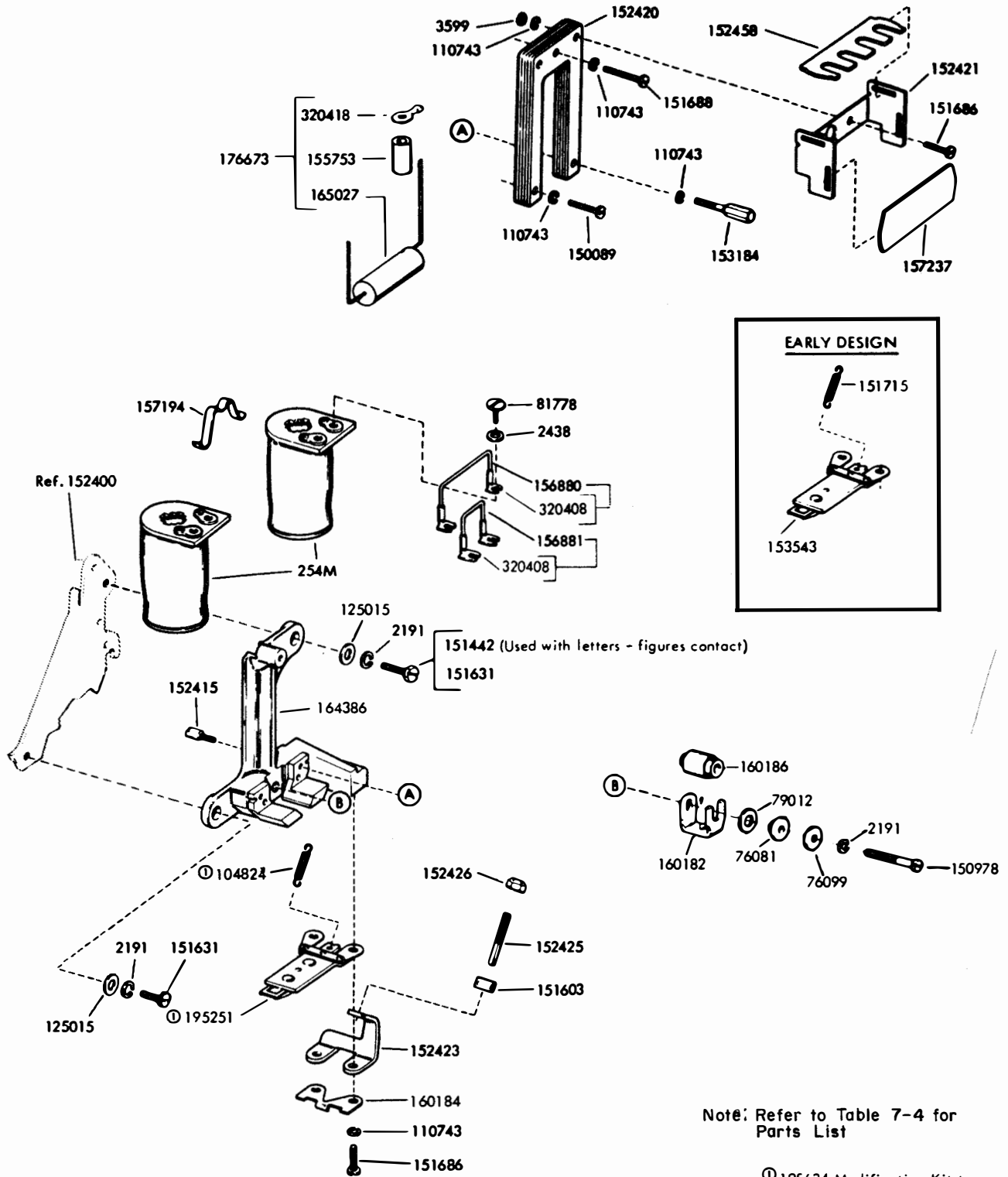


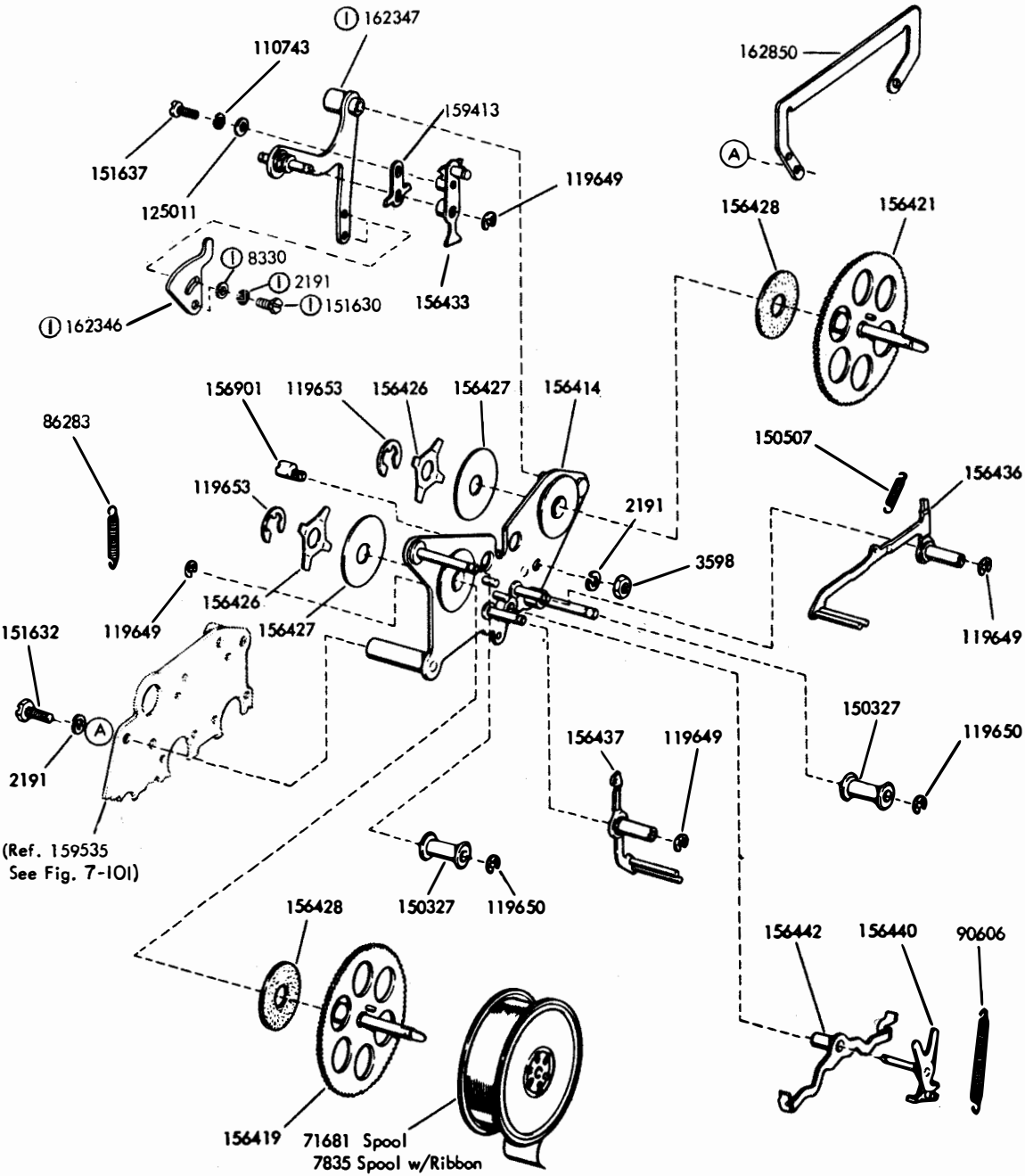
Figure 7-106. Transfer Mechanism, Typing Perforator



Note: Refer to Table 7-4 for Parts List

ⓐ 195634 Modification Kit to provide quick release of the armature. (New and Early design parts are interchangeable only in pairs). Specification 501655

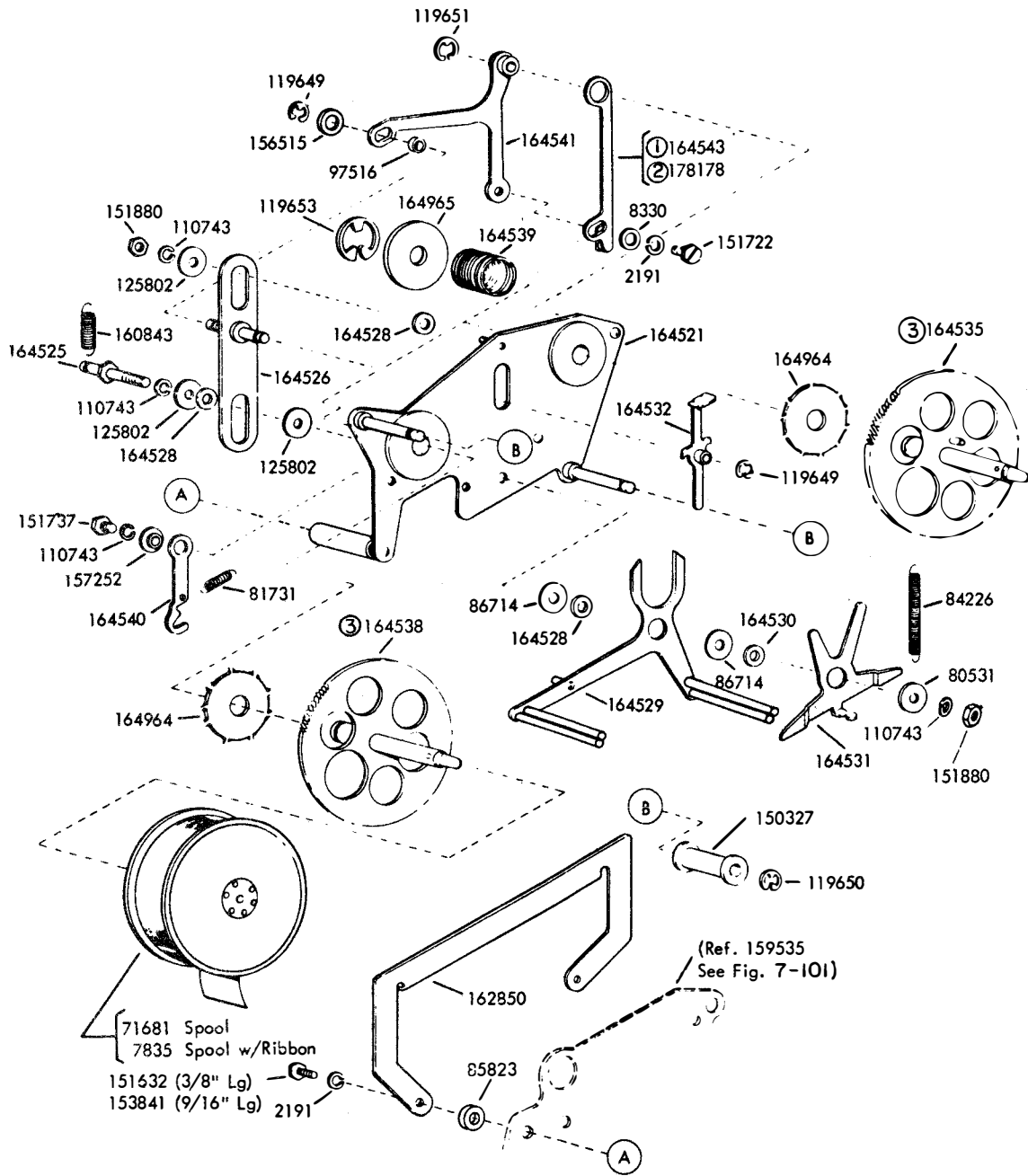
Figure 7-107. Selecting Magnet Mechanism Used on High-Level Sets



For Latest Design Ribbon Feed Mechanism See Figure 7-109)

① 154325 Modification Kit to provide LPR with Adjustable Ribbon Drive Arm

Figure 7-108. Ribbon-Feed Mechanism, Early Design, Typing Perforator



For Early Design Ribbon Feed Mechanism See Figure 7-108

- ① Peculiar to units equipped with spring retracted Punch pins.
- ② Peculiar to units equipped with power retracted Punch pins.
- ③ A 179579 Decalcomania which shows direction of "Ribbon to Roller" is available.

Figure 7-109. Ribbon-Feed Mechanism, Typing Perforator

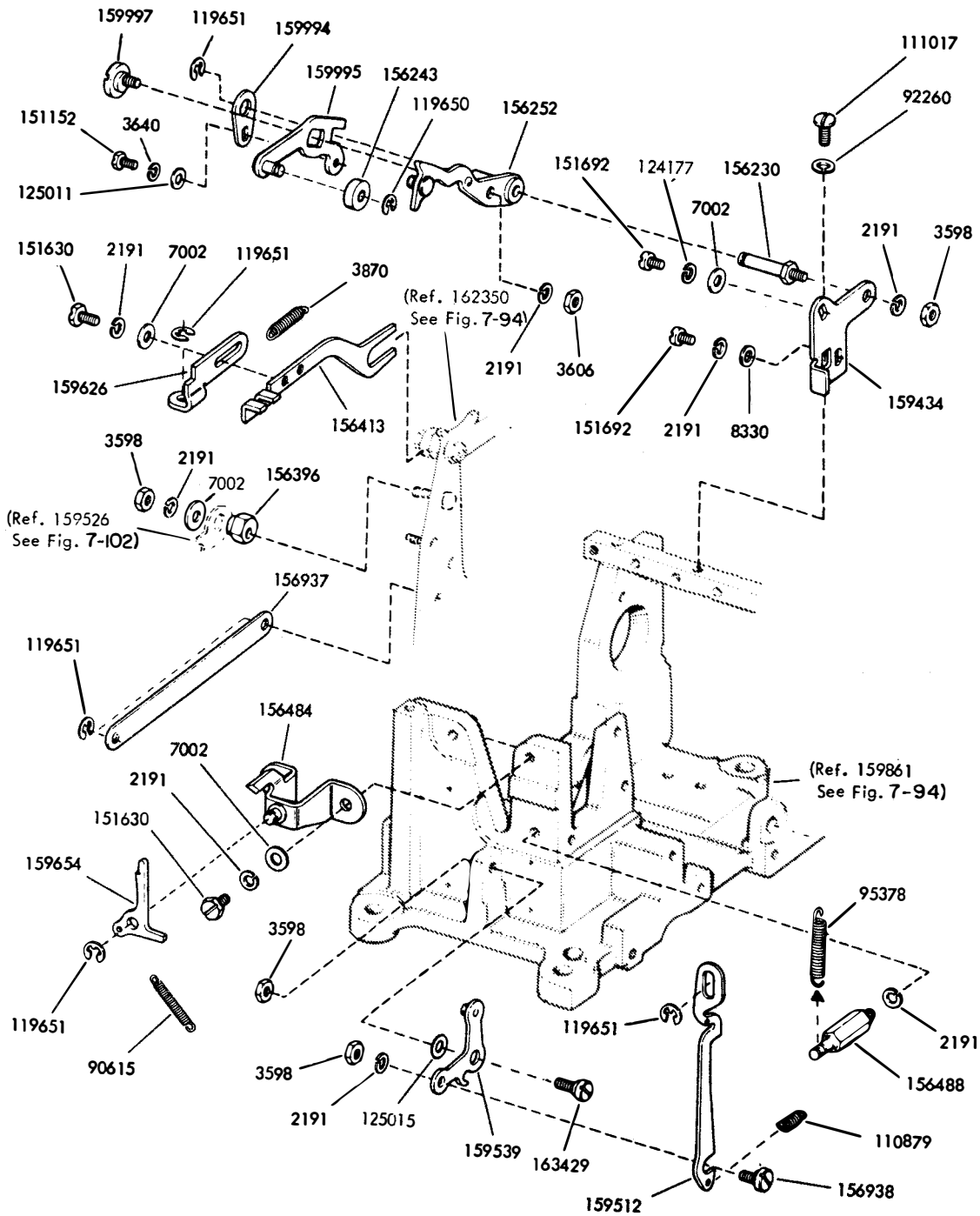


Figure 7-110. Typing Mechanism, Typing Perforator

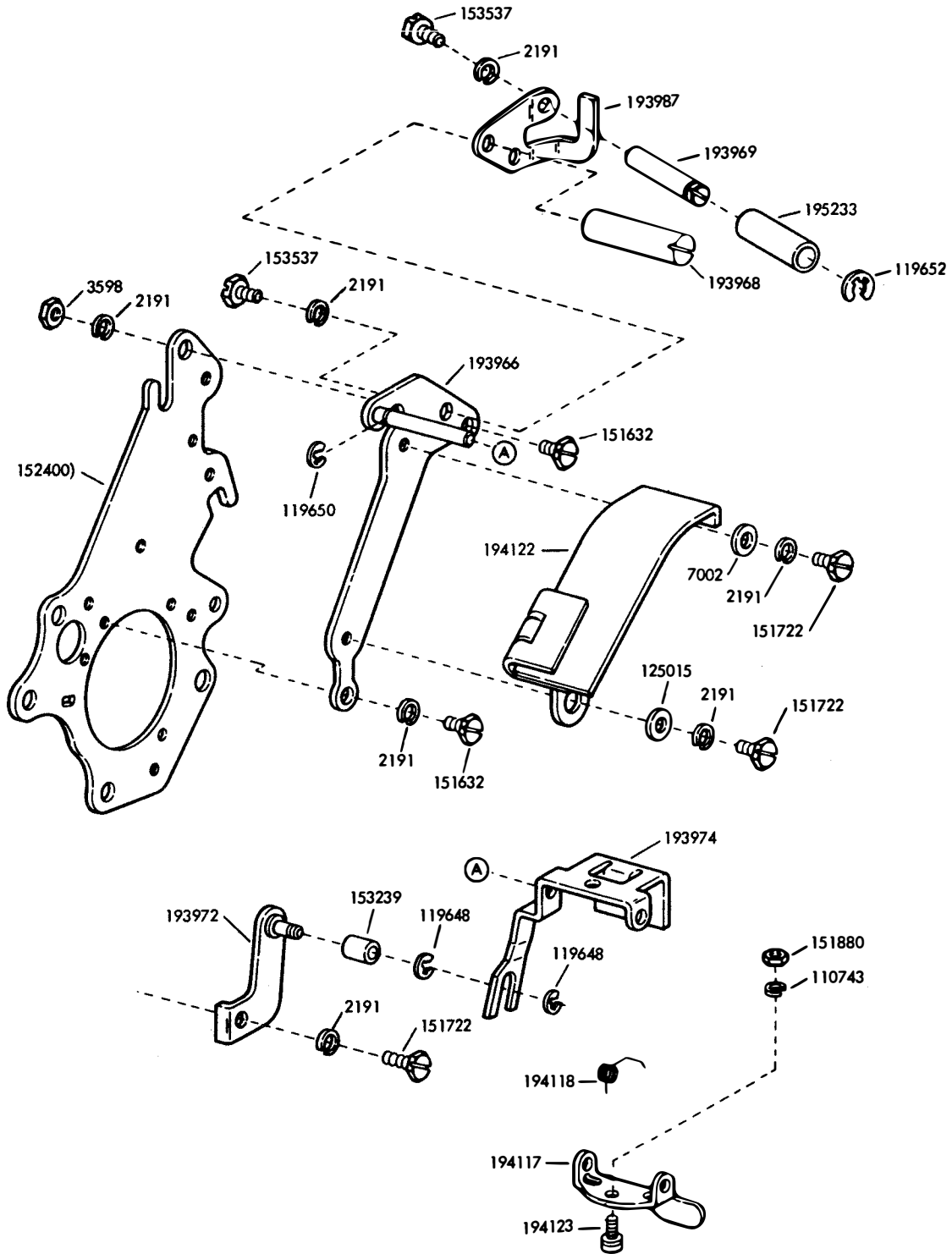


Figure 7-111. Tape Depressor Mechanism, Typing Perforator

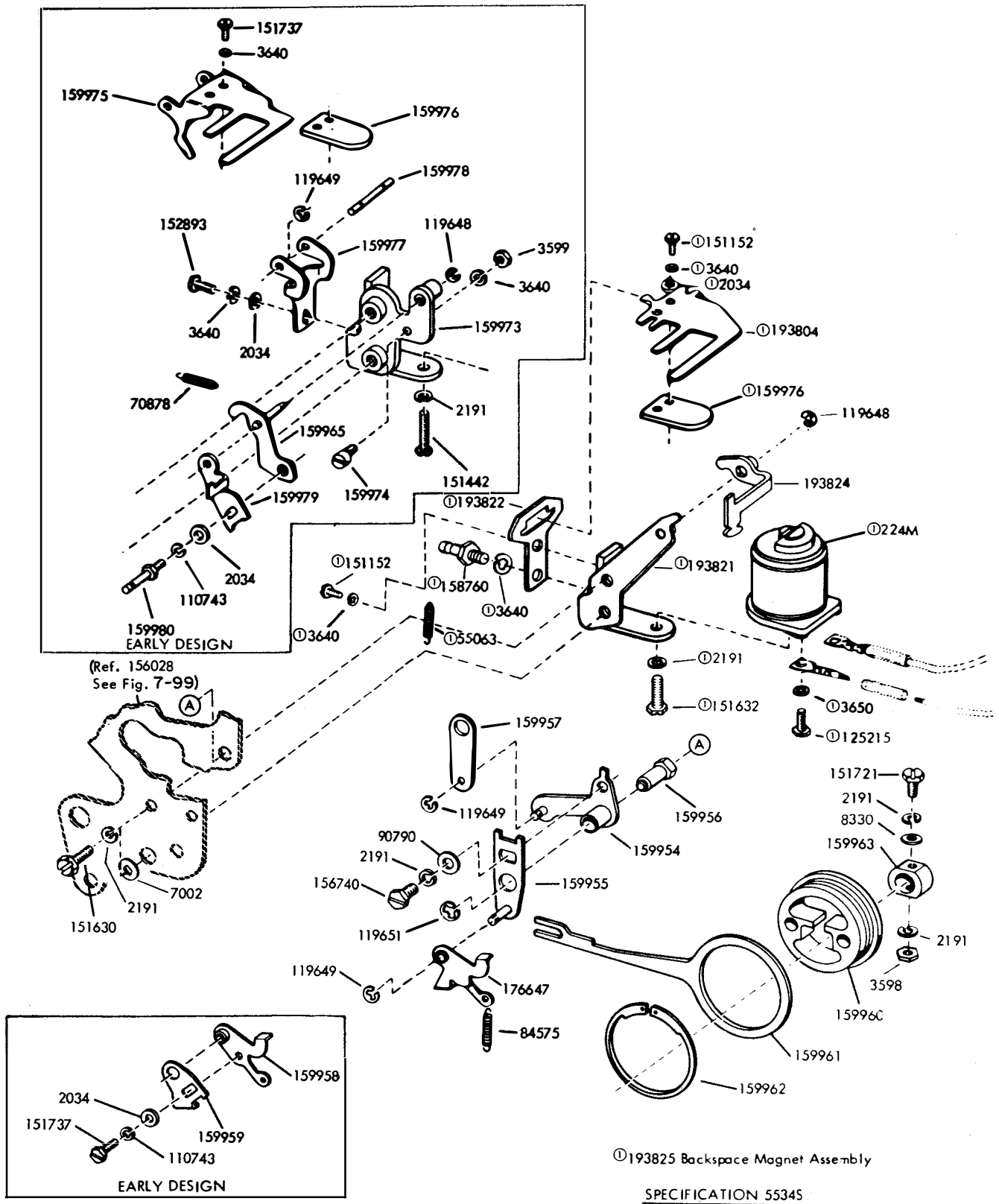


Figure 7-112. Modification Kit 159364 to Add Power Drive to Backspace, Typing Perforator

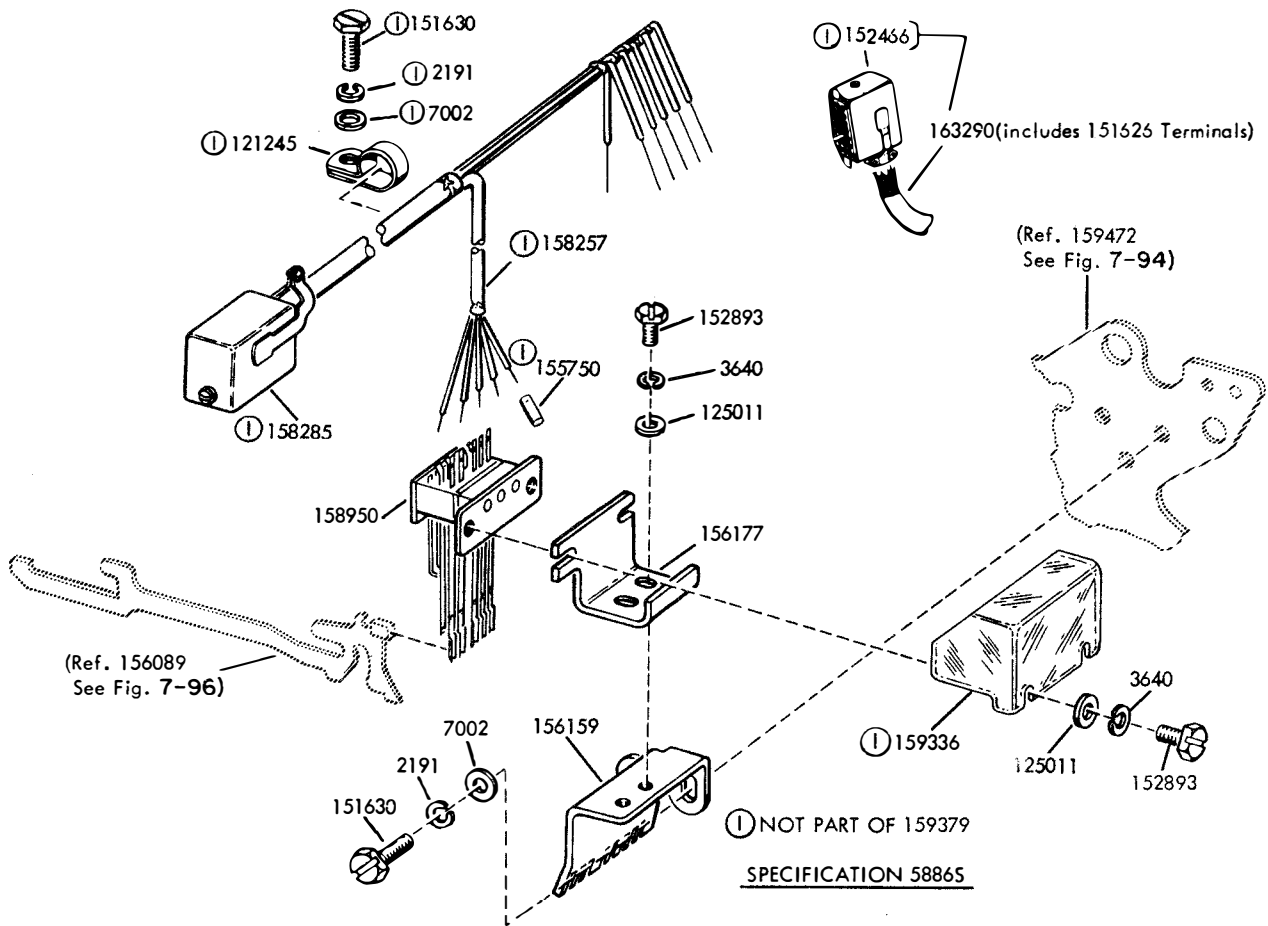


Figure 7-113. Modification Kit 159379 to Add Make-Only Code Reading Contacts, Typing Perforator

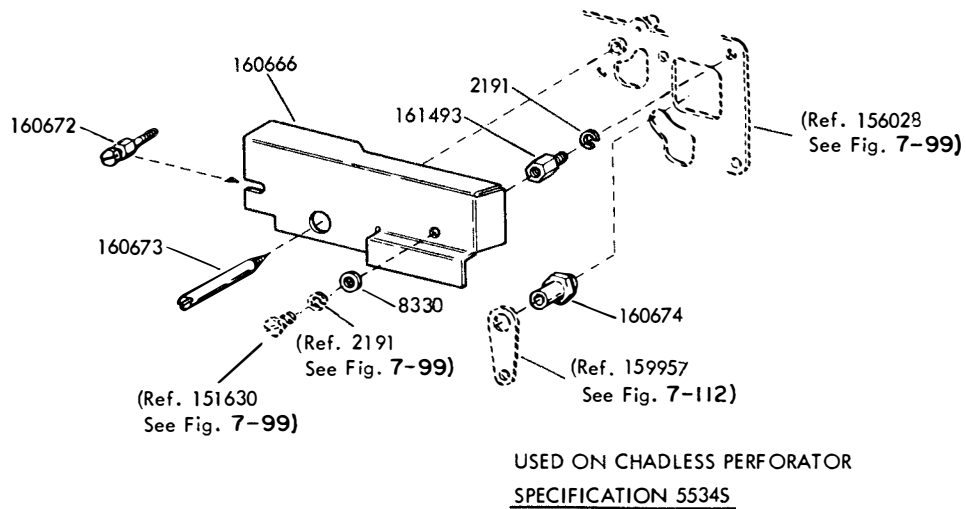


Figure 7-114. Modification Kit 160881 to Add Guard to Cover Backspace Mechanism, Typing Perforator

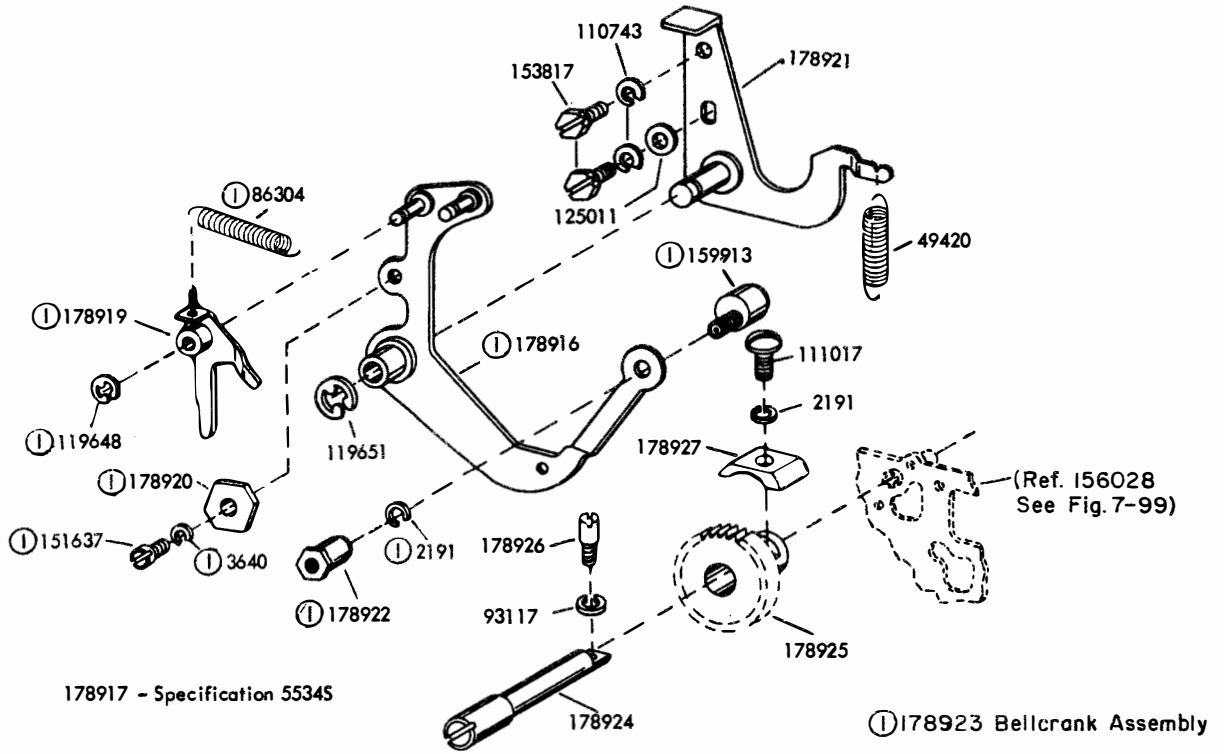


Figure 7-115. Modification Kit 178917 to Provide Backspace Mechanism for Fully Perforated Tape and Printing Between Feed Holes, Typing Perforator

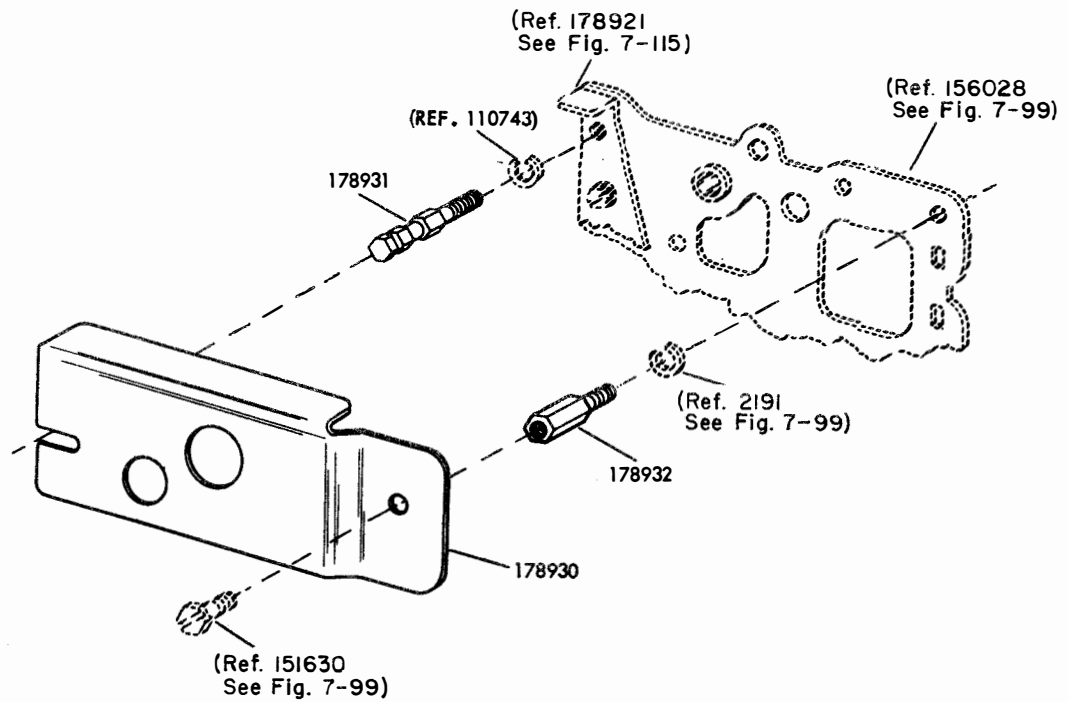
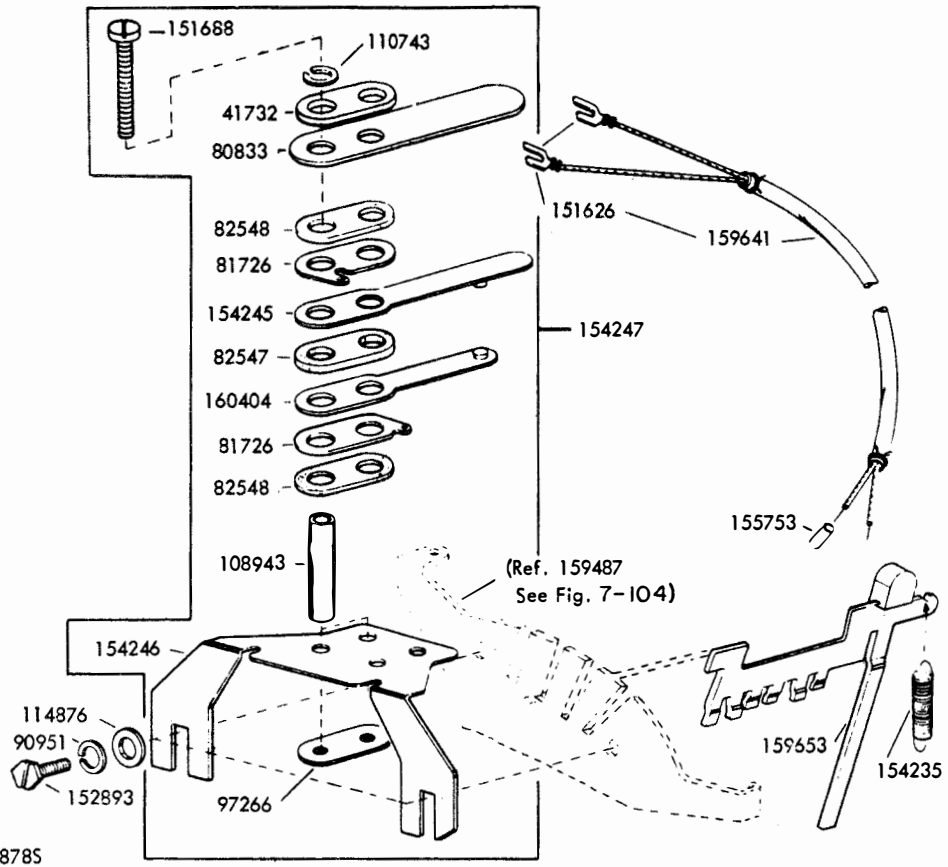
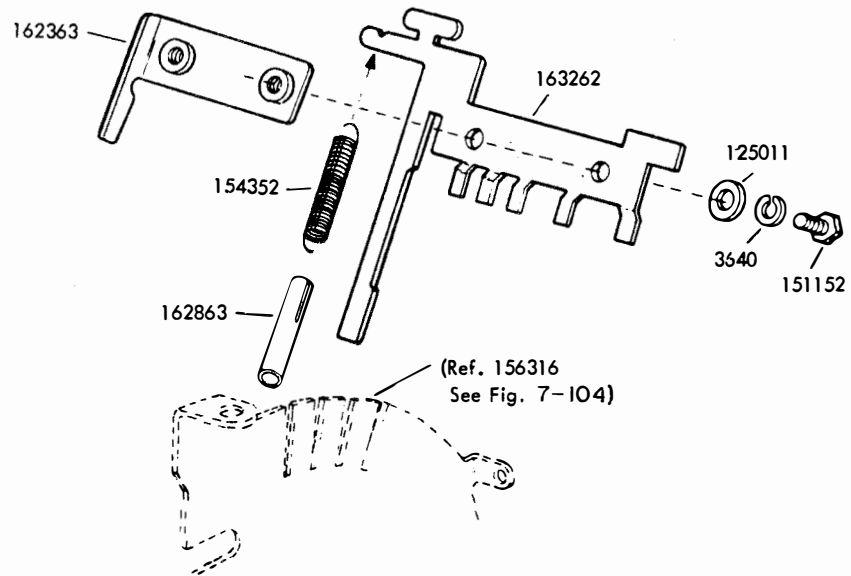


Figure 7-116. Modification Kit 178918 to Provide Guard for Backspace Mechanism, Typing Perforator



SPECIFICATION 58785

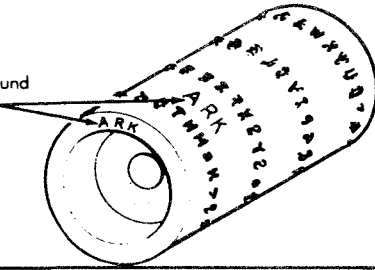
Figure 7-117. Modification Kit 159360 to Add Signal Bell Contact (on Upper Case "S"), Typing Perforator



SPECIFICATION 59095

Figure 7-118. Modification Kit 162375 to Add Unshift-On-Space Typing Perforator

Typewheel Code may be found in either of two locations.



TYPEWHEEL ARRANGEMENT													
COMMUNICATION		COMMUNICATION		COMMUNICATION		FRACTION		FRACTION		FRACTION		WEATHER	
CODE	PART NUMBER	CODE	PART NUMBER	CODE	PART NUMBER	CODE	PART NUMBER	CODE	PART NUMBER	CODE	PART NUMBER	CODE	PART NUMBER
AWA	173967	AFU	175690	AWJ	175573	ABA	175586	AGM	307306	AXY	175520	ARE	173970
ABD	175588	AFV	175691	AWM	175576	ABC	175587	AGP	307308	AXZ	175521	ABZ	175607
ABE	175589	AFW	175692	AWU	175582	ABG	175591	AGT	307311	AYB	175523	ADH	175636
ABF	175590	AFX	175693	AXE	175504	ABM	175596	AGU	307312	AYE	175526	ADR	175643
ABH	175592	AFY	175694	AXG	175506	ABN	175597	AGW	307314	AYG	175528	AGS	307310
ABJ	175593	AGA	175696	AXH	175507	ABR	175599	AGX	307315	AYL	175532	AHT	307333
ABL	175595	AGE	307300	AXP	175513	ABU	175602	AGY	307316	AYP	175535	AJG	307346
ABP	175598	AGK	307304	AXR	175514	ABV	175603	AGZ	307317	AYS	175537	AJK	307348
ABS	175600	AGN	307307	AXU	175517	ABX	175605	AHB	307319	AYT	175538	AJM	307350
ABT	175601	AGR	307309	AYC	175524	ABY	175606	AHE	307322	AYV	175544	AJR	307353
ABW	175604	AHA	307318	AYF	175527	ACB	175609	AHK	307326	AZE	175552	AKD	307364
ACA	175608	AHC	307320	AYH	175529	ACE	175611	AHL	307327	AZG	175554	ARM	163677
ACD	175610	AHD	307321	AYK	175531	ACG	175613	AHM	307328	AZM	175559	ARW	163683
ACF	175612	AHF	307323	AYM	175533	ACH	175614	AHR	307331	AZN	175561	AWB	163685
ACL	175617	AHN	307329	AYR	175536	ACJ	175615	AHV	307335	AZV	175567	AWE	163688
ACM	175618	AHP	307330	AYU	175543	ACK	175616	AJB	307341	BRB	175701	AWP	175578
ACN	175619	AHS	307332	AZC	175550	ACR	175621	AJD	307343	BRG	175706	AWY	175584
ACP	175620	AHU	307334	AZH	175555	ACS	175622	AJE	307344	BRJ	175708	AWZ	175585
ACT	175623	AHW	307336	AZJ	175556	ACZ	175629	AJH	307347	BRW	175719	AXA	175500
ACU	175624	AHX	307337	AZK	175557	ADA	175630	AJL	307349	BRX	175720	AXC	175502
ACV	175625	AHY	307338	AZP	175560	ADC	175632	AJP	307351	BWD	175723	AXD	175503
ACW	175626	AJA	307340	AZG	175562	ADE	175633	AJT	307355	BWM	175731	AXF	175505
ACX	175627	AJC	307342	AZT	175565	ADF	175634	AJW	307357	BWY	175740	AXS	175515
ACY	175628	AJF	307345	AZU	175566	ADK	175638	AJX	307358	BXB	175743	AYA	175522
ADB	175631	AJS	307354	AZW	175568	ADM	175640	AKA	307361	BXD	175745	AYD	175525
ADJ	175637	AJU	307356	AZX	175569	ADP	175642	AKB	307362	BXK	175751	AYJ	175539
ADL	175639	AJZ	307360	AZY	175570	ADS	175644	AKC	307363			AYN	175534
ADT	175645	AKF	307366	BRL	175710	ADV	175647	AKE	307365			AYX	175546
ADU	175646	AKG	307367	BRN	175712	ADX	175649	AKH	307368			AYZ	175547
ADW	175648	AKJ	307369	BRP	175713	ADY	175650	AKS	307375			AZF	175553
AED	175655	AKL	307370	BRQ	175714	ADZ	175651	AKT	307376			AZL	175558
AEF	175656	AKM	307371	BRT	175716	AEA	175652	AKV	307378			AZR	175563
AEG	175657	AKN	307372	BWC	175700	AEB	175653	AKX	307380			AZS	175564
AEH	175658	AKP	307373	BWH	175727	ABJ	175659	ALB	307384			BRF	175705
AEK	175660	AKR	307374	BWJ	175728	AEP	175664	ARC	173971			BRH	175707
AEL	175661	AKU	307377	BWK	175729	AER	175665	ARJ	173968			BRK	175709
AEM	175662	AKW	307379	BWL	175730	AET	175667	ARP	163678			BR5	175715
AEN	175663	AKY	307381	BWN	175732	AFA	175674	ART	163680			BRV	175718
AES	175666	AKZ	307382	BWP	175733	AFD	175677	ARU	163689			BRY	175721
AEV	175669	ALA	307383	BWR	175734	AFE	175678	AWD	163687			BRZ	175722
AEW	175670	ARA	173965	BWS	175735	AFH	175680	AWK	175574			BWE	175724
AEX	175671	ARK	163675	BWT	175736	AFK	175682	AWN	175577				
AEY	175672	ARL	163676	BWX	175739	AFL	175683	AWR	175579				
AFB	175675	ARS	173969	BWZ	175741	AFN	175685	AWT	175581				
AFC	175676	ARV	163684	BXA	175742	AFZ	175695	AWX	175583				
AFG	175679	ARX	163682	BXC	175744	AGB	175697	AXB	175501				
AFJ	175681	ARY	163681	BXE	175746	AGC	175698	AXL	175510				
AFM	175684	ARZ	163679	BXF	175747	AGD	175699	AXM	175511				
AFP	175686	AWC	163686	BXG	175748	AGF	307301	AXN	175512				
AFR	175687	AWF	163690	BXH	175749	AGH	307302	AXT	175516				
AFS	175688	AWG	175571	BXJ	175750	AGJ	307303	AXV	175518				
AFT	175689	AWH	175572	BXL	175752	AGL	307305	AXW	175519				

Figure 7-119. Type Wheels, Typing Perforator

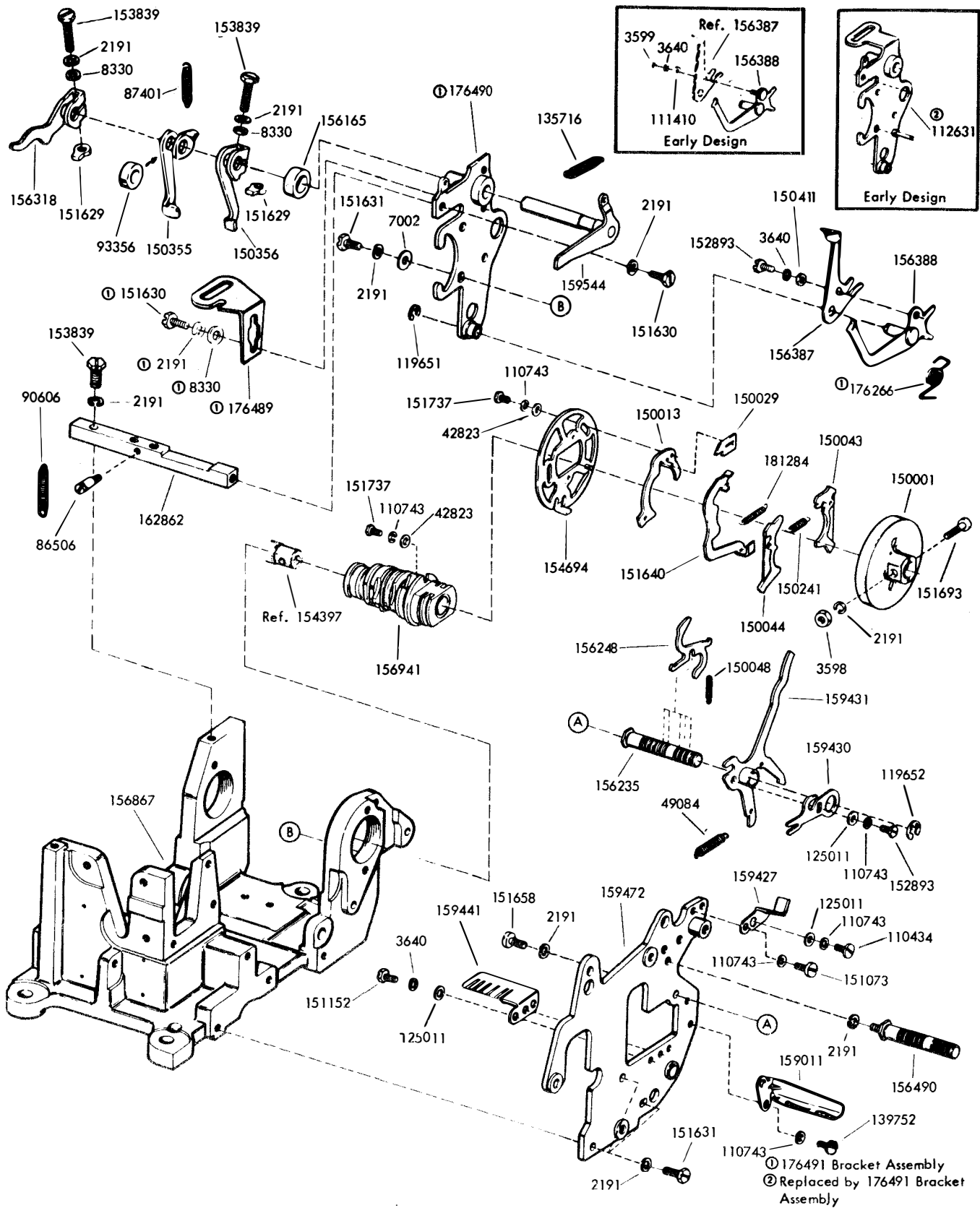


Figure 7-120. One-Shaft Frame Mechanism, Typing Reperforator

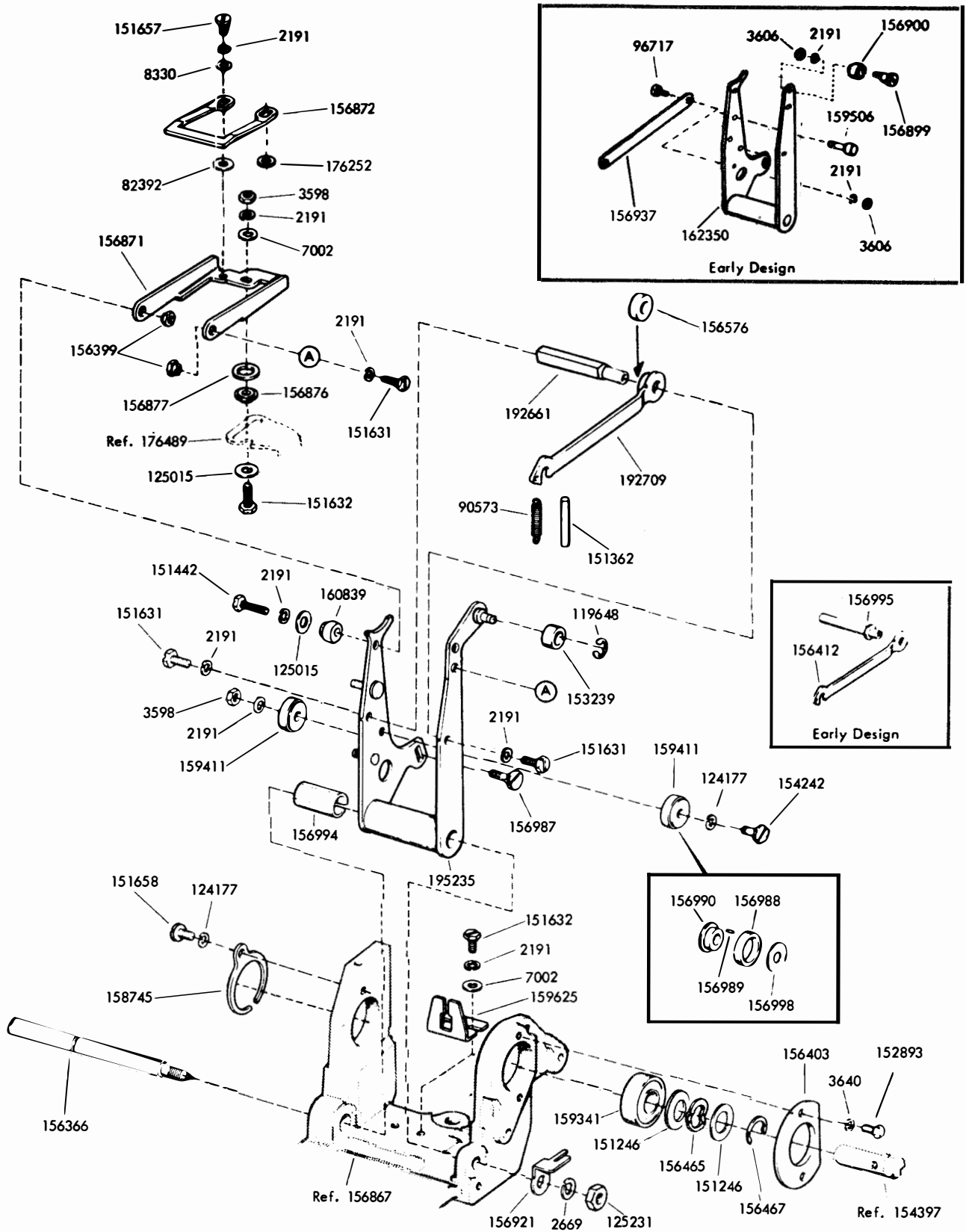
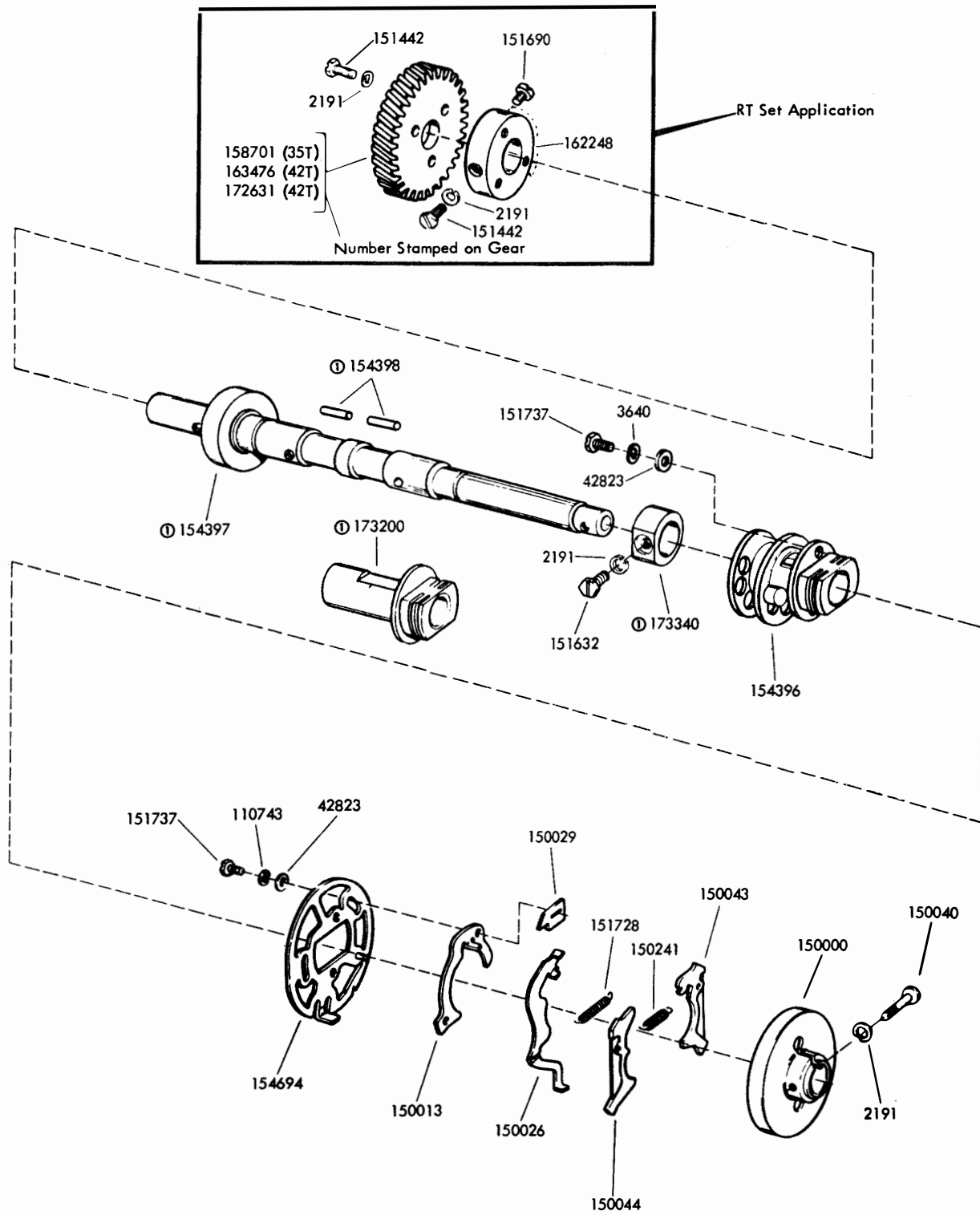


Figure 7-121. Frame Mechanism, Typing Reperforator



158701 (35T)
163476 (42T)
172631 (42T)

Number Stamped on Gear

RT Set Application

Ⓞ 173336 Modification Kit to Provide
New Style Shaft and Bearing
Specification 59795

Figure 7-122. Main Shaft Mechanism, Typing Reperforator

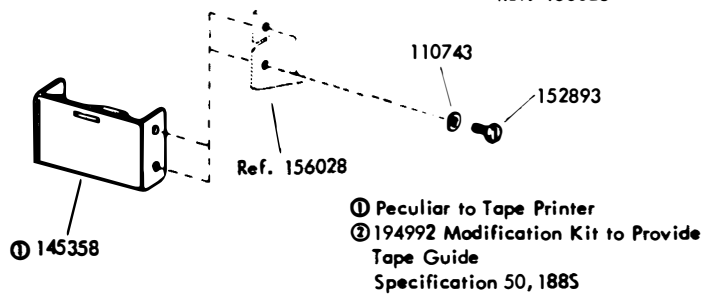
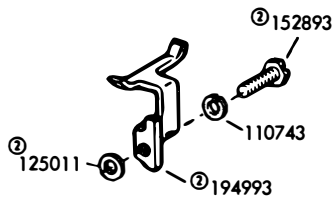
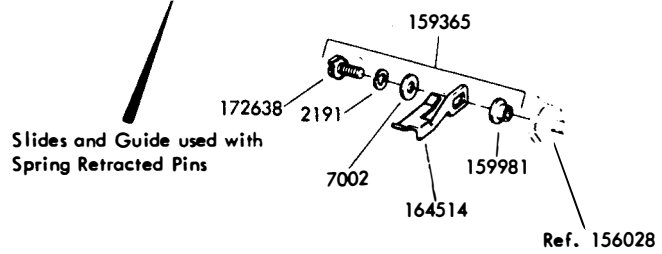
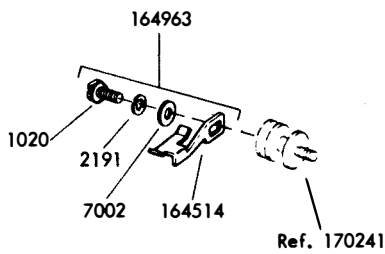
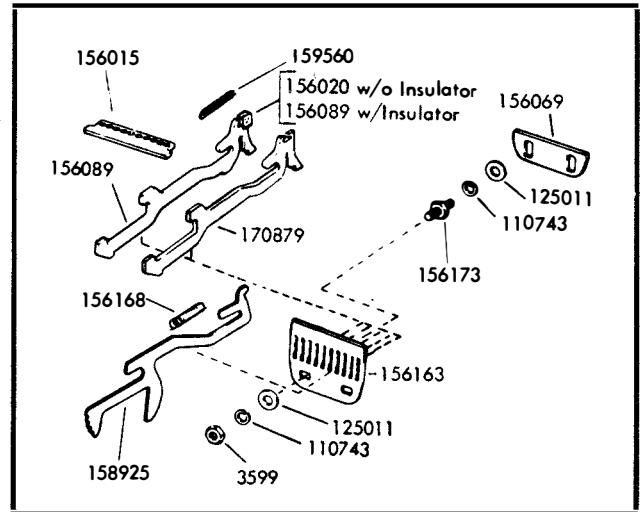
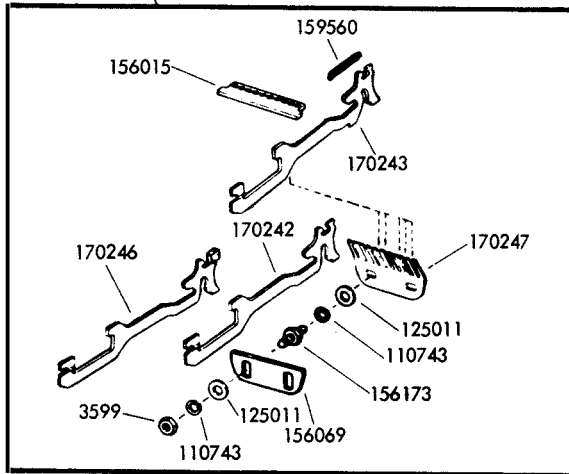
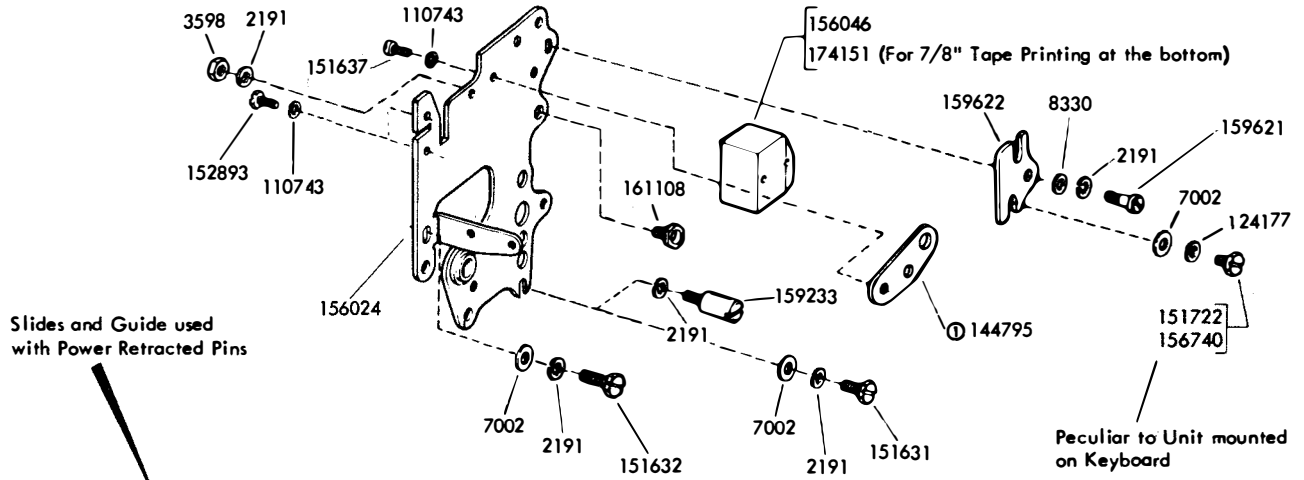
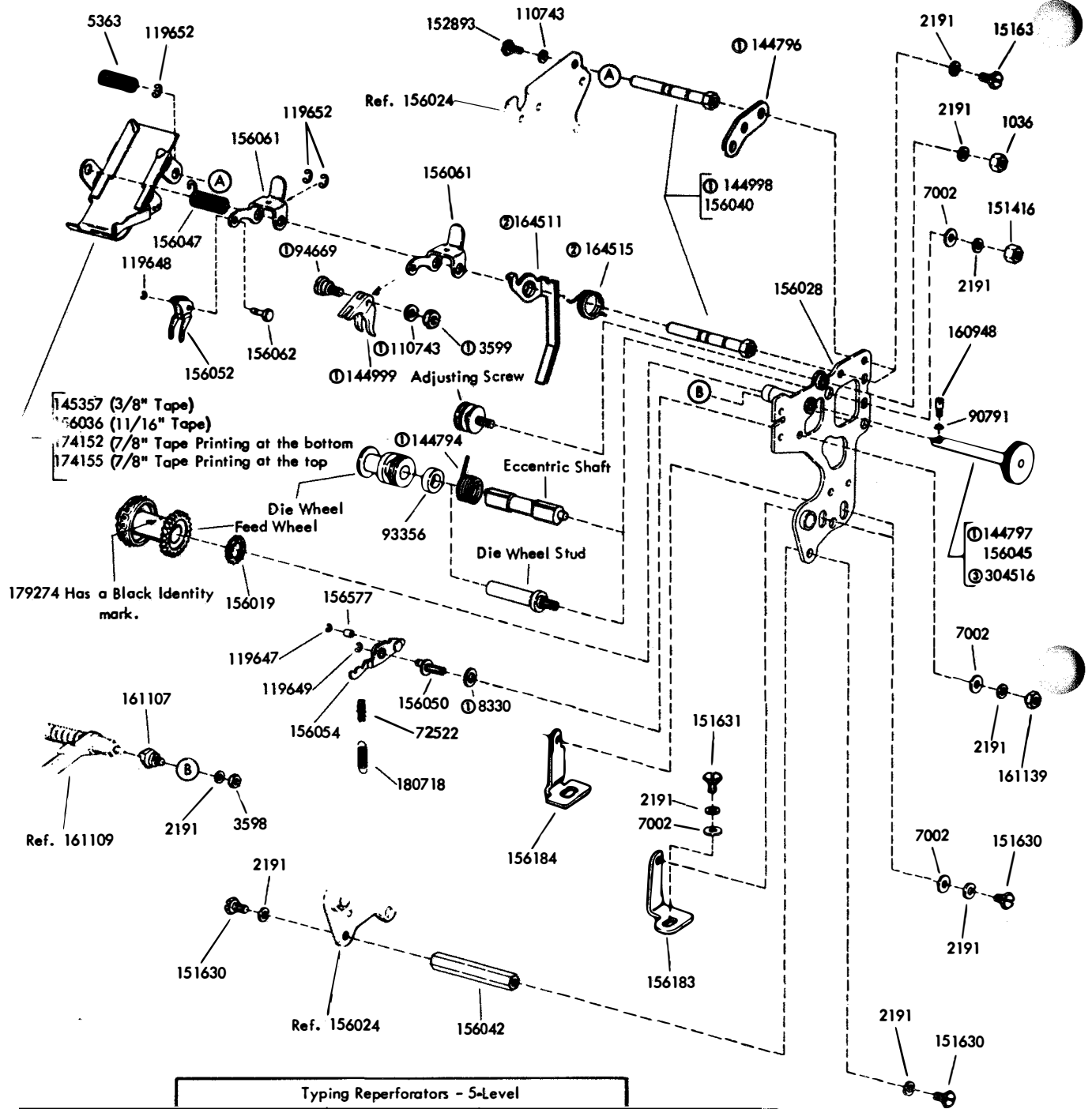


Figure 7-123. Punch Rear Plate Mechanism, Typing Reperforator



Type of Punch	Typing Reperforators - 5-Level			Tape Printer
	Chadless w/Spring Ret. Pins	Fully Perforated w/Spring Ret. Pins	Fully Perforated w/Power Ret. Pins	
Die Wheel	156055	170788	170788	145353
Feed Wheel	See Fig. 7-137 for Punch Block and feed Wheel Combinations			145356
Die Wheel Stud	156044	170219	170219	
Adjusting Screw	156090	170241	170241	170241
Eccentric Shaft				144793

① Peculiar to Tape Printer
 ② Chadless Tape Only
 ③ 304515 Modification Kit to Eliminate Tape Loading Safety Hazard. Specification 502735

Figure 7-124. Punch Front Plate Mechanism, Typing Reperforator

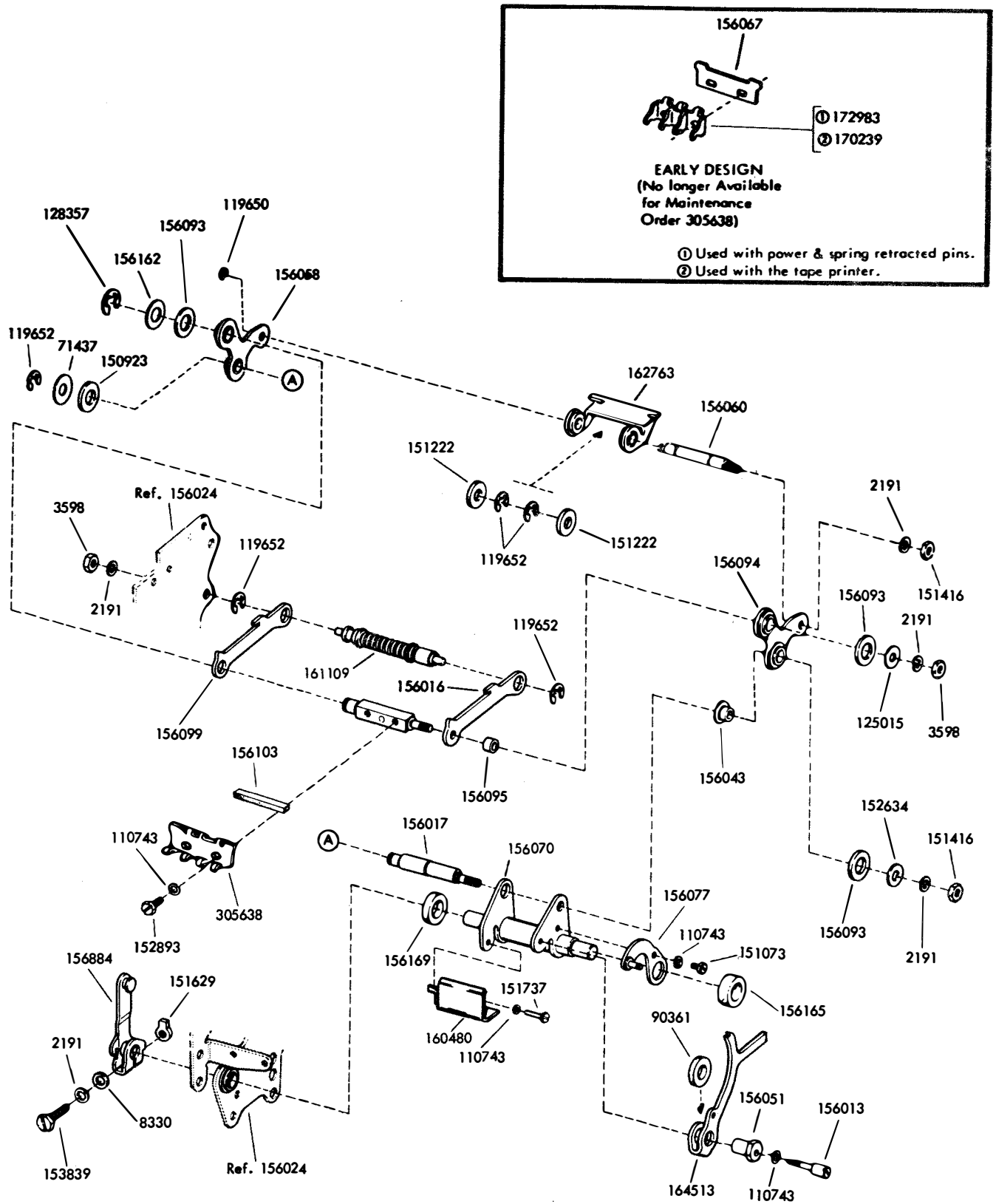


Figure 7-125. Punch Bail Mechanism, Typing Reperforator

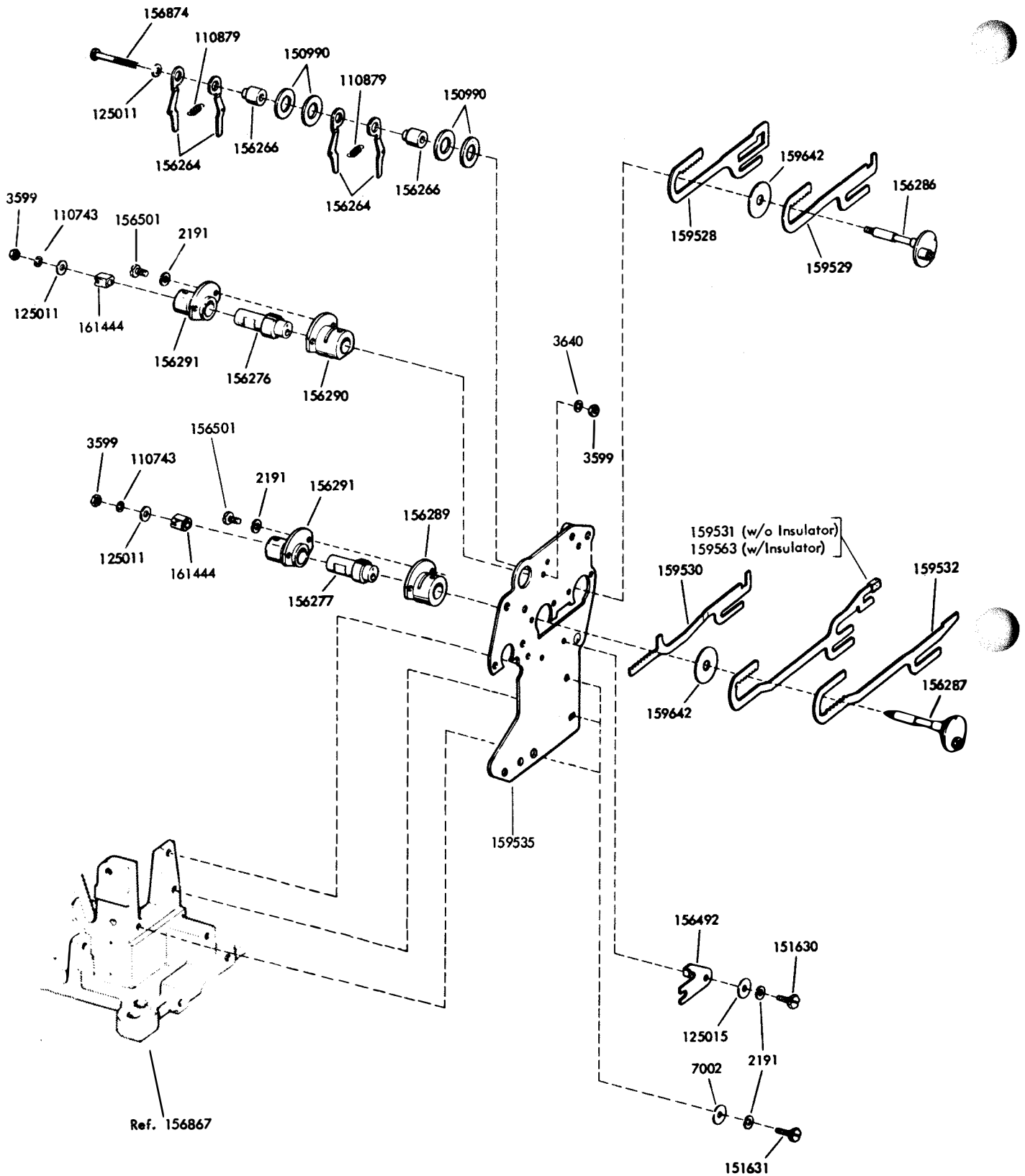


Figure 7-126. Rotary Positioning Mechanism, Typing Reperforator (Sheet 1 of 2)

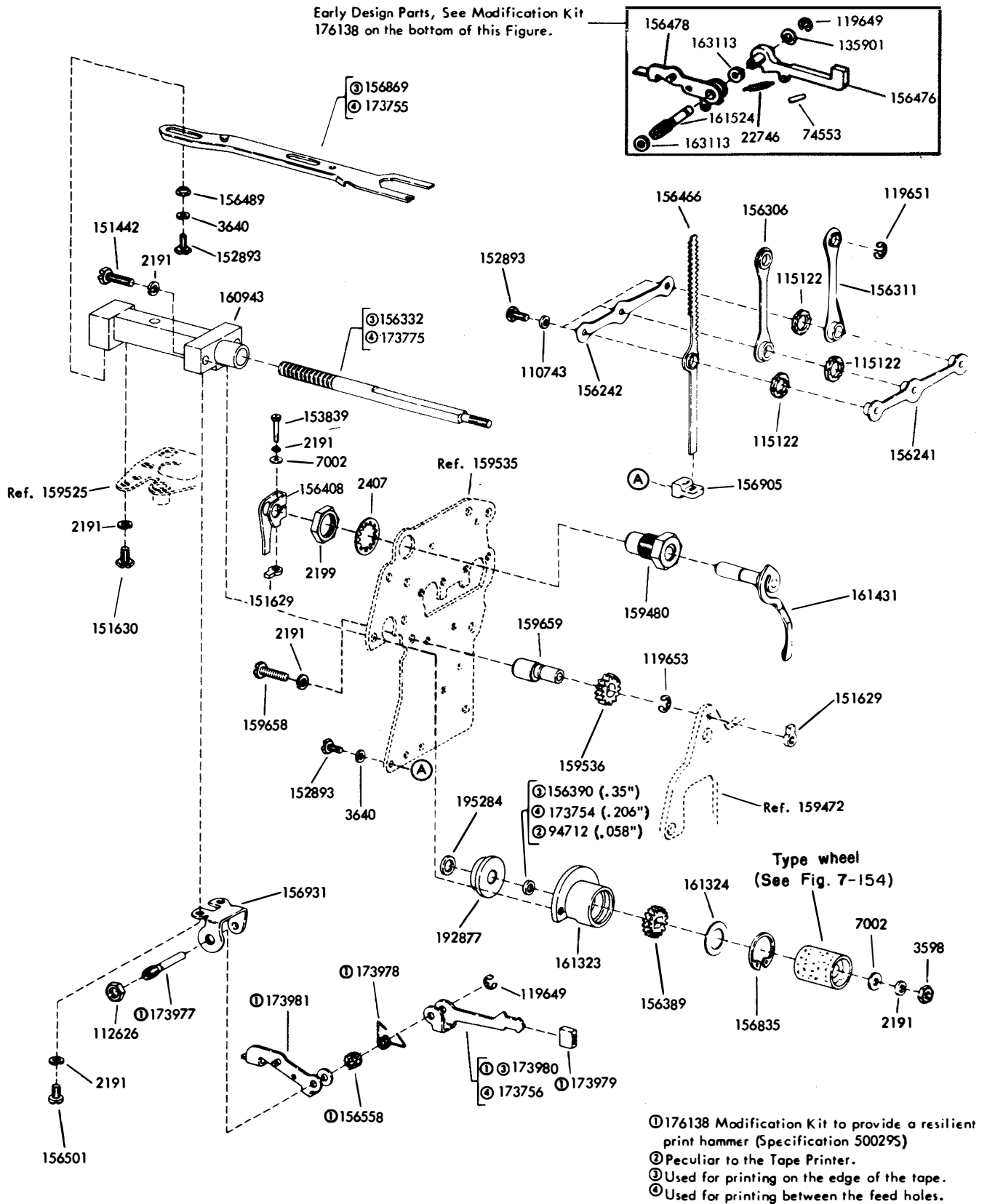


Figure 7-126. Rotary Positioning Mechanism, Typing Reperforator (Sheet 2 of 2)

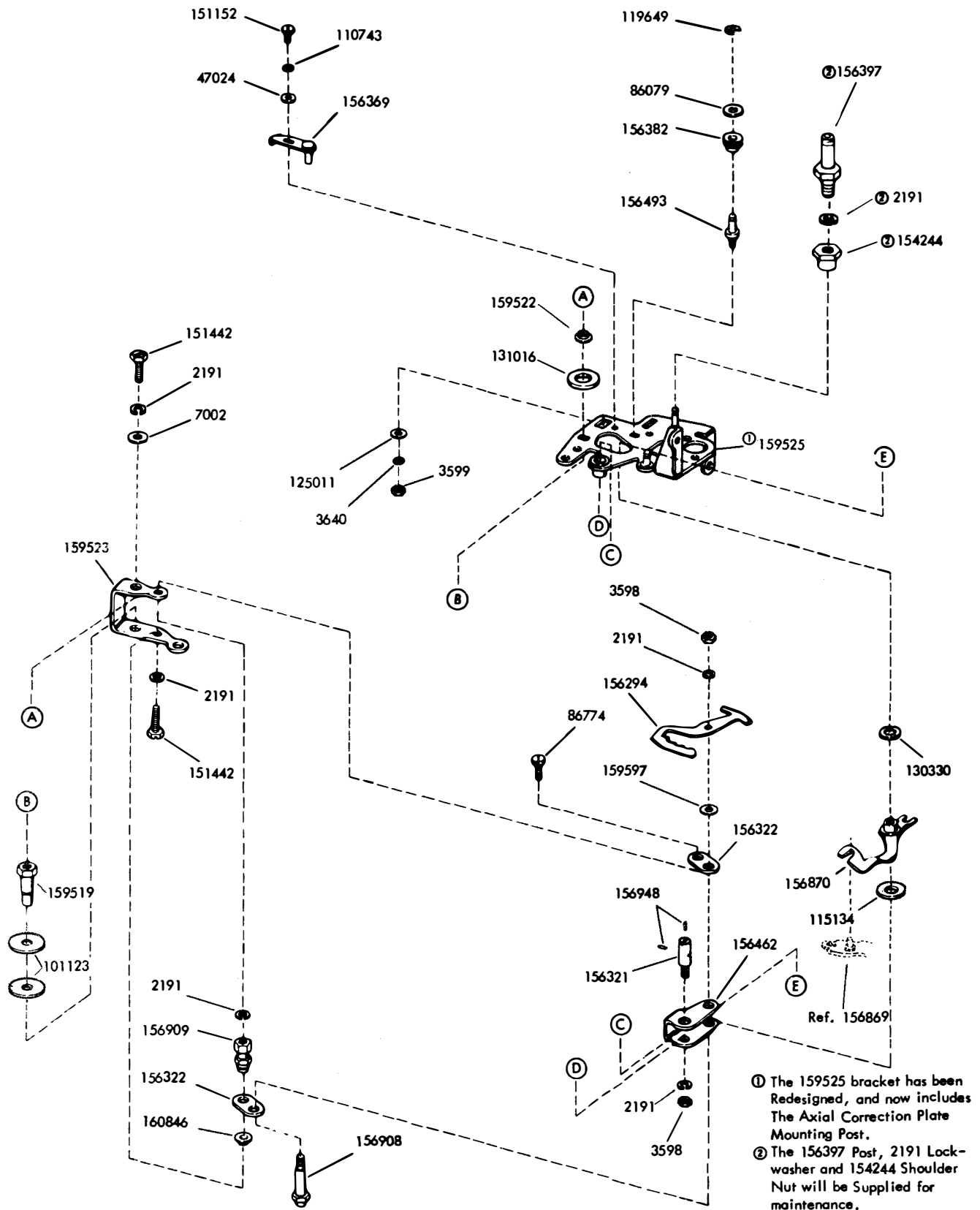


Figure 7-127. Axial Positioning Mechanism, Typing Reperforator (Sheet 1 of 2)

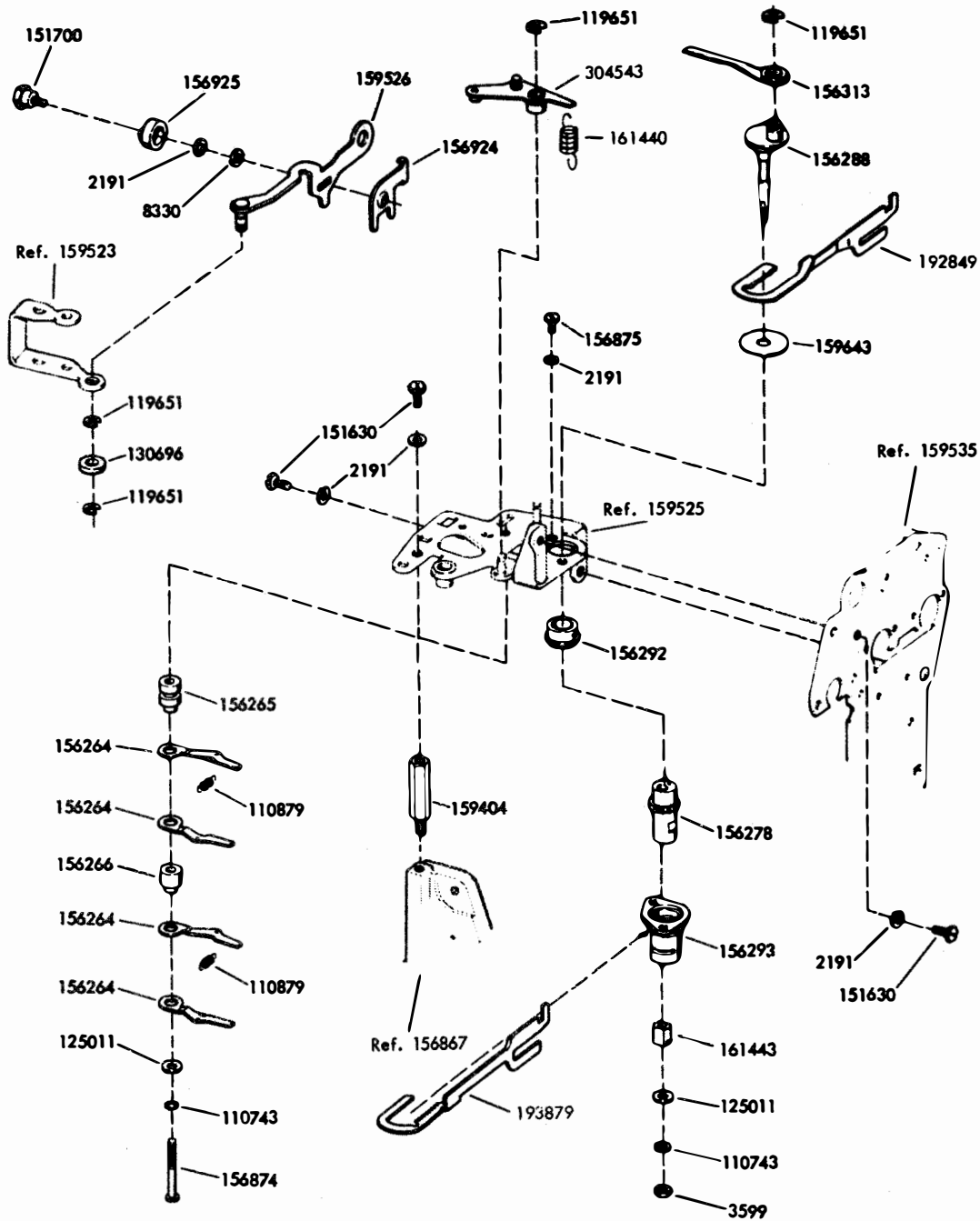
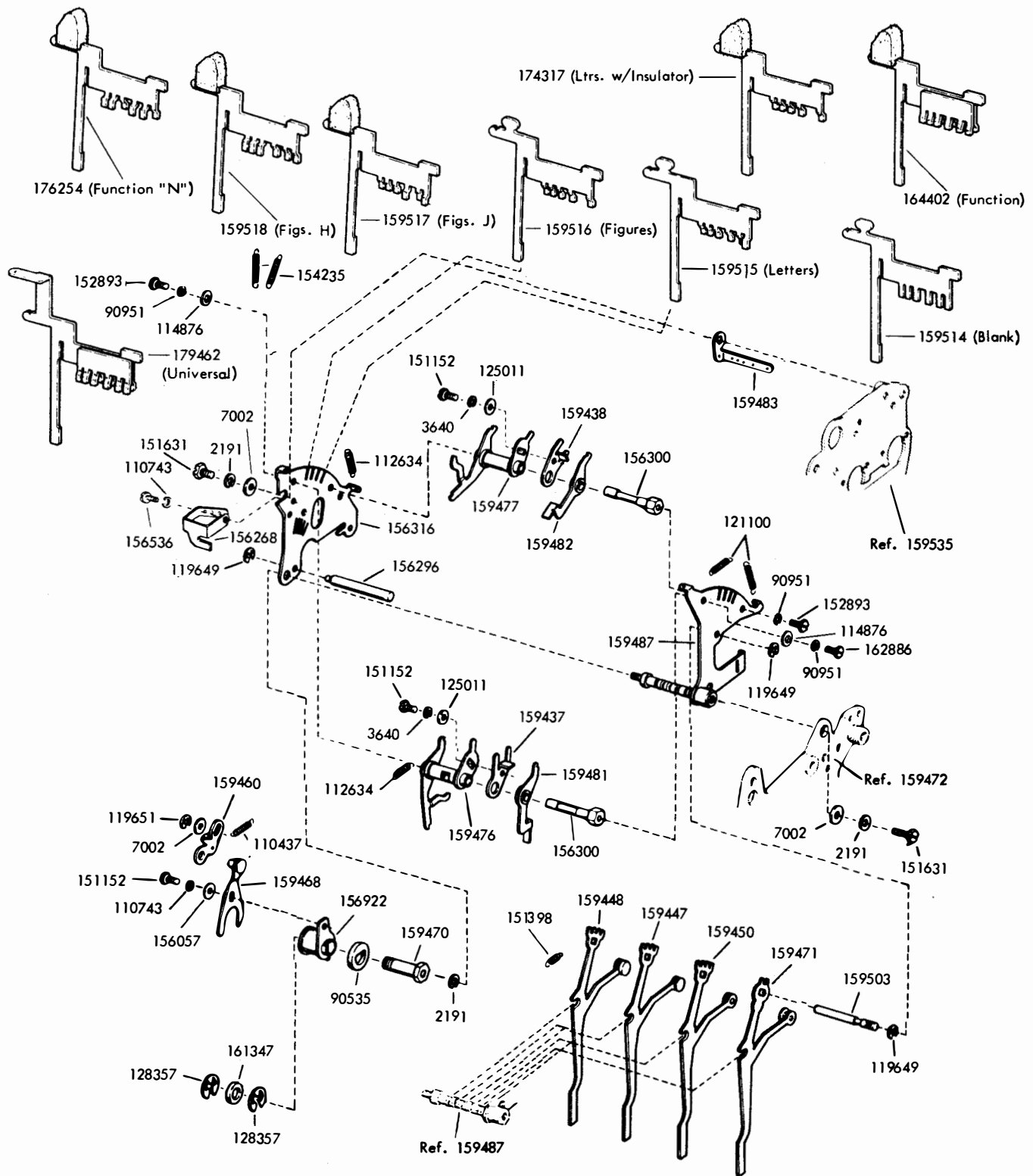


Figure 7-127. Axial Positioning Mechanism, Typing Reperforator (Sheet 2 of 2)



Note: For coding of uncoded blades, See Principles of Operation Chapter.

Figure 7-128. Function Box Mechanism, Typing Reperforator

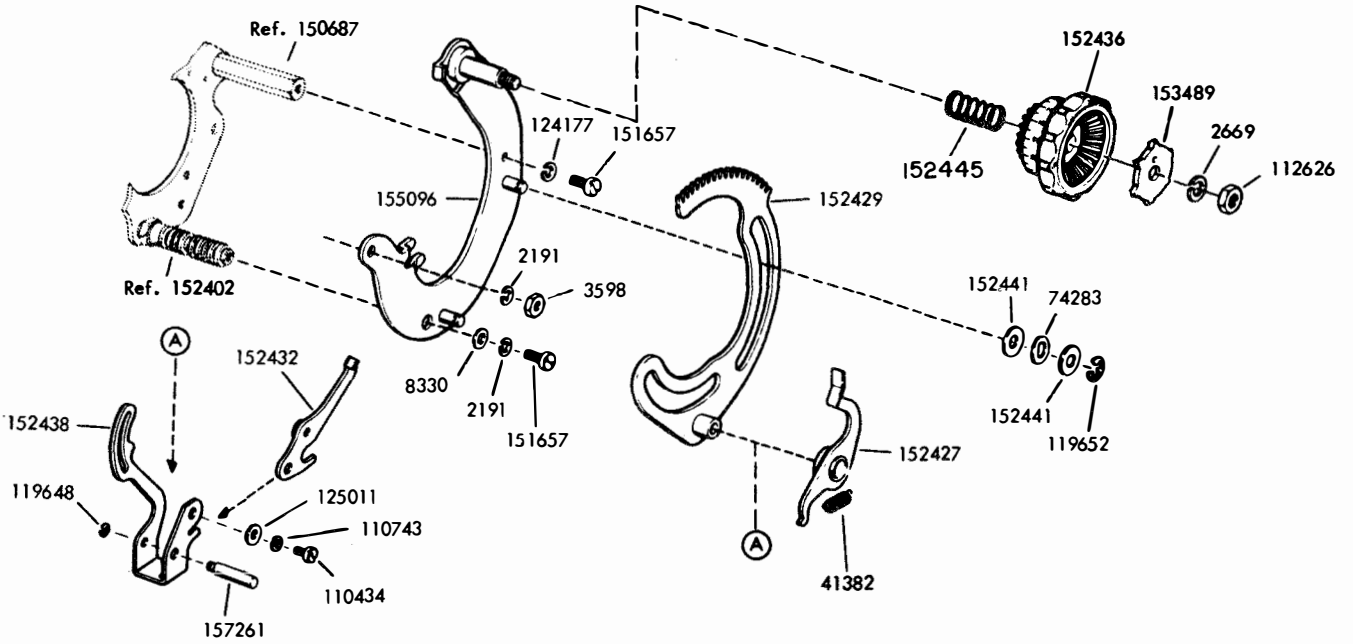


Figure 7-129. Range Finder Mechanism, Typing Reperforator

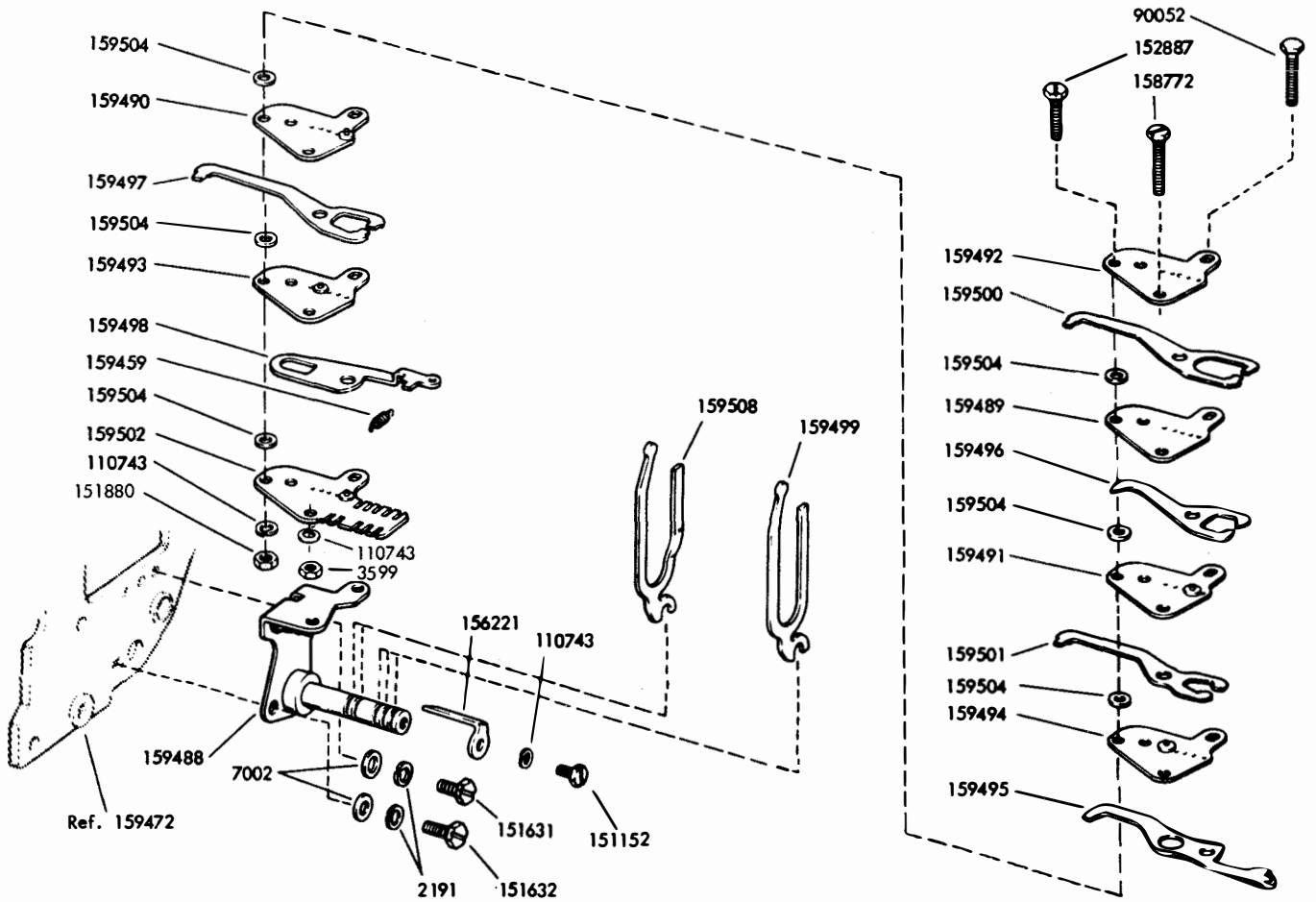


Figure 7-130. Transfer Mechanism, Typing Reperforator

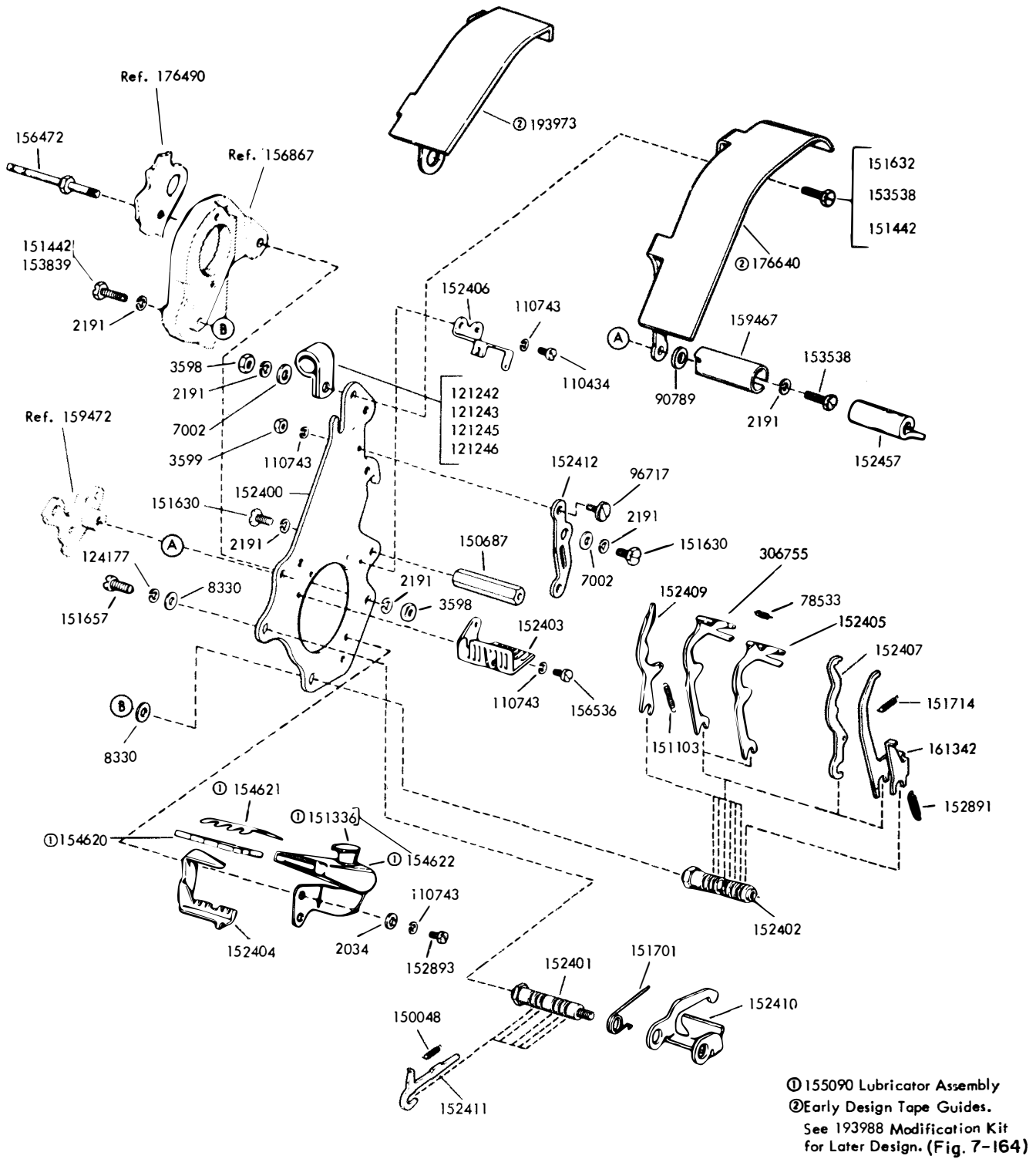


Figure 7-131. Selecting Mechanism, Used on High-Level Sets, Typing Reperforator

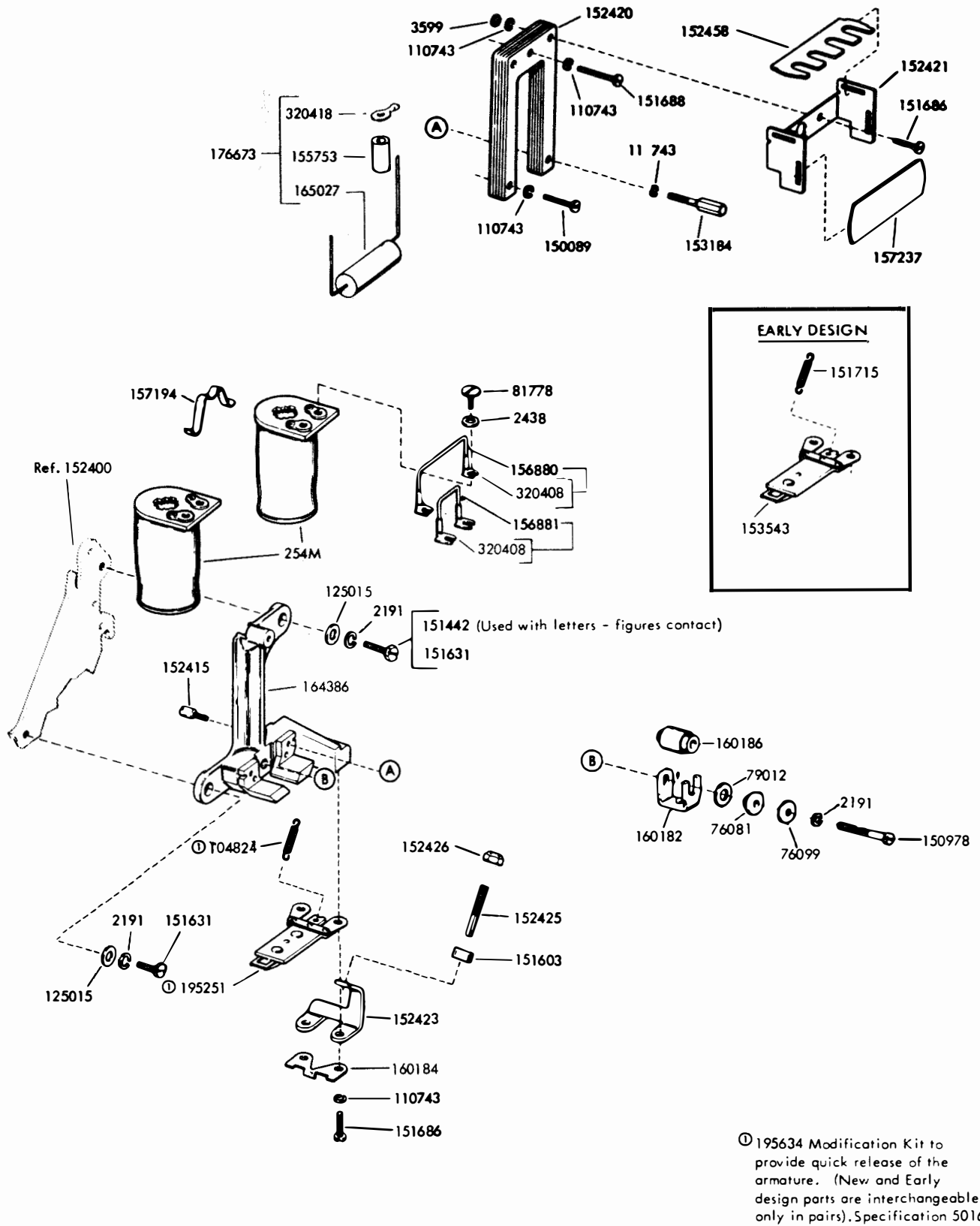
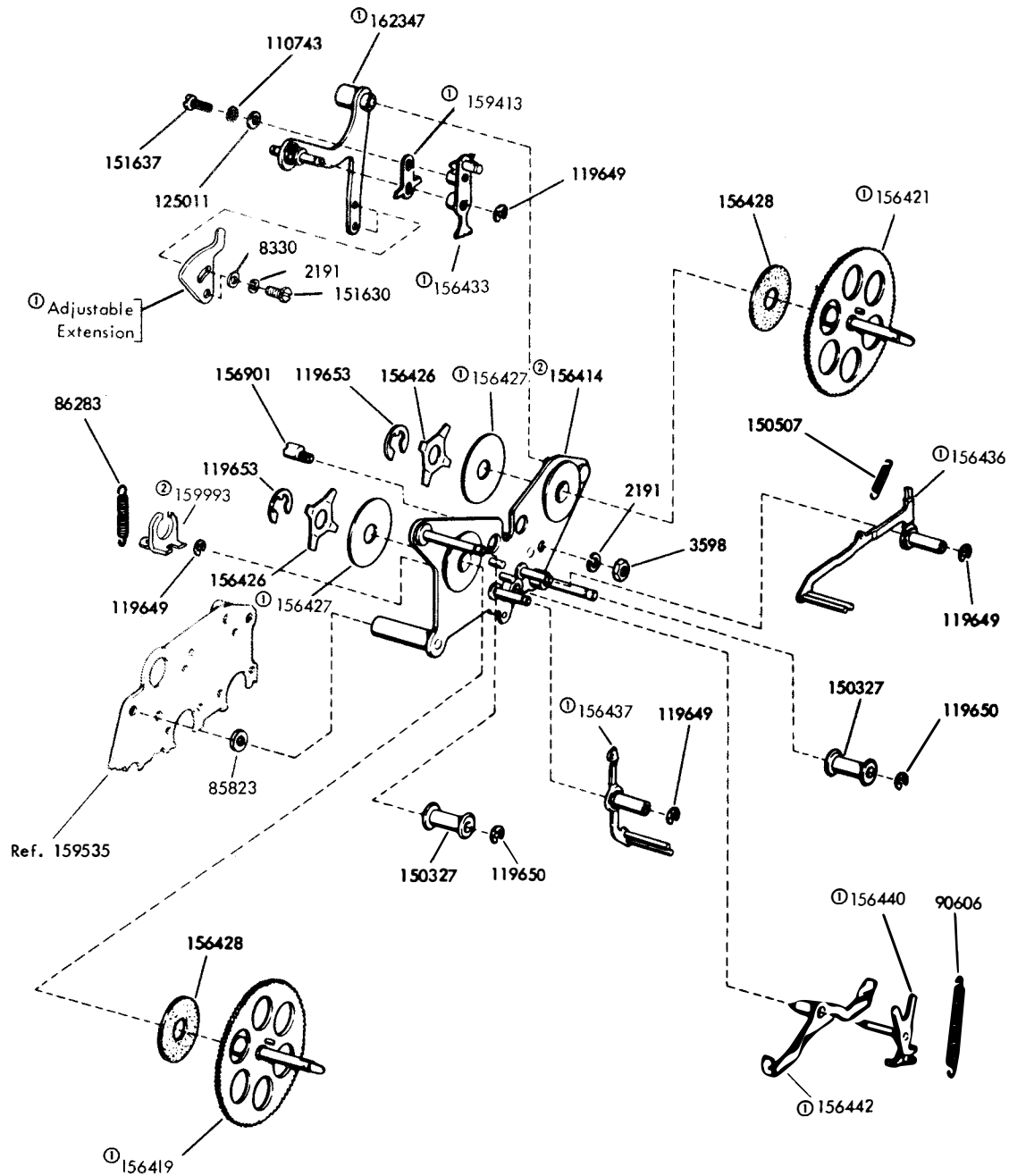


Figure 7-132. Selecting Magnet Mechanism, Used on High-Level Sets, Typing Reperforator



For Latest Design Ribbon Feed Mechanism, See Fig. 7-138.

- ① No Longer available, or the 164520 ordered ribbon feed assembly on Fig. 7-138.
- ② The 159993 bracket is still available to be used with early design 156414 which did not include the drive arm spring post.

Figure 7-133. Ribbon-Feed Parts, Early Design, Typing Reperforator
7-454

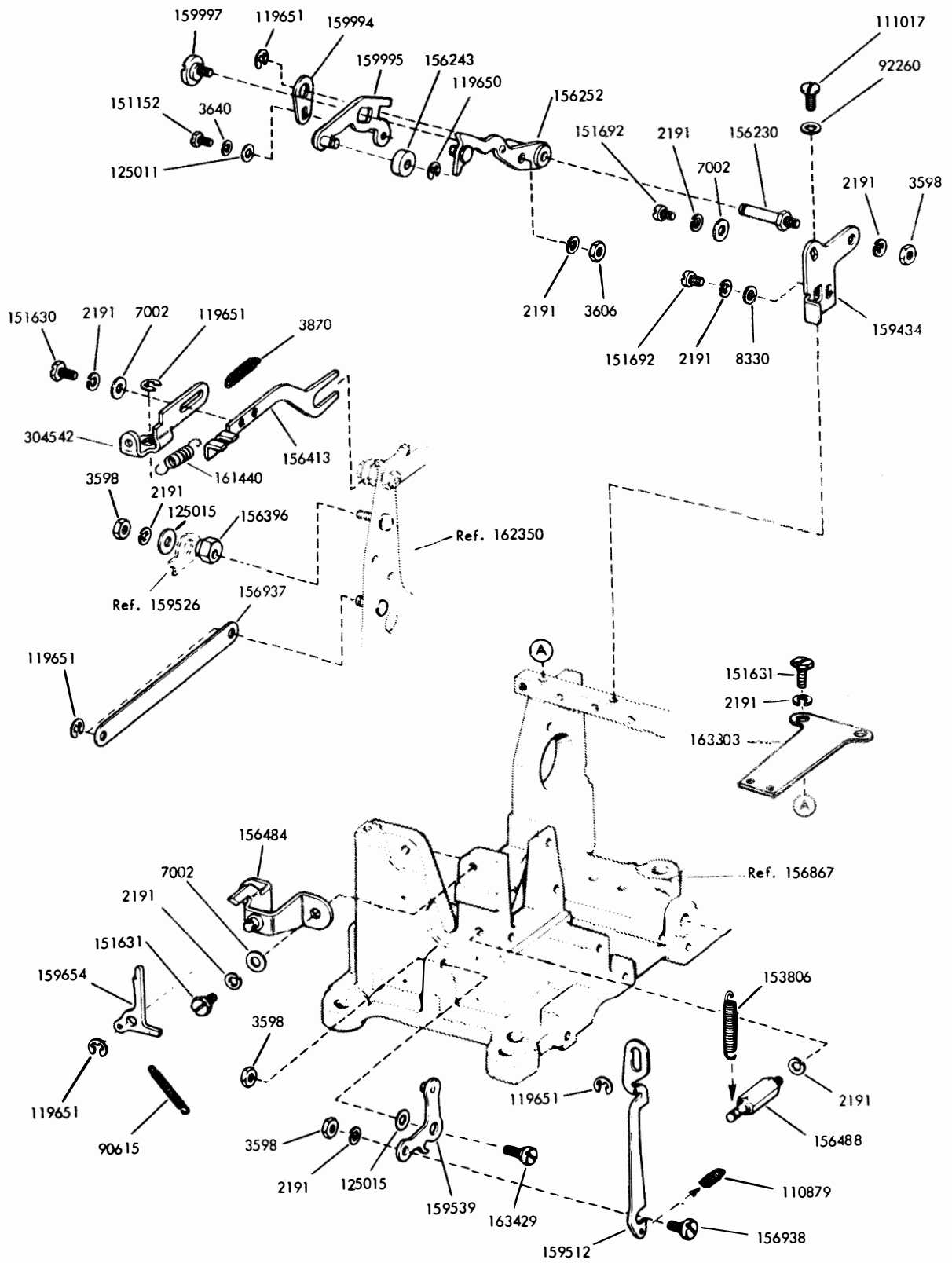
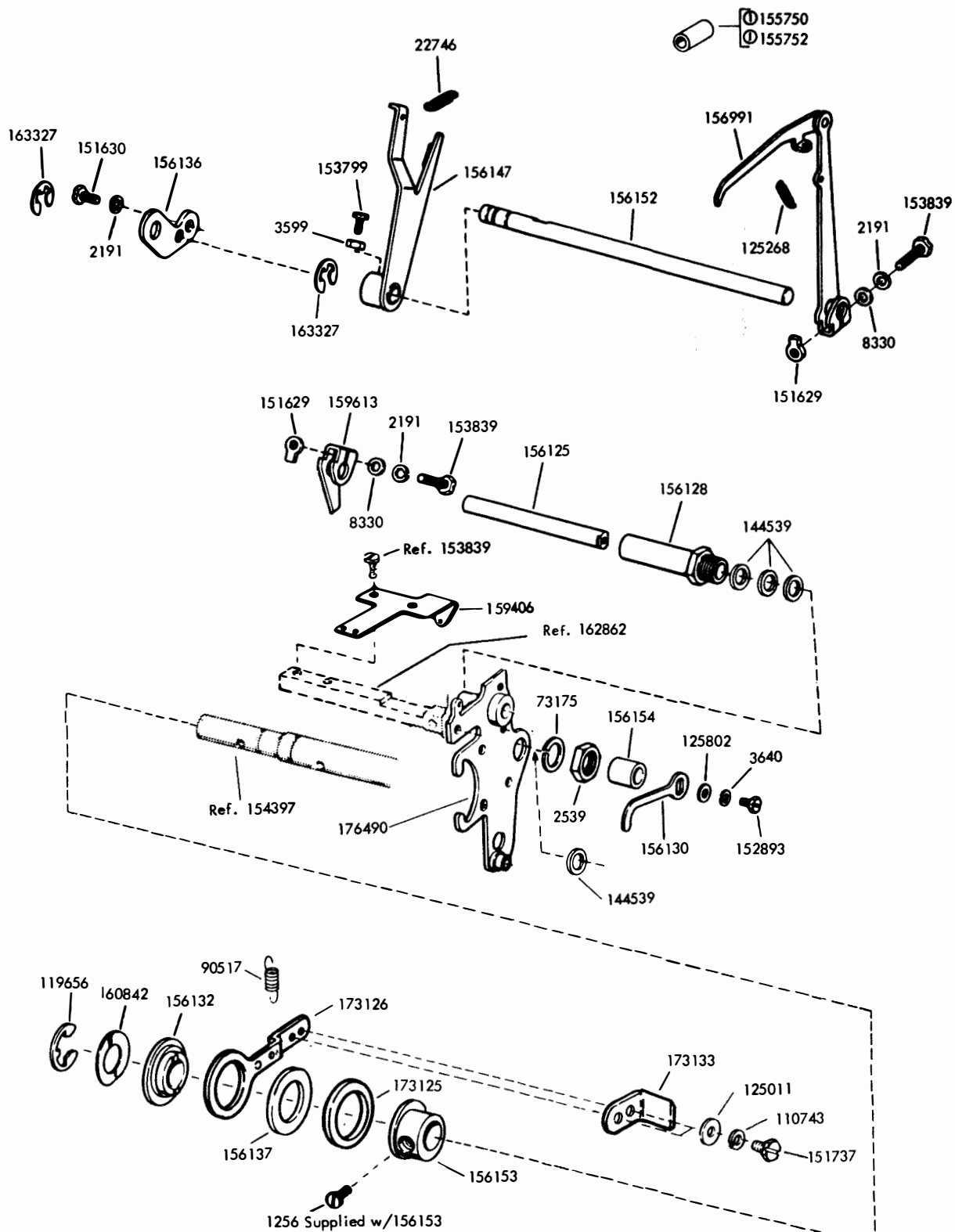


Figure 7-134. Typing Mechanism, Typing Reperforator



① 173134 Cable

Figure 7-135. Non-Interfering Tape Feed-Out Mechanism, Typing Reperforator

(S) = Steel
(F) = Fiber
(N) = Nylon

ASR GEAR SETS - 5 LEVEL CODE								
Set Number	Pinion	Teeth	Driven Gear	Teeth	Speed			
					7.00 Unit Code		7.42 Unit Code	
					WPM	Baud	WPM	Baud
163023	159894 (S)	28	159895 (F)	80			60	45.45
	163021 (N)		163022 (N)					
163024	159891 (S)	21	159892 (F)	48			75	56.88
	163019 (N)		163020 (N)					
163025	159888 (S)	28	159889 (F)	49			100	74.2
	163015 (N)		163018 (N)					
163457	163455 (S)	20	163456 (F)	52	71	50		
163502	163501 (S)	30	163500 (F)	52	107	75		
173992	173993 (S)	14	173994 (F)	40	65	45.45		
195184	195182 (N)	20	195183 (N)	52			67	50

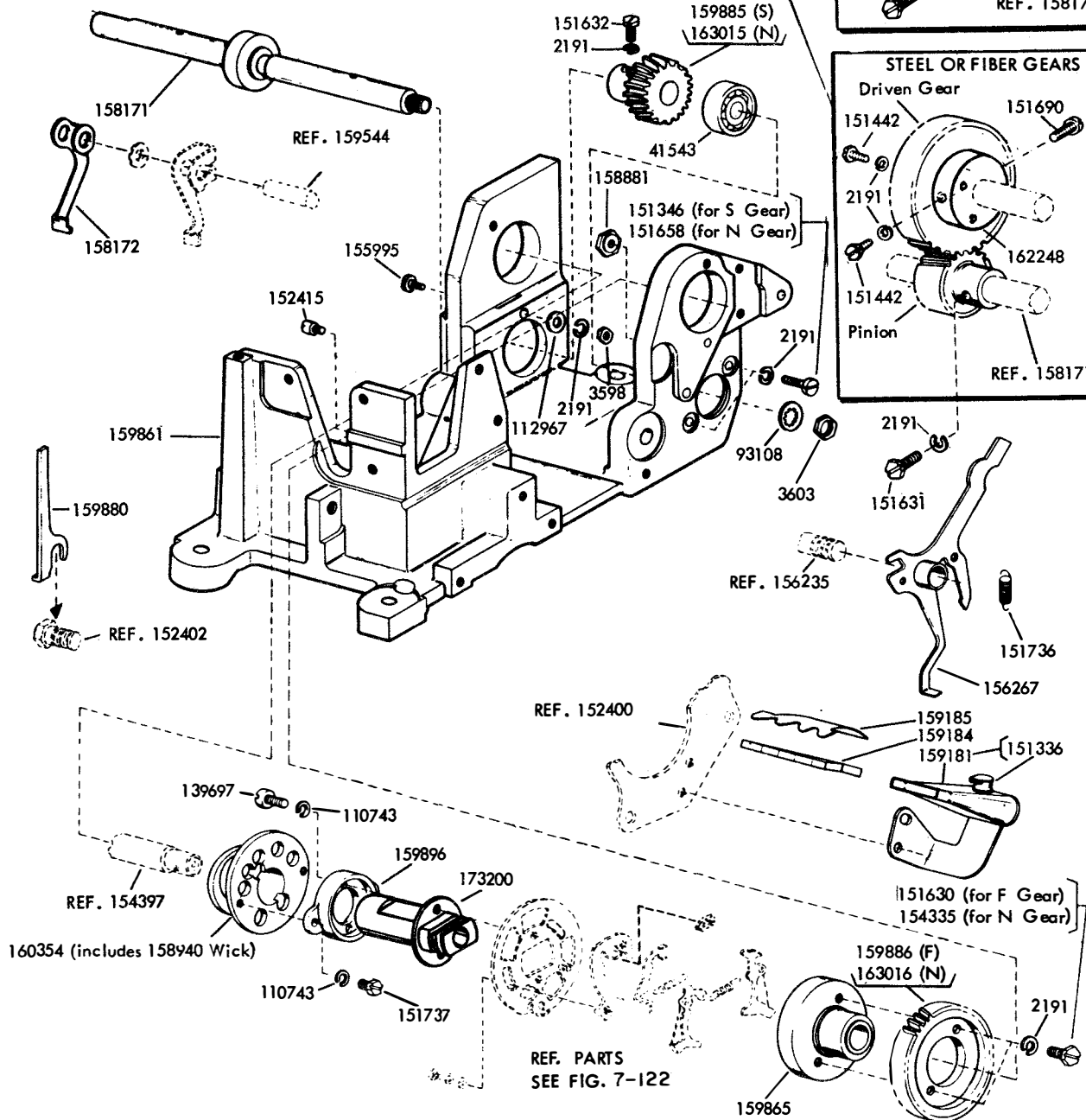
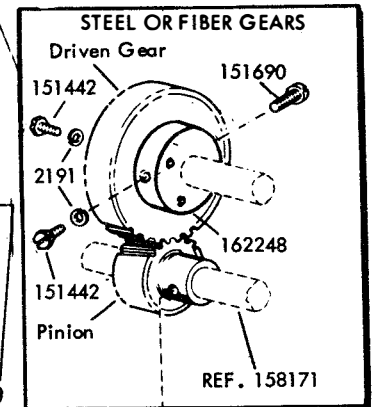
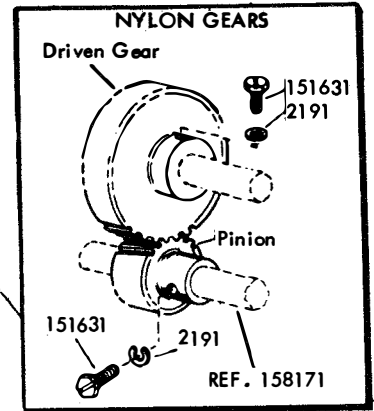


Figure 7-136. Two-Shaft Frame Mechanism (For ASR Keyboard)

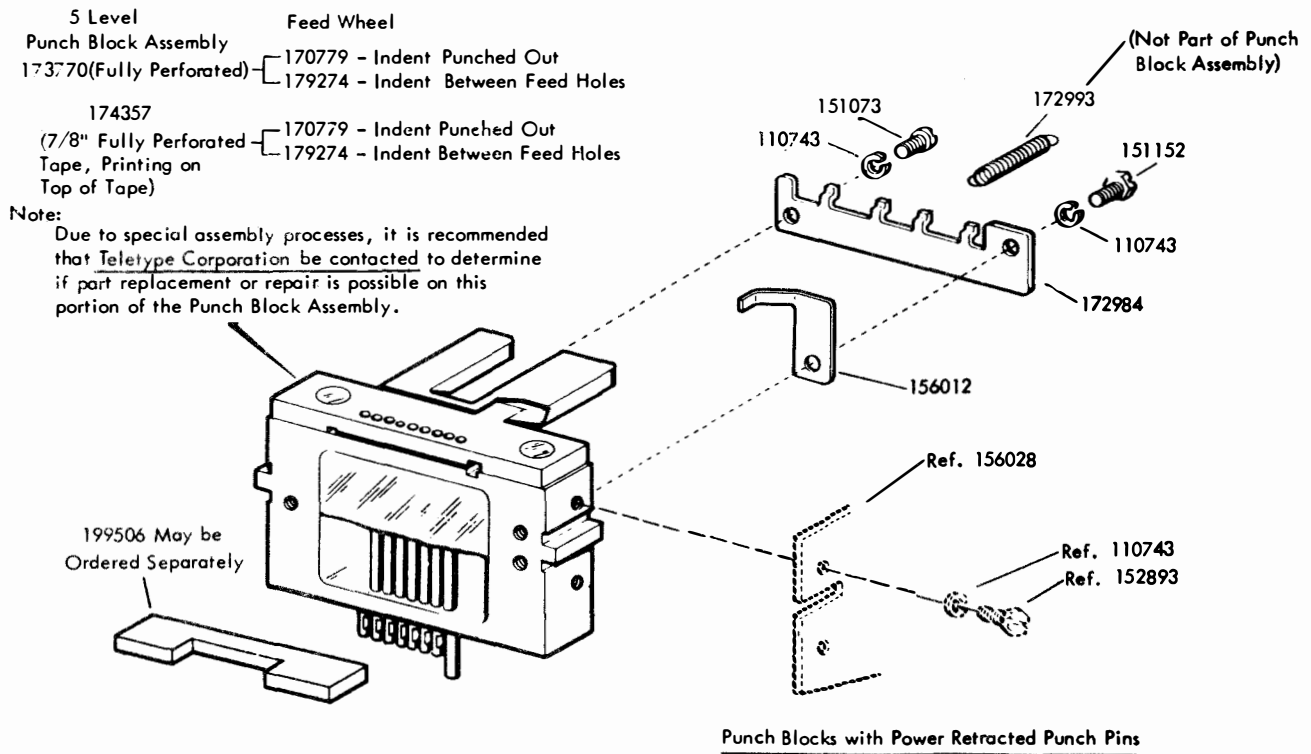
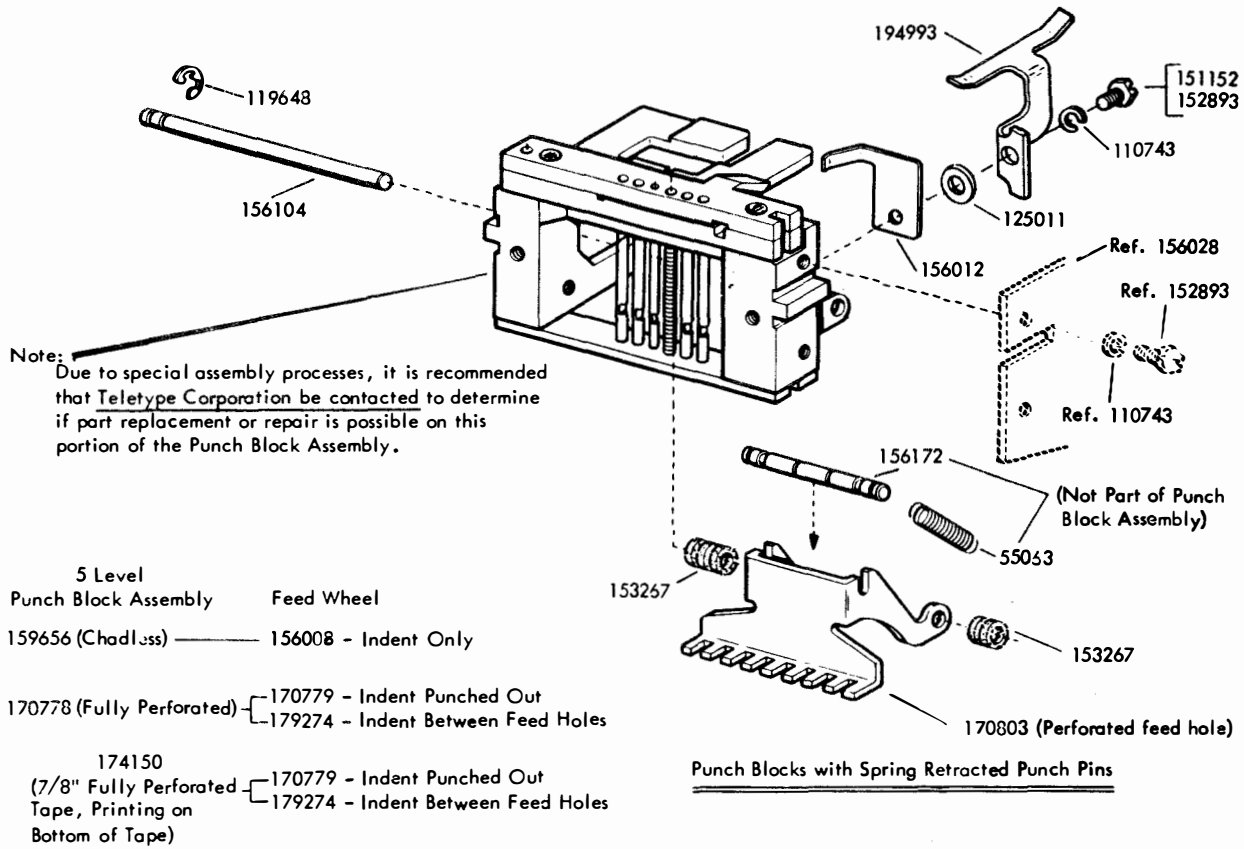
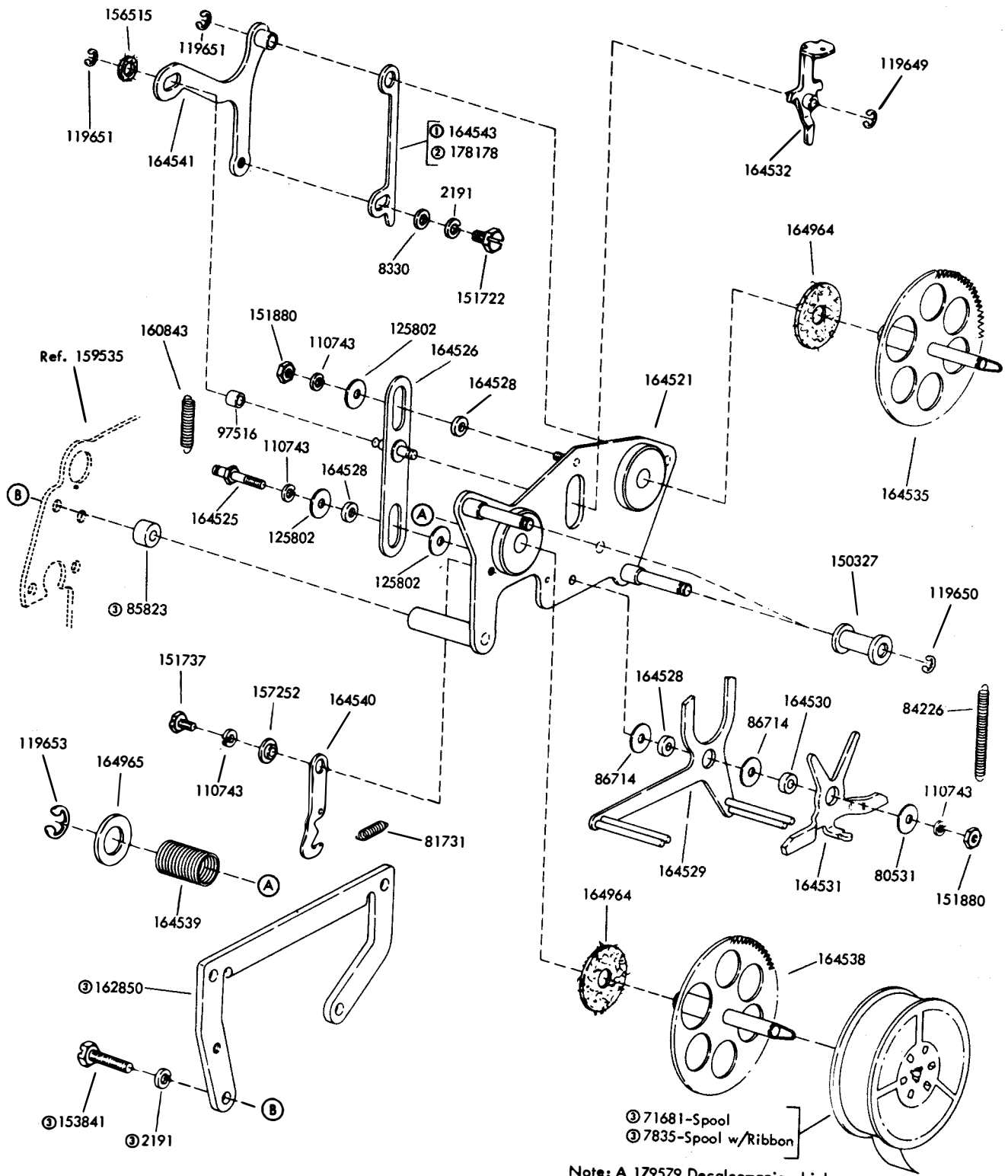


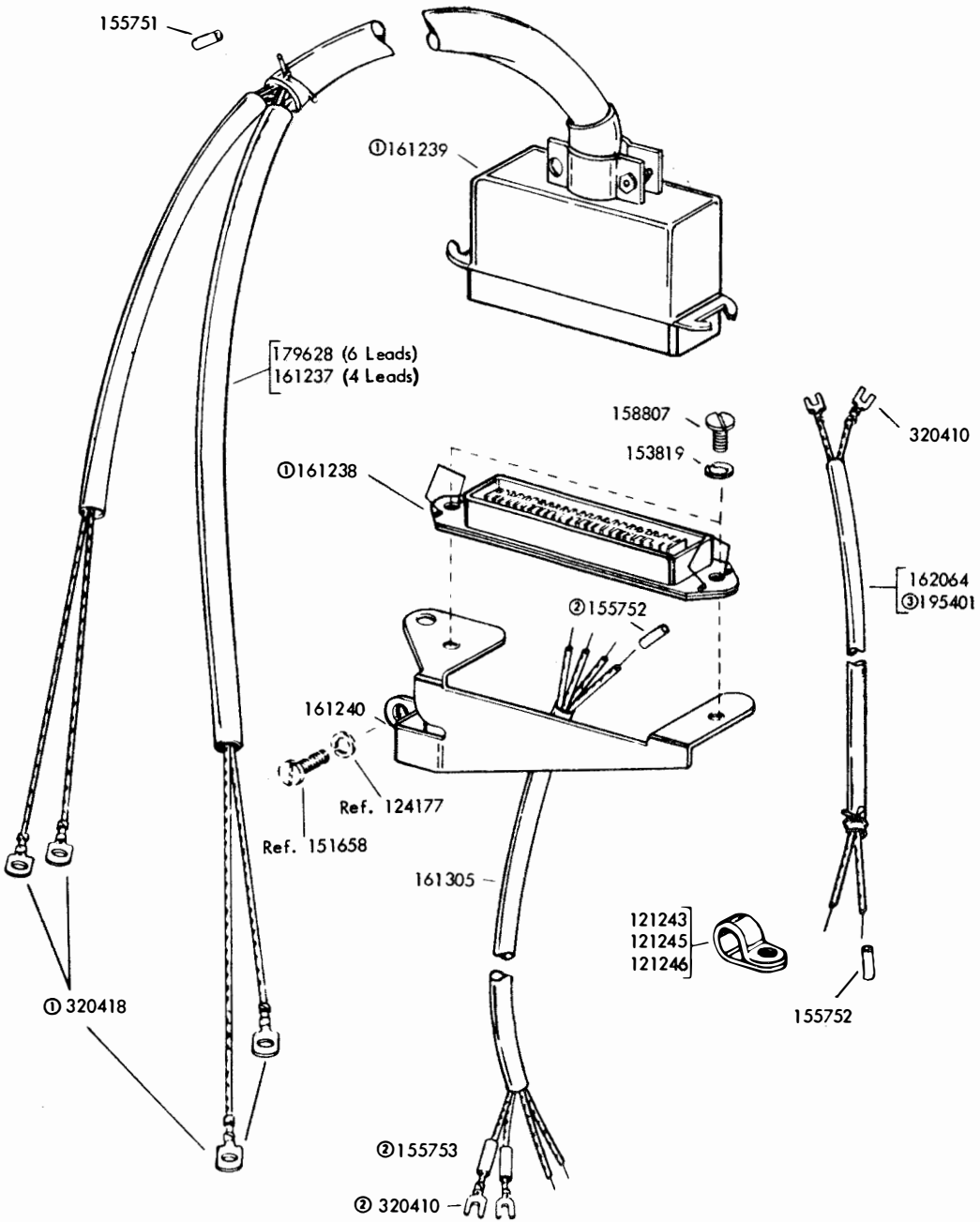
Figure 7-137. Punch Block Assemblies, Typing Reperforator



Note: A 179579 Decalcomania which show direction of Ribbon to Roller is available.

① Peculiar to Units Equipped with Spring Retracted Punch Pins
 ② Peculiar to Units Equipped with Power Retracted Punch Pins
 ③ Not part of 164520
 For Early Design Ribbon Feed Mechanism See Fig. 7-133

Figure 7-138. Ribbon-Feed Assembly 164520, Typing Reperforator



- ① 161237 and 179628 Cable Assemblies
- ② 161305 Cable Assembly
- ③ Peculiar to Tape Printer

Figure 7-139. Cables, Typing Reperforator (Sheet 1 of 2)

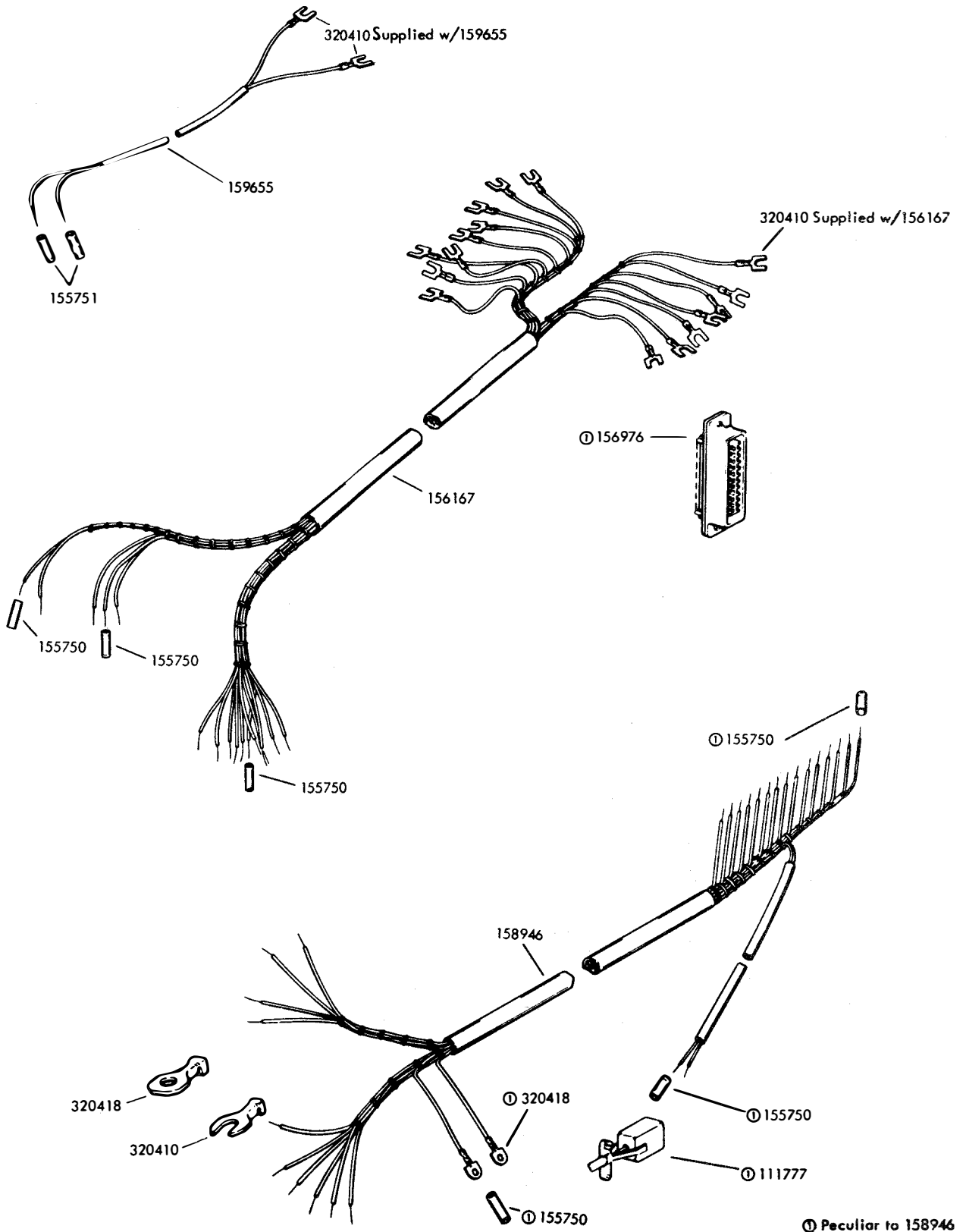


Figure 7-139. Cables, Typing Reperforator (Sheet 2 of 2)

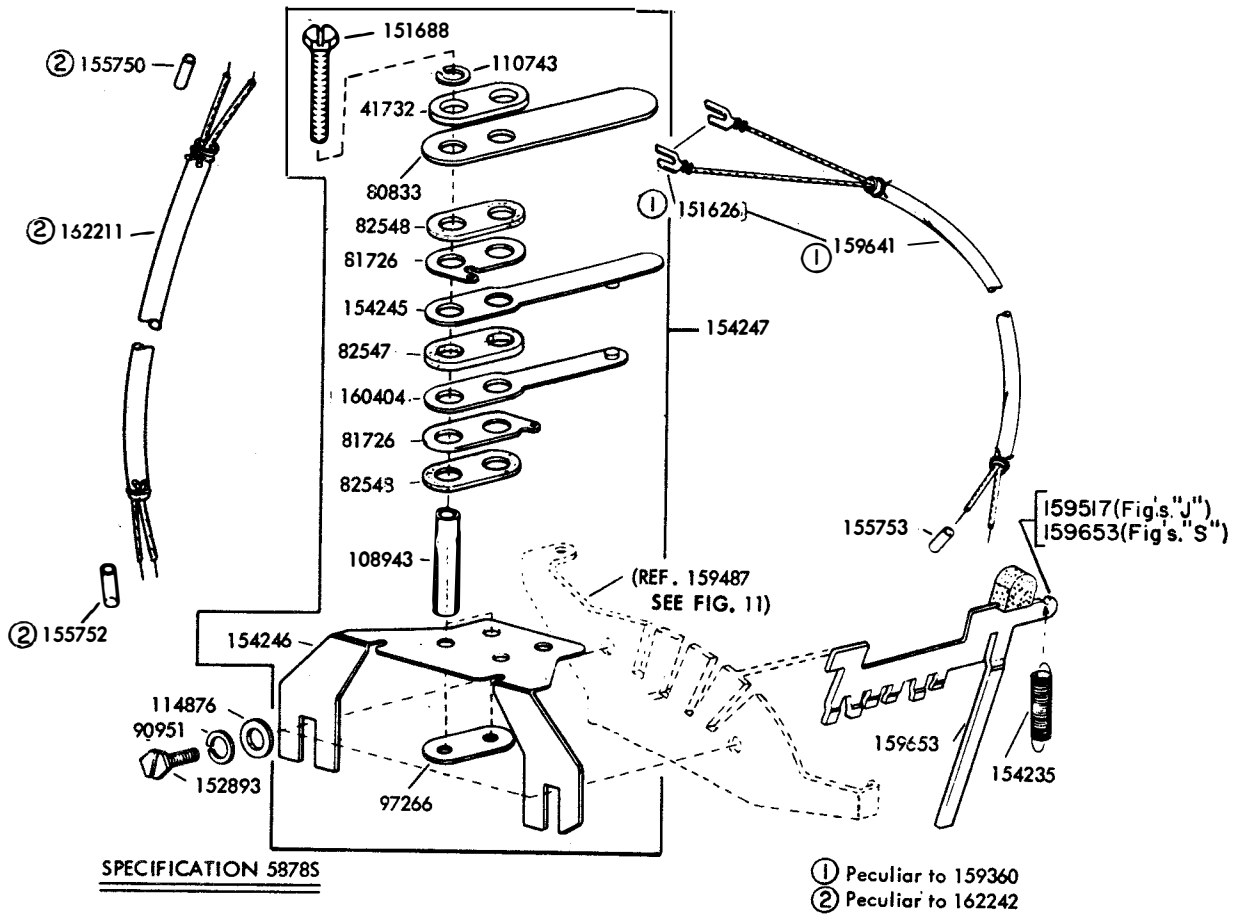


Figure 7-140. Modification Kits 159360 and 162242 to Add Signal Bell Contact

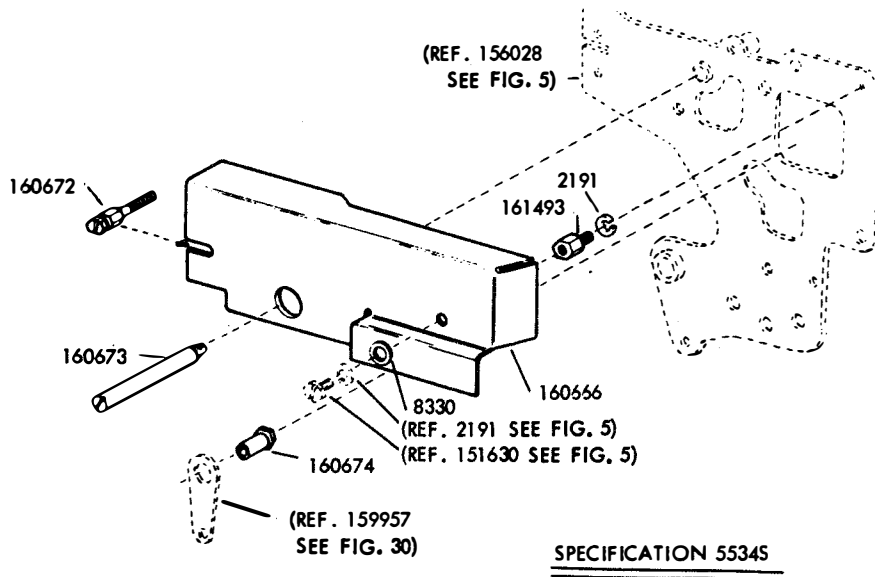


Figure 7-141. Modification Kit 160881 to Add Guard for Backspace Mechanism (Printing on Edge of Tape)

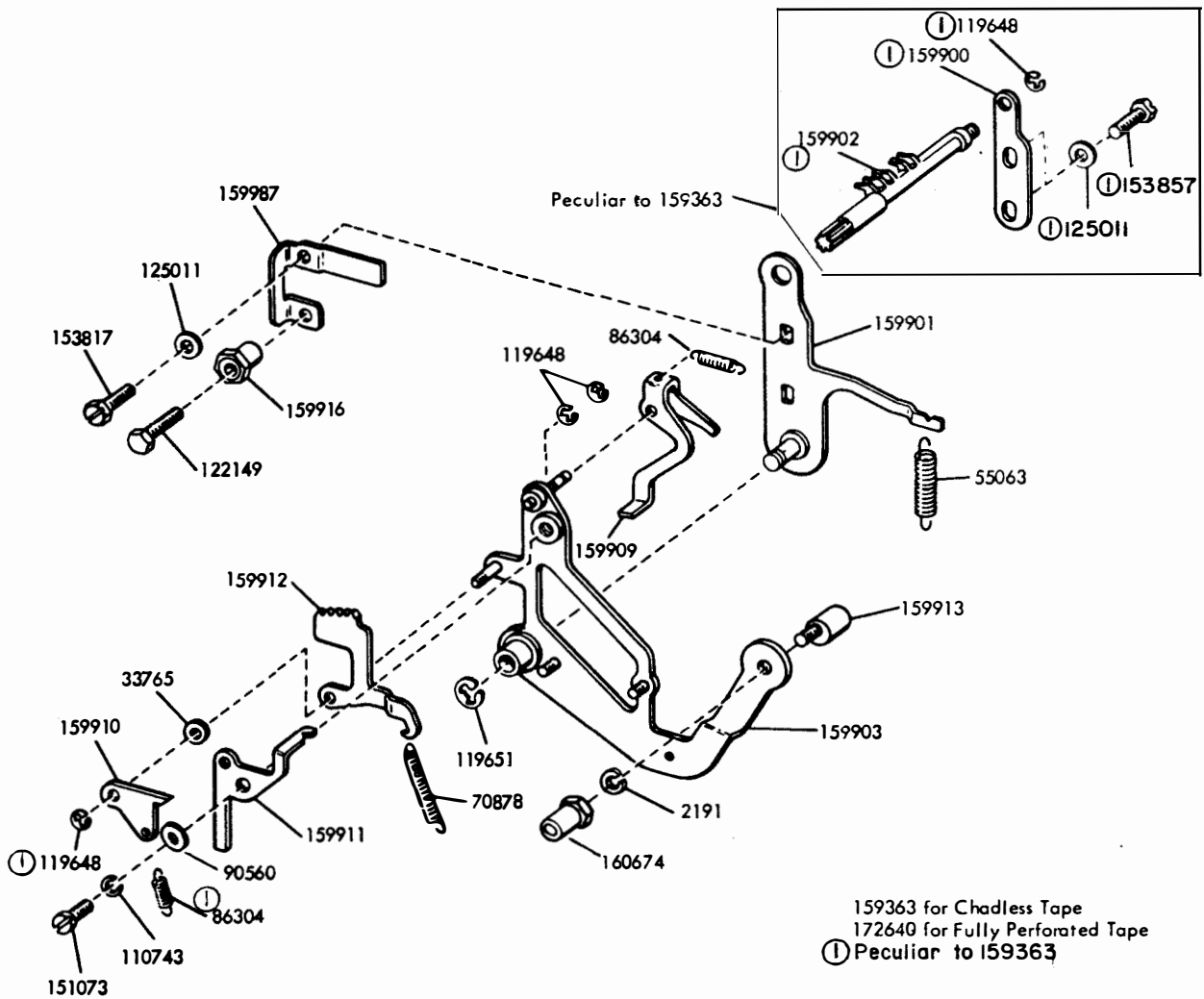
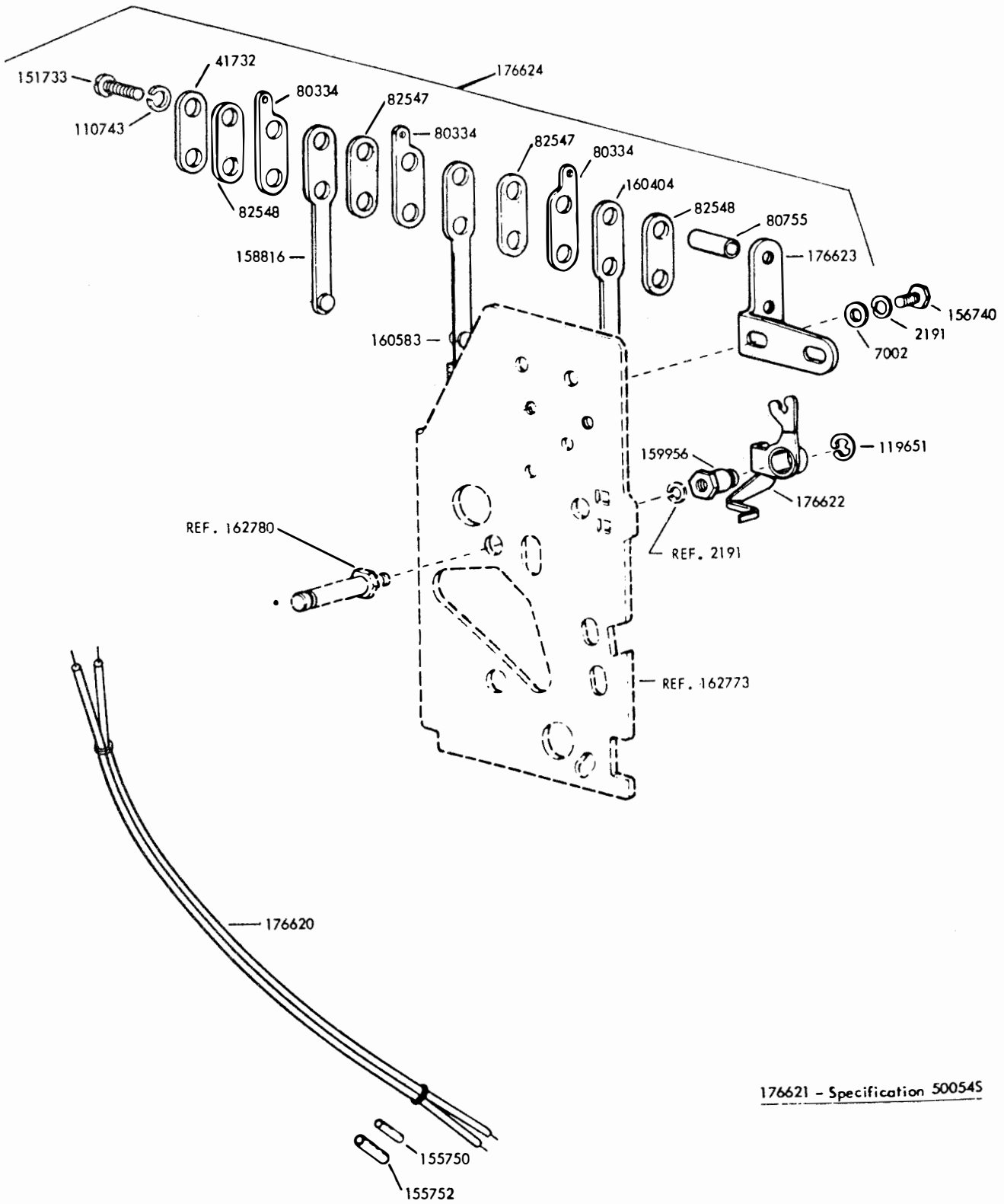


Figure 7-142. Modification Kits 159363 (Chadless Tape) and 172640 (Fully Perforated Tape) to Add Backspace (Printing on Edge of Tape), Typing Reperforator



176621 - Specification 500545

Figure 7-143. Modification Kit 176621 to Provide End of Feed-Out Contact for 176628 LETTERS Tape Feed-Out

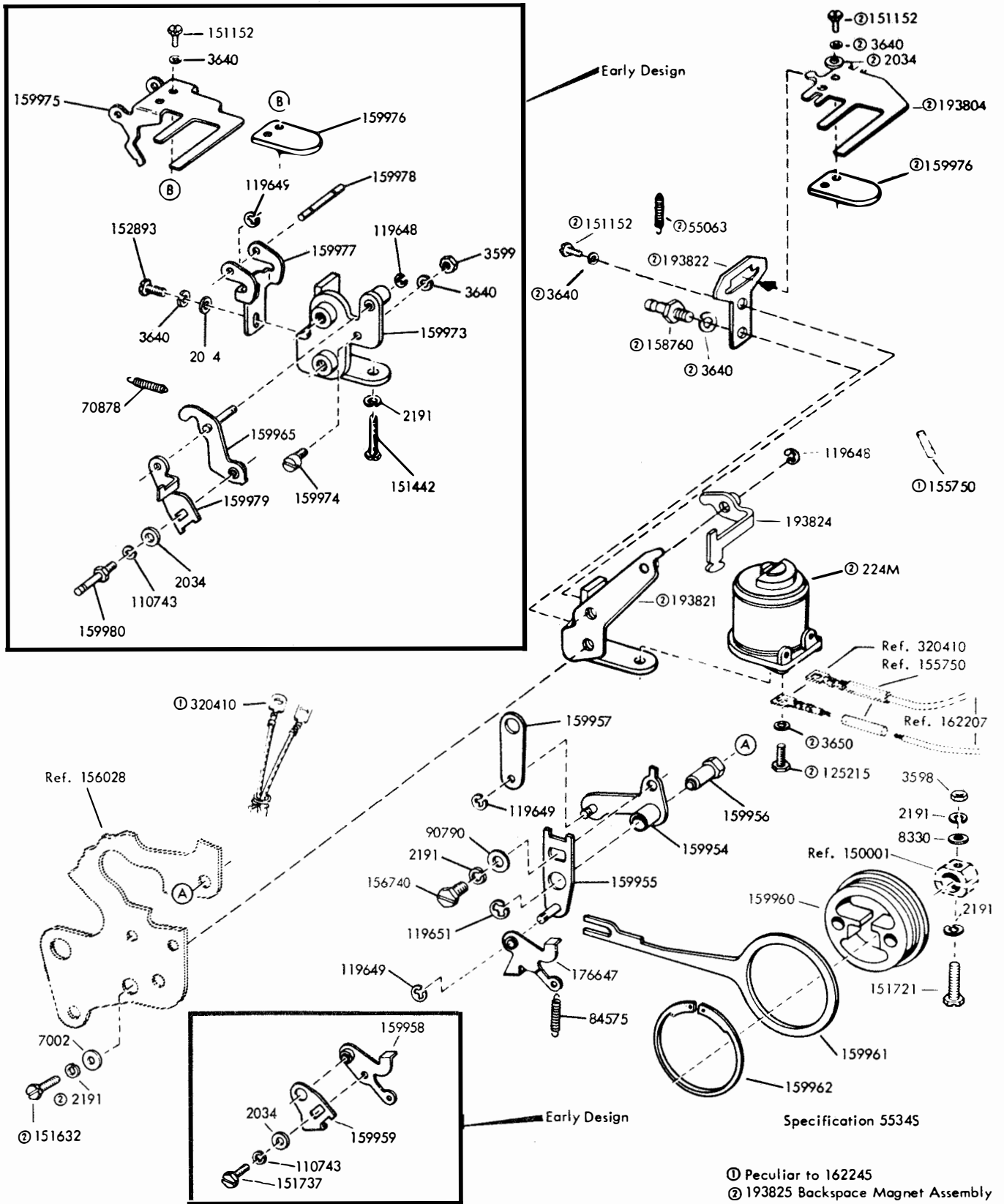
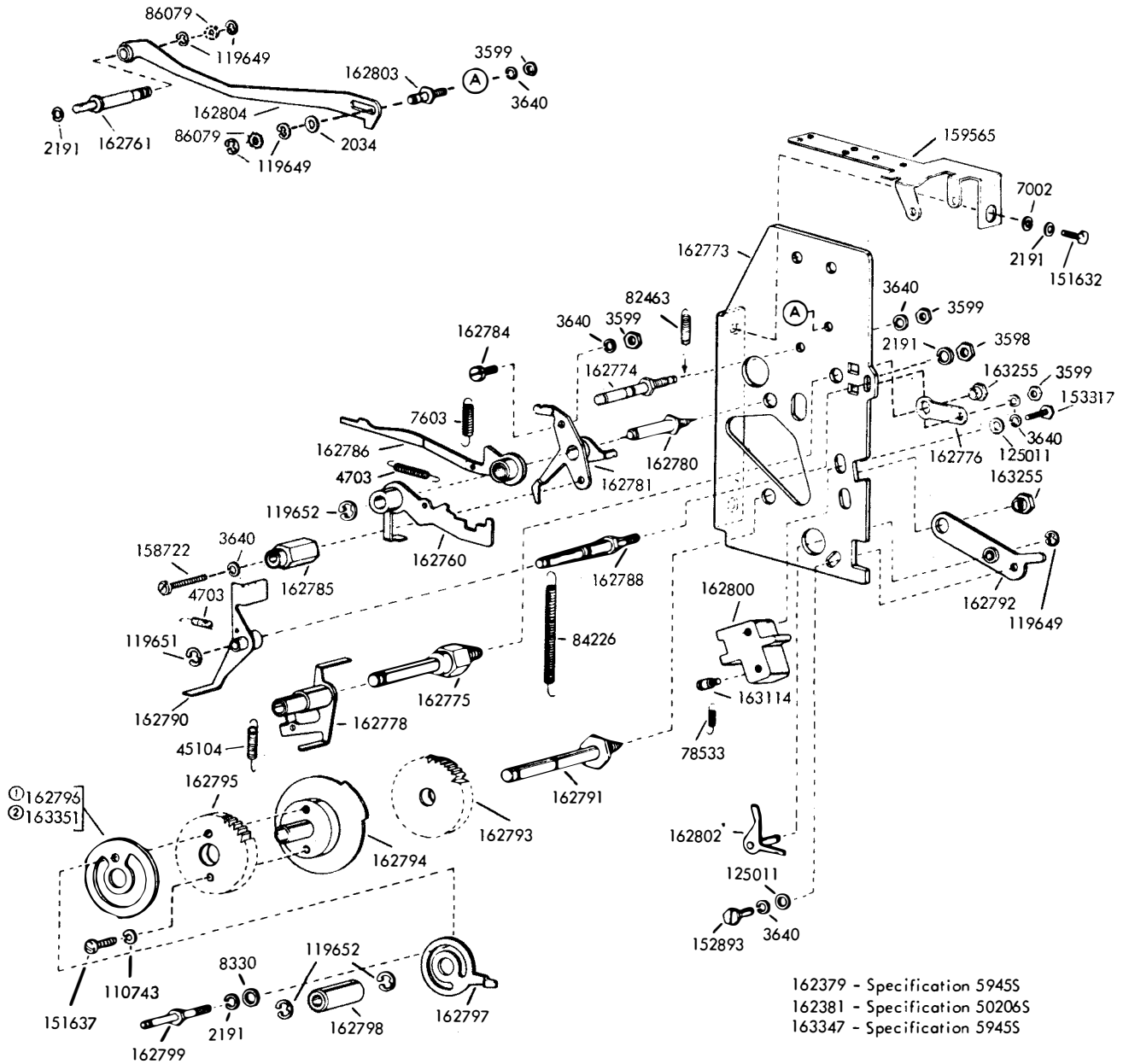
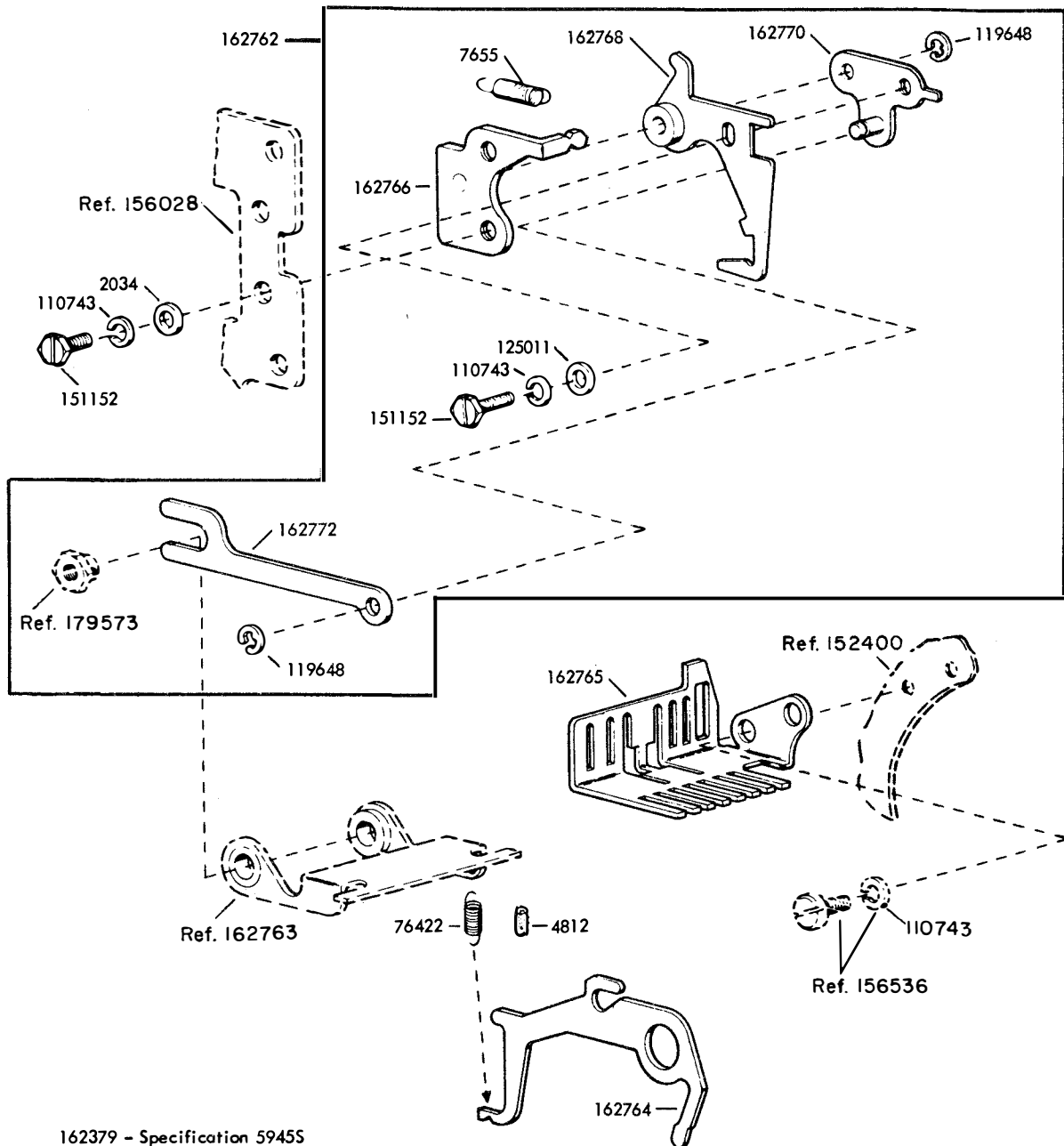


Figure 7-144. Modification Kits 161304 and 162245 to Add Power Drive to Backspace Mechanisms



- ① Peculiar to 162379 and 162381 (4 Second Time Delay at 100 WPM)
- ② Peculiar to 163347 (16 Second Time Delay at 100 WPM)

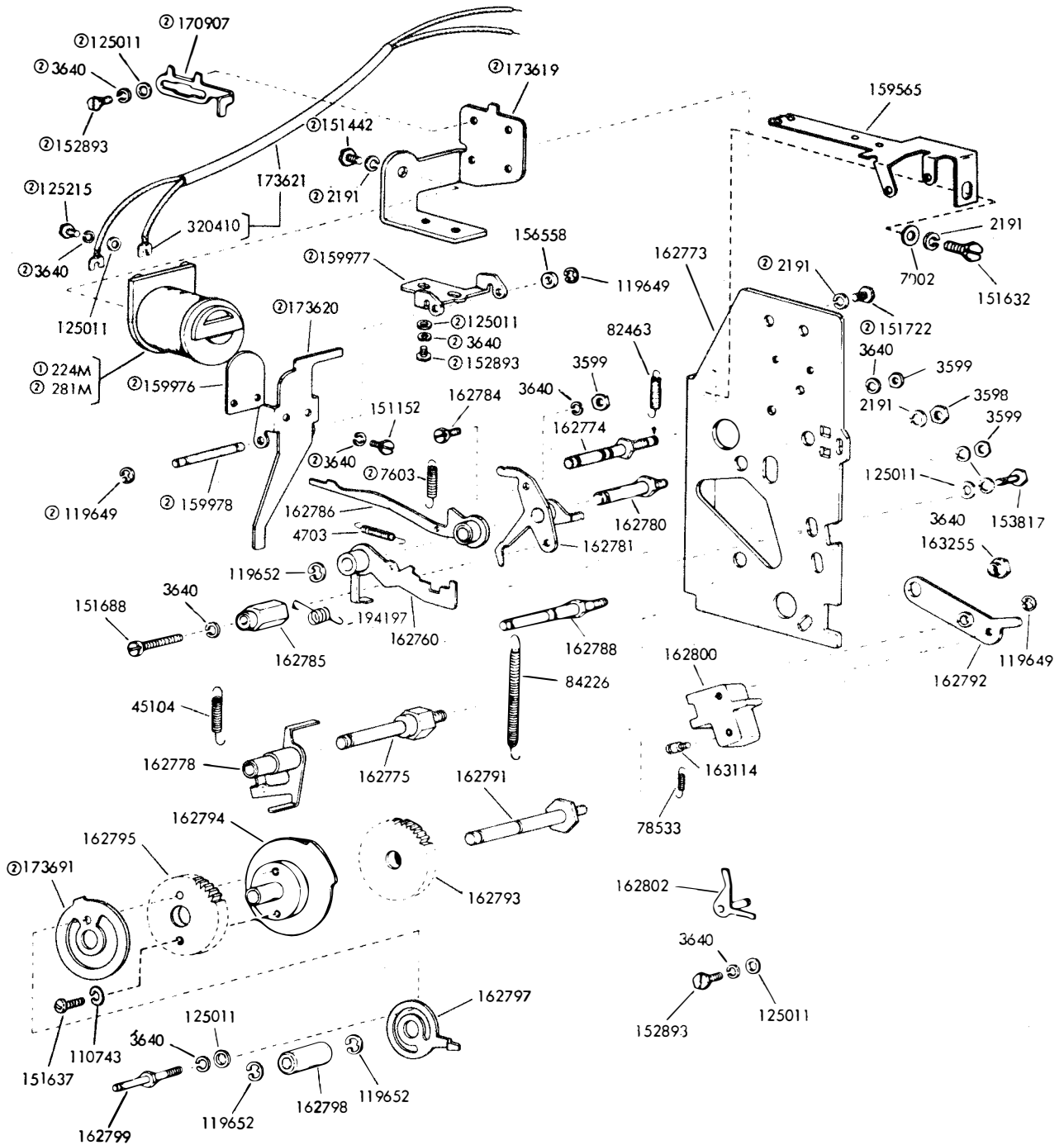
Figure 7-145. Modification Kits 162379 and 163347 to Add Automatic Non-Interfering Tape Feed-Out, and Modification Kit 162381 for Automatic Non-Interfering BLANK Tape Feed-Out



- 162379 - Specification 59455
- 162380 - Specification 500595
- 163347 - Specification 59455
- 173443 - Specification 500435
- 176628 - Specification 500435

(ALSO SEE FIGURES 7-145 & 7-147)

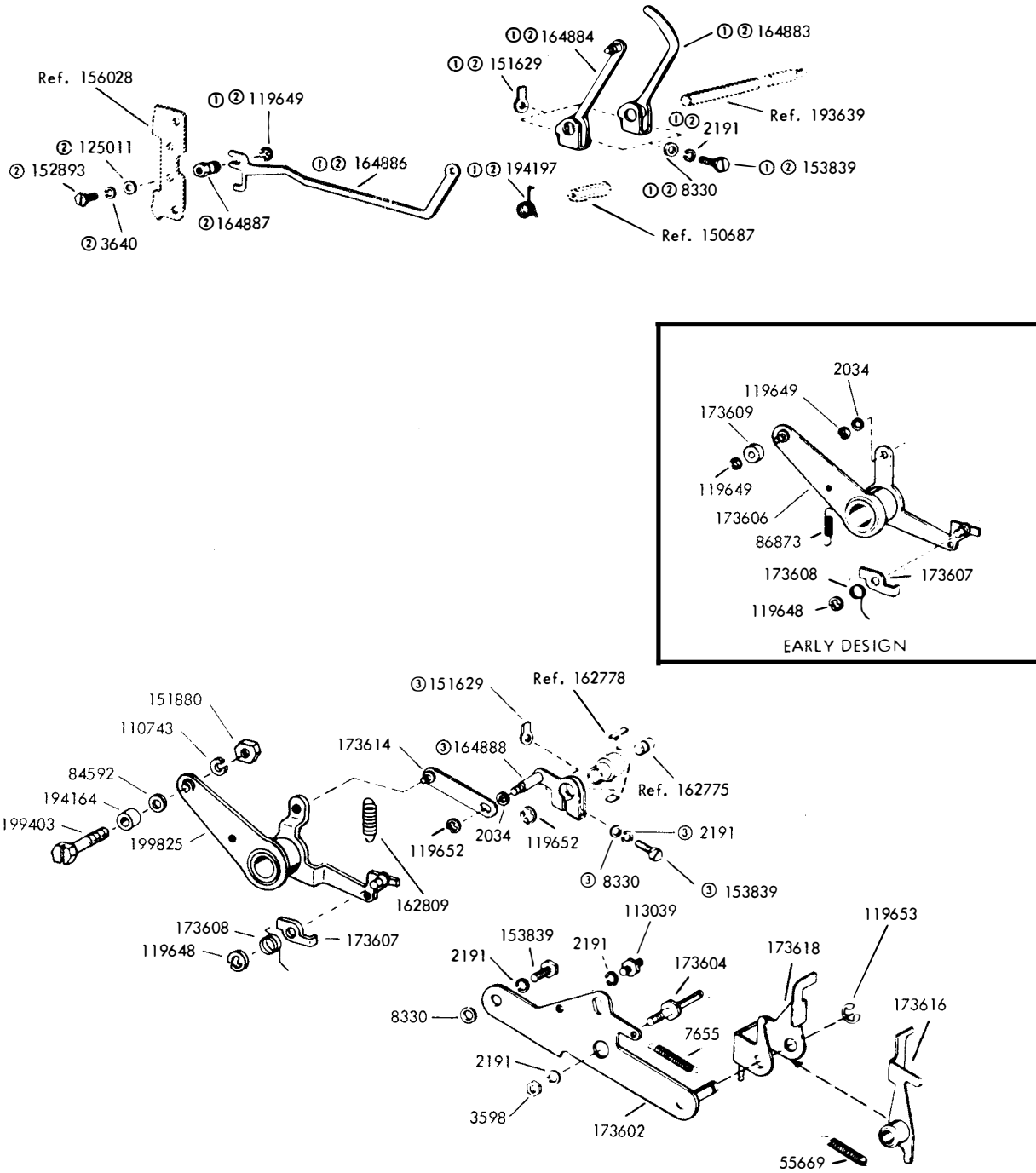
Figure 7-146. Modification Kit 162379 (Automatic LETTERS, 162380, Remote Control BLANK), 163347 (Automatic LETTERS, 162381, Automatic BLANK), 173443 (Remote Control LETTERS), and 176628 (Remote Control LETTERS) to Add Non-Interfering Tape Feed-Out (Sheet 2 of 2)



- ① Peculiar to 176628
- ② Peculiar to 198070
- 198070 - Specification 5772S
- 162380 - Specification 50059S
- 173443 - Specification 50043S
- 176628 - Specification 50043S

(Also see figures 7-145 & 7-146)

Figure 7-147. Modification Kits 162380 (BLANK), 162381 (Automatic BLANK), 173443 (LETTERS) and 176628 (LETTERS), to Add Remote Control Non-Intefering Tape Feed-Out and BLANK Feed-Out 198070 to Model 28 Reperforator (Sheet 1 of 2)



- 162380 - Specification 500595
- 162381 - Specification 502065
- 173443 - Specification 500435
- 176628 - Specification 500435
- 198070 - Specification 57725
- ① Peculiar to 162381 Modification Kit
- ② Peculiar to 162380 Modification Kit
- ③ Peculiar to 198070 Modification Kit
- (Also See Figures 7-145 & 7-146)

Figure 7-147. Modification Kits 162380 (BLANK), 162381 (Automatic BLANK), 173443 (LETTERS) and 176629 (LETTERS), to Add Remote Control Non-Interfering Tape Feed-Out and BLANK Feed-Out 198070 to Model 28 Reperforator (Sheet 2 of 2)

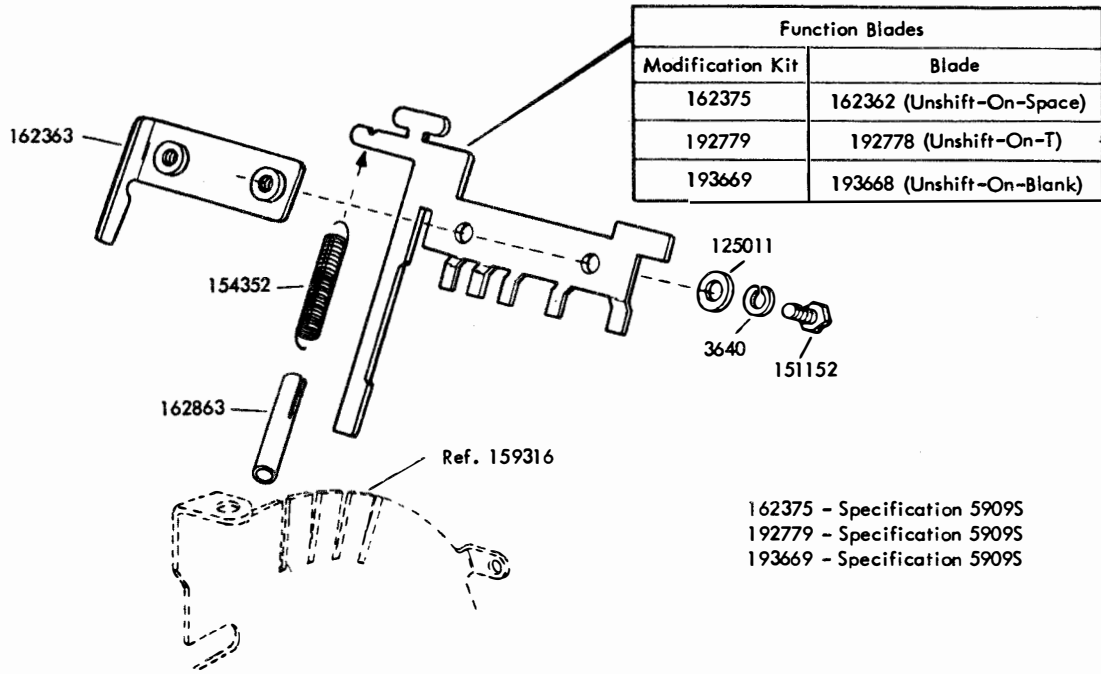
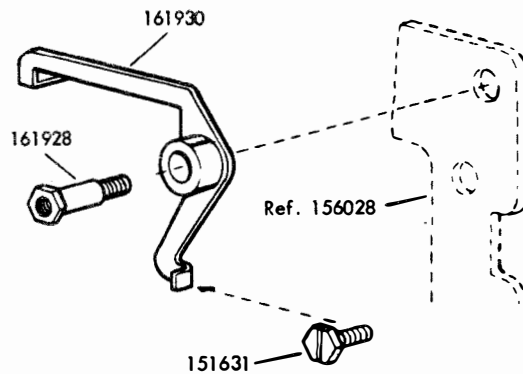


Figure 7-148. Modification Kits to Provide Unshift Function



161828 - Specification 5534S

Figure 7-149. Modification Kit 161828 to Make Tape Backspace and BLANK Feed-Out Compatible

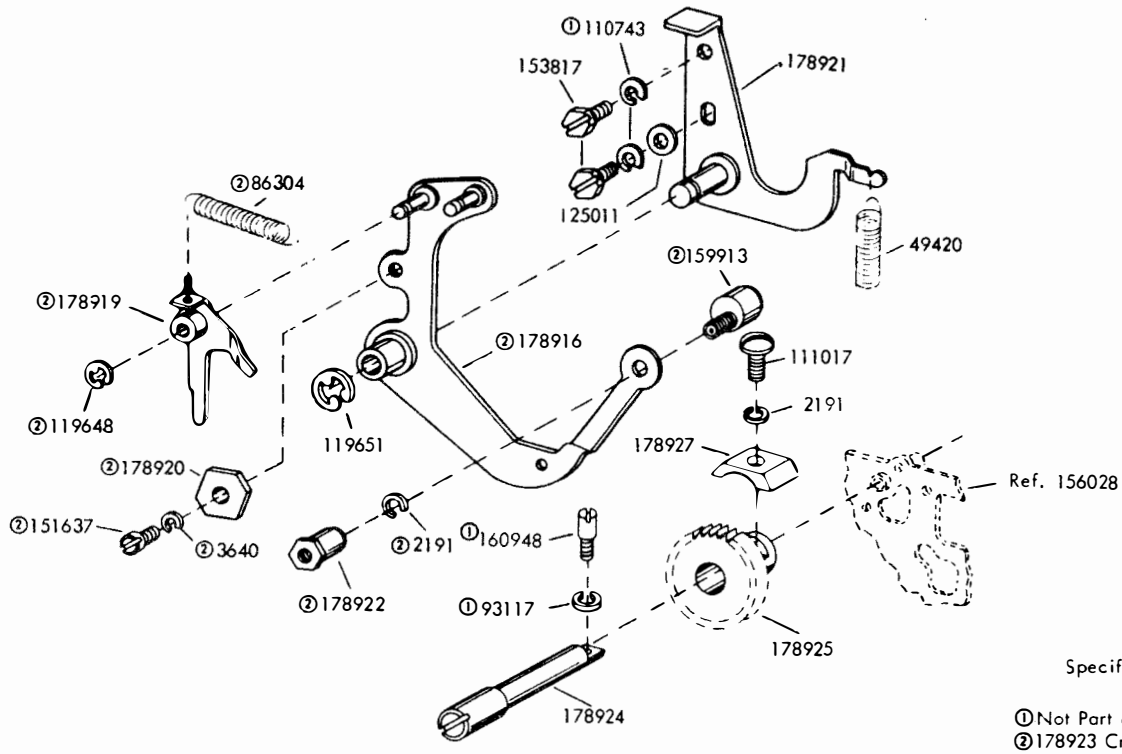


Figure 7-150. Modification Kit 178917 to Provide Backspace Mechanism for Fully Perforated Tape and Printing Between Feed Holes

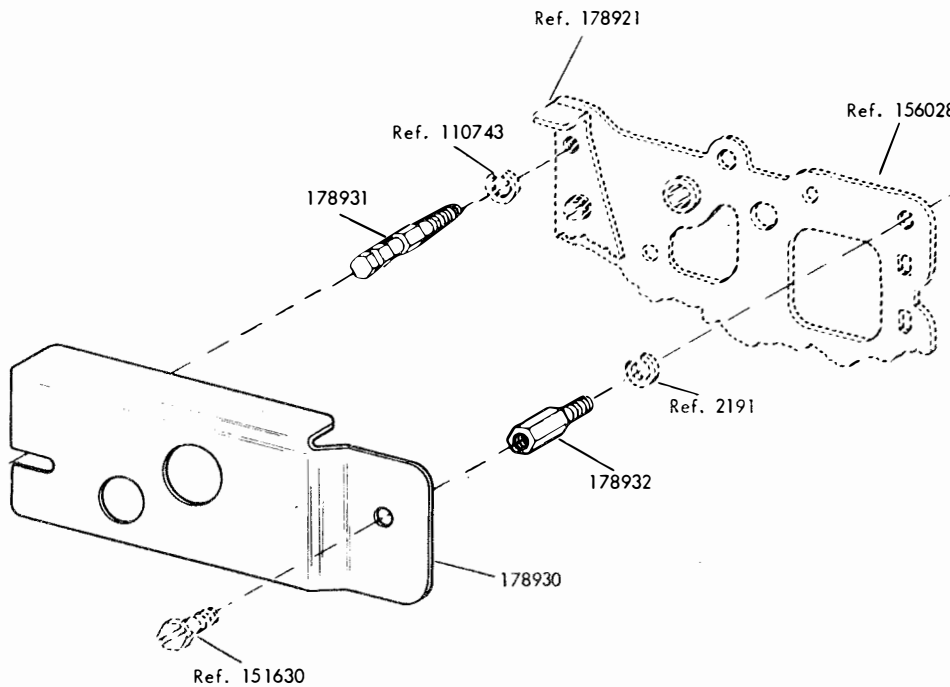


Figure 7-151. Modification Kit 178918 to Provide Guard for Backspace Mechanism (Fully Perforated Tape Printing Between Feed Holes)

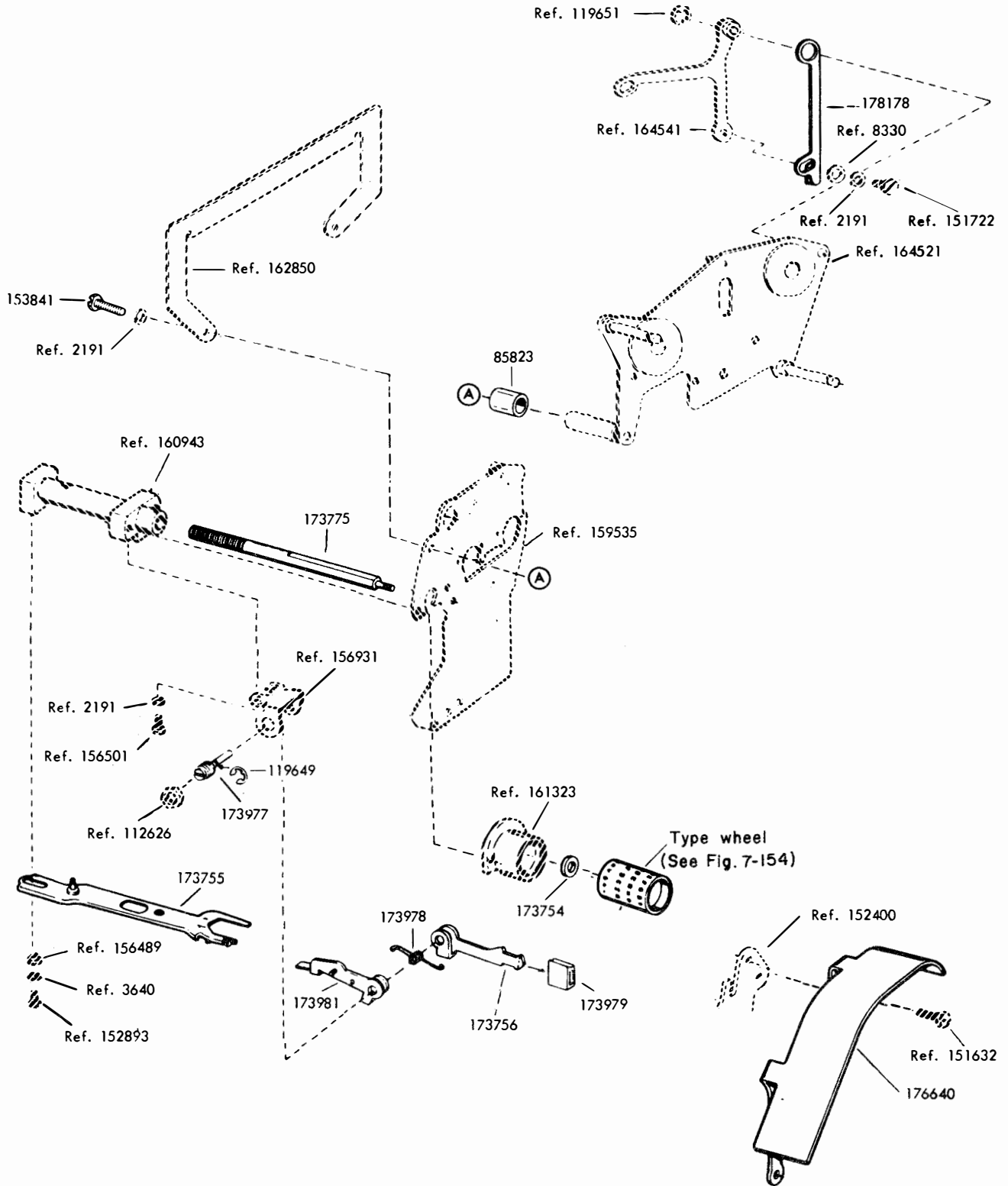


Figure 7-152. Modification Kit 178834 to Convert Ribbon-Feed Mechanism to Fully Perforated Tape (Sheet 1 of 2)

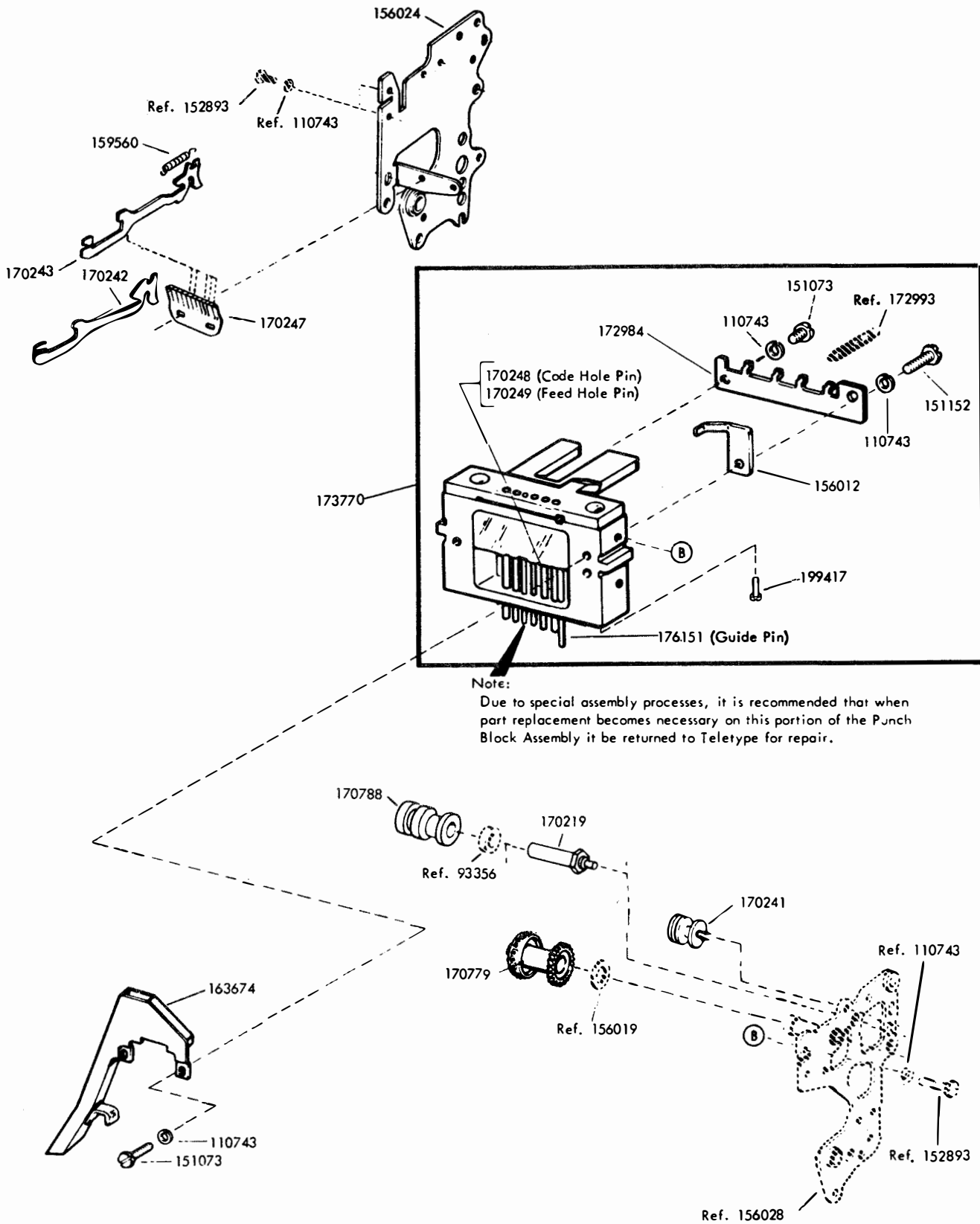
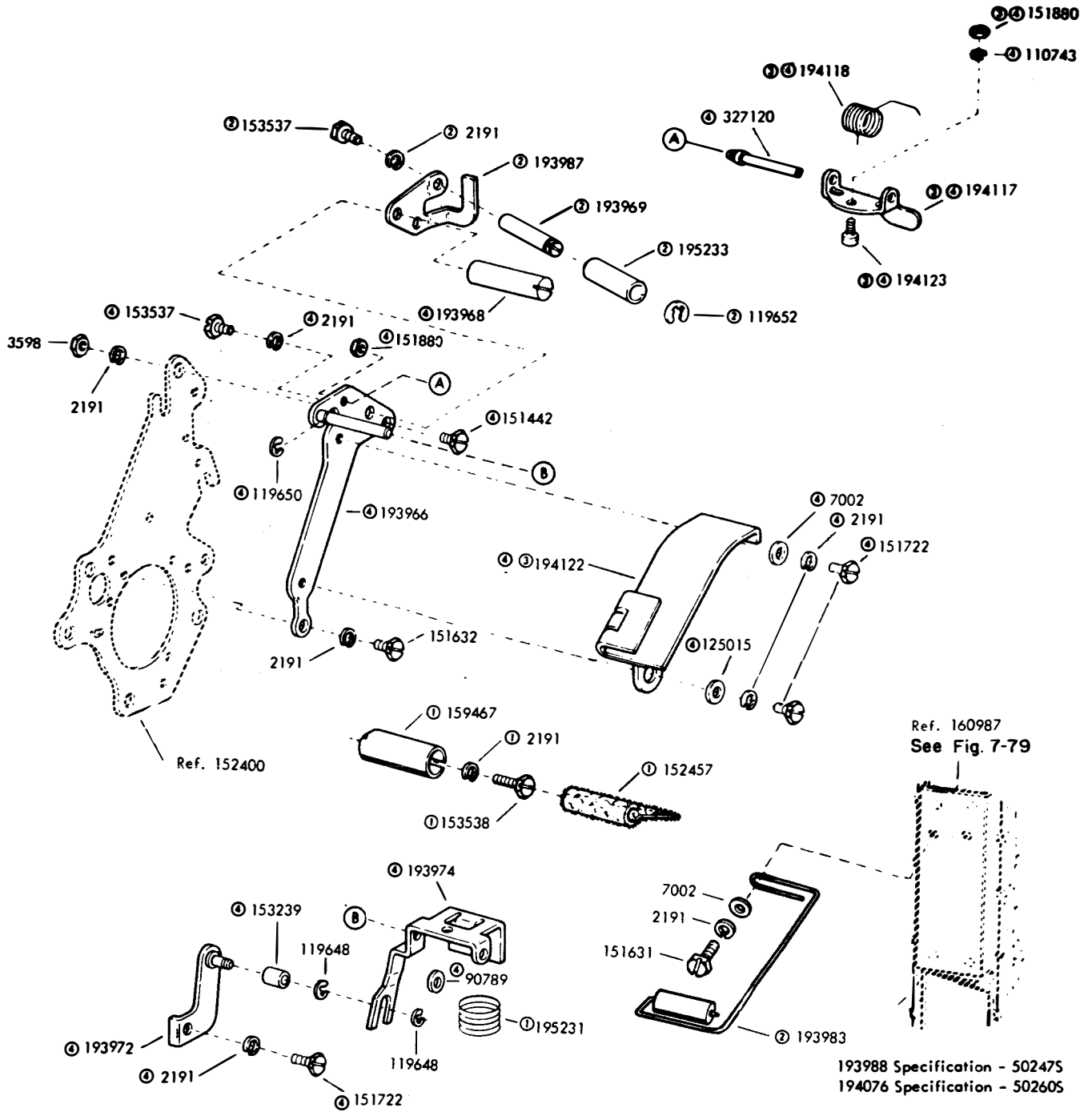


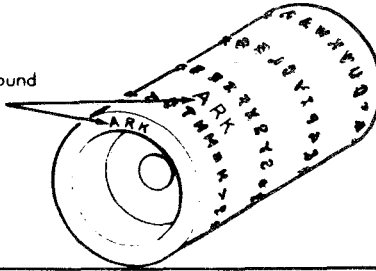
Figure 7-152. Modification Kit 178834 to Convert Ribbon-Feed Mechanism to Fully Perforated Tape (Sheet 2 of 2)



- ① Early Design Part
- ② 194076 Modification Kit to Reroute Tape
- ③ Replaces Early Design 195231
- ④ 193988 Modification Kit to maintain Slack Tape

Figure 7-153. Slack Tape and Reroute Tape Mechanisms

Typewheel Code may be found in either of two locations.



TYPEWHEEL ARRANGEMENT													
COMMUNICATION		COMMUNICATION		COMMUNICATION		FRACTION		FRACTION		FRACTION		WEATHER	
CODE	PART NUMBER	CODE	PART NUMBER	CODE	PART NUMBER	CODE	PART NUMBER	CODE	PART NUMBER	CODE	PART NUMBER	CODE	PART NUMBER
AWA	173967	AFU	175690	AWJ	175573	ABA	175586	AGM	307306	AXY	175520	ARE	173970
ABD	175588	AFV	175691	AWM	175576	ABC	175587	AGP	307308	AXZ	175521	ABZ	175607
ABE	175589	AFW	175692	AWU	175582	ABG	175591	AGT	307311	AYB	175523	ADH	175636
ABF	175590	AFX	175693	AXE	175504	ABM	175596	AGU	307312	AYE	175526	ADR	175643
ABH	175592	AFY	175694	AXG	175506	ABN	175597	AGW	307314	AYG	175528	AGS	307310
ABJ	175593	AGA	175696	AXH	175507	ABR	175599	AGX	307315	AYL	175532	AHT	307333
ABL	175595	AGE	307300	AXP	175513	ABU	175602	AGY	307316	AYP	175535	AJK	307346
AG	175598	AGK	307304	AXR	175514	ABV	175603	AGZ	307317	AYS	175537	AJM	307350
ABS	175600	AGN	307307	AXU	175517	ABX	175605	AHB	307319	AYT	175538	AJR	307353
ABT	175601	AGR	307309	AYC	175524	ABY	175606	AHE	307322	AYV	175544	AKD	307364
ABW	175604	AHA	307318	AYF	175527	ACB	175609	AHK	307326	AZE	175552	ARM	163677
ACA	175608	AHC	307320	AYH	175529	ACE	175611	AHL	307327	AZG	175554	ARW	163683
ACD	175610	AHD	307321	AYK	175531	ACG	175613	AHM	307328	AZM	175559	AWB	163685
ACF	175612	AHF	307323	AYM	175533	ACH	175614	AHR	307331	AZN	175561	AWE	163688
ACL	175617	AHN	307329	AYR	175536	ACJ	175615	AHV	307335	AVZ	175567	AWP	175578
ACM	175618	AHP	307330	AYU	175543	ACK	175616	AJB	307341	BRB	175701	AWY	175584
ACN	175619	AHS	307332	AZC	175550	ACR	175621	AJD	307343	BRG	175706	AWZ	175585
ACP	175620	AHU	307334	AZH	175555	ACS	175622	AJE	307344	BRJ	175708	AXA	175500
ACT	175623	AHW	307336	AZJ	175556	ACZ	175629	AJH	307347	BRW	175719	AXC	175502
ACU	175624	AHX	307337	AZK	175557	ADA	175630	AJL	307349	BRX	175720	AXD	175503
ACV	175625	AHY	307338	AZP	175560	ADC	175632	AJP	307351	BWD	175723	AXF	175505
ACW	175626	AJA	307340	AZQ	175562	ADE	175633	AJT	307355	BWM	175731	AXS	175515
ACX	175627	AJC	307342	AZT	175565	ADF	175634	AJW	307357	BWY	175740	AYA	175522
ACY	175628	AJF	307345	AZU	175566	ADK	175638	AJX	307358	BXB	175743	AYD	175525
ADB	175631	AJS	307354	AZW	175568	ADM	175640	AKA	307361	BXD	175745	AYJ	175539
ADJ	175637	AJU	307356	AZX	175569	ADP	175642	AKB	307362	BXK	175751	AYN	175534
ADL	175639	AJZ	307360	AZY	175570	ADS	175644	AKC	307363			AYX	175546
ADT	175645	AKF	307366	BRL	175710	ADV	175647	AKE	307365			AYZ	175547
ADU	175646	AKG	307367	BRN	175712	ADX	175649	AKH	307368			AZF	175553
ADW	175648	AKJ	307369	BRP	175713	ADY	175650	AKS	307375			AZL	175558
AED	175655	AKL	307370	BRQ	175714	ADZ	175651	AKT	307376			AZR	175563
AEF	175656	AKM	307371	BRT	175716	AEA	175652	AKV	307378			AZS	175564
AEG	175657	AKN	307372	BWC	175700	AEB	175653	AKX	307380			BRF	175705
AEH	175658	AKP	307373	BWH	175727	AEB	175659	ALB	307384			BRH	175707
AEK	175660	AKR	307374	BWJ	175728	AEP	175664	ARC	173971			BRK	175709
AEL	175661	AKU	307377	BWK	175729	AER	175665	ARJ	173968			BRS	175715
AEM	175662	AKW	307379	BWL	175730	AET	175667	ARP	163678			BRV	175718
AEN	175663	AKY	307381	BWN	175732	AFA	175674	ART	163680			BRY	175721
AES	175666	AKZ	307382	BWP	175733	AFD	175677	ARU	163689			BRZ	175722
AEV	175669	ALA	307383	BWR	175734	AFE	175678	AWD	163687			BWE	175724
AEW	175670	ARA	173965	BWS	175735	AFH	175680	AWK	175574				
AEX	175671	ARK	163675	BWT	175736	AFK	175682	AWN	175577				
AEY	175672	ARL	163676	BWX	175739	AFL	175683	AWR	175579				
AFB	175675	ARS	173969	BWZ	175741	AFN	175685	AWT	175581				
AFC	175676	ARV	163684	BXA	175742	AFZ	175695	AWX	175583				
AFG	175679	ARX	163682	BXC	175744	AGB	175697	AXB	175501				
AFJ	175681	ARY	163681	BXE	175746	AGC	175698	AXL	175510				
AFM	175684	ARZ	163679	BXF	175747	AGD	175699	AXM	175511				
AFP	175686	AWC	163686	BXG	175748	AGF	307301	AXN	175512				
AFR	175687	AWF	163690	BXH	175749	AGH	307302	AXT	175516				
AFS	175688	AWG	175571	BXJ	175750	AGJ	307303	AXV	175518				
AFT	175689	AWH	175572	BXL	175752	AGL	307305	AXW	175519				

Figure 7-154. Type Wheels, Typing Reperforator

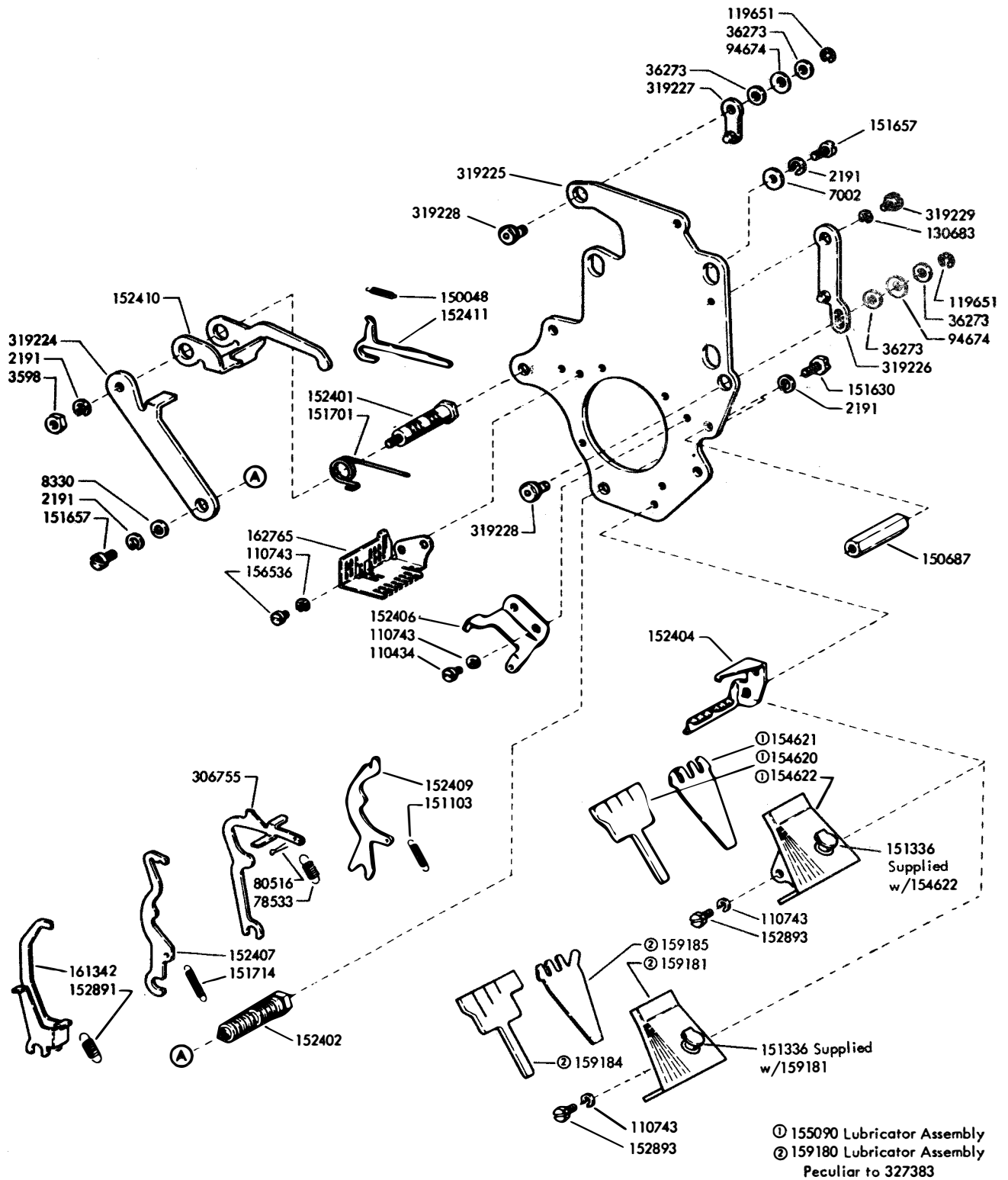


Figure 7-155. Selector Assemblies 319204 and 327383, Used on Low-Level Sets (Sheet 1 of 2)

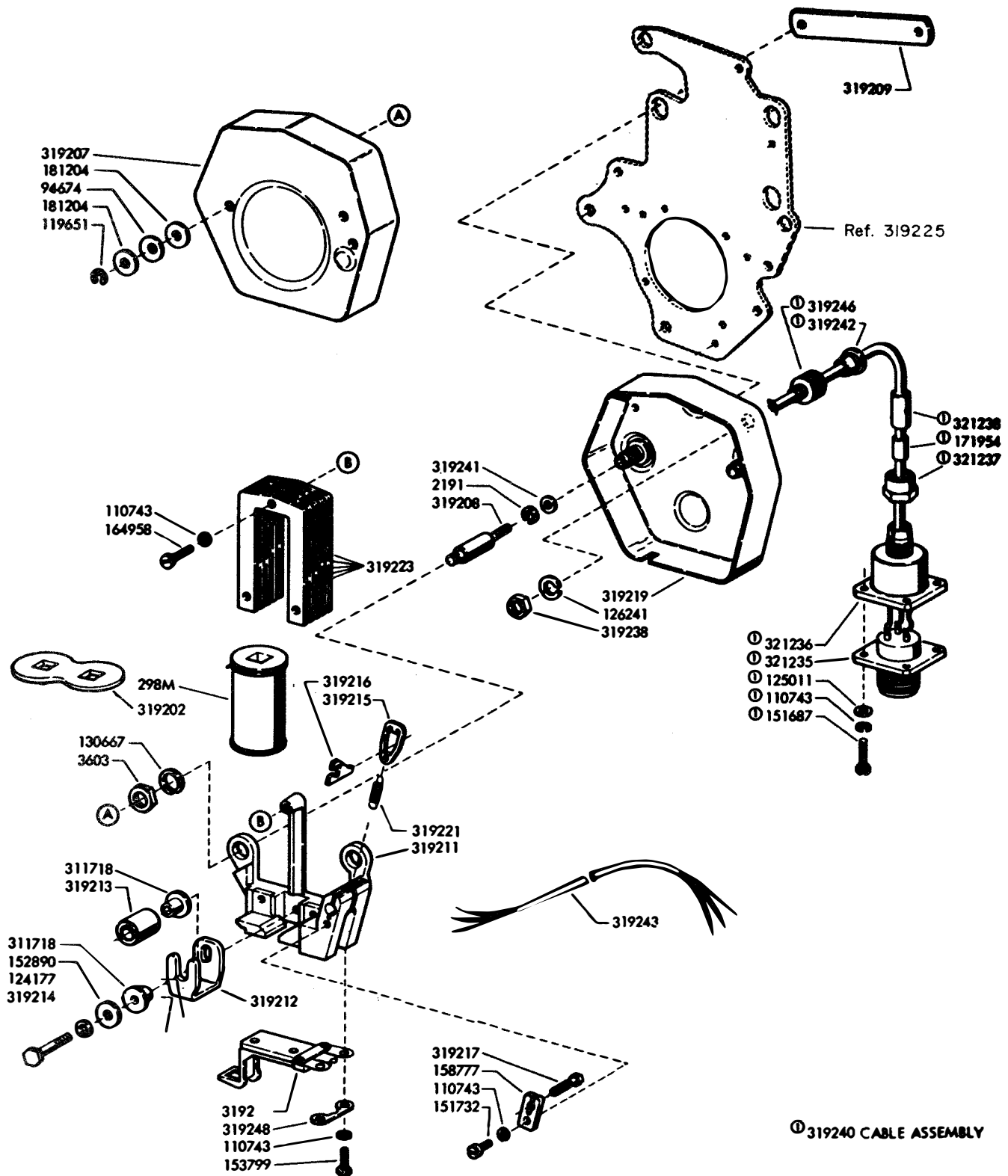


Figure 7-155. Selector Assemblies 319204 and 327383, Used on Low-Level Sets (Sheet 2 of 2)

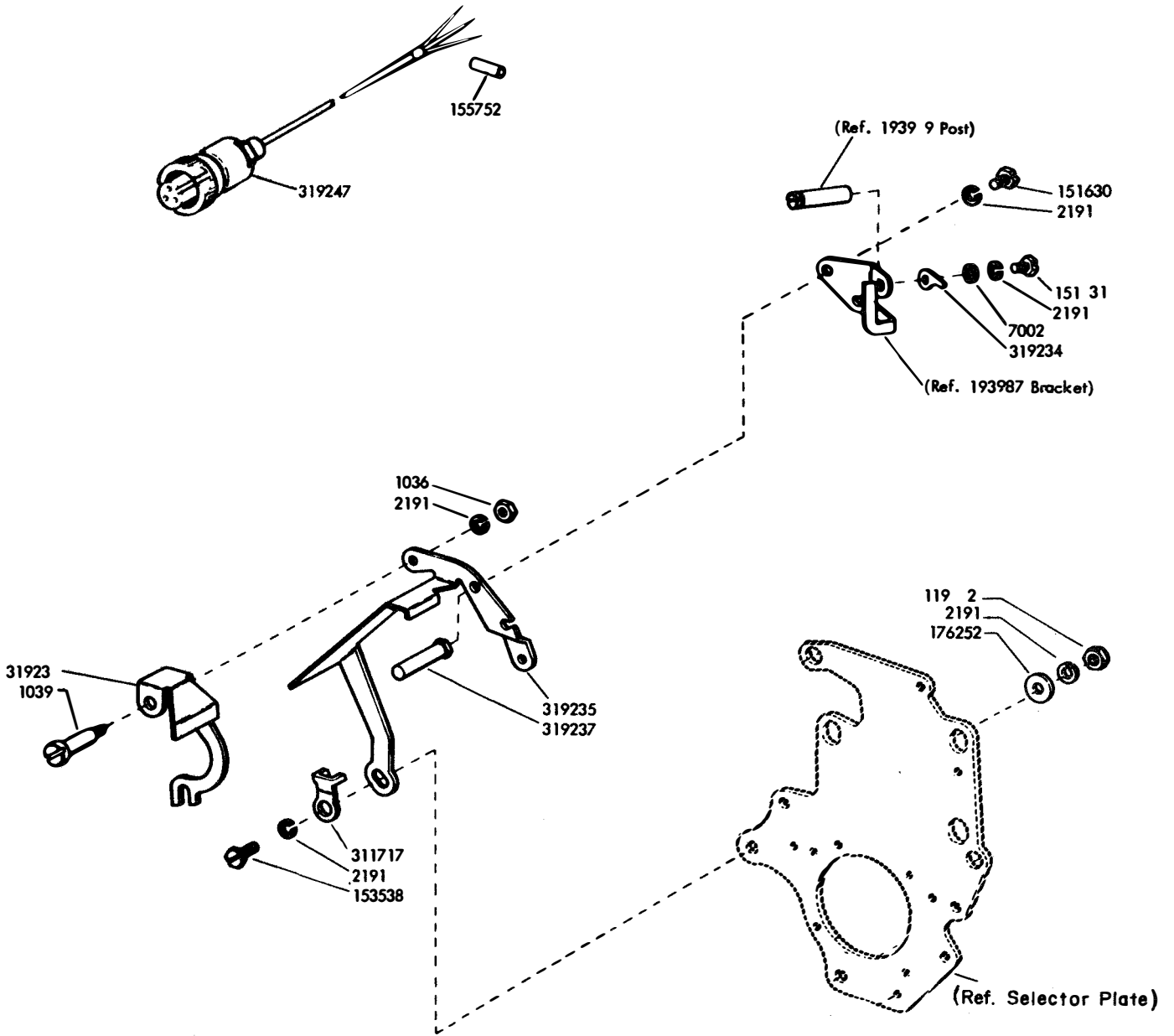


Figure 7-156. Selector Mounting Components for Typing Reperforator, Used on Low-Level Sets

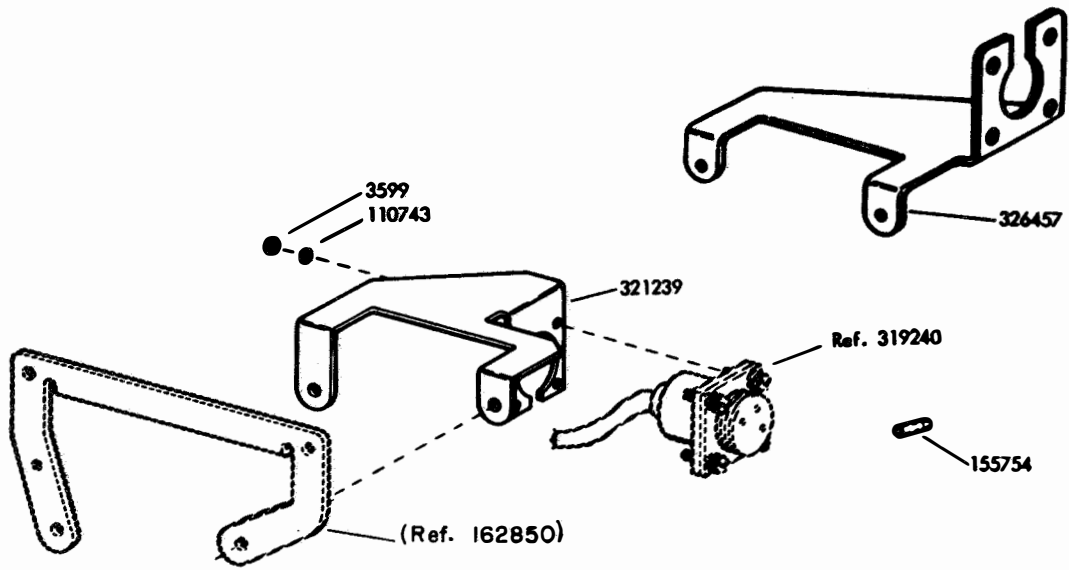


Figure 7-157. Cable Mounting Components for Typing Reperforator, Used on Low-Level Sets

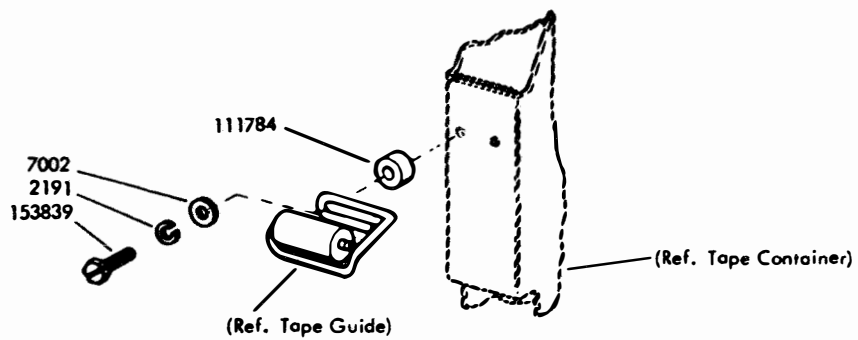


Figure 7-158. Tape Guide Mounting Components, Used on Low-Level Sets

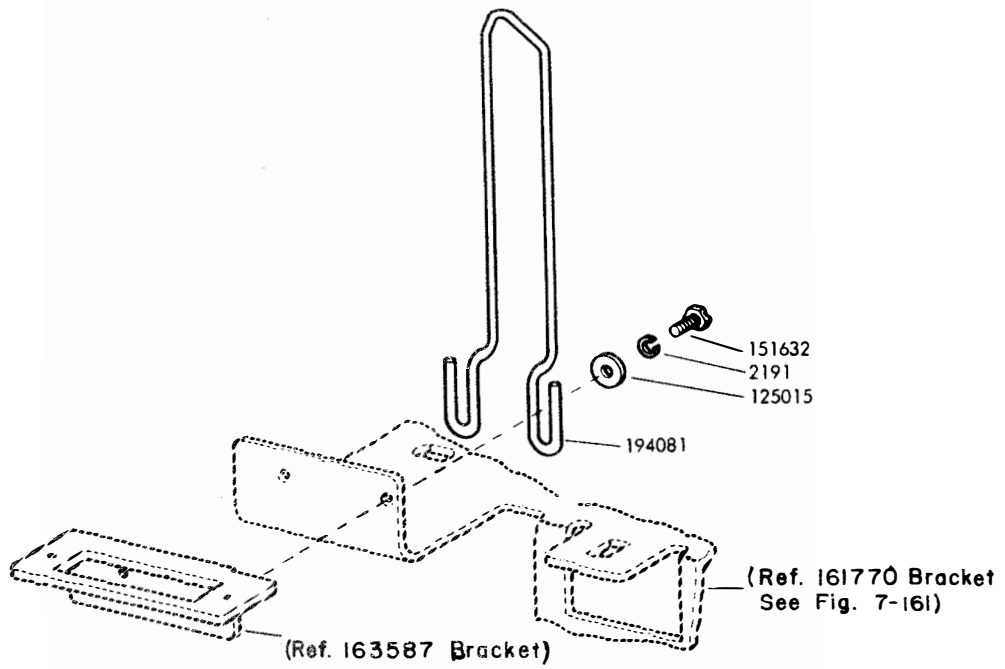
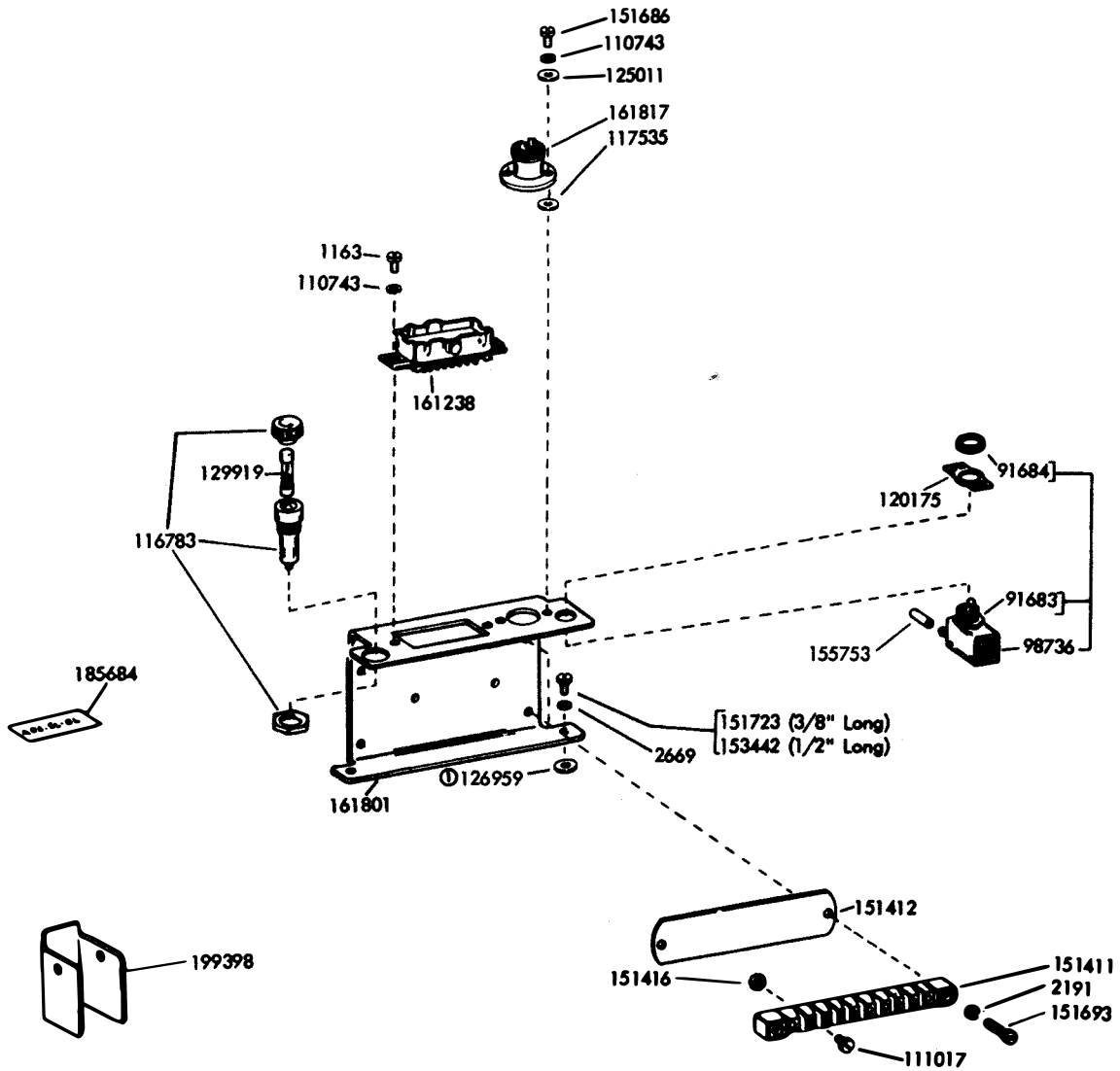


Figure 7-159. Tape Guide Mounting Components for Auxiliary Base, Used on Low-Level Sets



Ⓢ Used with the 153442 Screw

Figure 7-160. Base Electrical Components

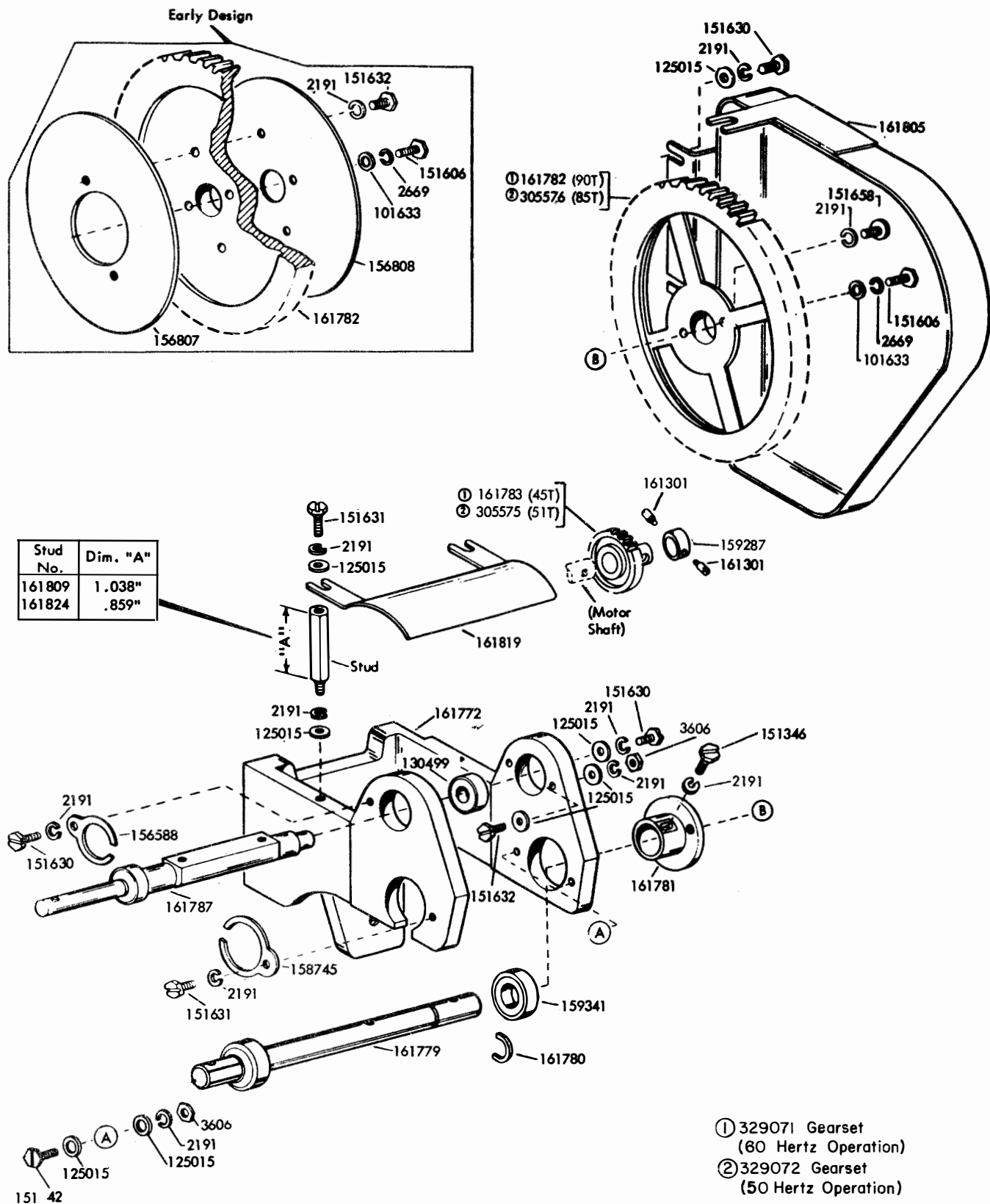


Figure 7-162. Gear Bracket Mechanism for Auxiliary Mounted Reperfector

Gear Set Number	W.P.M. or Baud	Motor Operation	Gear "A"	Gear "B"	Gear "C"	Gear "D"	Plate
161807	(WPM) 60-75-100	60 Hertz	158734	158716	158732	158712	161797
178869	(WPM) 60-67-100	60 Hertz	163262	158716	178870	158712	178885
192678	(BAUD) 45.5-50-75	60 Hertz	163262	179962	178870	179963	192680
① 305580	(BAUD) 45.5-50-74.2	50 Hertz	163262	158716	178870	158712	178885
315536	(BAUD) 45.5-50-75	50 Hertz	①163262	①176071	①178870	①176072	①192680

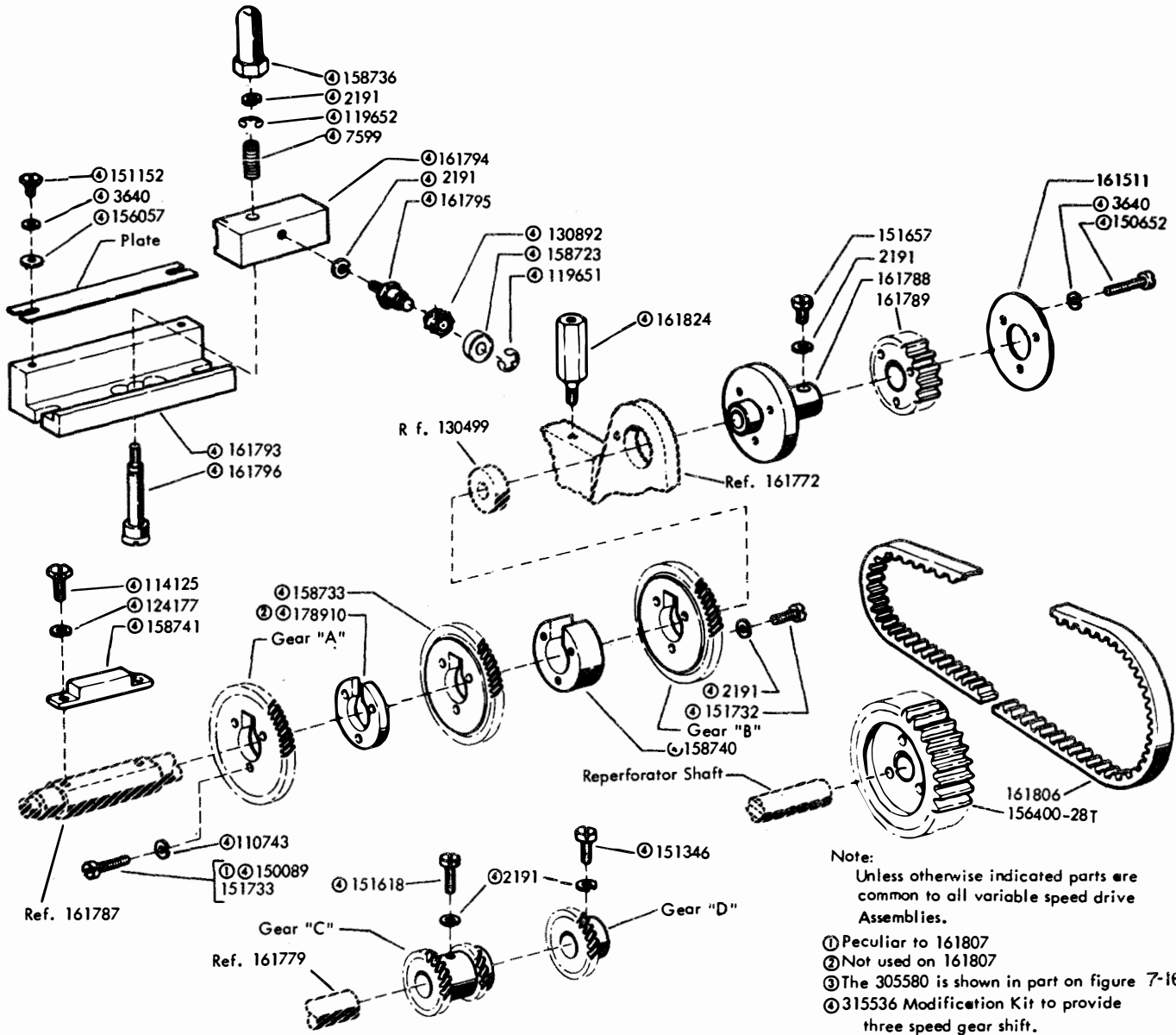
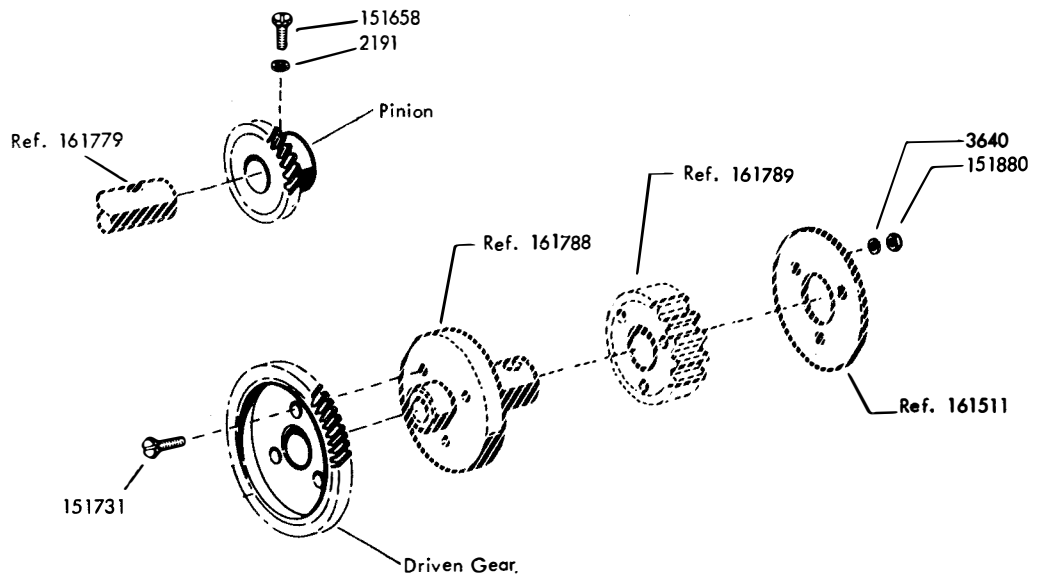


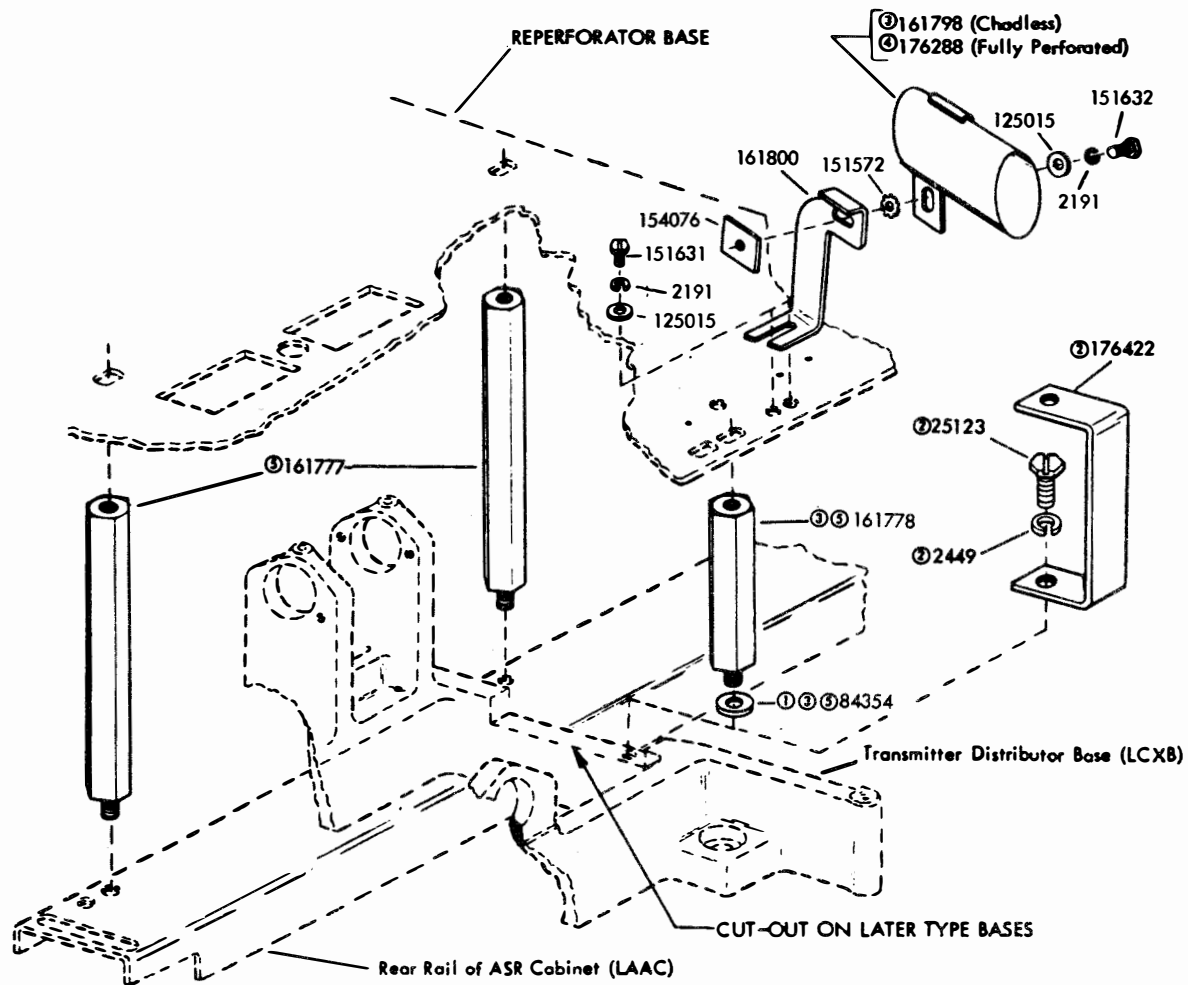
Figure 7-163. Variable Speed Drive Gearsets for Auxiliary Mounted Reperforator



Single Speed Drive Gear Sets for Auxiliary Mounted LPR Sets					
Gear Set	Driven Gear	Pinion	Unit Code	W. P. M. (Nominal)	Baud
② 161811	161790-44T	161784-18T	7.42	60	45.45
② 161812	161791-47T	161785-24T	7.42	75	56.88
② 161813	161792-39T	161786-26T	7.42	100	74.2
② 173820	173822-49T	173821-20T	7.00	65	45.45
② 163448	163447-49T	163446-22T	7.00	71	50
② 163451	163450-40T	163449-27T	7.00	107	75
① 319920	319919-51T	319918-25T	7.00	65	45.5
① 319923	319922-52T	319921-28T	7.00	71	50
① 319926	319925-26T	319924-21T	7.00	107	75

① Used with 3000 RPM Motors
 ② Used on 3600 RPM Motors

Figure 7-164. Single Speed Drive Gearsets for Auxiliary Mounted Reperforator



- ① Not required when unit is equipped with base isolation parts.
- ② Used on bases with cut-out
- ③ Peculiar to 161815
- ④ Peculiar to 176287
- ⑤ Part of the 179492 Specification 59295

Figure 7-165. Modification Kits 161815, 176287 and 179492 to Mount an Auxiliary Typing Reperforator Base

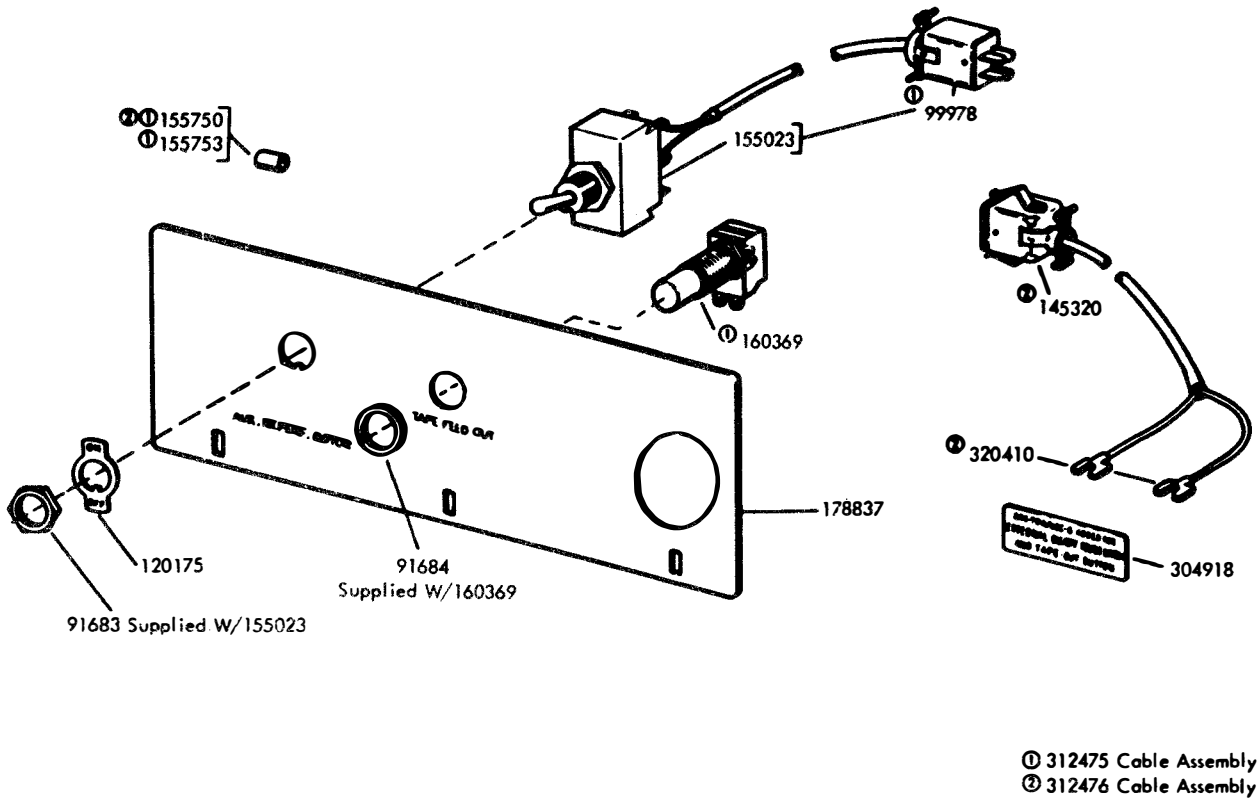


Figure 7-166. Modification Kit 178838 to Relocate Power Switch from Auxiliary Base to Outside of Cabinet

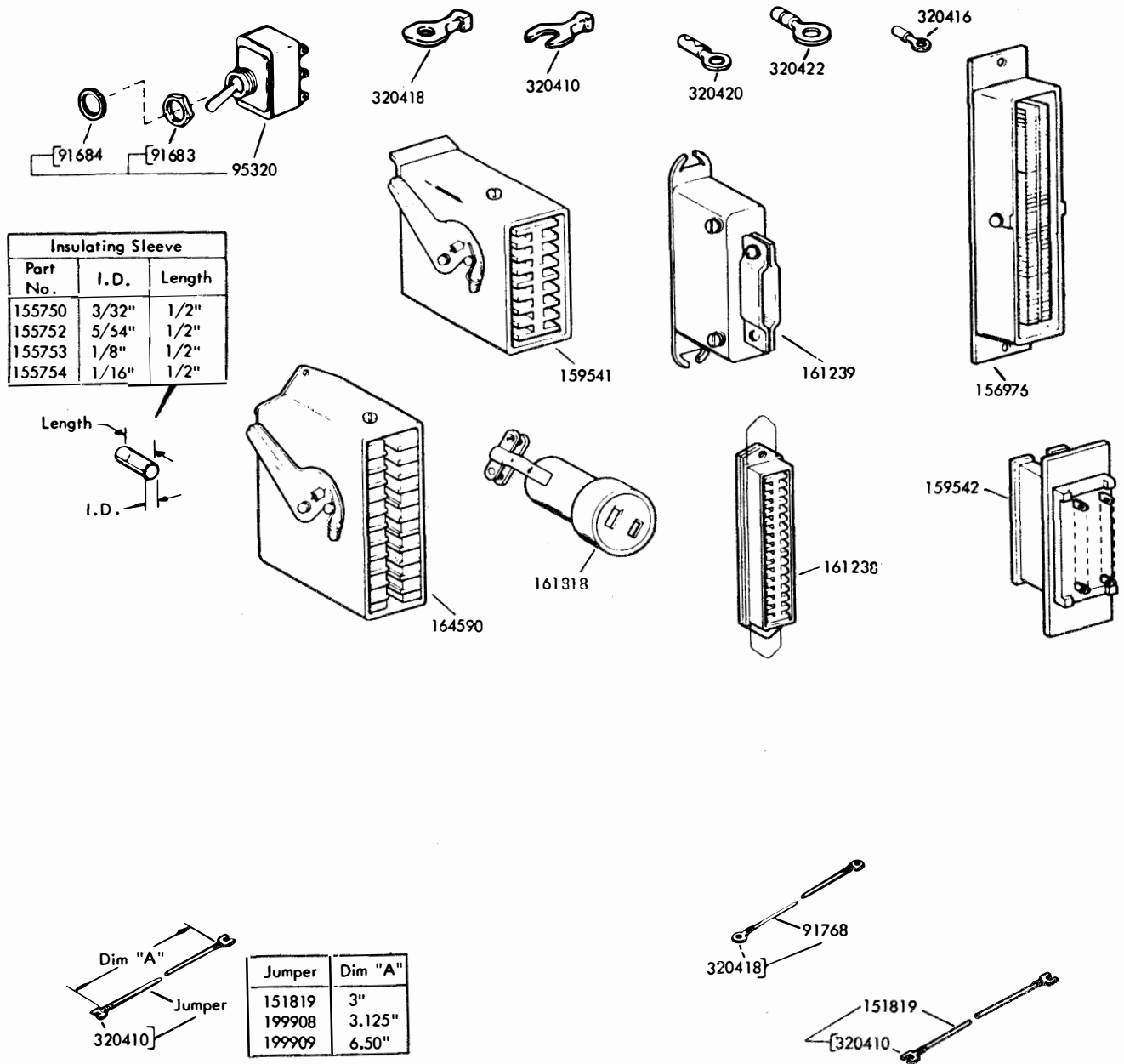


Figure 7-167. Cable Components, Typing Reperforator

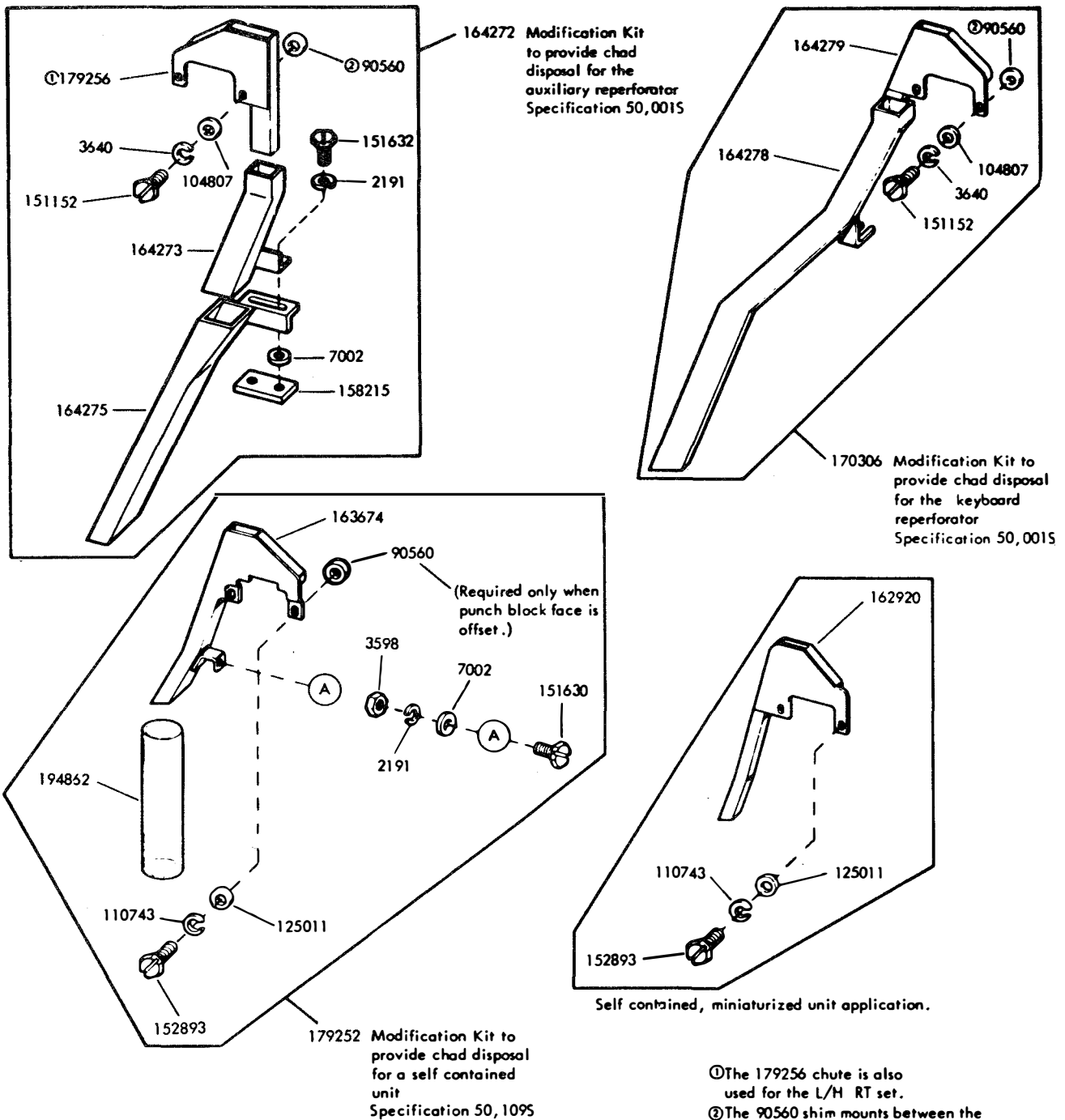


Figure 7-168. Modification Kits to Provide Chad Disposal

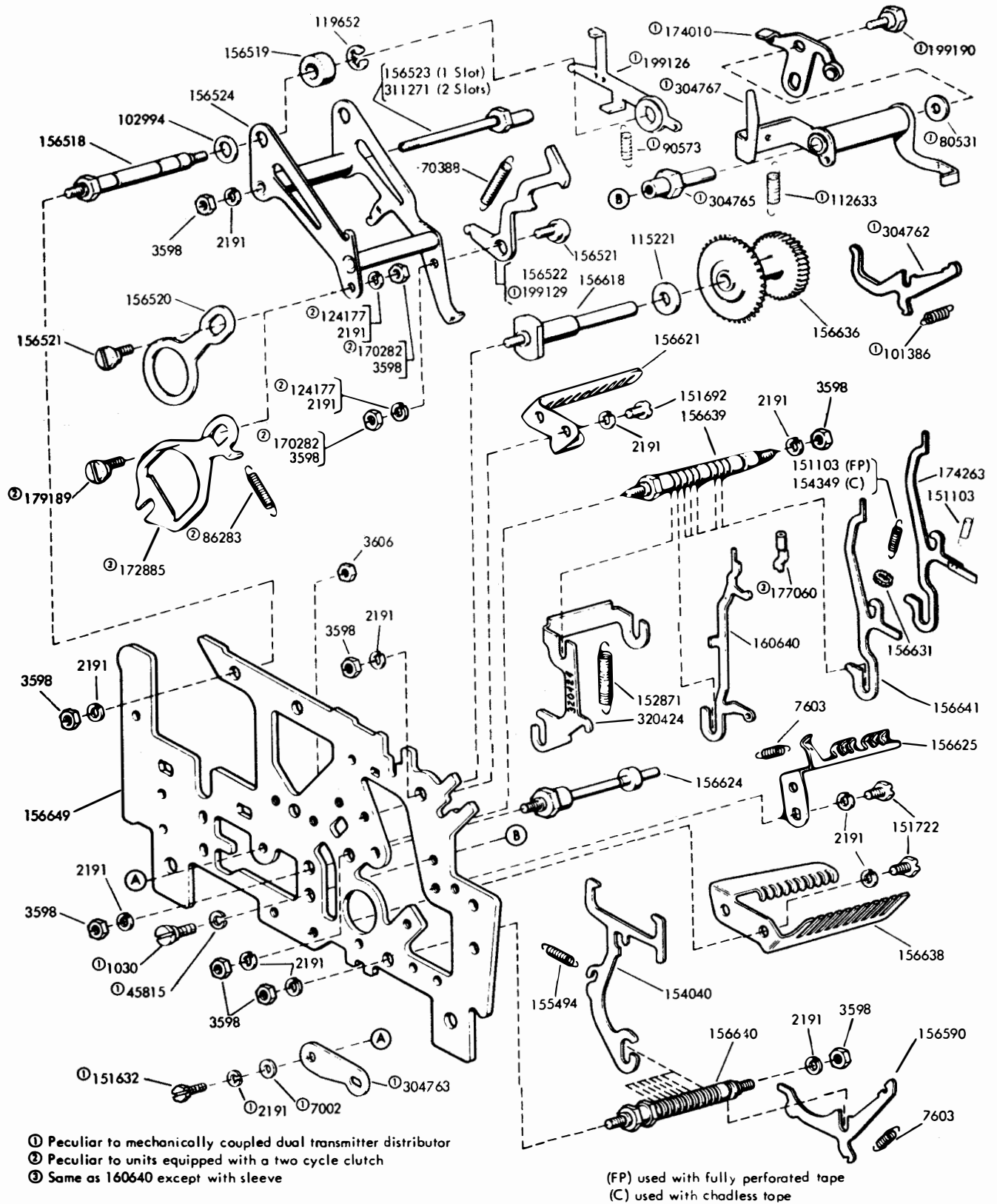


Figure 7-169. Front Plate Mechanism, Transmitter Distributor (Sheet 1 of 3)

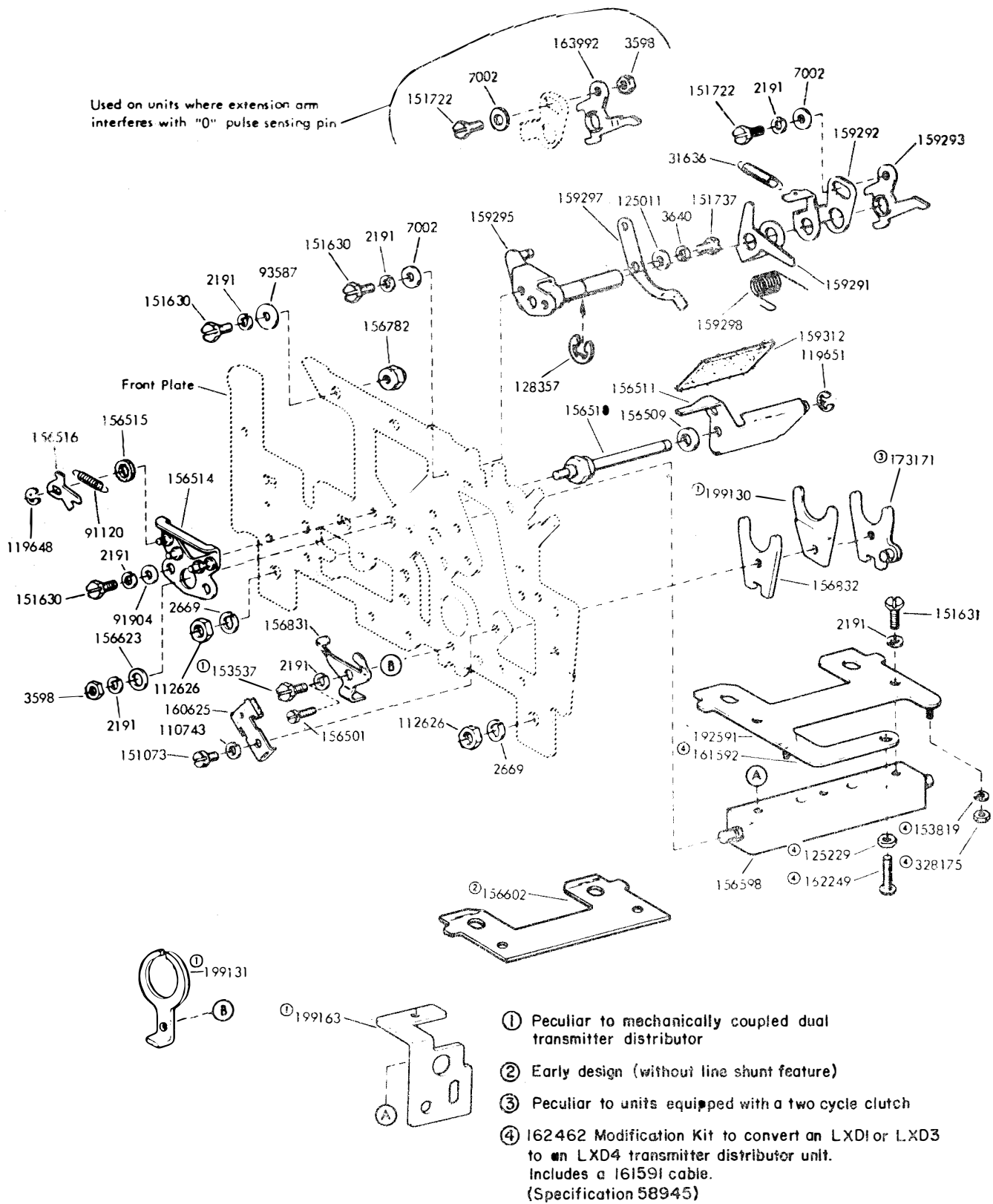


Figure 7-169. Front Plate Mechanism, Transmitter Distributor (Sheet 2 of 3)

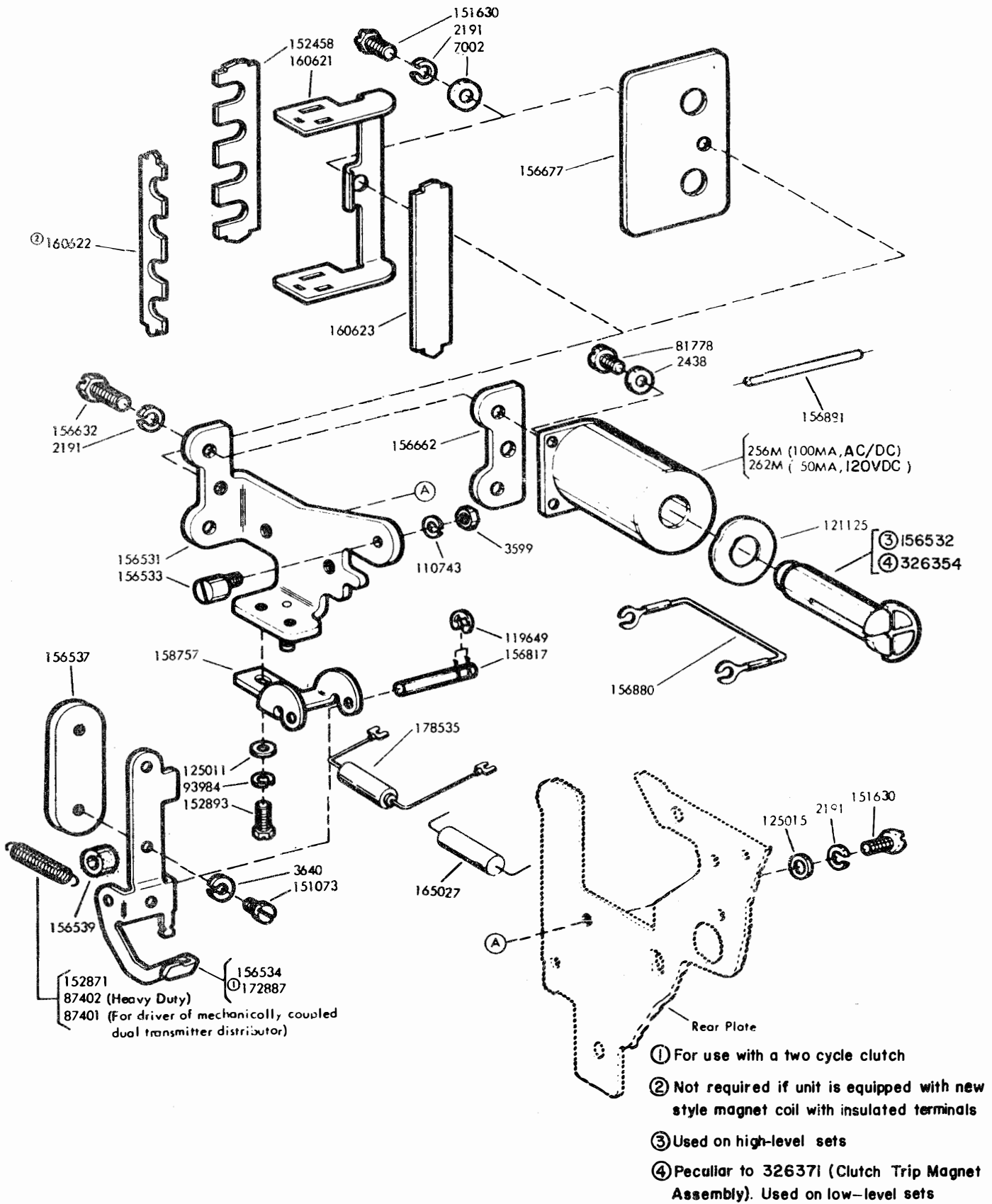
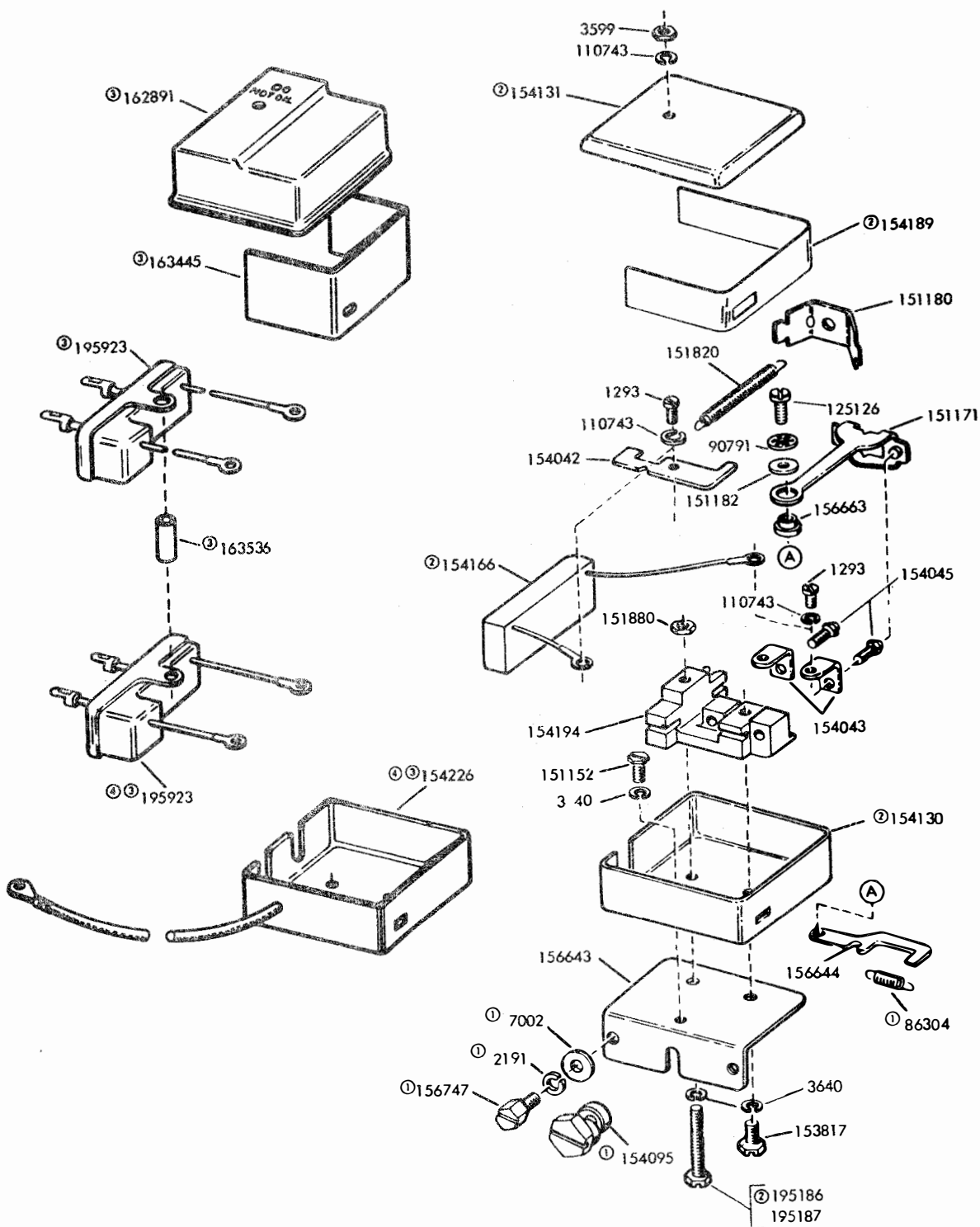
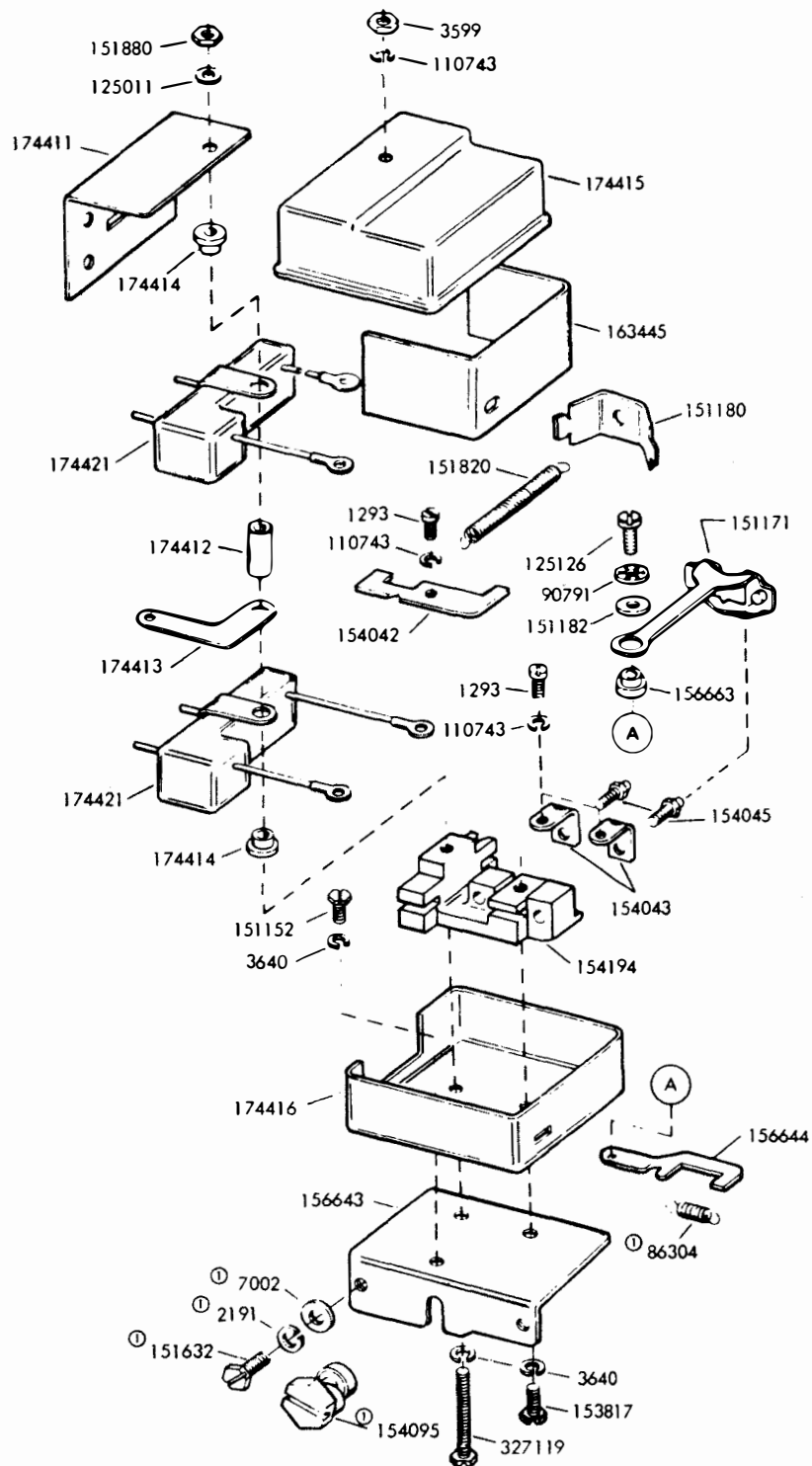


Figure 7-172. Clutch Trip Magnet Mechanism



- ① Not supplied with Contact Box
- ② Peculiar to 156648 (ARC suppression-neutral transmission)
- ③ Peculiar to 162997 (RF suppression-polar transmission)
- ④ 174491 Modification Kit to Provide R.F. Filter for Signal Generator Contacts. (Specification 500155)

Figure 7-173. Contact Box Assemblies 156648 and 162997, Used on High-Level Sets



ⓐ Not Part of Contact Box Assembly

Figure 7-174. Contact Box Assembly 174420, Used on High-Level Sets

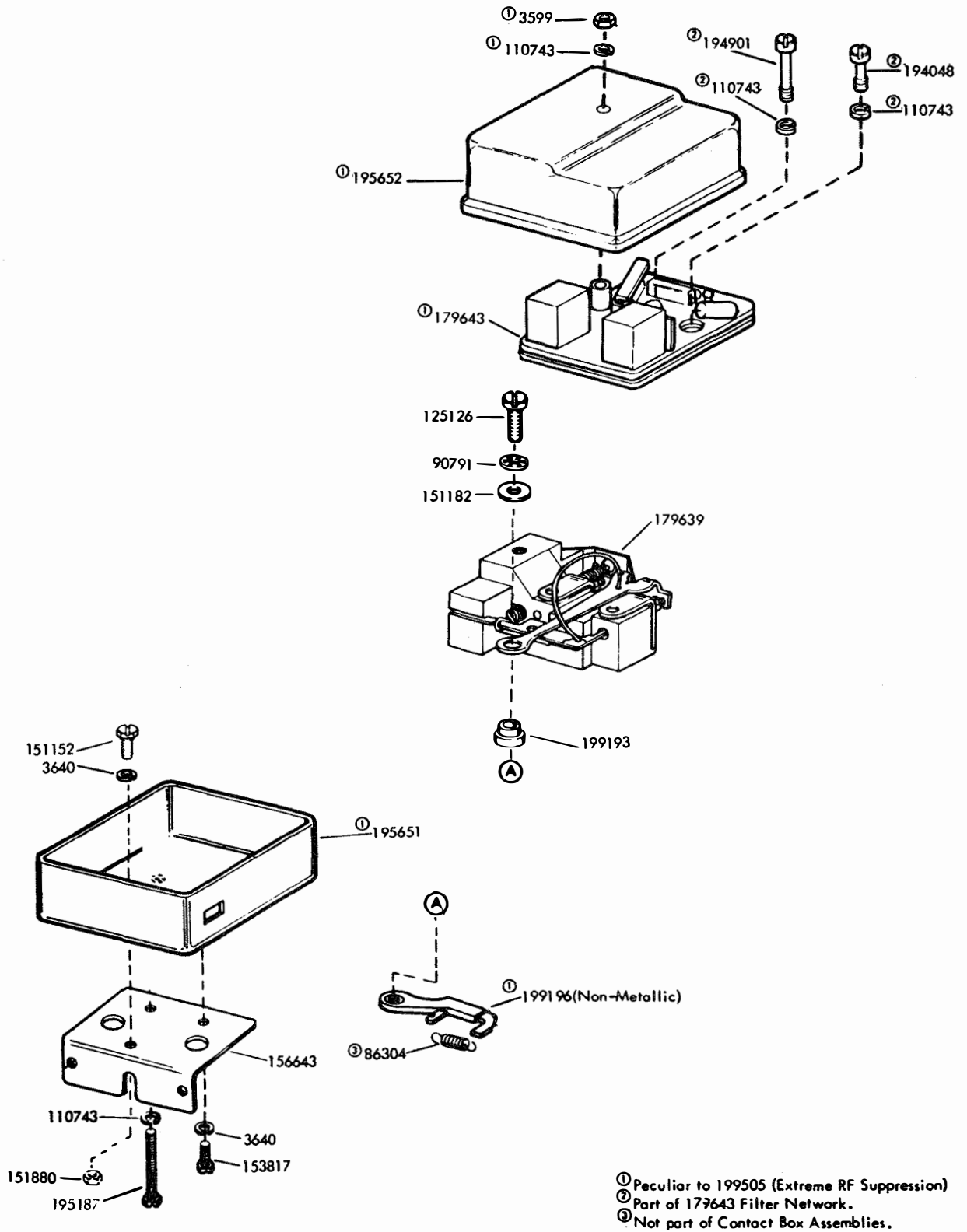


Figure 7-175. Contact Box Assemblies 198610 (Low-Level Keyer) and 199505 (Extreme RF Suppression)

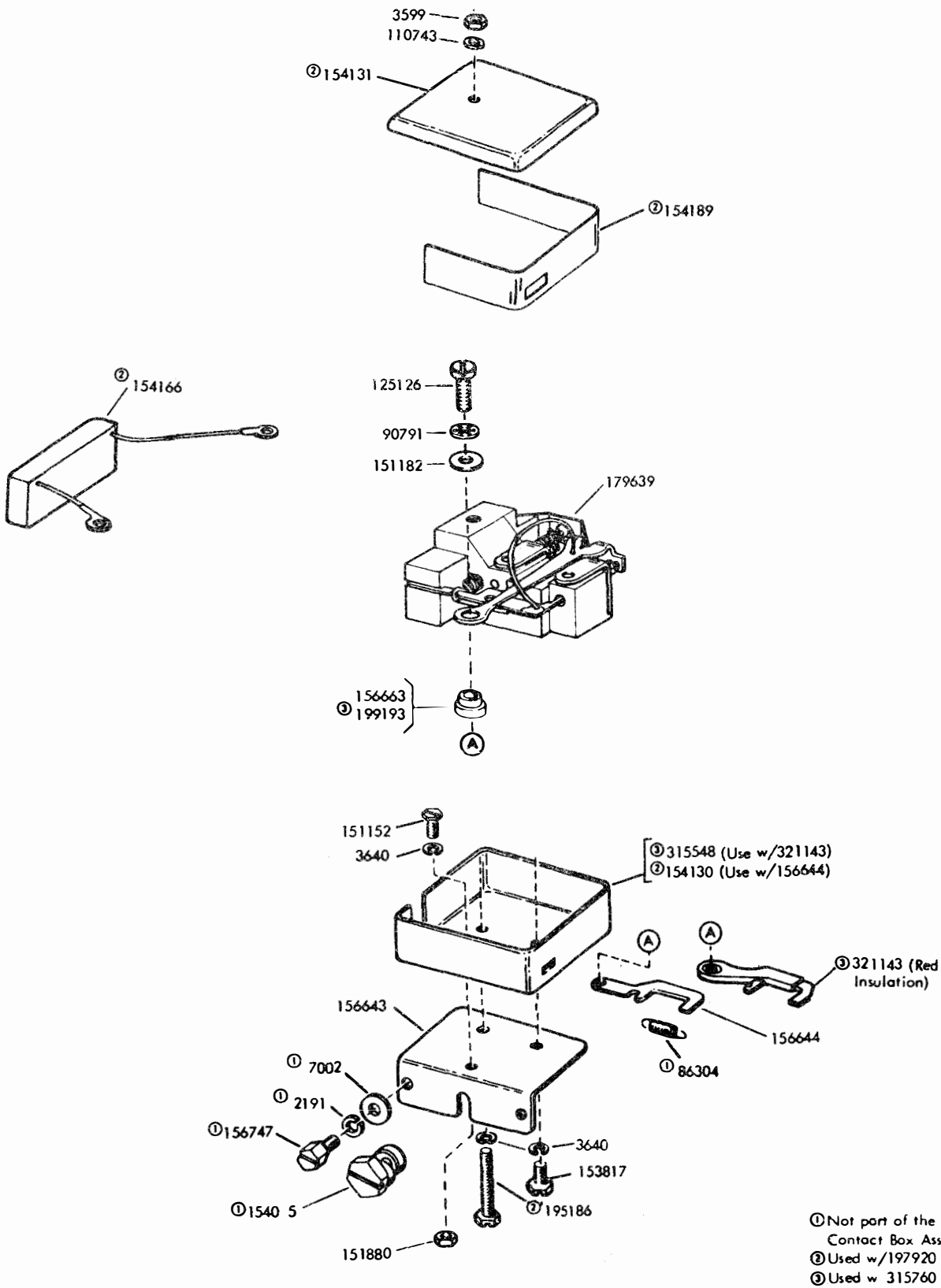


Figure 7-176. Contact Box Assemblies 192600 (Neutral Transmission), 197920 (Neutral Transmission with Arc Suppression), 305008 (Polar Transmission), and 315760 (Polar Transmission with Insulated Drive)

CAMSHAFTS		
PART NO.	LEVEL	CODE
156836	5	7.42
160016	6	8.5
164285	5	7.0
173349	6	8.5
199482	8	11.0
194357	5	7.5
311538	5	6.6
194502 8-5 Level Converter		
194578 5-8 Level Converter		

② 199159 Driver } Mechanically coupled dual
 199160 Driven } Transmitter Distributor 5 level, 7.42 UC

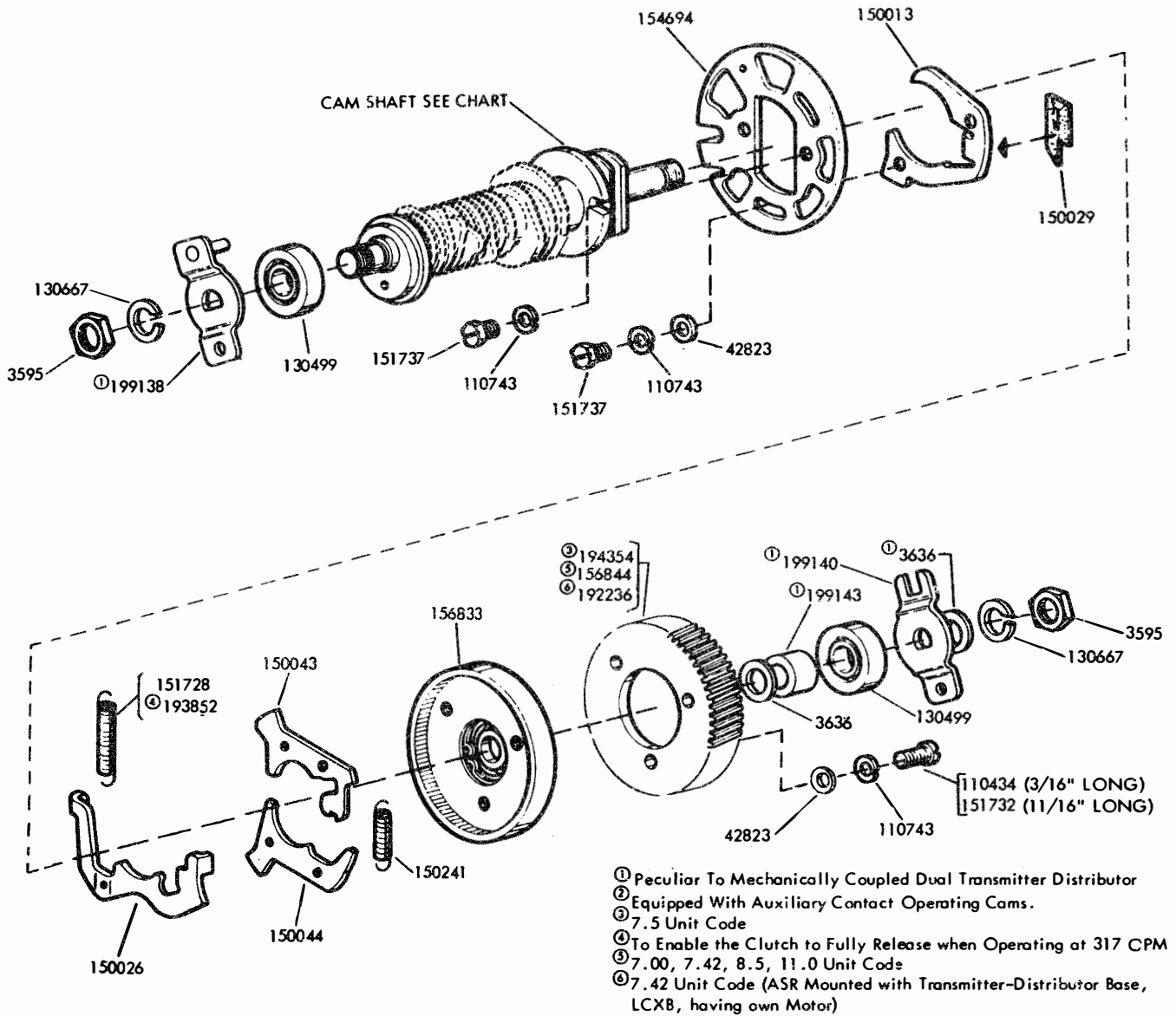


Figure 7-177. Main Shaft Mechanism, One-Cycle

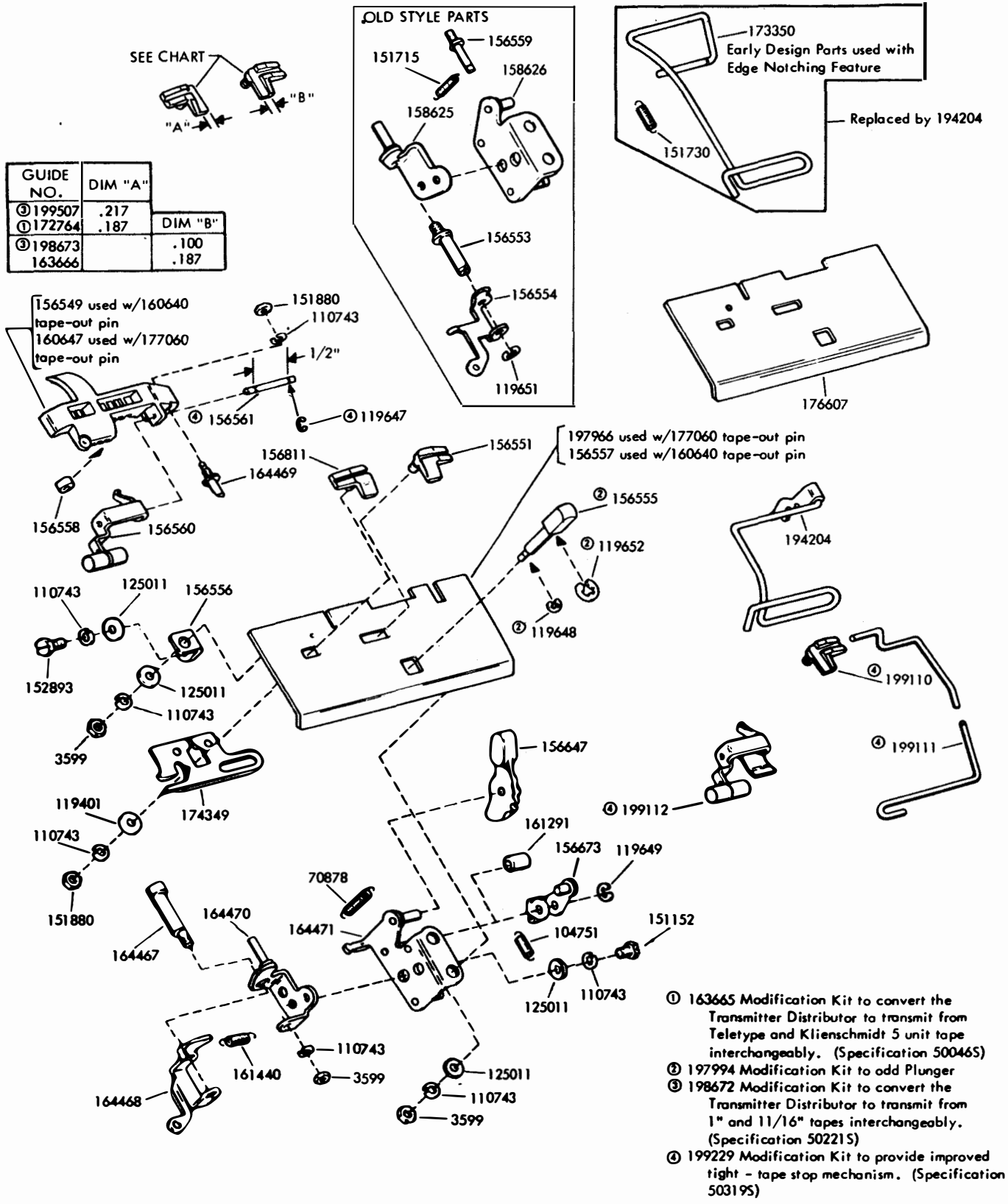


Figure 7-178. Tape Guideplate Mechanisms (Sheet 1 of 3)

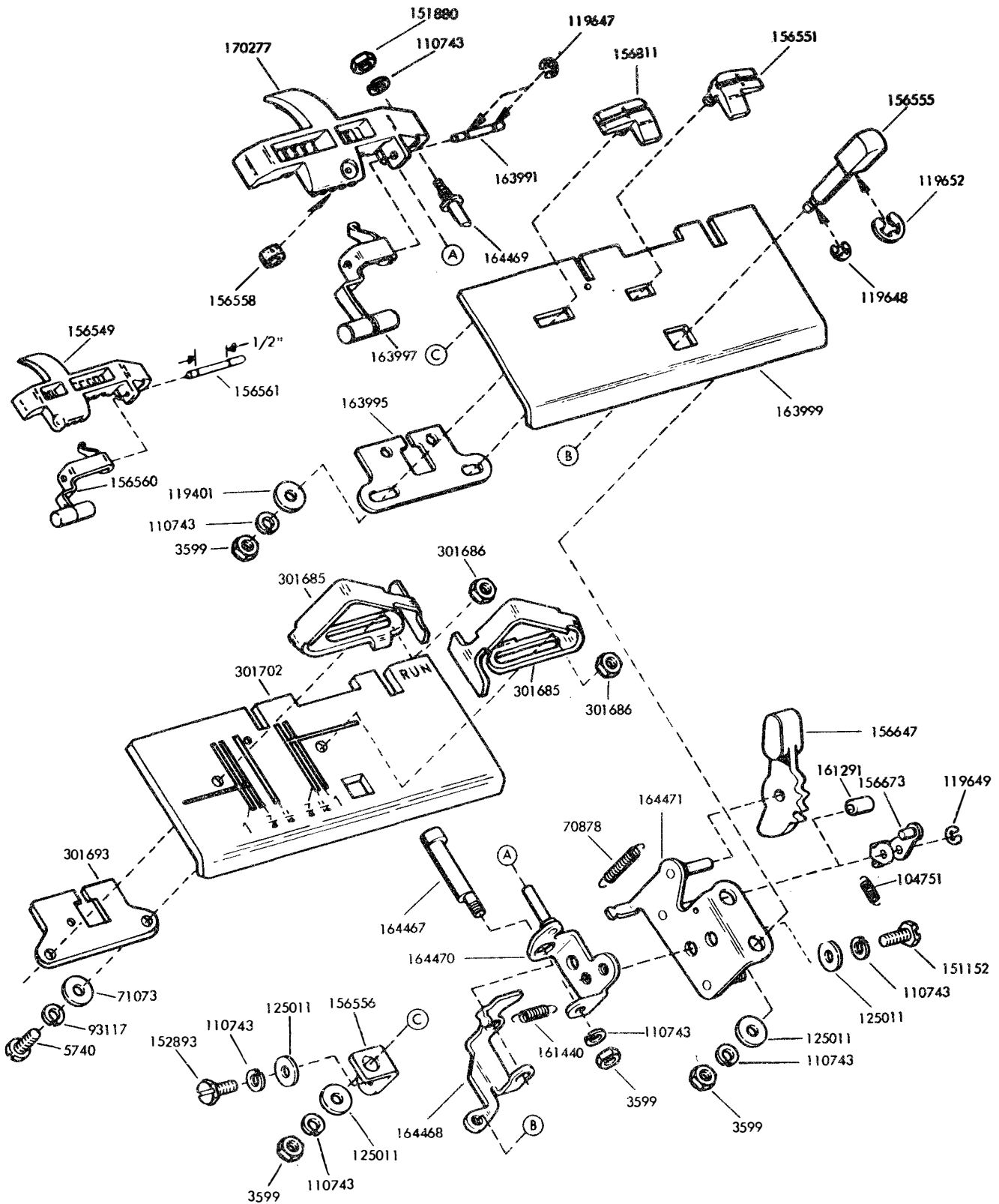
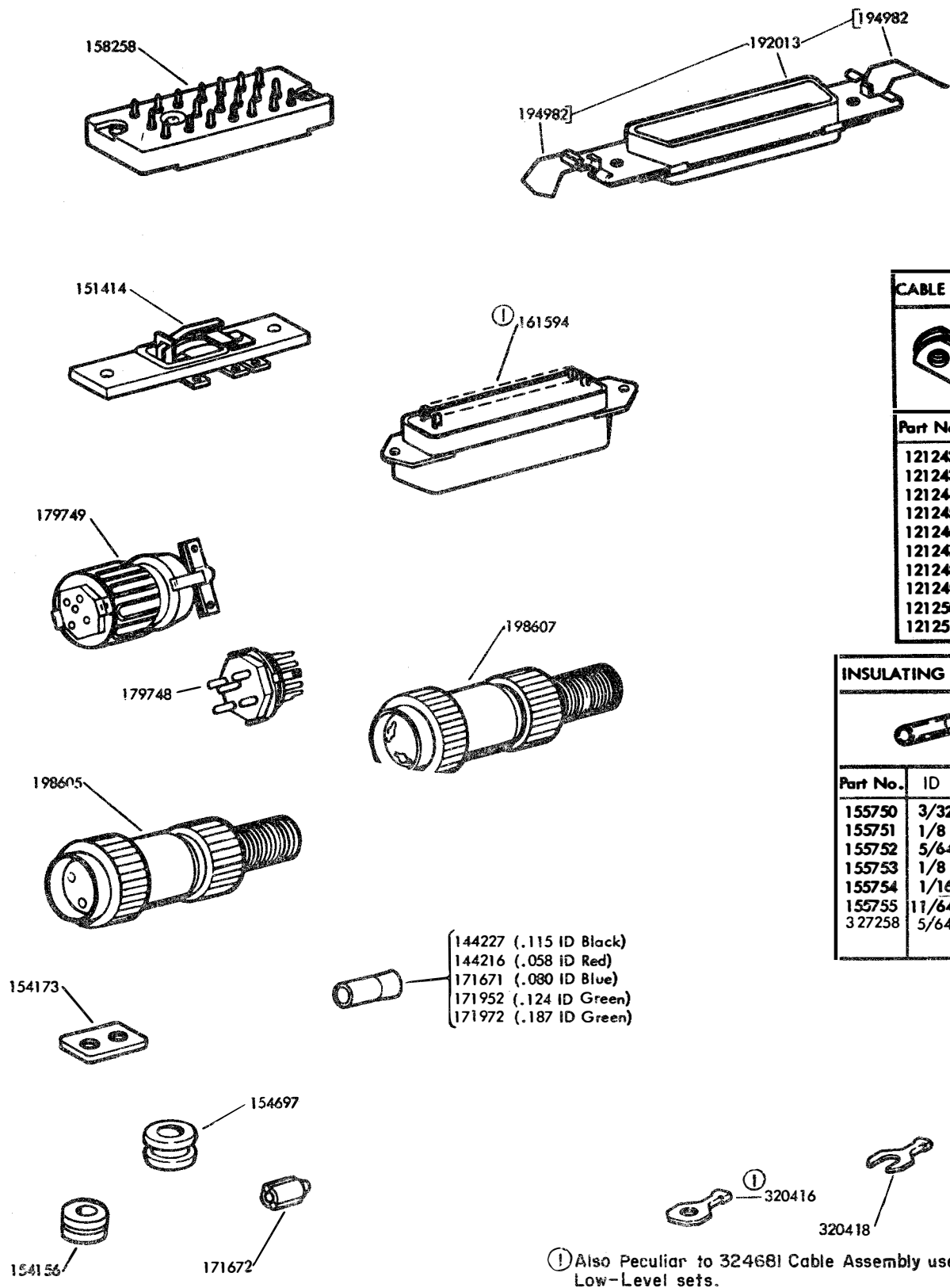




Figure 7-178. Tape Guideplate Mechanisms (Sheet 3 of 3)



CABLE CLAMPS	
	
Part No.	ID
121242	1/8
121243	3/16
121244	1/4
121245	5/16
121246	3/8
121247	7/16
121248	1/2
121249	5/8
121250	3/4
121251	1

INSULATING SLEEVES		
		
Part No.	ID	Length
155750	3/32	1/2"
155751	1/8	1"
155752	5/64	1/2"
155753	1/8	1/2"
155754	1/16	1/2"
155755	11/64	5/8"
327258	5/64	1/4"

- 144227 (.115 ID Black)
- 144216 (.058 ID Red)
- 171671 (.080 ID Blue)
- 171952 (.124 ID Green)
- 171972 (.187 ID Green)

Ⓛ Also Peculiar to 324681 Cable Assembly used on Low-Level sets.

Figure 7-179. Cable Components, Transmitter Distributor

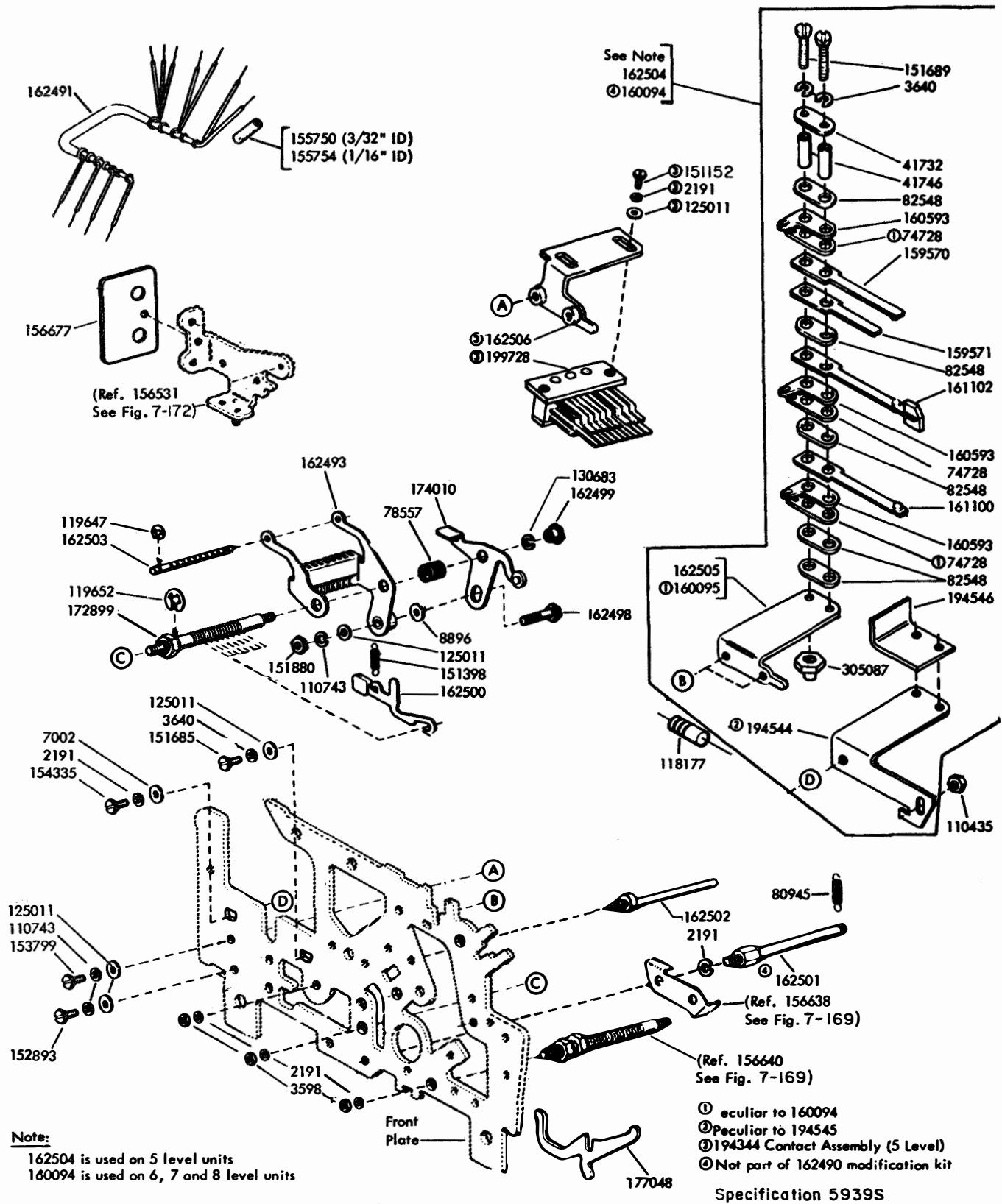


Figure 7-180. Modification Kit 162490 to Provide Multiple Wire Output on Transmitter Distributor

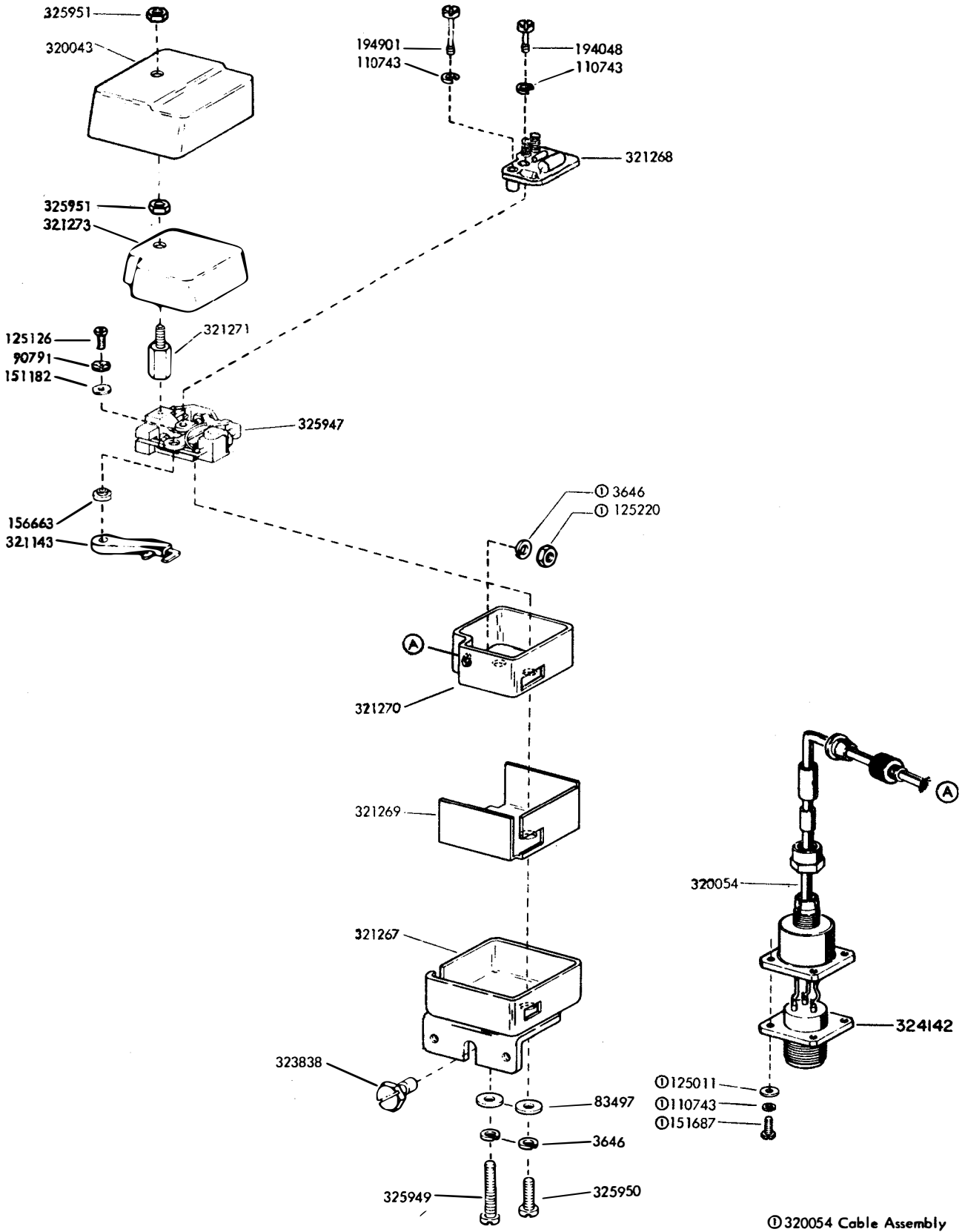


Figure 7-181. Contact Box Assembly 323646

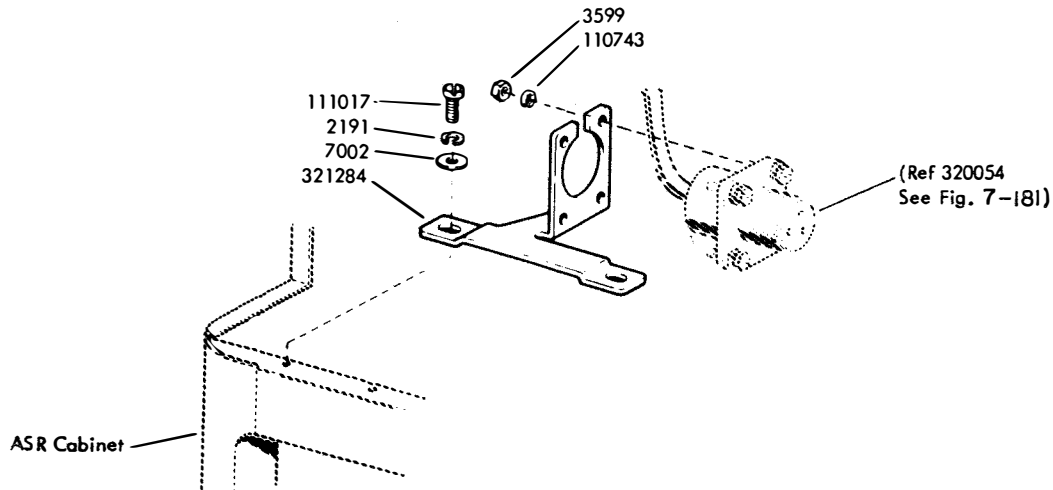


Figure 7-182. Mounting Components for Contact Box Cable, Low-Level Sets

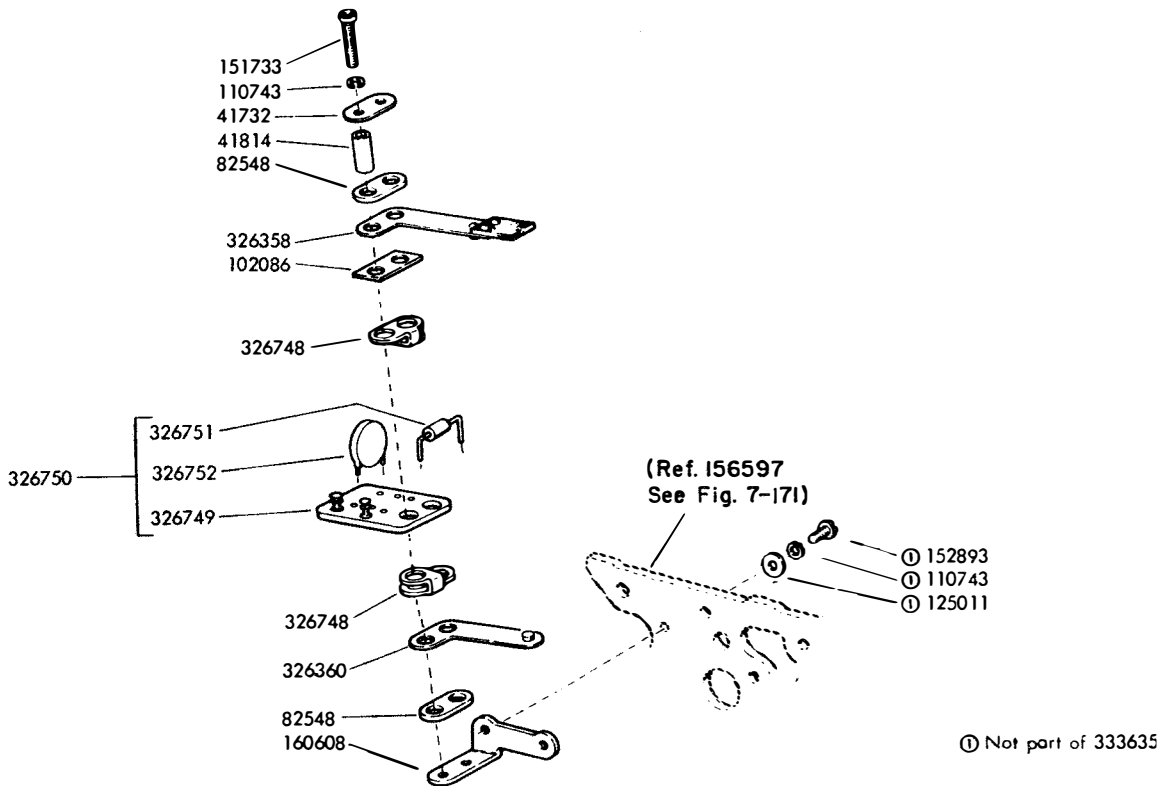


Figure 7-183. Start-Stop Contact Assembly 333635, Used on Low-Level Sets

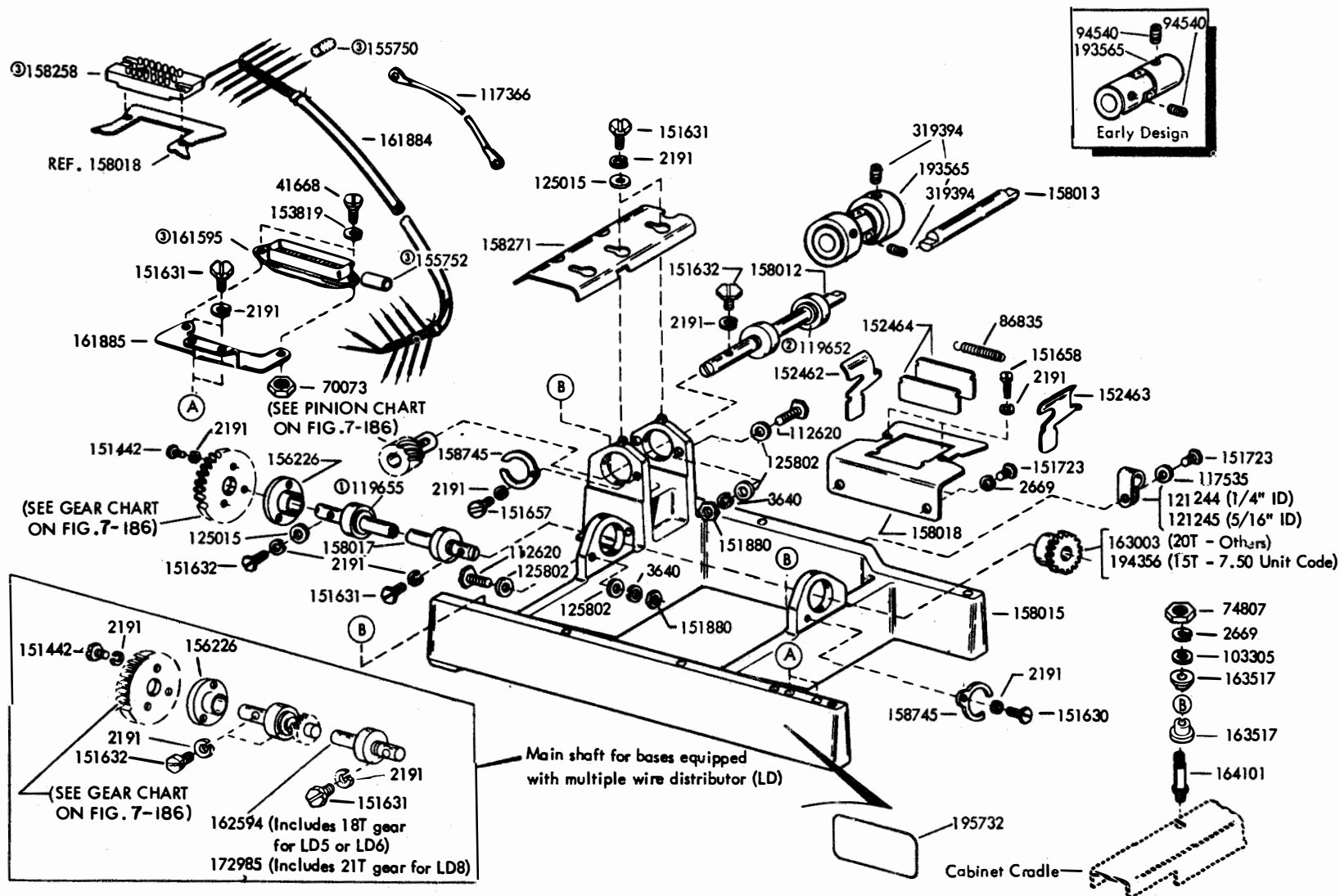
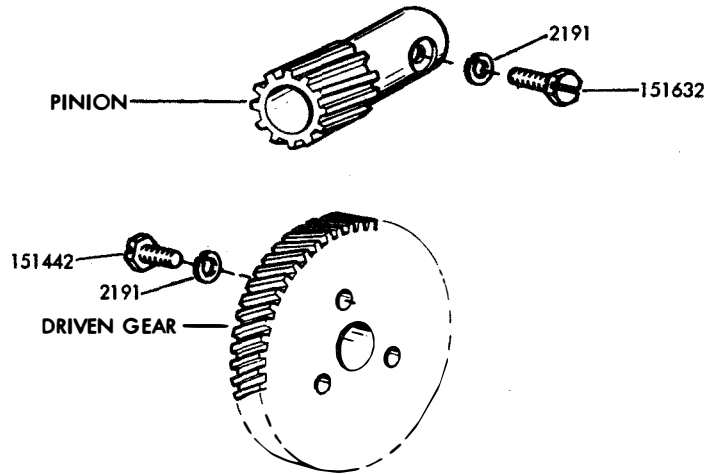


Figure 7-184. Transmitter Distributor Base, Used with LXD Transmitter Distributor Unit

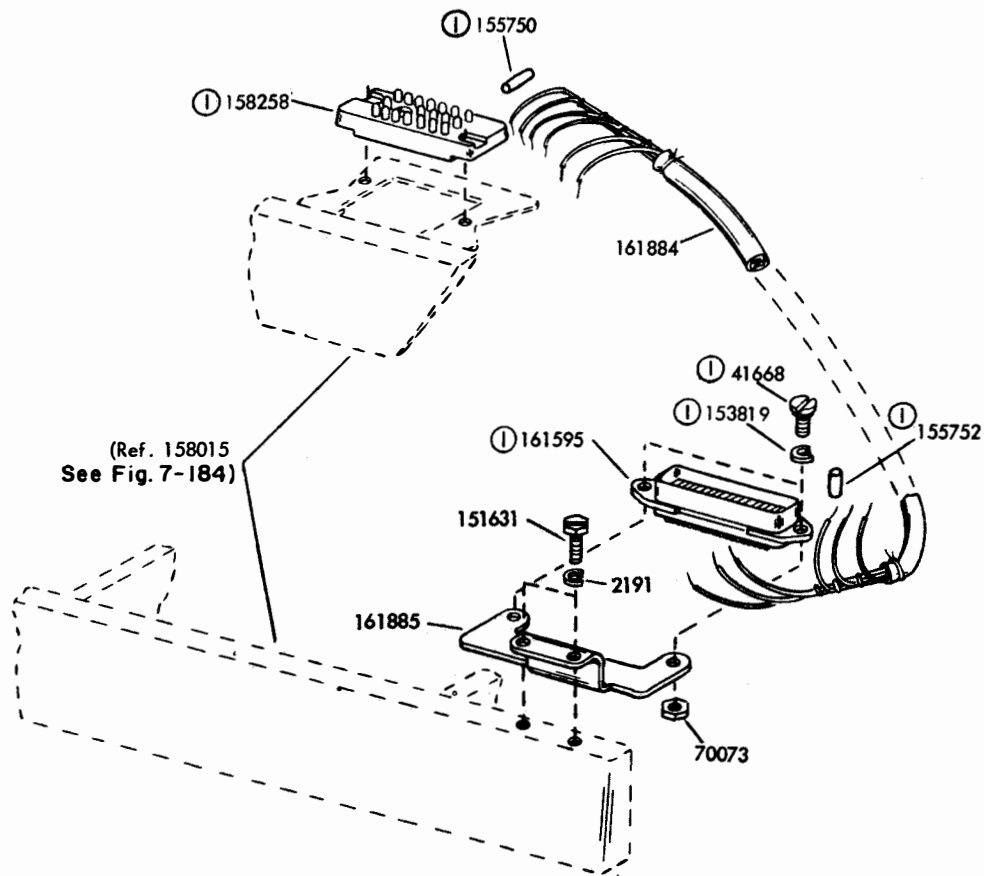


SINGLE TRANSMITTER-DISTRIBUTOR BASE GEAR SETS					
GEAR SET	DRIVEN GEAR	PINION	WPM	UNIT CODE	BAUD
159882	155997 (60T)	155996 (13T)	65	7.00	45.5
173776	173819 (60T)	173818 (13T)	65	7.00	45.5
161357	161332 (42T)	161333 (10T)	71	7.00	50
163499	163498 (63T)	163497 (15T)	71	7.00	50
198056	198058 (70T)	198057 (19T)	81	7.00	56.9
159883	155999 (34T)	155998 (12T)	106	7.00	74.2
163454	163453 (56T)	163452 (20T)	107	7.00	75
158029	158006 (44T)	158005 (9T)	60	7.42	45.5
161356	161330 (49T)	161331 (11T)	67	7.42	50
158028	158004 (47T)	158003 (12T)	75	7.42	56.8
158027	158001 (33T)	158002 (11T)	100	7.42-11.0	74.2-110
178775	178777 (56T)	178776 (17T)	61	7.50	45.5
178772	178774 (60T)	178773 (20T)	66	7.50	50
178769	178771 (46T)	178770 (23T)	100	7.50	75
① 305577	305570 (55T)	305569 (22T)	100	7.42	74.2
① 305578	305572 (52T)	305571 (14T)	67	7.42	50
① 305579	305574 (53T)	305573 (13T)	60	7.42	45.5

DUAL TRANSMITTER-DISTRIBUTOR BASE GEAR SETS					
GEAR SET	DRIVEN GEAR	PINION	WPM	UNIT CODE	BAUD
	199091 (56T)	199090 (20T)	107	7.00	75
	170190 (51T)	170189 (15T)	88	8.50	75
195146	195145 (49T)	195144 (11T)	67	7.42	50
	170297 (33T)	170293 (11T)	100	7.42-11.0	74.2-110

① Motor speed 3000 rpm (50 hertz operation), all others 3600 rpm (60 hertz operation)

Figure 7-186. Gearsets, Transmitter Distributor



Specification 5927S

① Part of 161884 Cable Assembly

Figure 7-187. Modification Kit 161833 to Convert an LCXB1 to an LCXB3 Transmitter Base

SYNCHRONOUS MOTOR UNITS

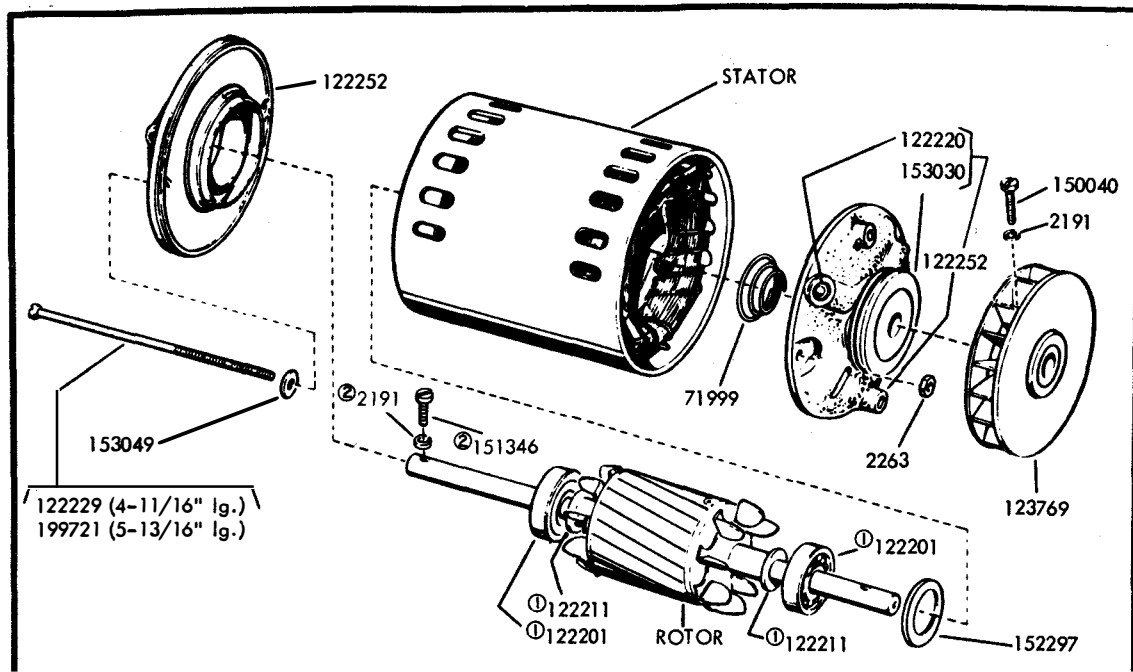
Teletype Code	Motor Assembly	Motor Bracket	Mounting Plate	Thermostatic Switch	Fixed Capacitor	Spring or Clamp	Relay	Relay Insulator	Spring or Clamp	Cable Assembly	Jumper
LMU3	151795	305661	305660	122249	122245	305658	151923	305659	305658	151927	96264R (5" lg. Red)
LMU12	159739	305661	305660	160304	160299	305658	160303	305659	305658	151927	96264R (5" lg. Red)
LMU38	151795	305661	305660	334877	122245	305658	151923	305659	305658	151927	96264R (5" lg. Red)
LMU50	199718	304538	151920	307281	304793	151922	304792		304537	151927	312573 (6" lg. Red w/82474 Terminal) 312574 (6" lg. Black w/82474 Terminal)

Figure 7-188. Synchronous Motor Cross-Reference

SERIES MOTOR UNITS

Teletype Code	Motor Assembly	Motor Bracket	Container	Lid	Nipple	Capacitor	Resistor	Electrical Noise Suppressor	Cable Assembly	Jumper
LMU39	161577	152046	179420	179424	152067	161579	179103	161578	152059	91228 (2-1/2" lg. w/320420 and 320422 Terminals)
LMU41	150701	152046	179420	179424	152067	161579	179103	161578	152059	91228 (2-1/2" lg. w/320420 and 320422 Terminals)

Figure 7-189. Series Motor Cross-Reference



SYNCHRONOUS MOTOR ASSEMBLY - STANDARD OR HEAVY DUTY

SYNCHRONOUS MOTORS-Standars or Heavy Duty				
DUTY	MOTOR ASSEMBLY	STATOR	ROTOR	MOTOR DATA
Standard	151795	122251	128874	AC Synchronous, 1/20 HP, 115V: 50/60 Hertz 3000/3600 RPM
Heavy	159739	160306	160305	AC Synchronous, 1/12HP, 115V: 60Hertz, 3600 RPM
Heavy	199718	199720	199719	AC Synchronous, 1/12HP, 115V: 50Hertz, 3000RPM

- ① Common to all rotors
- ② Not part of motor assemblies

Figure 7-190. Synchronous Motor Assemblies, Used on LMU3, LMU12, LMU38 and LMU50

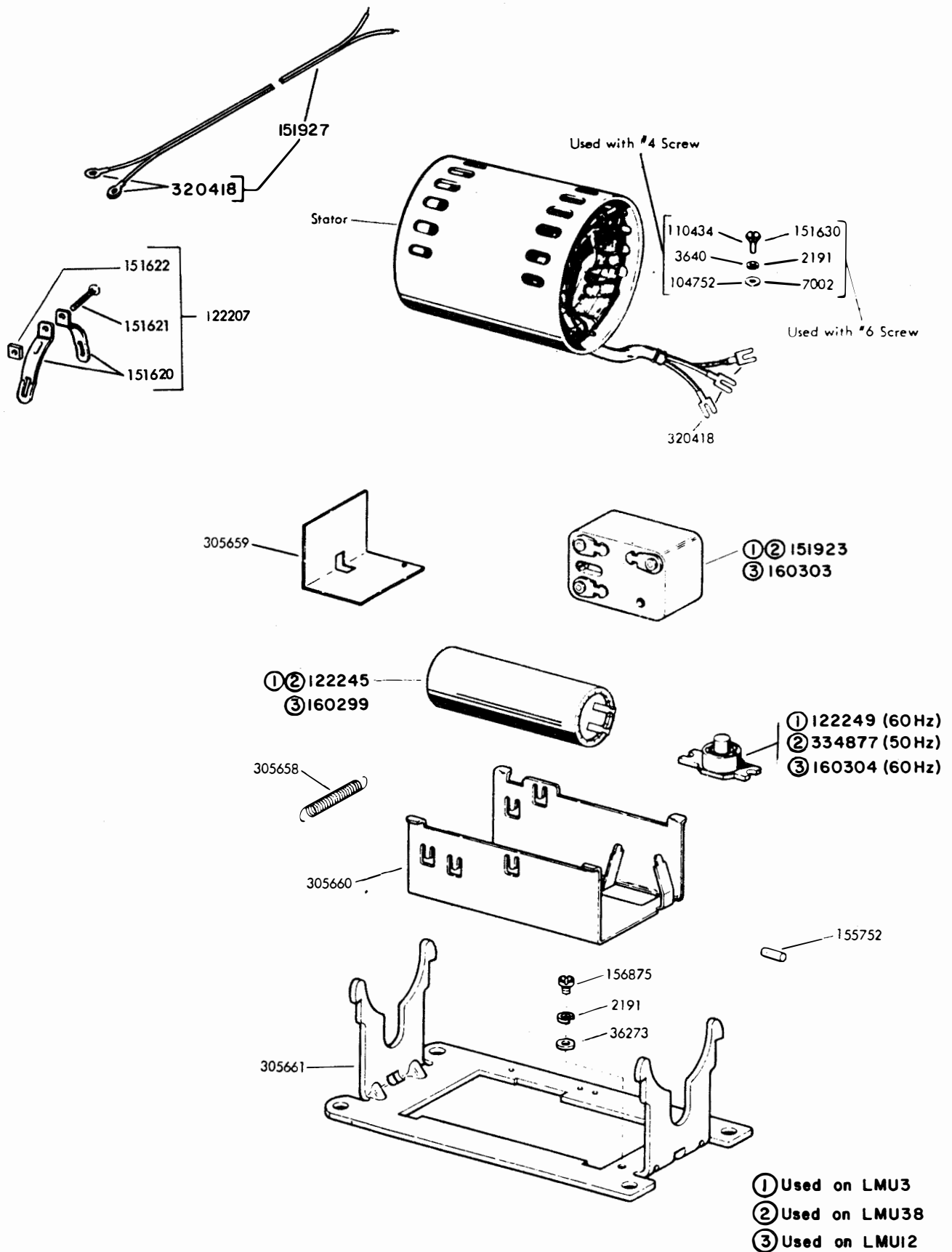


Figure 7-191. Relay and Capacitor Mounting (Synchronous), Used on LMU3, LMU12, and LMU38

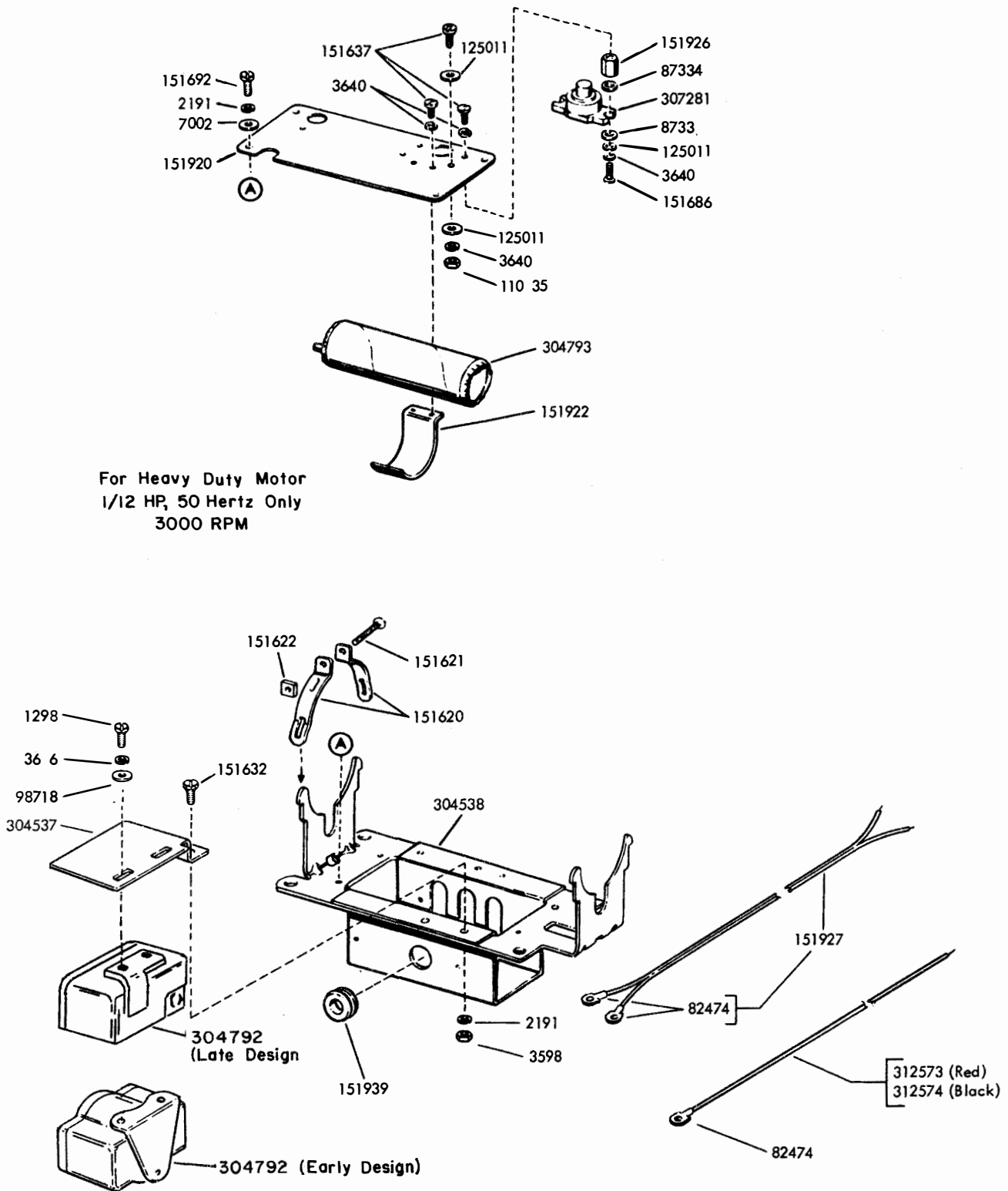
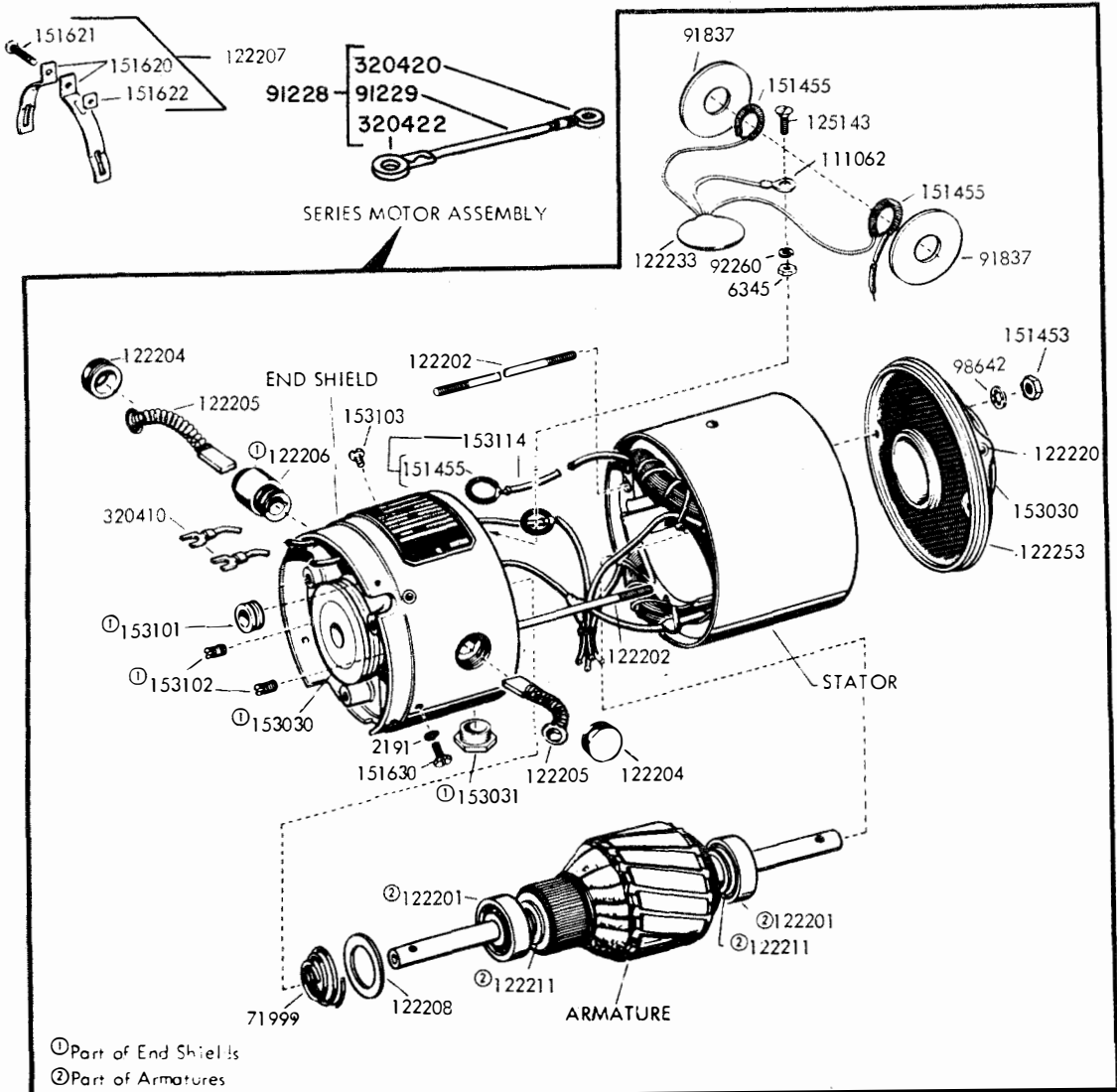
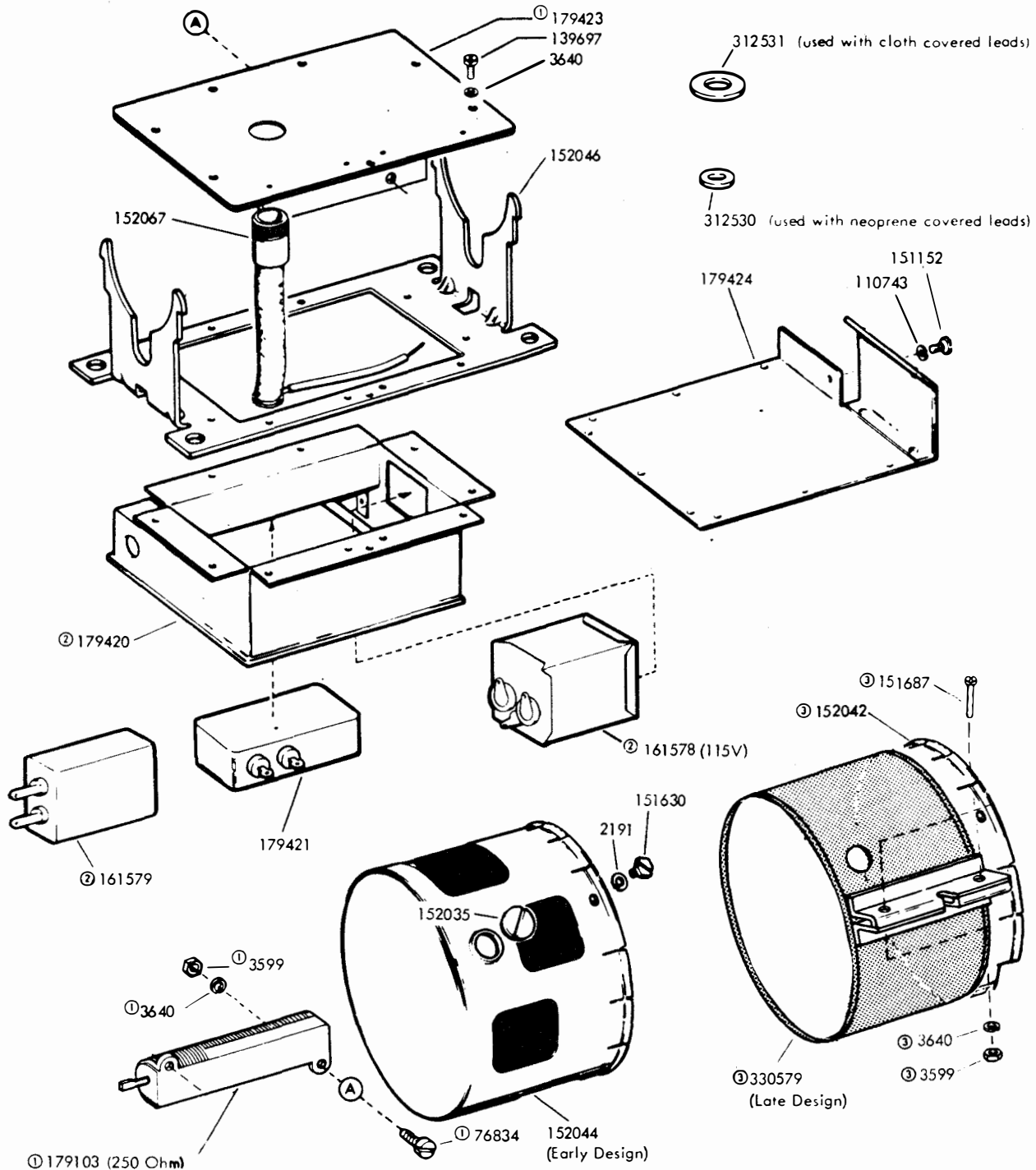


Figure 7-192. Relay and Capacitor Mounting (Synchronous), Used on LMU50



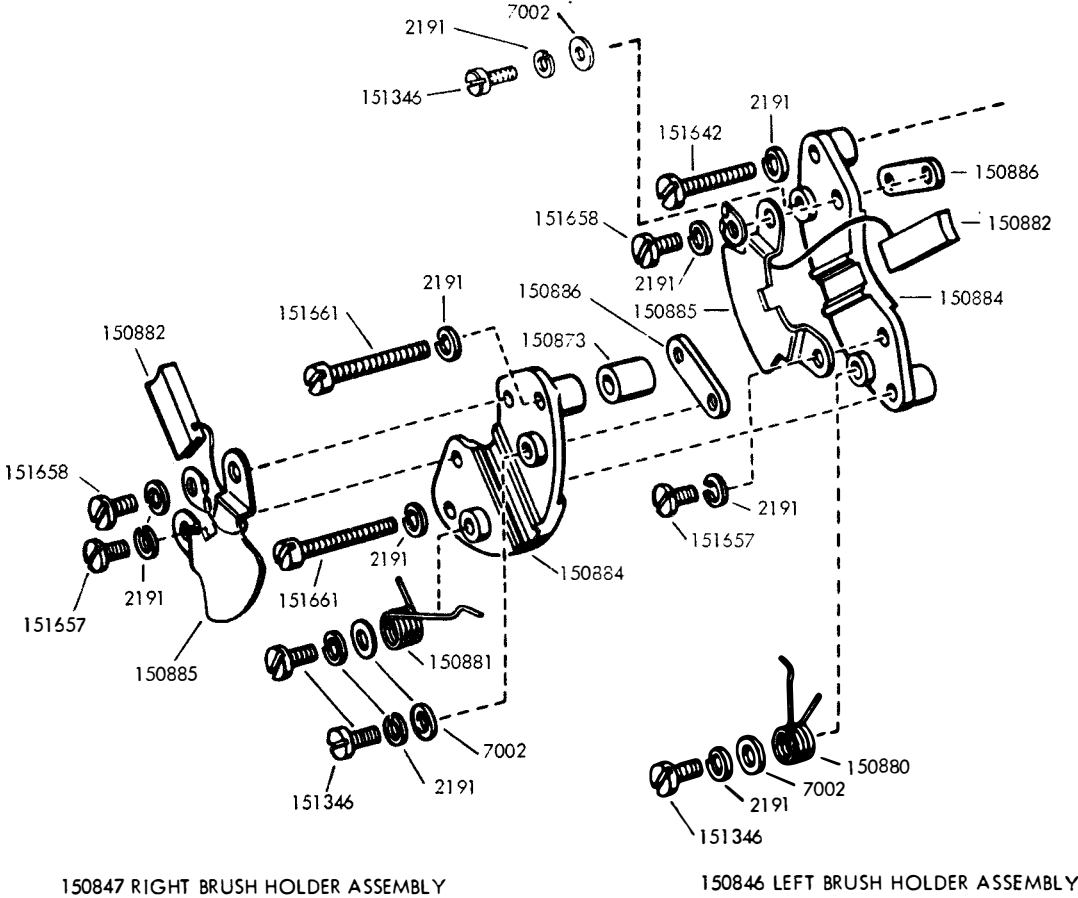
SERIES MOTORS STANDARD OR HEAVY DUTY					
	MOTOR ASSEMBLY	STATOR	ARM-ATURE	END SHIELD	MOTOR DATA
Standard	150701	122221	122210	122200	Series, 1/20 HP, 115V: 60 Hertz, 3600 RPM
Heavy	161577	161576	161575	122200	Series, 1/15 HP, 115V: 60 Hertz, 3600 RPM

Figure 7-193. Series Motor Assemblies, Used on LMU39 and LMU41



- ① 198691 Plate w/Resistor Assembly
- ② 198692 Container Assembly
- ③ 152044 Cover Assembly

Figure 7-194. Series Motor Mounting Parts with RF Suppression, Used on LMU39 and LMU41



150847 RIGHT BRUSH HOLDER ASSEMBLY

150846 LEFT BRUSH HOLDER ASSEMBLY

Figure 7-195. Brush Assemblies

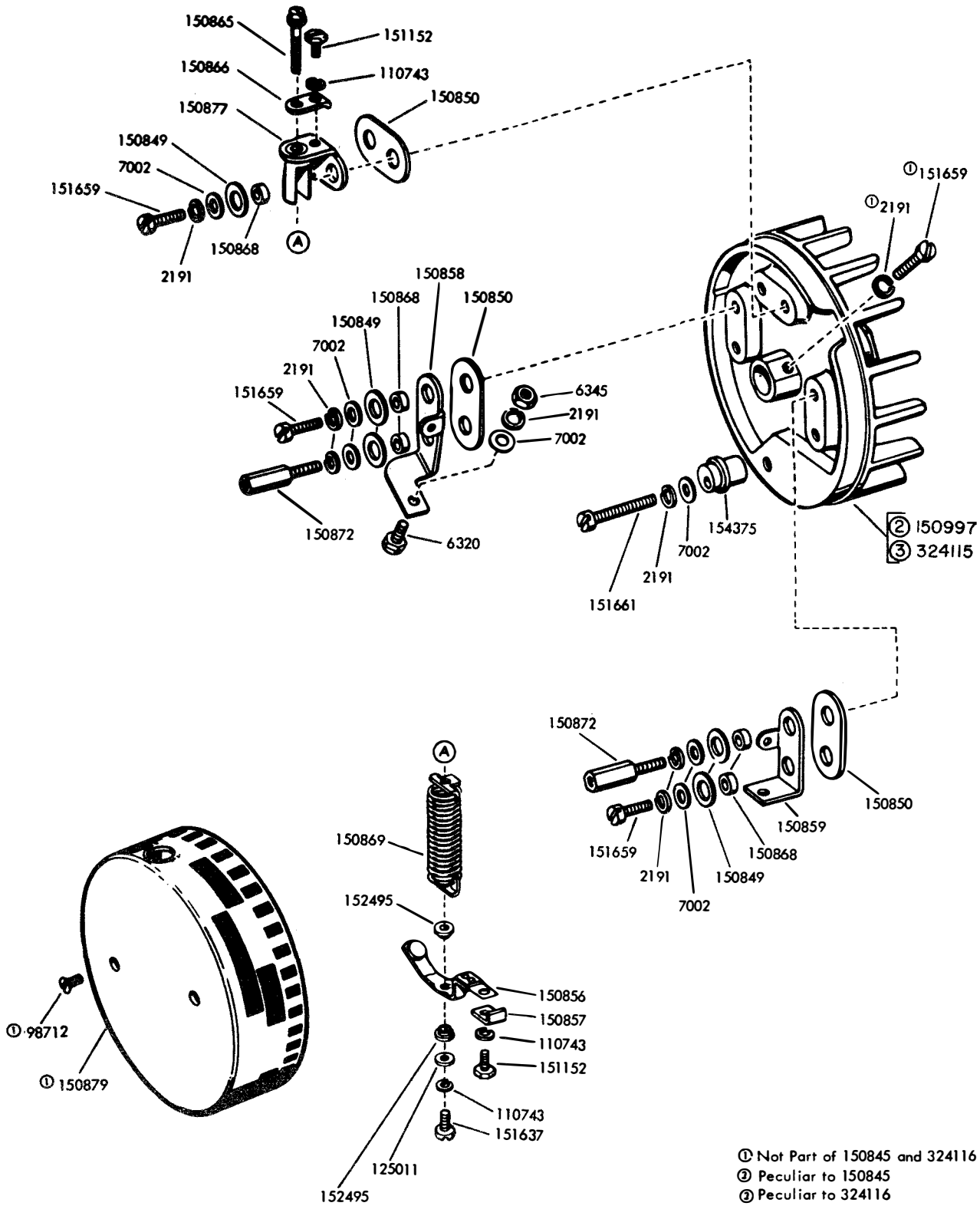


Figure 7-196. Governor Assemblies 150845 and 324116

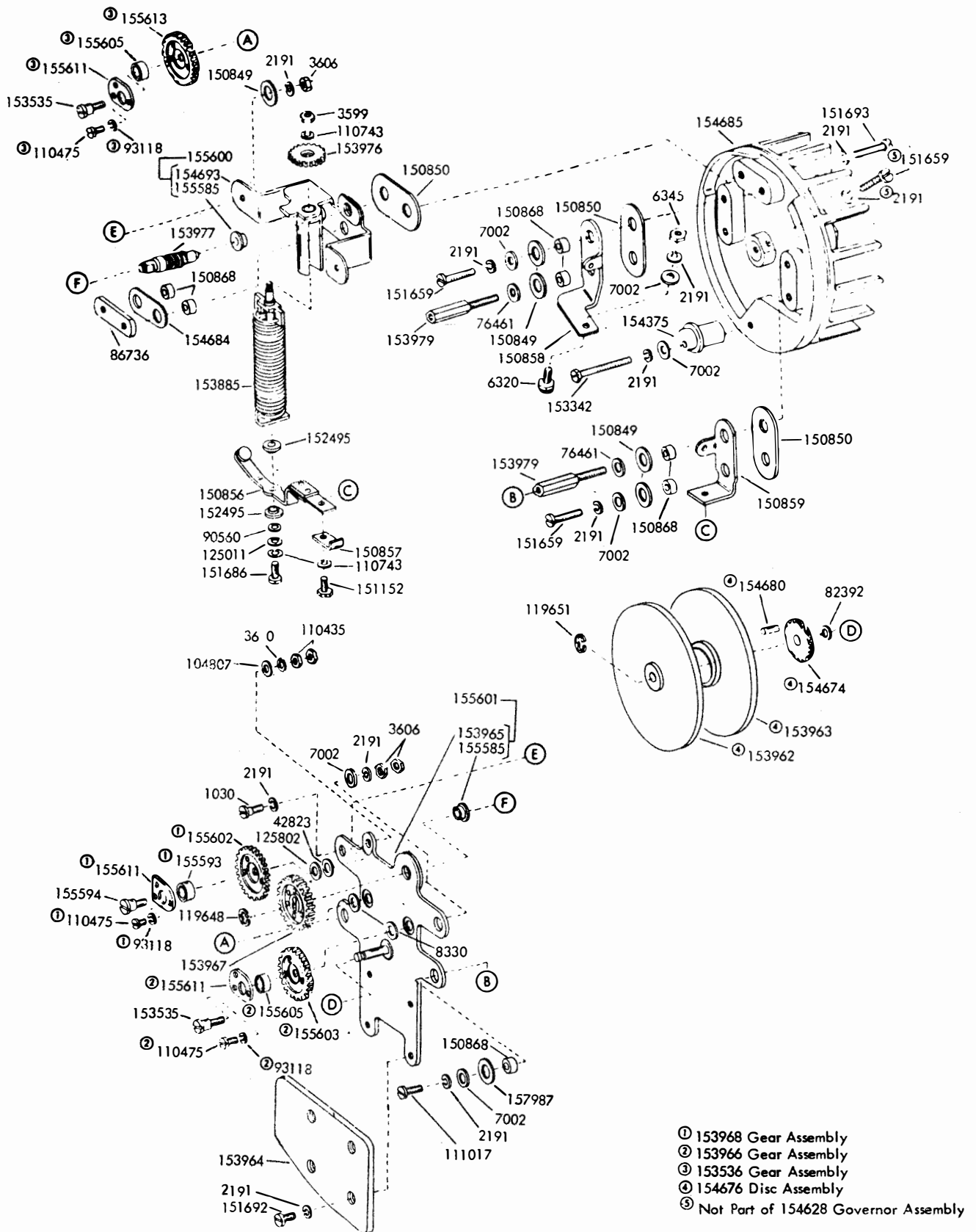
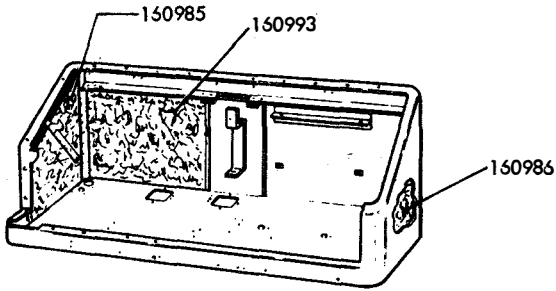
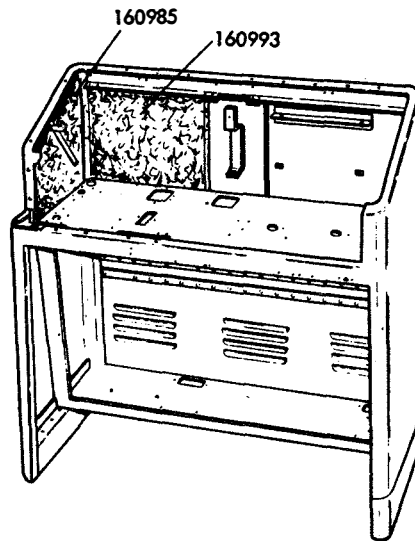


Figure 7-197. Governor Assembly 154628



TYPICAL TABLE MODEL CABINET

CABINET TYPES	
General Purpose	Special Purpose
Accommodates Fixed Head Transmitters & Transmitter Distributors	Accommodates Pivoted Head Transmitter Distributors
<ul style="list-style-type: none"> ● LX ● LXD ● LBXD 	<ul style="list-style-type: none"> ● LAXD ● LCXD ● LFXD



TYPICAL FLOOR MODEL CABINET

Figure 7-198. Cabinets

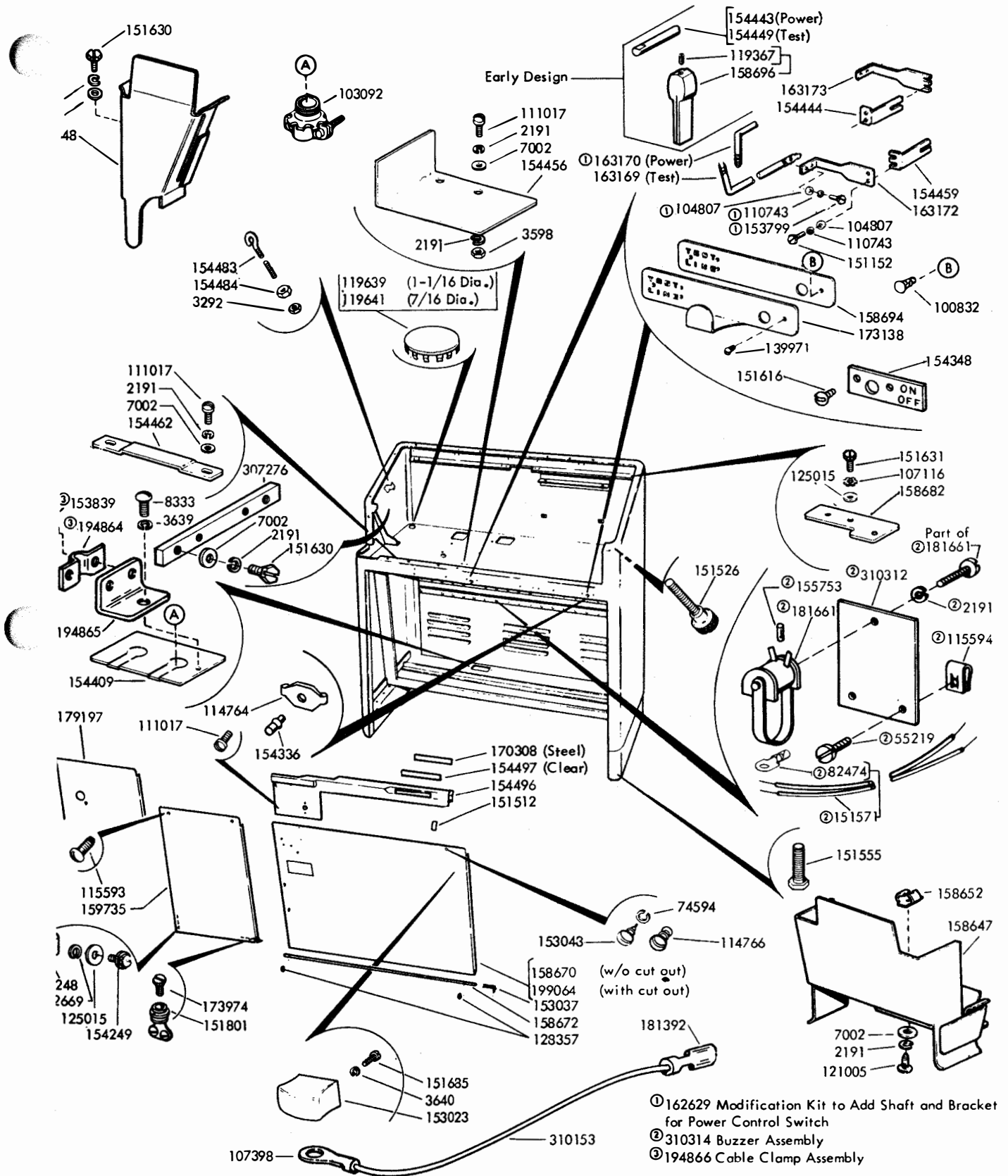
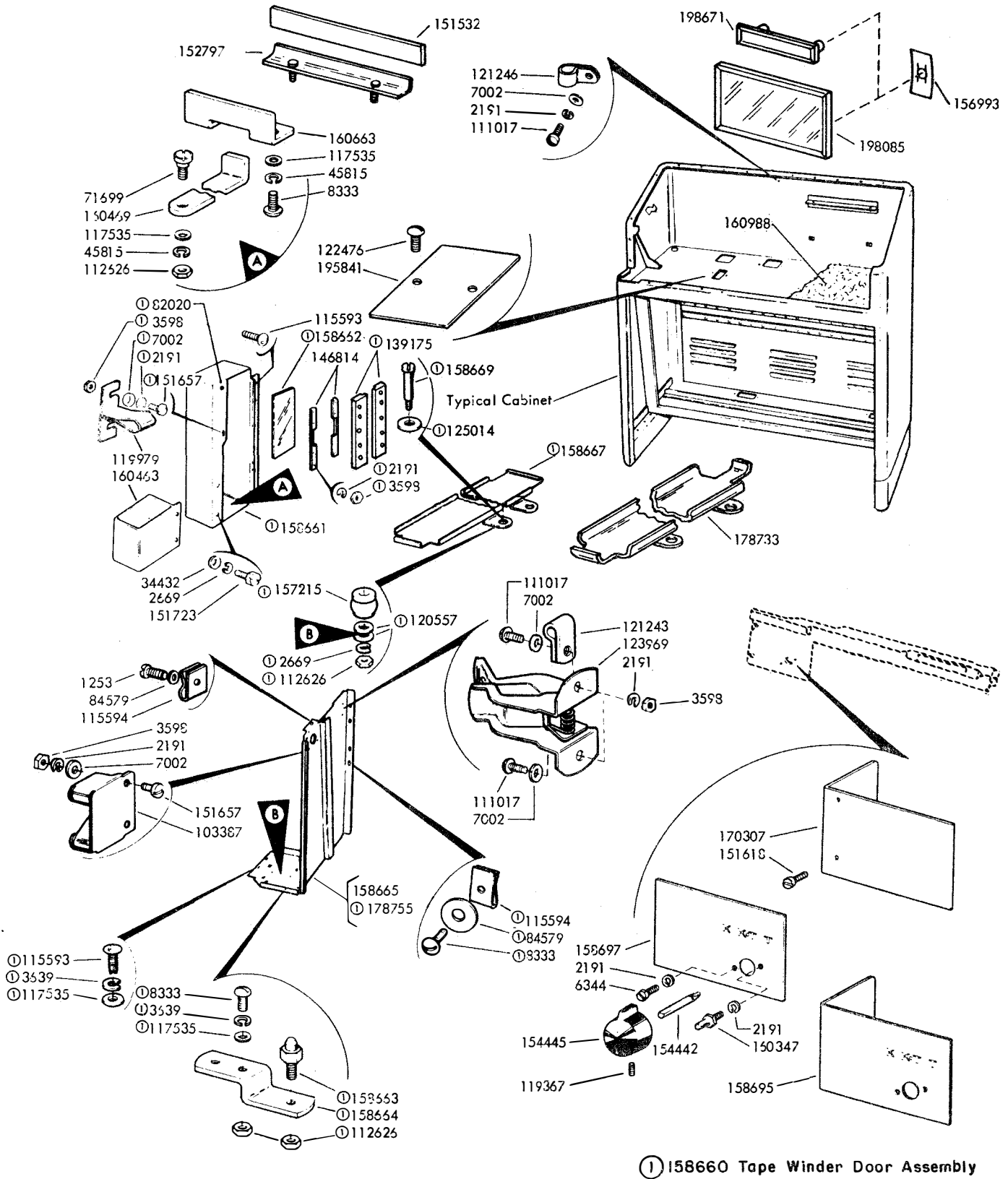
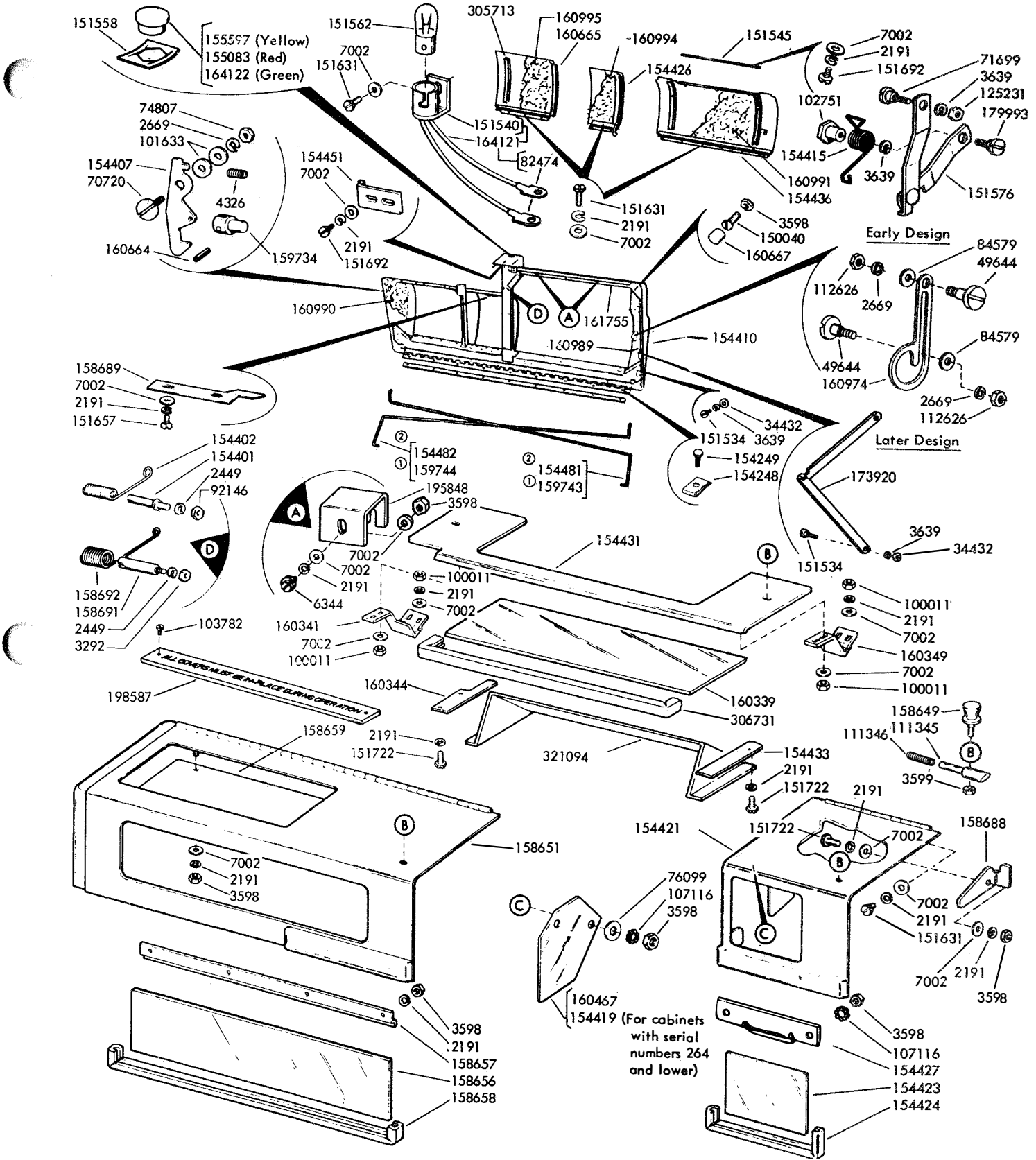


Figure 7-199. Cabinet Base Parts (Sheet 1 of 2)



① 158660 Tape Winder Door Assembly

Figure 7-199. Cabinet Base Parts (Sheet 2 of 2)



- ① Peculiar to Special Purpose Cabinets
- ② Peculiar to General Purpose Cabinets

Figure 7-200. Cabinet Dome, Latches and Doors

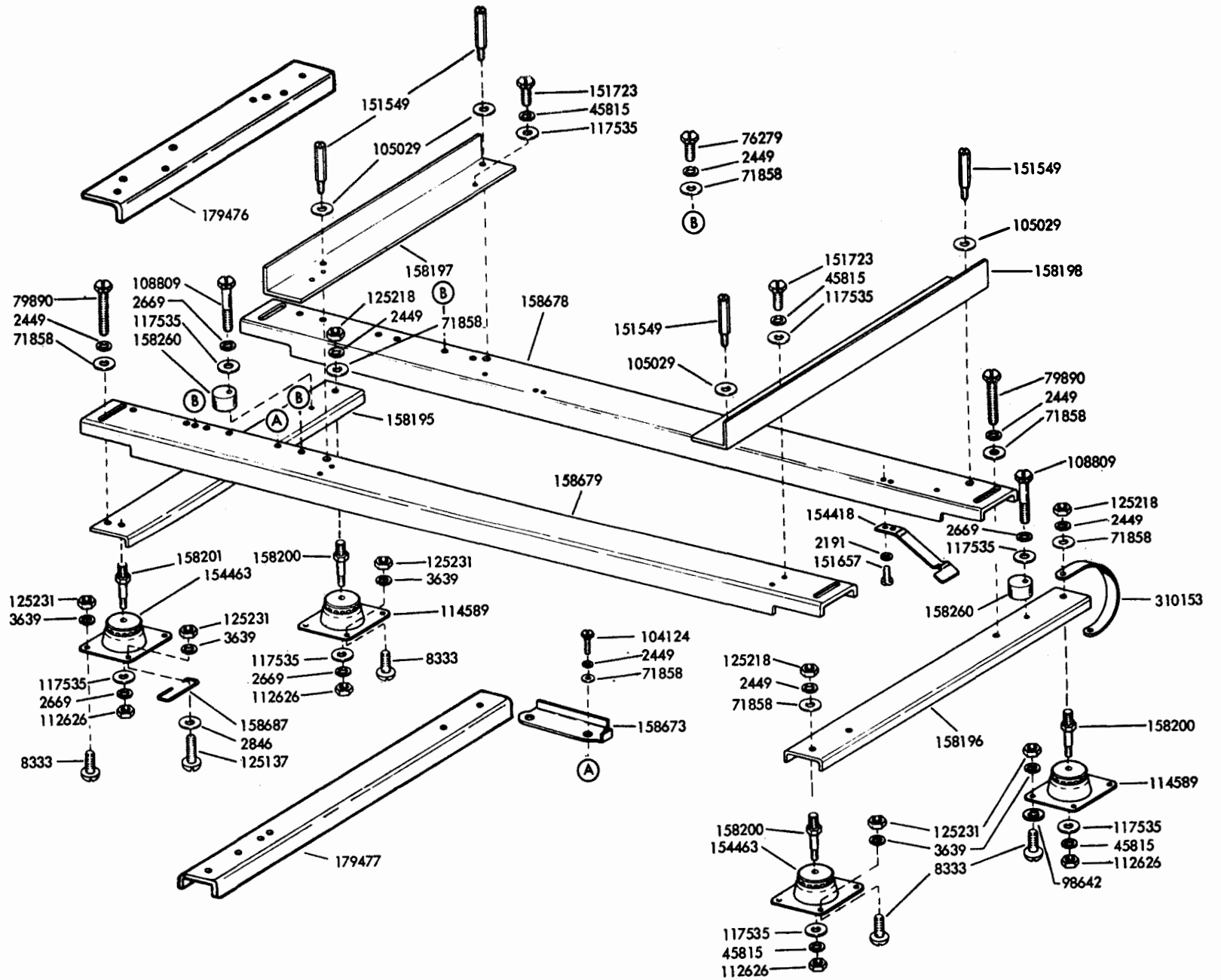


Figure 7-201. Cradle Assembly

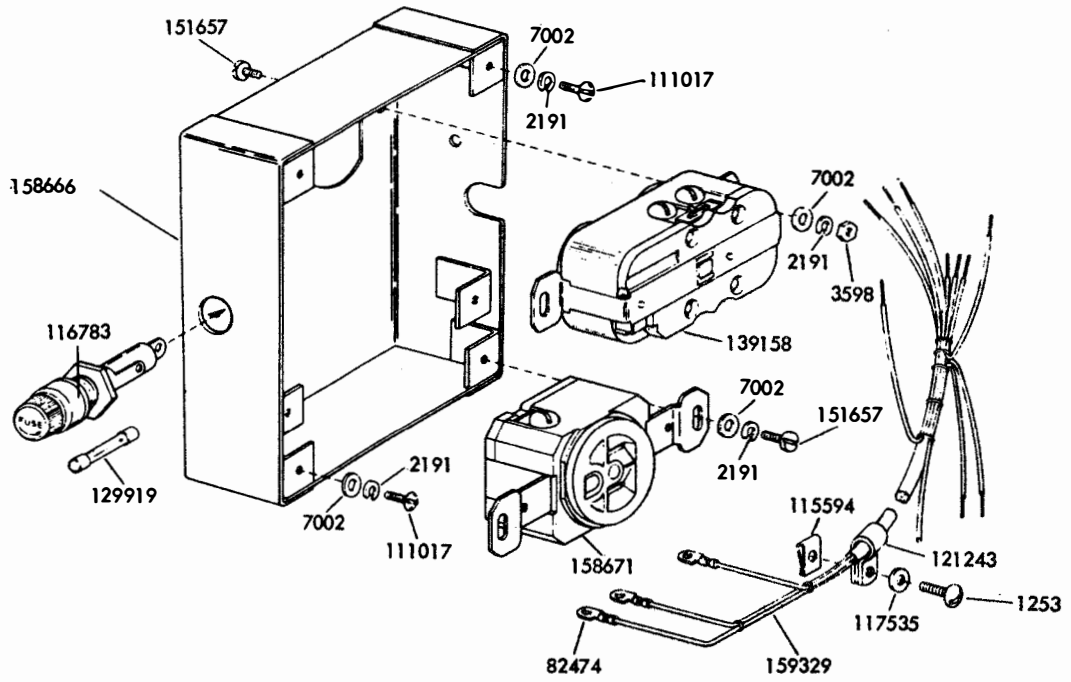


Figure 7-202. Receptacle Connectors and Outlet Box

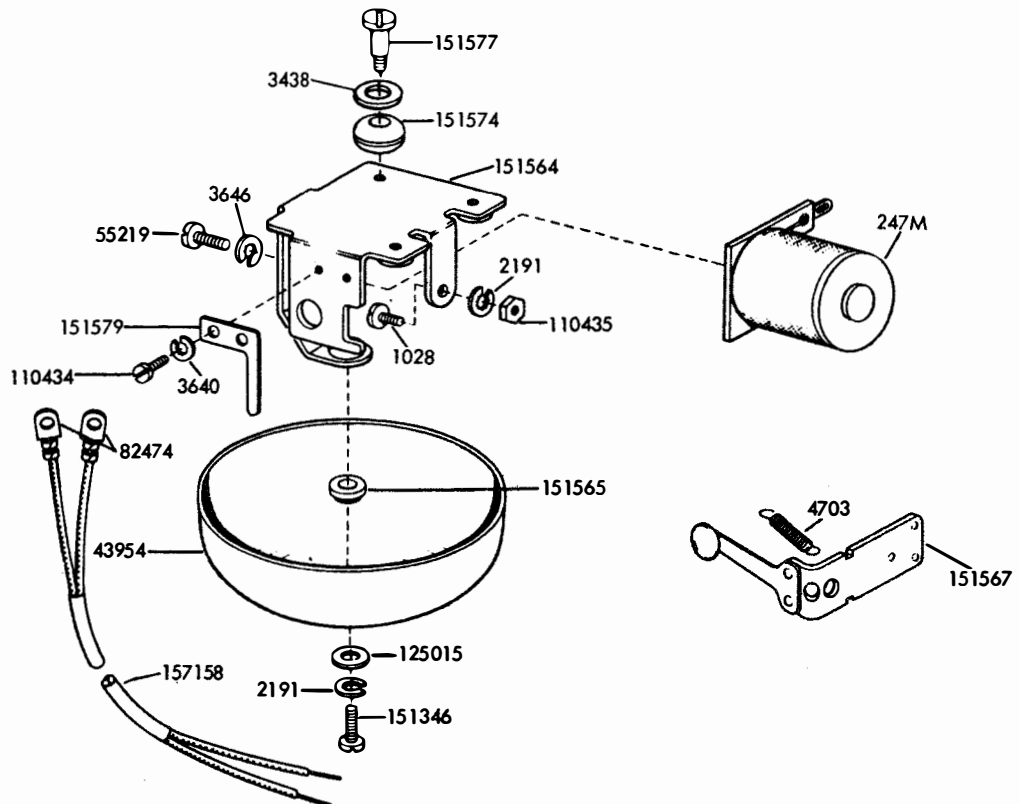


Figure 7-203. Signal Bell Assembly 151560

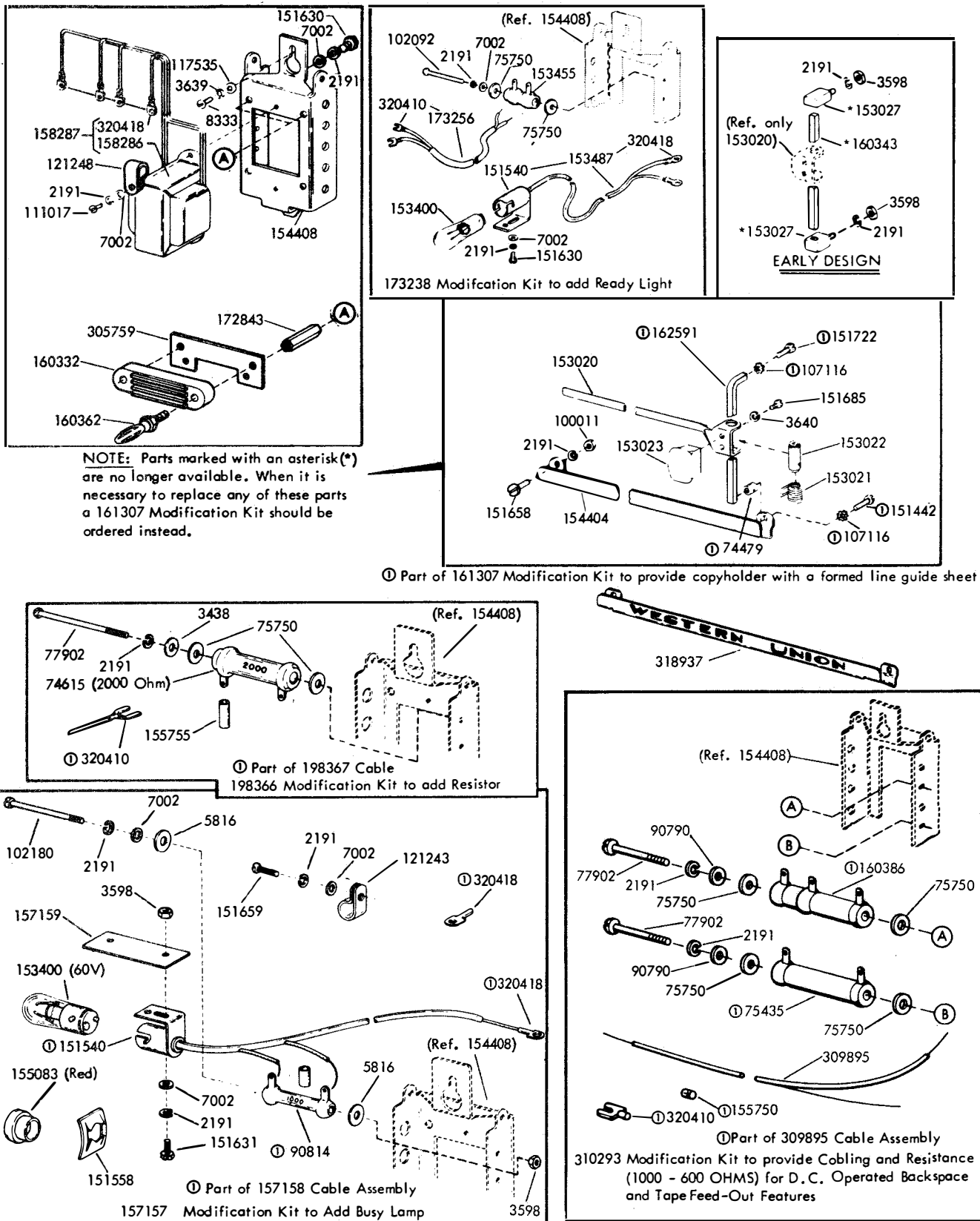


Figure 7-204. Modification Kits to Add Copyholder, Ready Light, Busy Lamp and Resistance to Cabinets

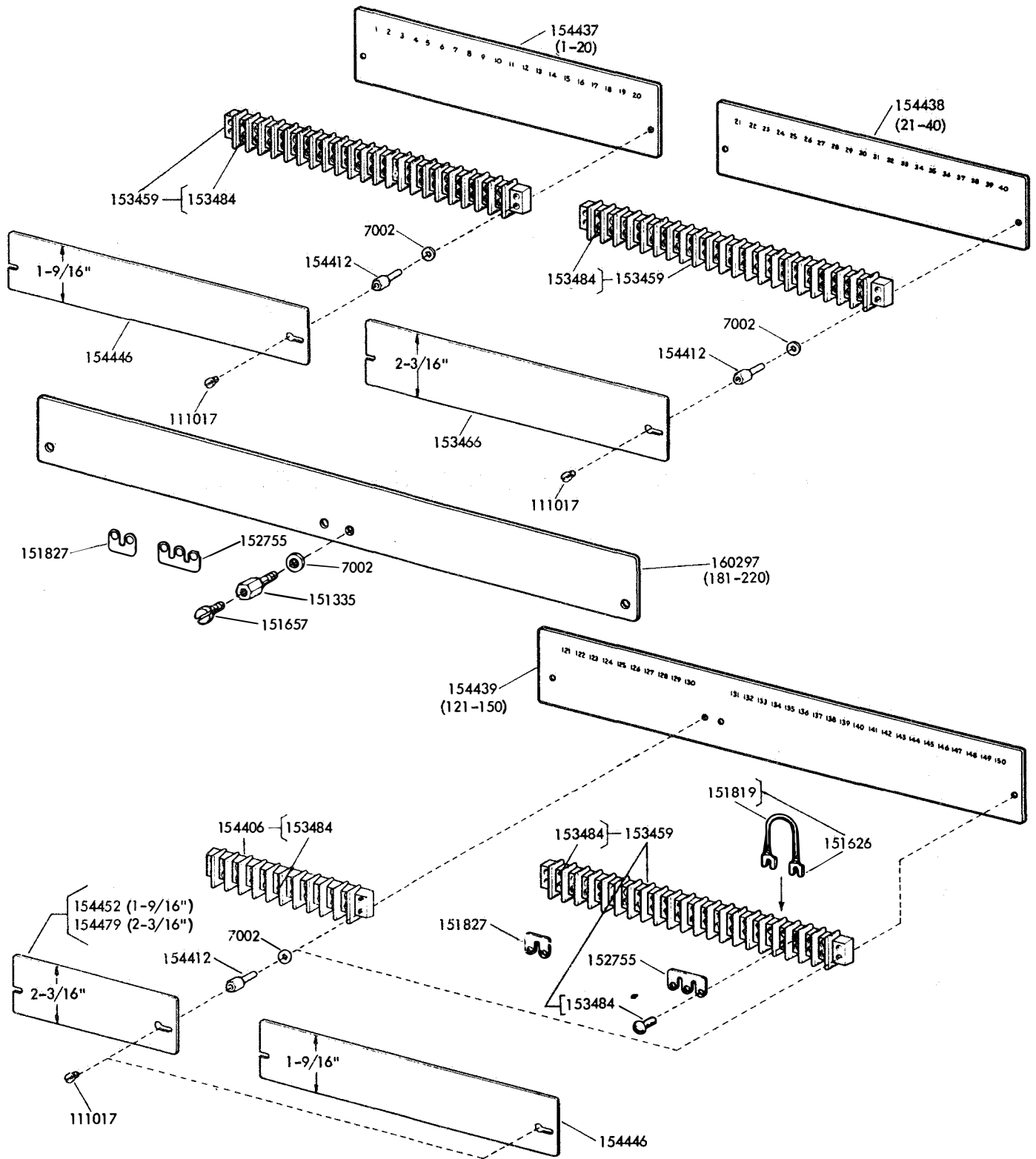


Figure 7-205. Terminal Blocks

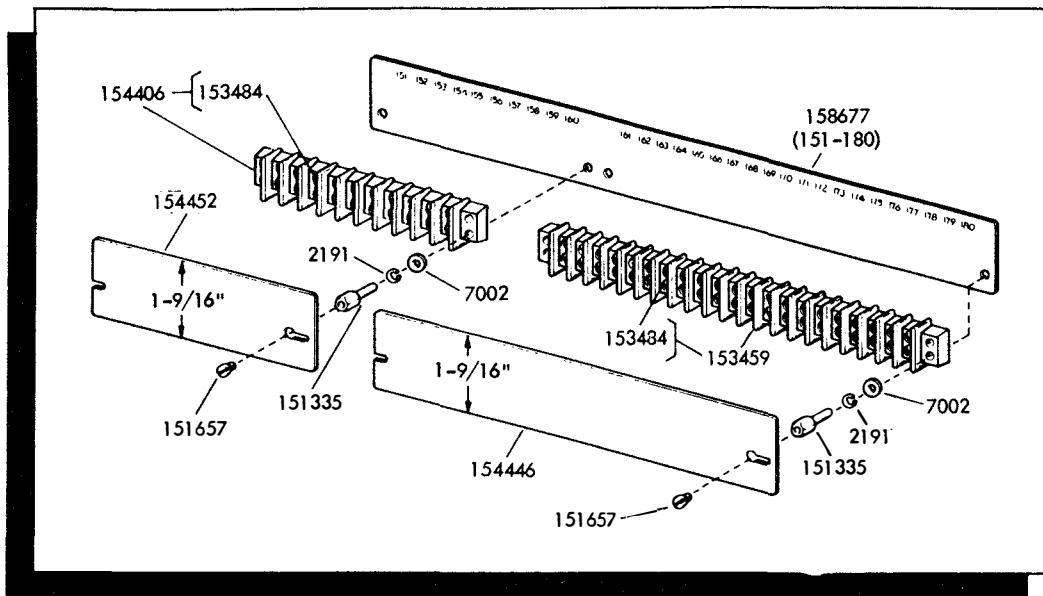


Figure 7-206. Modification Kit 159396 to Add Auxiliary Terminal Blocks, Top Row Left Rear

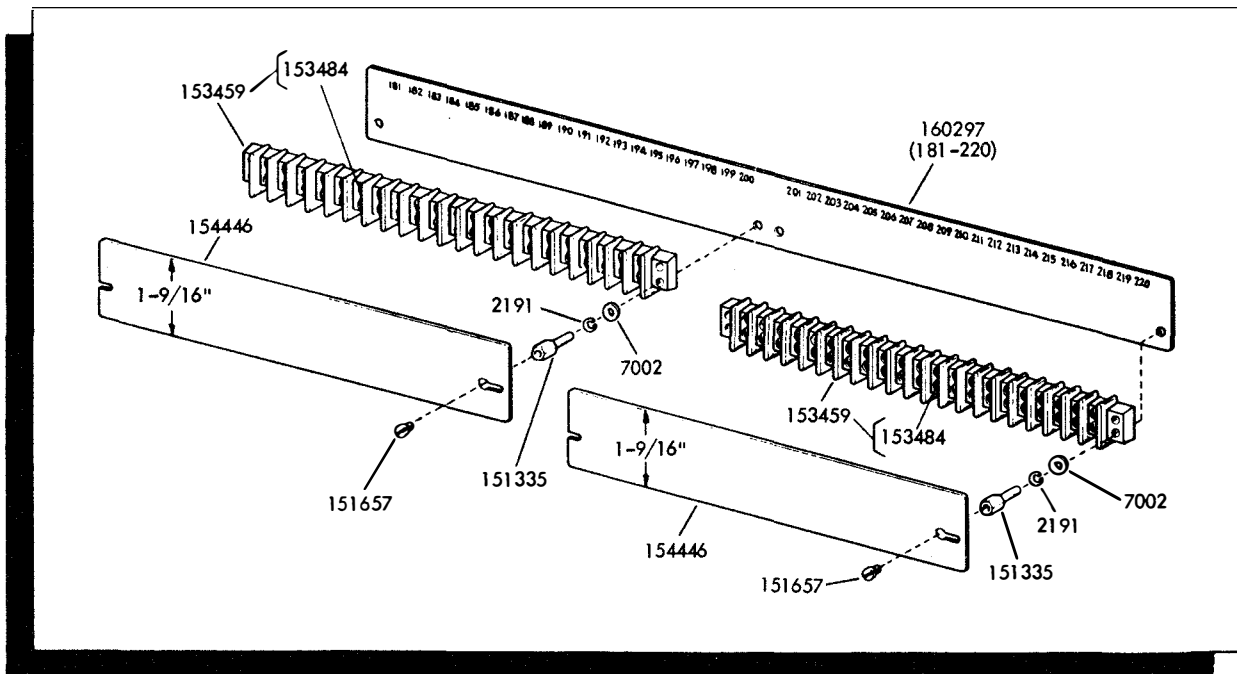


Figure 7-207. Modification Kit 159384 to Add Auxiliary Terminal Blocks, Top Row Right Rear

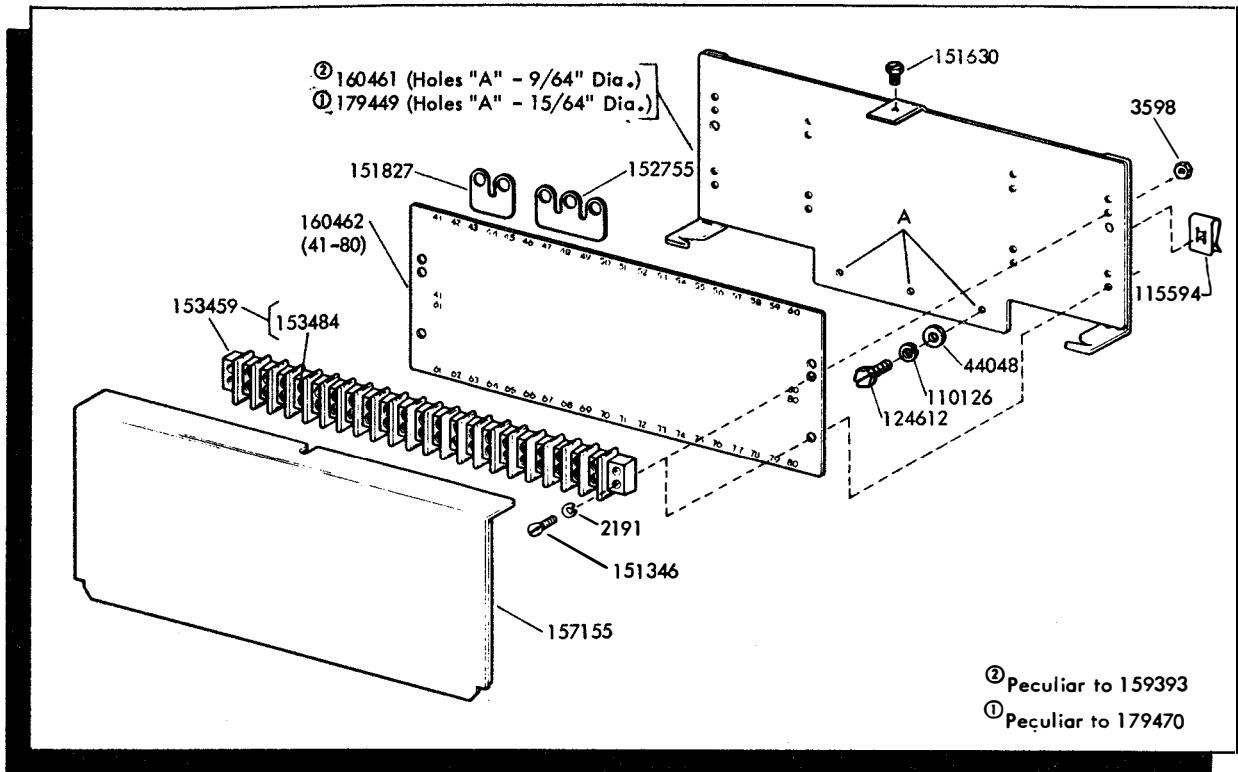


Figure 7-208. Modification Kit 159393 and Terminal Block Assembly 179470 to Add Auxiliary Terminal Block, Right Side

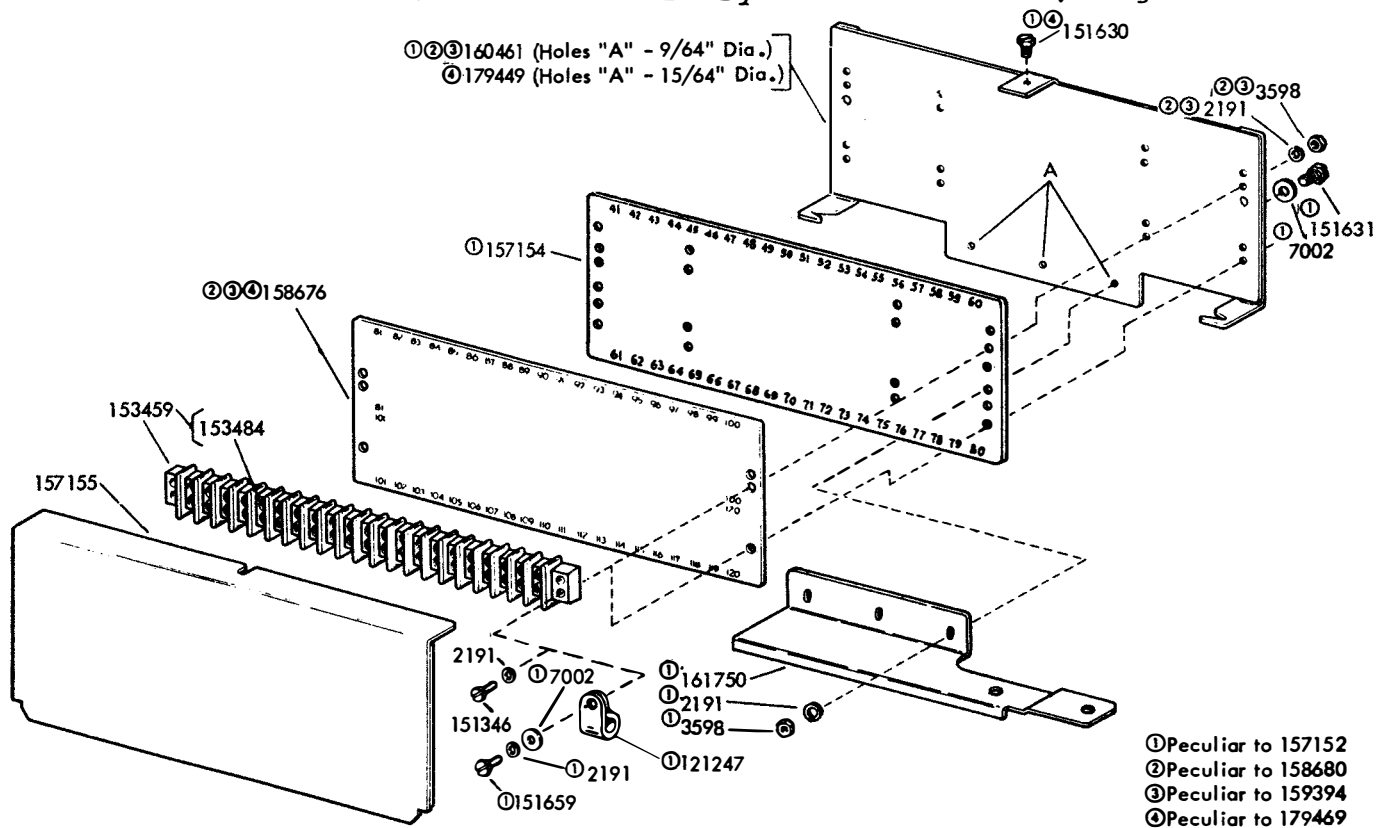


Figure 7-209. Modification Kits 157152, 158680, 159394, and 179469 to Add Terminal Boards

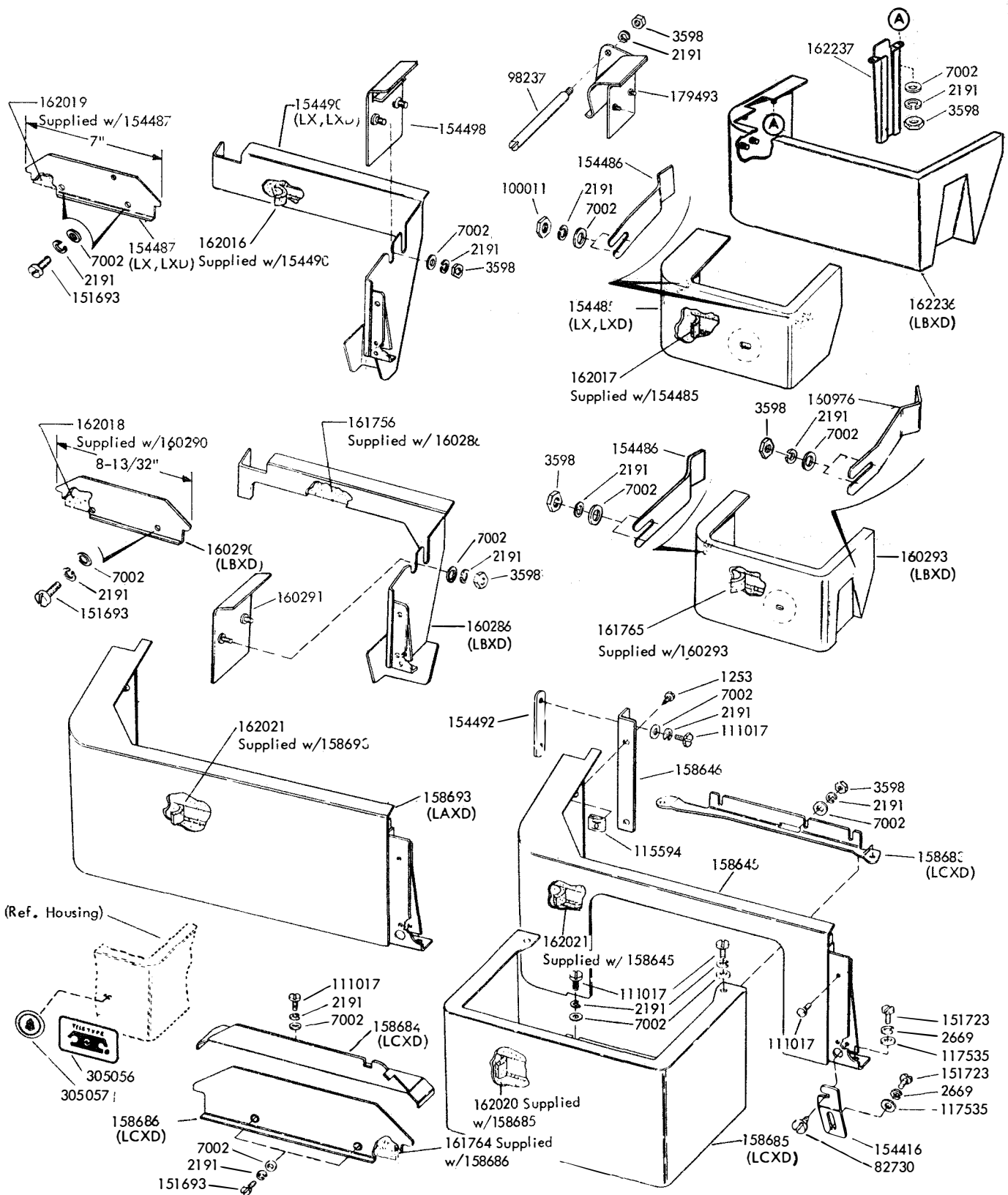


Figure 7-210. Transmitter and Transmitter Distributor Housings

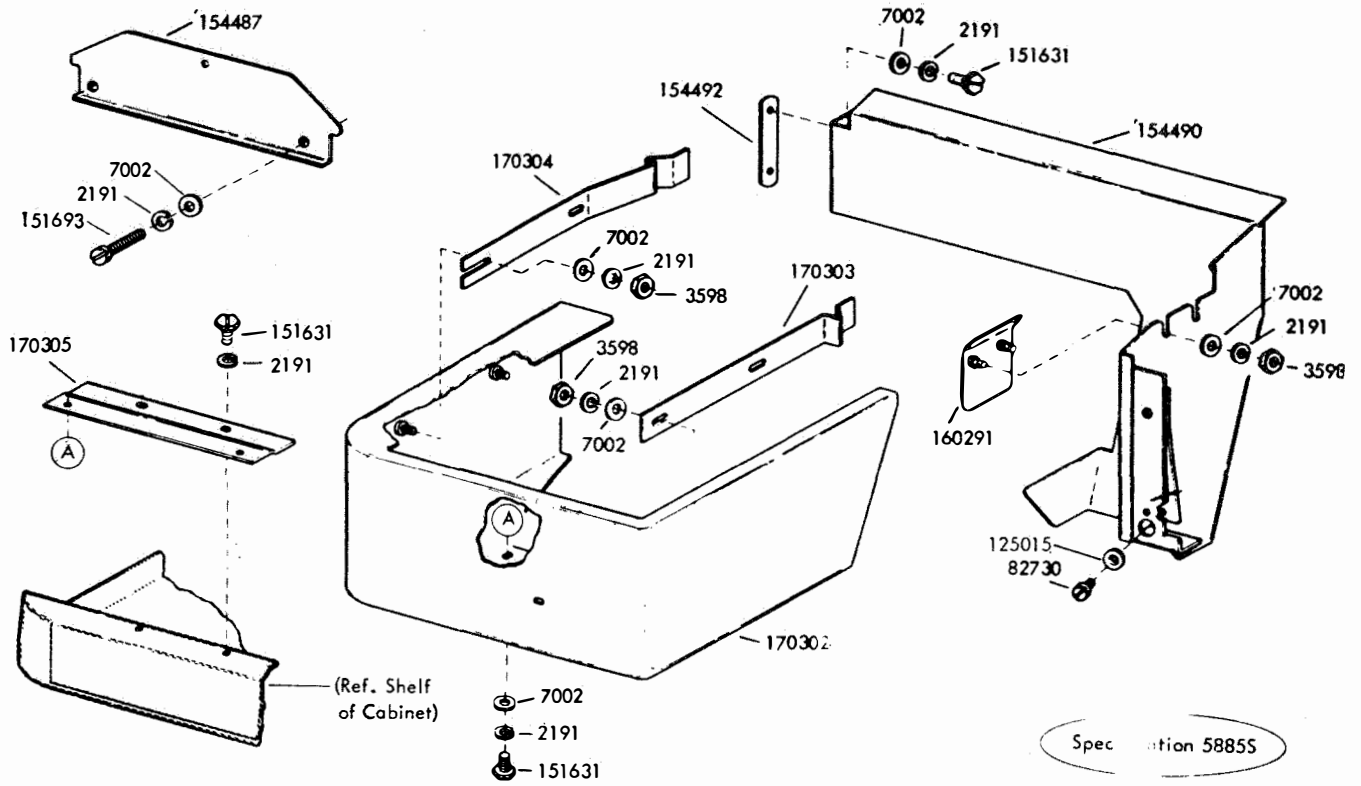


Figure 7-211. Modification Kit 170272 to Provide Dual Transmitter Distributor Housing

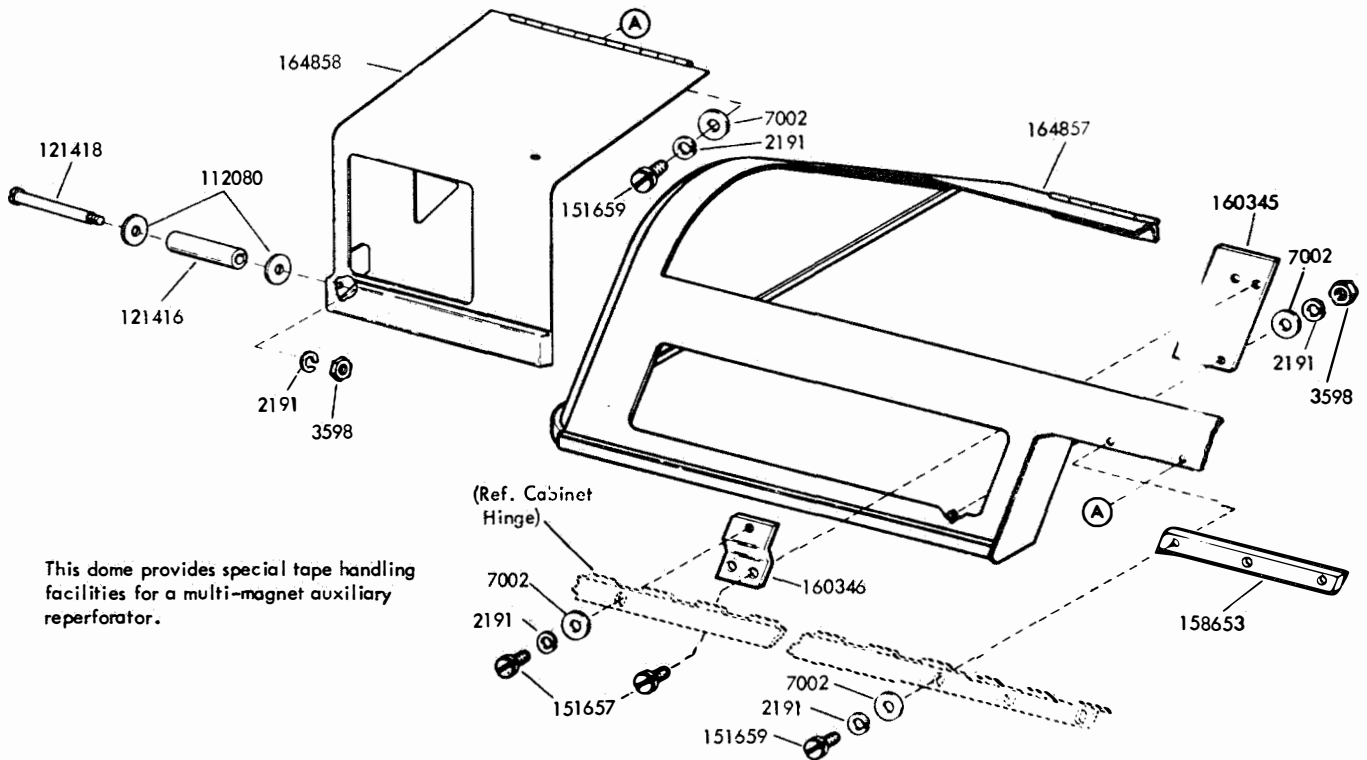


Figure 7-212. Cabinet Dome Variable Features

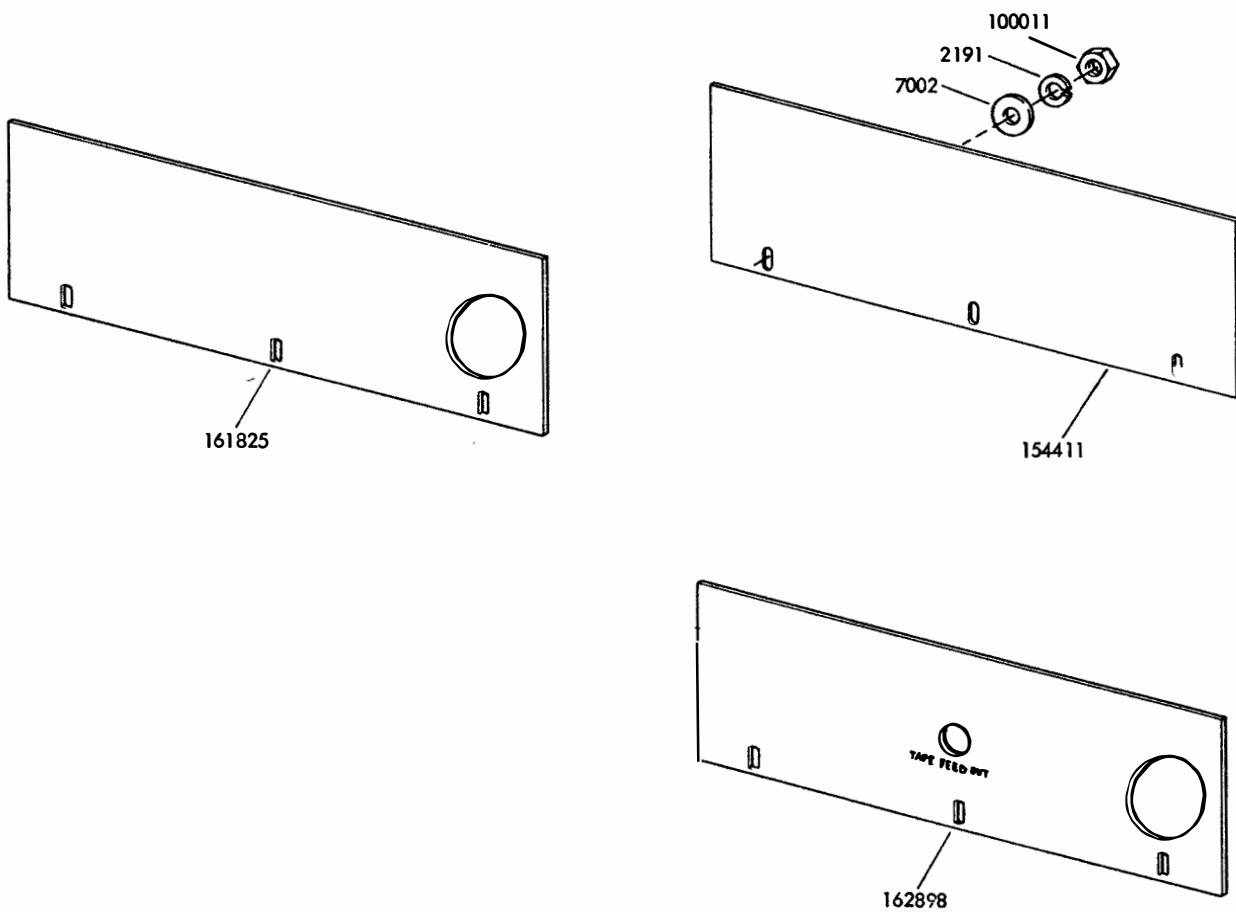


Figure 7-213. Control Panels

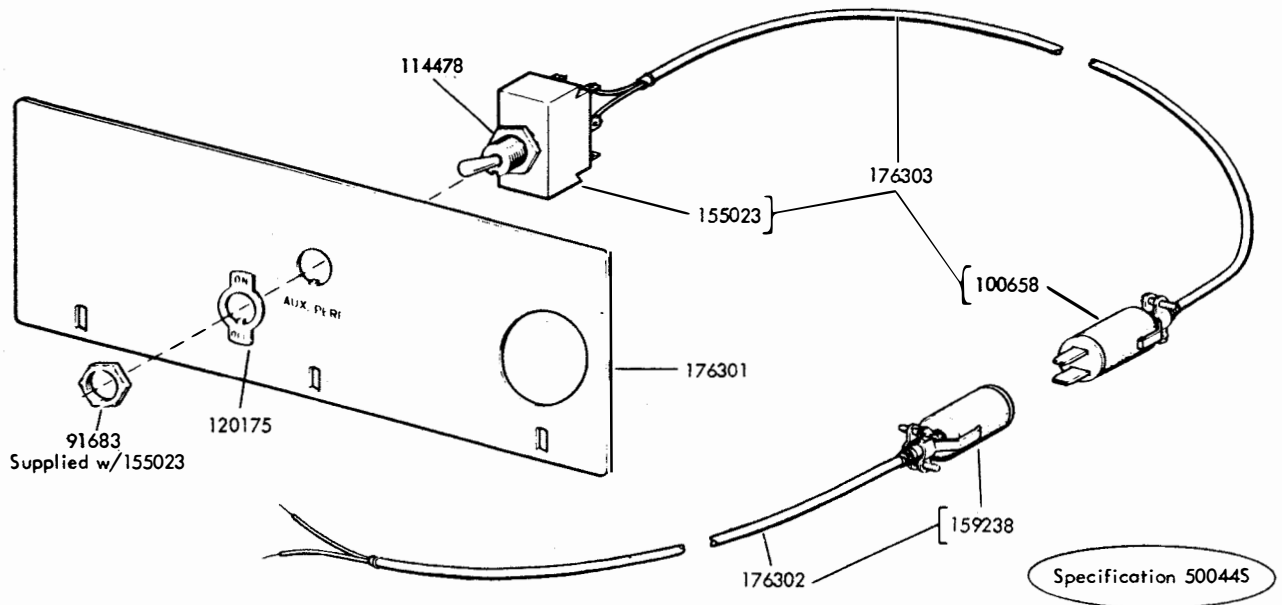


Figure 7-214. Modification Kit 176300 to Provide Auxiliary Reperforator Motor Control Panel

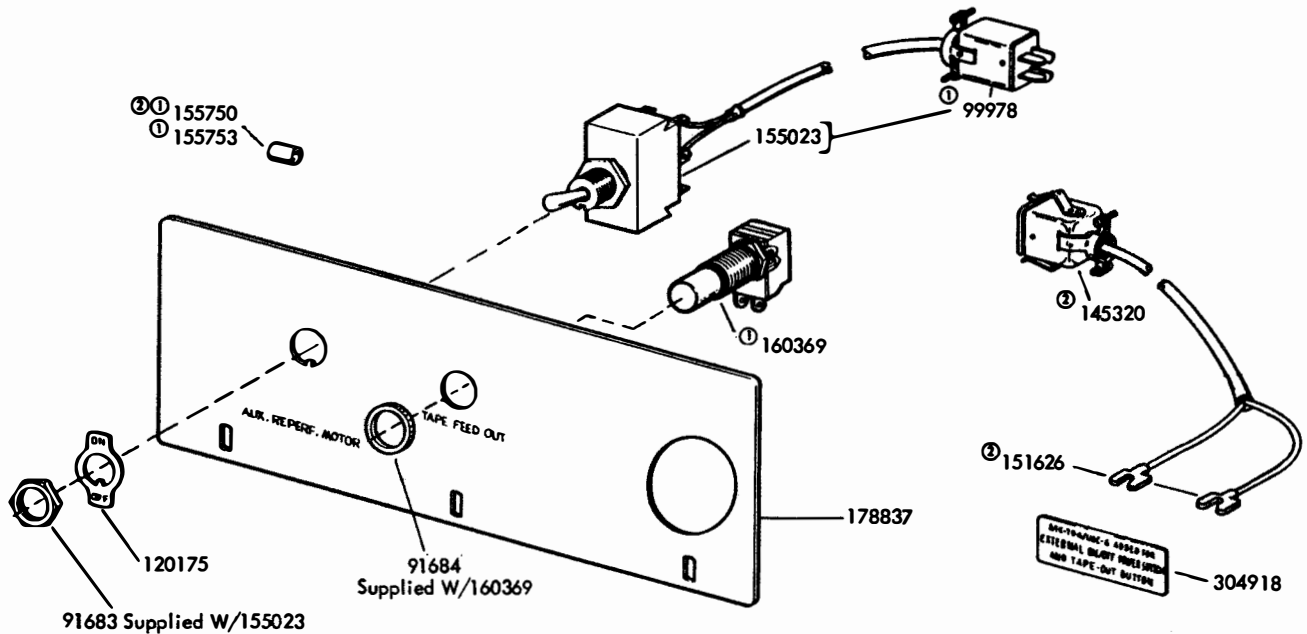


Figure 7-215. Modification Kit 178838 to Relocate Power Switch from Auxiliary Base to Outside of Cabinet

- ① 312475 Cable Assembly
- ② 312476 Cable Assembly

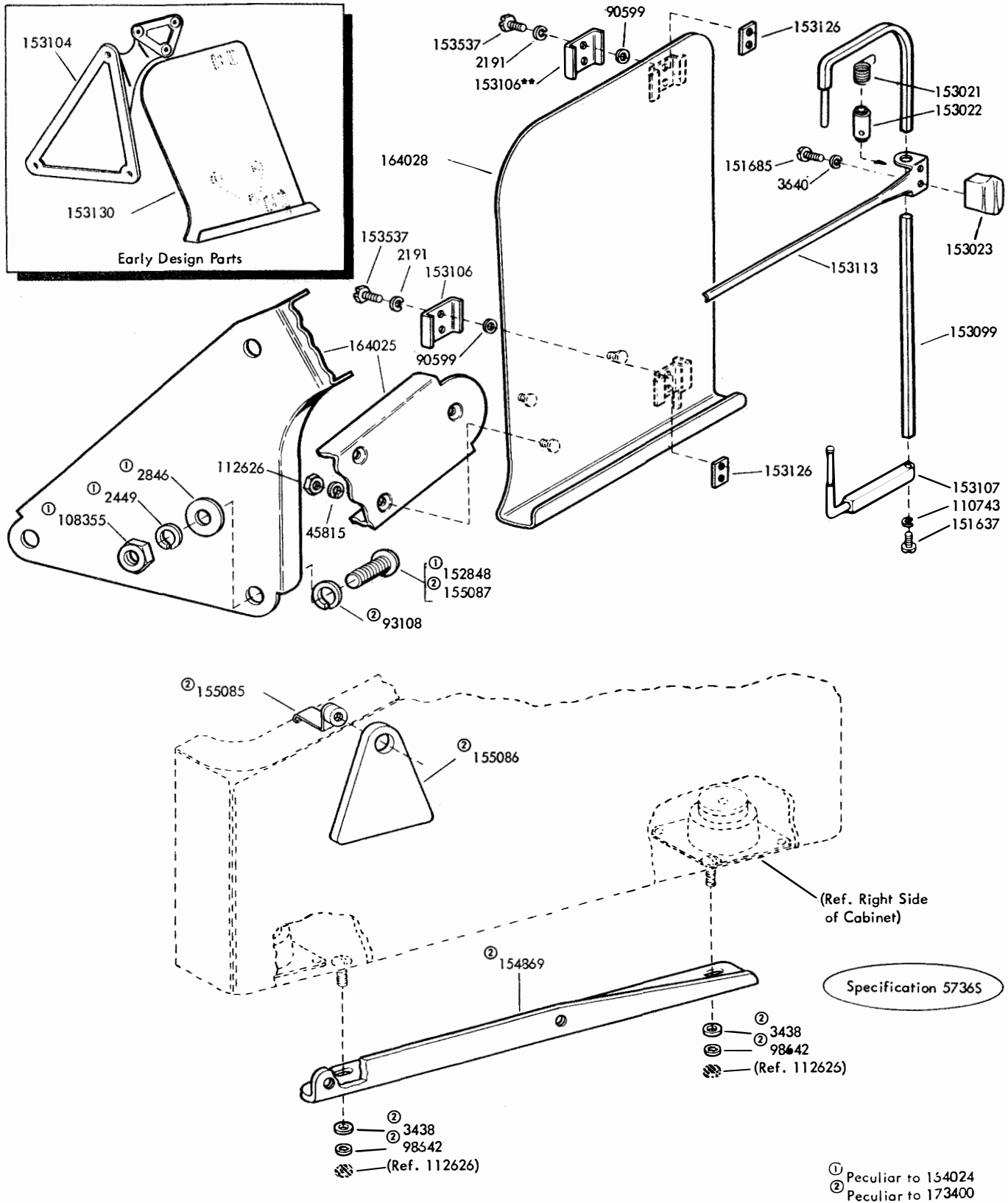
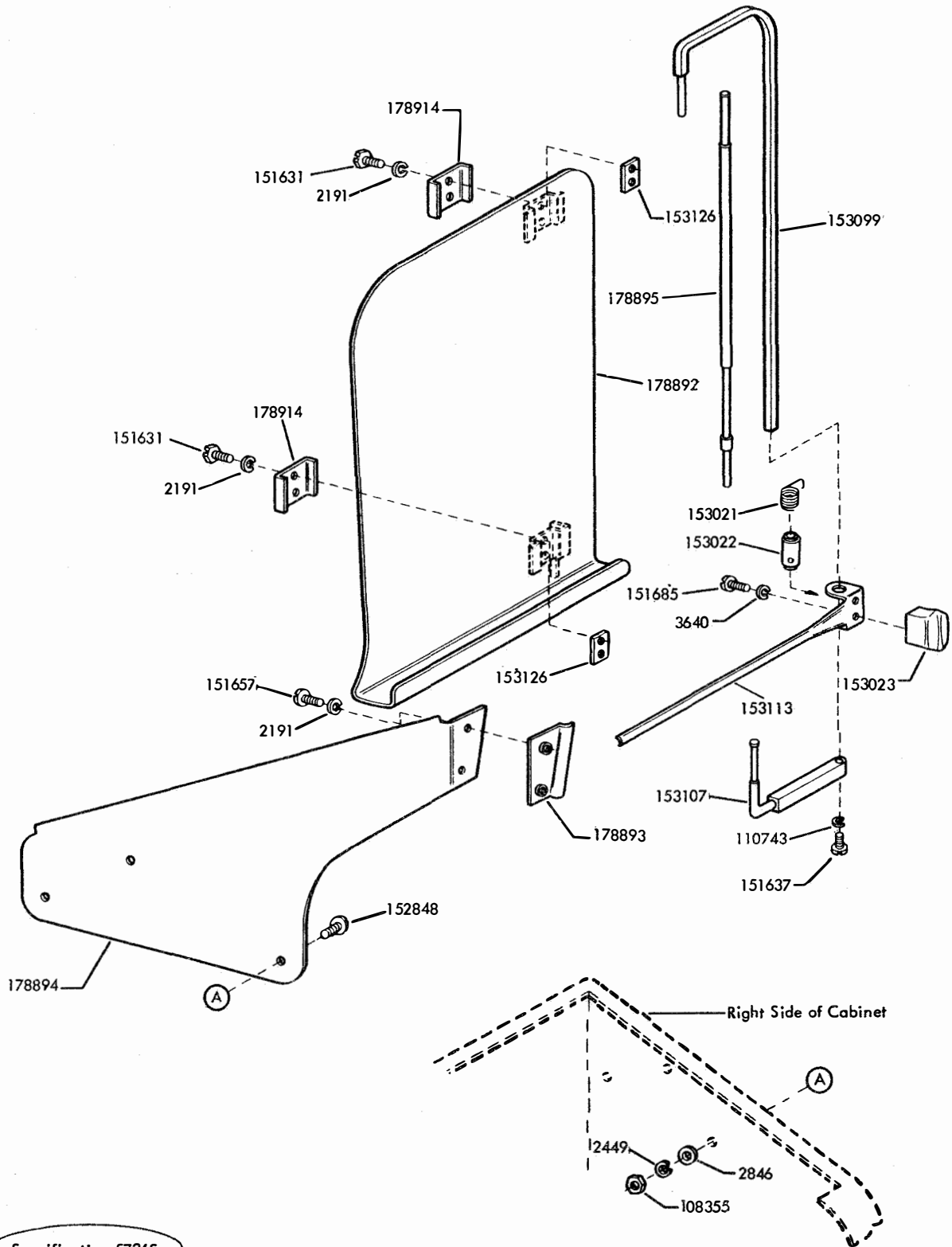


Figure 7-216. Modification Kits 164024 (for Floor Model) and 173400 (for Table Model) to Provide Offset Copyholder



Specification 57365

Figure 7-217. Modification Kit 178897 to Provide a Pivoted Offset Copyholder for Floor Model Cabinet

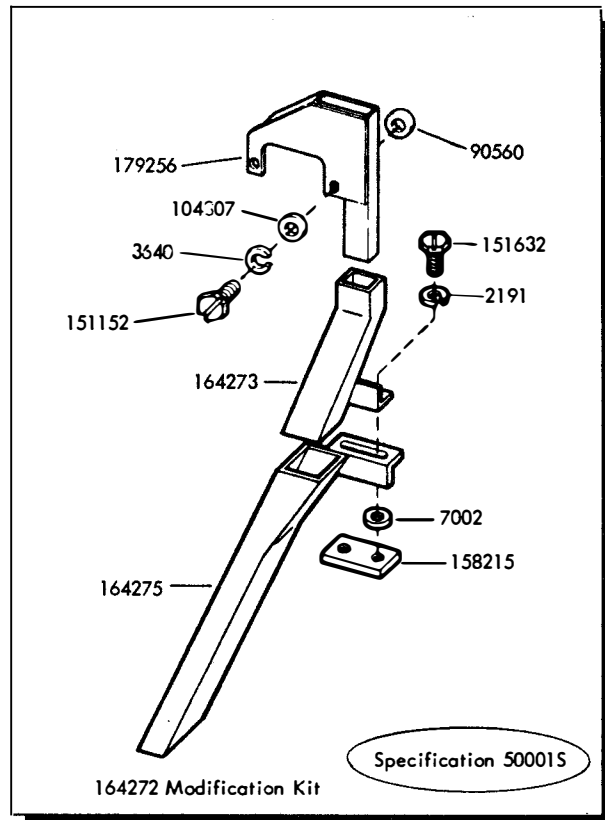
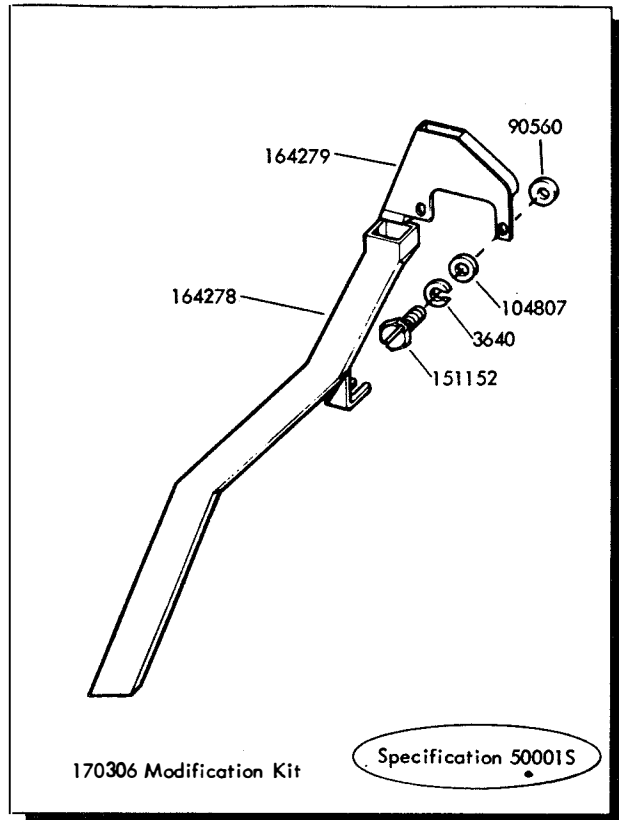


Figure 7-218. Modification Kits 164272 (for Auxiliary Reperforator) and 170306 (for Keyboard Reperforator) to Provide Chad Disposal

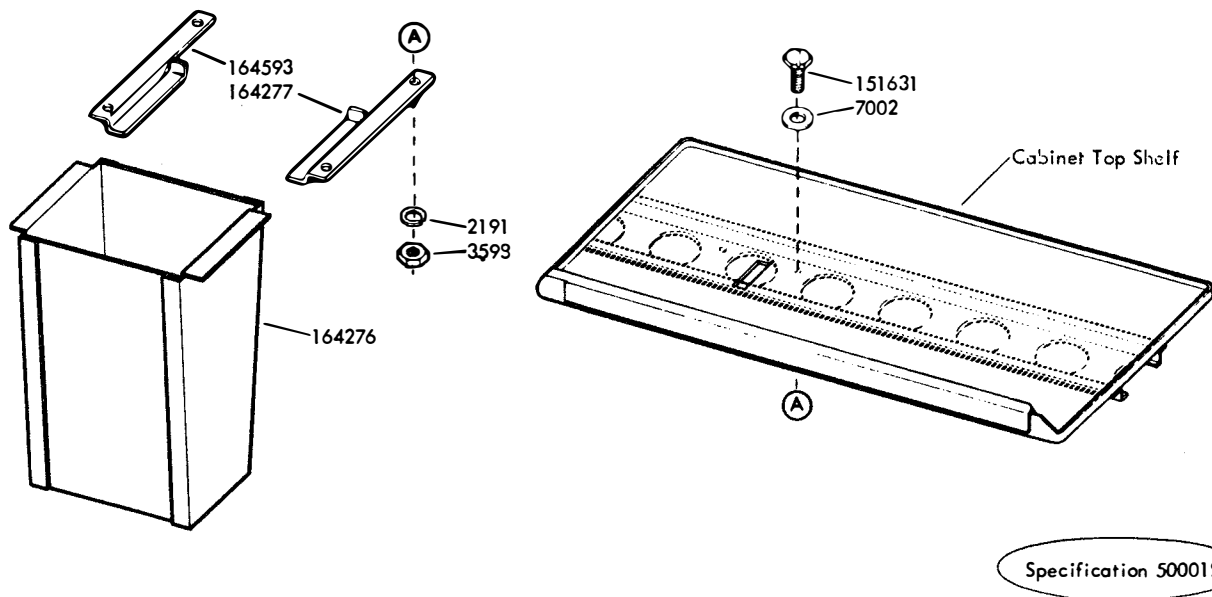


Figure 7-219. Modification Kit 164405 to Provide Chad Container for the Auxiliary Reperforator and/or Keyboard Reperforator

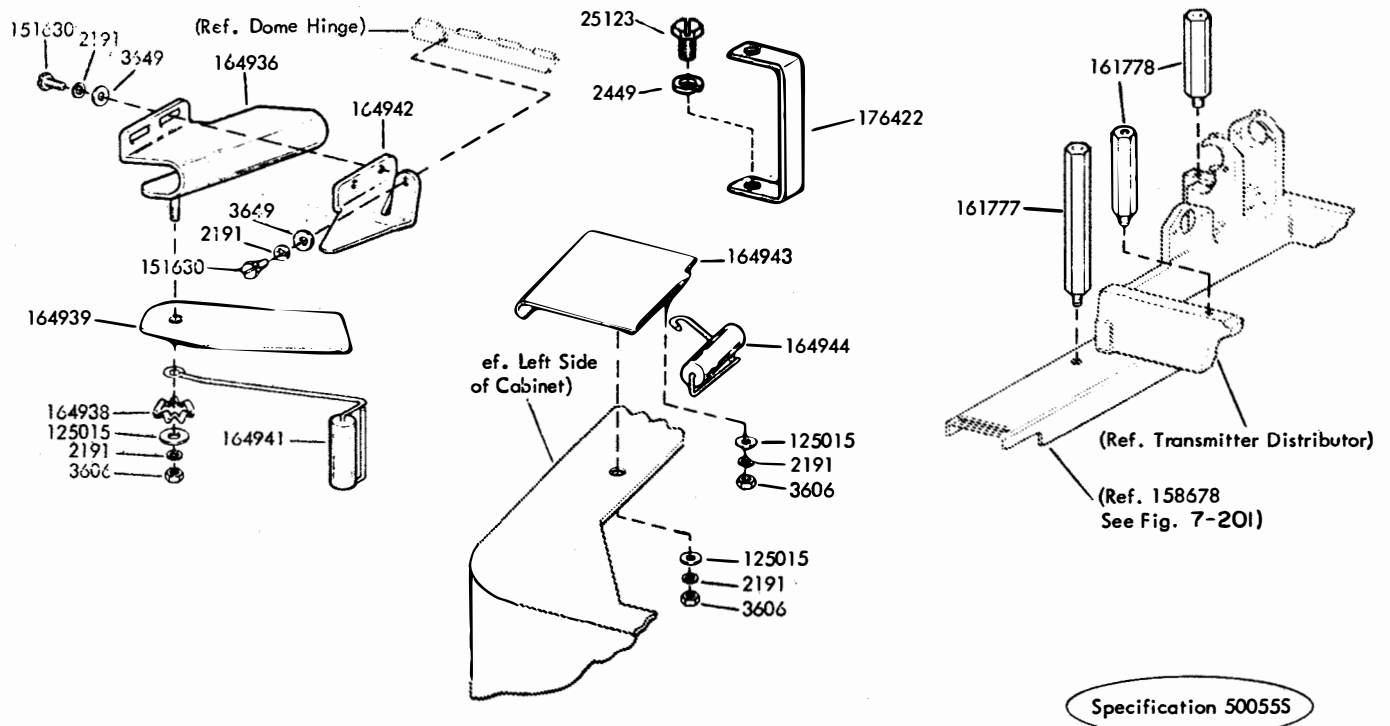


Figure 7-220. Modification Kit 161814 to Mount an Auxiliary Typing Reperforator Base and Provide Tape Guide

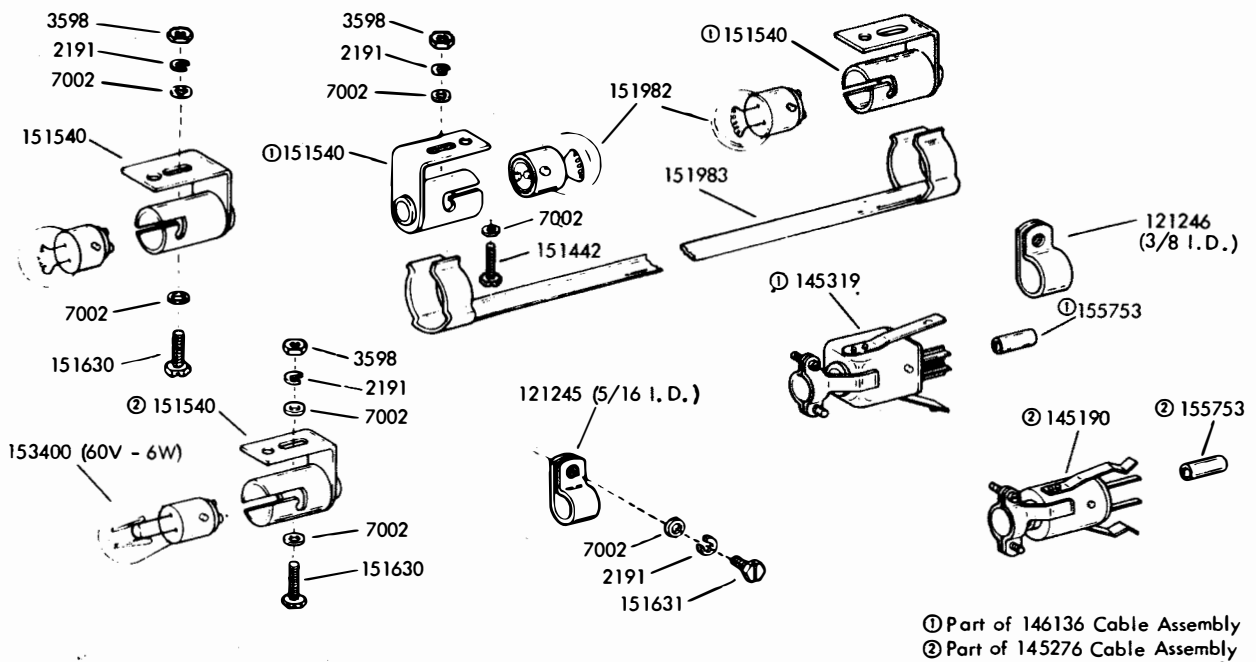


Figure 7-221. Modification Kit 146140 to Add Copylights and Guard Lamps

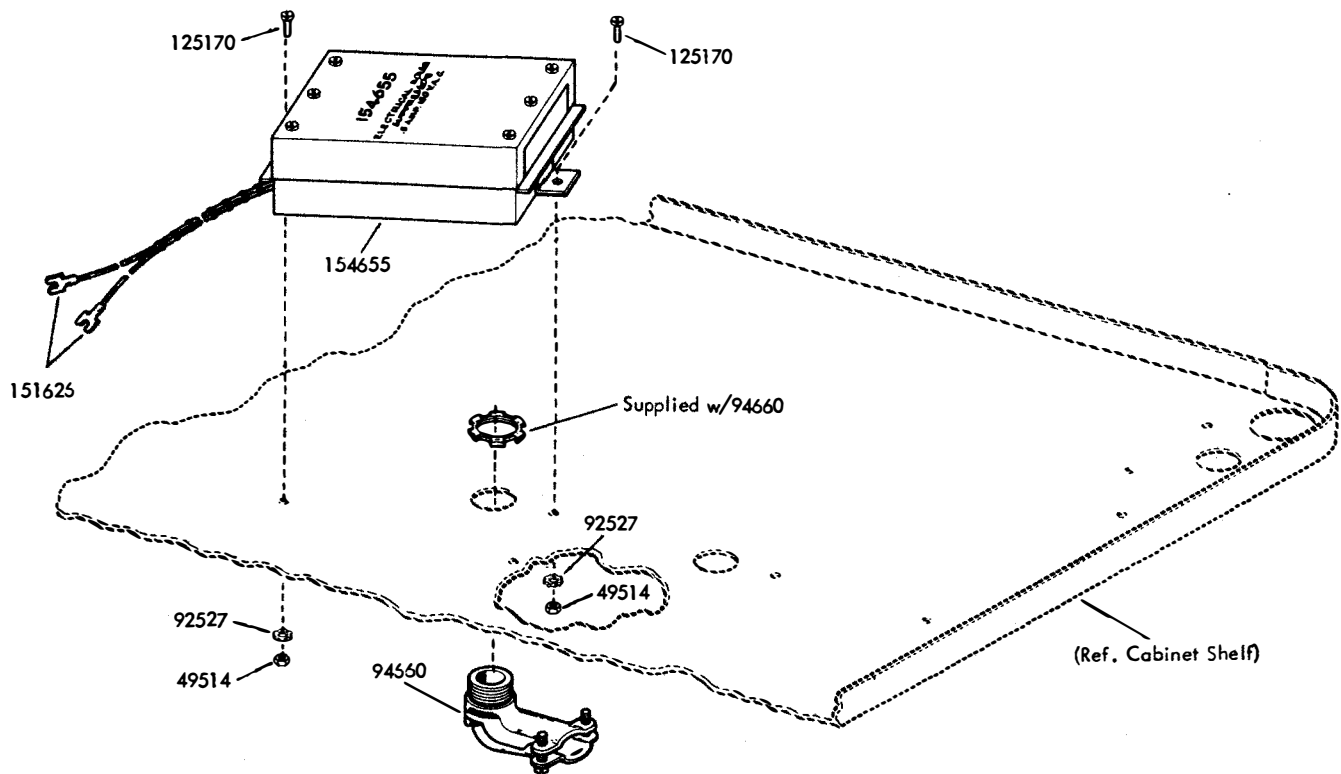


Figure 7-222. Modification Kit 154651 to Add Signal Line Electrical Noise Suppressor (DC)

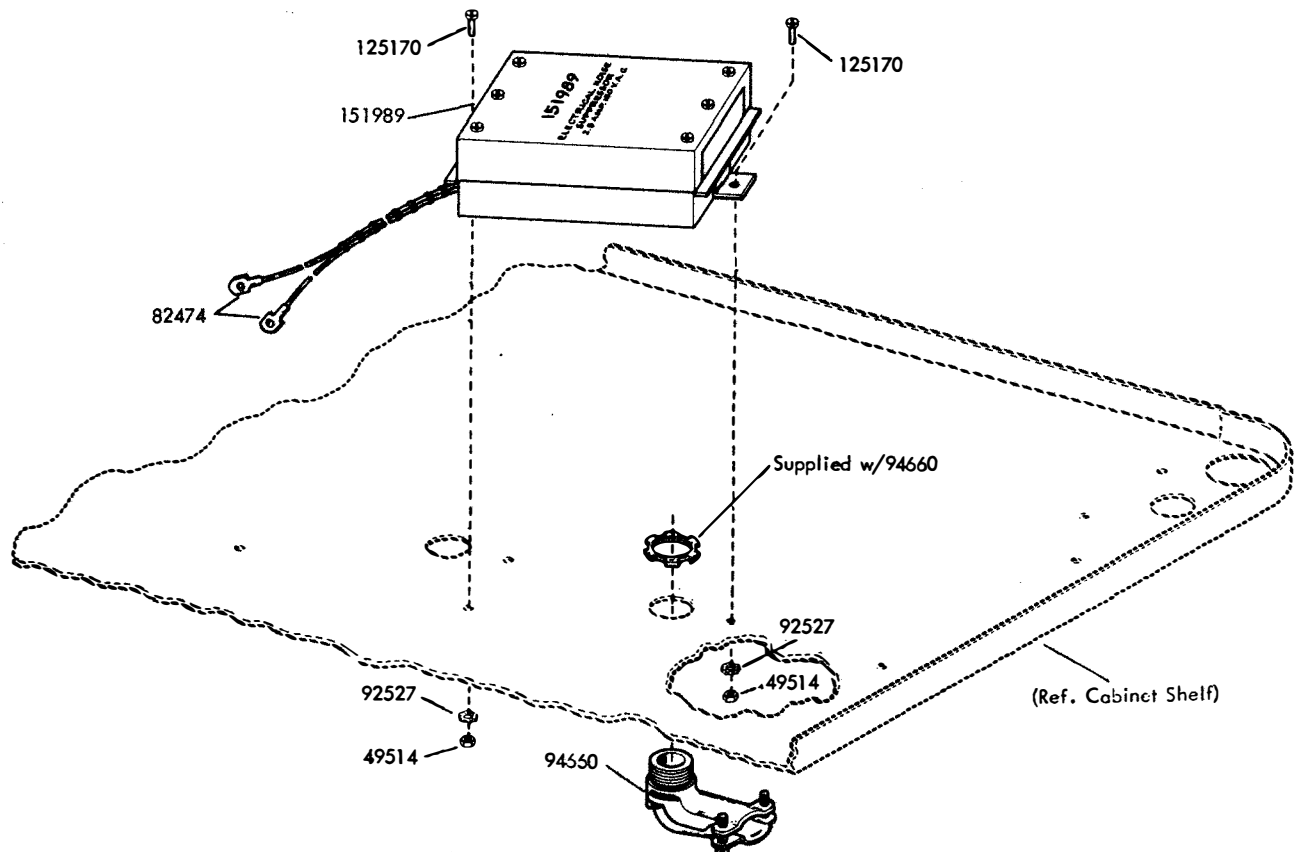
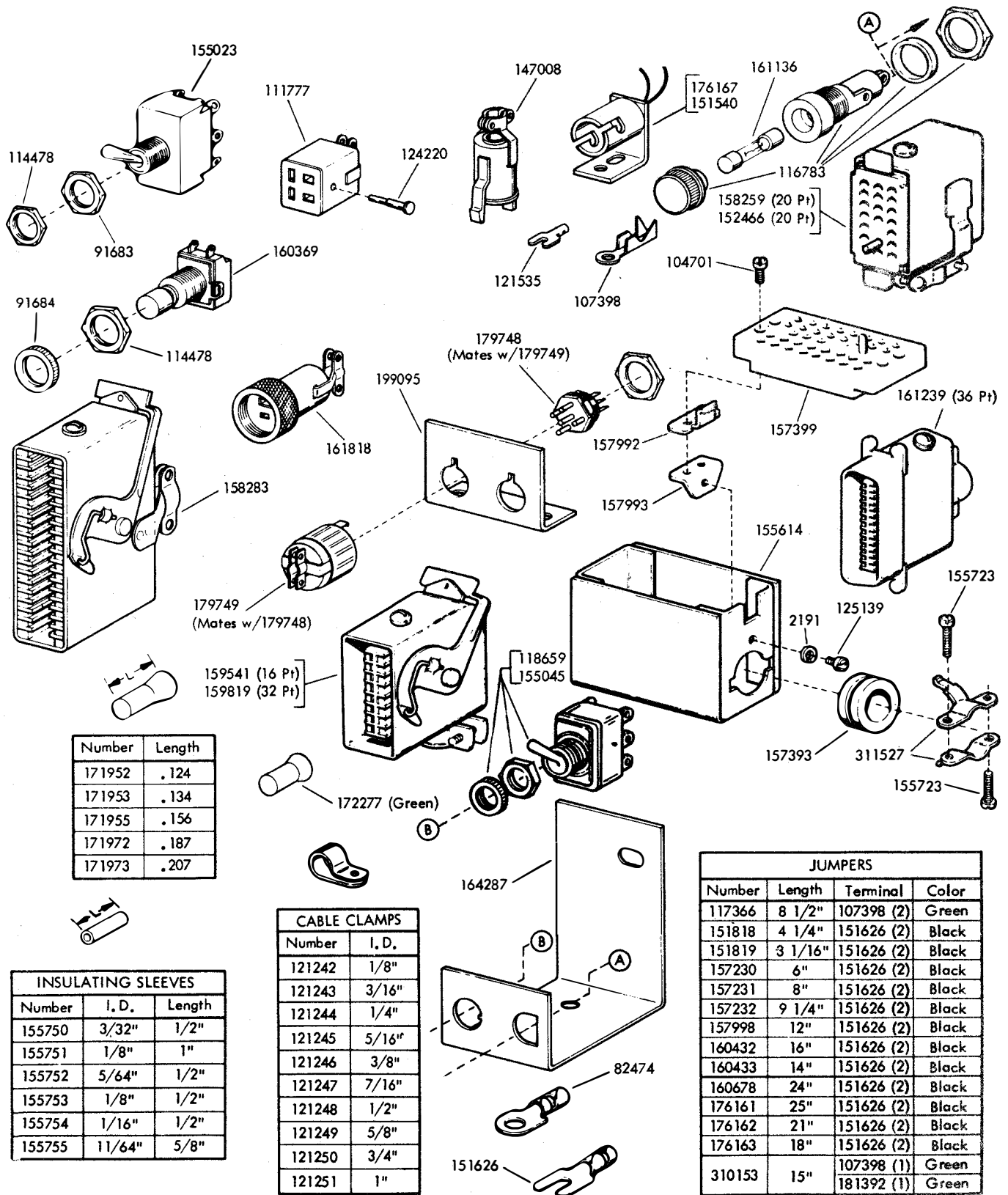


Figure 7-223. Modification Kit 151988 to Add Power Line Electrical Noise Suppressor.



Number	Length
171952	.124
171953	.134
171955	.156
171972	.187
171973	.207

INSULATING SLEEVES		
Number	I. D.	Length
155750	3/32"	1/2"
155751	1/8"	1"
155752	5/64"	1/2"
155753	1/8"	1/2"
155754	1/16"	1/2"
155755	11/64"	5/8"

CABLE CLAMPS	
Number	I. D.
121242	1/8"
121243	3/16"
121244	1/4"
121245	5/16"
121246	3/8"
121247	7/16"
121248	1/2"
121249	5/8"
121250	3/4"
121251	1"

JUMPERS			
Number	Length	Terminal	Color
117366	8 1/2"	107398 (2)	Green
151818	4 1/4"	151626 (2)	Black
151819	3 1/16"	151626 (2)	Black
157230	6"	151626 (2)	Black
157231	8"	151626 (2)	Black
157232	9 1/4"	151626 (2)	Black
157998	12"	151626 (2)	Black
160432	16"	151626 (2)	Black
160433	14"	151626 (2)	Black
160678	24"	151626 (2)	Black
176161	25"	151626 (2)	Black
176162	21"	151626 (2)	Black
176163	18"	151626 (2)	Black
310153	15"	107398 (1)	Green
		181392 (1)	Green

Figure 7-224. Cable Components, Cabinet

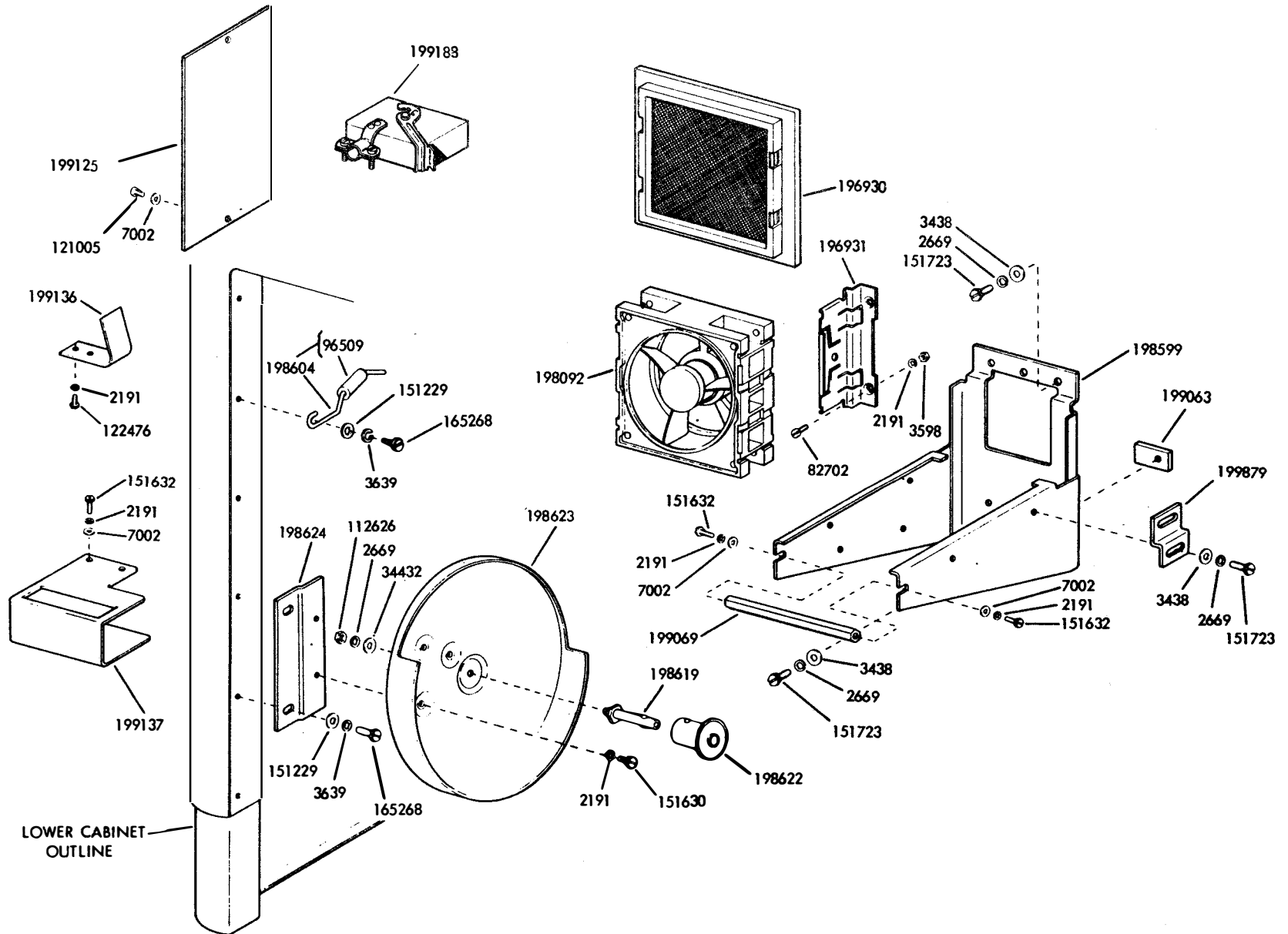


Figure 7-225. Fan, Tape Reel and Rectifier Mounting Components, Lower Cabinet

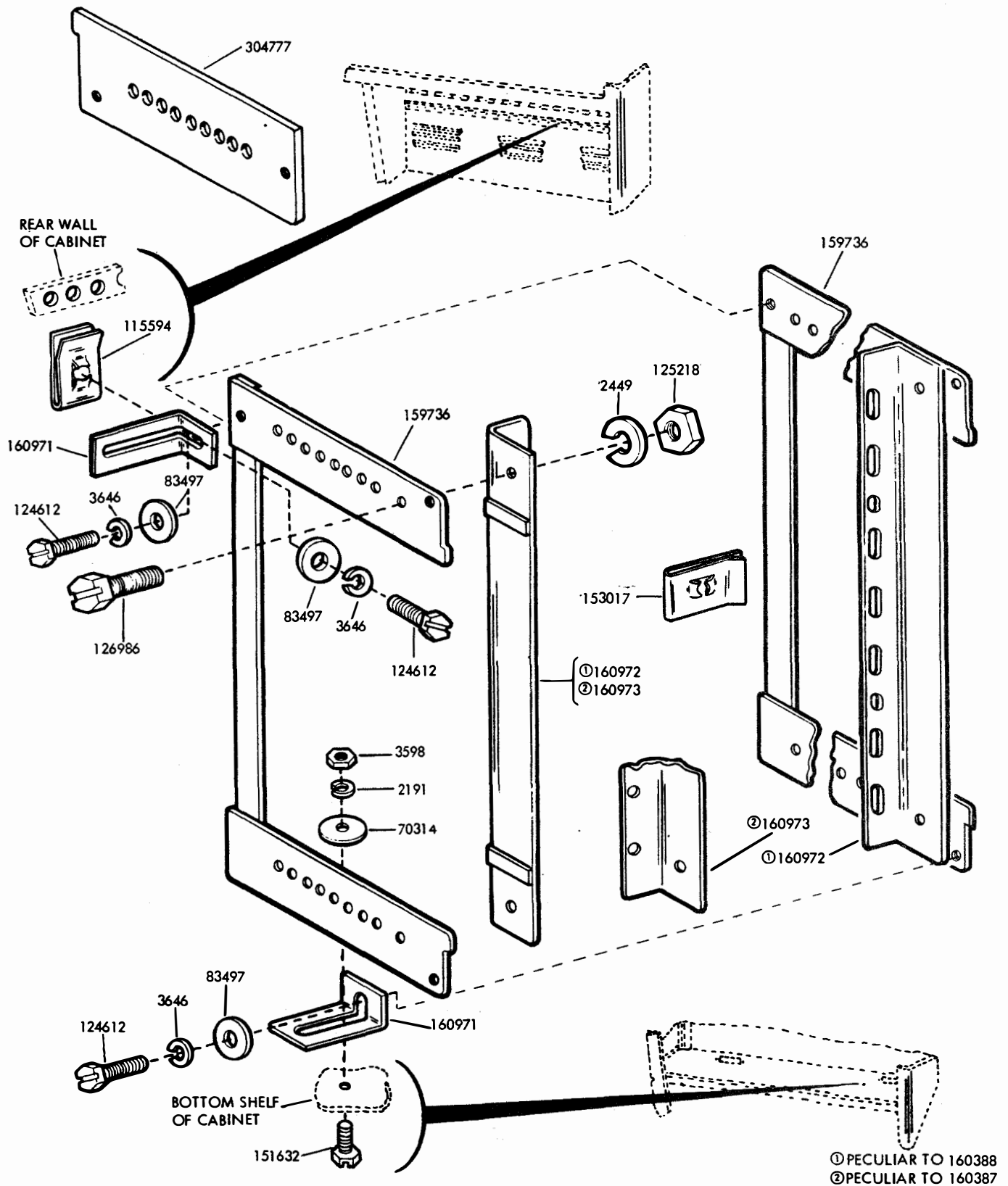


Figure 7-226. Modification Kits 160387 and 160388 to Provide Relay Rack Brackets

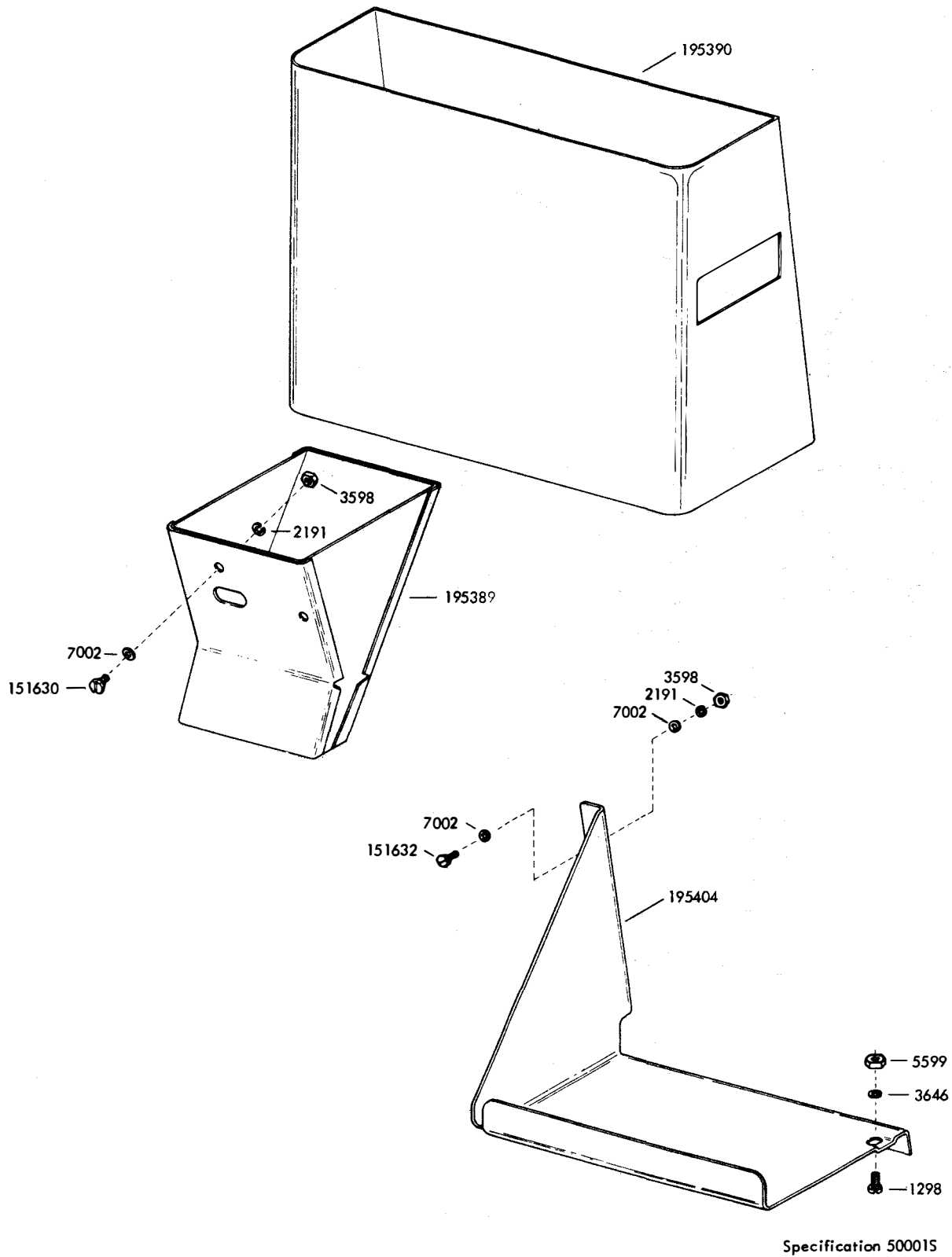
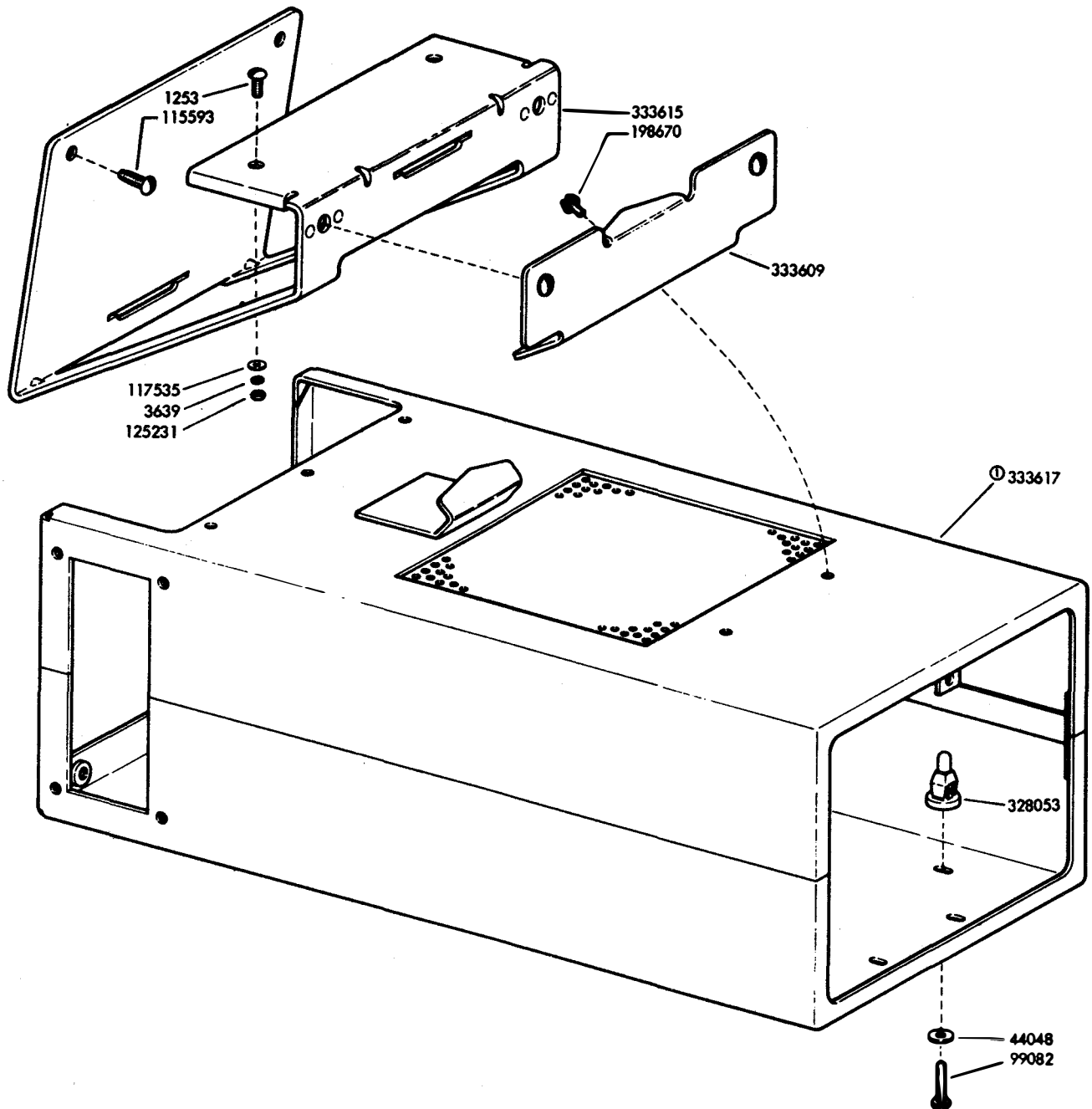


Figure 7-227. Modification Kit 195391 to Add Chad Container for the Auxiliary and/or Keyboard Reperforator

	With Line Assurance					Without Line Assurance				
	334541	334542	334543	334544	334545	336014	336015	336016	336017	336018
Used with a 7.00 Unit Code Set having a band rating of	75	50	45.5			75	50	45.5		
Used with a 7.42 Unit Code Set having a W.P.M. rating of		67.5	60	100	75		67.5	60	100	75
322080 Line Assurance Card Shown on figure 7-252	●	●	●	●	●					
333605 Power Supply Assembly Shown on figures 7-235 and 236	●	●	●	●	●					
Crystals, Shown on figure 7-233	328003	328006	328007	328004	328005	328003	328006	328007	328004	328005
161592 Plate w/Studs Shown on figure 7-169		●	●	●	●		●	●	●	●
303160 Duel Circuit Magnet Drive-Circuit Card Shown on figure 7-250	●	●	●	●	●	●	●	●	●	●
303164 Clock Amplifier-Circuit Card Shown on figure 7-251	●	●	●	●	●	●	●	●	●	●
303811 Contact Latch and Filter-Circuit Card Shown on figure 7-253	●	●	●	●	●	●	●	●	●	●
324681 Cable Assembly Shown on figure 7-179		●	●	●	●		●	●	●	●
328010 Numbering Module w/Cards, Shown on Figure 7-233	●	●	●	●	●	●	●	●	●	●
333601 Numbering Module Enclosure, Shown on Figures 7-229, 230 and 231	●	●	●	●	●	●	●	●	●	●
333633 Cable Assembly Shown on figure 7-248	●	●	●	●	●	●	●	●	●	●
333634 Bracket Shown on figure 7-248	●	●	●	●	●	●	●	●	●	●

● Indicates-used on

Figure 7-228. Modification Kits to Equip Low-Level Automatic Send-Receive Sets with Message Numbering Features



① Not part of 333601, Supplied with 336011, Enclosure & Power Supply Assembly. See Figure 7-231

Figure 7-229. Numbering Module Enclosure 333601 Mounting Components, Used on Low-Level Sets (Sheet 1 of 2)

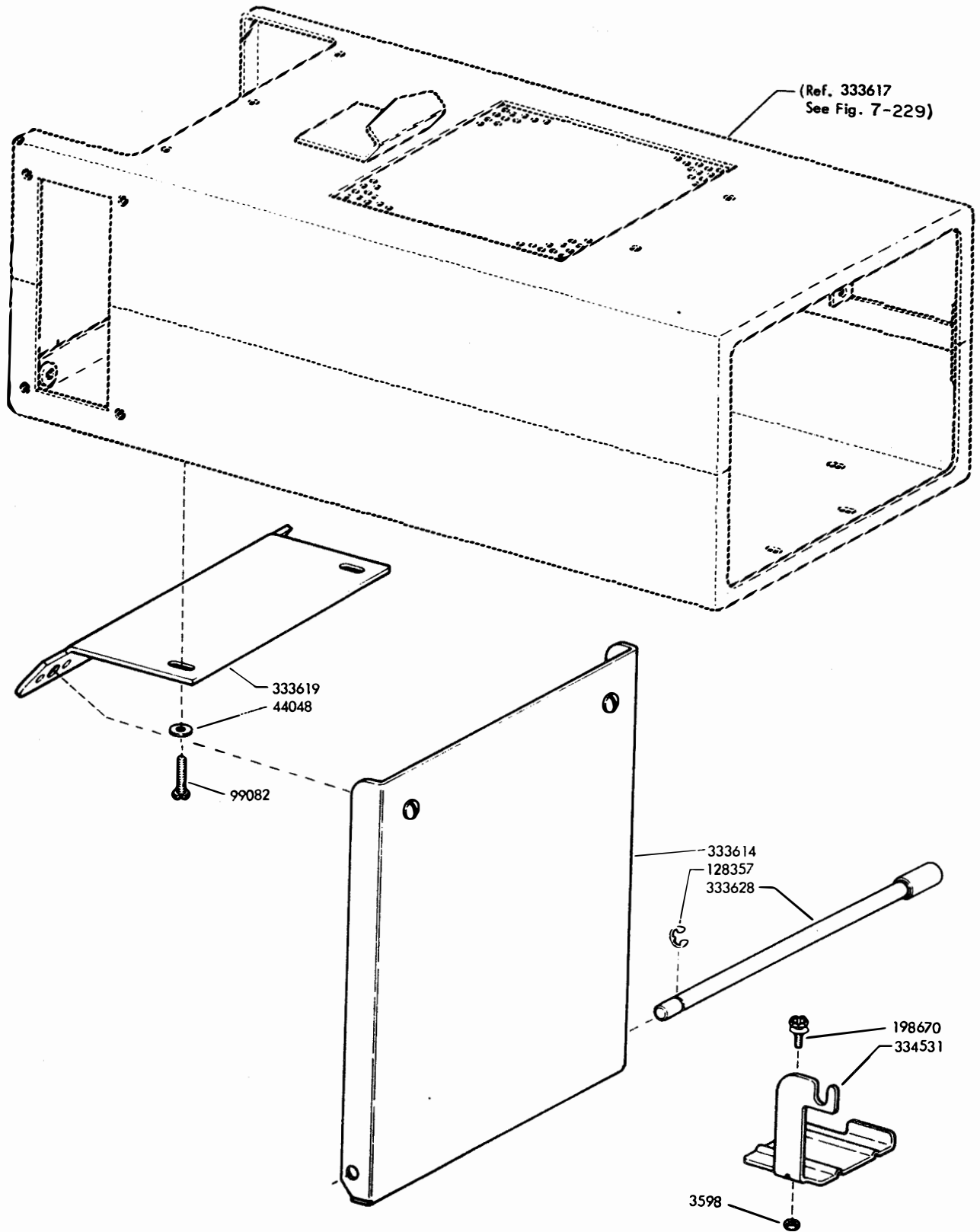


Figure 7-230. Numbering Module Enclosure 333601 Mounting Components, Used on Low-Level Sets (Sheet 2 of 2)

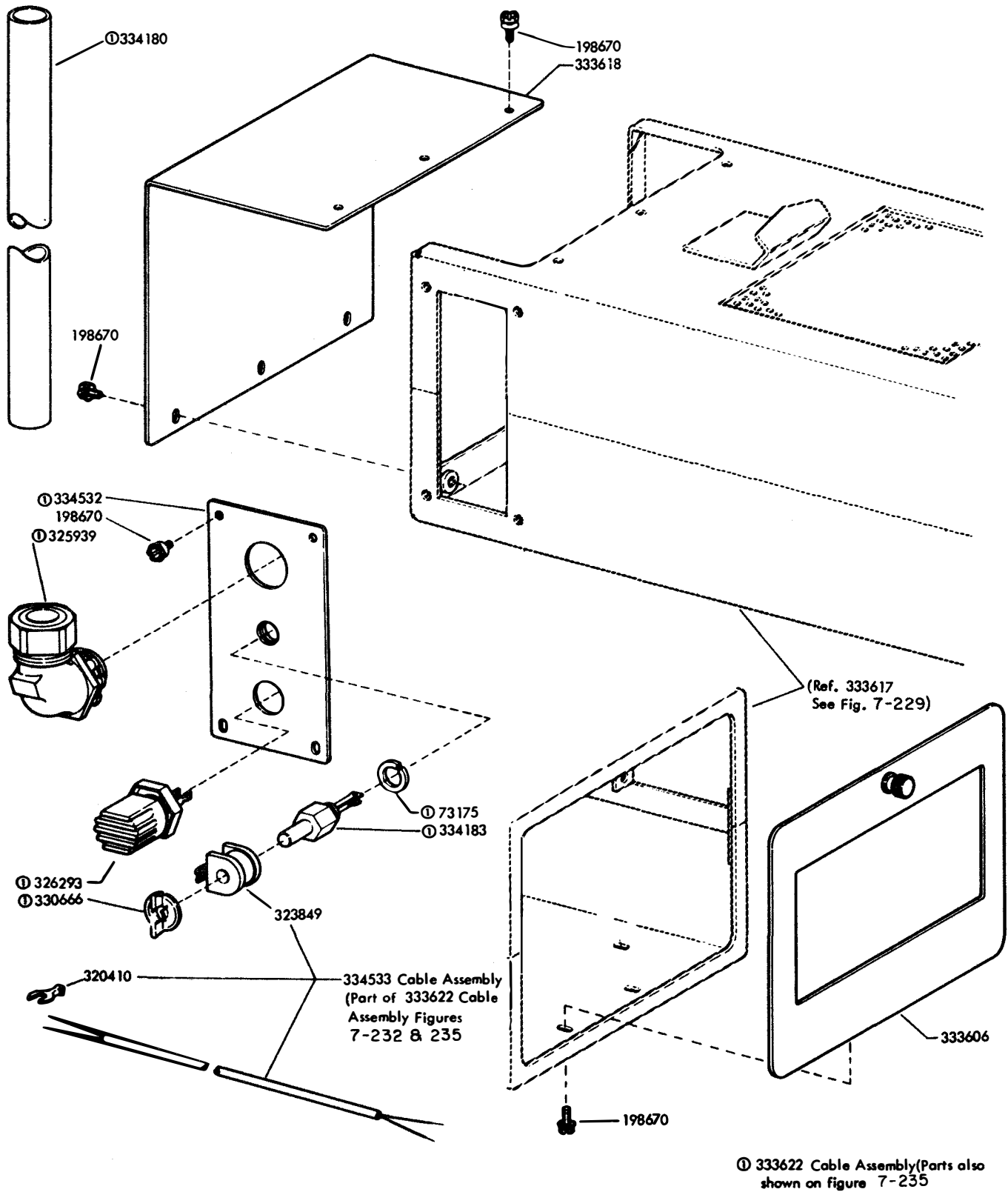


Figure 7-231. Enclosure and Power Supply Assembly 336011 (Part of 333601, See Figures 7-229 and 7-230), Used on Low-Level Set

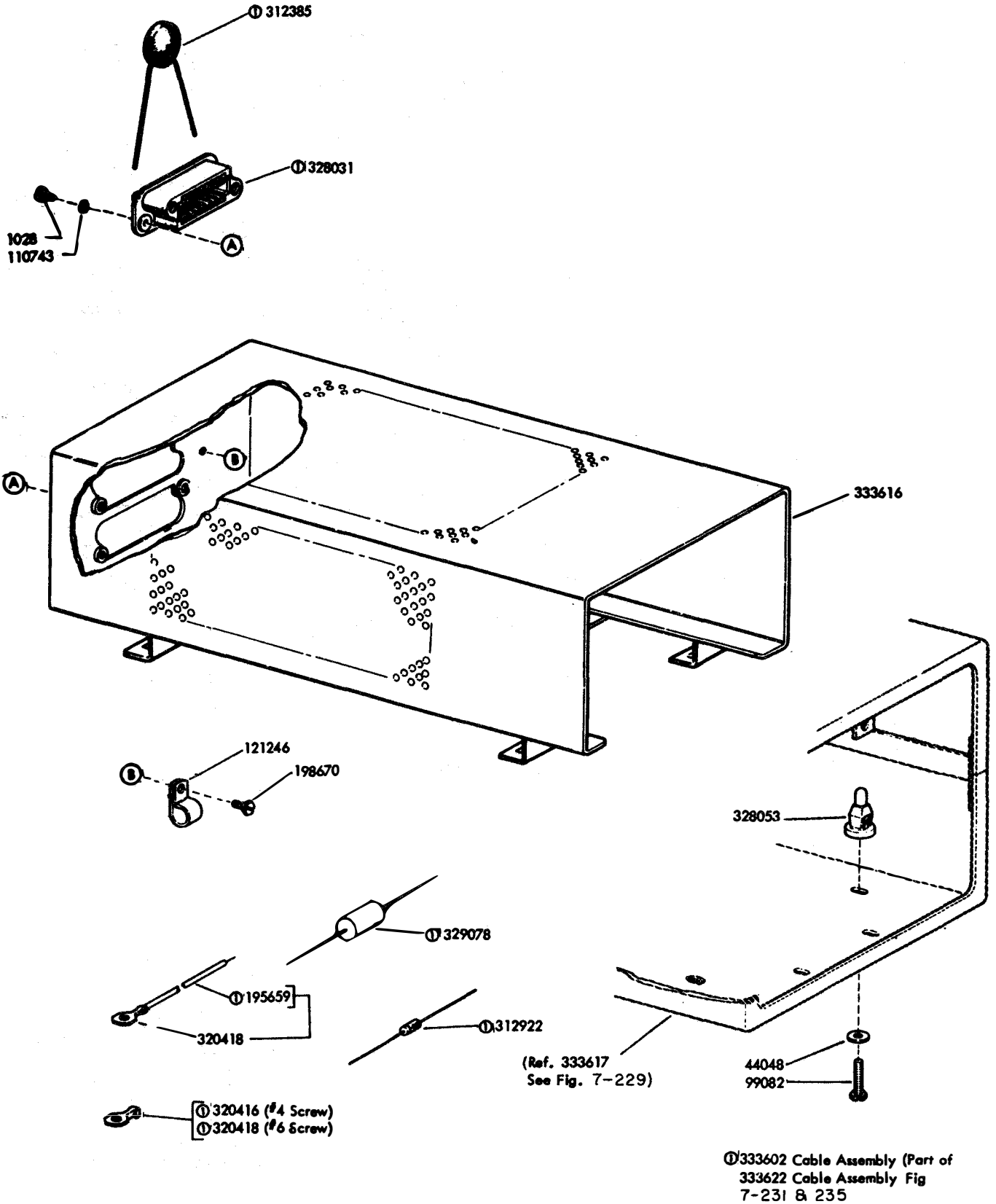
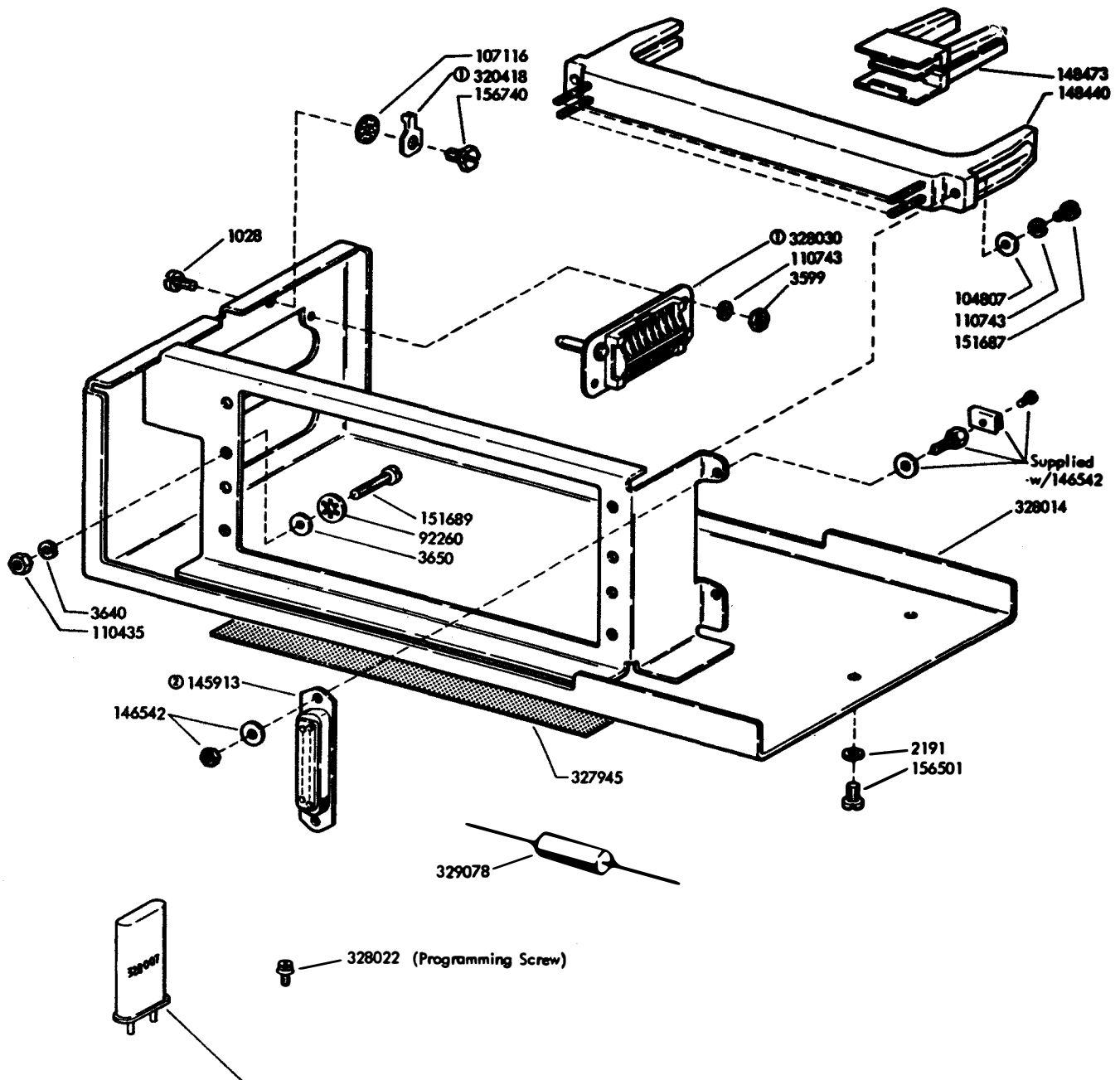


Figure 7-232. Numbering Module Chassis, Used on Low-Level Sets



CRYSTAL OPTIONS		
Number	Baud	Frequency
328003	75.00	38.400 K Hz
328004	74.20	37.990 K Hz
328005	56.83	29.097 K Hz
328006	50.00	25.672 K Hz
328007	45.53	23.311 K Hz

Numbering Module Component Chart		
Numbering Module		Components and Location
328000	328010	
X	X	330650 Numbering Module w/o card - Fig. 7-233
X	X	322022 Message Counter Card - Fig. 7-255
X	X	322023 Format Scanner Card - Fig. 7-254
X	X	322024 Serialized Card - Fig. 7-256
X		322025 Seizure & Tandem Delay Logic Card - Fig. 7-757

Ⓛ Supplied w/328025 Cable Assembly
 Ⓜ Supplied w/328011 Cable Assembly

Figure 7-233. Numbering Module 330650 Without Circuit Cards, Used on Low-Level Sets

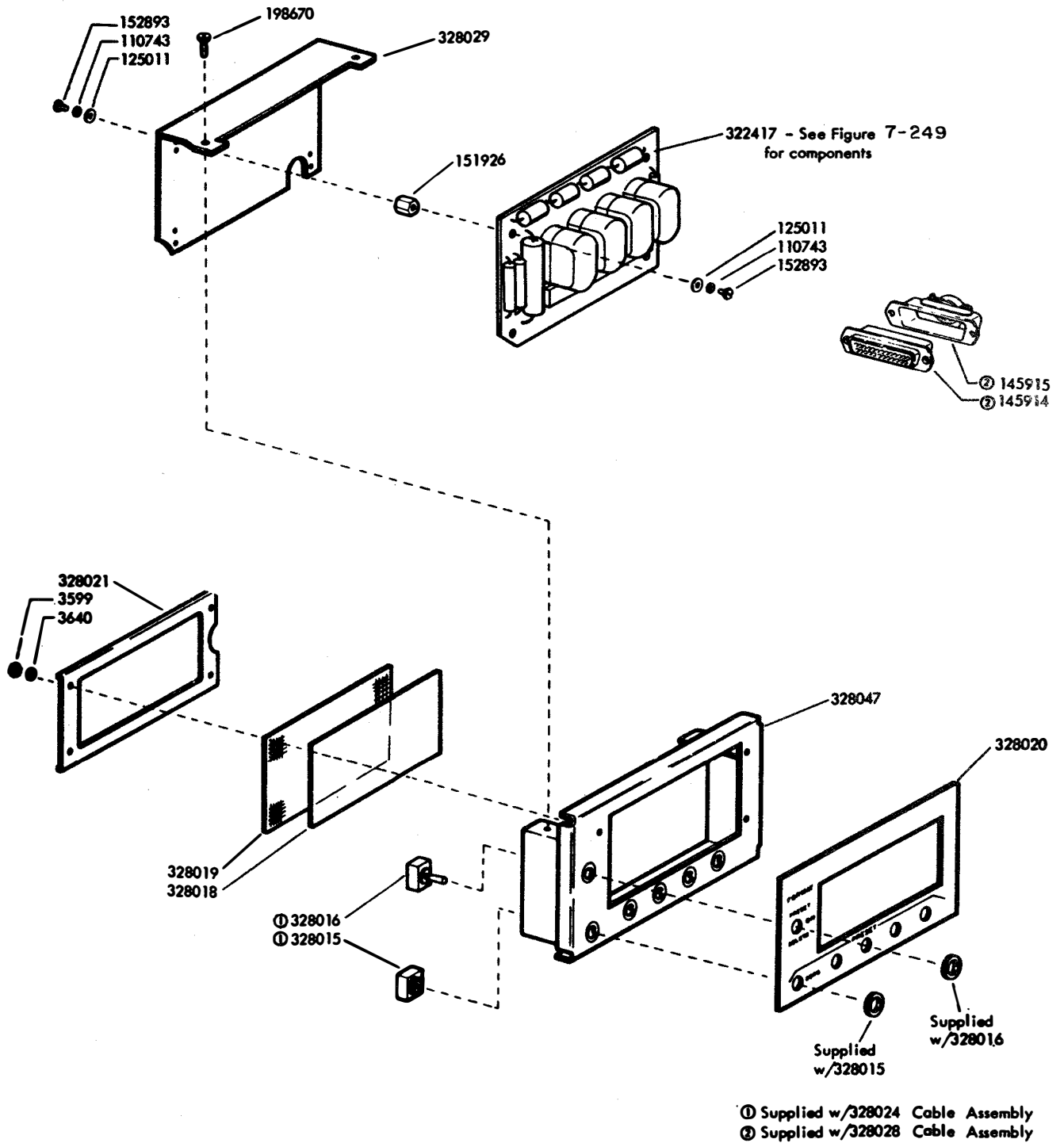


Figure 7-234. Front Plate Assembly, 328017 (Part of 330650, See Figure 7-233), Used on Low-Level Sets

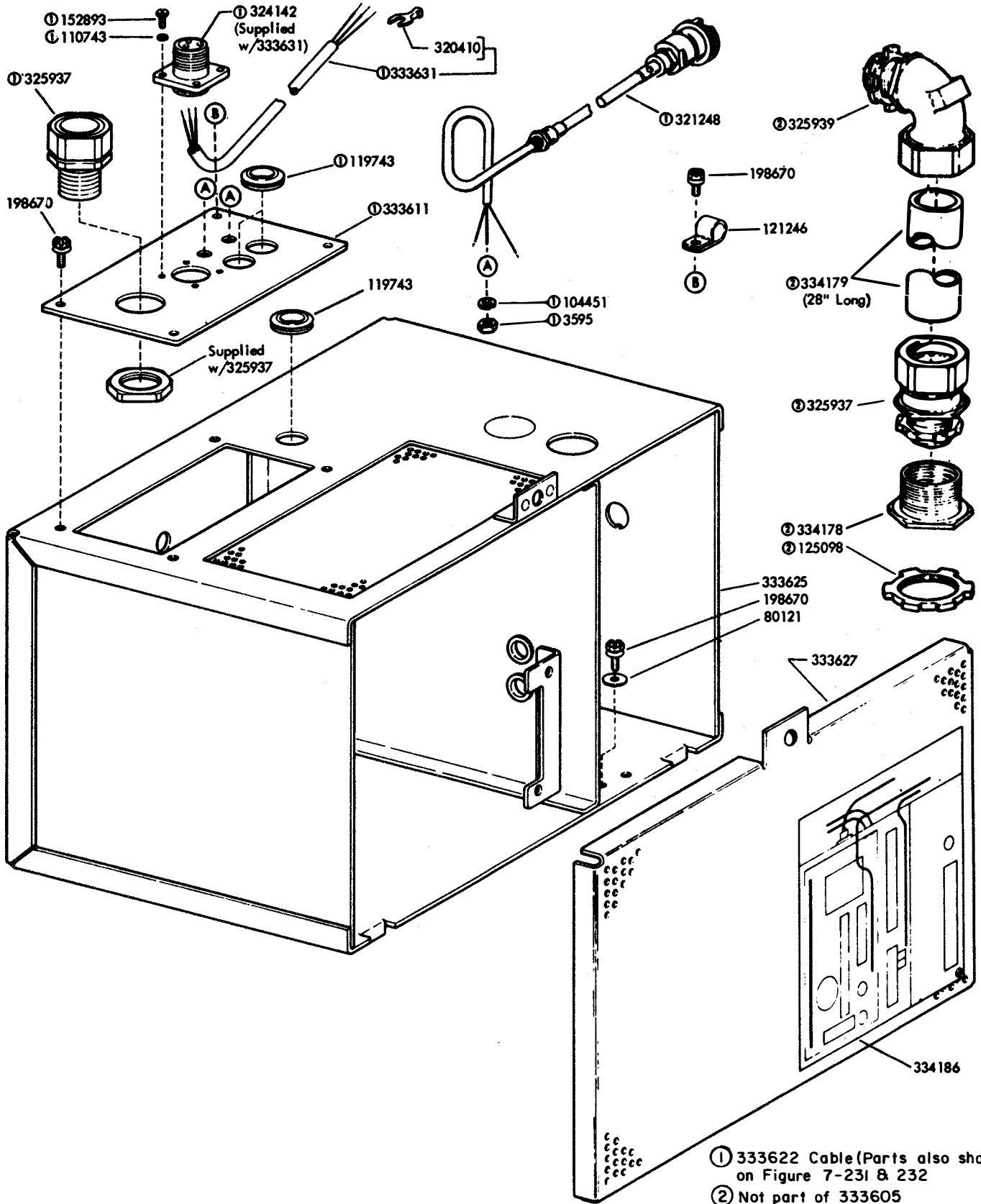


Figure 7-235. Power Supply Assembly 333605 (Part of 336011, See Figure 7-231), Used on Low-Level Sets (Sheet 1 of 2)

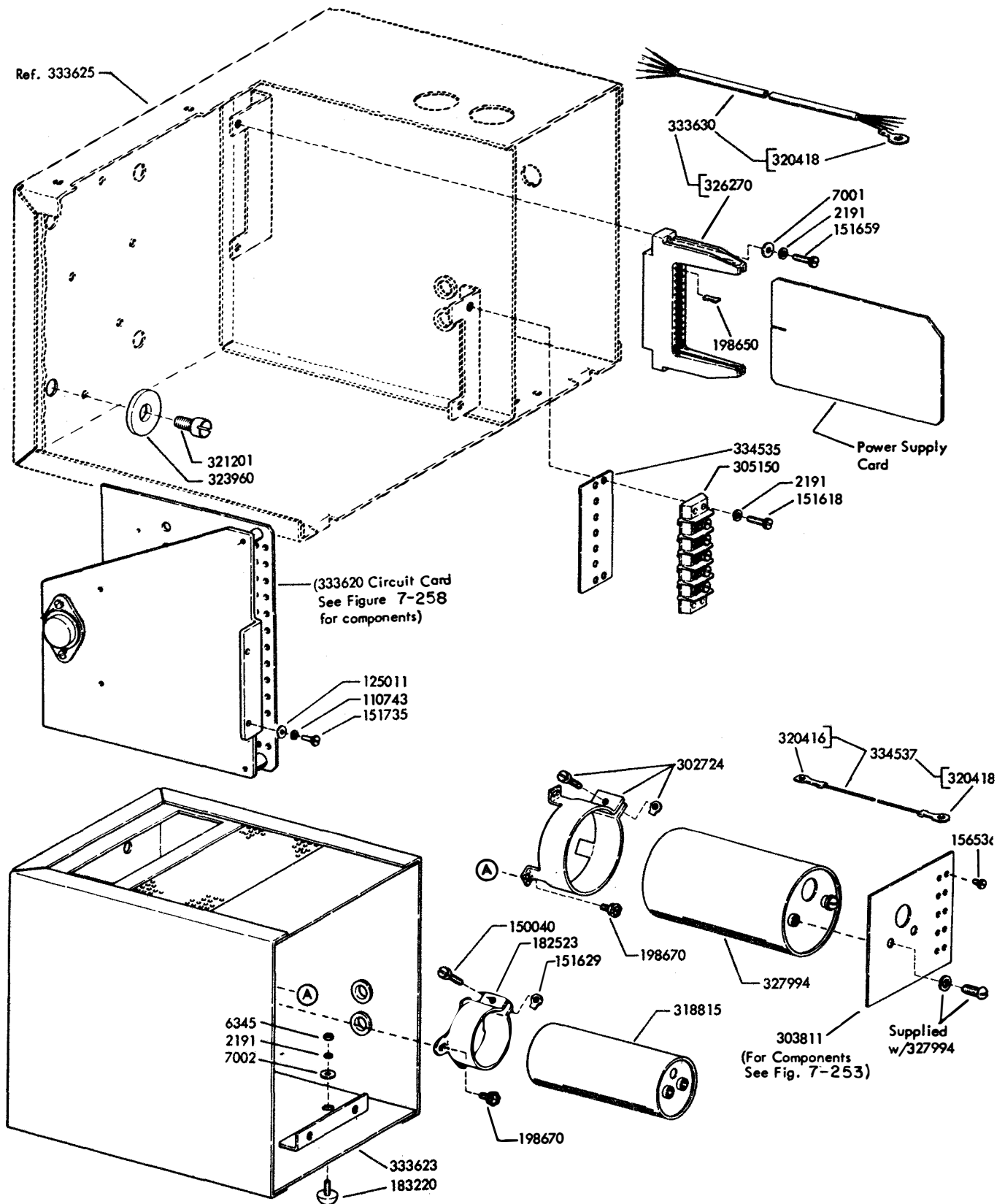
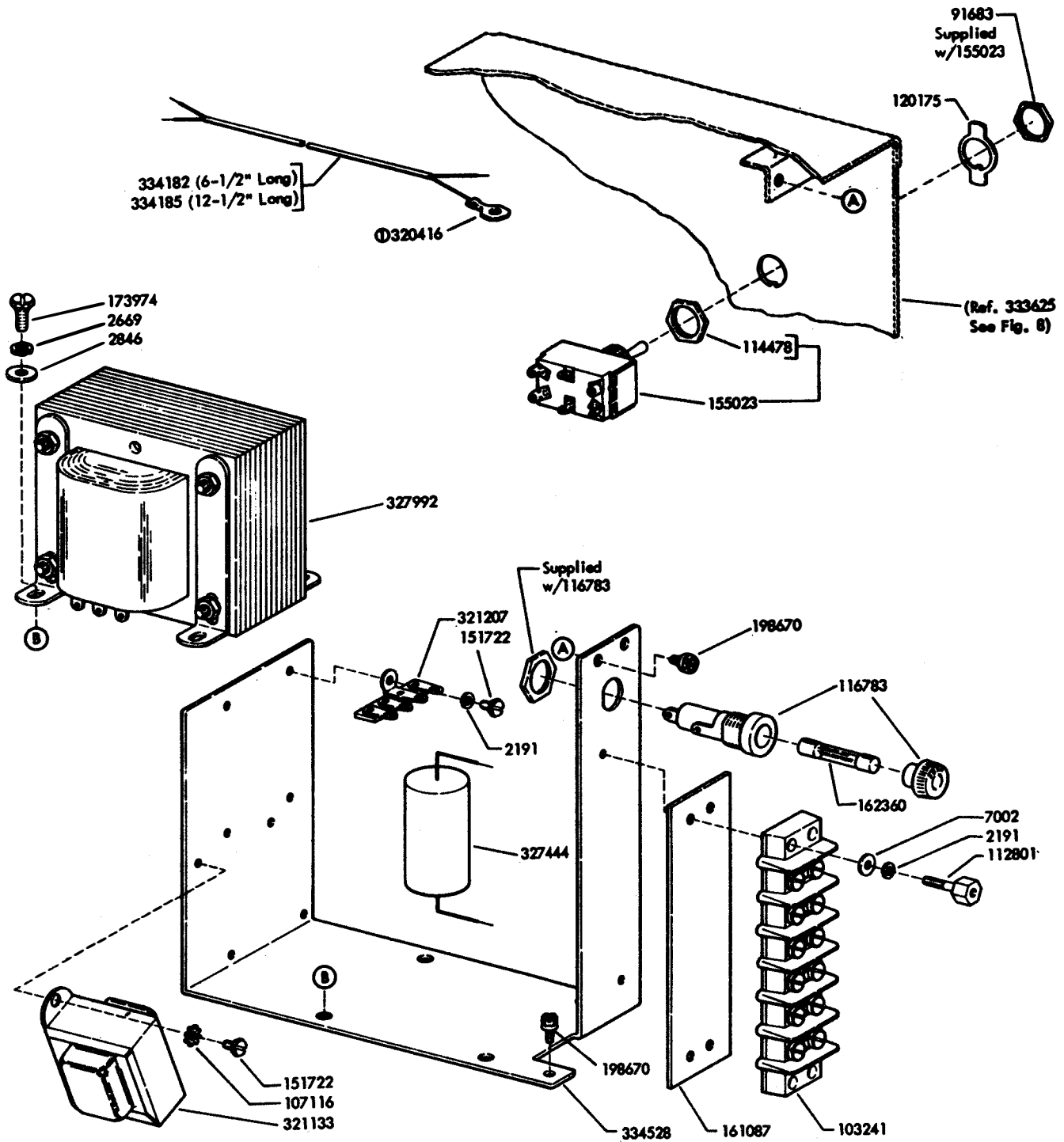


Figure 7-236. Power Supply Assembly 333605 (Part of 336011, See Figure 7-231), Used on Low-Level Sets (Sheet 2 of 2)



Ⓛ Supplied w/334182 and 334185

Figure 7-237. Power Plate Assembly 333621 (Part of 333605, See Figures 7-235 and 7-236), Used on Low-Level Sets

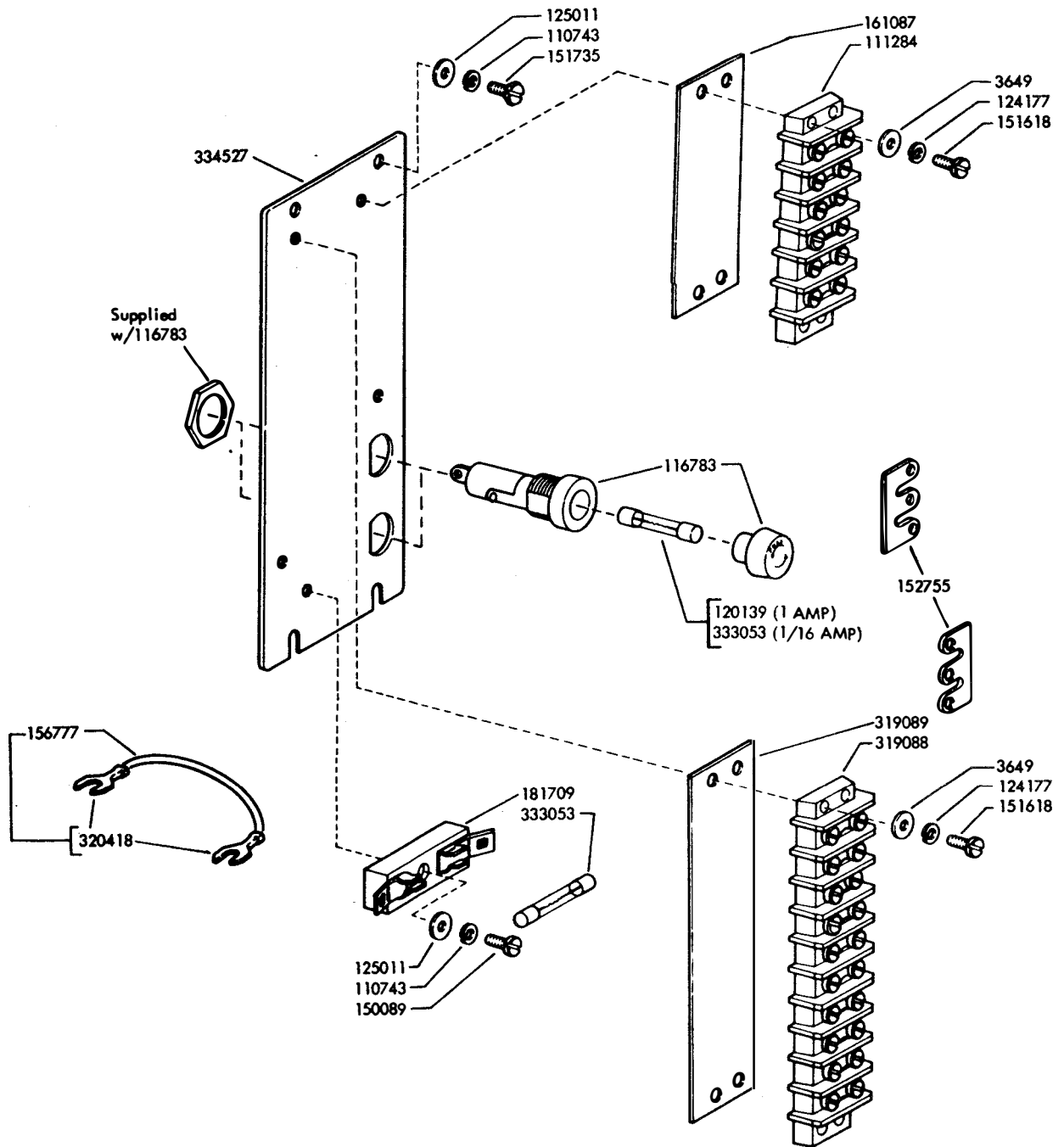


Figure 7-238. Plate Assembly 333610 (Part of 333605, See Figures 7-235 and 7-236), Used on Low-Level Sets

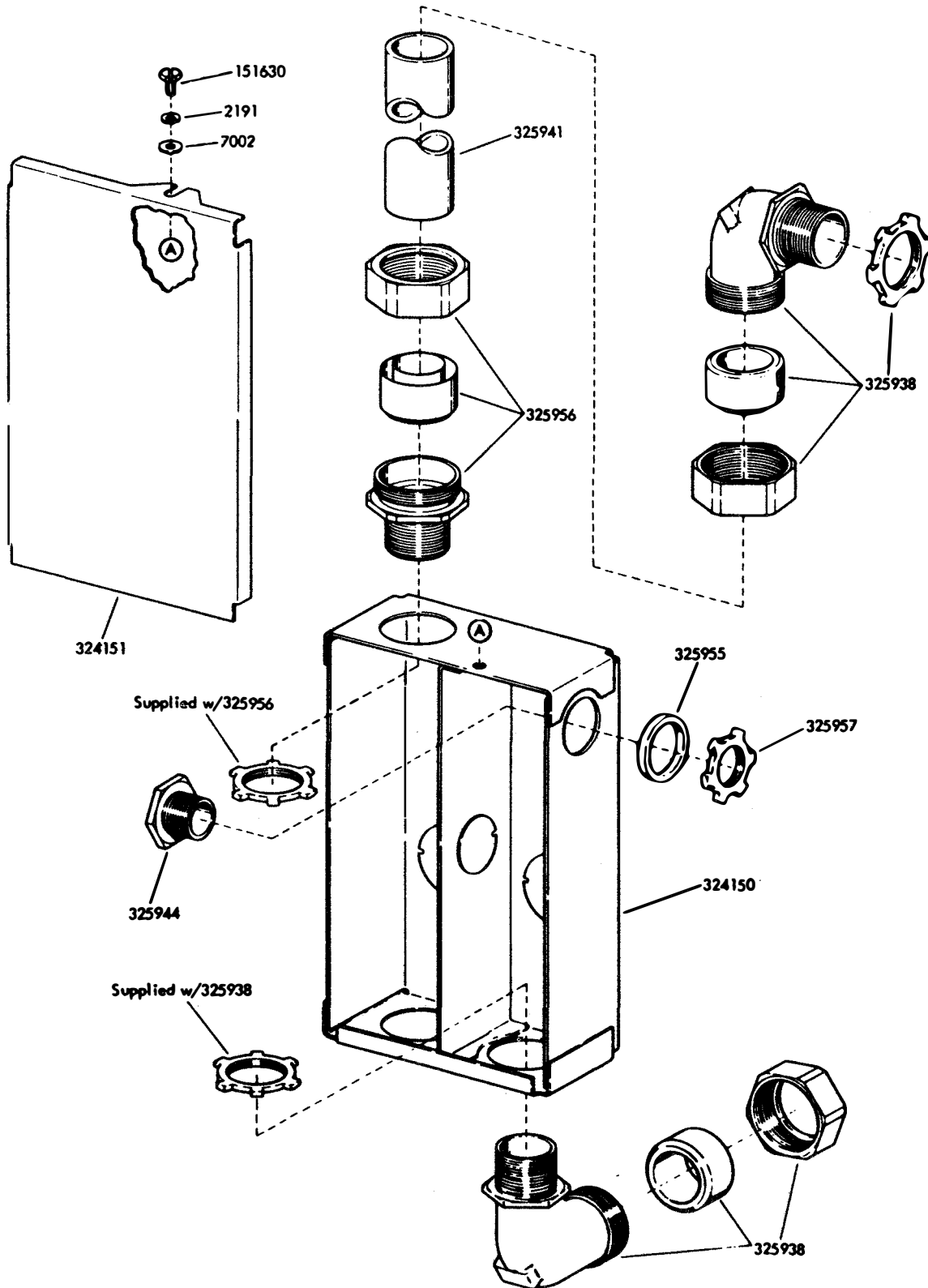


Figure 7-239. Modification Kit 324149 to Add Junction Boxes to Cabinet, Used on Low-Level Sets (Sheet 1 of 2)

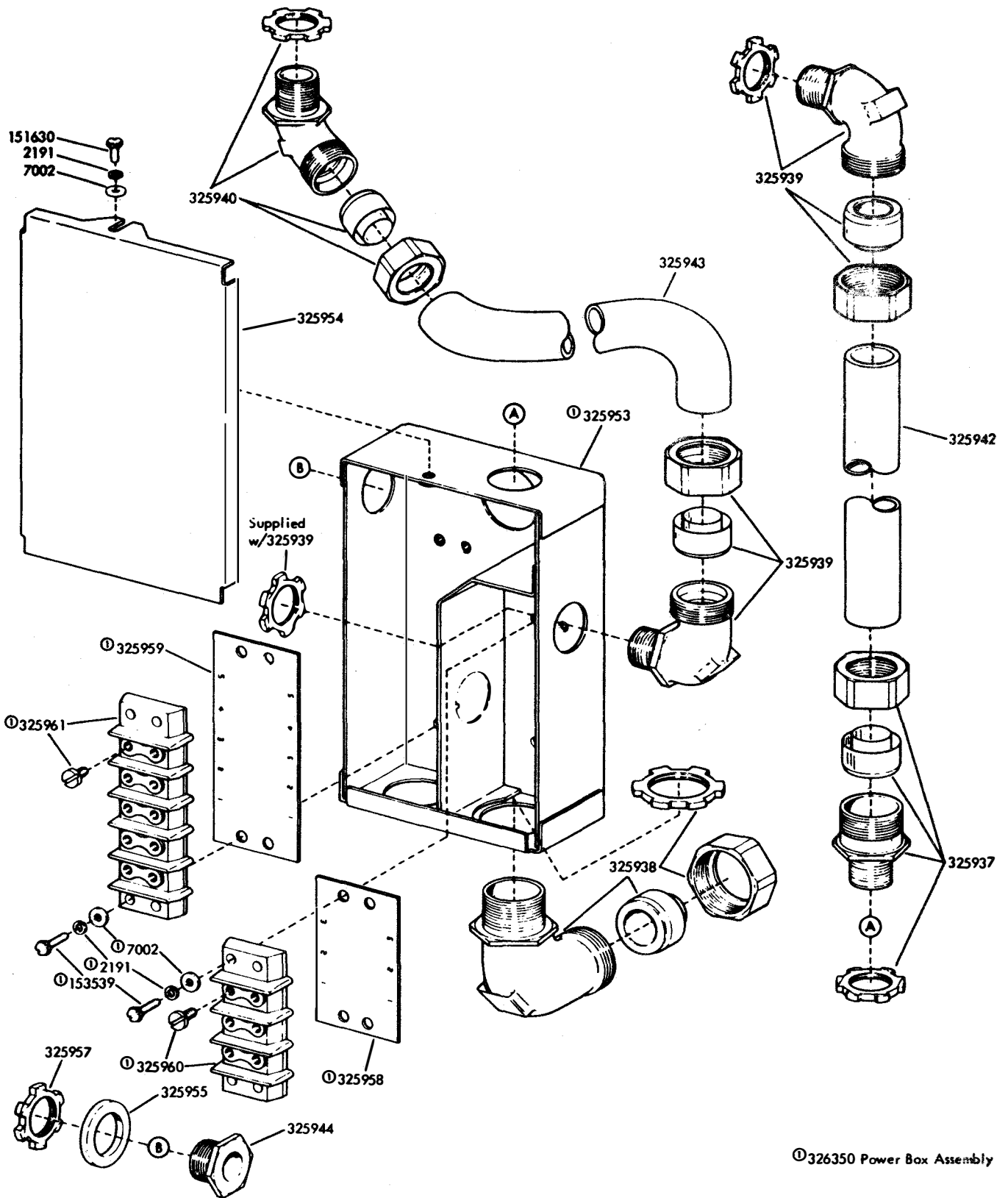


Figure 7-240. Modification Kit 324149 to Add Junction Boxes to Cabinet, Used on Low-Level Sets (Sheet 2 of 2)

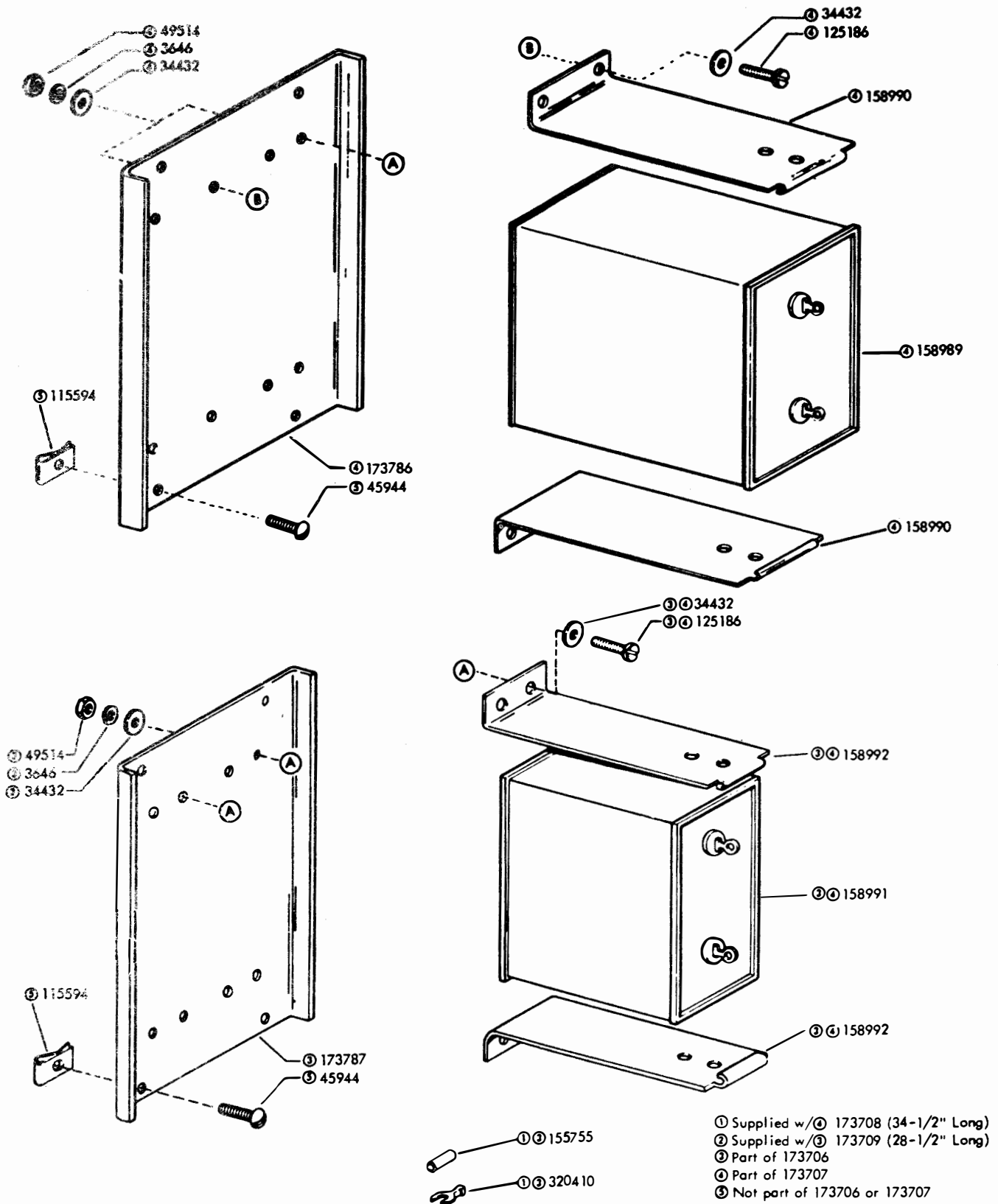


Figure 7-241. Modification Kits 173706 and 173707 to Add Power Factor Correction to Cabinet, Used on Low-Level Sets

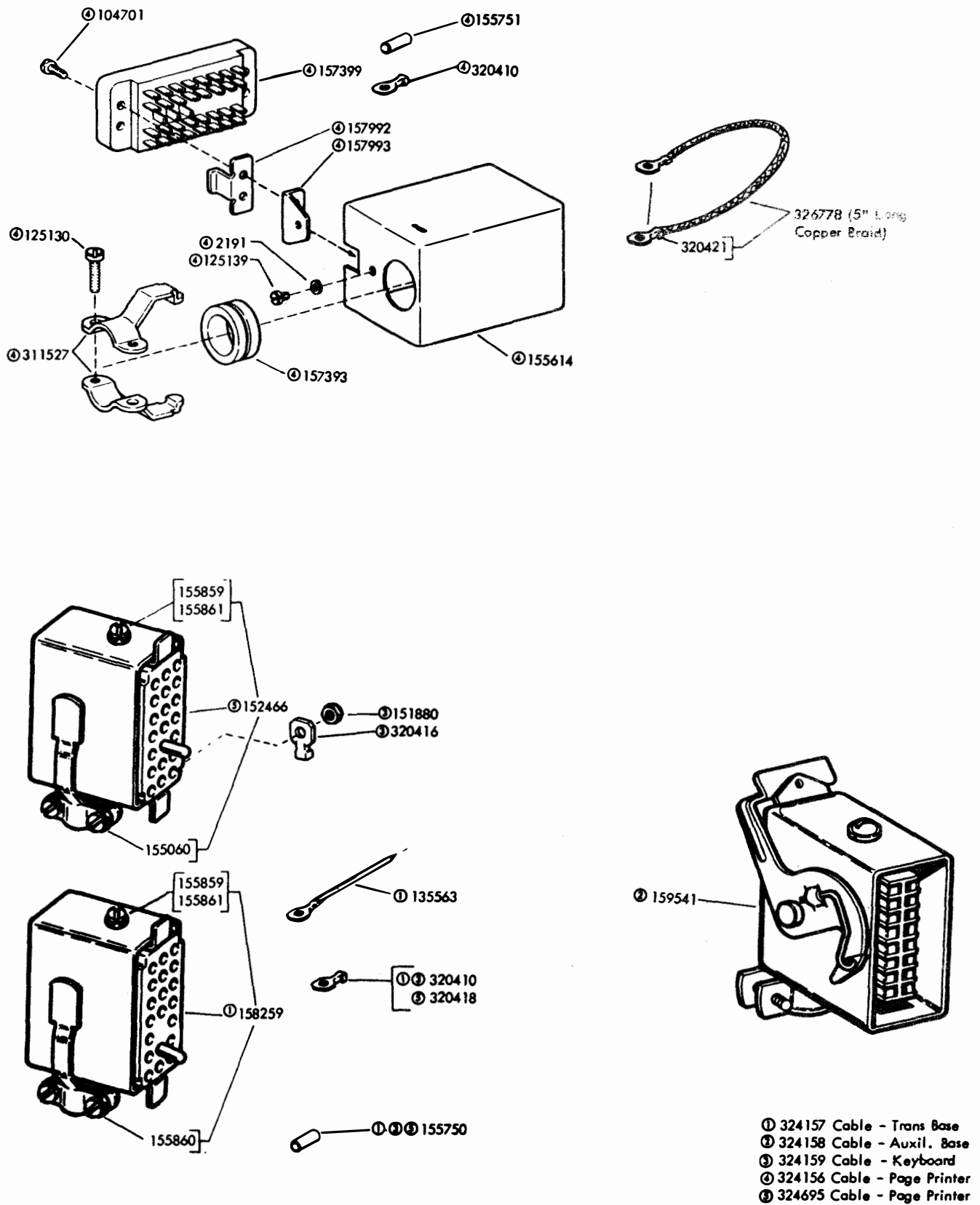


Figure 7-242. Cable Components for Automatic Send-Receive Cabinet, Used on Low-Level Sets

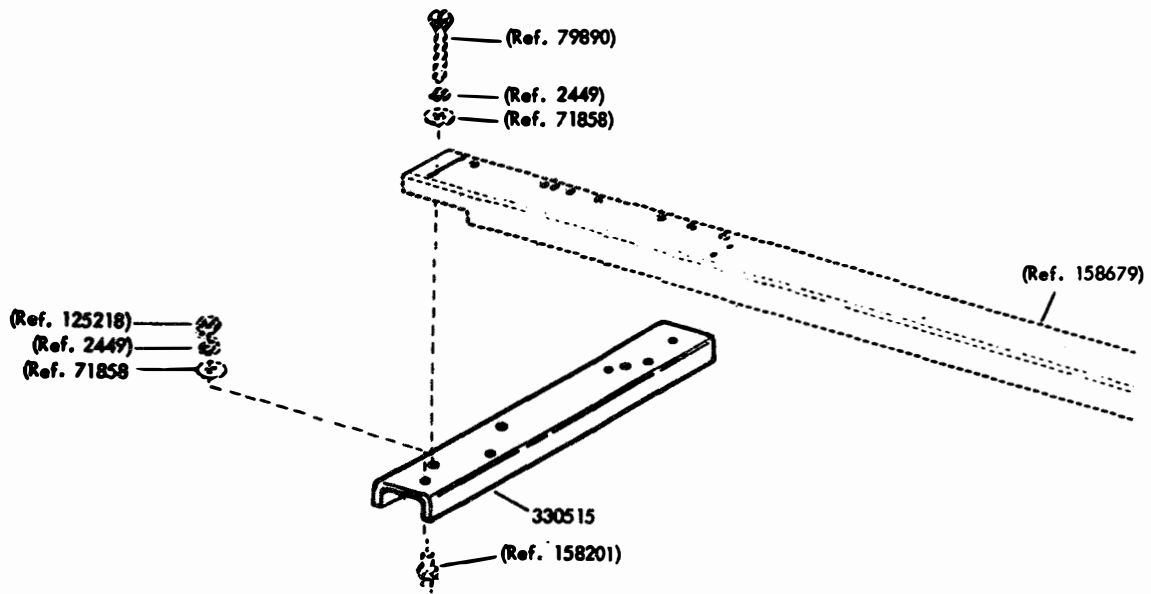


Figure 7-243. Mounting Rails for Automatic Send-Receive Cabinet, Used on Low-Level Sets

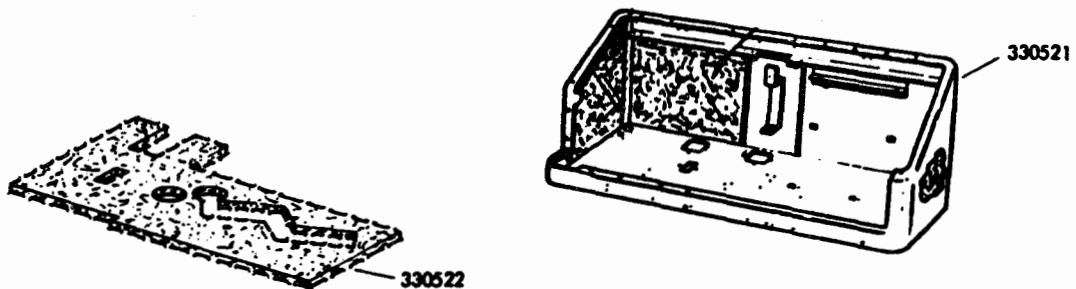


Figure 7-244. Table Mounted Cabinet and Pad, Used on Low-Level Sets

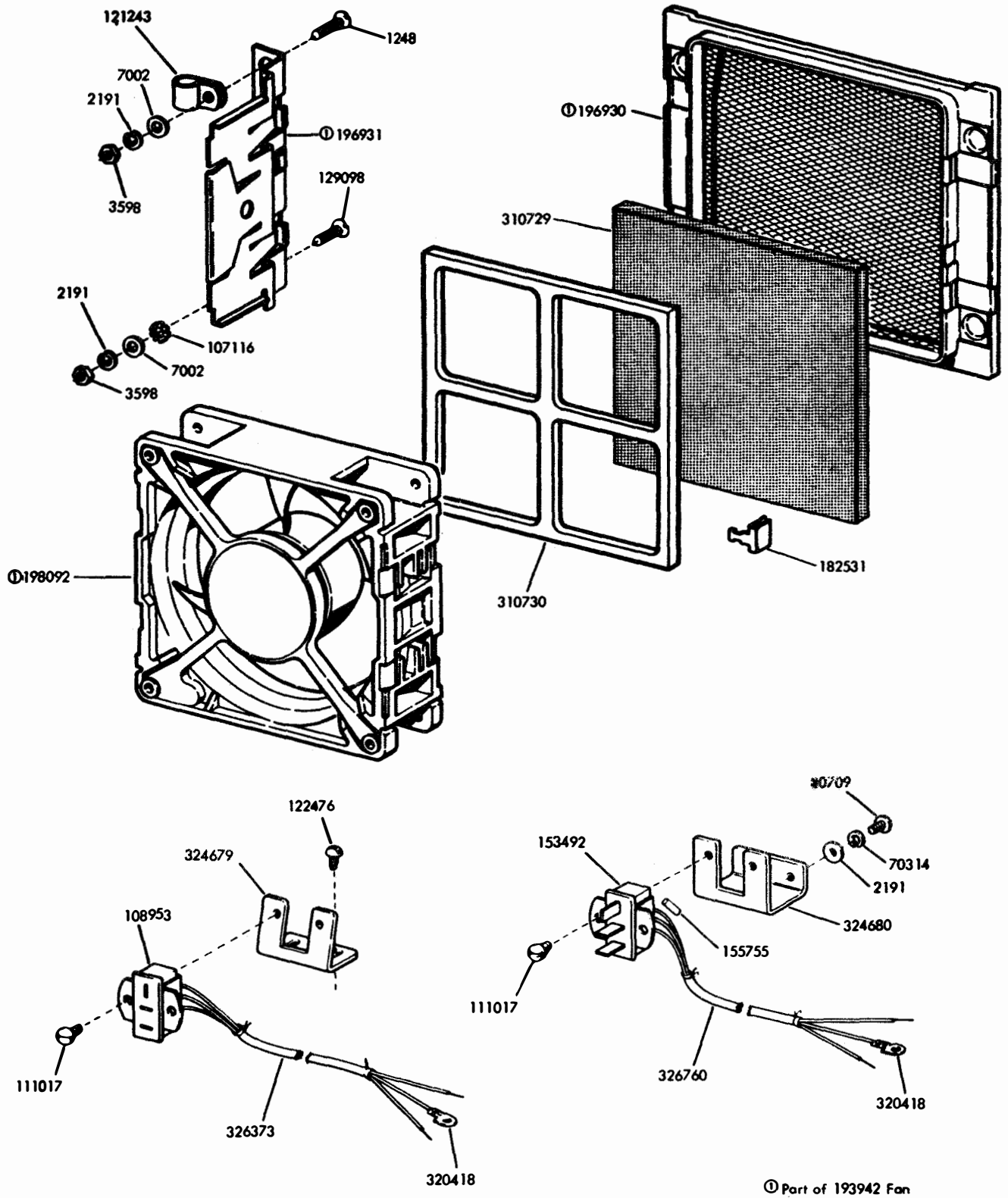


Figure 7-245. Modification Kit 324677 to Add Fan To Cabinet, Used on Low-Level Sets

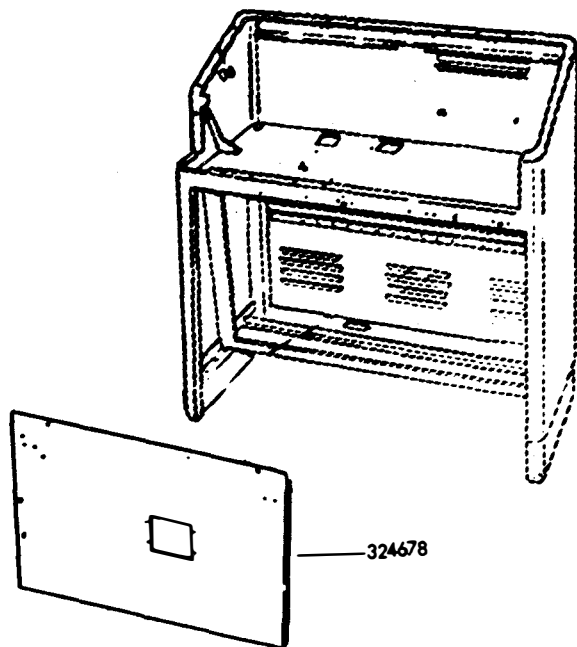


Figure 7-246. Front Panel Fan Mounting, Used on Low-Level Sets

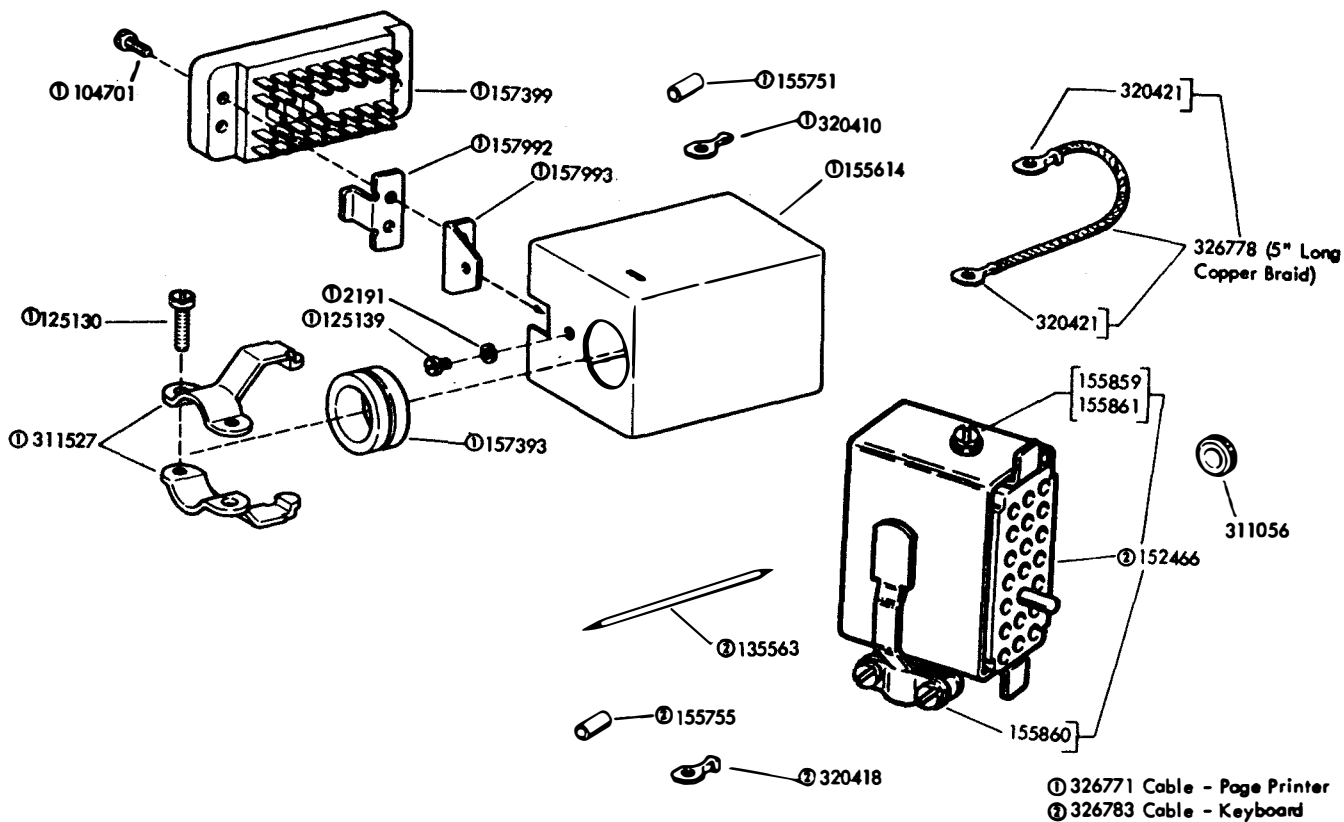
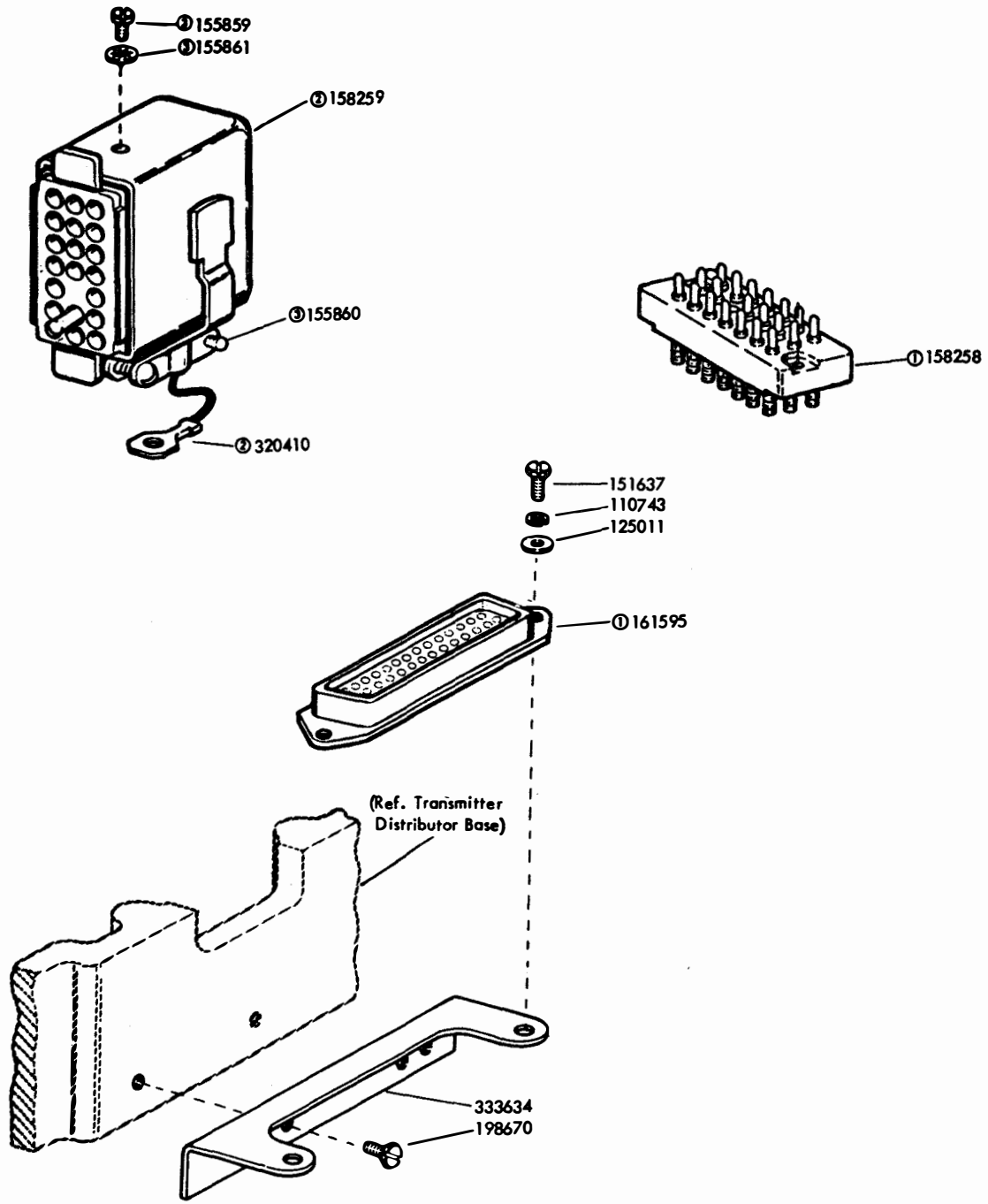


Figure 7-247. Cable Components, Keyboard Send-Receive Cabinet, Used on Low-Level Sets



- ① 333633 Cable Assembly
- ② 334534 Cable Assembly
- ③ Supplied w/158259

Figure 7-248. Components for Transmitter Distributor Base, Used on Low-Level Sets

Reference Designation	Part No.	Description
R1	137602	Resistor, 470 Ohm
R2,3,4&5	118197	Resistor, 47,000 OHM
R6	118169	Resistor, 1 Meg Ohm
C1	327969	Capacitor, .01 MFD
V1,2,3&4	328002	Tube, Readout
CR1	181653	Diode, 1N645
XV1,2,3&4	328001	Socket, Tube

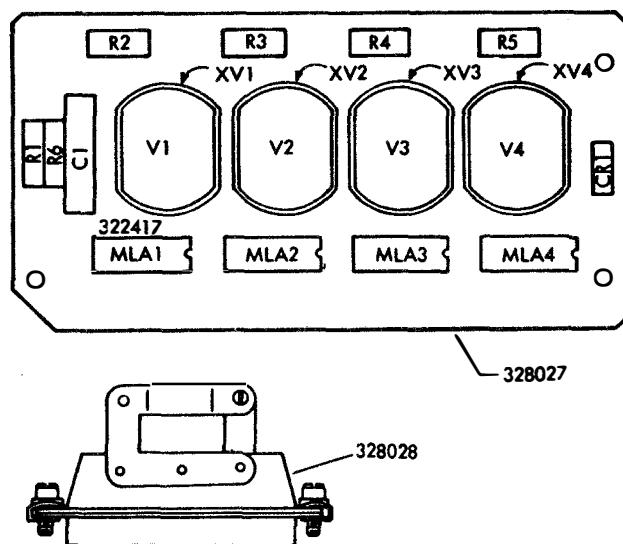
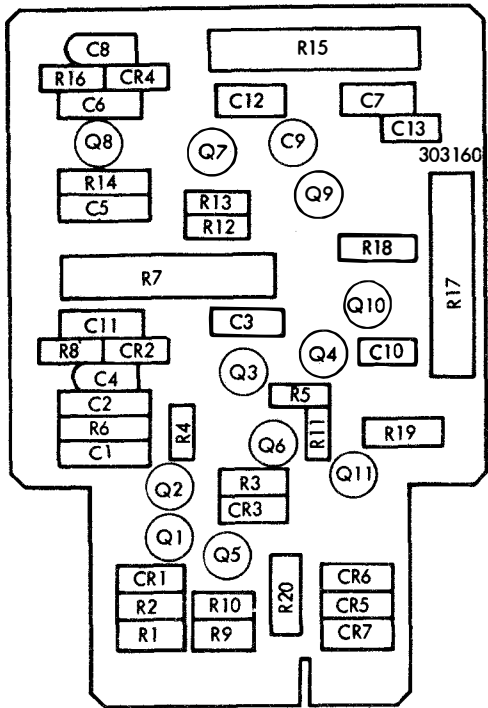


Figure 7-249. Four-Digit Display Circuit Card with Cable 322417, Used on Low-Level Sets



Reference Designation	Part No.	Description
R1, 4, 9 & 12	323148	Resistor, 18,000 Ohm
R2 & 10	330643	Resistor, 56,000 Ohm
R3 & 11	323147	Resistor, 36,000 Ohm
R5 & 13	315955	Resistor, 2200 Ohm
R6 & 14	178863	Resistor, 3300 Ohm
R7, 15 & 17	193229	Resistor, 300 Ohm
R8 & 16	315957	Resistor, 3300 Ohm
R18	118180	Resistor, 10,000 Ohm
R19	120424	Resistor, 4300 Ohm
R20	327793	Resistor, 18 Ohm
C1, 2, 3, 5, 6, 7, 11 & 12	330593	Capacitor, .02 MFD
C4 & 8	321264	Capacitor, 2.7 MFD
C9, 10 & 13	321157	Capacitor, 500 PF
CR1, 3, 5, & 6	321156	Diode, 1N482A
CR2 & 4	321154	Diode, 1N457A
CR7	321161	Diode
Q1, 2, 5 & 6	315930	Transistor
Q3, 7 & 10	302865	Transistor
Q4 & 8	321261	Transistor
Q9	323844	Transistor
Q11	323845	Transistor

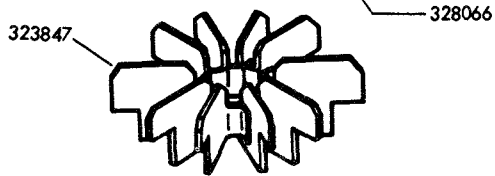
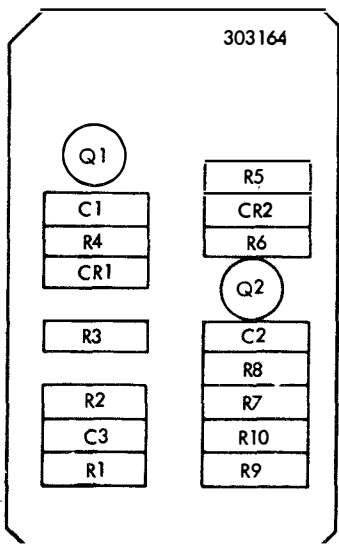


Figure 7-250. Dual-Circuit Magnet Drive Circuit Card 303160, Used on Low-Level Sets



Reference Designation	Part No.	Description
R1	330644	Resistor, 390,000 Ohm
R2	118156	Resistor, 56,000 Ohm
R3	330642	Resistor, 1,300,000 Ohm
R4	118166	Resistor, 560,000 Ohm
R5, 6, 7	118177	Resistor, 22,000 Ohm
R8	137438	Resistor, 100 Ohm
R9	165072	Resistor, 9100 Ohm
R10	137441	Resistor, 1200 Ohm
C1	315976	Capacitor, 470 PF
C2	310926	Capacitor, .15 MFD
C3	312385	Capacitor, .1 MFD
CR1, 2	197464	Diode, 1N914
Q1, 2	323934	Transistor, 2N3565

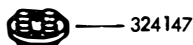
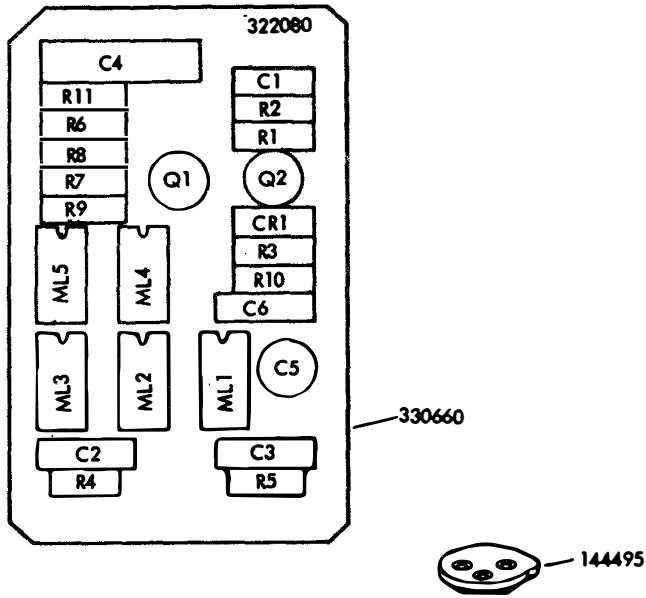
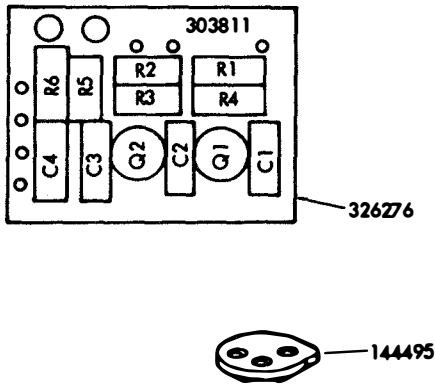


Figure 7-251. Clock Amplifier Circuit Card 303164, Used on Low-Level Sets



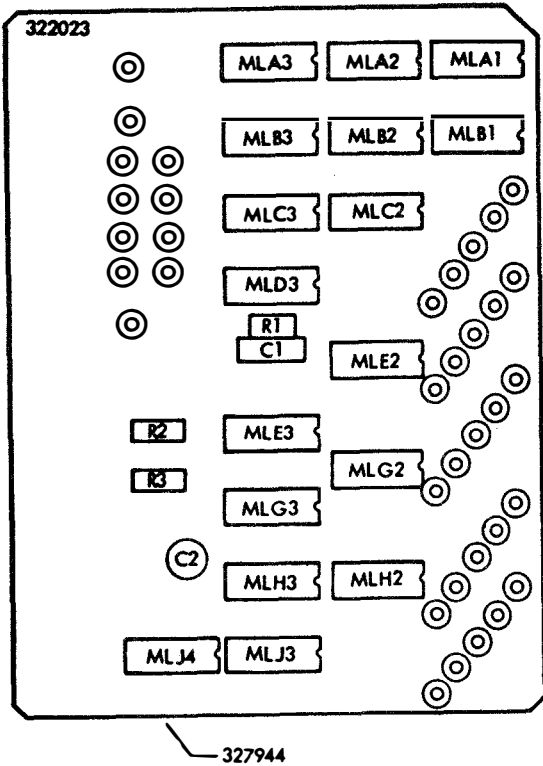
Reference Designation	Part No.	Description
R1,2	137441	Resistor, 1,200 Ohm
R3	118153	Resistor, 33,000 Ohm
R4,5,10	129856	Resistor, 150 Ohm
R6	145032	Resistor, 3,900,000 Ohm
R7	118185	Resistor, 3,300,000 Ohm
R8	118189	Resistor, 1,800,000 Ohm
R9	137438	Resistor, 100 Ohm
R11	120120	Resistor, 20,000,000 Ohm
C1	315976	Capacitor, 470 PF
C2,3,6	181618	Capacitor, .01 MFD
C4	320047	Capacitor, 2 MFD
C5	312385	Capacitor, .1 MFD
CR1	197464	Diode, 1N914
Q1	327946	Transistor, D13T2
Q2	315930	Transistor, 2N3568

Figure 7-252. Line Assurance Circuit Card 322080, Used on Low-Level Sets



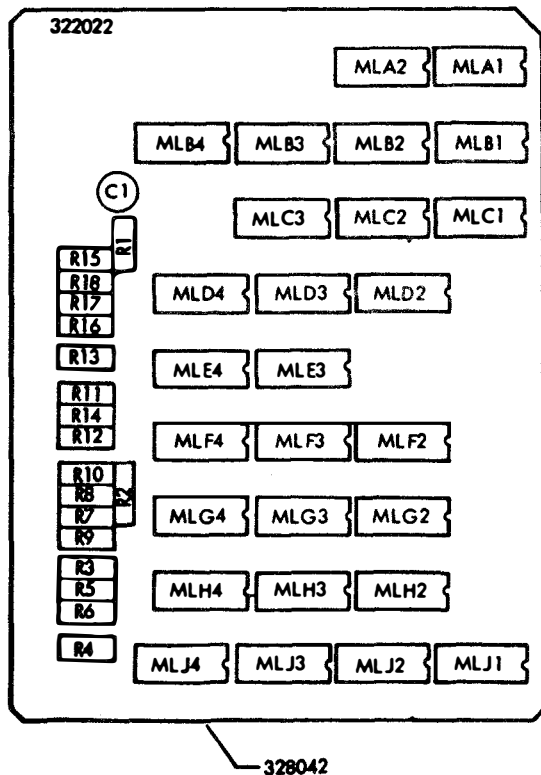
Reference Designation	Part No.	Description
R1,2	315955	Resistor, 2,200 Ohm
R3,4	321545	Resistor, 12,000 Ohm
R5,6	315948	Resistor, 100 Ohm
C1,2,3,4	312385	Capacitor, .1 MFD
Q1,2	315930	Transistor, 2N3568

Figure 7-253. Contact Latch and Filter Circuit Card 303811, Used on Low-Level Sets



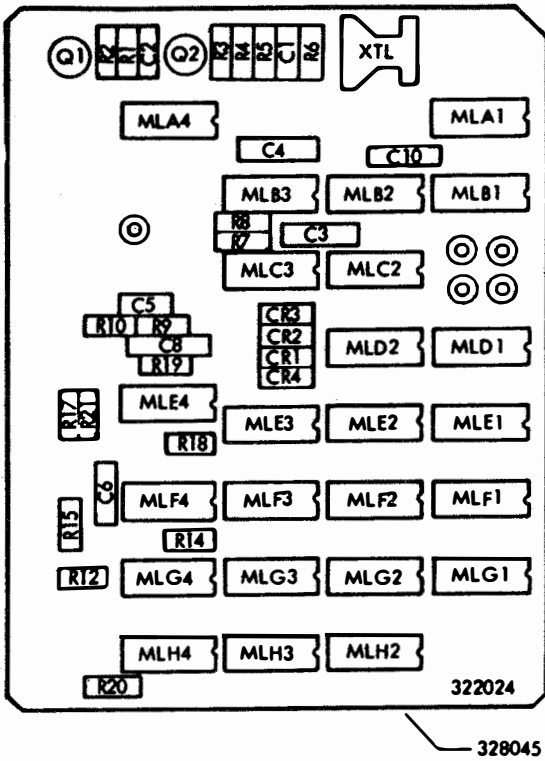
Reference Designation	Part No.	Description
C1	315939	Capacitor ,.002 MFD
C2	312385	Capacitor ,.1 MFD
R1	330640	Resistor , 150 Ohm
R2&3	321510	Resistor , 51,000 Ohm

Figure 7-254. Format Scanner Circuit Card 322023, Used on Low-Level Sets



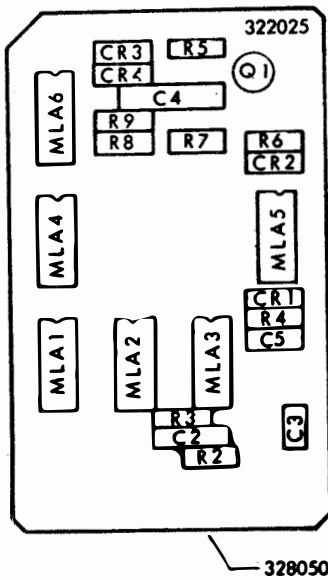
Reference Designation	Part No.	Description
C1	312385	Capacitor ,.1 MFD
R1	321510	Resistor , 51,000 Ohm
R2	315959	Resistor , 4700 Ohm
R3 To R18	315955	Resistor , 2200 Ohm

Figure 7-255. Message Counter Circuit Card 322022, Used on Low-Level Sets



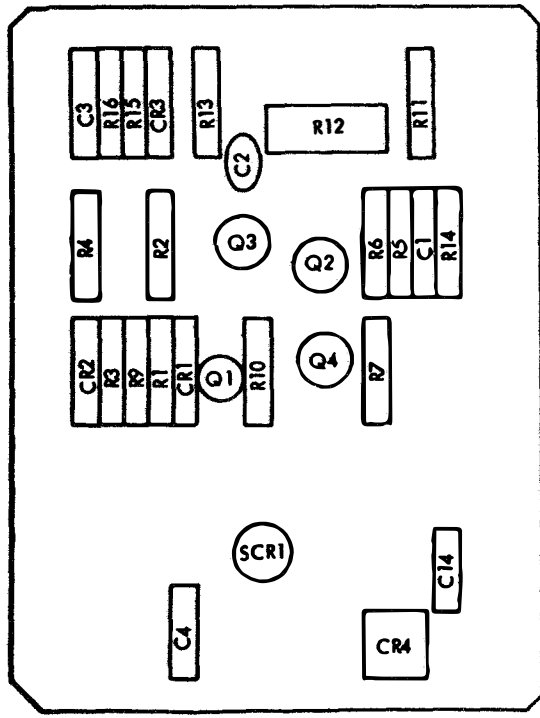
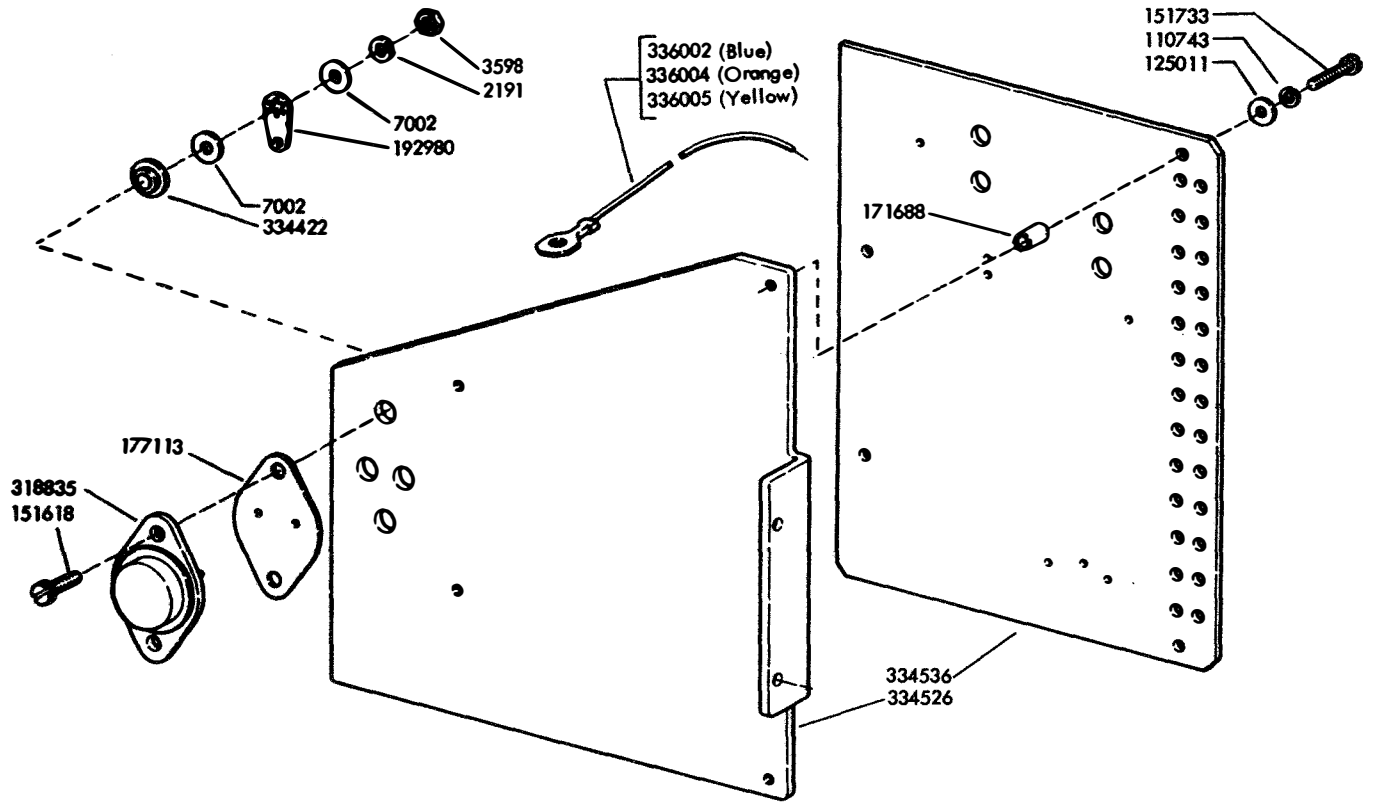
Reference Designation	Part No.	Description
R1, 12, 15, 18 & 20	315956	Resistor , 2700 Ohm
R2	321510	Resistor , 51,000 Ohm
R3	315959	Resistor , 4700 Ohm
R4	315974	Resistor , 300,000 Ohm
R5	315947	Resistor , 51 Ohm
R6	321545	Resistor , 12,000 Ohm
R7, 8, 14 & 19	330640	Resistor , 150 Ohm
R9, 10, 17 & 21	315960	Resistor , 5600 Ohm
C1 & 5	315976	Capacitor , 470 MFD
C2	310926	Capacitor , .15 MFD
C3, 4, 6, & 8	300370	Capacitor , .01 MFD
C10	312385	Capacitor , .1 MFD
CR1, 2, 3 & 4	197464	Diode , 1N914
Q1 & 2	315930	Transistor , 2N3568
	144495	Pad, Transistor Mounting
XTL	328043	Socket, Crystal
	328022	Screw

Figure 7-256. Serialization Circuit Card 322024, Used on Low-Level Sets



Reference Designation	Part No.	Description
R3, 5 & 9	330640	Resistor , 150 Ohm
R2 & 4	321510	Resistor , 51,000 Ohm
R6	330645	Resistor , 560,000 Ohm
R7	315972	Resistor , 22,000 Ohm
R8	318801	Resistor , 47,000 Ohm
C2	300370	Capacitor , .01 MFD
C3	312385	Capacitor , .1 MFD
C4	320048	Capacitor , .5 MFD
C5	319999	Capacitor , .01 MFD
CR1 & 2	181653	Diode , 1N645
CR3 & 4	197464	Diode , 1N914

Figure 7-257. Seizure and Tandem Delay Logic Circuit Card 322025, Used on Low-Level Sets



Reference Designation	Part No.	Description
R1	182180	Resistor, 200 Ohm
R2,6,14	118725	Resistor, 270 Ohm
R3	137601	Resistor, 68 Ohm
R4	321150	Resistor, 549 Ohm
R5,10,13,16	137438	Resistor, 100 Ohm
R7	137441	Resistor, 1200 Ohm
R9	118727	Resistor, 47 Ohm
R11,15	178861	Resistor, 27 Ohm
R12	300024	Resistor, 100 Ohm
C1,3,4	182628	Capacitor, 10 MFD
C2	312385	Capacitor, .1 MFD
C14	194690	Capacitor, 2 MFD
CR1	312922	Diode, 1N4733A
CR2	315894	Diode, 1N4370A
CR2	321135	Diode, 1N4735A
CR4	326292	Diode
SCR1	324662	Rectifier
Q1	321261	Transistor, 2N4036
Q2,3,4	321145	Transistor, 2N2270

Figure 7-258. Power Supply Circuit Card 333620, Used on Low-Level Sets

Modifi- cation Kit Number	Part Number	Description	Quantity	Figure Number	Speci- cation Number
160887		Modification Kit to adapt a Model 28 cabinet (LAAC209) for use with a trans- mitter distributor (LXD)			5885S
	2191	Lockwasher	10	7-210	
	3598	Nut, 6-40 Hex	6	7-210	
	7002	Washer, Flat	10	7-210	
	82730	Screw, 10-32 Shldr	1	7-210	
	151631	Screw, 6-40 x 5/16 Hex	2	7-210	
	151693	Screw, 6-40 x 9/16 Fil	2	7-210	
	154485	Housing	1	7-210	
	154486	Spring, Detent	2	7-210	
	154487	Plate	1	7-210	
	154490	Crossbar, Left Side	1	7-210	
	154492	Plate, Nut	1	7-210	
	160291	Plate	1	7-210	
160888		Modification Kit to adapt a Model 28 cabinet (LAAC209) for use with a trans- mitter distributor (LBXD)			5885S
	2191	Lockwasher	10	7-210	
	3598	Nut, 6-40 Hex	6	7-210	
	7002	Washer, Flat	10	7-210	
	82730	Screw, 10-32 Shldr	1	7-210	
	151631	Screw, 6-40 x 5/16 Hex	2	7-210	
	151693	Screw, 6-40 x 9/16 Fil	2	7-210	
	151827	Strap, Terminal	9	7-209	
	154486	Spring, Detent	1	7-210	
	154492	Plate, Nut	1	7-210	
	159394	Modification Kit	1	7-209	
	160286	Crossbar	7-210		
	160290	Plate	1	7-210	
	160291	Plate	1	7-210	
	160293	Cover	1	7-210	
	160372	Cable Assembly	1		

Figure 7-259. Modification Kits for Transmitter Distributor
(Sheet 1 of 2)

160889	160976	Spring, Detent Modification Kit to adapt a Model 28 cabinet (LAAC210) for use with a transmitter distributor (LCXD)	1	7-210 5885S	7002	Washer, Flat	4	7-190 7-210	123969	Holder, Cable	1	7-199	179493	Guide, Tape	1	7-210
					82730	Screw, 10-32 Shldr	1	7-210	125014	Washer, Flat	4	7-199				
					115594	Nut, Speed	2	7-210	139158	Connector, Duplex Rcpt	1	7-202	179417	Modification Kit to adapt a Model 28 cabinet (LAAC232) for use with a transmitter distributor (LBXD)		5885S
					151631	Screw, 6-40 x 5/16 Hex	2	7-210	151572	Lockwasher	1					
					151657	Screw, 6-40 x 1/4 Fil	2	7-199	151657	Screw, 6-40 x 1/4 Fil	7	7-199				
	1253	Screw, 8-32 x 3/8 Pd	2	7-210	154492	Plate, Nut	1	7-210	157215	Mount, Vibration	4	7-199				
	2191	Lockwasher	15	7-210	158646	Bracket Mtg	1	7-210	158637	Screw, 10-32 Thumb	4	7-199				
	3598	Nut, 6-40 Hex	3	7-210	158648	Chute, Tape	1	7-199	158652	Nut, Speed	2	7-199	2191	Lockwasher	10	7-210
	6344	Screw, 6-32 x 11/32 Hex	2	7-199	158693	Crossbar	1	7-210	158660	Door Assembly, Tapewinder	1	7-199	3598	Nut, 6-40 Hex	6	7-210
					158697	Plate, Designation	1	7-199	158663	Stud	2	7-199	7002	Washer, Flat	10	7-210
	7002	Washer, Flat	13	7-210					158664	Bracket	1	7-199	82730	Screw, 10-32 Shldr	1	7-210
	82730	Screw, 10-32 Shldr	1	7-199	162234	Modification Kit to add tape storage and tape winding facilities to LAAC209 cabinet		5908S	158665	Partition	1	7-199	151631	Screw, 6-40 x 5/16 Hex	2	7-210
	111017	Screw, 6-40 x 5/16 Fil	4	7-210					158666	Box, Outlet	1	7-202	151693	Screw, 6-40 x 9/16 Fil	2	7-210
	115594	Nut, Speed	2	7-210					158667	Tray, Tapewinder	1	7-199				
	151631	Screw, 6-40 x 5/16 Hex	2	7-210					158669	Stud	4	7-199	154486	Spring, Detent	1	7-210
	151657	Screw, 6-40 x 1/4 Fil	2	7-199					158671	Connector, 3PT Rcpt	1	7-202	154492	Plate, Nut	1	7-210
	151693	Screw, 6-40 x 9/16 Fil	2	7-210	1253	Screw, 8-32 x 3/8 Rd	9	7-199	159329	Cable	1	7-202	160286	Crossbar	1	7-210
	154492	Plate, Nut	1	7-210	2191	Lockwasher	14	7-202	162243	Bin Assembly, Tape	1		160290	Plate	1	7-210
	158645	Crossbar	1	7-210	2669	Lockwasher	4	7-199					160291	Plate	1	7-210
	158646	Bracket, Mtg	1	7-210	3598	Nut, 6-40 Hex	6	7-199	162235	Modification Kit to adapt a Model 28 cabinet (LAAC209) for use with a transmitter distributor		5908S	160293	Cover	1	7-210
	158648	Chute, Tape	1	7-190	3639	Lockwasher	10	7-199					160976	Spring, Detent	1	7-210
	158683	Bracket, Housing	1	7-210	7002	Washer, Flat	14	7-199					162244	Modification Kit to convert LAAC209 cabinet for tape winding and tape storage consists of 162234 and 162235 modification kits		
	158684	Cover	1	7-210	8333	Screw, 10-32 x 3/8 Rd	4	7-199	2191	Lockwasher	13	7-210				
	158685	Housing	1	7-210	84579	Washer, Flat	4	7-199	3598	Nut, 6-40 Hex	9	7-210				
	158686	Plate	1	7-210	103387	Catch	1	7-199	7002	Washer, Flat	12	7-210				
	158697	Plate, Designation	1	7-199	11017	Screw, 6-40 x 5/16 Fil	6	7-199	82730	Screw, 10-32 Shldr	1	7-210				
160890		Modification Kit to adapt a Model 28 cabinet (LAAC310) for use with a transmitter distributor (LAXD)		5885S	112626	Nut, 16-32 Hex	12	7-199	98237	Pin, Long	1	7-210				
					115593	Screw, 10-32 Self-Tapping	9	7-199	151631	Screw, 6-40 x 5/16 Hex	2	7-210				
					115594	Nut, Speed	5	7-199	151693	Screw, 6-40 x 9/16 Fil	2	7-210				
					116783	Holder, Fuse	1	7-199	151827	Strap, Terminal	9	7-208				
	1253	Screw, 8-32 x 3/8 Rd	2	7-210	117535	Washer, Flat	11	7-199	154457	Guide, Tape	1					
	2191	Lockwasher	6	7-199	120557	Washer, Flat	9	7-199	154486	Spring, Detent	1	7-210				
	6344	Screw, 6-32 x 11/32 Hex	2	7-221	121005	Screw, #6 x 3/8 Self-Tapping	2	7-199	154492	Plate, Nut	1	7-210				
					121243	Clamp, 3/16 ID Cable	4	7-199	159394	Modification Kit	1	7-209				
									160286	Crossbar	1	7-210				
									160290	Plate	1	7-210				
									160372	Cable Assembly	1					
									160976	Spring, Detent	1	7-210				
									162236	Cover w/Studs	1	7-210				
									162237	Chute, Tape	1	7-210				

Figure 7-259. Modification Kits for Transmitter Distributor (Sheet 2 of 2)

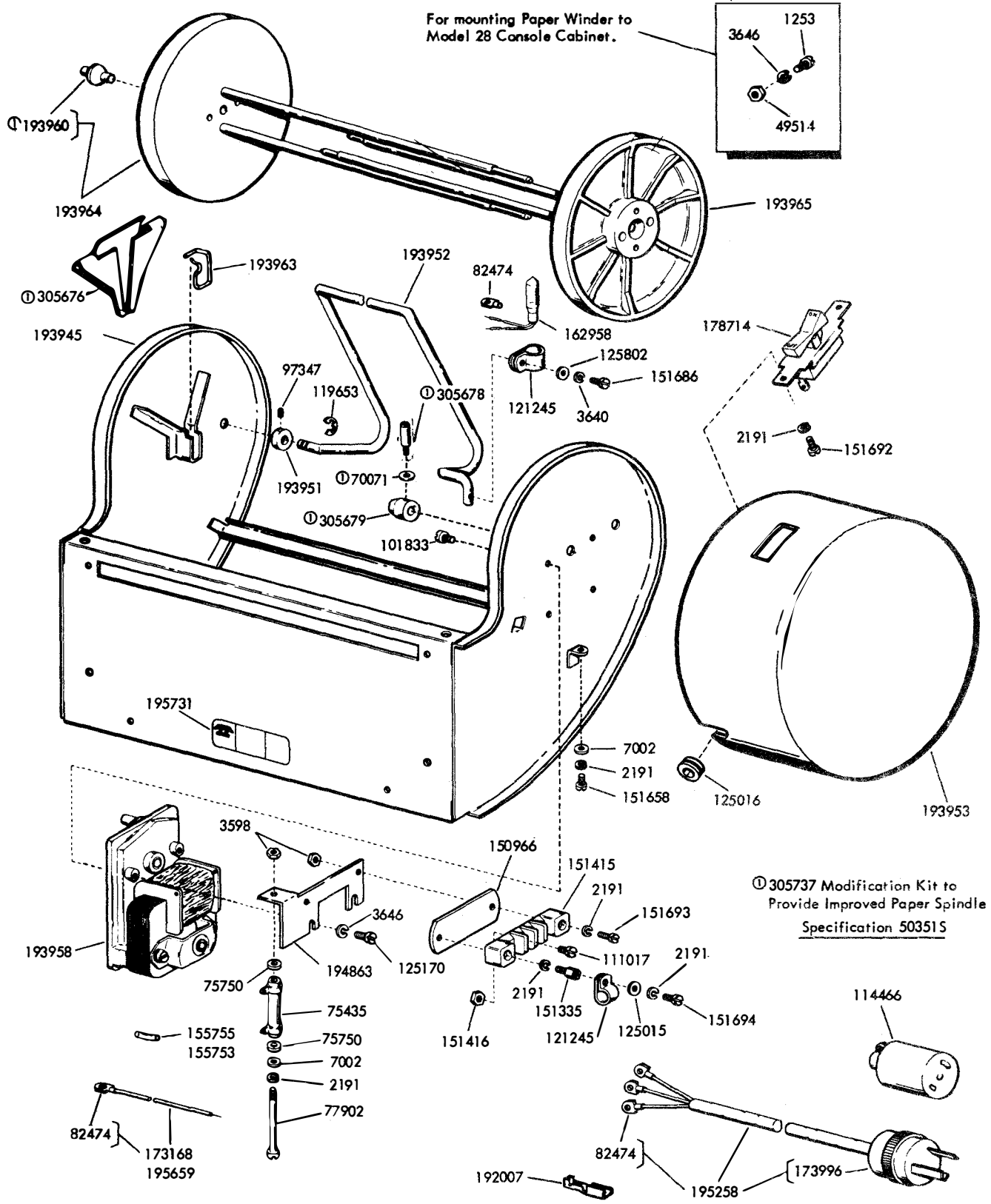


Figure 7-260. Paper Winder Mechanism



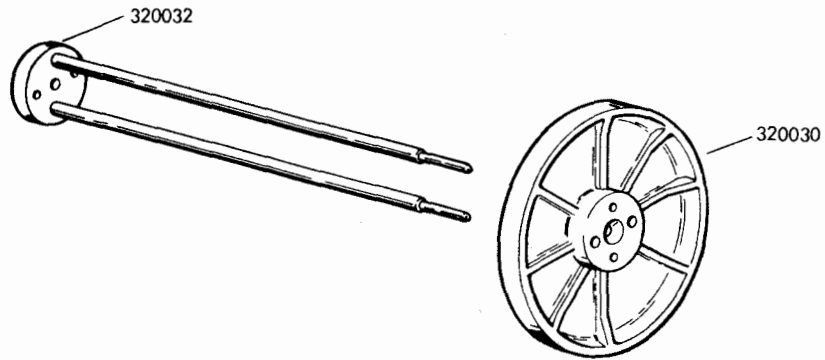
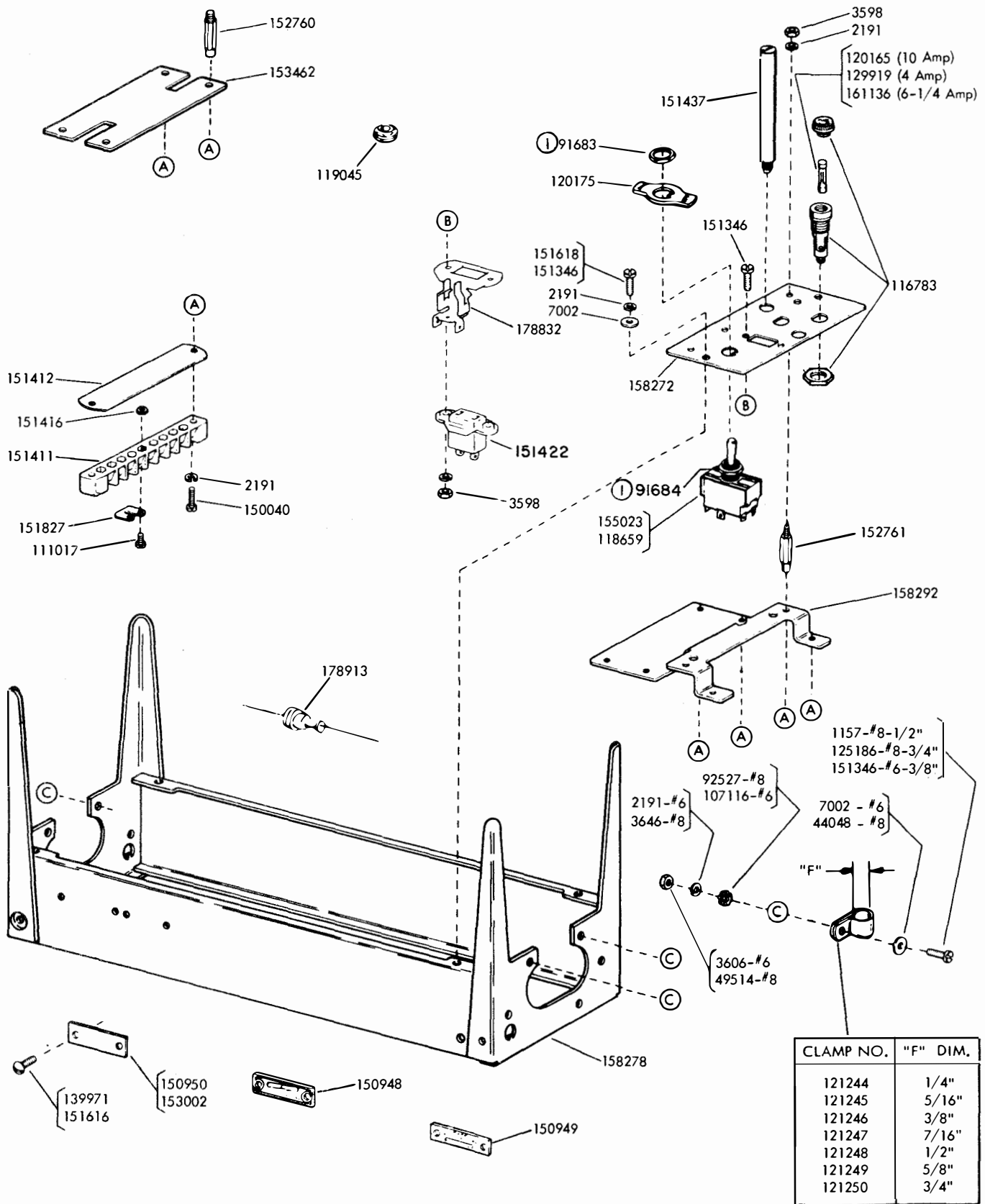


Figure 7-261. Modification Kit 320033 to Provide Improved Paper Handling when Used with Paper Winder



① Supplied with 155023

Figure 7-262. Container

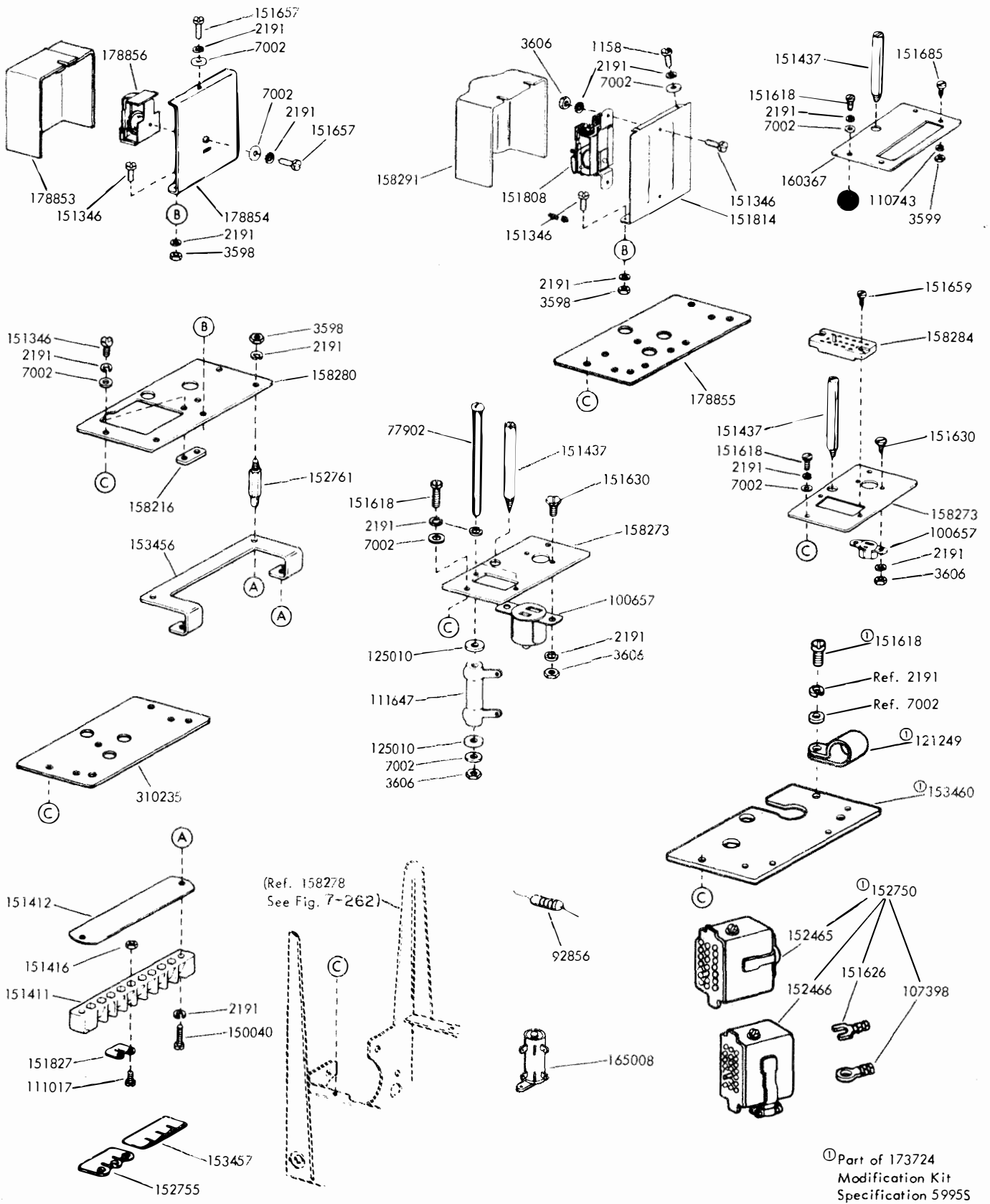
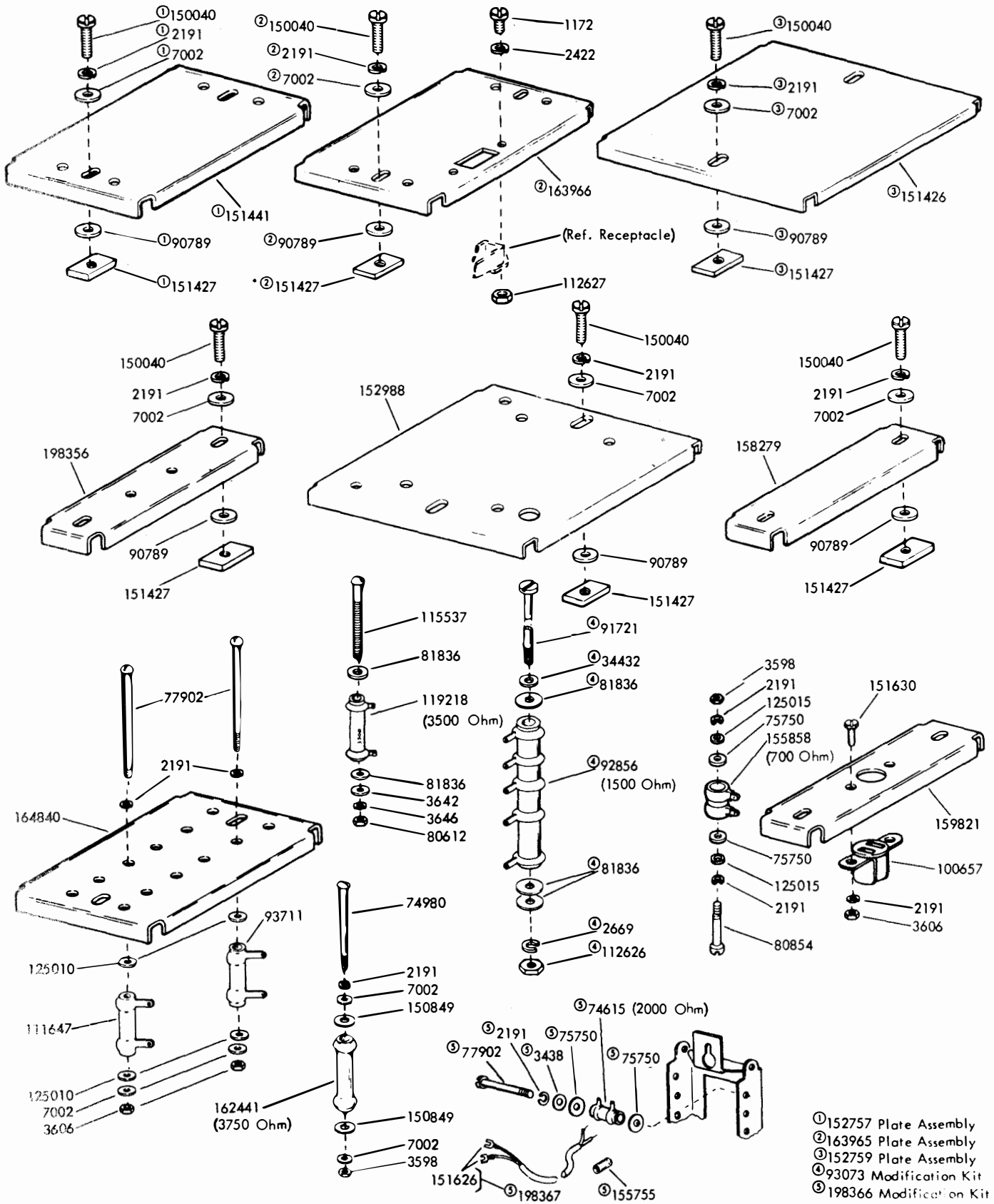


Figure 7-263. Line Shunt Relays and Mounting Plates



- ①152757 Plate Assembly
- ②163965 Plate Assembly
- ③152759 Plate Assembly
- ④93073 Modification Kit
- ⑤198366 Modification Kit

Figure 7-264. Plates and Resistors

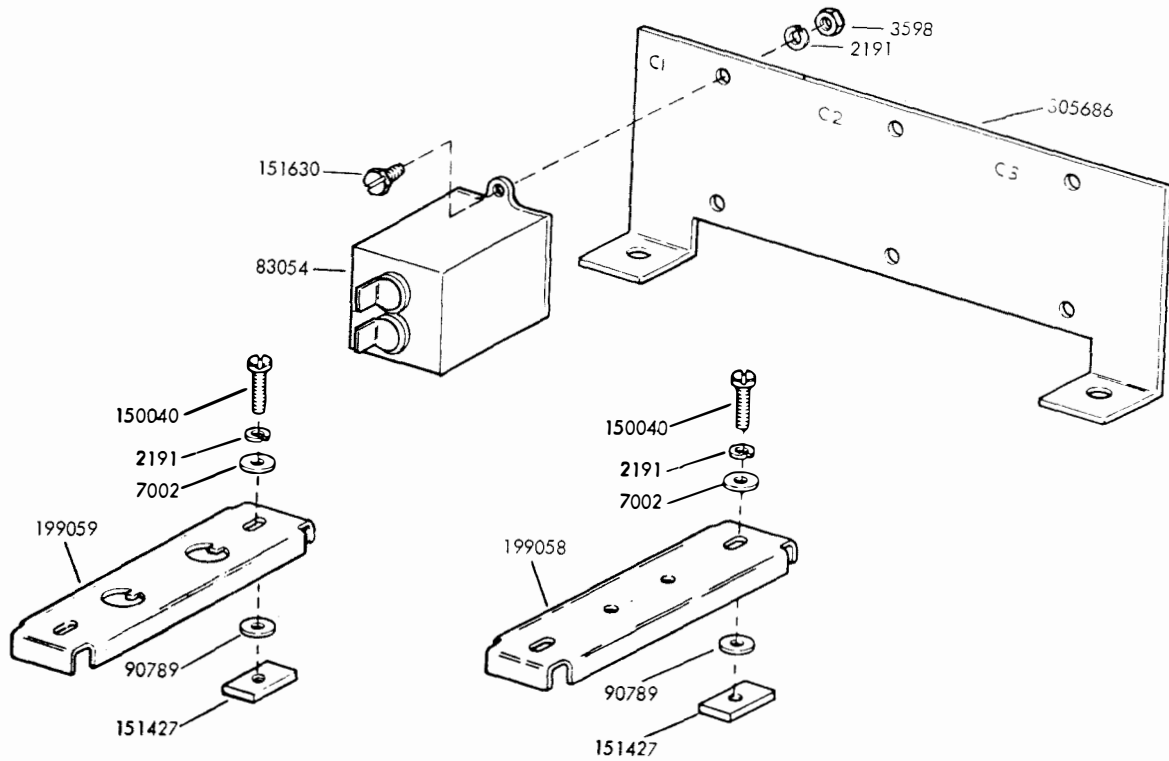


Figure 7-265. Mounting Brackets and Capacitor for 48-Volt Rectifier

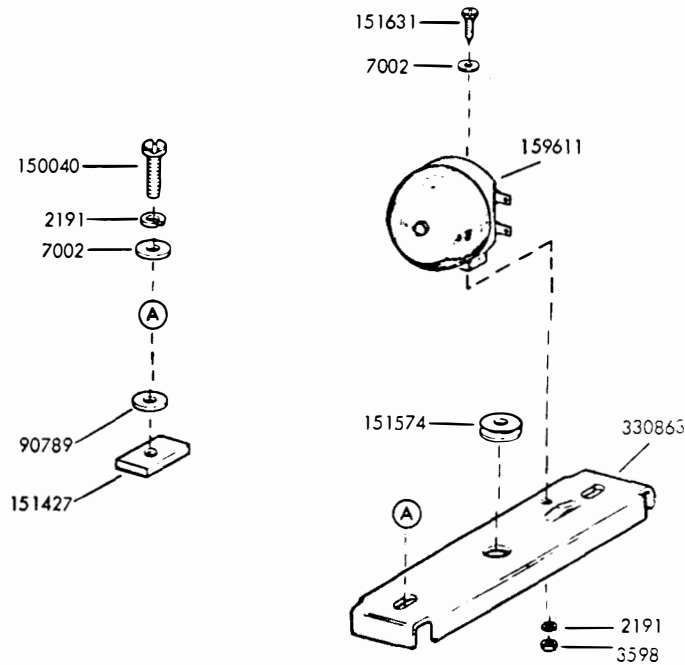


Figure 7-266. Low-Tape Bell

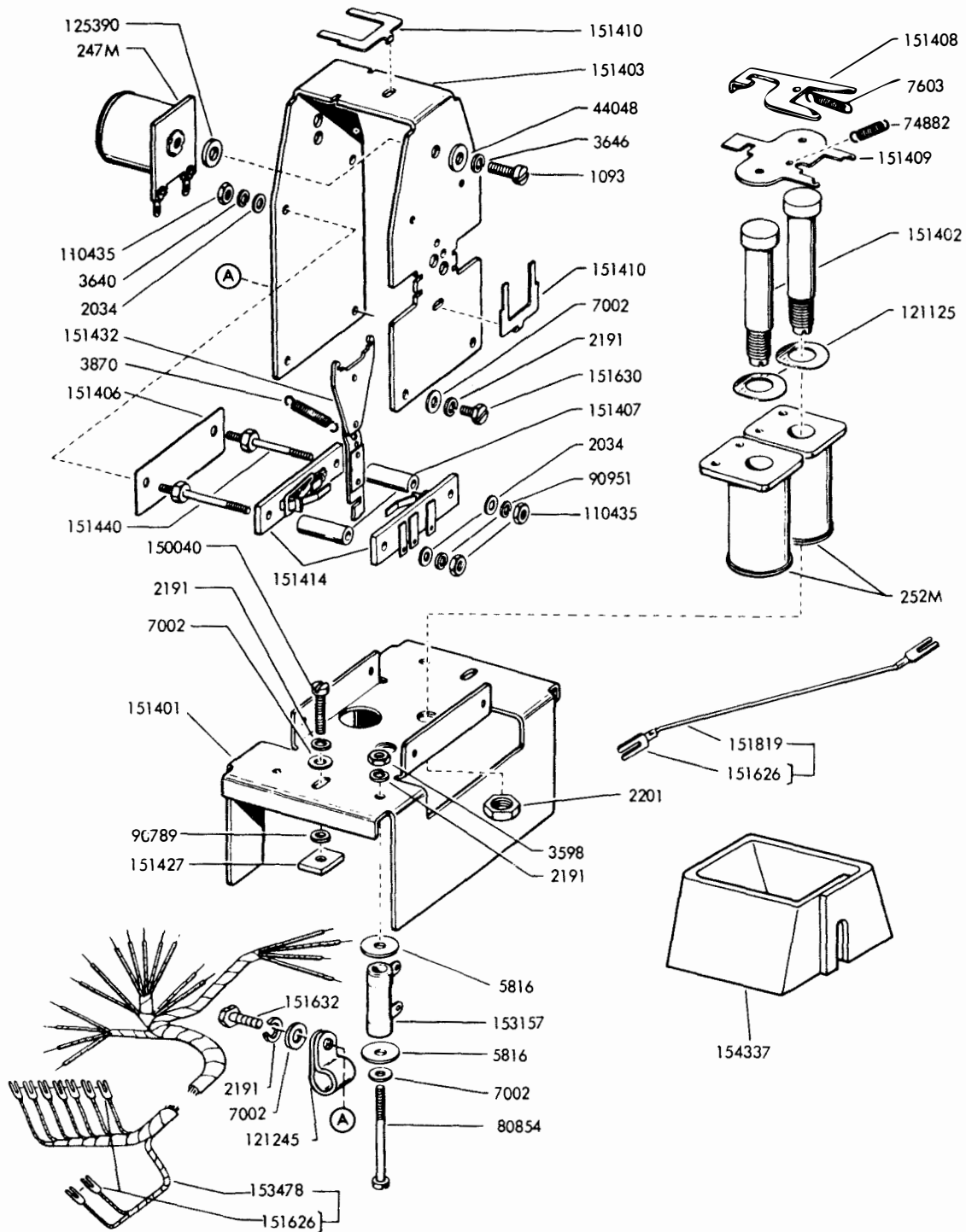


Figure 7-267. Motor Control Assembly 153251

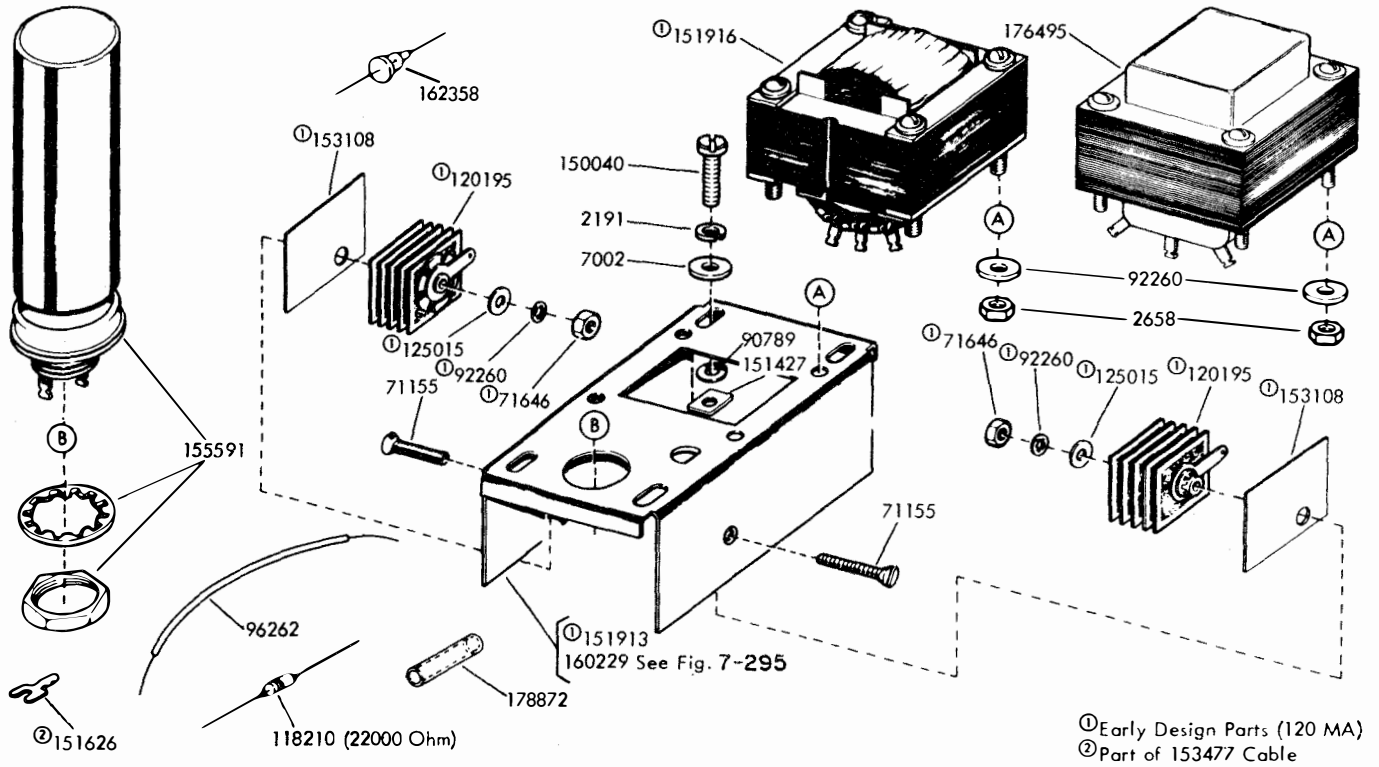


Figure 7-268. Rectifiers and Cable Assembly (150mA) 152950

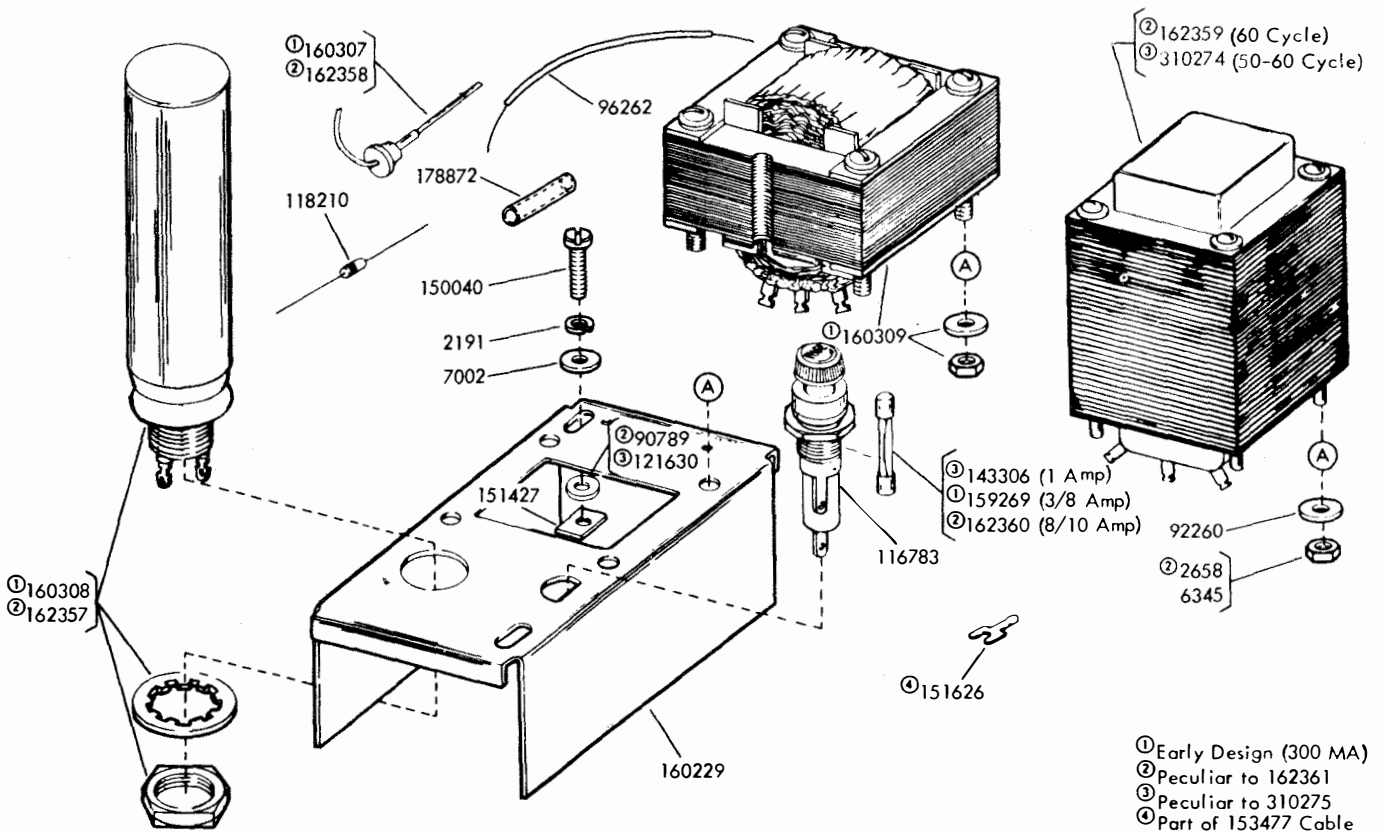
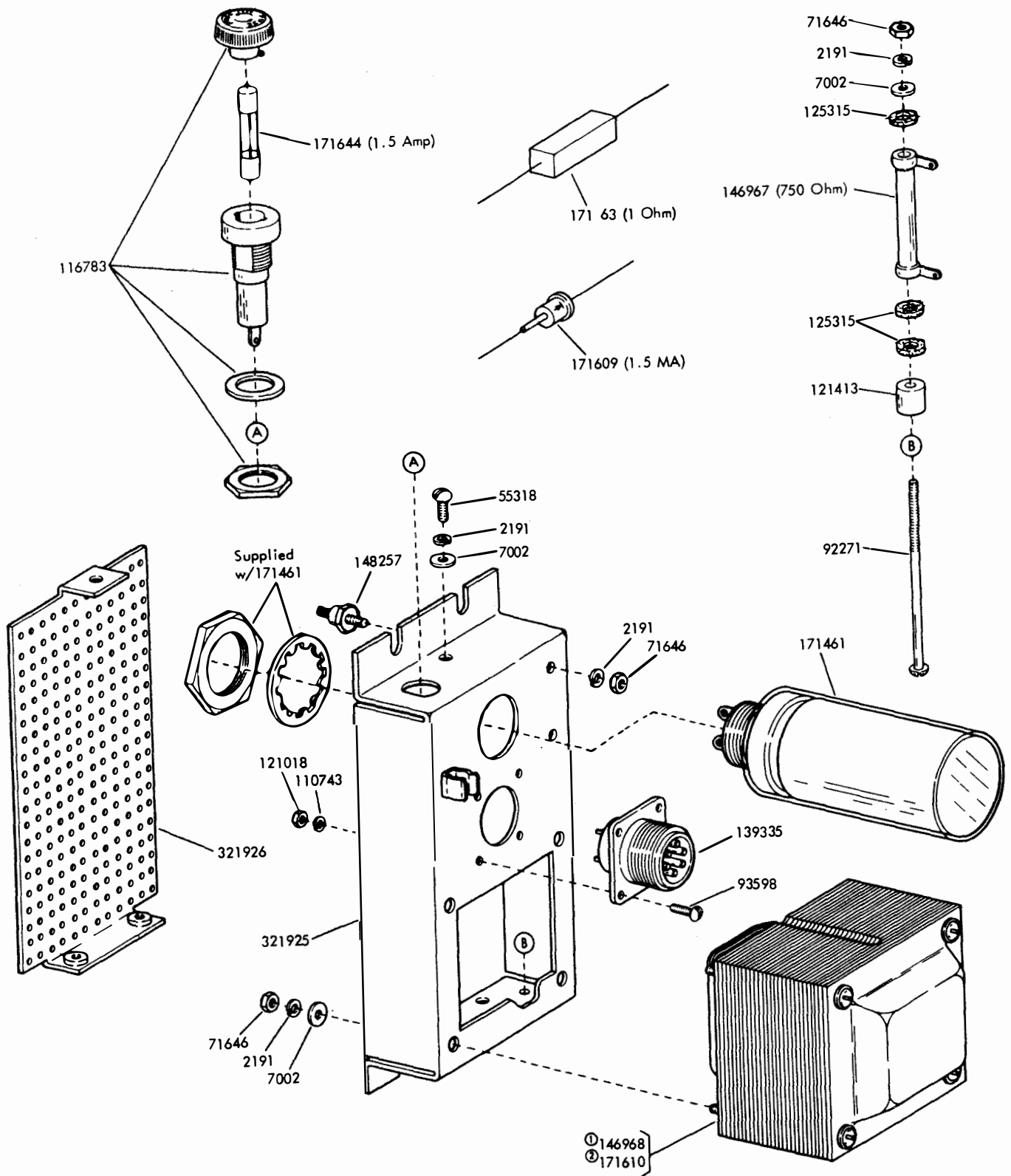


Figure 7-269. Rectifiers and Cable Assemblies (500mA) 162361 and 310275



① Peculiar to 146901
 ② Peculiar to 170573

Figure 7-270. Rectifier Assemblies 146901 and 170573

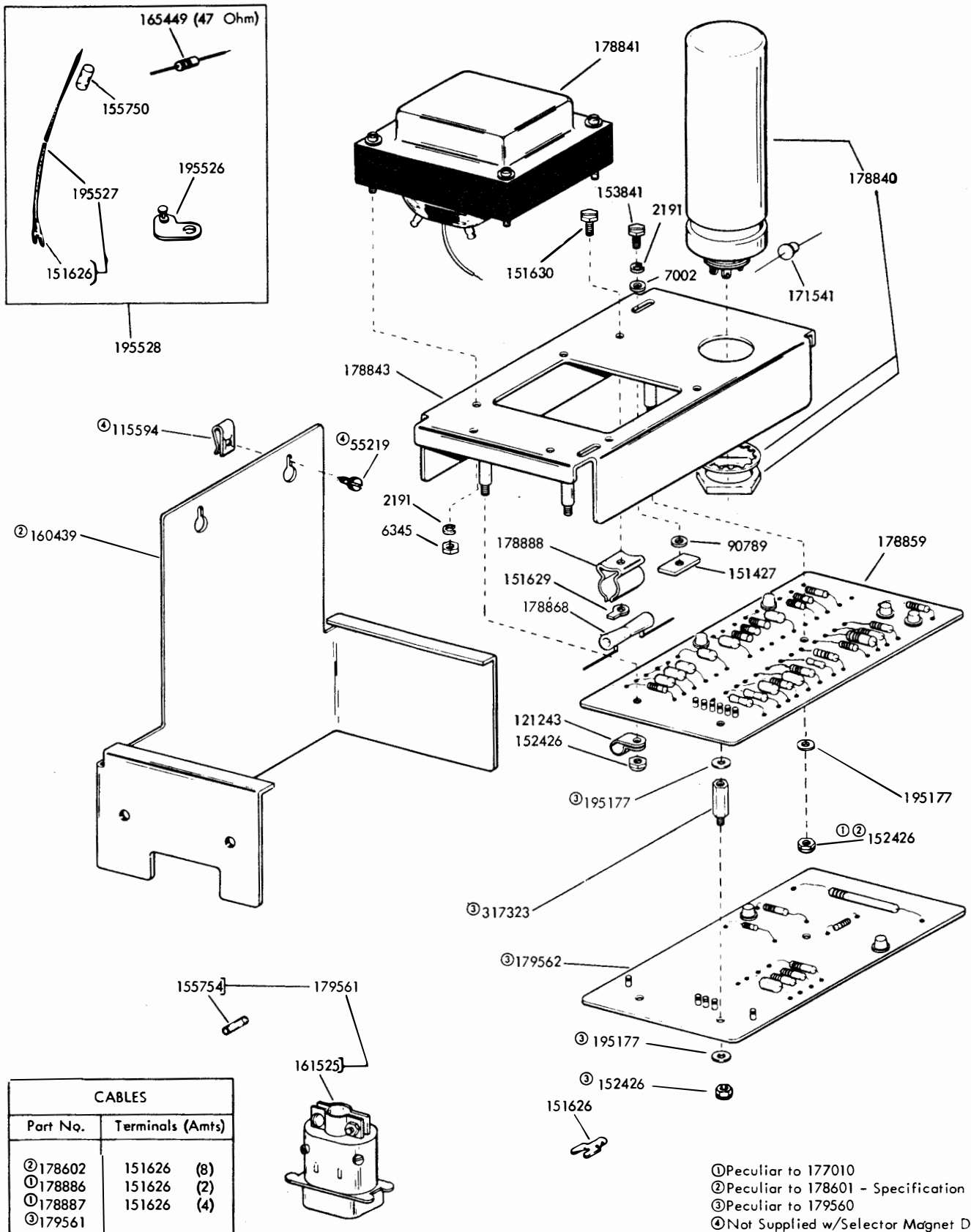


Figure 7-271. Selector Magnet Driver Assemblies 177010 and 178601 and Selector Magnet Driver Assembly 179560 with Open Line Detector

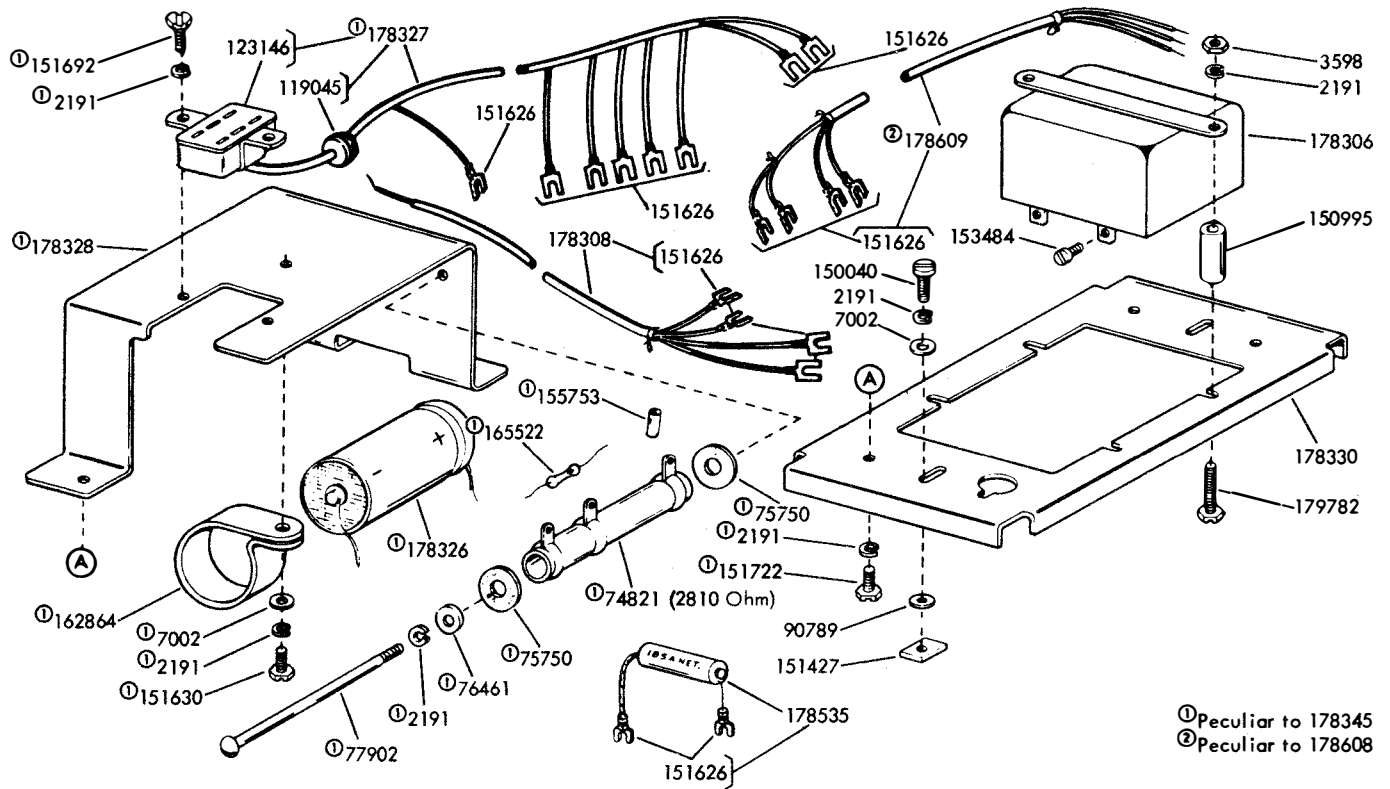


Figure 7-274. Modification Kit 178345 and Relay Assembly 178608 to Provide Motor Control and Answer-Back Relays

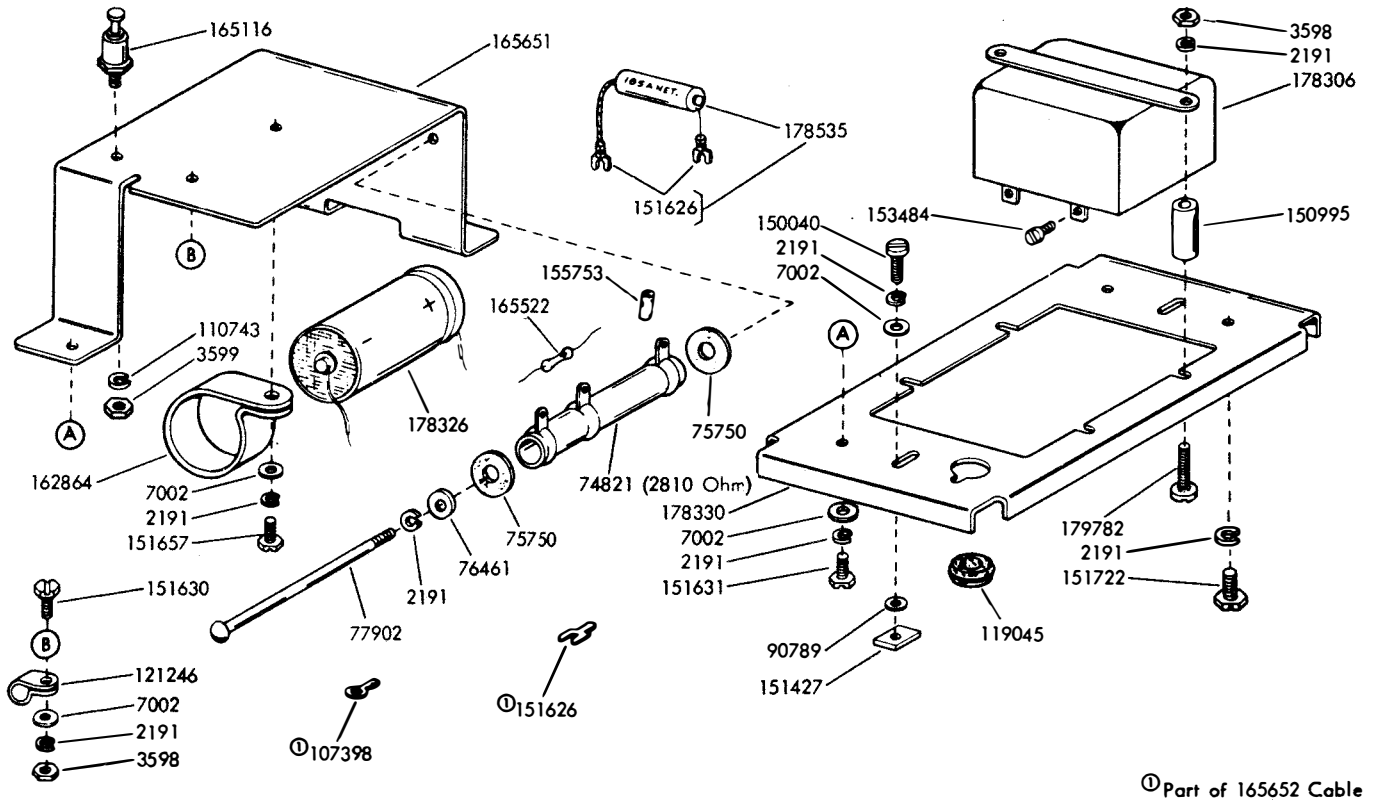


Figure 7-275. Motor Control 165650 and Answer-Back Relay Assembly

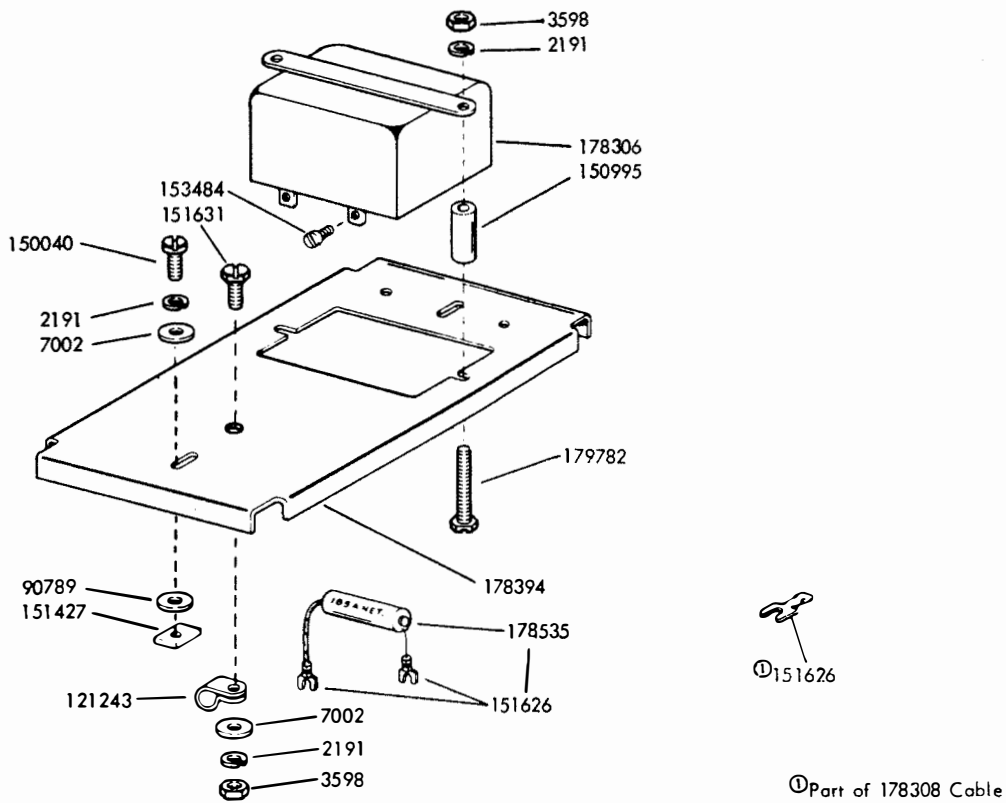


Figure 7-276. Motor Control Relay Assemblies 165673 and 178307

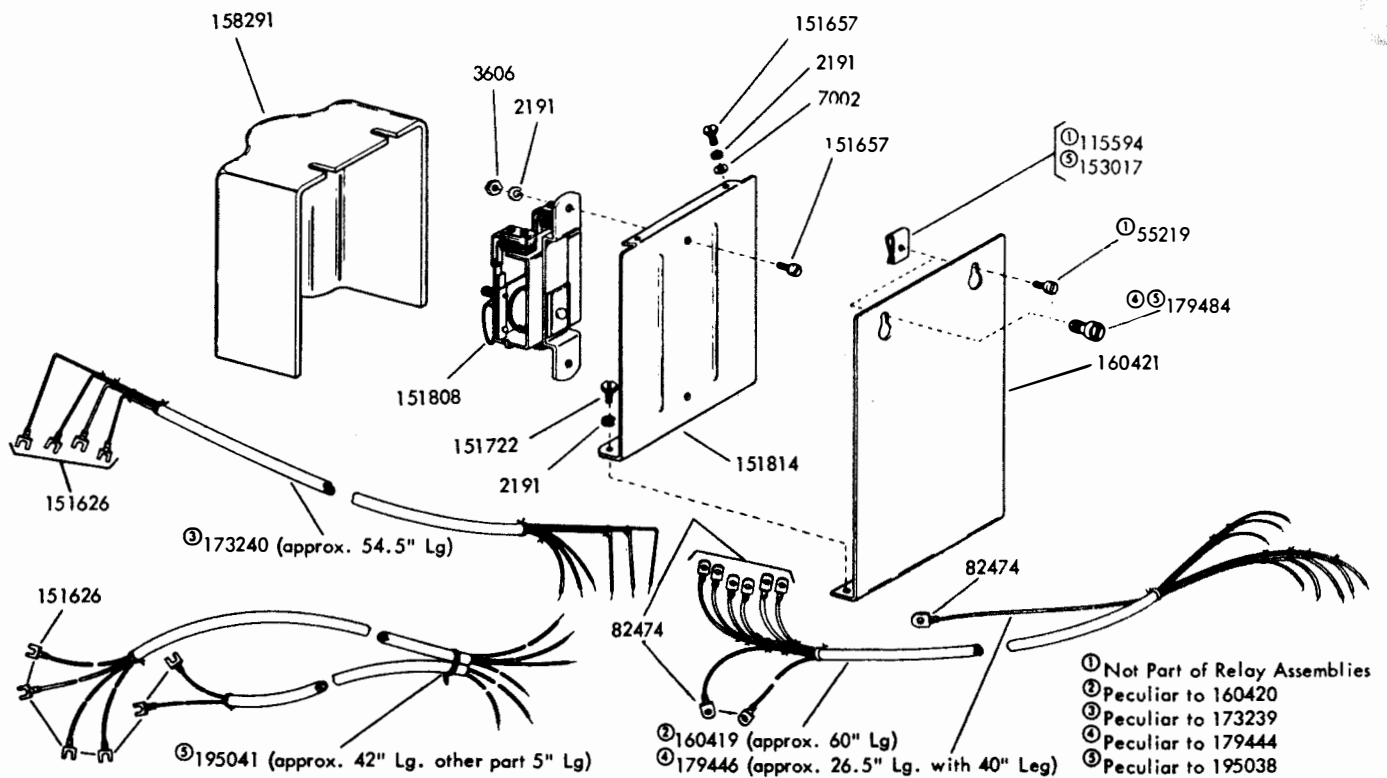


Figure 7-277. Auxiliary Line Shunt Relay Assemblies 160420 and 195038 and Auxiliary Reader Control Relay Assemblies 17944 and 173239

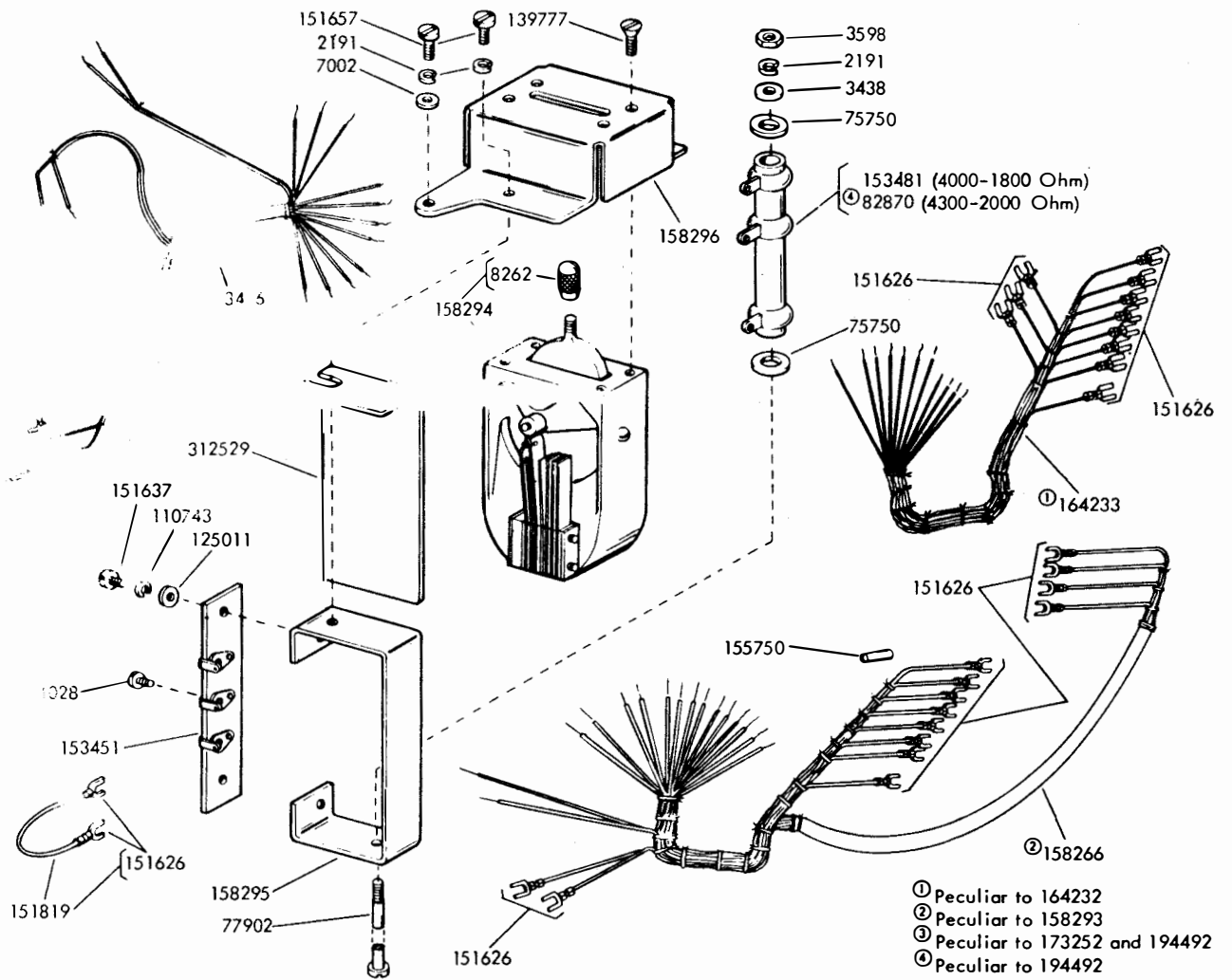


Figure 7-278. Line Test Key Assemblies 158293, 164232, 173252, and 194492

② No longer available, furnish 162630 Modification Kit

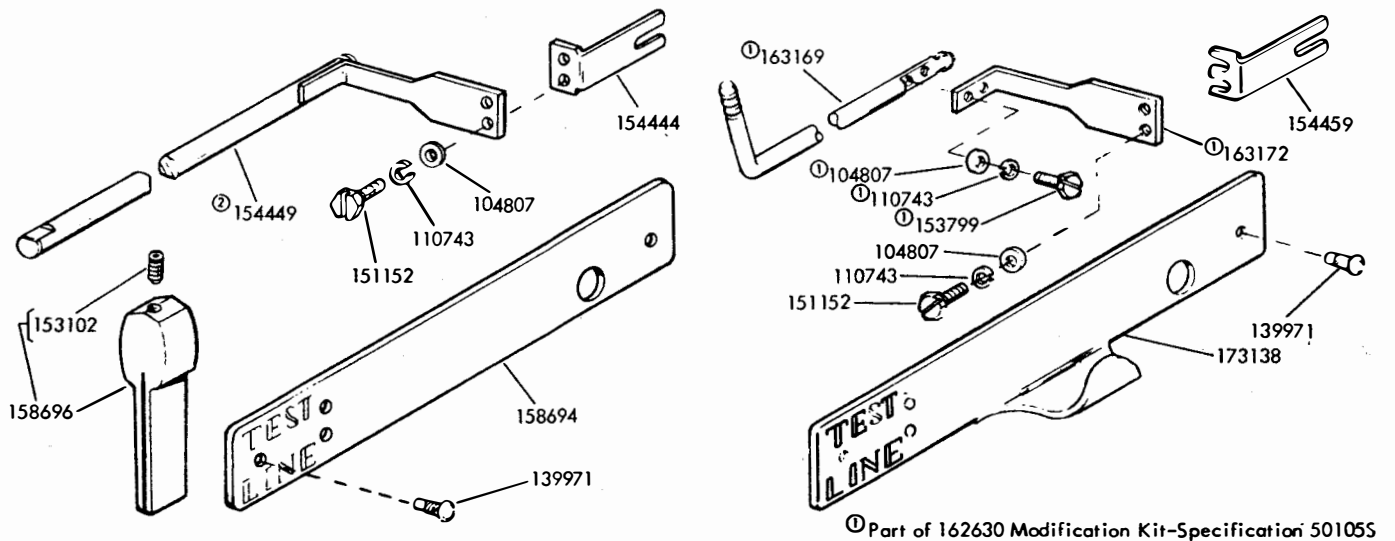


Figure 7-279. Line Test Key Control

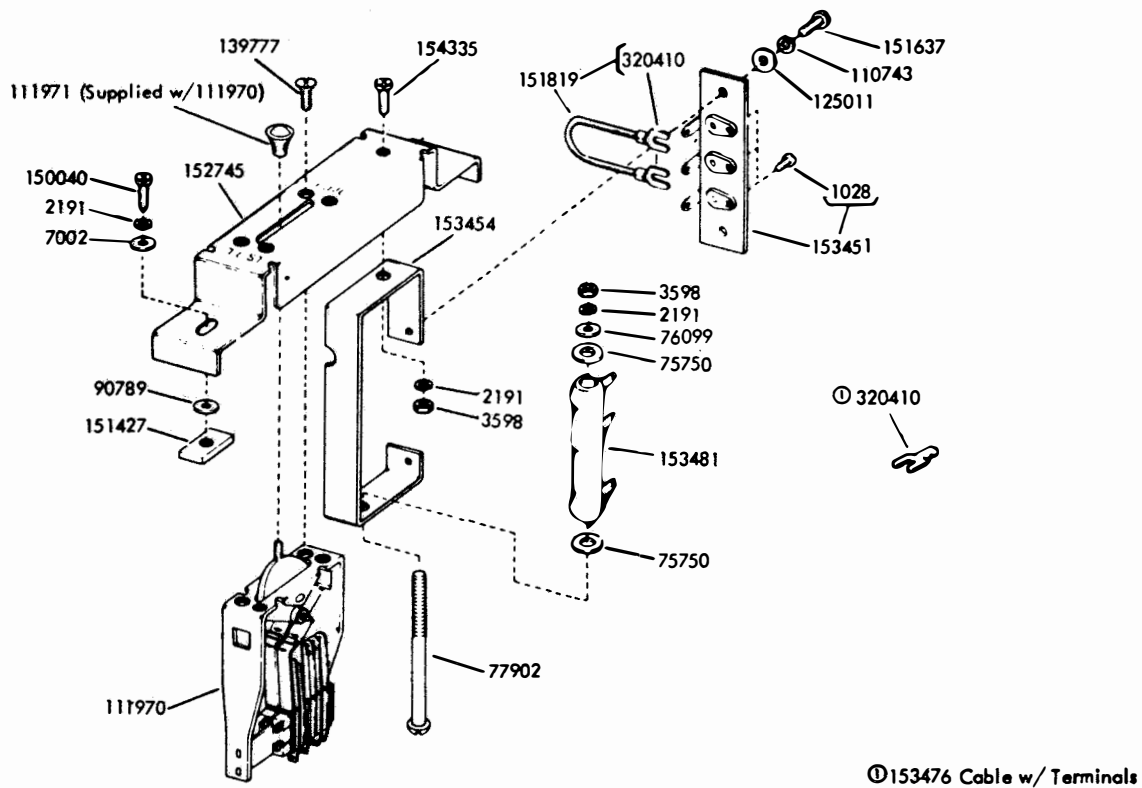


Figure 7-280. Line Test Key Assembly 152625

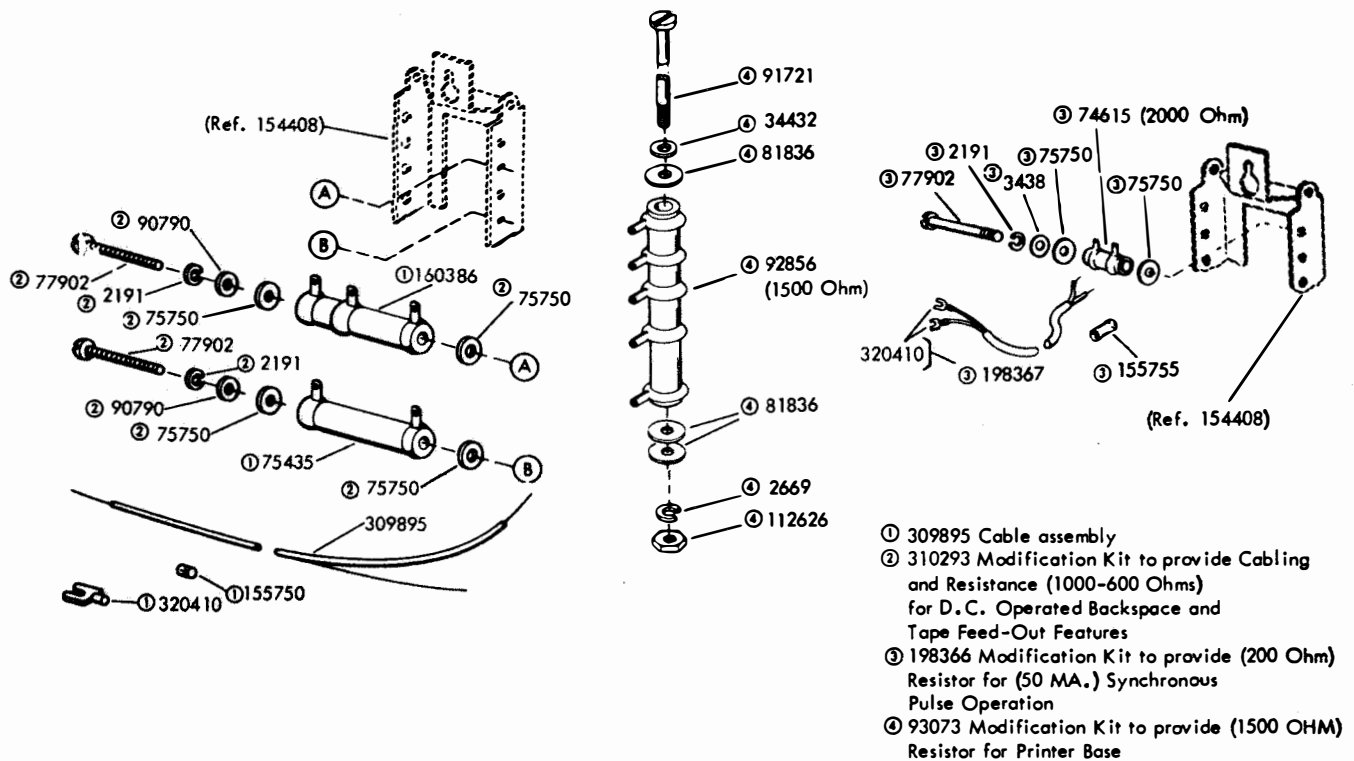


Figure 7-281. Resistor Modification Kits

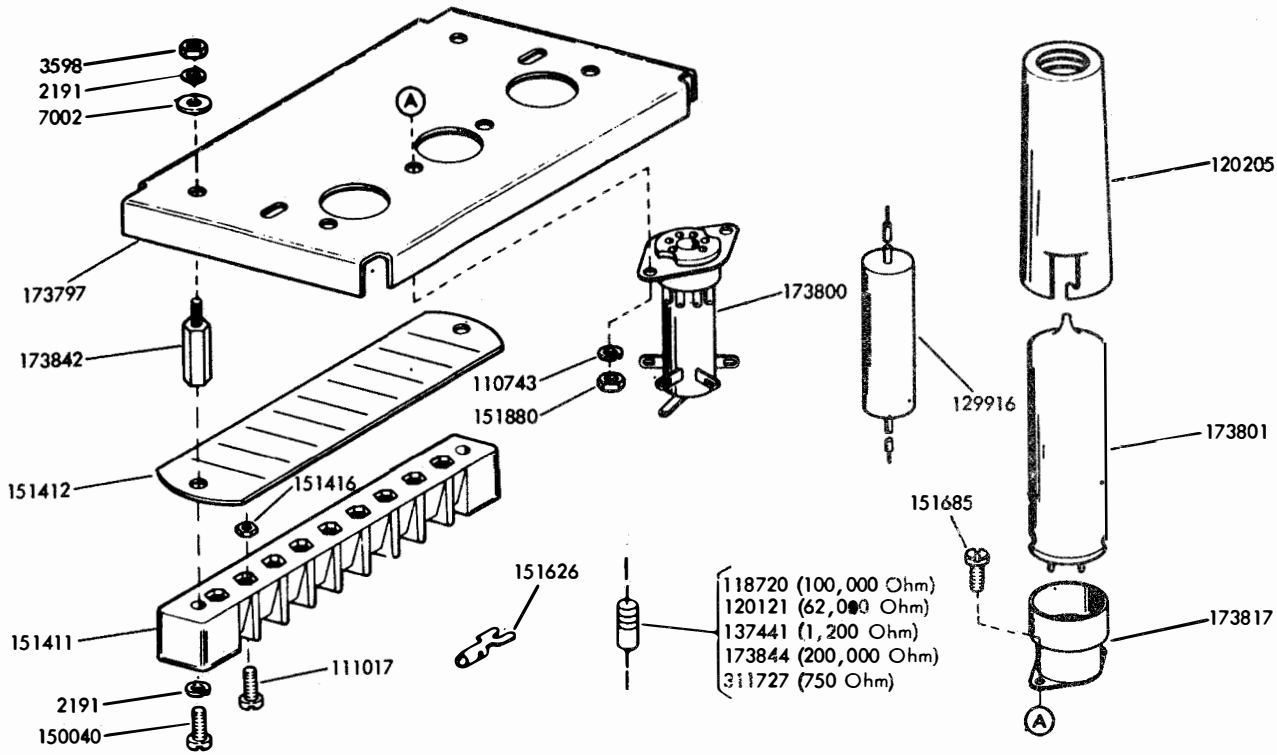
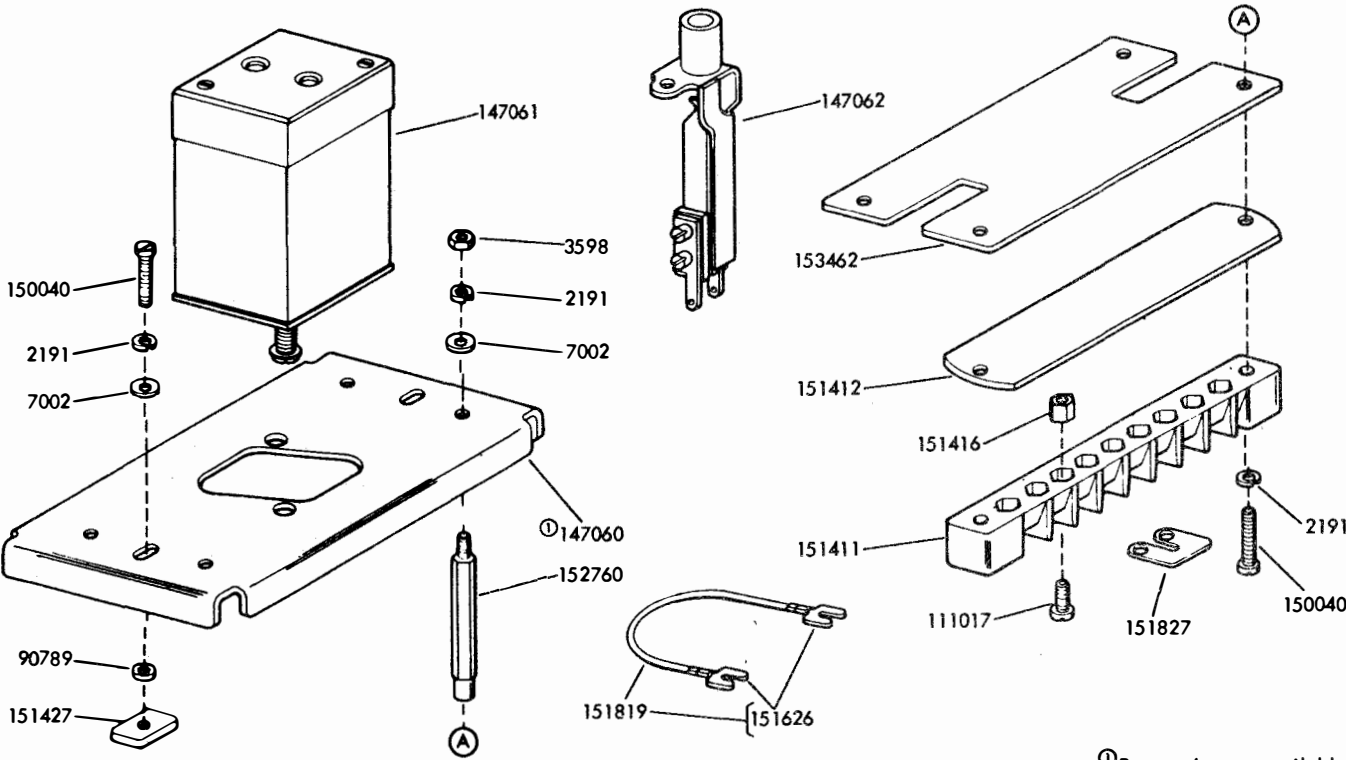


Figure 7-282. Electronic Keyer Assembly 173452



ⓐ Part no longer available

Figure 7-283. Line Jack Assembly

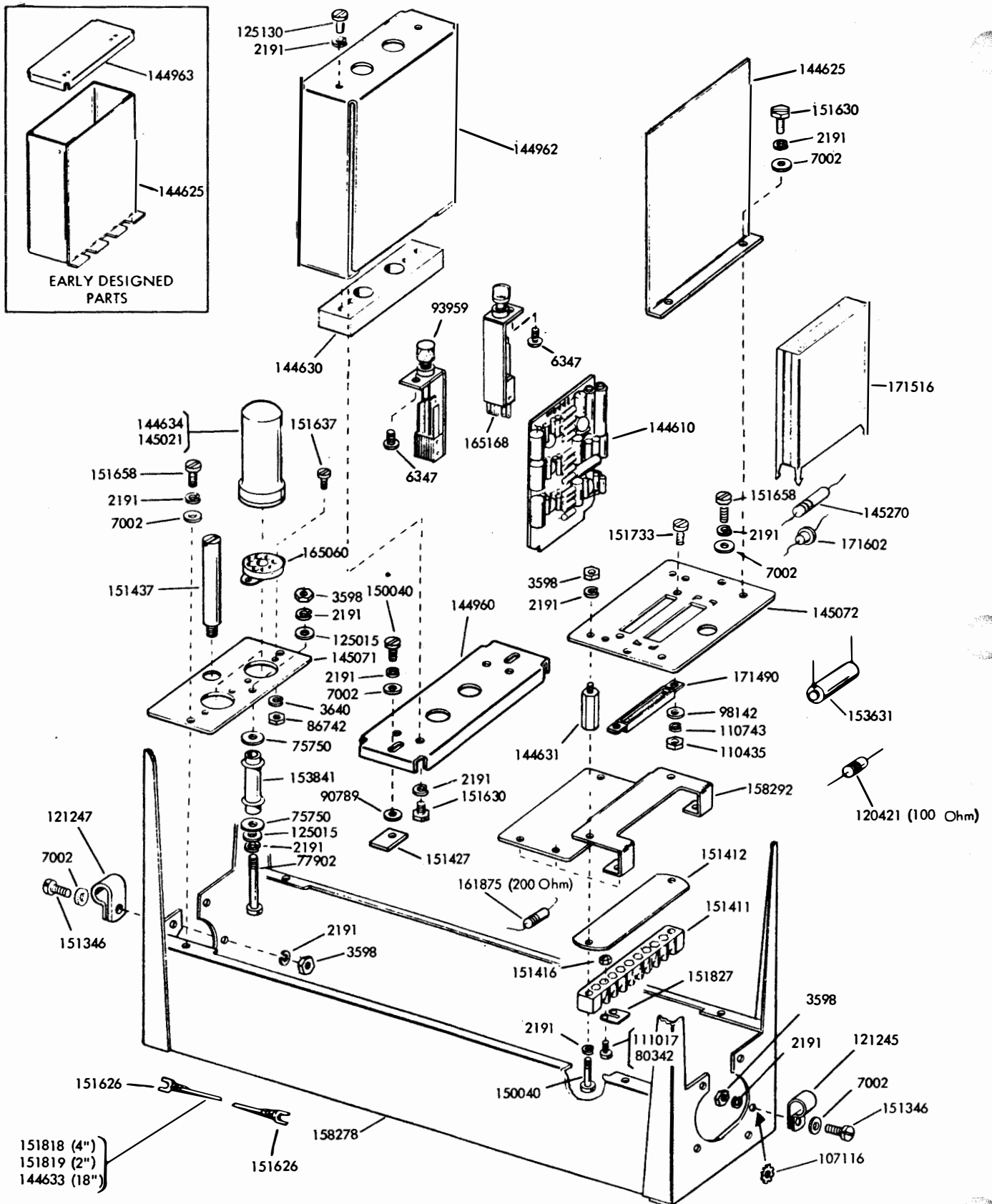


Figure 7-284. Components to Provide for AC and DC Power Distribution

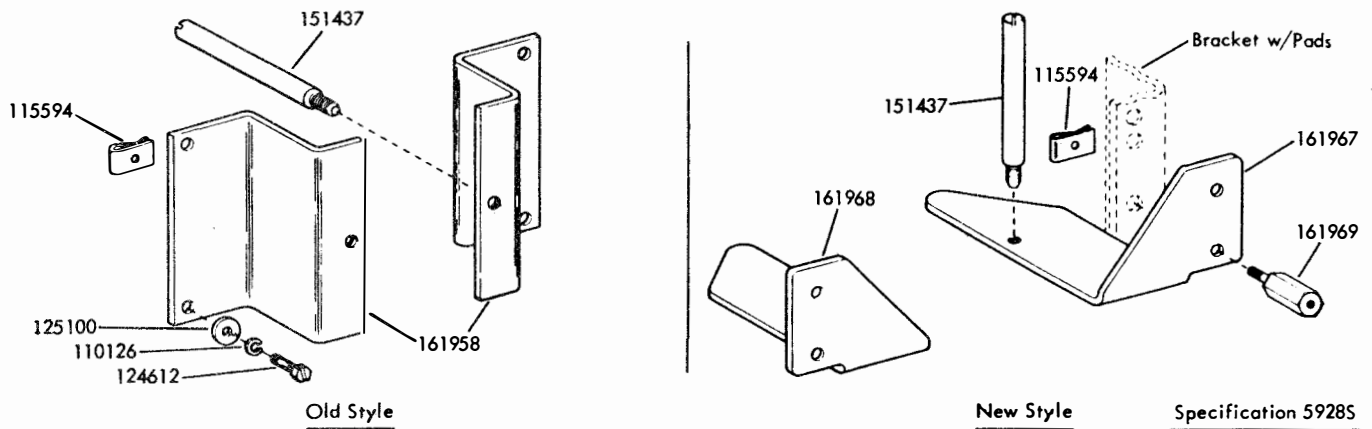


Figure 7-286. Modification Kit 161829 for Mounting an Electrical Service Unit on Relay Rack Brackets

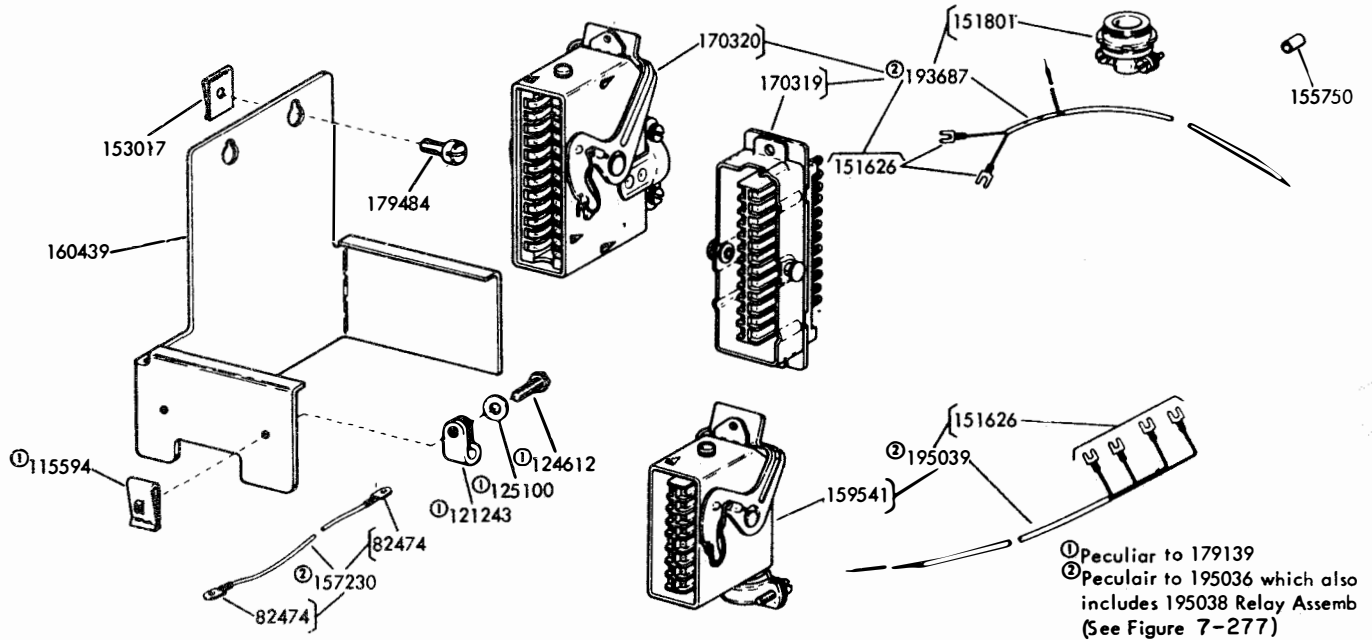


Figure 7-287. Auxiliary Reperforator Line Relay Assembly 179139 and 195036

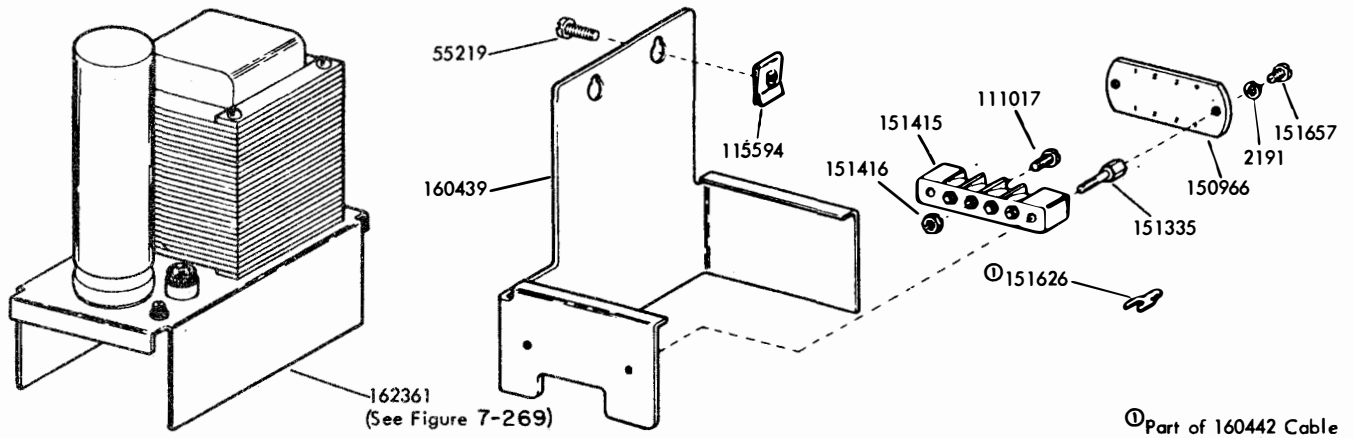


Figure 7-288. Modification Kit 160422 to Equip Cabinet with Rectifier

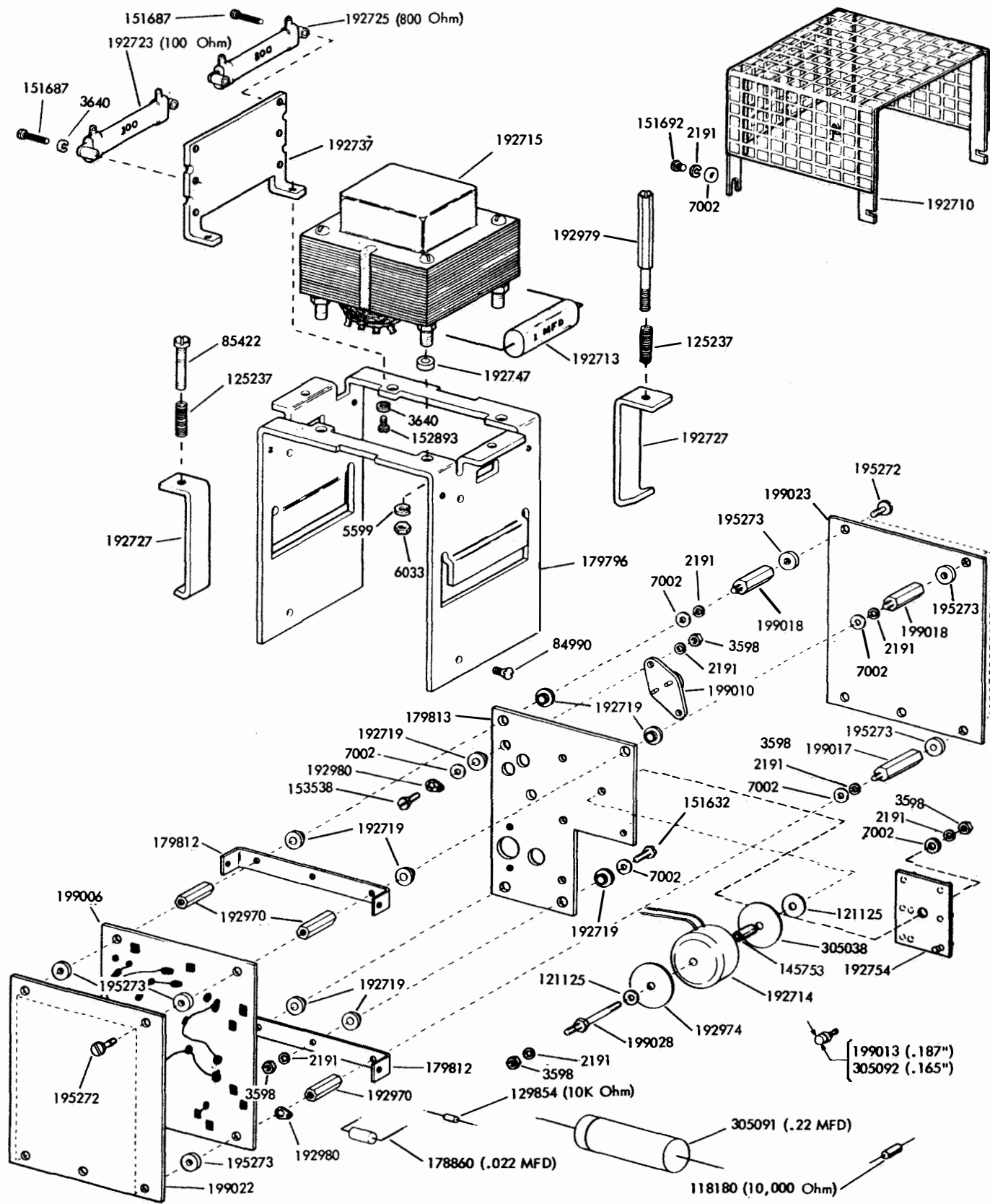
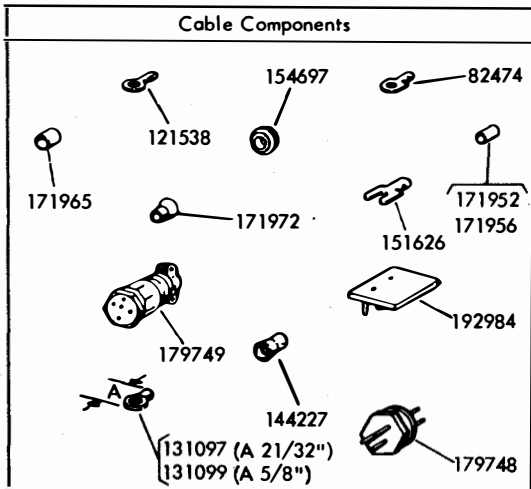
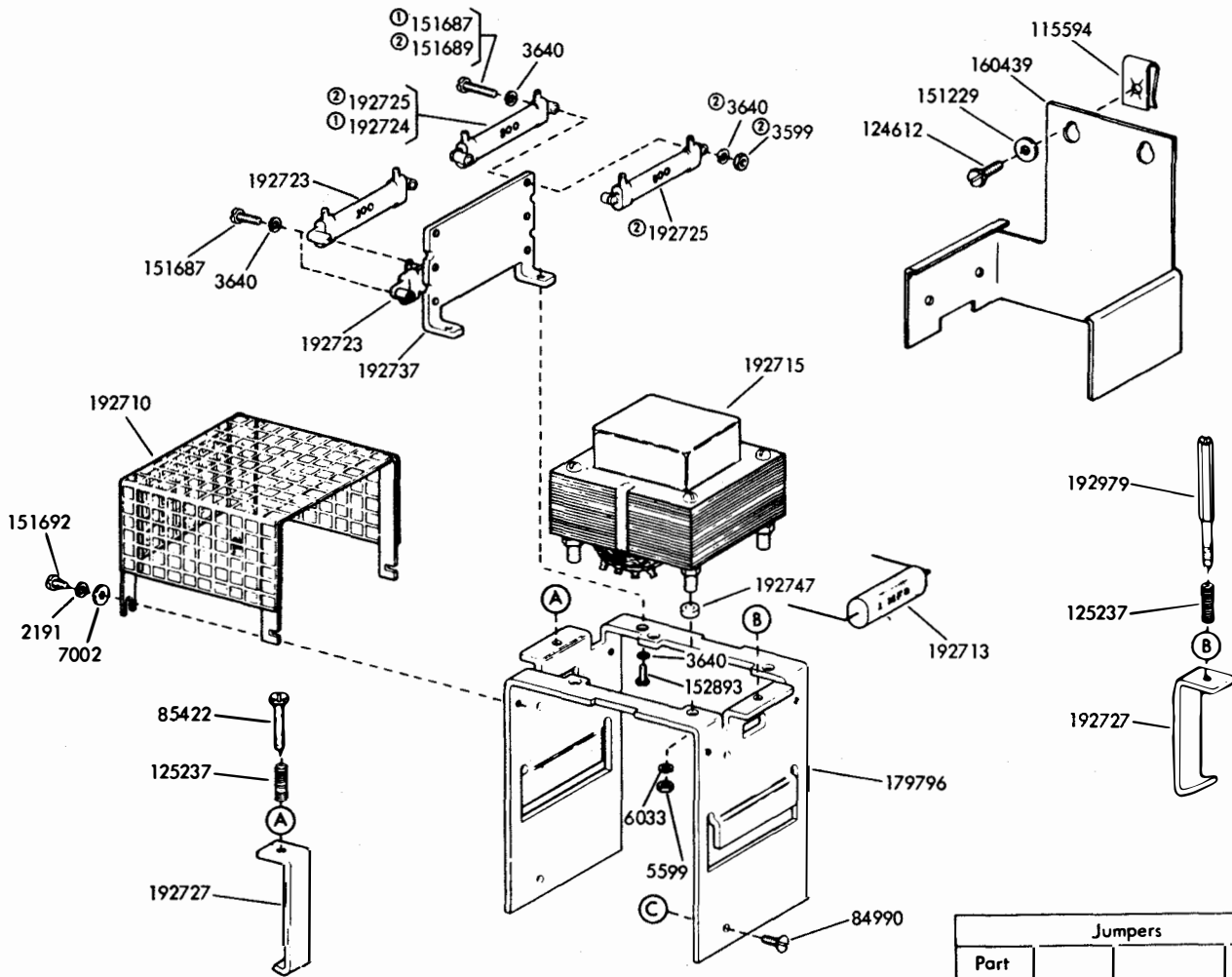


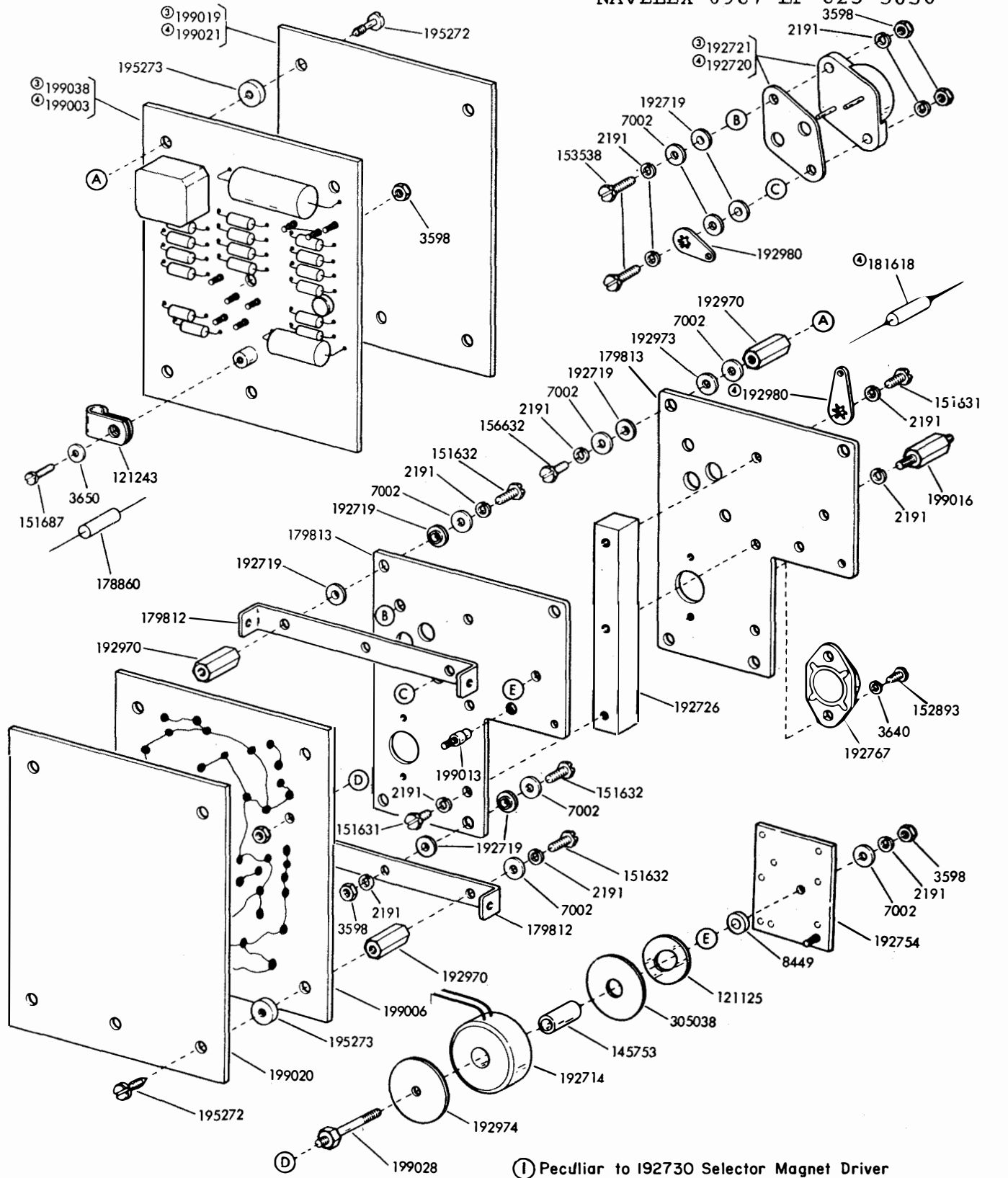
Figure 7-289. Rectifier Assembly 192750



Jumpers			
Part No.	Color	Terminals	Length
151819	Black	151626 (2)	3-1/16"
156880	Black	121538 (2)	6-1/4"
157230	Black	151626 (2)	9-1/4"
157232	Black	151626 (2)	3-1/2"
195269	Green	82474 (1)	3-1/2"
195270	Green	131099 (1)	3-1/2"
305019	Brown		2"
305020	Purple		2"

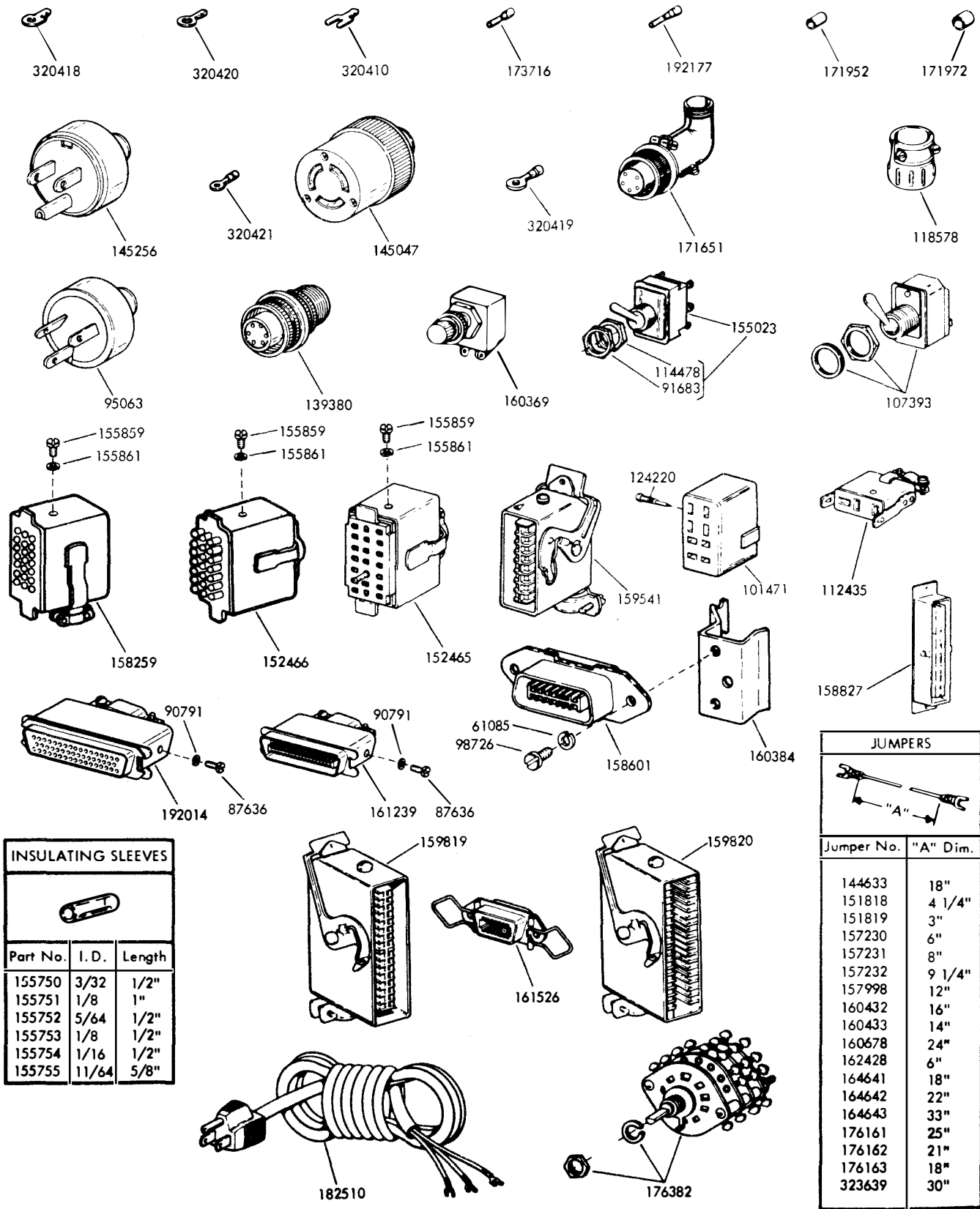
- ① Peculiar to 192730 Selector Magnet Driver Assembly also shown on Sheet 2
 - ② Peculiar to 192740 Low-Level Keyer Assembly also shown on Sheet 2
- 179610 Modification Kit for use w/Auxiliary Repeater
 179611 Modification Kit for use w/out Auxiliary Repeater

Figure 7-290. Modification Kits 179610 and 179611 to Reduce Radio Frequency Noise on ASR Set (Sheet 1 of 2)



- ① Peculiar to 192730 Selector Magnet Driver Assembly also shown on Sheet 1
 - ② Peculiar to 192740 Low-Level Keyer Assembly also shown on Sheet 1
- 179610 Modification Kit for use w/Auxiliary Reperforator
 179611 Modification Kit for use w/out Auxiliary Reperforator

Figure 7-290. Modification Kits 179610 and 179611 to Reduce Radio Frequency Noise on ASR Set (Sheet 2 of 2)



INSULATING SLEEVES		
Part No.	I. D.	Length
155750	3/32	1/2"
155751	1/8	1"
155752	5/64	1/2"
155753	1/8	1/2"
155754	1/16	1/2"
155755	11/64	5/8"

JUMPERS	
Jumper No.	"A" Dim.
144633	18"
151818	4 1/4"
151819	3"
157230	6"
157231	8"
157232	9 1/4"
157998	12"
160432	16"
160433	14"
160678	24"
162428	6"
164641	18"
164642	22"
164643	33"
176161	25"
176162	21"
176163	18"
323639	30"

Figure 7-291. Cable Components, Model 28 ASR

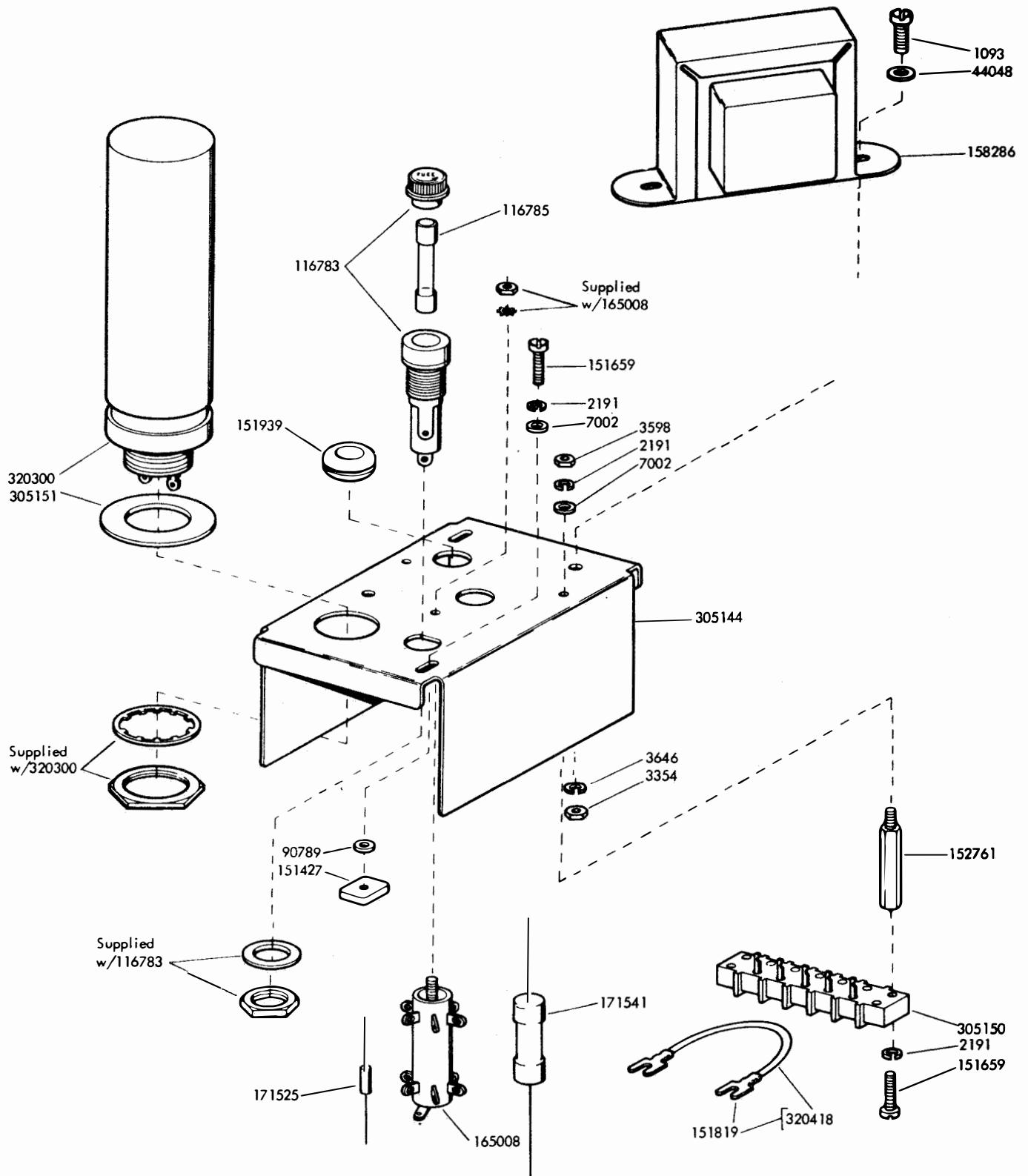
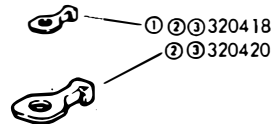
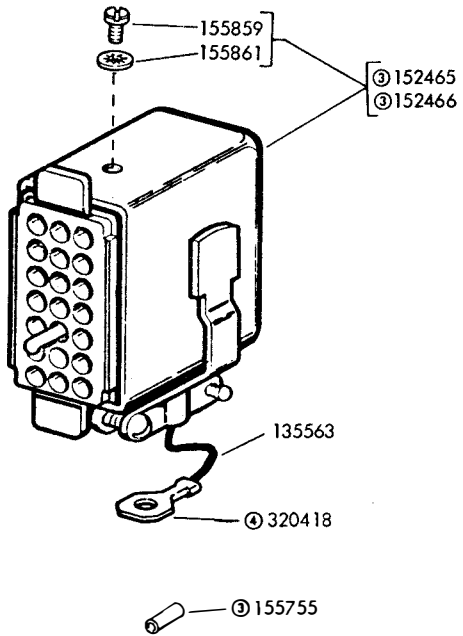


Figure 292. Rectifier Assembly (6-Volt) 305143, Used on Low-Level Sets



- ① 324685 Cable w/Terminals
- ② 326763 Cable w/ Terminals
- ③ 324152 Cable Assembly
- ④ Supplied w/135563

Figure 7-293. Cable Components, Used on Low-Level Sets

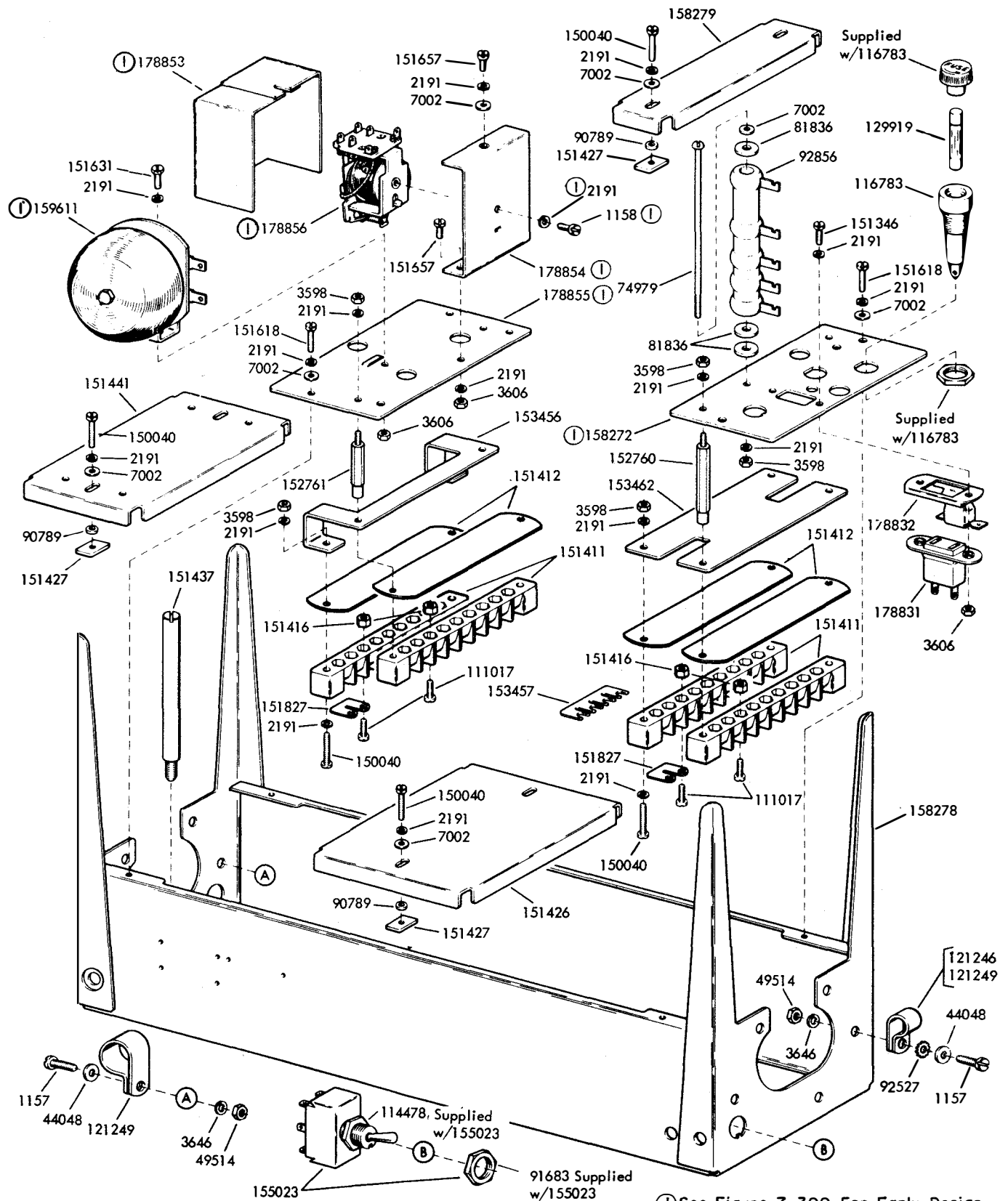


Figure 7-294. Electrical Service Unit (LESU) for Reperforator

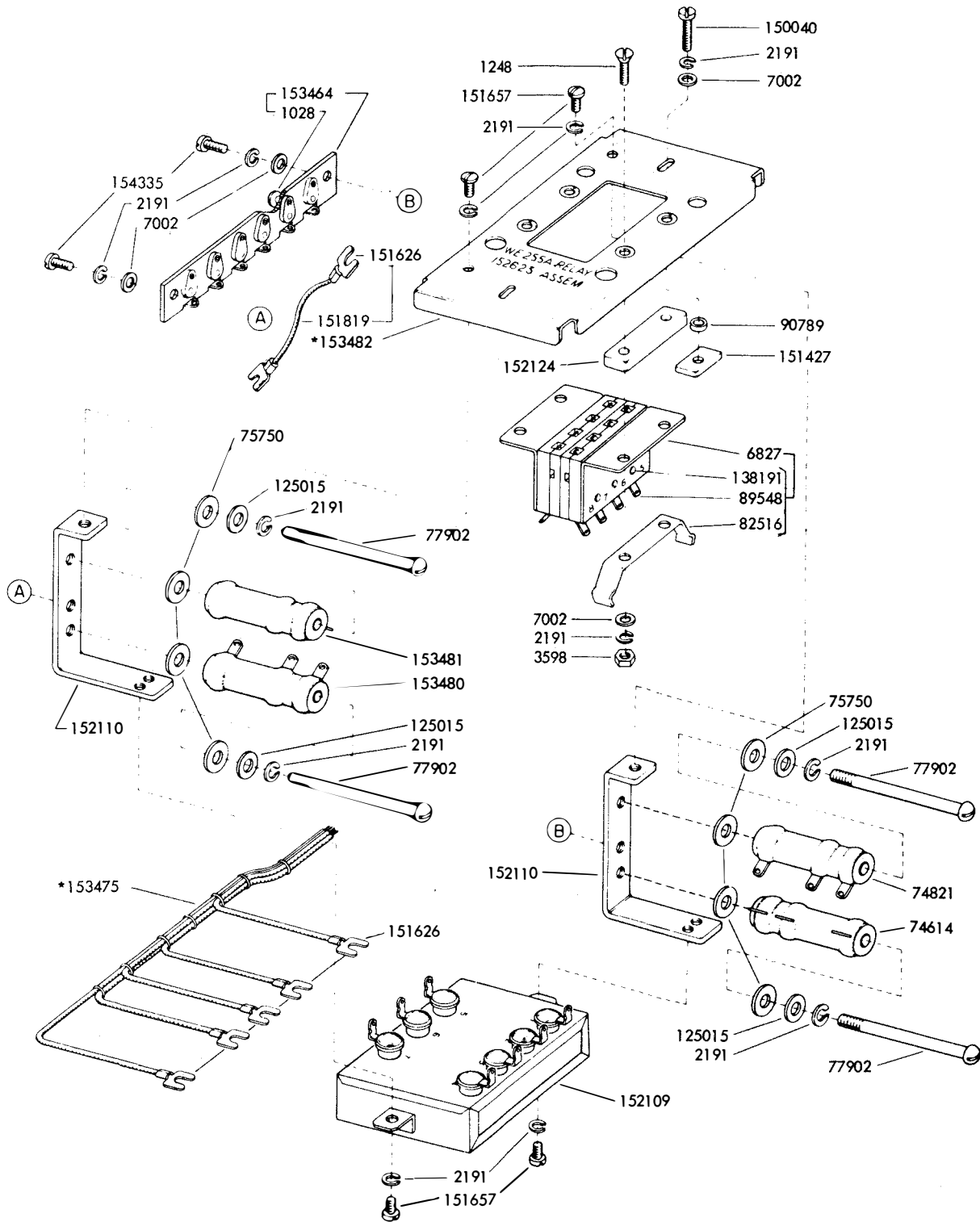


Figure 7-295. Line Relay Mounting Assembly 152623

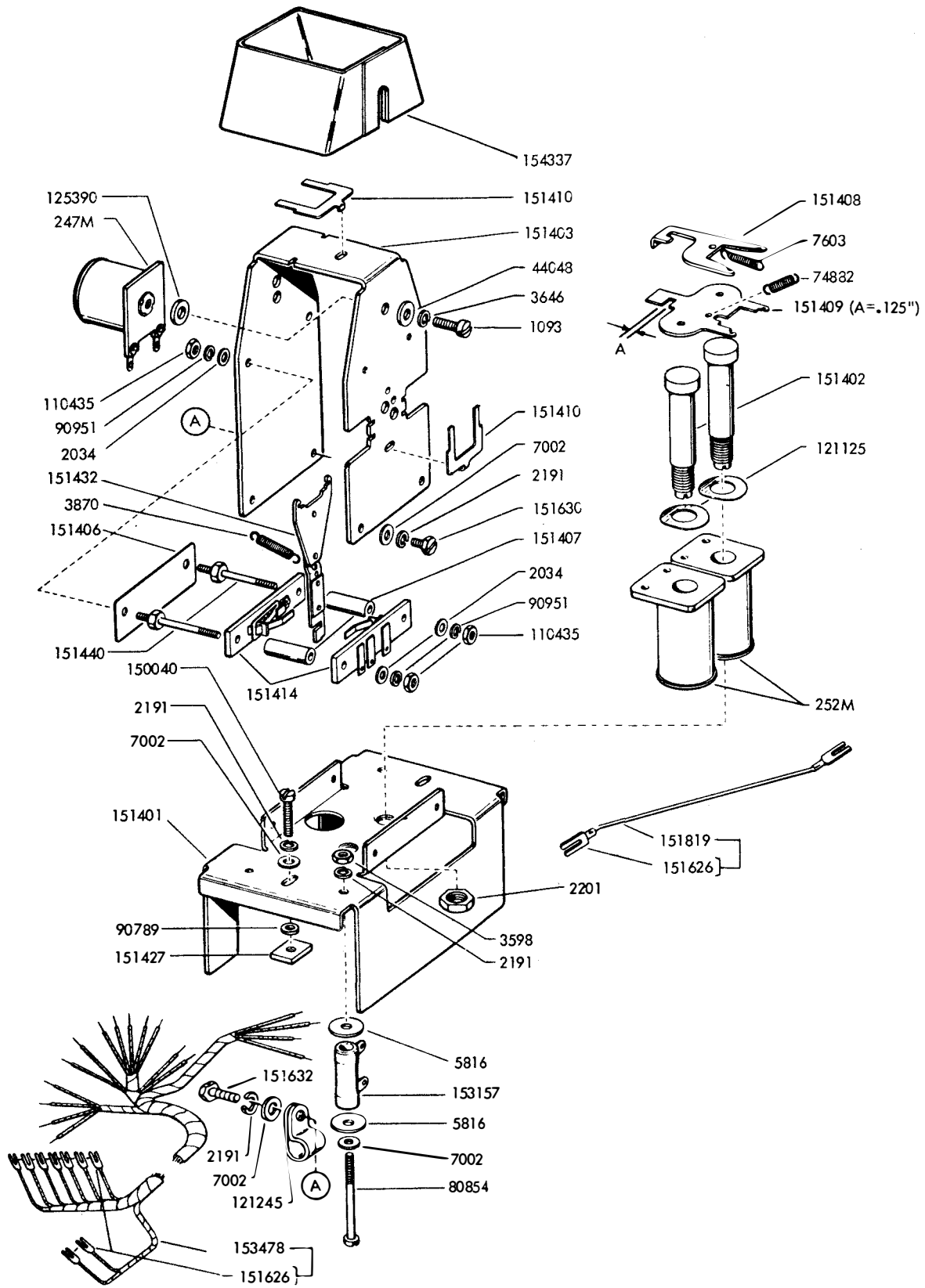


Figure 7-297. Motor Control Assembly 153251

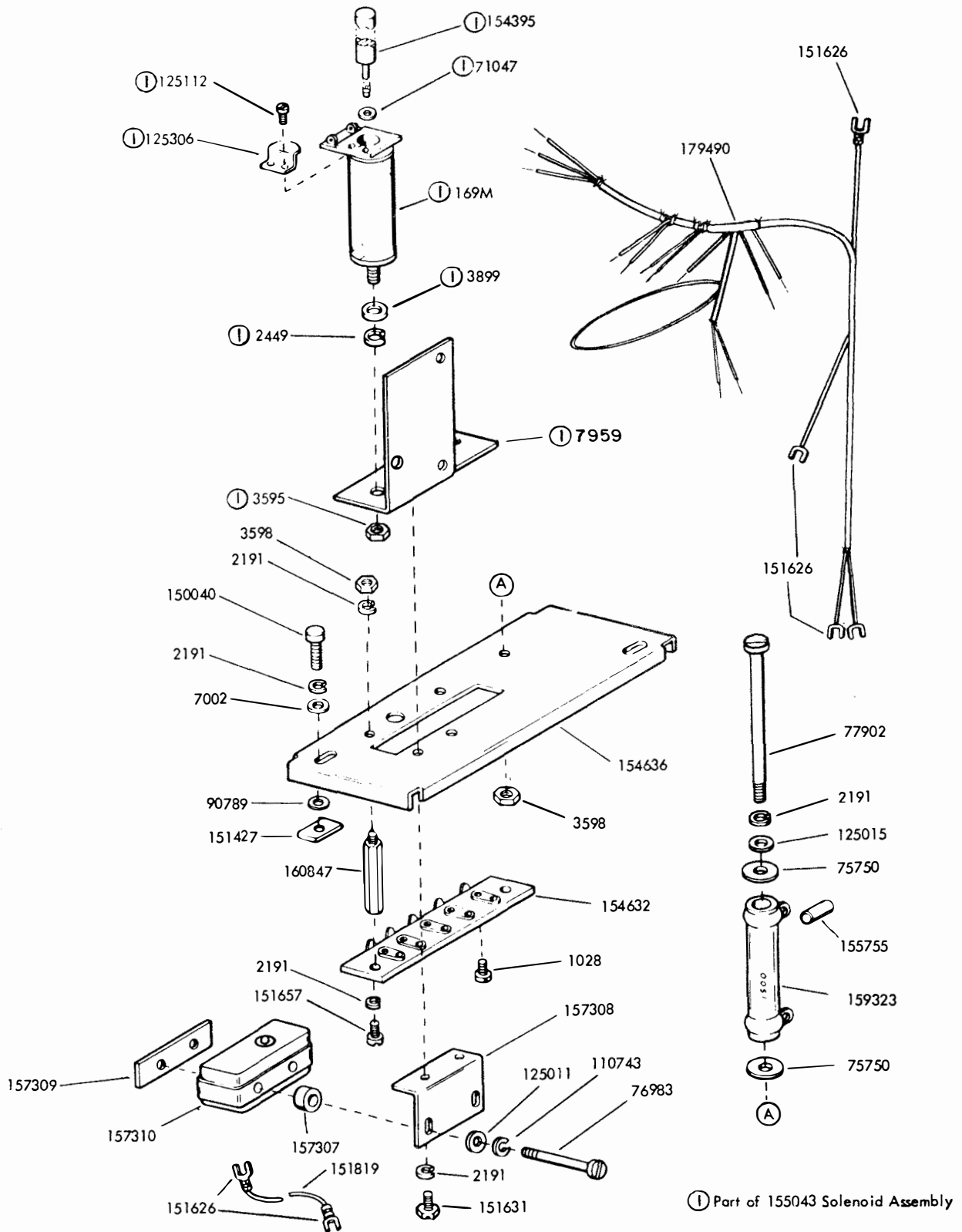


Figure 7-298. Relay Motor Control Assembly 176448

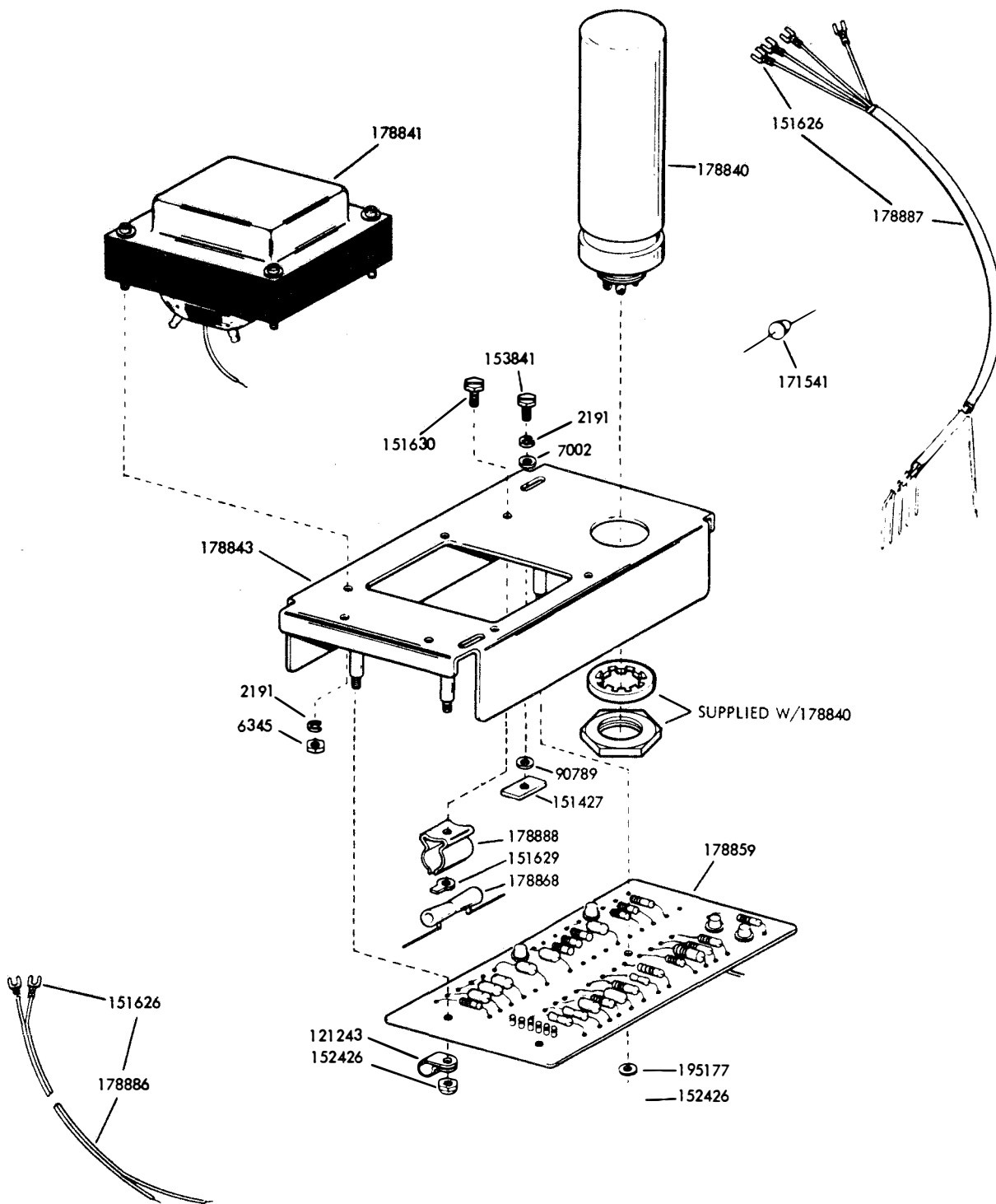
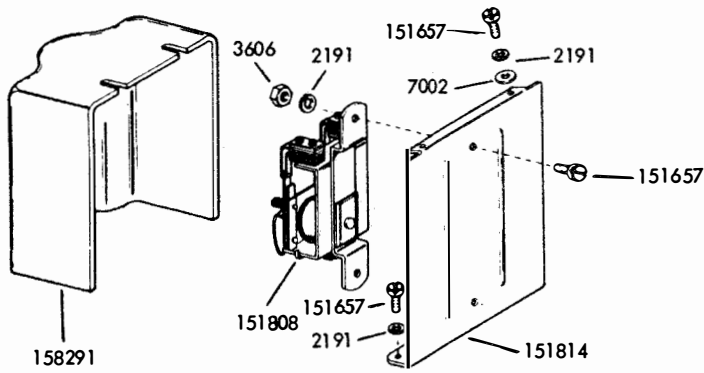
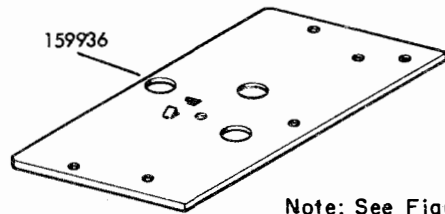
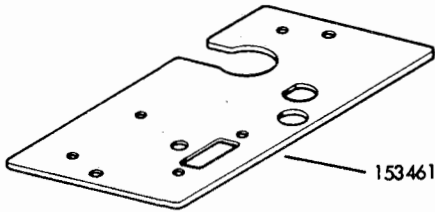


Figure 7-299. Selector Magnet Driver Assembly 177010



Early design signal bell parts



Note: See Figure 7-294 for Late Design Parts.

Figure 7-300. Signal Bell Parts, Early Design

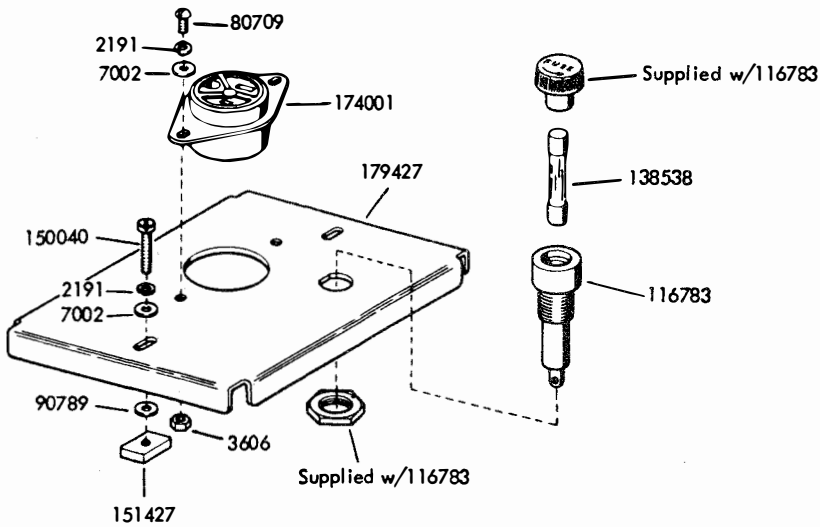


Figure 7-301. Plate Assembly 179426

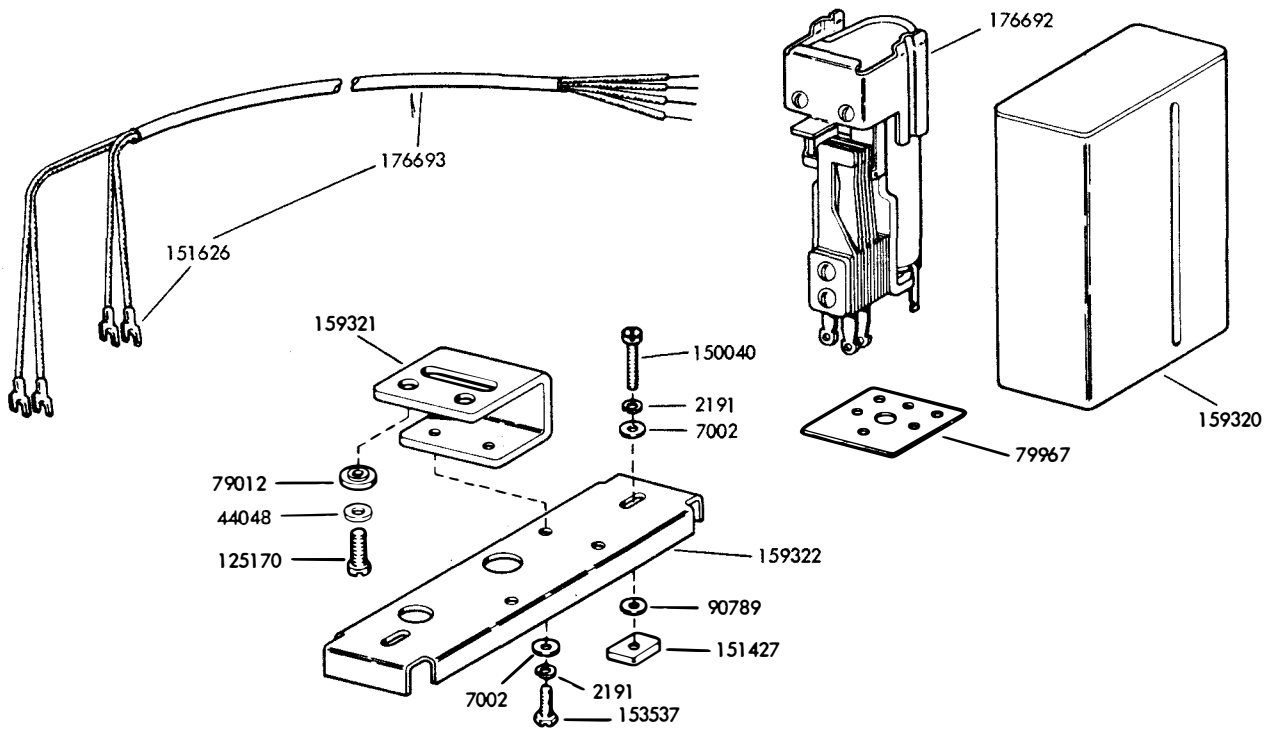


Figure 7-302. Motor Control Assembly 176694

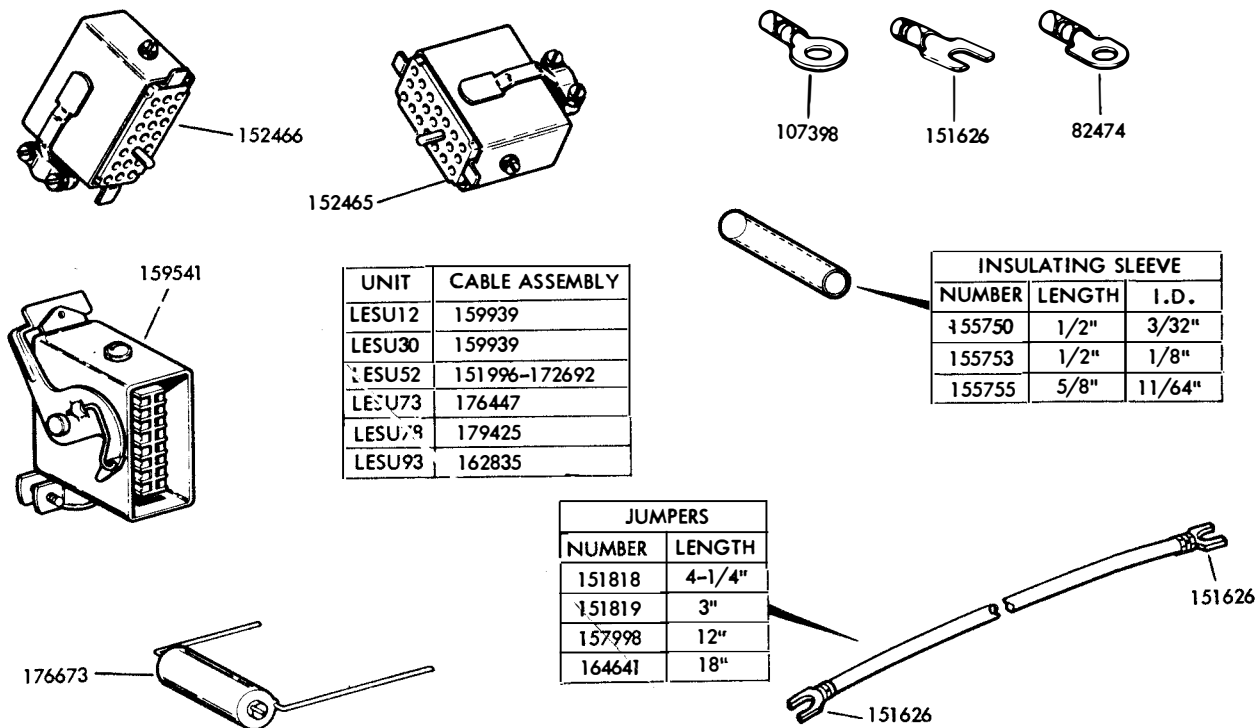


Figure 7-303. Cables, Typing Reperforator Electrical Service Unit

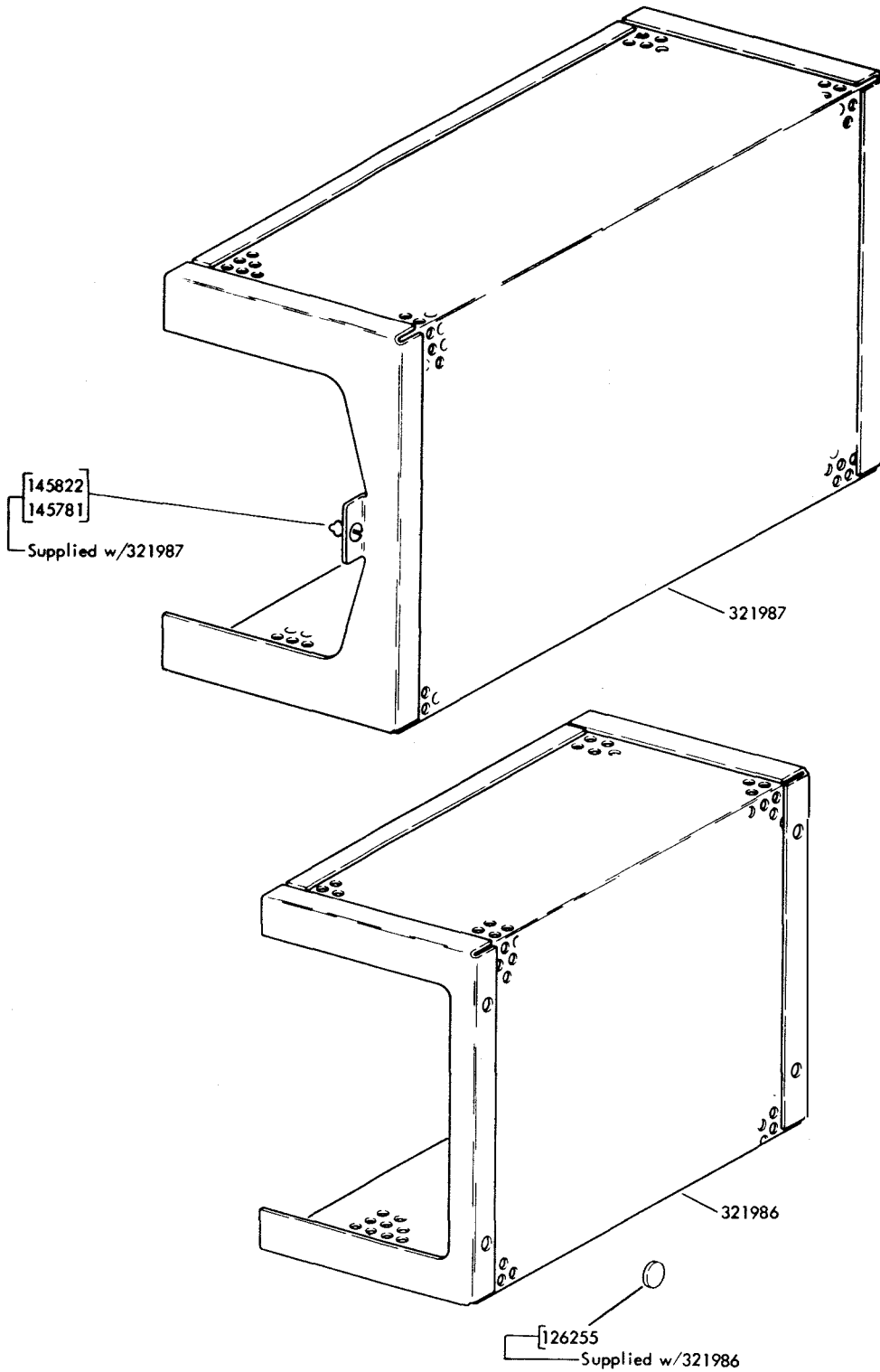


Figure 7-304. Electrical Service Assembly Covers

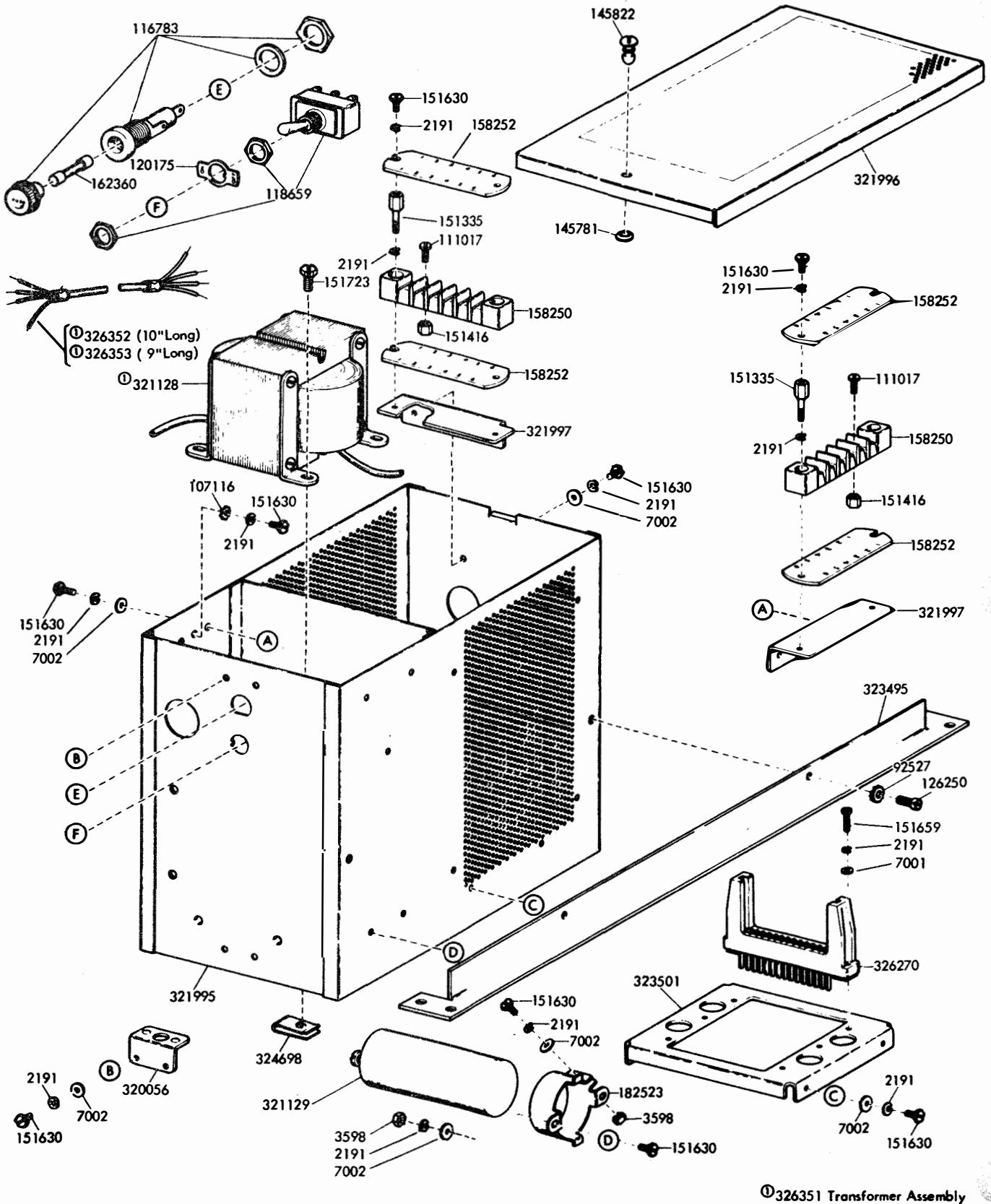


Figure 7-305. Electrical Service Assembly 323812 (Sheet 1 of 2)

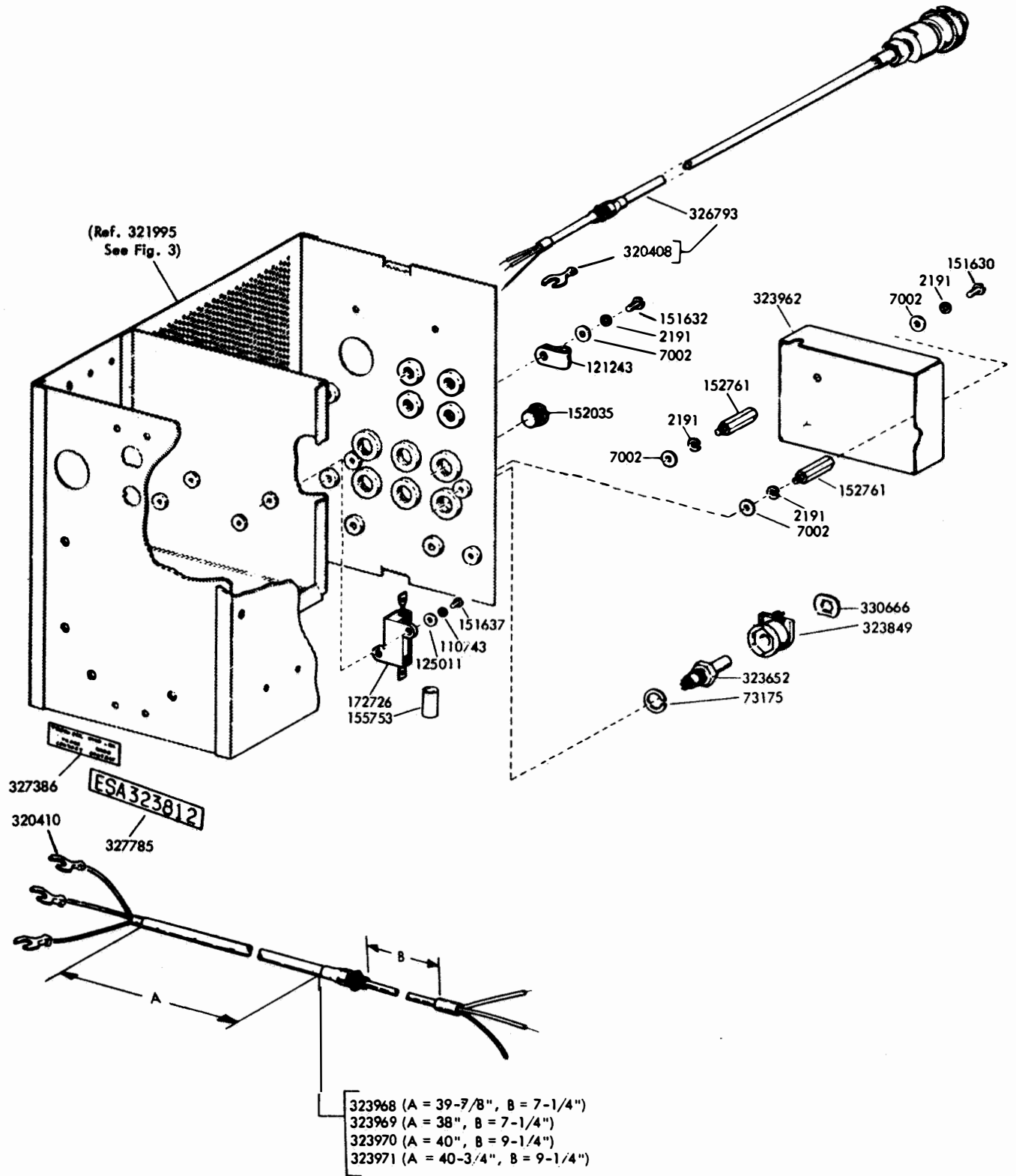


Figure 7-305. Electrical Service Assembly 323812 (Sheet 2 of 2)

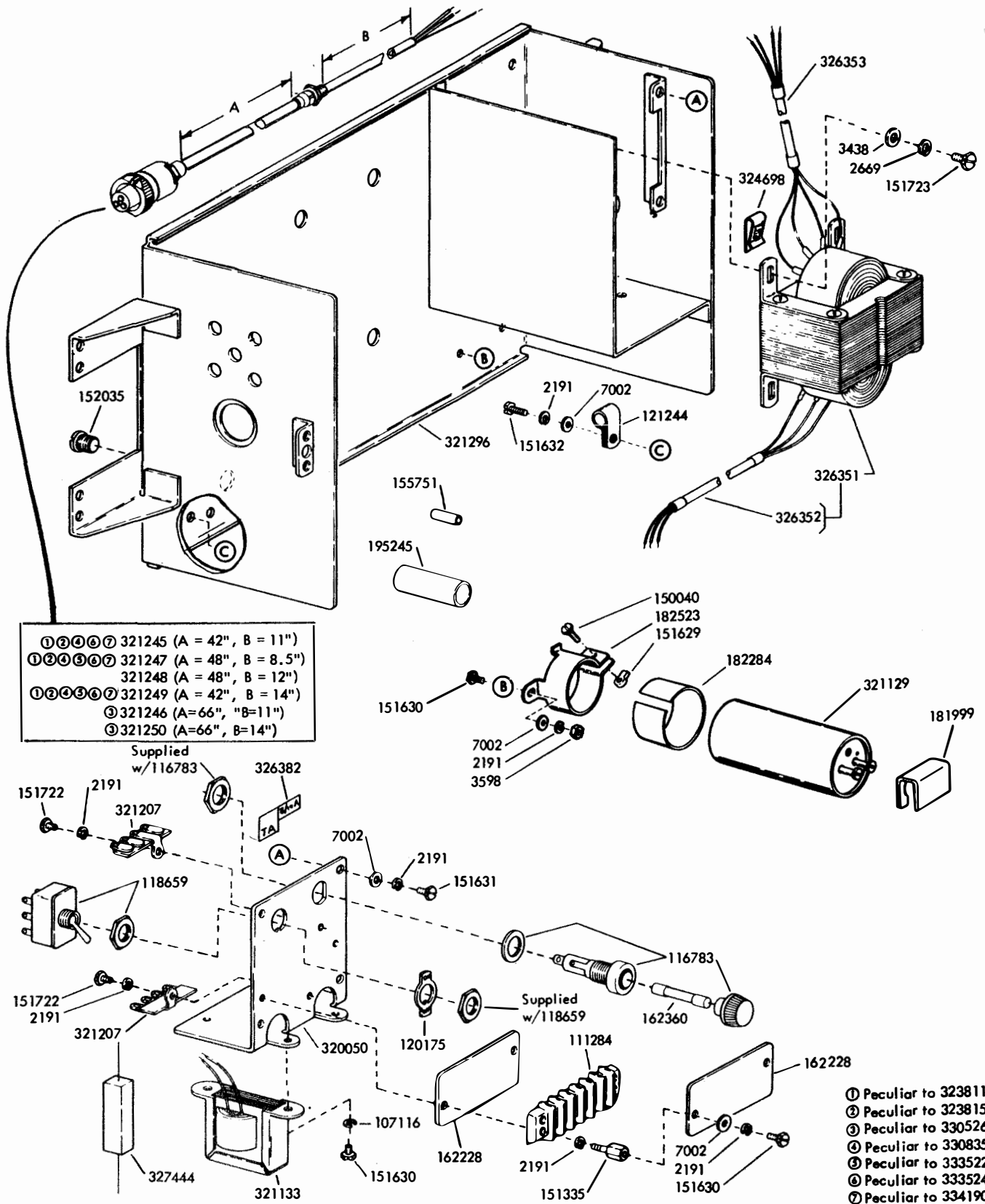


Figure 7-306. Electrical Service Assemblies 323811, 323815, 330526, 330835, 333522, 333524, and 334190 (Sheet 1 of 2)

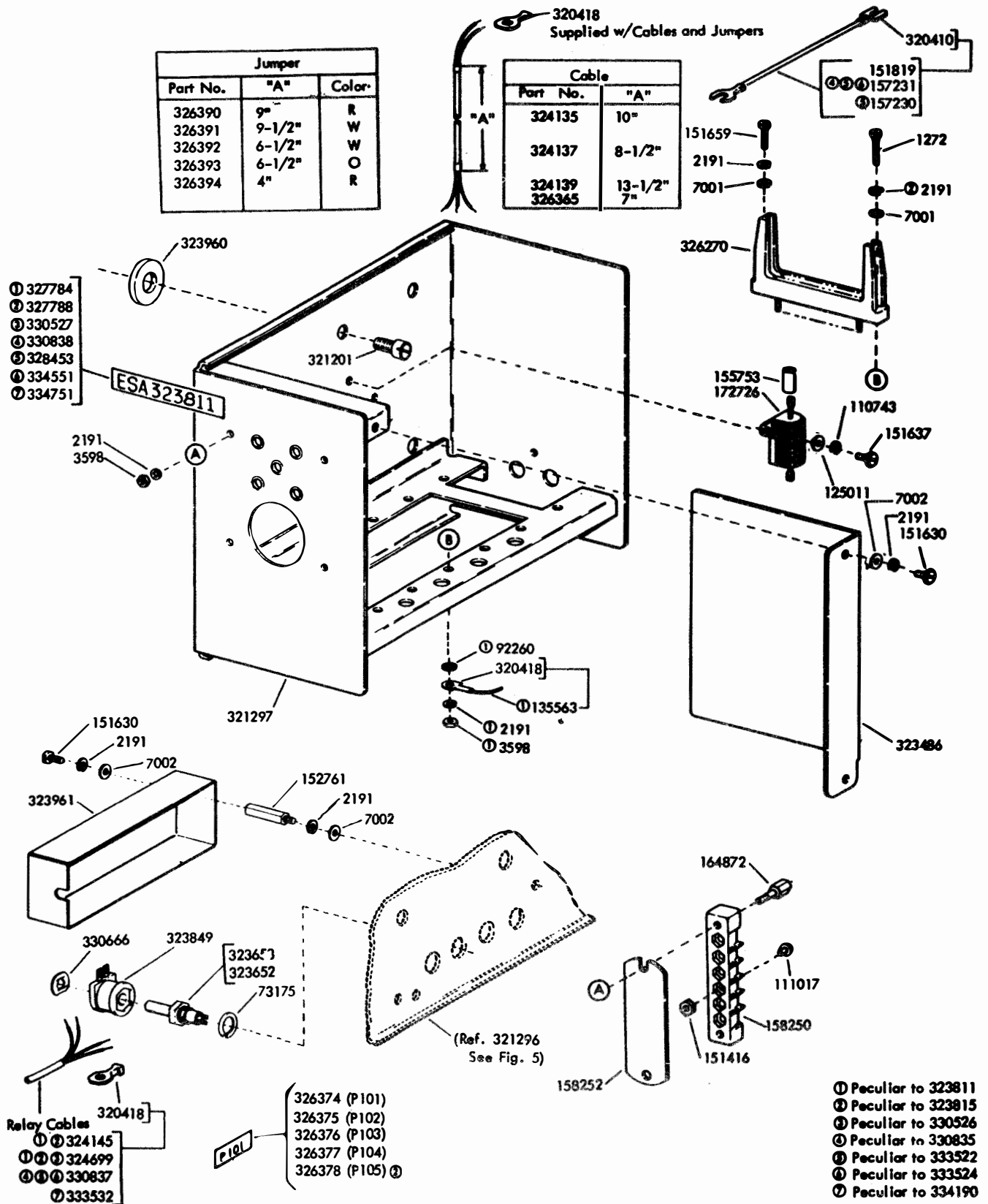


Figure 7-306. Electrical Service Assemblies 323811, 323815, 330526, 330835, 333522, 333524, and 334190 (Sheet 2 of 2)

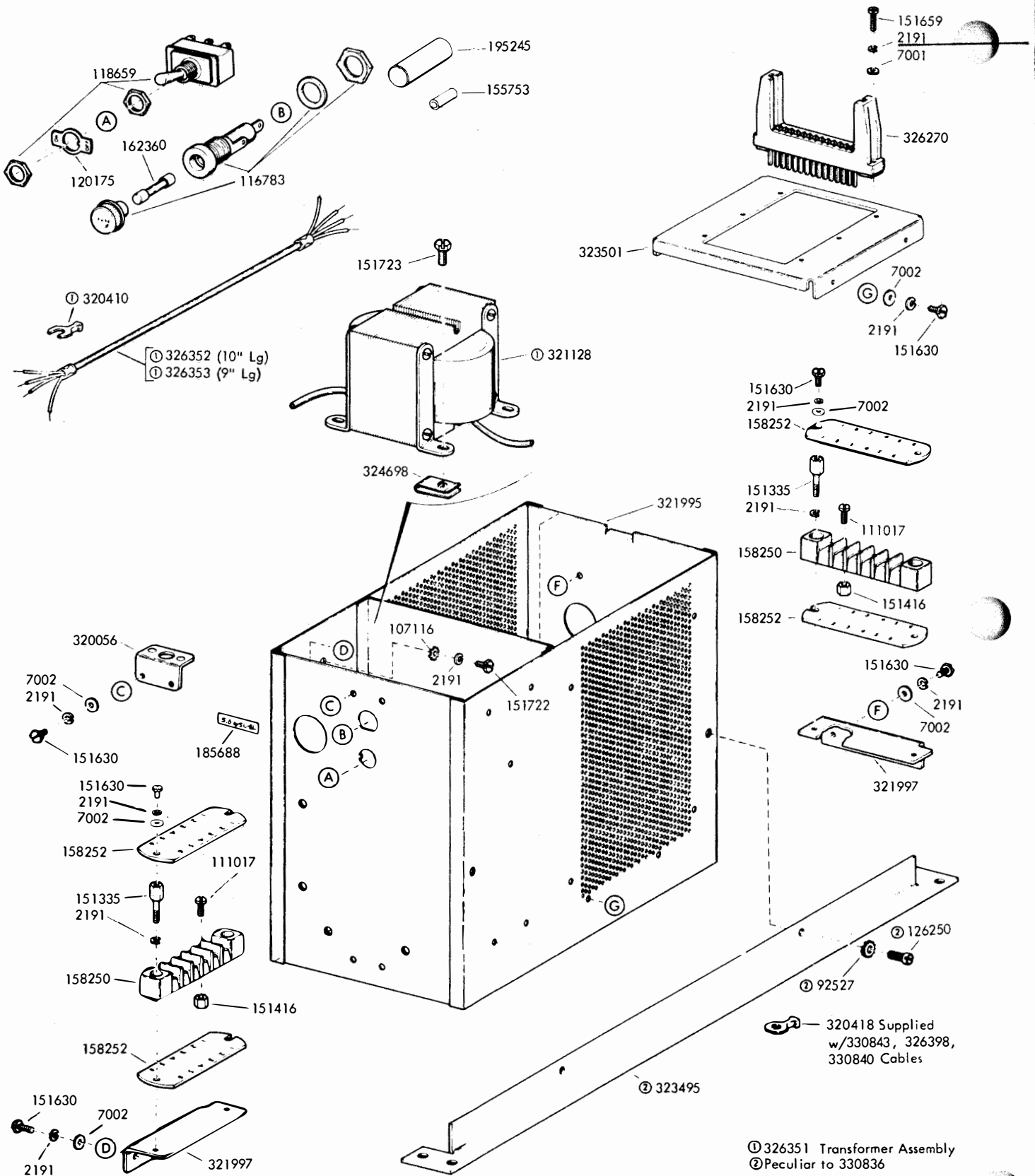


Figure 7-307. Electrical Service Assemblies 330836 and 333523 (Sheet 1 of 2)

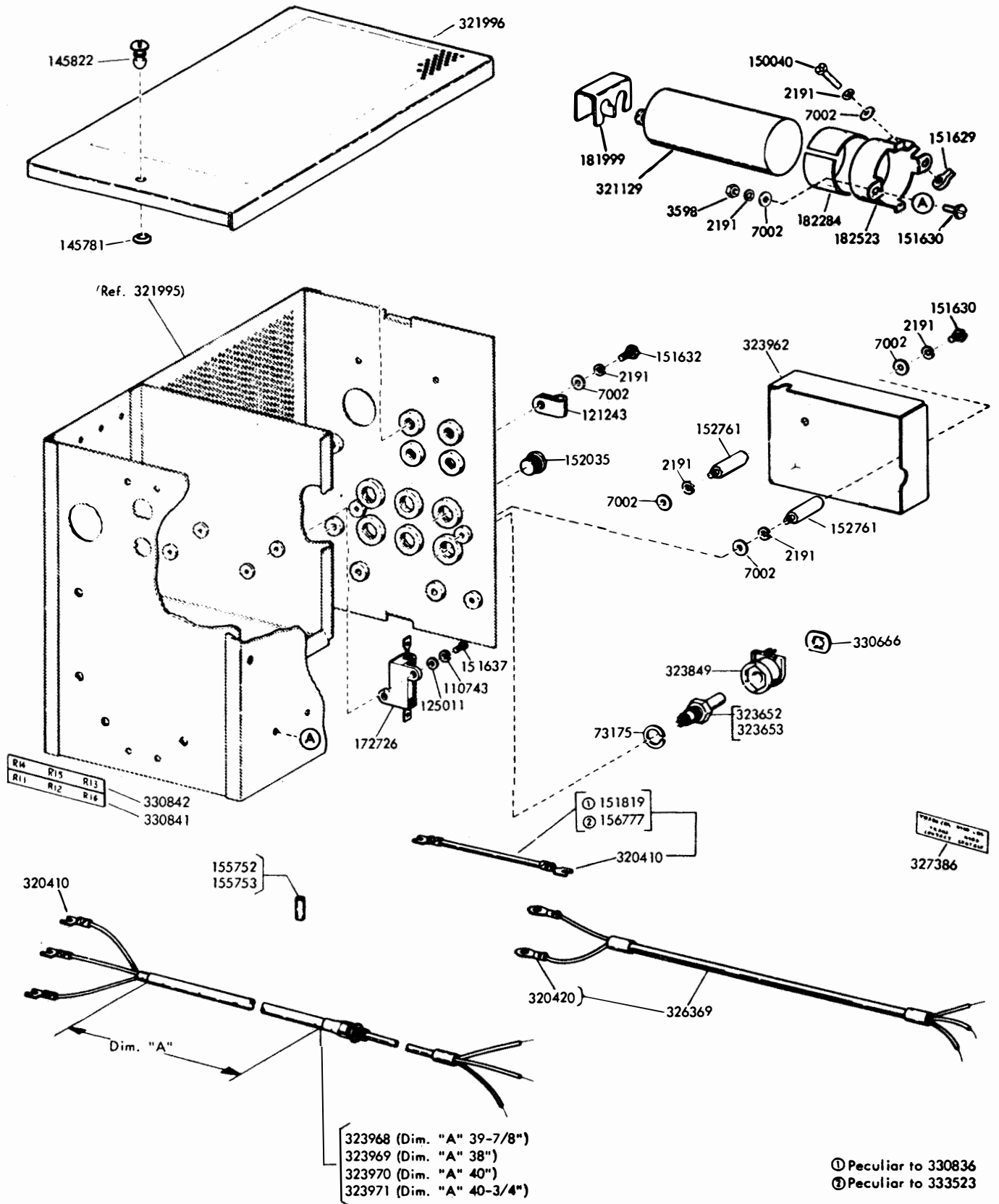
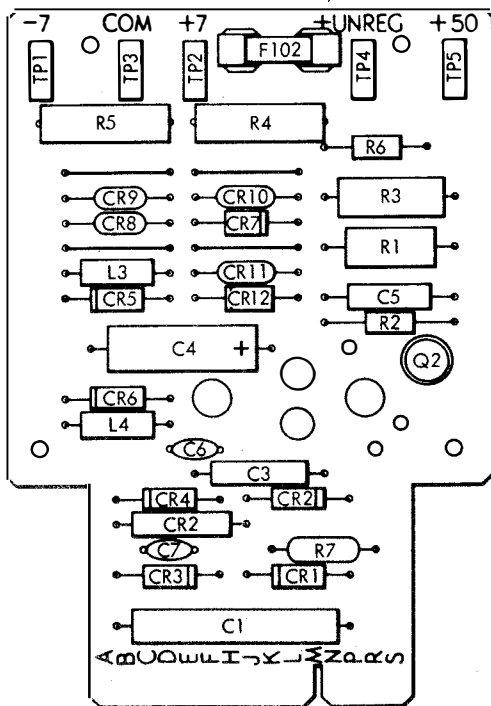
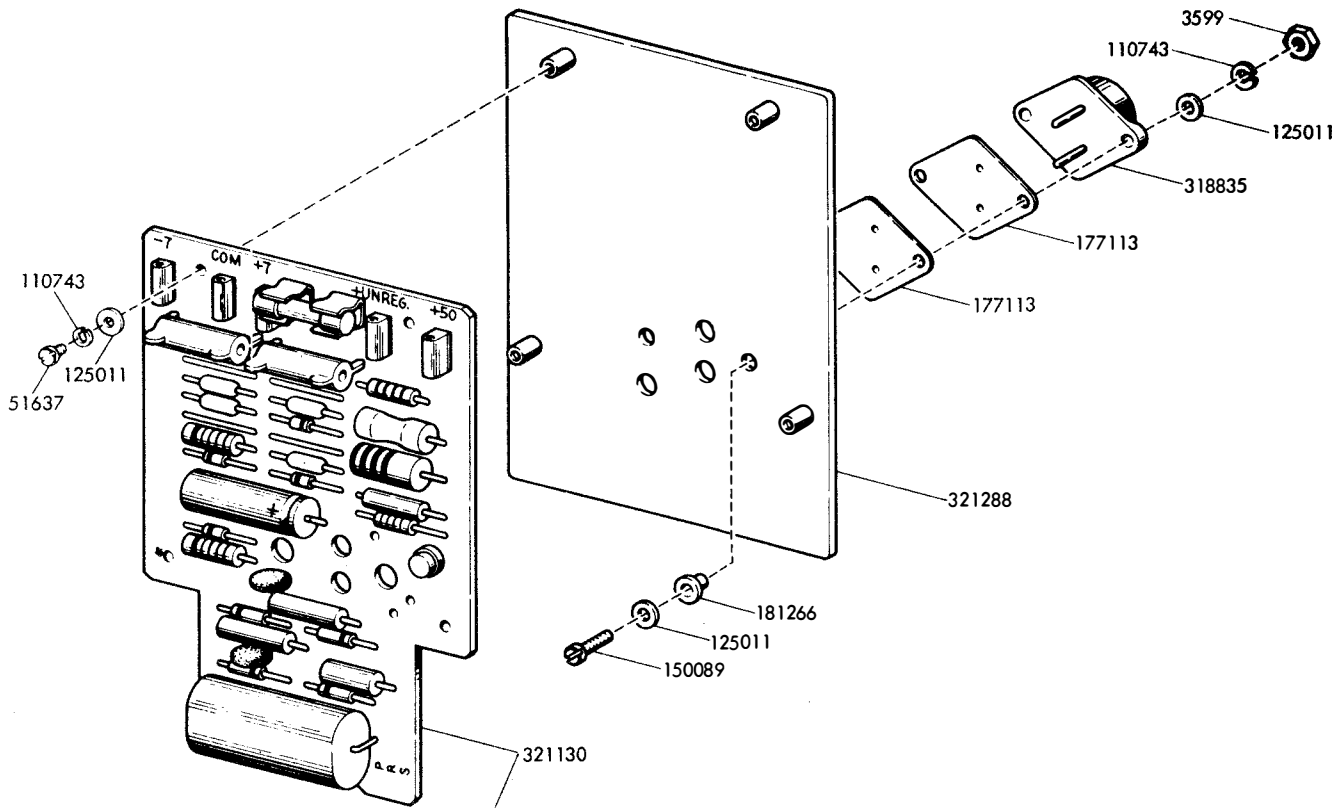
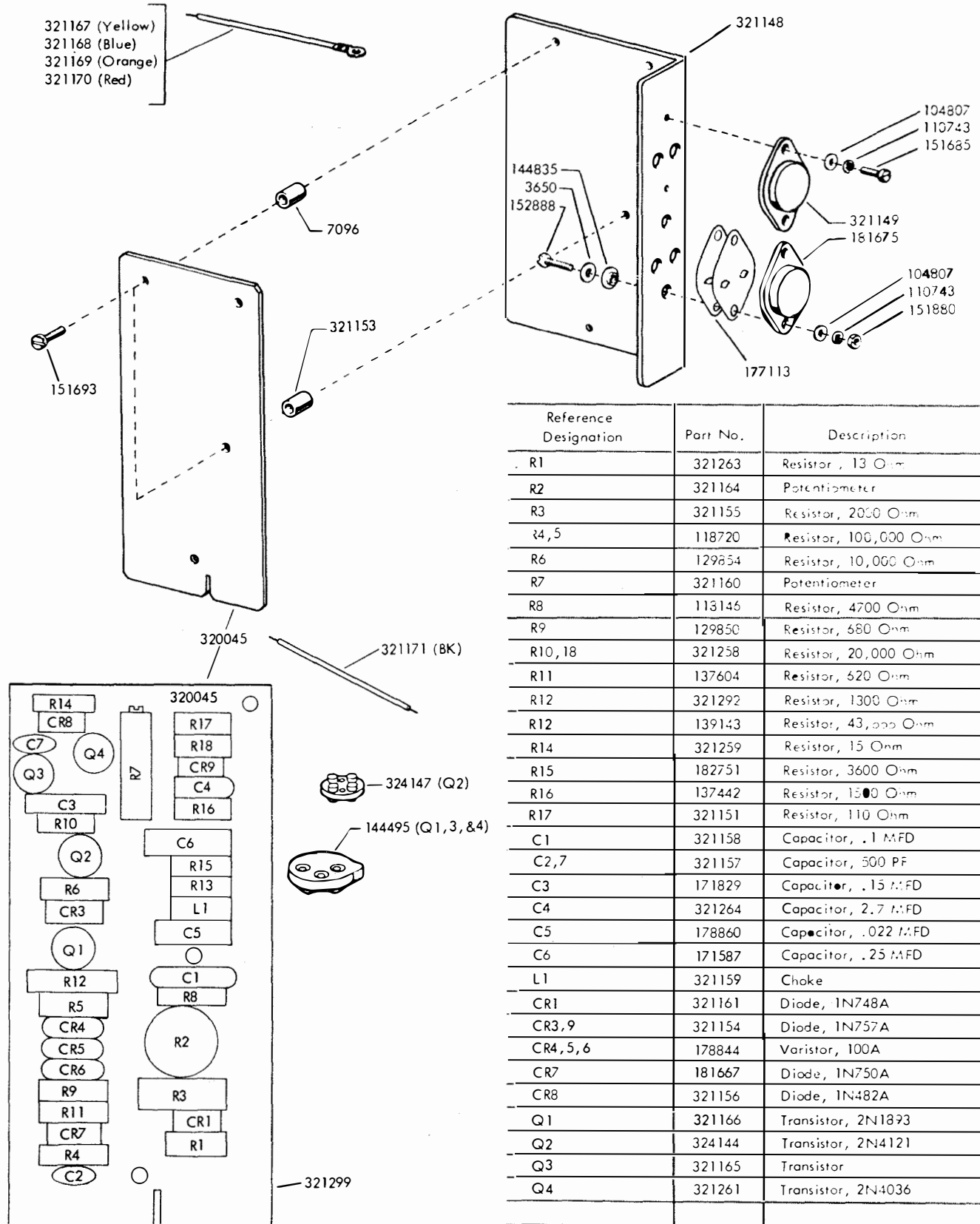


Figure 7-307. Electrical Service Assemblies 330836 and 333523 (Sheet 2 of 2)



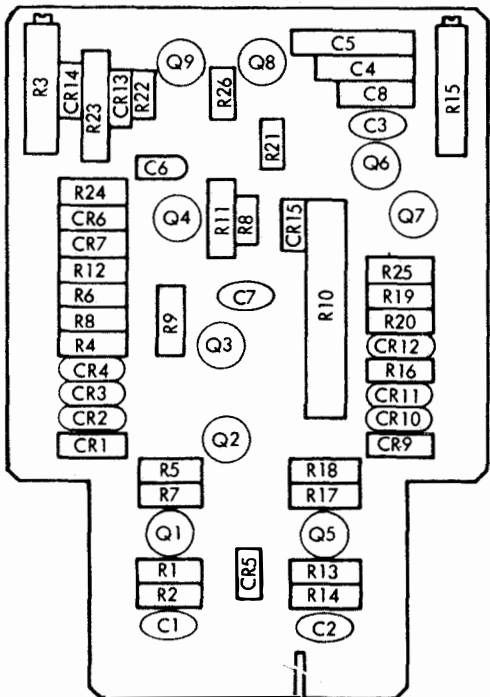
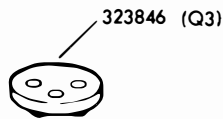
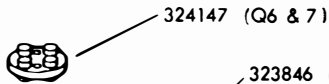
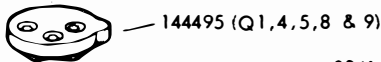
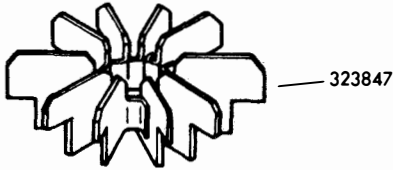
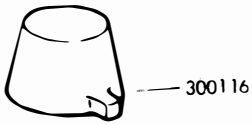
Reference Designation	Part No.	Description
C1	312284	Capacitor, 1.5 MFD
C2, 3	171585	Capacitor, .22 MFD
C4	171831	Capacitor, 10 MFD
C5	178860	Capacitor, .022 MFD
C6, 7	312385	Capacitor, .1 MFD
R1	198937	Resistor, 2700 Ohm
R2, 6	182180	Resistor, 200 Ohm
R3	171533	Resistor, 4 Ohm
R4, 5	311664	Resistor, 2500 Ohm
R7	305298	Resistor, 3300 Ohm
CR1, 2, 3, 4	182520	Diode, IN4383
CR5, 6	327794	Diode, Zener (7.2V)
CR7, 12	321286	Diode, IN4749A
CR8, 9, 10, 11	178844	Varistor, 100A
L3, 4	321159	Choke
Q2	321145	Transistor, 2N2270
TP1	320042	Jack, Test (Slate)
TP2	320041	Jack, Test (Green)
TP3	320039	Jack, Test (Black)
TP4	320040	Jack, Test (Orange)
TP5	320038	Jack, Test (Red)
F102	131807	Fuse, .5 Amp

Figure 7-308. Power Supply Circuit Card (0.5 Amp) 321290



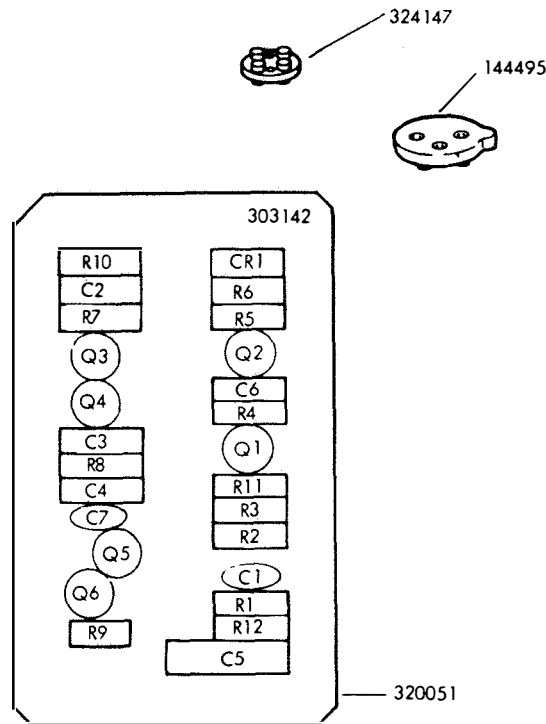
Reference Designation	Part No.	Description
R1	321263	Resistor, 13 Ohm
R2	321164	Potentiometer
R3	321155	Resistor, 2000 Ohm
R4,5	118720	Resistor, 100,000 Ohm
R6	129854	Resistor, 10,000 Ohm
R7	321160	Potentiometer
R8	113146	Resistor, 4700 Ohm
R9	129850	Resistor, 680 Ohm
R10,18	321258	Resistor, 20,000 Ohm
R11	137604	Resistor, 620 Ohm
R12	321292	Resistor, 1300 Ohm
R12	139143	Resistor, 43,000 Ohm
R14	321259	Resistor, 15 Ohm
R15	182751	Resistor, 3600 Ohm
R16	137442	Resistor, 1500 Ohm
R17	321151	Resistor, 110 Ohm
C1	321158	Capacitor, .1 MFD
C2,7	321157	Capacitor, 500 PF
C3	171829	Capacitor, .15 MFD
C4	321264	Capacitor, 2.7 MFD
C5	178860	Capacitor, .022 MFD
C6	171587	Capacitor, .25 MFD
L1	321159	Choke
CR1	321161	Diode, 1N748A
CR3,9	321154	Diode, 1N757A
CR4,5,6	178844	Varistor, 100A
CR7	181667	Diode, 1N750A
CR8	321156	Diode, 1N482A
Q1	321166	Transistor, 2N1893
Q2	324144	Transistor, 2N4121
Q3	321165	Transistor
Q4	321261	Transistor, 2N4036

Figure 7-309. Clutch Magnet Driver Circuit Card 321991



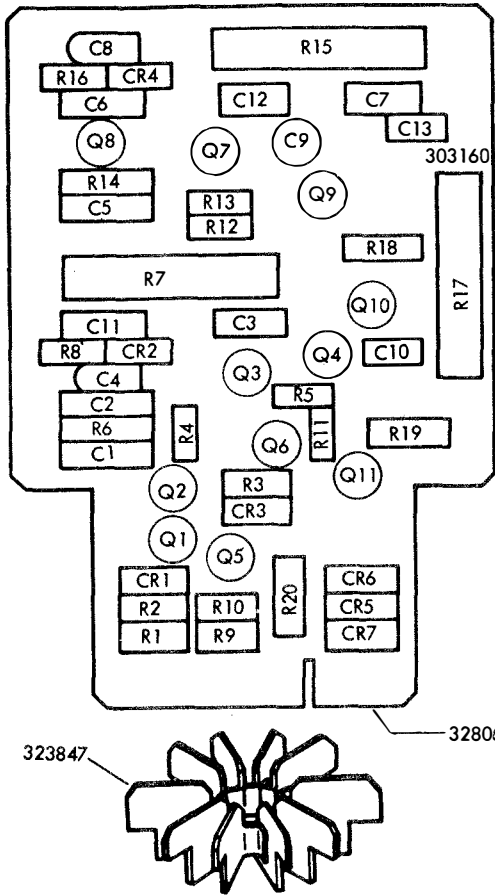
Reference Designation	Part No.	Description
C1, C2, C3, C7	321157	Capacitor, 500 PF
C4	171829	Capacitor, .15 MFD
C5	326776	Capacitor, .47 MFD
C6	321260	Capacitor, 1 MFD
C8	178860	Capacitor, .022 MFD
R1, R2, R13, R14	118720	Resistor, 100,000 Ohm
R3, R15	323964	Potentiometer, 500,000 Ohm
R4, R16	129854	Resistor, 10,000 Ohm
R5, R17, R22	118177	Resistor, 22,000 Ohm
R6, R19	137604	Resistor, 620 Ohm
R7, R18	118146	Resistor, 4,700 Ohm
R8, R20	129850	Resistor, 680 Ohm
R9	309868	Resistor, 1,300 Ohm
R10	323841	Resistor, 300 Ohm
R11	323842	Resistor, 21 Ohm
R12	178864	Resistor, 3,900 Ohm
R21	321975	Resistor, 33 Ohm
R23	323843	Resistor, 590 Ohm
R24	137442	Resistor, 1,500 Ohm
R25	118154	Resistor, 47,000 Ohm
R26	120424	Resistor, 4,300 Ohm
CR1	321154	Diode, 1N457A
CR2, CR3, CR4,		
CR10, CR11, CR12	178844	Varistor, 100A
CR5	181667	Diode, 1N750A
CR6, CR7, CR13,		
CR15	321156	Diode, 1N482A
CR8	321161	Diode, 1N748A
CR9, CR14	321154	Diode, 1N457A
Q1, Q5	321166	Transistor, 2N1893
Q2	323844	Transistor, 2N3053
Q3	321261	Transistor, 2N4036
Q4	323845	Transistor, 40319
Q6, Q7	324144	Transistor, 2N4121
Q8	321165	Transistor, 2N3638A
Q9	321261	Transistor, 2N4036
	324147	Pad, Transistor Mounting
	144495	Pad, Transistor Mounting
	323846	Pad, Transistor Mounting
	323847	Sink, Heat
	300116	Cover, Insulating
	323835	Card, Circuit

Figure 7-310. Selector Magnet Drive Circuit Card 323810



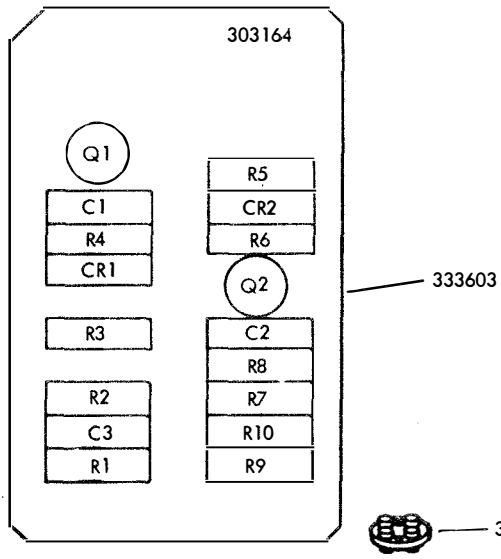
Reference Designation	Part No.	Description
R1&3	118720	Resistor, 100,000 Ohm
R2	118178	Resistor, 220,000 Ohm
R4&8	129854	Resistor, 10,000 Ohm
R5&6	321204	Resistor, 13,000 Ohm
R7&10	118147	Resistor, 6800 Ohm
R9	137438	Resistor, 100 Ohm
R11&12	118146	Resistor, 4700 Ohm
CR1	197464	Diode, 1N914
C1&7	321157	Capacitor, 500 PF
C2	320048	Capacitor, 0.5 MFD
C3&4	320049	Capacitor, 0.15 MFD
C5	320047	Capacitor, 2 MFD
C6	181618	Capacitor, 0.01 MFD
Q1,4&6	315930	Transistor, 2N3568
Q2	324144	Transistor, 2N4121
Q3&5	315931	Transistor, 2N3638

Figure 7-311. Low-Level Keyer Circuit Card 303142



Reference Designation	Part No.	Description
R1, 4, 9 & 12	323148	Resistor, 18,000 Ohm
R2 & 10	330643	Resistor, 56,000 Ohm
R3 & 11	323147	Resistor, 36,000 Ohm
R5 & 13	315955	Resistor, 2200 Ohm
R6 & 14	178863	Resistor, 3300 Ohm
R7, 15 & 17	193229	Resistor, 300 Ohm
R8 & 16	315957	Resistor, 3300 Ohm
R18	118180	Resistor, 10,000 Ohm
R19	120424	Resistor, 4300 Ohm
R20	327793	Resistor, 18 Ohm
C1, 2, 3, 5, 6, 7, 11 & 12	330593	Capacitor, .02 MFD
C4 & 8	321264	Capacitor, 2.7 MFD
C9, 10 & 13	321157	Capacitor, 500 PF
CR1, 3, 5, & 6	321156	Diode, 1N482A
CR2 & 4	321154	Diode, 1N457A
CR7	321161	Diode, 1N748A
Q1, 2, 5 & 6	315930	Transistor, 2N3568
Q3, 7 & 10	302865	Transistor, 2N4354
Q4 & 8	321261	Transistor, 2N4036
Q9	323844	Transistor, 2N3053
Q11	323845	Transistor, 40319

Figure 312. Dual-Neutral Clutch Magnet Driver Circuit Card 303160

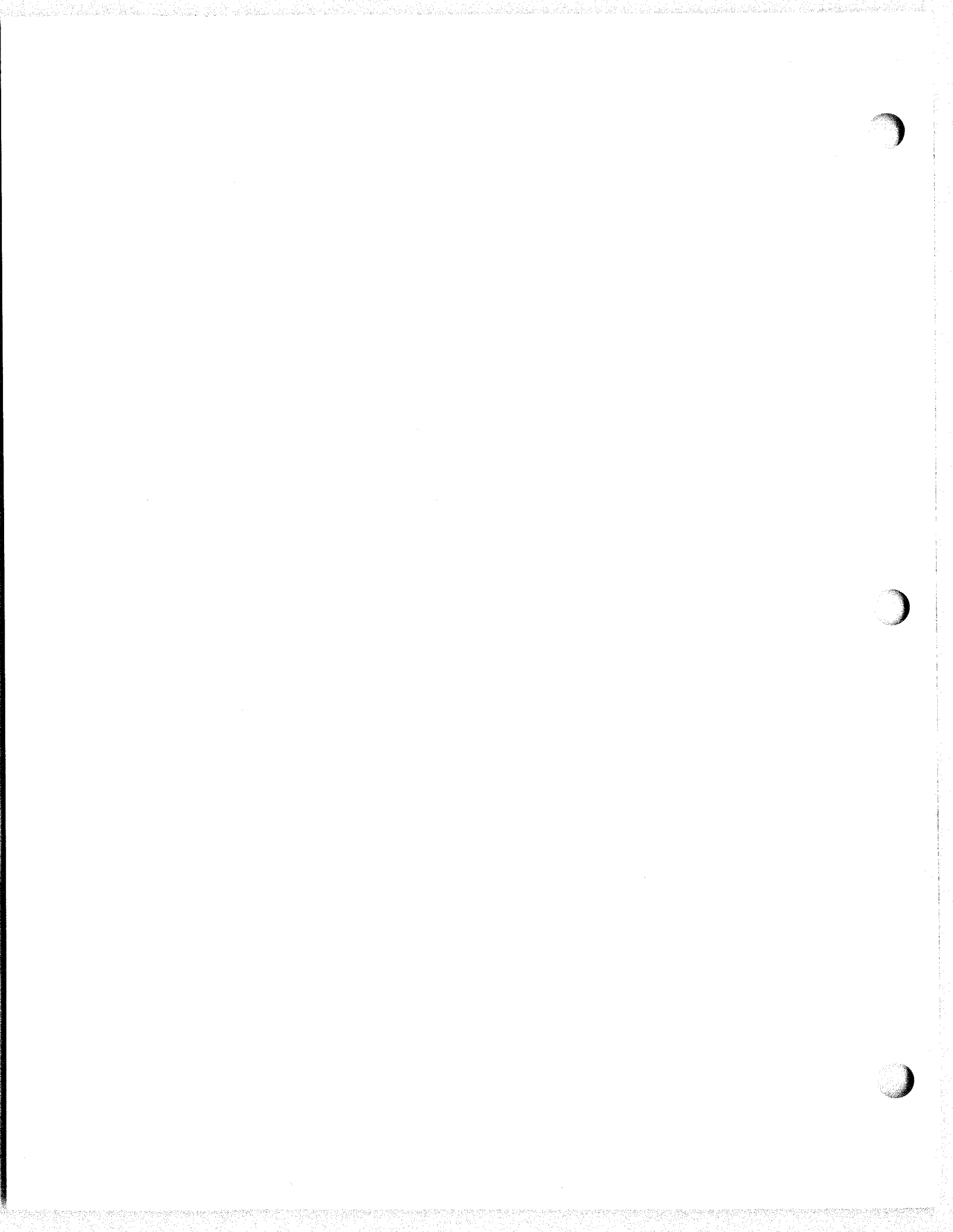


Reference Designation	Part No.	Description
R1	330644	Resistor, 390,000 Ohm
R2	118156	Resistor, 56,000 Ohm
R3	330642	Resistor, 1,300,000 Ohm
R4	118166	Resistor, 560,000 Ohm
R5, 6, 7	118177	Resistor, 22,000 Ohm
R8	137438	Resistor, 100 Ohm
R9	165072	Resistor, 9100 Ohm
R10	137441	Resistor, 1200 Ohm
C1	315976	Capacitor, 470 PF
C2	310926	Capacitor, .15 MFD
C3	312385	Capacitor, .1 MFD
CR1, 2	197464	Diode, 1N914
Q1, 2	323934	Transistor, 2N3565

Figure 7-313. Clock Amplifier Circuit Card 303164

Table 7-14. List of Abbreviations

#	Number	NC	Normally-Closed
"	Inch	No.	Number
&	and	NO	Normally-Open
x	by	OPM	Operations per Minute
A	Ampere (comb form)	Pf	Picofarad
AC	Alternating Current	PS	Power Supply
Amp	Ampere	Pt	Point
Approx	Approximately	Rcpt	Receptacle
Ccw	Counterclockwise	Rd	Round
CMD	Clutch Magnet Driver	Ref	Reference
comb	Combination	RFI	Radio Frequency Interference
DC	Direct Current	RPM	Revolutions per Minute
Dia	Diameter	Shldr	Shoulder
Dim	Dimension	SL-BL	Slow-Blow
DP-DT	Double-Pole-Double-Throw	SMD	Selector Magnet Driver
ESA	Electrical Service Assembly	S.O.P.	Set of Parts
Fig.	Figure	SP	Single-Pole
Fil	Fillister	SP-ST	Single-Pole-Single-Throw
Hex	Hexagon	Spl	Special
Hp	Horsepower	Sq	Square
Hz	Hertz	Sqh	Square Head
ID	Inside Diameter	Std	Standard
Ident	Identification	T	Teeth
In.	Inch	Thk	Thick
K	Kilo	Thru	Through
Lg	Length, Long	TP-DT	Triple-Pole-Double-Throw
LLK	Low-Level Keyer	V	Voltage
mA	Milliampere	w/	With (comb form)
Mfd	Microfarad	w/o	Without
Mod	Modification	WPM	Words per Minute
Mtg	Mounting		



CHAPTER 8
INSTALLATION

8-1. INTRODUCTION. This chapter provides instructions for installation and checkout of Automatic Send-Receive (ASR) Teletypewriter Sets Model 28. A typical Model 28 ASR set is shown in Figure 8-1. The general arrangement of components of the ASR set is shown in Figure 8-2.

8-2. ASR SET COMPONENTS. Essentially, a complete Model 28 ASR set consists of the following basic Model 28 units, some of which may be provided with various accessories for different service requirements:

- a. ASR Cabinet Assembly - LAAC
- b. Electrical Service Unit - LESU
- c. Keyboard Perforator-Transmitter - LAK, LTPE
- d. Typing Unit - LP
- e. Motor Unit - LMU
- f. Transmitter Distributor Unit - LXD
- g. Base for Transmitter Distributor Unit - LCXB
- h. Two (or three) sets of gears (depending on the apparatus to be installed in the cabinet) must be ordered as separate items for desired speed of operation. For part numbers, refer to Parts List, Chapter 7.
- i. Auxiliary Typing Reperforator (LPR)

- j. Auxiliary Typing Reperforator Base (LRB)

8-3. INSTALLATION PROCEDURES. Installation procedures for high-level ASR sets are provided in paragraph 8-3.1. Information pertinent to low-level ASR sets is covered in paragraph 8-3.2.

8-3.1 INSTALLATION PROCEDURES (HIGH-LEVEL). When assembling a Model 28 ASR set, the components should be installed in the following sequence:

Cabinet Assembly

Electrical service unit

Perforator-transmitter base motor unit, gears for both the typing unit and the punch mechanism

Typing unit

TD unit and base

Auxiliary typing reperforator and base

a. Unpacking. If the set is being assembled from new components, observe the following precautions:

(1) Unpack all components with care.

(2) Observe all caution labels and instructions.

(3) All bags and loose parts should be kept with their associated components until used to assemble the set.

b. Cabinet Assembly Installation. Install cabinet assembly as follows:

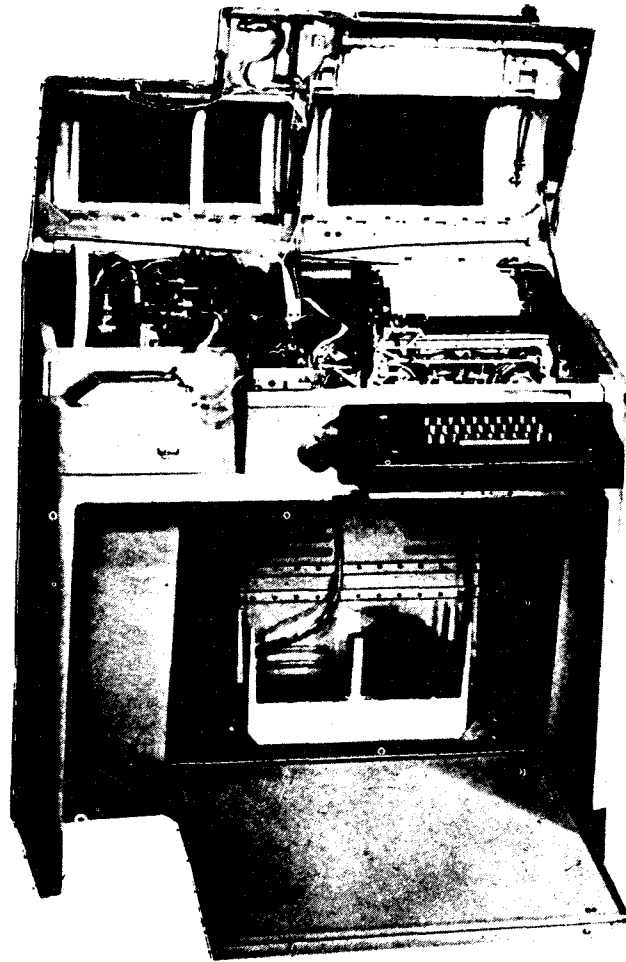


Figure 8-1. Typical Automatic Send-Receive (ASR) Set

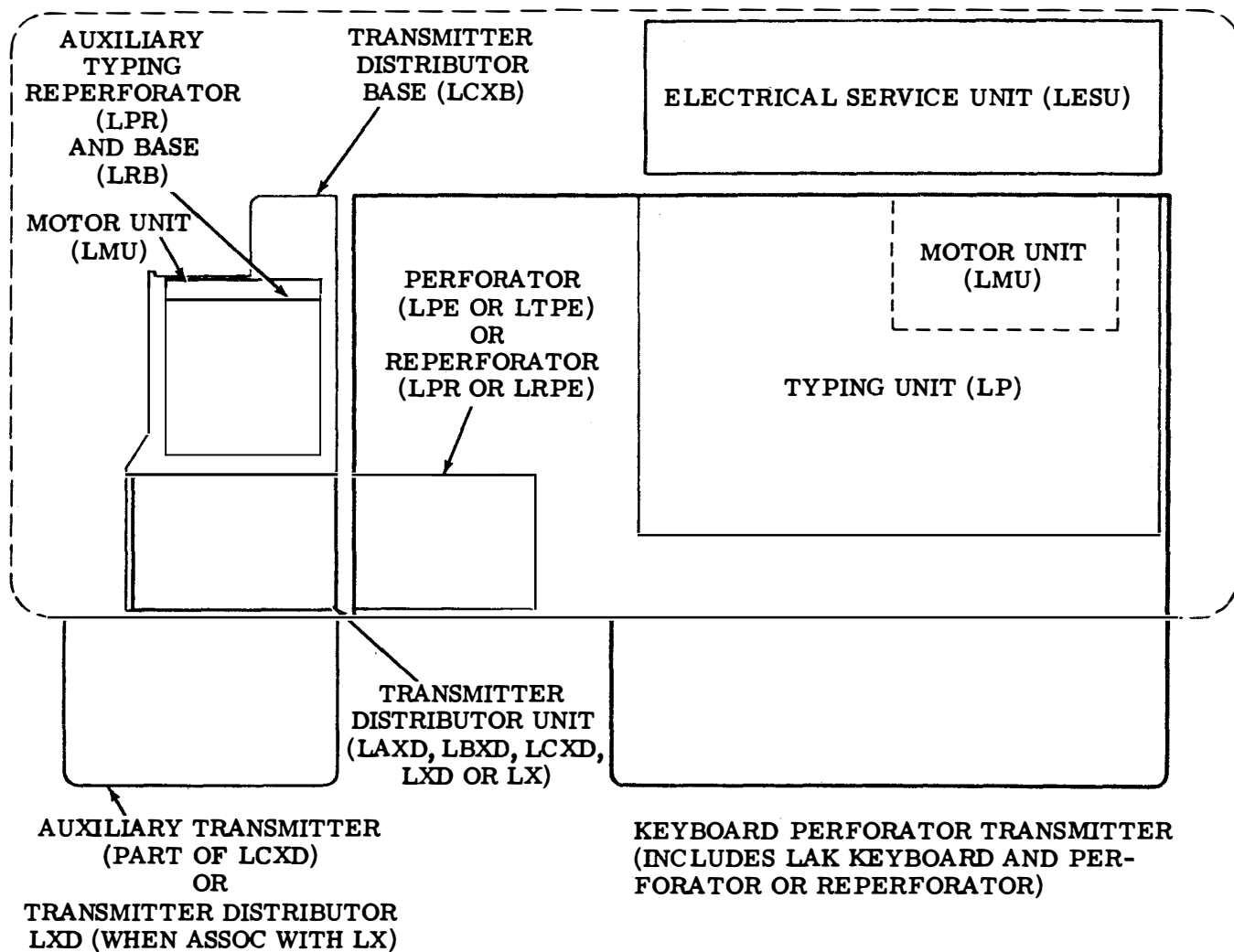


Figure 8-2. Location of Units in Automatic Send-Receive Cabinet, Top View

(1) Adjust the four feet of the cabinet using a 3/4-inch open-end wrench, until cabinet is level. If desired, a maximum of one-inch increase in cabinet height may be obtained by this adjustment. This adjustment may be modified at time of station installation, if necessary. Refer to Figure 8-3. If it is desirable to secure cabinet directly to a mounting surface, remove and discard the four feet.

(2) In selecting mounting bolts to be used, make certain that they are of such length as to engage all the threads in holes from which feet have been removed.

c. Cabinet Assembly Electrical Connections. Using available electrical routing access holes, perform electrical connections as follows:

(1) Remove cover plate from right rear corner of floor in lower compartment of cabinet. Remove two punchouts from cover plate and reinstall cover plate in floor of cabinet. Install clamp bushings in two punched-out holes and feed signal line and power cords through and then up through hole in right rear corner of shelf of apparatus compartment. If additional cable thickness is required, wind clamping point of cord with electrical or friction tape.

(2) Make power and signal line circuit connections to cabinet, and attach various units comprising set, in accordance with appropriate wiring diagrams furnished with cabinet.

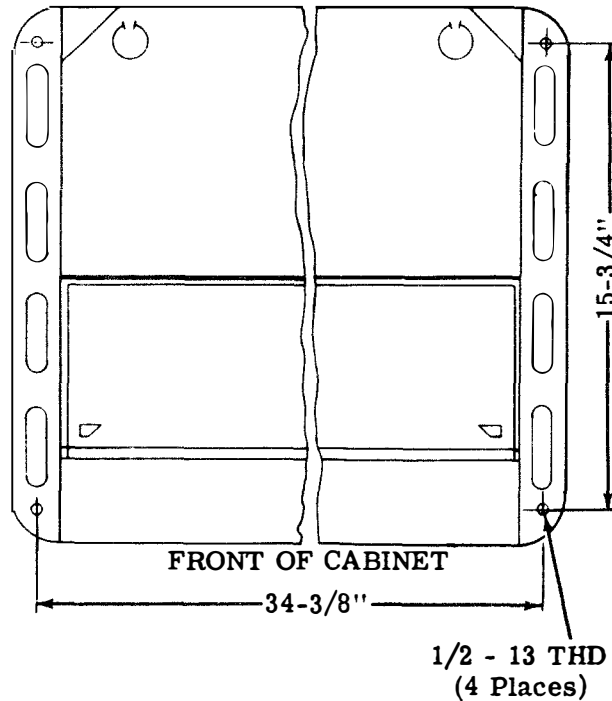


Figure 8-3. Securing Automatic Send-Receive Cabinet to Mounting Surface, Bottom View

NOTE

At time of station installation, screw located on right rear of cabinet, above C40 terminal, should be connected to common station ground.

(3) Insert shaft of power switch under right base angle of cradle so that control handle protrudes through hole provided in right front of cabinet. Shaft rests on spring, mounted under right end of rear base rail. Arm bracket is to rear of, but just touching, rear base rail of cradle. Shaft handle should point to right.

CAUTION

In order to prevent transmission of vibrations to cabinet and thereby to aid in reduction of operating noise level, be sure that all components of set are mounted in such a way that they do not come in direct contact with cabinet shell.

d. Installation of Separately Ordered Accessories. Installation instructions for the separately ordered accessories are included with each accessory; for example:

(1) Offset Copyholder - Specification 5736S.

(2) Directory Holder (Furnished with LAAC209*, LAAC210*, and LAAC236* Cabinets) - Specification 5729S.
* - Denotes a suffix which indicates the color of paint finish.

(3) Apparatus Mounting Rack - Specification 5730S.

(4) Relay Rack - Specification 5915S.

(5) Mounting of Electrical Service Unit on Relay Rack - Specification 5928S.

(6) Subbase to permit Stand-Up Operation of ASR Set - Specification 5846S.

(7) Check each accessory package for installation specification.

e. Electrical Service Unit Installation. Install electrical service unit as follows:

(1) Insert LINE-TEST key shaft under left side of cradle in cabinet so that control handle protrudes through hole provided in center front of cabinet. Shaft rests on spring mounted on left end of rear base rail. Arm bracket is to rear of, but just touching, rear base rail of cradle. Shaft handle should point to left.

(2) Place electrical service unit in rear right corner of cabinet behind cradle with legs extending upward and nameplate facing front. Install two mounting studs through holes in electrical service unit container and into threaded holes in cabinet shelf.

(3) Connect cabinet terminal block cables in accordance with wiring diagram for particular cabinet and electrical service unit being used.

(4) Route each cable which connects to typing unit, perforator-transmitter base, and

transmitter distributor, to approximate location where it will later be connected to its respective component.

(5) Make necessary strap connections at cabinet terminal block as shown in wiring diagram for electrical service unit.

(6) Fasten power switch fork to bracket arm of power switch with screw, lockwashers, and washers provided. Place fork end over power switch on electrical service unit and locate end of power switch shaft in hole near right end of container. Right-angle shaft should point to right. Make certain that groove in end of shaft engages hole in electrical service unit container.

(7) Repeat step (6) for LINE-TEST key on left side of electrical service unit, with exception that control shaft should point to left.

f. Keyboard, Perforator-Transmitter, Motor Unit, and Typing Unit Installation.

(1) Initial Assembly Before Installation in Cabinet. Prior to installing in cabinet, assemble above units as follows:

(a) Place motor unit on right rear portion of perforator-transmitter base and line up screw holes of motor mounting plate with those of motor mounting strip. Secure motor unit to base with three of four mounting screws (with captive lockwashers). At this time omit screw from left rear corner of motor mounting plate.

(b) Connect motor leads to terminals 1 and 2 of terminal block on perforator-

transmitter base just to left of motor unit.

(c) Install gears for 60, 75, or 100 wpm operation as follows: Refer to Figure 8-4.

1. Remove screw and lockwasher from left end of motor shaft. Place motor pinion on motor shaft with gear end toward motor. Secure gear with screw and lockwasher previously removed. Alternately, pinion gear may be designed to be secure with one 159287. Then install coupling 173645 or 193565 on motor shaft.

2. Remove two screws and lockwashers from hub on right end of intermediate gear shaft. Mount typing unit intermediate driven gear on shaft with flat side of gear to right. Secure gear with two screws and lockwashers just removed. Make certain motor gear and typing unit intermediate driven gear are properly meshed.

3. Slide end of motor coupling shaft into coupling end of motor gear. Slide coupling with setscrews over shaft with bearings and pinion gear that drives perforator. Properly seat shafts in couplings and tighten setscrews in both couplings. Place gear guard over motor pinion, and match screw hole in gear guard with rear left screw hole of motor mounting plate. Secure guard with remaining motor mounting screw.

4. Place typing unit on keyboard base mechanism with front feet of typing unit placed over its locating studs. Rotate motor shaft by hand until gear teeth are meshed. Secure typing unit

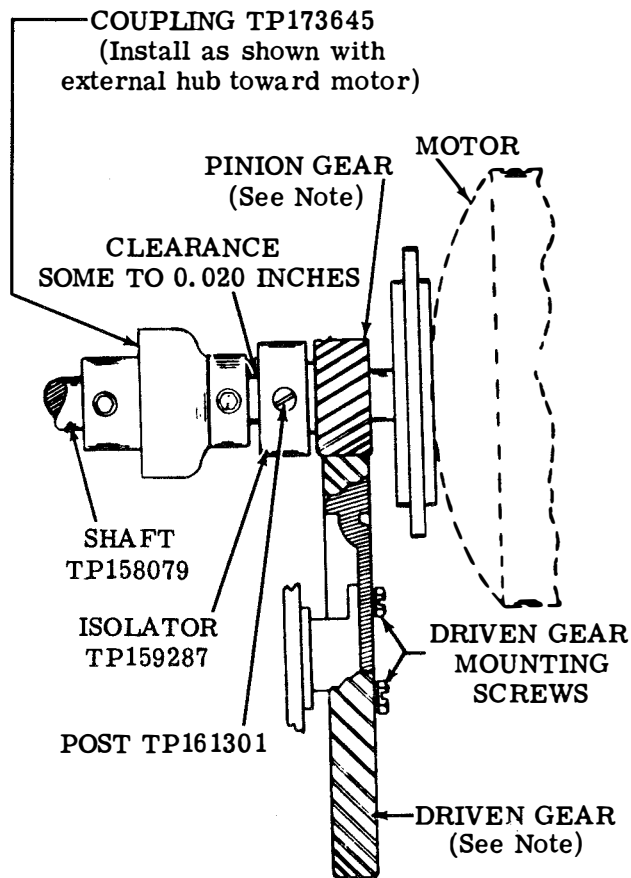


Figure 8-4. Installation of Motor Pinion, Gear and Flexible Coupling

to base using four mounting screws with captive lockwashers.

(2) Adjustments

Before Installation. Perform the following adjustments prior to installing units in cabinet:

(a) Typing Unit to Signal Generator. There should be a barely perceptible amount of backlash between signal generator gear and typing unit main shaft gear at their closest point. To adjust, remove signal generator and add or remove shims beneath rear of signal generator frame.

(b) Typing Unit Intermediate Driving Gear to Typing Unit Main Shaft Gear. There should be a barely perceptible amount of backlash between typing unit main shaft gear and typing unit intermediate driving gear at their closest point. To adjust, loosen three mounting screws on intermediate gear bracket until bracket is held only friction tight. Position complete intermediate gear assembly by utilizing adjusting slot at rear of bracket. Tighten mounting screws.

(c) Motor Pinion to Intermediate Driven Gear. There should be a barely perceptible amount of backlash between the motor pinion and the intermediate driven gear at their closest point. To adjust, loosen the adjusting and clamping screws located on the front end of the intermediate gear bracket and raise or lower the front end of the bracket as required. Refine this adjustment and the typing unit gear adjustment if necessary in order to obtain quiet operation. Tighten the screws.

(3) Installation of Units in Cabinet. Install units in cabinet as follows:

(a) Remove four mounting screws securing typing unit and lift typing unit off base.

NOTE

If the housing for the TD unit is furnished with the cabinet, instructions for removing and installing are provided in cabinet disassembly and reassembly procedures included in Chapter 6 of this instruction book. When the housing for the TD unit is ordered separately, as a modification kit, refer to Teletype Specification 5885S (furnished with each kit) for installation information.

(b) Remove front panel and transmitter distributor housing, including crossbar, from cabinet. Refer to NOTE above.

NOTE

Before installing perforator-transmitter base in cabinet, check whether or not transmitter distributor base has been equipped with rubber isolation bushings for reduction of noise level. If transmitter distributor base has been modified in this manner, perforator-transmitter base must be raised by inserting a washer 0.095-inch thick under each corner in order to maintain proper alignment between keyboard and shafting of transmitter distributor base.

(c) Fasten perforator-transmitter base to cabinet cradle assembly with four studs provided.

(d) Reinstall typing unit. Before reinstalling typing unit, insert a piece of bond paper between selector magnet pole faces and armature to soak up any lubricant which may have accumulated. When removing paper make sure no lint or bits of paper remain on pole surfaces. Reinstall typing unit on base in accordance with step (c) 4 of paragraph 8-3.1f(1).

(e) Perform electrical connections. Insert plug that terminates keyboard cable coming from left end of electrical service unit into receptable connector at middle of perforator-transmitter base. Push plug down until it is latched in position in receptacle. Insert plug of typing unit cable in its receptable on typing unit.

g. TD Unit (LXD) and Base (LCXB) Installation.
Install TD unit LXD and base LCXB as follows:

(1) Loosen the two gear guard mounting screws, slide the gear guard forward and lift it off the transmitter base.

(2) Install the speed change gear set for 60, 75 or 100 wpm on the TD base as follows: Install the pinion on the short shaft at the rear of the transmitter distributor base, install the large gear on the shaft that extends to the TD. Refer to Figure 8-5. The gearset to provide the desired speed of operation must be ordered as a separate item.

Mount the TD unit on the base using the three mounting screws. Tighten the screws friction tight.

(3) Insert and tighten the three shoulder studs provided, into the TD base mounting holes in the front and rear cradle rails. Place a rubber bushing over each stud with the smaller diameter of the bushing upward. Position TD base and unit over the mounting studs so that the smaller diameter of the bushing extends into the mounting holes of the base. The base will then rest on the shoulders of the bushings. Route the ground strap forward and under the base, and then to the rear under the rear cradle rail. Refer to Figure 8-5. Cables should be routed along the right side of the base.

(4) Place a rubber bushing with the smaller diameter downward on the three studs that extend up through the mounting holes of the base. The smaller diameter of the bushing must extend down into the base mounting holes. Place a washer, lockwasher and nut provided on each stud. Place the terminal of the ground strap on top of the washer on the right rear stud followed by the lockwasher and nut; do not tighten the nuts at this time. Refer to Figures 8-6 and 8-7. Couple the TD shaft to the keyboard shaft using the flexible coupling provided. The flexible couplings should be installed with the external hub on the TD base shaft. Use the play in the TD base mounting holes to align the shafts; check alignment with a straight edge. Tighten the TD base mounting nuts and the coupling setscrews. To prevent vibration do not allow the terminal nor the wire of the

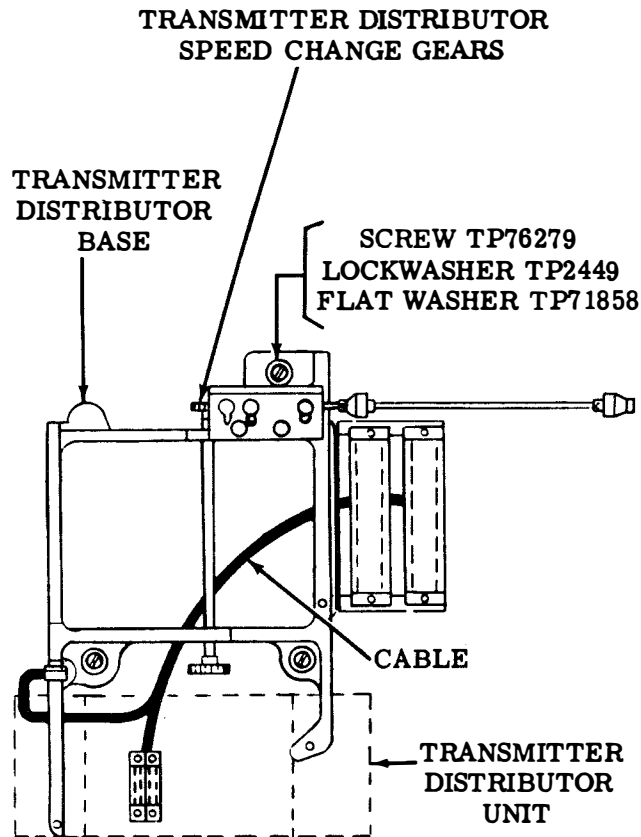


Figure 8-5. Typical Transmitter Distributor Unit and Base Arrangement

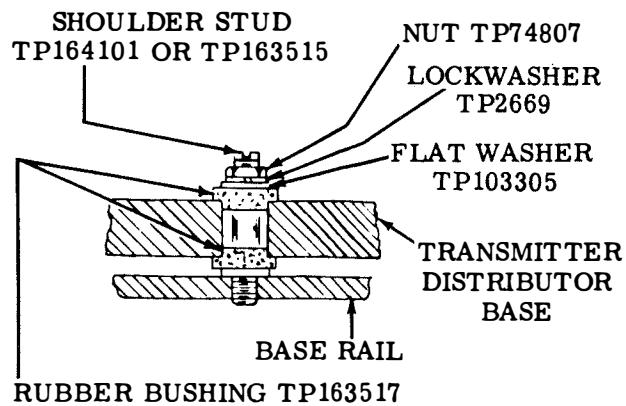


Figure 8-6. Isolation Mounting of TD Base

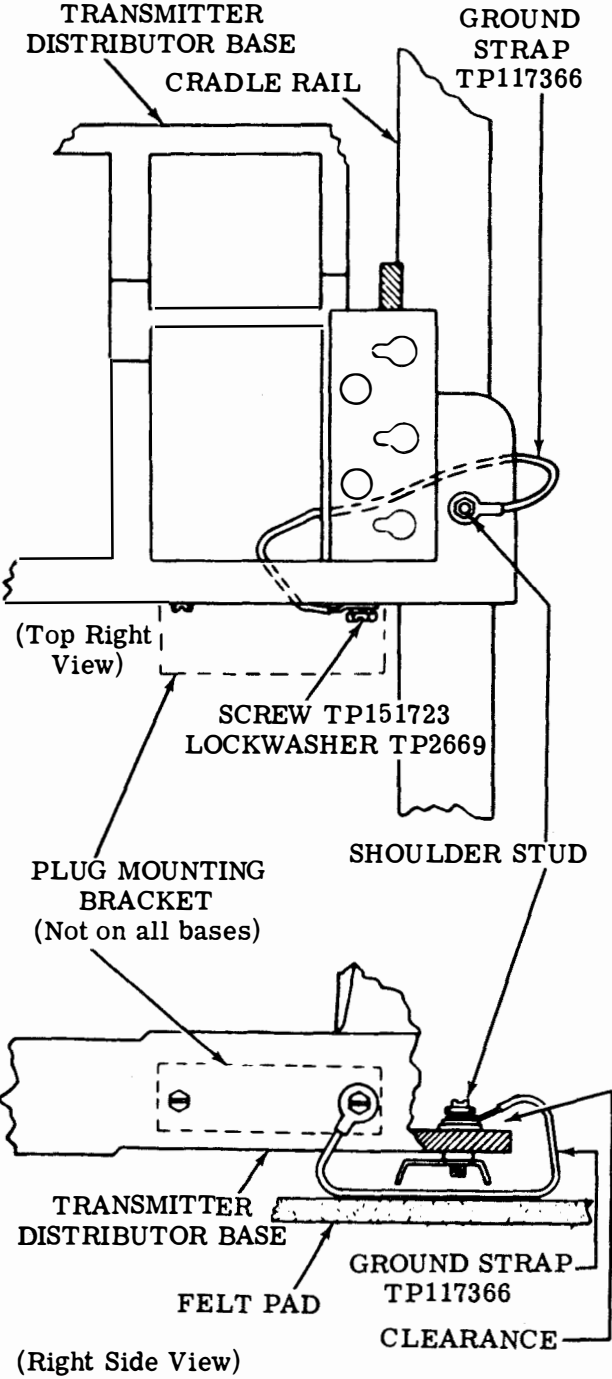


Figure 8-7. Installation of TD Base Ground Strap

ground strap to touch the TD base (wire should be slack). If necessary, bend the terminal to clear the base.

(5) Gears should be aligned and a barely perceptible amount of backlash should exist between the gears at their closest point. To adjust, laterally position the TD unit on the base. Tighten the mounting screws.

(6) Replace the gear guard on the TD base and tighten the gear guard mounting screws.

(7) Install the plate with studs on front of the TD unit using the screws, lockwashers and washers provided.

(8) Replace the crossbar and the auxiliary housing of the TD housing.

(9) Replace the front panel of the teletypewriter cabinet.

(10) Avoid damage to the character counter.

(11) Tighten all screws.

NOTE

No vertical adjustment of the TD unit is required.

h. TD Unit Combinations (Dual LXD) and Base LCXB Installation.

(1) Loosen the two gear guard mounting screws. Slide the gear forward and lift it off the TD base.

(2) The gear set to provide the desired speed of

operation must be ordered as a separate item.

(3) Install the speed change gear set for 60, 75, or 100 wpm operation on the TD base as follows:

(a) Install the pinion on the short shaft at the rear of the TD base.

(b) Install the large gear on the long shaft that extends to the TD. Refer to Figure 8-5.

(4) Insert and tighten the three shoulder studs provided with base into the TD base mounting holes in the front and rear cradle rails. Place a rubber bushing over each stud so that the smaller diameter of the bushing is upward. Position the TD base over the studs so that the smaller diameter of the bushings extend into the mounting holes of the base. The base should rest on the shoulders of the bushings. Refer to Figure 8-6.

(5) Route the ground strap forward and under the base, then to the rear under the rear cradle rail. Refer to Figure 8-7. Place a rubber bushing with the smaller diameter downward on the three studs that extend up through the mounting holes of the base.

(6) The smaller diameter of the bushing must extend into the base mounting holes.

(7) Place a washer, lockwasher, and nut on each stud.

(8) Place the terminal of the ground strap on top of the washer on right rear stud.

(9) Place a lockwasher and a nut on the right rear stud.

(10) Do not tighten the nuts at this time. Refer to Figures 8-6 and 8-7.

(11) Couple the TD shaft to the keyboard shaft using the flexible coupling provided. The flexible couplings should be installed with the external hub on the TD base shafts. Use the play in the base mounting holes to align the shafts. Check with a straightedge.

(12) Tighten the mounting nuts and the coupling setscrews.

(13) To prevent vibration do not allow the terminal or the wire of the ground strap to touch the TD base. Allow some slack in the wire. If necessary, bend the terminal upward for clearance. Refer to Figure 8-7.

(14) Mount the TD units on the base with the screws and washers provided in a bag attached to the base. Tighten the mounting screws friction tight.

(15) Adjust position of the TD units on the base laterally so that the gears are in alignment.

(16) Allow a minimum amount of backlash between the gear teeth at the closest point.

(17) Check to see that the TD units are parallel.

(18) Tighten the screws.

(19) Install the plate with studs on the front of

the TD unit using the screws, lockwashers and washers provided.

(20) Replace the crossbar, housing, and front panel. Avoid damage to the character counter.

(21) A clearance of 1/32-inch minimum should be allowed between the side and top plates of the TD units and the housing.

(22) To adjust clearances for reducing the noise level, adjust the housing detent springs and/or reposition the cradle.

CAUTION

To maintain a low noise level, the units must not touch the cabinet at any point. This will prevent the transmission of vibrations through the cabinet.

(23) Insert the shaft in the hole to the left of the keyboard with the knob already attached. Tighten the knob setscrew. These parts are supplied with the appropriate cabinet.

i. Auxiliary Typing Reperforator Unit (LPR), Base (LRB) and Motor Unit (LMU). Install the auxiliary typing reperforator and motor unit as follows:

(1) Install the parts contained in Modification Kits TP161814 or TP161815 to adapt a TD base LCXB to mount an auxiliary typing reperforator base LRB and to provide a tape guide.

(2) Installation instructions and specifications

are provided in the modification kits.

(3) Remove the gear guard and discard from the TD base.

(4) On units not equipped with variable speed drive, install the gears for the desired operating speed on the shafts of the gear bracket assembly. Refer to Figure 8-8.

(5) Mounting hardware is in a bag tied to the base.

(6) The set of gears for a desired speed must be ordered as a separate item.

(7) Remove the gear bracket assembly and the gear guard.

NOTE

Before installing the motor unit, the motor leads must not be threaded through the hole in the motor mount bracket; if threaded, pull them out. They should not be routed through the hole when the unit is installed.

(8) Using the parts found in a bag tied to the base, install the motor unit on the auxiliary reperfector base.

(a) Contents of the bag is as follows: four screws, three lockwashers, four flat washers, four nuts and two star lockwashers.

(b) Place one star lockwasher against the anodized aluminum surface of the motor bracket.

(c) Place one star washer against the painted surface at the bottom of the

base. This will insure a ground connection from the motor bracket to the base.

(d) Follow the wiring diagram furnished with the base to connect the motor leads to the proper terminals on terminal block. It will be necessary to remove the tape container with a screwdriver to gain access to the terminal.

(e) Replace the tape container. Tighten the container screws friction tight for later adjustment.

(f) Replace the gear bracket assembly and the gear guard.

(9) If Tape Guide 161804 is to be used on the typing reperfector, mount as follows:

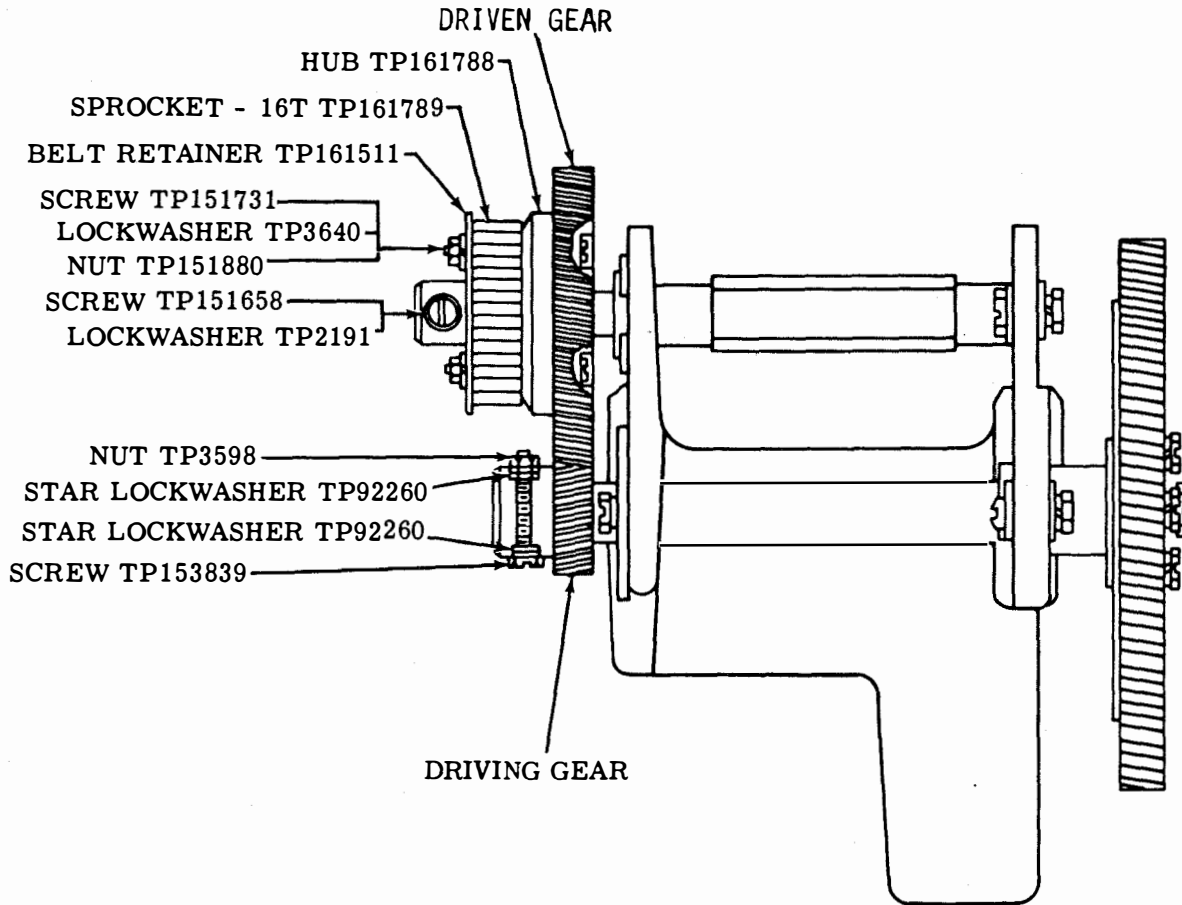
(a) On units not equipped with LETTERS-FIGURES contact assembly, remove and discard the screw in the location indicated in Figure 8-9.

(b) Mount the tape guide using the screw and washer provided.

(c) On units equipped with LETTERS-FIGURES contact assembly, remove and discard the screw as indicated in Figure 8-10.

(d) Mount the tape guide using the screw and washer provided.

(10) Remove the sprocket from the bag tied to the base and install it on the typing reperfector using the mounting hardware on the hub. The screw heads and lockwashers should be on the side of the deeper inset of the sprocket.



NOTE: GEARSETS MUST BE ORDERED AS SEPARATE ITEMS.

Figure 8-8. Installation of Gearset on Gear Bracket Assembly (Auxiliary Reperforator Base), Rear View

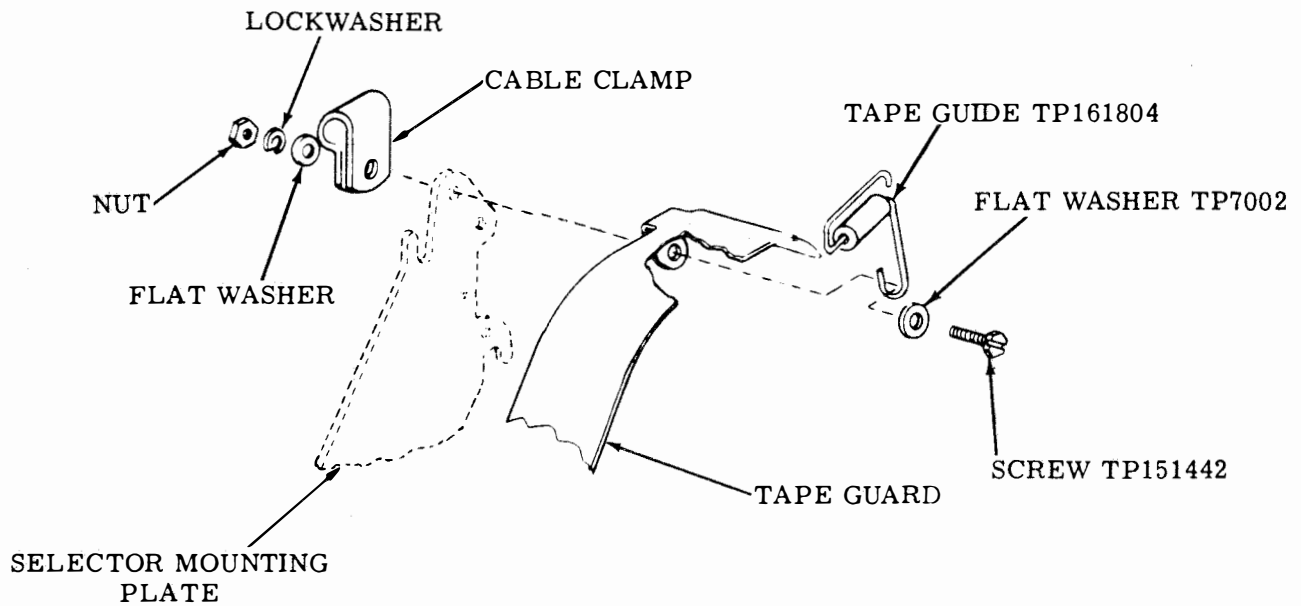


Figure 8-9. Installation of Tape Guide TP161804 (Auxiliary Reperforator Without LETTERS-FIGURES Contact Assembly)

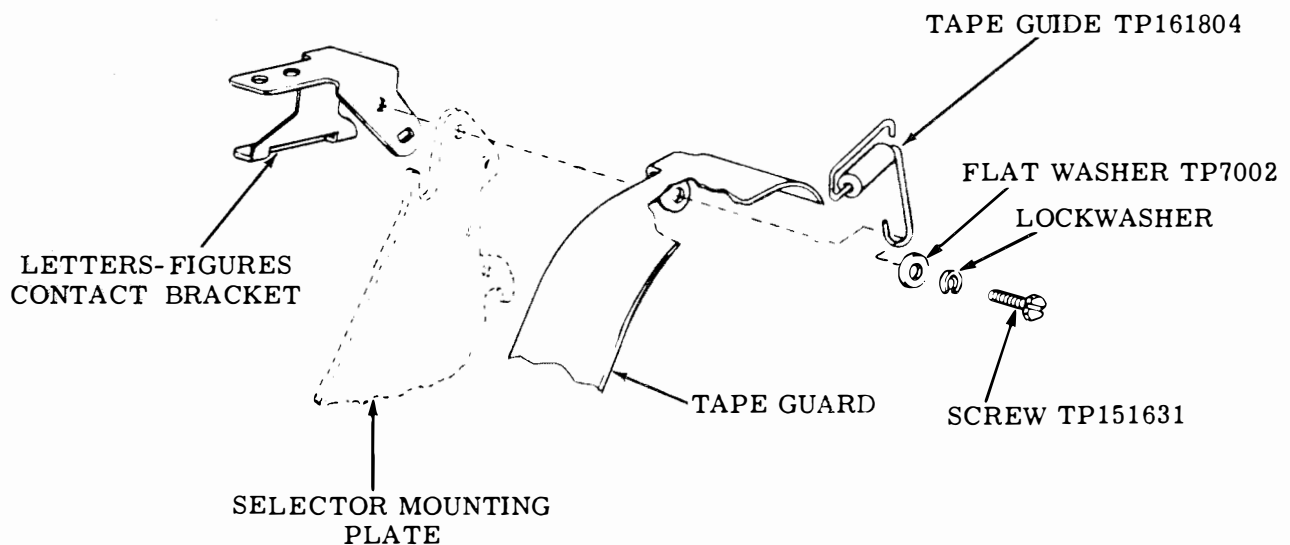


Figure 8-10. Installation of Tape Guide TP161804 (Auxiliary Reperforator With LETTERS-FIGURES Contact Assembly)

(11) Mount the gear on the motor shaft with the isolator and two posts. The posts must be screwed down tight.

(12) Loosen the three gear bracket assembly mounting screws then tighten friction tight. Position the assembly up or down to allow a barely perceptible amount of backlash between the motor pinion and the driven gear at its closest point. The gears should be parallel to each other. Tighten the screws.

(13) Mount the auxiliary typing reperforator on to the base as follows:

(a) Remove the following parts from the bag tied to the base: three screws, four lockwashers and one screw and lockwasher.

(b) Position the reperforator over its mounting studs in the base.

(c) Loosen the screw holding the small "L" shaped anchor bracket to the right front of the punch.

(d) Start the screw with lockwasher and washer through the "L" shaped anchor bracket into the proper tapped hole in the base plate. Do not tighten the screw at this time.

(e) To allow for maximum accessibility for a screwdriver to reach the rear mounting screw, position the pushbar bail of the reperforator to its foremost position. Start the three screws with lockwashers and washers through the holes in the casting and into the proper tapped studs in the "T" shaped plate. Do not tighten the screws at this time.

(f) Remove the timing belt from the bag and place it over the sprockets. Take up the slack in the belt by moving the reperforator away from the motor. Allow enough slack so that a light pressure of 8 ounces applied midway between the sprockets will cause the belt to deflect approximately 1/8-inch. Tighten the mounting screws, and check timing belt deflection once again.

(g) Remove the power cable from the bag and route as follows:

(h) Place the receptacle connector over the plug connector and tighten the knurled locknut.

(i) Route the cable forward and downward and past the right side of the TD unit drive shaft, then to the right under the right side of the TD base casting then along side of the keyboard cradle rails and up to the cabinet terminal block.

(j) Wire the reperforator base power cable to the cabinet terminal blocks and ground screw as indicated in the wiring diagram furnished with the IRB base.

(k) Install the cables (if applicable) as indicated in the wiring diagram provided with the IRB base.

(l) Place the base and reperforator on its mounting posts securing it with the parts found in the bag attached to the base.

(m) Included in the bag are the following: three screws, three washers, two

lockwashers and one star lockwasher.

(n) Place the star lockwasher next to the upper painted surface of the base under the left front mounting screw.

NOTE

When an old style LRB base is used (old style mounting bracket and "T" plate), a 13/16-inch diameter flexible coupling must be used on the TD base under the LRB base. Use of larger diameter couplings results in interference when mounting the LRB base. If no 13/16-inch diameter coupling is present, it should be ordered separately. New style LRB bases have a modified mounting bracket and nut plates, and provide clearance for 1-1/16-inch diameter couplings.

(14) Install the desired control panel in place of the blank panel in the cabinet dome. The control panel must be ordered as a separate item.

(a) When a modification kit is ordered consisting of a Tape Feed-Out control panel and a cable with switch is used, proceed with the installation of this kit as follows:

1. Install the control panel to replace the blank panel in the cabinet dome. Use the existing mounting hardware.

2. Secure the switch to the control panel cable using the mounting nuts on the switch.

3. Route the cable along the left side of the cabinet through the hole at the rear of the dome.

4. Connect the cable in accordance to the wiring diagram provided with the LRB base.

5. If necessary, secure the cable to clear the moving parts.

(b) Adjust the tape guide included in the modification kit as outlined in the instructions contained in Specification 50055S relating to Modification Kits TP161814 or 5929S relating to TP161815 provided with the kit.

(c) Install the TP161829 Modification Kit, which is a separately ordered item, to mount an electrical service unit (ESA) to a relay rack bracket assembly used with the ASR cabinet. Installation instructions are included in specification 5928S provided with the kit.

(d) Position the tape container so that a full roll of tape may be inserted through the access door in the dome of the cabinet. Tighten the screws.

j. Miscellaneous Instructions. Perform the following installation procedures:

(1) Cradle. Install the cradle as follows:

(a) The cradle in the cabinet is factory adjusted for nominal squareness and components parallel to the cabinet. Two locating eccentrics are positioned against the rear rail. The

cradle may have to be repositioned after the units have been installed in order to level the equipment and obtain a flush fit with respect to the cabinet. Avoid damage to the character counter.

CAUTION

To aid in the reduction of noise level, the units must not touch the cabinet at any point. Thereby preventing transmission of vibrations to the cabinet.

(b) Should it be necessary to raise or lower the cradle after the units are installed, loosen the locknuts on the right front and two rear vibration mounts, and the locknut on the lower end of the stud in the left front vibration mount. Raise or lower the cradle by turning the studs. Tighten the locknuts while holding the studs in position.

(c) Should it be necessary to move the cradle forward or backward after the units are installed, loosen the four screws holding the front and rear rails and the two screws securing the eccentrics against the rear rail and tighten their mounting screws after the adjustment is made.

(d) Secure all cords and cables where necessary to keep them away from any moving parts.

(e) Apply a thin film of grease to all newly installed gears. Use standardized lubricant.

(2) Visually check all fuses, plugs, screw terminal connections, and lamps for looseness and breakage.

CAUTION

Any TD base which is equipped with rubber isolation bushings must be grounded to the cradle using the ground strap as specified in the foregoing text and Figure 8-7. Also, check to see that the cabinet is connected to the common station ground as specified in the foregoing text.

(3) Make certain that the power switch is in the OFF position before closing the main power switch to the equipment.

(4) Refer to operating instructions in Chapter 2 for installing paper and ribbon in the page printer.

(5) A thumb wheel or screwdriver slot is provided on the tape feed wheel shaft for starting or advancing the tape manually. Units having a backspace mechanism has a hole provided in the guard for a screwdriver. Turn the thumb wheel or screwdriver to the left to start or advance the tape.

(6) For keyboard tape perforating unit, thread the tape from the top of the roll of tape, over the roller of the tape guide on the tape container and into the tape entry chute. Position and/or reform the tape guide as necessary, so that the tape flows freely and makes full contact with the roller on the tape guide. Tighten the screws.

(7) For auxiliary typing reperforator unit, thread the tape from the bottom of the roll of tape, over the roller of the tape guide on the tape container, then over the roller of the tape guide on the selector bracket and into the

tape entry chute. Position and/or reform the tape guides as necessary, so that the tape flows freely and makes full contact with the rollers on the tape guides. Tighten the screws.

NOTE

The ASR Set should be completely assembled with the appropriate units and ready for the following operating tests.

8-3.2 INSTALLATION PROCEDURES (LOW-LEVEL). Procedures in paragraph 8-3.1 are also applicable to low-level ASR equipment. The following paragraphs provide general installation procedures for ASR sets equipped with RFI suppression. Information is provided for the electrical connection of the electrical service assembly (ESA) to a power source, telegraphic signal line, and other interrelated connections necessary for operation.

a. ASR Set with Electronic Message Numbering. Perform the following low-level installation procedures. Refer to Figure 8-11.

(1) Two junction boxes are provided at the bottom of the cabinet. The right side junction box is for power, the left side junction box is for signal line input and output. It is also used for stepping signal (clutch) input.

(2) Power is distributed by means of three conductor shielded cables routed through flexible conduit.

(a) A separate conduit is connected from the junction box to the ESA containing the clutch magnet drivers (CMDs).

(b) A separate conduit is routed to the ESA containing the selector magnet driver (SMD) and polar line keyer (PLK), and also to the power line filters in the upper compartment of the cabinet, and the number module power supply.

(3) Power should be brought in from the bottom of the cabinet by means of a conduit connected to the junction box.

(a) Two conduit connectors are attached to the junction box to provide two separate power line inputs.

(b) One power line is for the clutch and signal ESAs.

(c) One power line is for the cabinet power to motors, lamps, etc.

(d) The junction box is divided to maintain power line separation.

(e) A five point terminal block is provided on the left side of the junction box for the clutch stepping control, signal line ESAs, and numbering module power supply.

(f) A three point terminal block is provided on the right side of the junction box for the cabinet power.

(g) Where only one power source is used, power should be brought into either side of the junction box and

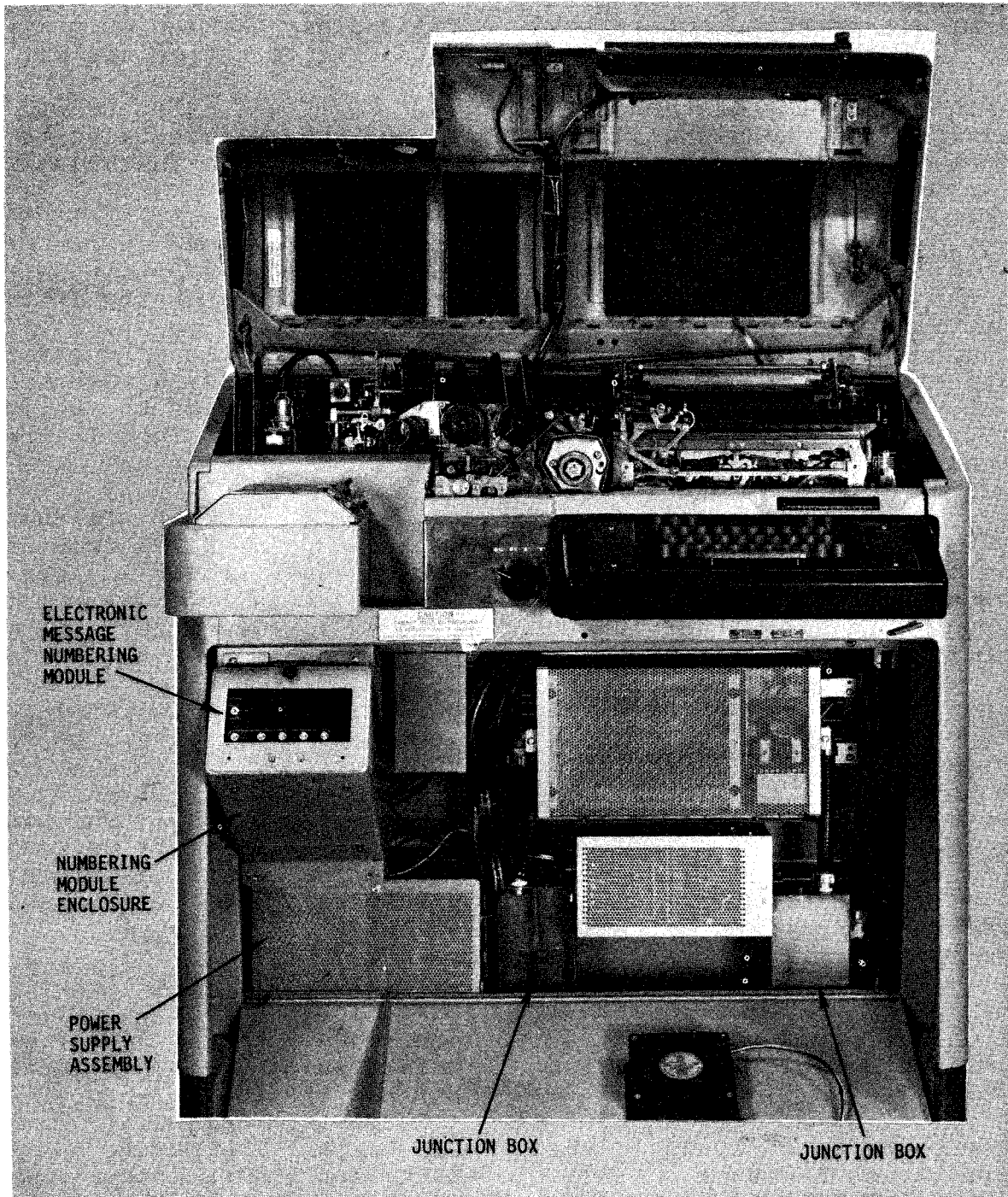


Figure 8-11. ASP Set With Electronic Message Numbering

routed to the other side through a knockout in the partition.

(h) Be certain that the shielding which surround the power input leads is connected to the appropriate terminals in the junction box.

(4) The junction box on the left side of the cabinet provides for the signal line input and output, and also the transmitter stepping signal input. Terminal blocks are not provided in the junction box. Cable leads are routed directly to the appropriate ESA. The junction boxes permit connection of conduits to the bottom of the cabinet.

(a) Clutch and signal cable leads can be routed through separate compartments.

(b) If a single conduit is used, it can be routed into one compartment and brought into the other through a knockout in the partition.

(5) The transmitter step pulse input should be routed through the junction box to the lower ESA (clutch control).

(a) Remove the cover from the ESA and any packing or shipping details from the container.

(b) Remove the circuit board assemblies to facilitate cable installation.

(c) Connect the step pulse input leads to the appropriate terminal on the terminal block.

(d) Replace the circuit board assemblies and the container cover.

(6) The signal input and output leads should be routed through the flexible conduit to the ESA (signal).

(a) Remove both inner and outer covers from the ESA and any packing or shipping details from the container.

(b) Remove the circuit board assemblies to facilitate cable installation.

(c) A label on the terminal block cover identifies the end of the three terminal blocks on the left side of the ESA.

(d) Connect the signal input leads to the appropriate terminal block in the ESA.

(e) If the set is already installed from the factory and without any wiring changes, be sure to remove the TP30342 low-level keyer circuit card from the KB connector.

(f) Replace the inner and outer covers on the container.

(g) The signal SA provides ± 6 -volts dc for the polar line keyer. A terminal strapping option permits use of an external battery.

(7) Make the electrical connection between the signal ESA to the appropriate selector magnet assembly and the ESA (clutch) to the cabinet terminal strip (C strip). The mating connector pairs for these connections are identified.

NOTE

The TP330520 tool kit may be used to loosen and adjust the cradle railing in the cabinet.

(8) Remove the numbering module from its carton.

(a) Refer to Chapter 2 for information concerning the installation of the crystal and programming the format option.

(b) Open the door of the numbering module enclosure by loosening the retaining screw on top of the door.

(c) Insert the module into the inner frame of the enclosure.

(d) Push the module in until the rear connector plugs are fully seated into their receptacles.

(e) Close the door and tighten the retaining screw.

8-4. Installation Checkout. Installation checkout consists of performing reference standards tests and performance tests.

a. Reference Standards Test. After installation is satisfactorily complete, perform the following procedures to determine that the teletypewriter set is properly assembled to meet specified reference standards.

b. Procedures. Check printing carriage position as follows:

(1) With type box in printing position, select "M" type pallet.

(2) Observe to make sure that "M" type pallet is in center of printing hammer when touching.

(3) Check printing hammer stud as follows:

(a) Move box to midpoint of platen in position to print period.

(b) Place printing hammer in contact with type pallet and pressed down to bearing post.

(c) Observe hammer face to make sure it is positioned on end of type pallet.

(4) Check draw-wire rope clearances as follows: (Use feeler gauge.)

(a) Measure clearance between carriage return latch bail post and lower wire rope. Standard: 0.006 inch minimum.

(b) With horizontal positioning mechanism in lowest position, measure clearance between lower wire rope and left horizontal positioning drive linkage. Standard: 0.030 inch minimum.

(c) Check printing arm clearance as follows: (Use feeler gauge.)

(d) Place printing hammer track at maximum downward; printing hammer operating bail against its stop.

(e) Measure clearance between secondary printing arm and forward

extension of hammer operating bail. Standard: some clearance; not to exceed 0.15 inch.

(f) With printing track in uppermost position, latching extensions of printing hammer operating bail should overtravel surface of operating bail latch. Check and record clearance, both sides. Standard: 0.006 inch minimum.

(5) Check printing hammer stop bracket clearance as follows: (Use feeler gauge).

(a) Move type box to "M" position; position printing track to maximum downward.

(b) Pressure (8 ounces) printing hammer stop bracket toward platen.

(c) At end of pallet with least clearance, measure clearance between printing hammer and "M" pallet.

(6) Check rocker shaft eccentric stud clearance as follows: (Use feeler gauge.)

(a) Disengage type box clutch.

(b) Move locking arm toward front.

(c) Measure clearance between lower side locklever roller and top edge of horizontal positioning locklever shoulder. Standard: 0.55 inch minimum - -0.090 inch maximum.

(7) If adjustments are required and made, recheck adjustment (see Chapter 6) to following items:

(a) Horizontal positioning linkage.

(b) Right vertical positioning lever eccentric stud.

(c) Left vertical positioning lever eccentric stud.

(d) Vertical positioning locklever.

(e) Ribbon-feed lever bracket.

(f) Function stripper blade arms.

(g) Spacing trip lever bail cam plate.

(h) Reversing slide brackets.

(i) Ribbon reverse space gear.

(j) Printing track.

(k) Printing arm.

(8) Measure clutch shoe lever clearance as follows: (Use feeler gauge.)

(a) Trip clutch. Rotate until clutch shoe lever is toward bottom of unit.

(b) Align clutch drum mounting screw head with stop lug.

(c) Compress shoe lever against stop lug, allowing to snap apart.

(d) Measure and record gap with clutch thus engaged.

(e) Measure and record gap with clutch disengaged.

and measure marking contact gap (left side).

NOTE

Step f reading (differential between engaged and disengaged clutch) must be less than 0.075 inch for 100 WPM operation.

(c) Move detent toggle against its marking stop and measure spacing contact gap.

(d) Marking and spacing contact gaps should be equal.

(11) Check DC line current as follows:

(f) Compare two readings in step (d) and (e). The difference between the two must fall within 0.055 and 0.085 inches.

(a) Attach meter to appropriate patch panel.

(9) Check dashpot vent screw as follows:

(b) Turn patch panel selector switch to desired position and record reading.

(a) Set POWER switch to ON.

c. Performance Tests. After reference standards tests have been satisfactorily accomplished, conduct performance tests described in Chapter 4, paragraph 4-14.

(b) With letter "M" depressed, operate printer on local loop.

d. Checkout. Perform the procedures in the following paragraphs to checkout the ASR High-Level Teletypewriter sets.

(c) First character should print in same location as in slow manual operation.

(d) Type box carriage should return without bouncing.

(1) Keyboard Position (K). Perform the following checkout procedure.

NOTE

Skip next check if signal generator contact box has passed distortion tests.

(a) Manually depress each key to determine if the proper character is printed or the proper function is performed.

(10) Check signal generator contact clearances as follows:

(b) When the Local Line-Feed (LOC LF) is depressed it should cause the paper to be fed out of the machine at approximately three times the speed obtained when the LINE FEED and REPT keys are continuously depressed.

(a) Remove cover from contact box.

(b) Move detent toggle against its spacing stop

(c) When the REC key is depressed, it should cause the signal generator to be

shunted, thus preventing signal generation. Check this action on the page printer. The key should remain depressed until released by the SEND key.

(d) When the SEND key is depressed it should remove the shunt from the signal generator.

(e) When the BREAK key is depressed it should hold the transmitting line open. If the duration of the open line interval is greater than two character cycles, the electrical keyboard lock should be operated as in paragraph (c).

(f) When the REPT key is depressed together with any other key, except the local function keys, it should cause repeat transmission of the associated code combination.

(g) When the LOC CR key is depressed it should cause the carriage to be returned.

(h) The bell should ring clearly on single or repeat operation of the BELL key. When the BLANK key is alternately depressed with any other key, except the local function keys, it should not lock the keyboard. Depression of the BLANK key twice in succession should operate the keyboard lock, making it necessary to depress the SEND key to resume keyboard transmission.

(i) When the LINE-TEST key control shaft is turned to the TEST position, the keyboard should operate the page printer as above. No break in the signal line should occur as the LINE-TEST key control shaft is switched.

(2) Keyboard-Tape Position (K-T). Perform the following checkout procedure.

(a) Manually depress each key and determine that the correct character is printed on the page printer and perforated in the tape.

(b) When the BLANK and REPT keys are depressed simultaneously, the character counter should continue without missing a count. The end-of-line indicator should light at its preset count. When the CAR RET key is depressed, the counter should return to zero. When the E key is again depressed, the counter should record each character.

(c) The electrical keyboard lock should be operative.

(d) The TD unit should be operative. Accuracy of transmission should be tested using a prepared tape and monitoring the transmission on the page printer.

(e) Turning the LINE-TEST key control shaft to the TEST position should result in an operation similar to the above, except that operation is on a local loop.

(3) Tape Position (T). Perform the following checkout procedure.

(a) Depress the BLANK and REPT keys simultaneously. The tape should now feed-out of the punch at high speed without interruption.

(b) Depress the E and REPT keys simultaneously. The character counter should record without missing a count.

The end-of-line indicator should light at its preset count. Depressing the CAR RET key should cause the counter to return to zero and the end-of-line indicator to shut off. When the E key is again depressed, the counter should count each character.

