

BULLETIN 1187B

35 AUTOMATIC SEND-RECEIVE SET  
(ASR)

PARTS



**TELETYPE<sup>®</sup>**  
**CORPORATION**  
5555 TOUHY AVENUE, SKOKIE, ILLINOIS

TABLE OF CONTENTS

SECTION	TITLE	ISSUE	DATE
574-220-800TC	35 Typing Unit (LP)	3	June 1969
574-222-800TC	35 Automatic Send-Receive Keyboard (LAK)	2	August 1968
574-223-800TC	35 Transmitter Distributor Base (LCXB)	2	August 1968
574-224-800TC	35 Nontyping Reperator (LRPE)	2	August 1968
574-226-801TC	35 Electrical Service Unit (LESU) for ASR	3	December 1969
574-227-800TC	35 Call Control Unit (LCCU)	2	August 1968
574-228-800TC	35 Automatic Send-Receive Cabinet (LAAC)	*4	April 1971
574-236-800TC	35 Transmitter (LX)	1	February 1969

NOTE:

For Motors refer to Bulletin 295B

\* Indicates revised section

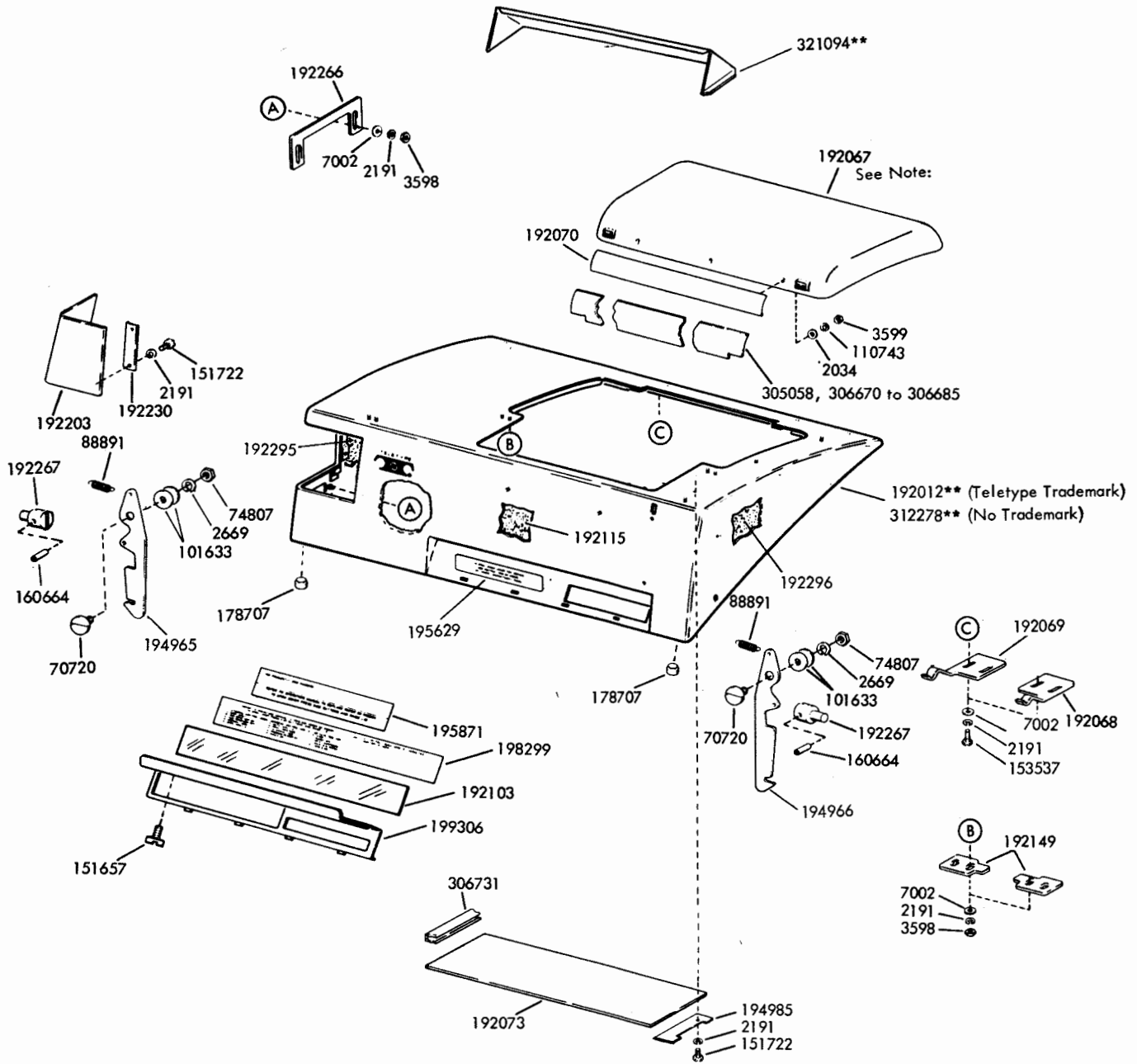
35 AUTOMATIC SEND-RECEIVE CABINET (LAAC) - ASR

PARTS

FIGURE	CONTENTS	PAGE	FIGURE	CONTENTS	PAGE
1	Upper Cover	2	17	Cover Plates and Tape Chutes	18
2	Lower Cover	3	18	312411** Keyset Switch Assembly	19
3	Pedestal and Mounting Rack	4	19	Module Mounting Facilities	19
4	Frame and Mounting Brackets	5	20	329018 Bubble Assembly	20
5	Control Panels	6	21	Faceplates	20
6	Control Panels (Continued)	7	22	323424** Intermediate Tape Storage Bin Assembly	21
7	Control Panels and Components	8	23	321584** Modification Kit to Provide Shelf for Center Unwinder	22
8	Control Panel Components	9	24	321585** (Single) and 321586** (Double) Modification Kits to Provide Mounting Shelf for Tape Winders	22
9	Faceplates	10	25	Control Panels	23
10	Lamp Bracket and Line Guide Assemblies	11	26	336474** Modification Kit to Adapt (UCC29) Call Control for use in Model 35 Sets (DATREX)	24
11	Paper Handling and Directory Holder Modification Kits	12	27	336474** Modification Kit to Adapt (UCC29) Call Control for use in Model 35 Sets (DATREX) Continued	25
12	301677** Telephone Assembly	13		Numerical Index	26
13	Speaker, Signal Bell & Hand Held Receiver	14			
14	Modification Kits to Provide Shelves for Tape Winders and Unwinders	15			
15	307228** Modification Kit to Add Offset Copyholder	16			
16	195833** and 198177** Modification Kits to Provide Housing for the Auxiliary Reperforator	17			

PAINT FINISH COLOR CODE CHART			
COLOR	Finish Suffix		
	Smooth Finish	Textured Vinyl	Smooth Vinyl
Charcoal Gray	BZ		HA
Dark Covert Gray	FC		
Light Gray			HB
Light Olive Gray	EW		HF
Gray Green	BK	GA	

The double asterisk(\*\*) denotes a painted part.  
Suffix to be applied following the part number.



Note:  
Bubble Assembly Used for  
Single Sheet Insertion. See Fig. 19.  
\*\*Refer to page 1 for finish suffix.

FIGURE 1. UPPER COVER

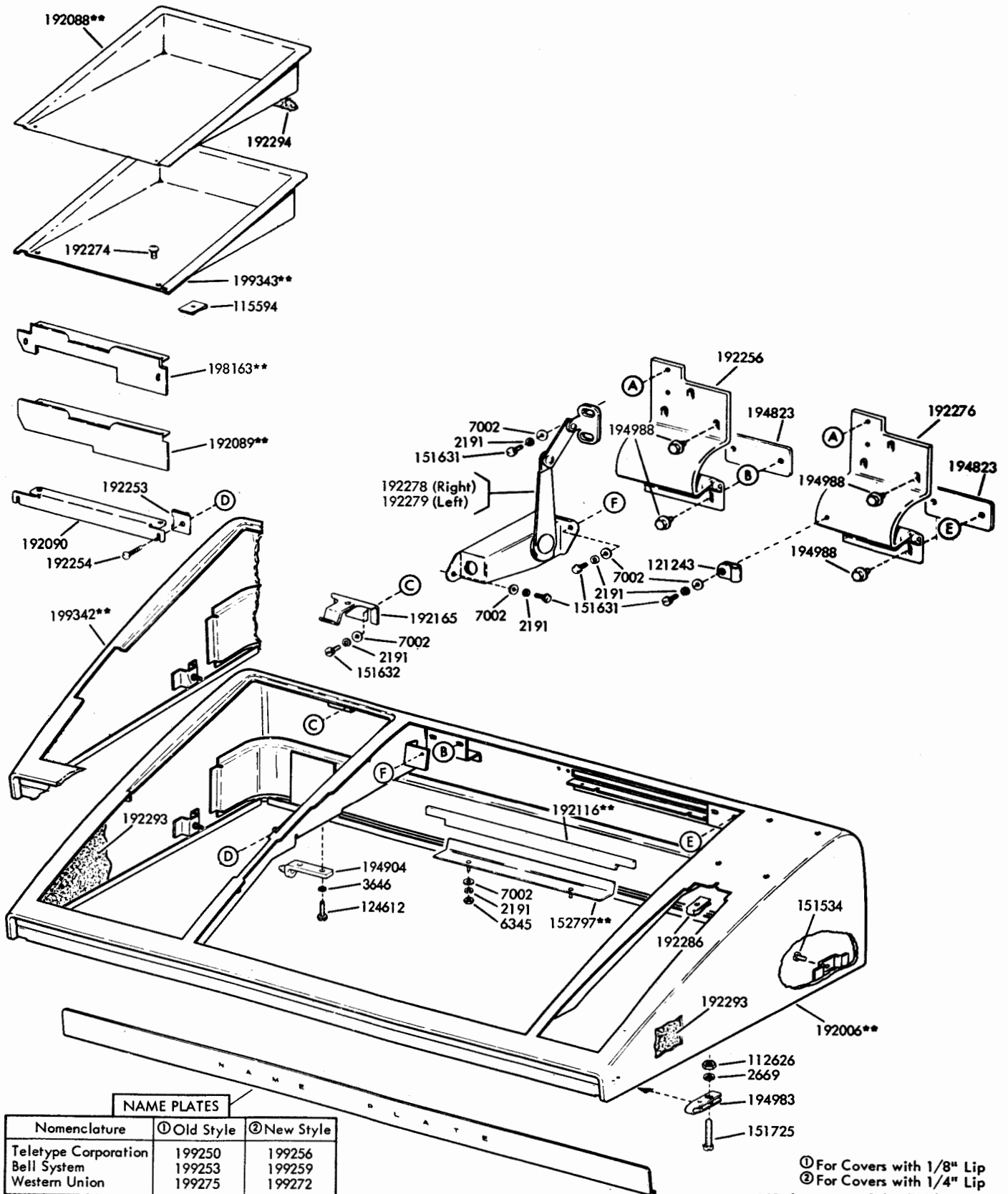


FIGURE 2. LOWER COVER



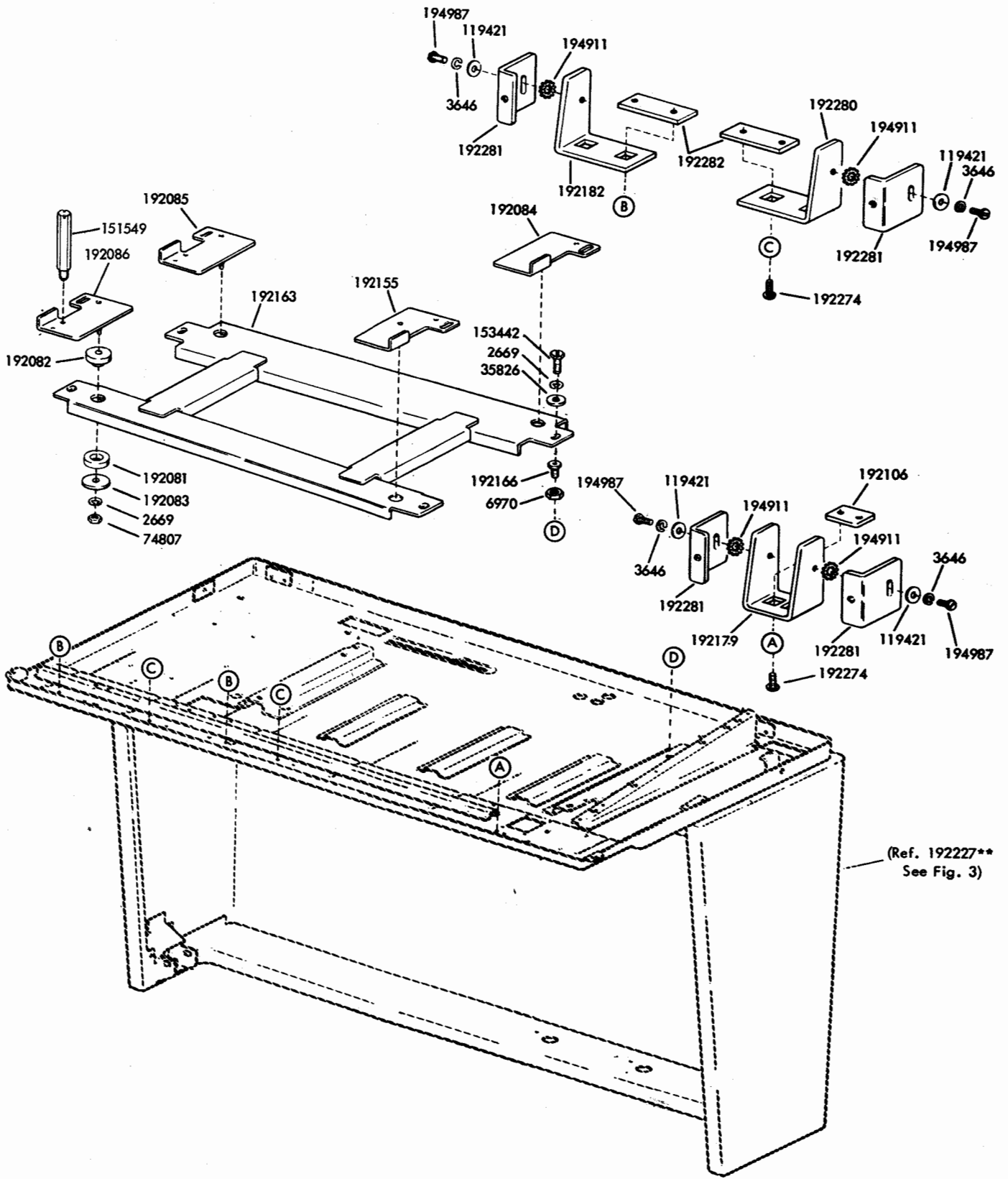
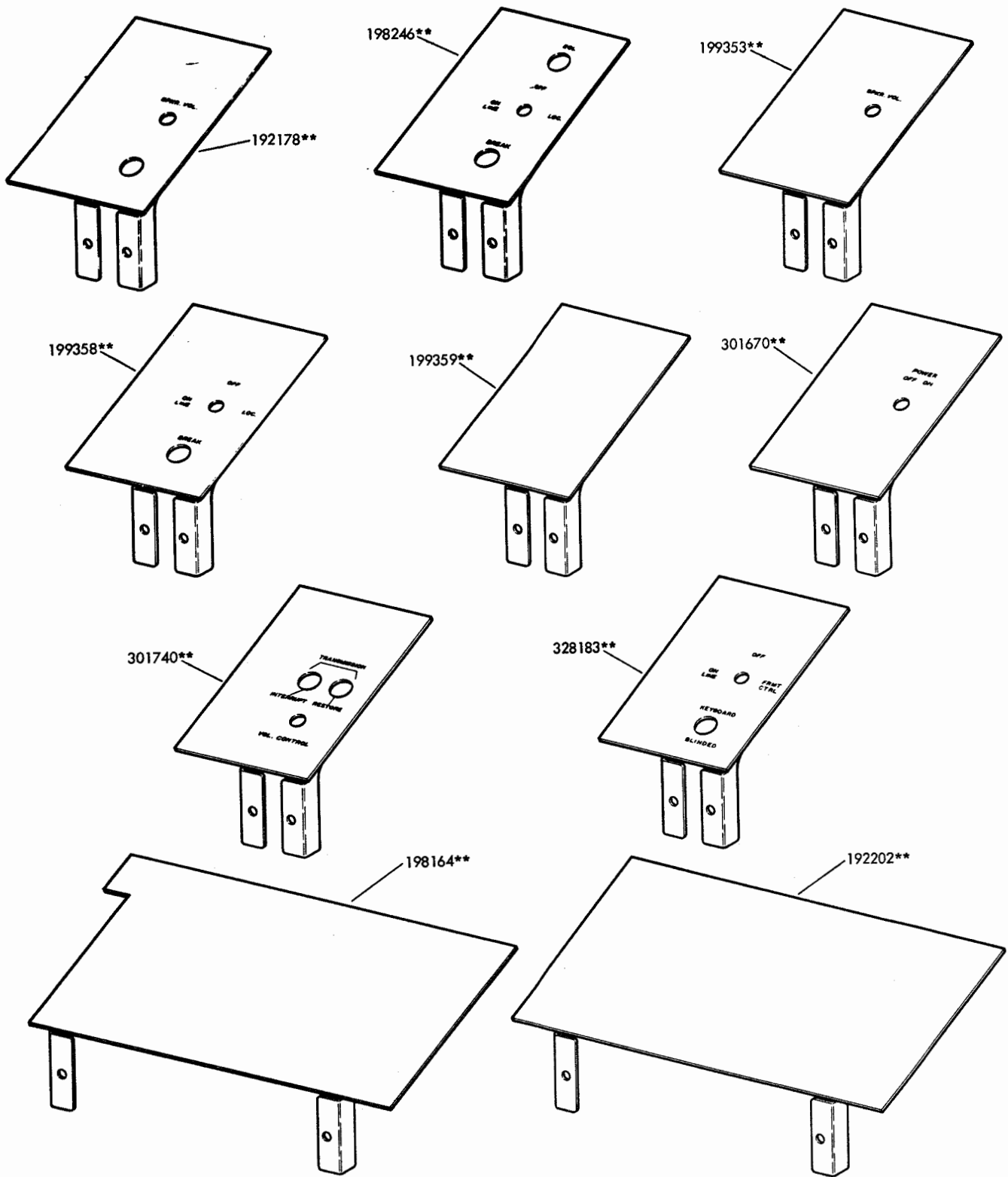


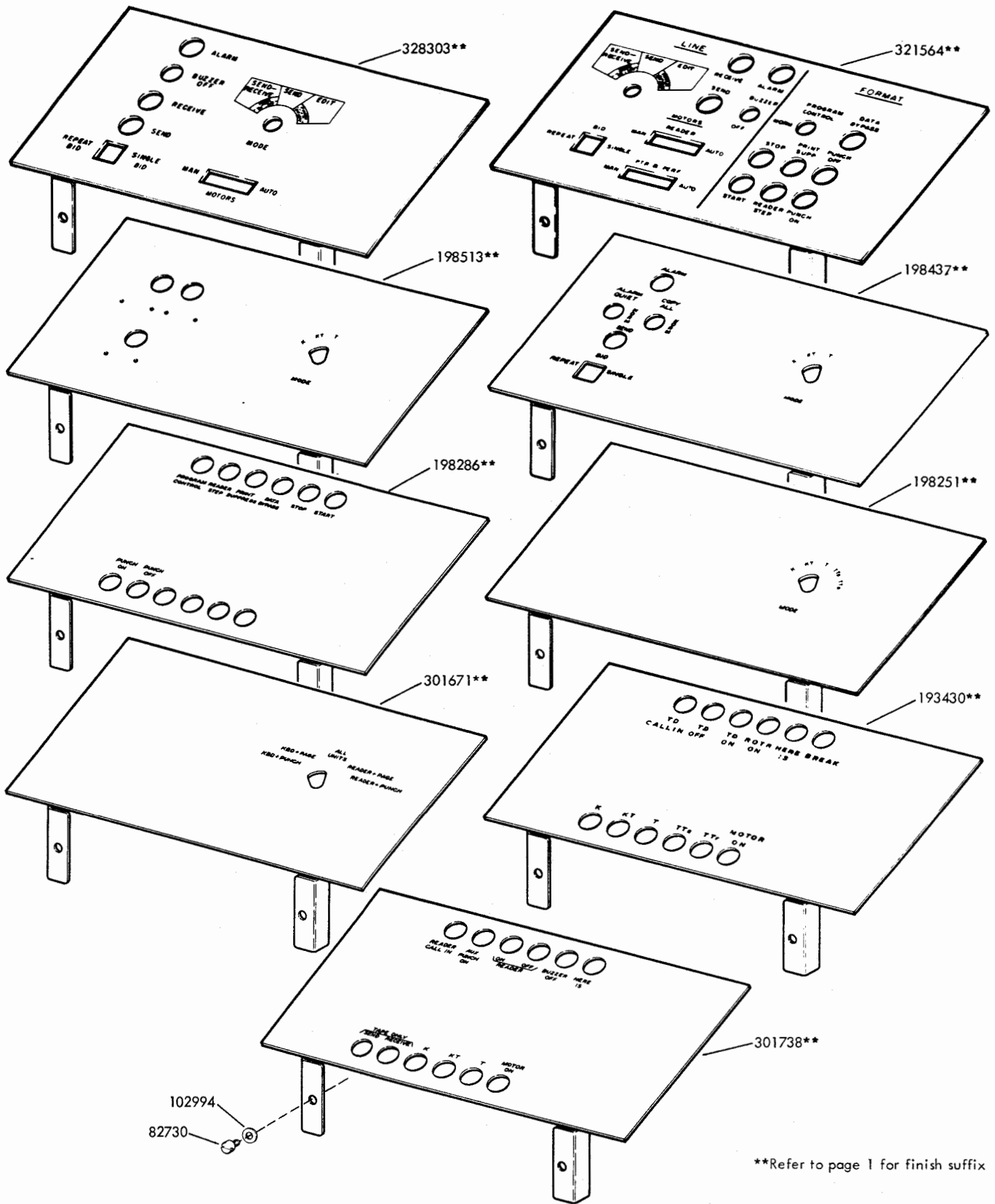
FIGURE 4. FRAME AND MOUNTING BRACKETS



\*\*Refer to page 1 for finish suffix

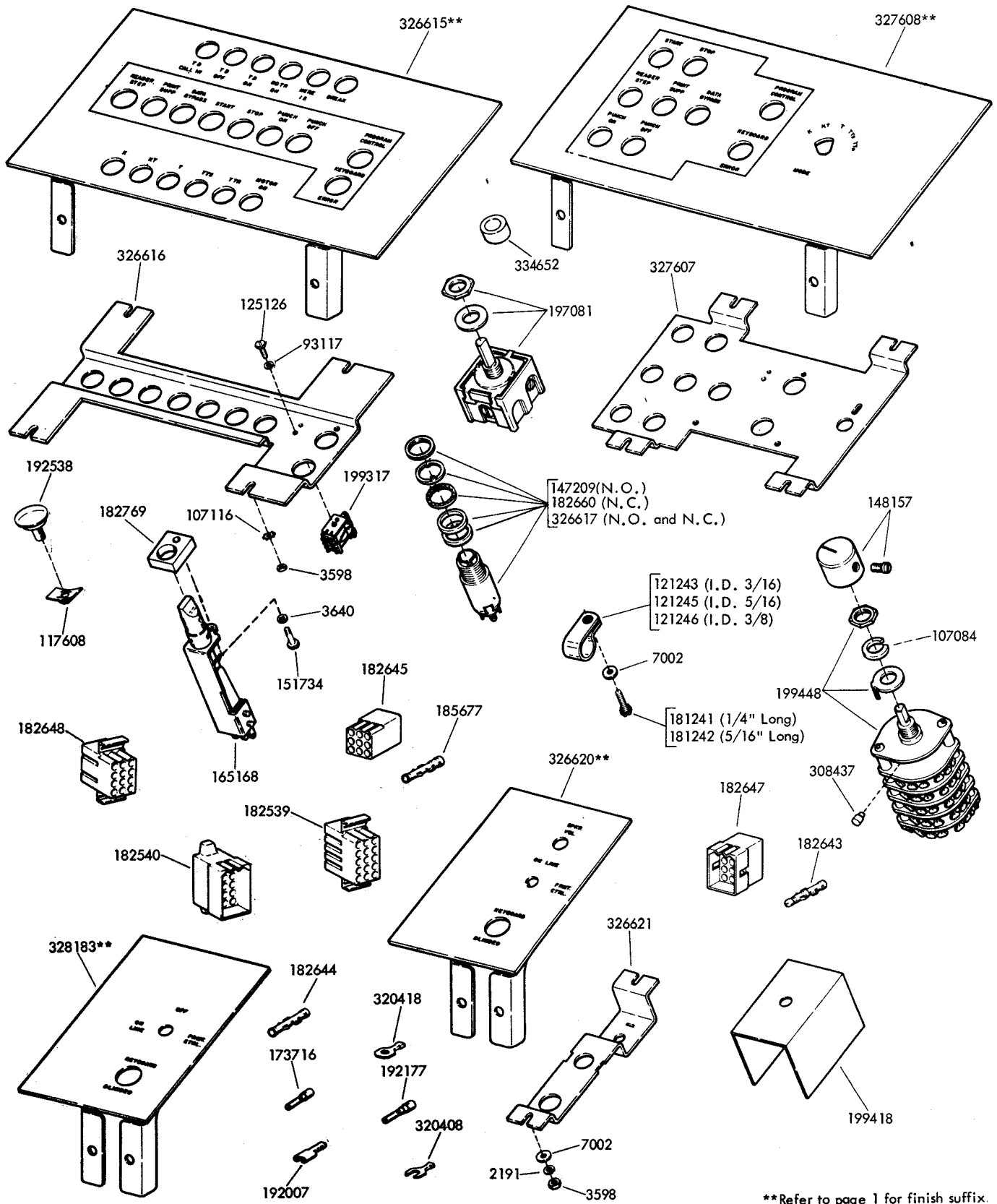
FIGURE 5. CONTROL PANELS





\*\*Refer to page 1 for finish suffix

FIGURE 6. CONTROL PANELS (Continued)



\*\*Refer to page 1 for finish suffix.

FIGURE 7. CONTROL PANELS AND COMPONENTS

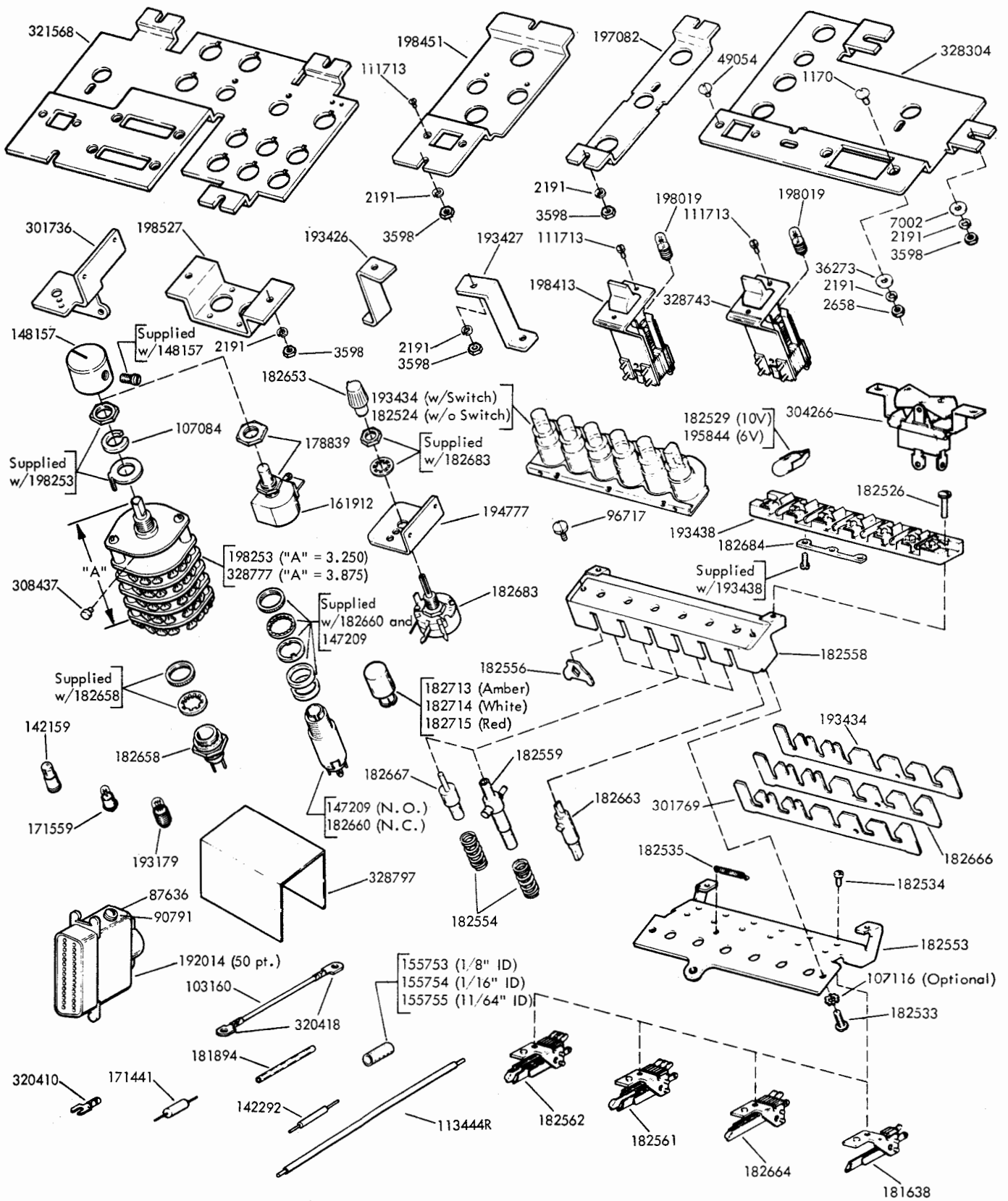
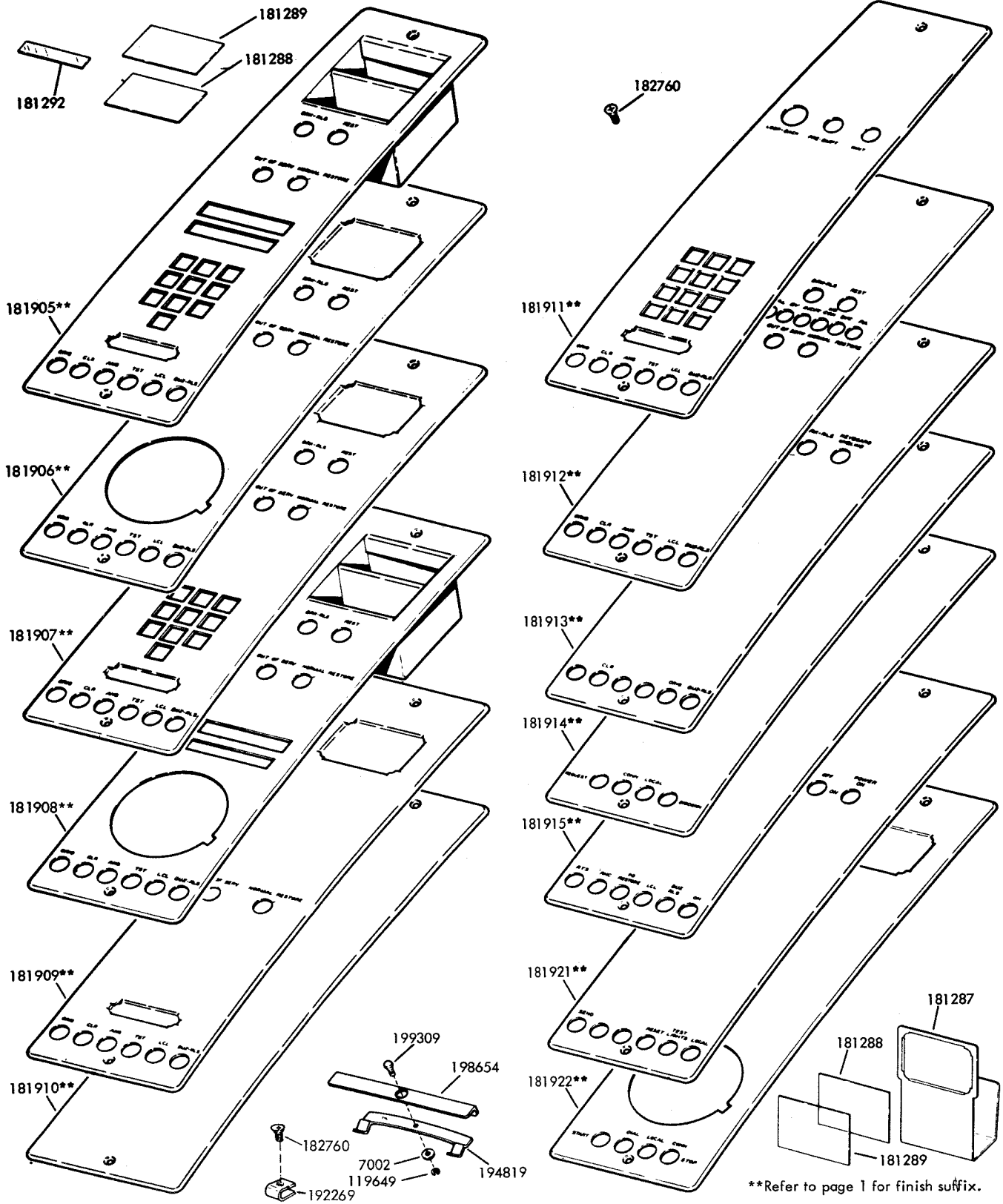
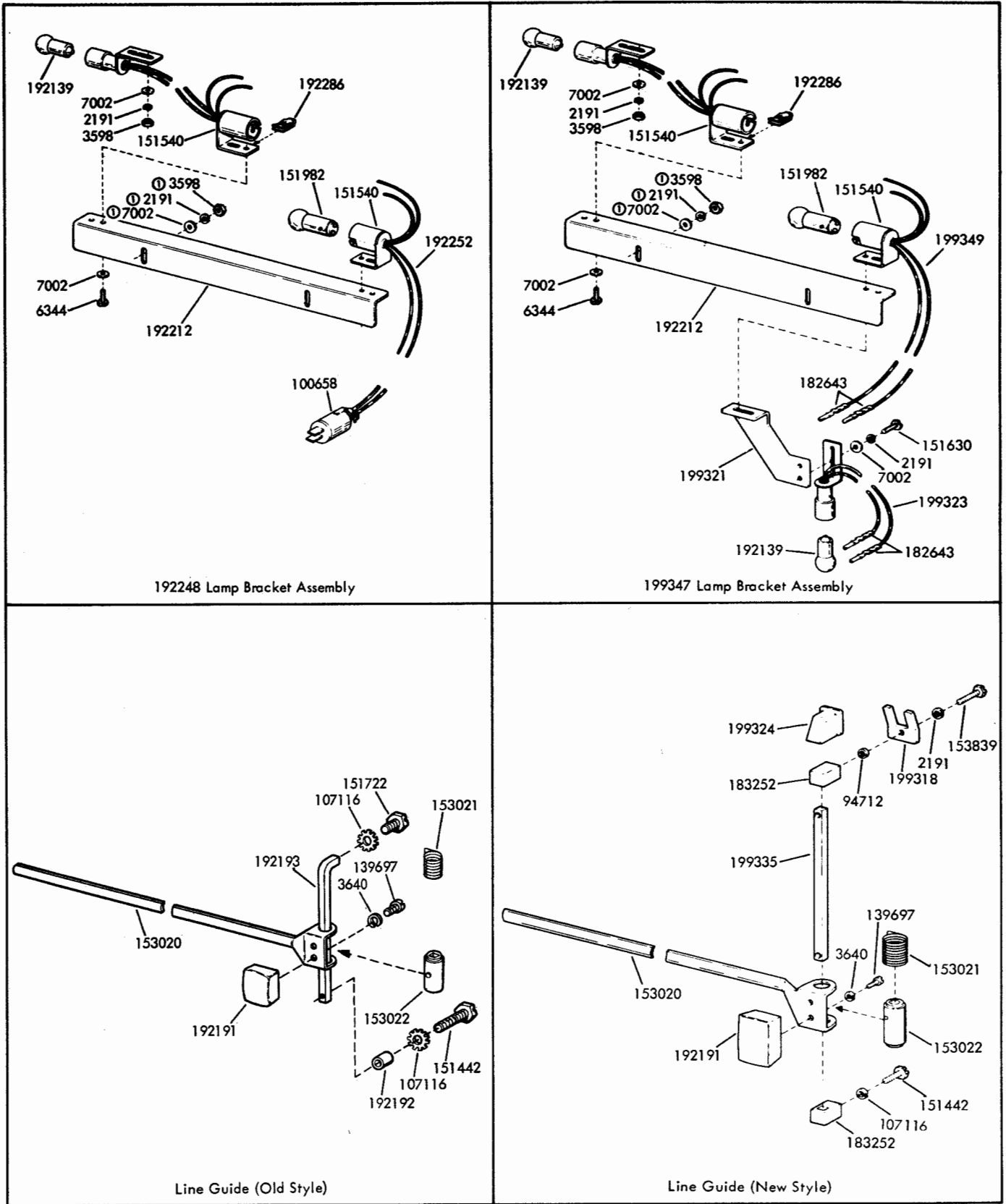


FIGURE 8. CONTROL PANEL COMPONENTS



\*\*Refer to page 1 for finish suffix.

FIGURE 9. FACEPLATES



Ⓞ Not part of 192248 or 199347

FIGURE 10. LAMP BRACKET AND LINE GUIDE ASSEMBLIES

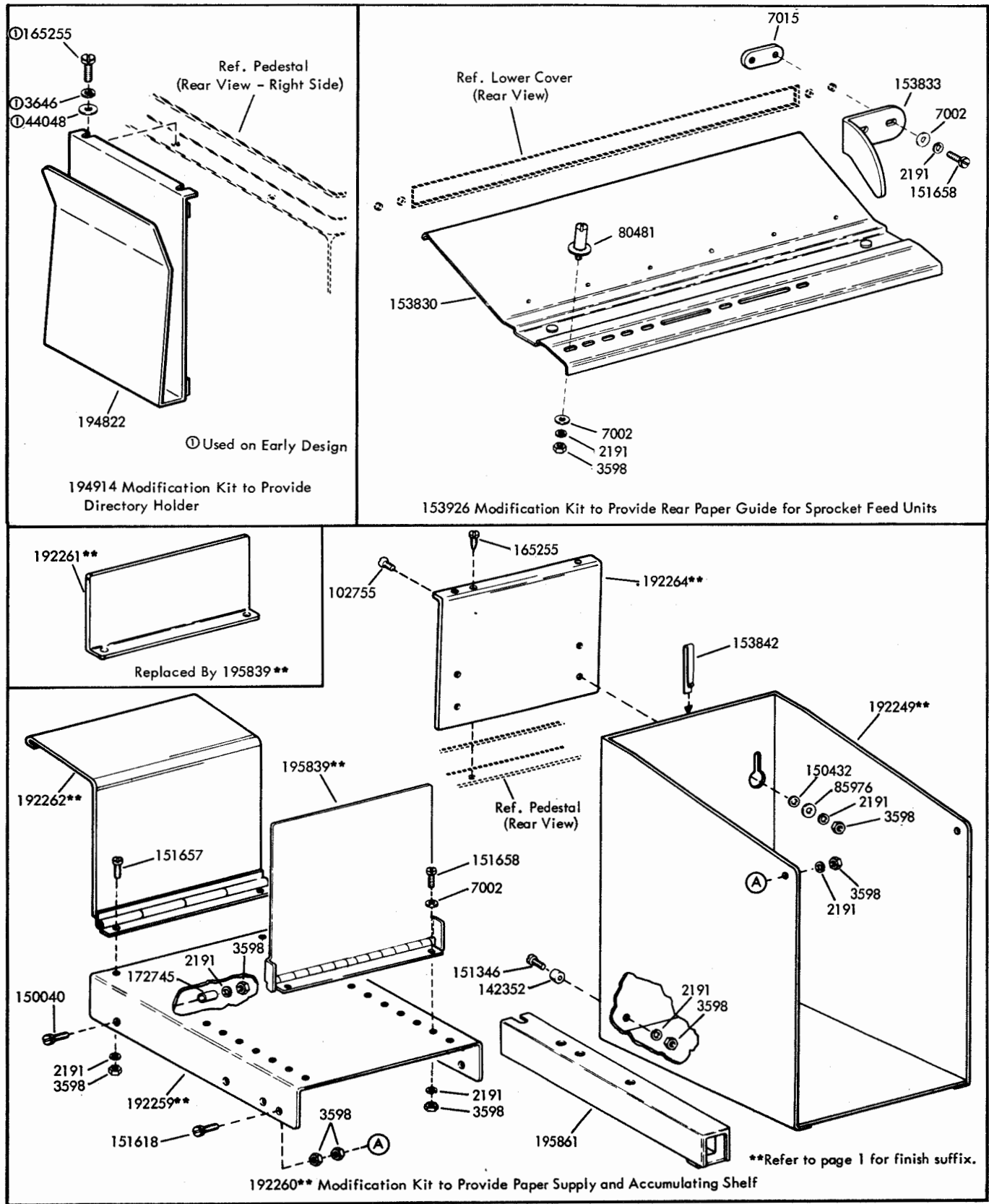


FIGURE 11. PAPER HANDLING AND DIRECTORY HOLDER MODIFICATION KITS

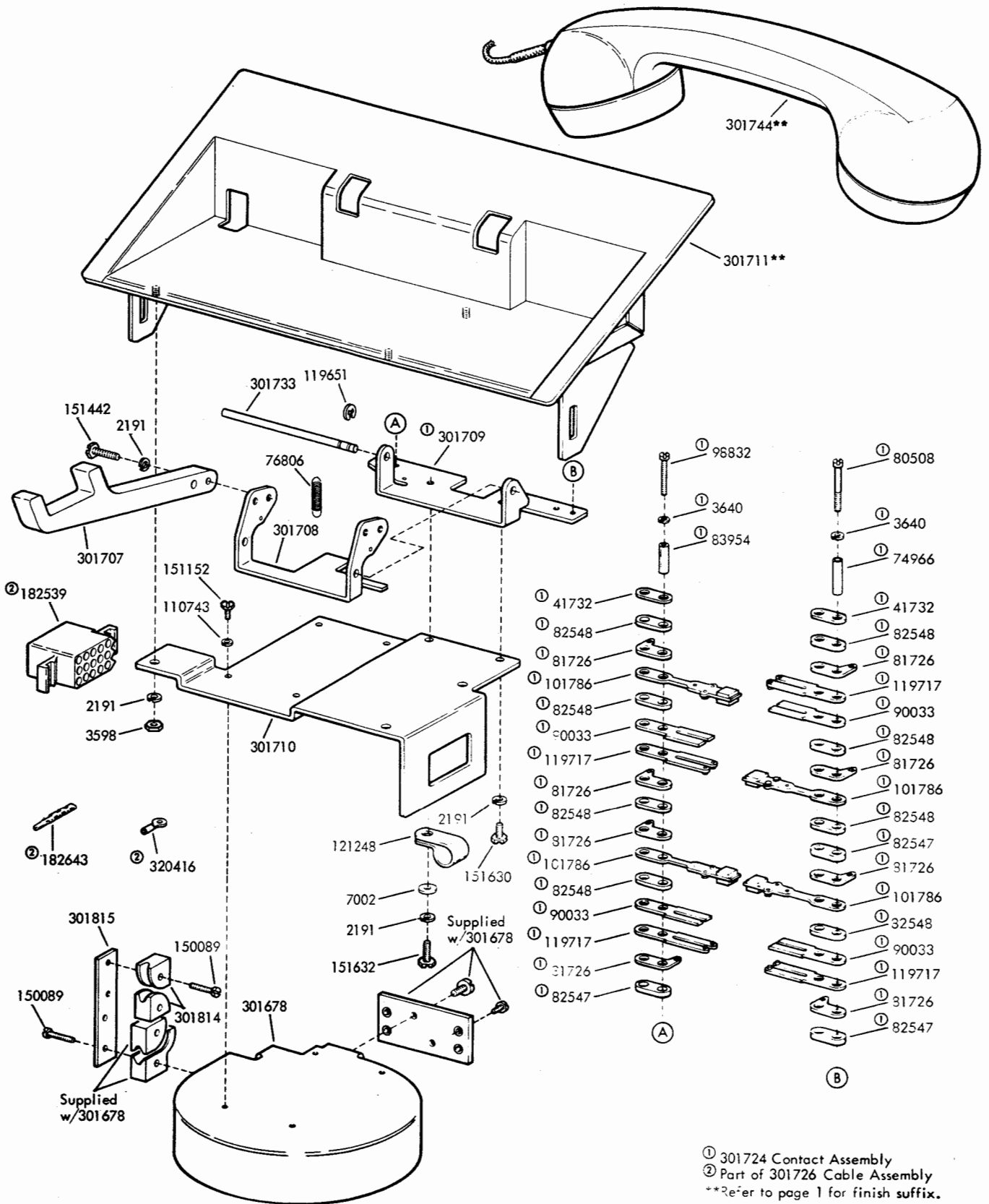


FIGURE 12. 301677\*\* TELEPHONE ASSEMBLY

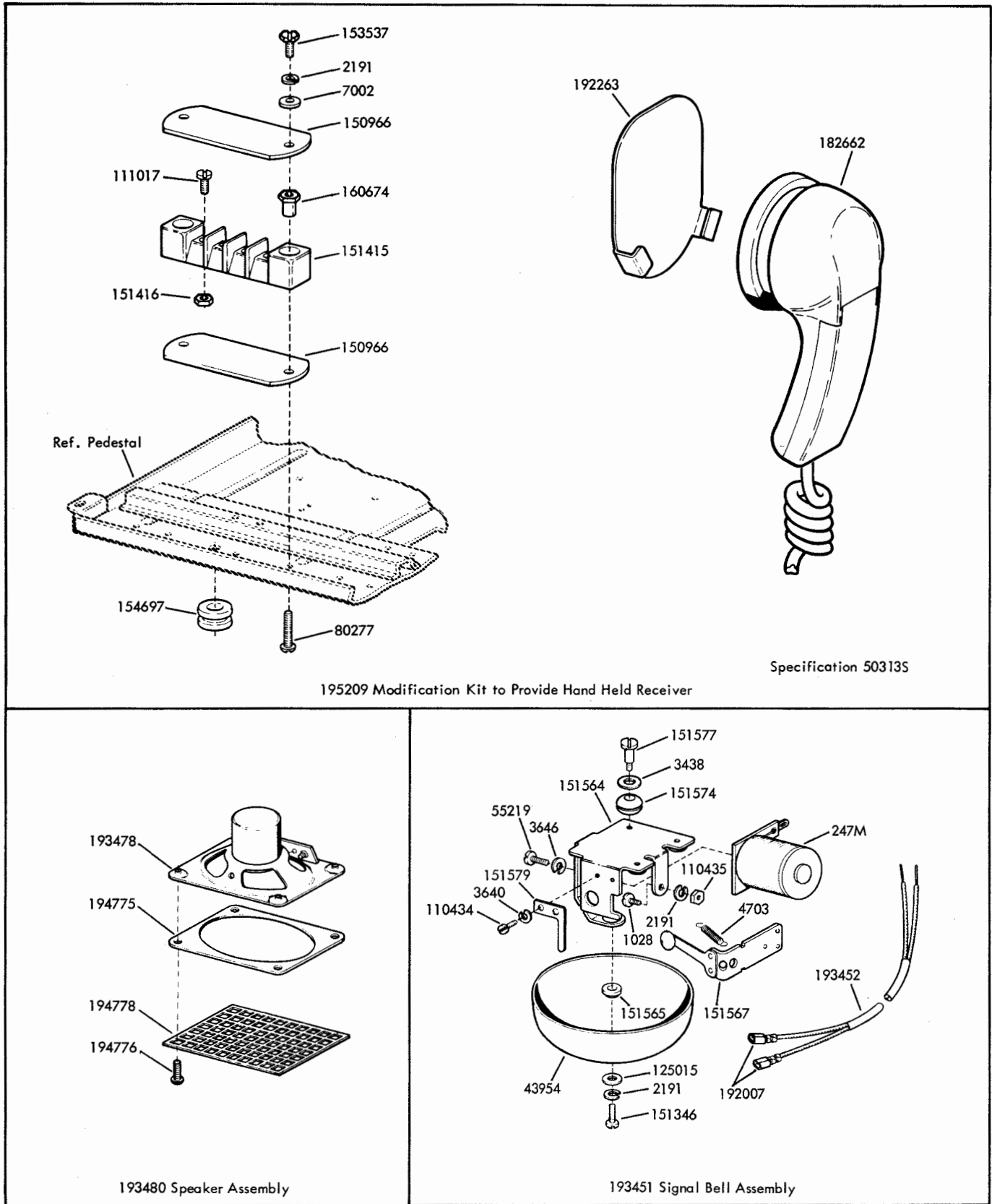
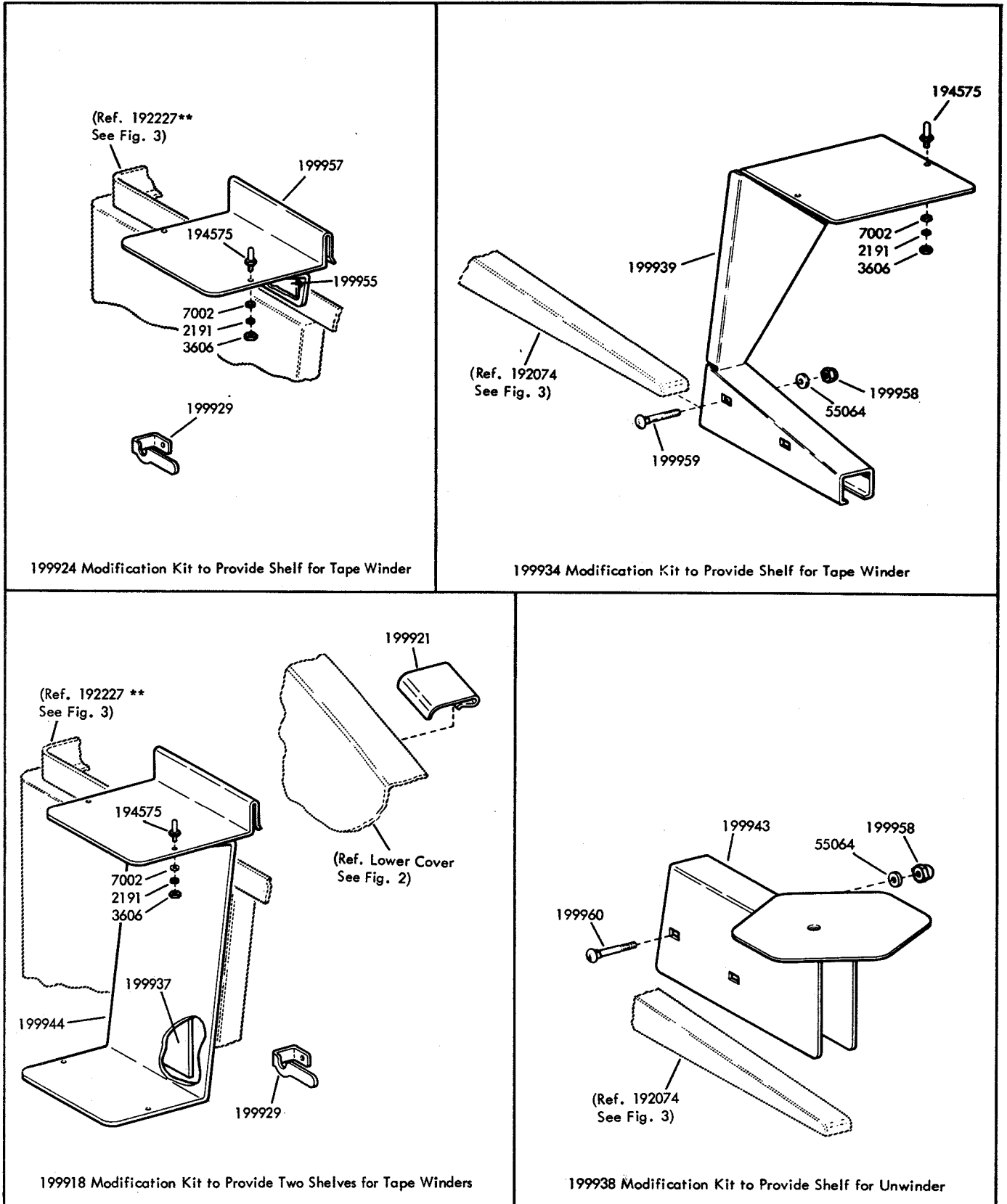


FIGURE 13. SPEAKER, SIGNAL BELL AND HAND HELD RECEIVER





\*\*Refer to page 1 for finish suffix

FIGURE 14. MODIFICATION KITS TO PROVIDE SHELVES FOR TAPE WINDERS AND UNWINDERS

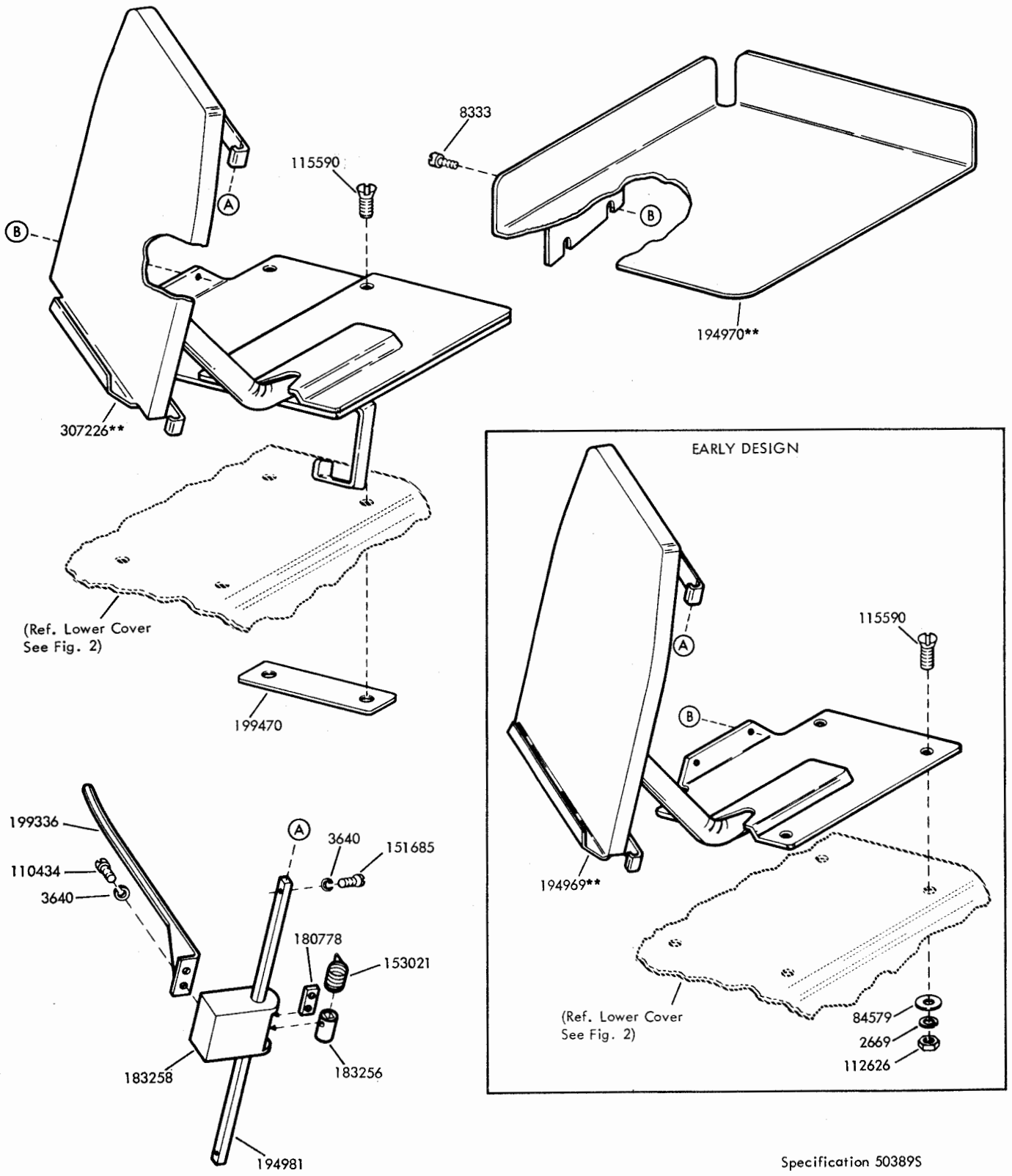
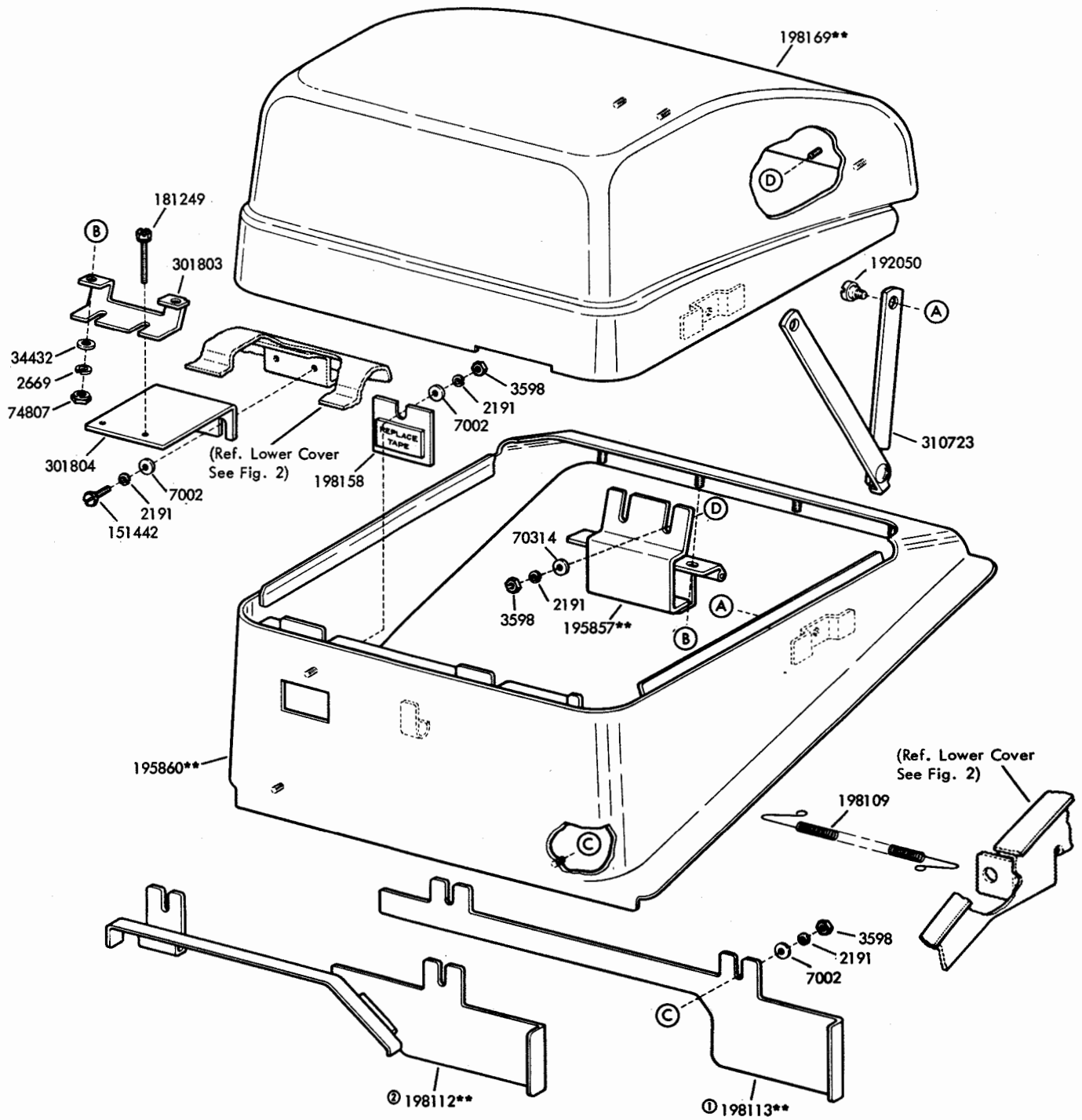
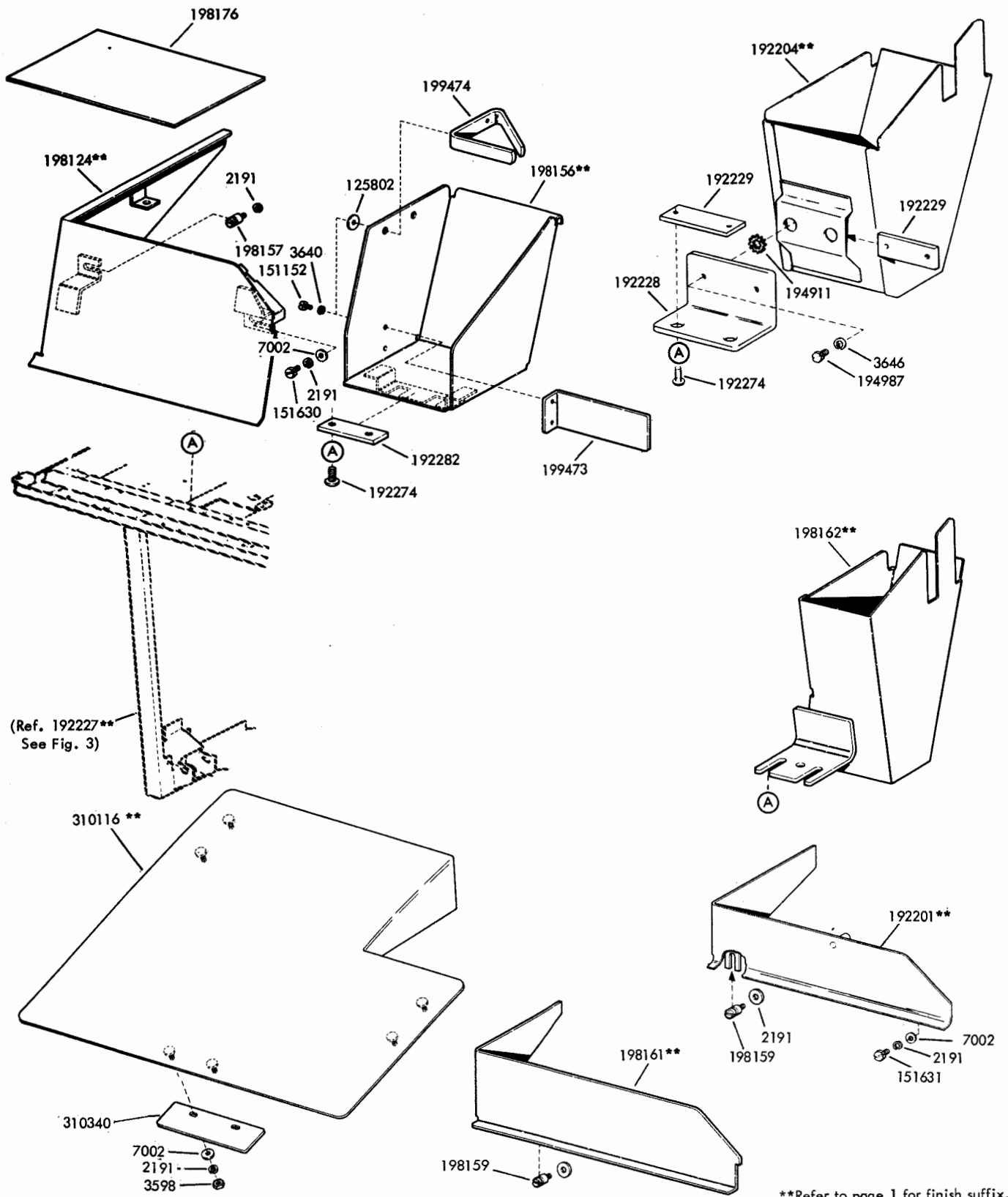


FIGURE 15. 307228\*\* MODIFICATION KIT TO ADD OFFSET COPYHOLDER



- ① Peculiar to 195833\*\*, for use with Two Shaft Transmitter Distributor.
- ② Peculiar to 198177\*\*, for use with Single Contact Transmitter Distributor.
- \*\*Refer to page 1 for finish suffix.

FIGURE 16. 195833\*\* AND 198177\*\* MODIFICATION KITS TO PROVIDE HOUSING FOR THE AUXILIARY REPERFORATOR



\*\*Refer to page 1 for finish suffix.

FIGURE 17: COVER PLATES AND TAPE CHUTES

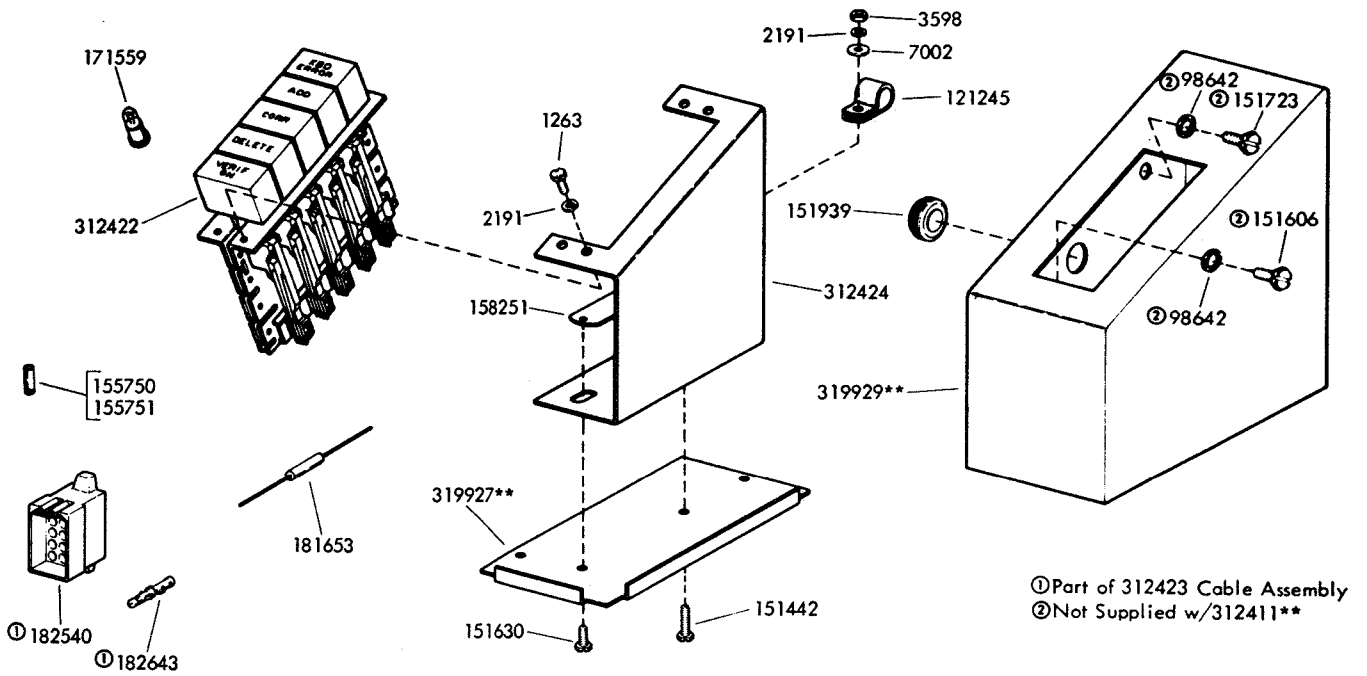
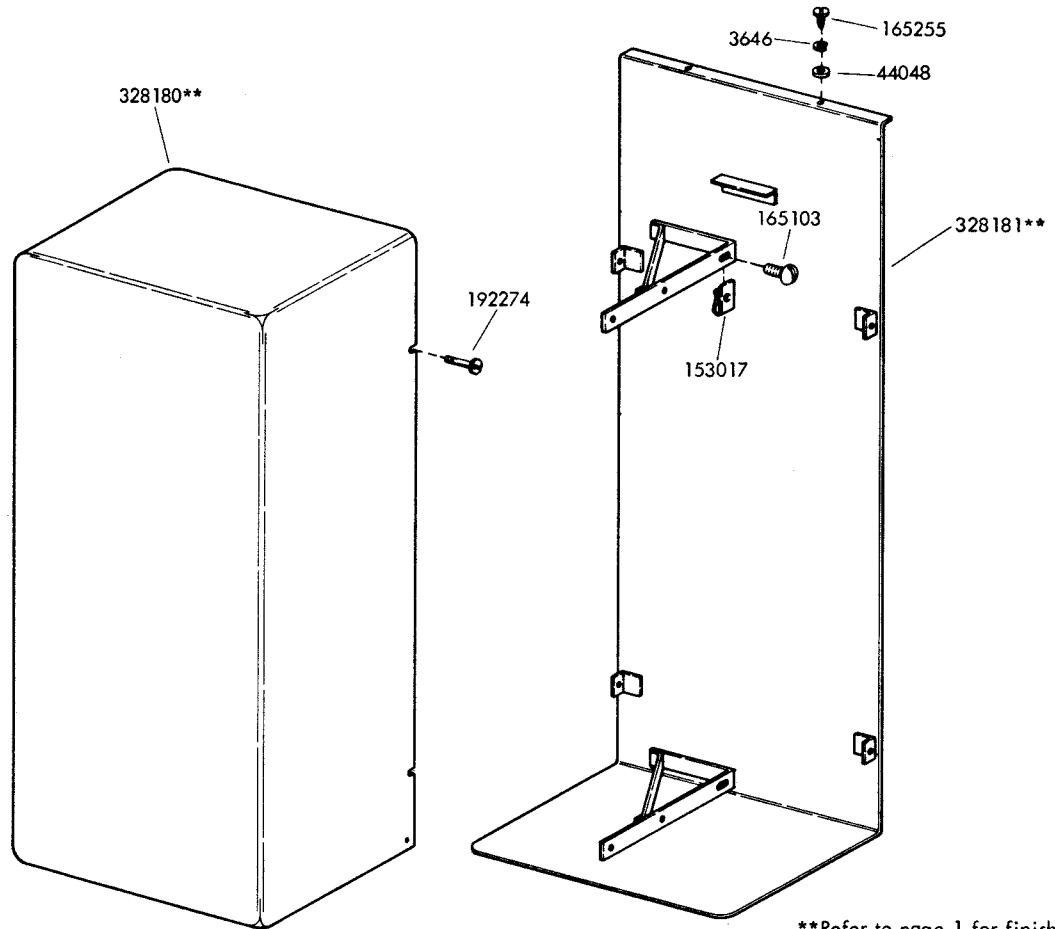


FIGURE 18. 312411\*\* KEYSWITCH ASSEMBLY



\*\*Refer to page 1 for finish suffix.

FIGURE 19. MODULE MOUNTING FACILITIES

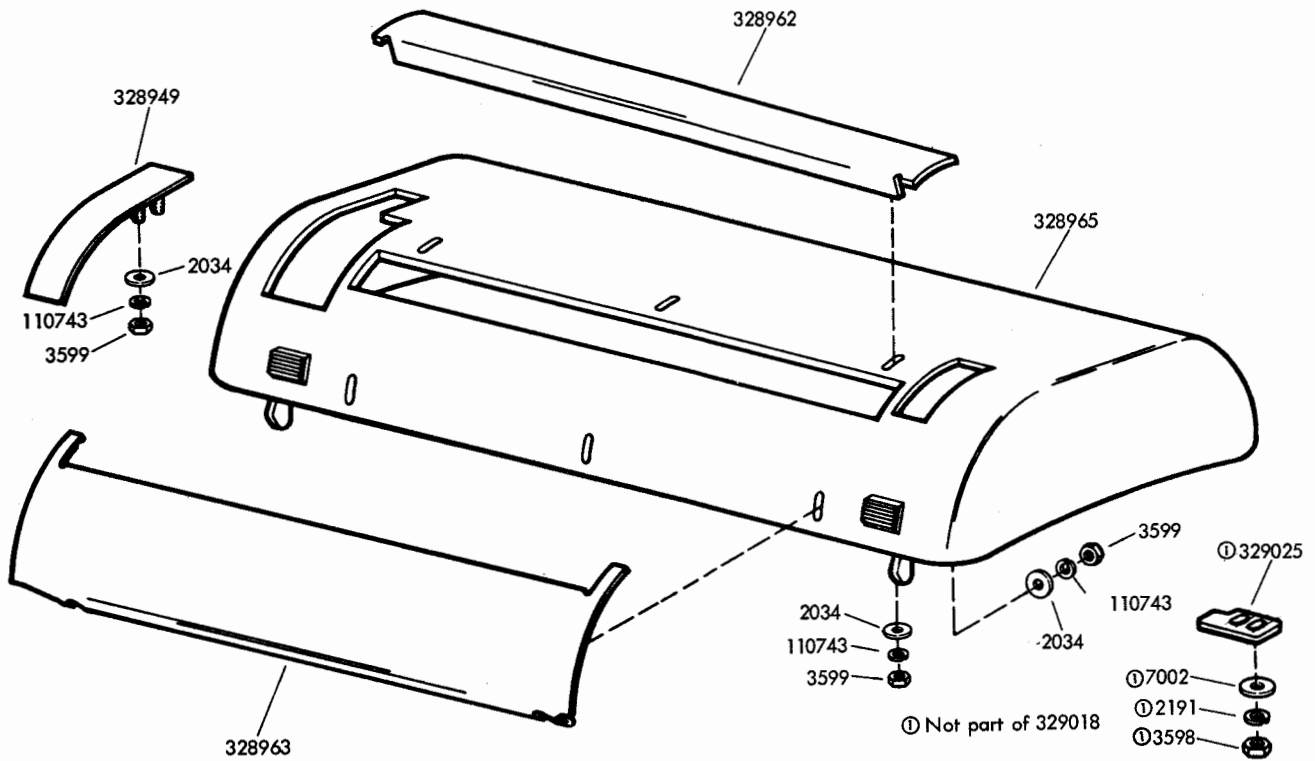
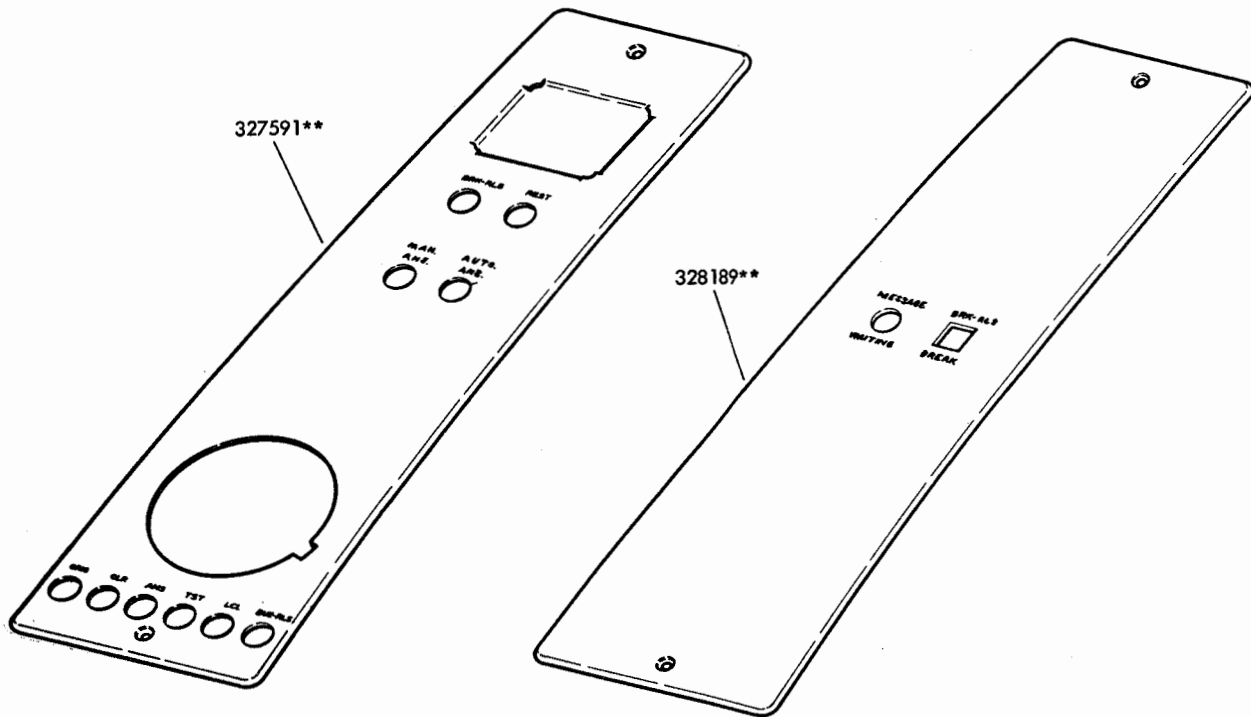
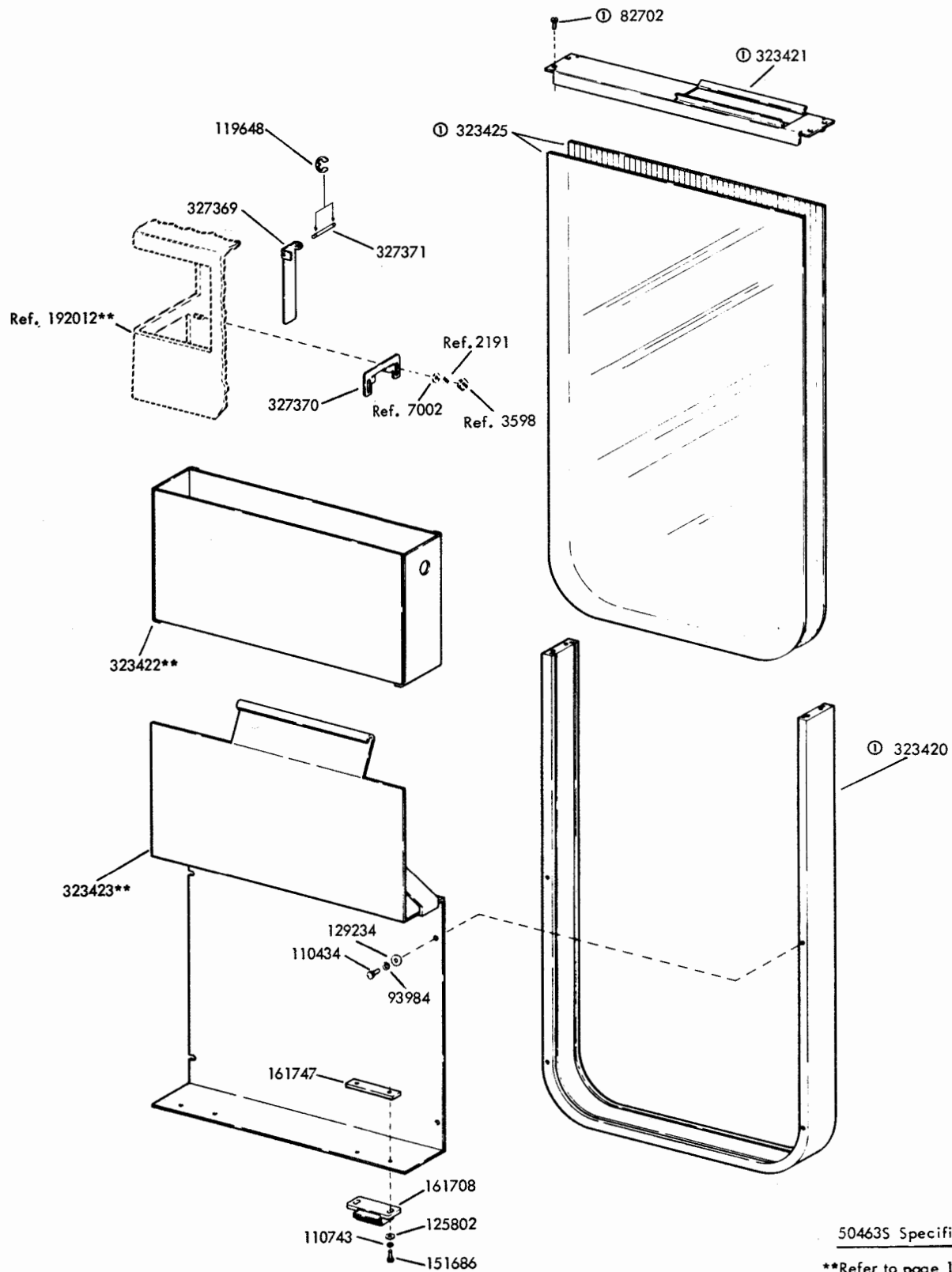


FIGURE 20. 329018 BUBBLE ASSEMBLY



\*\*Refer to page 1 for finish suffix.

FIGURE 21. FACEPLATES

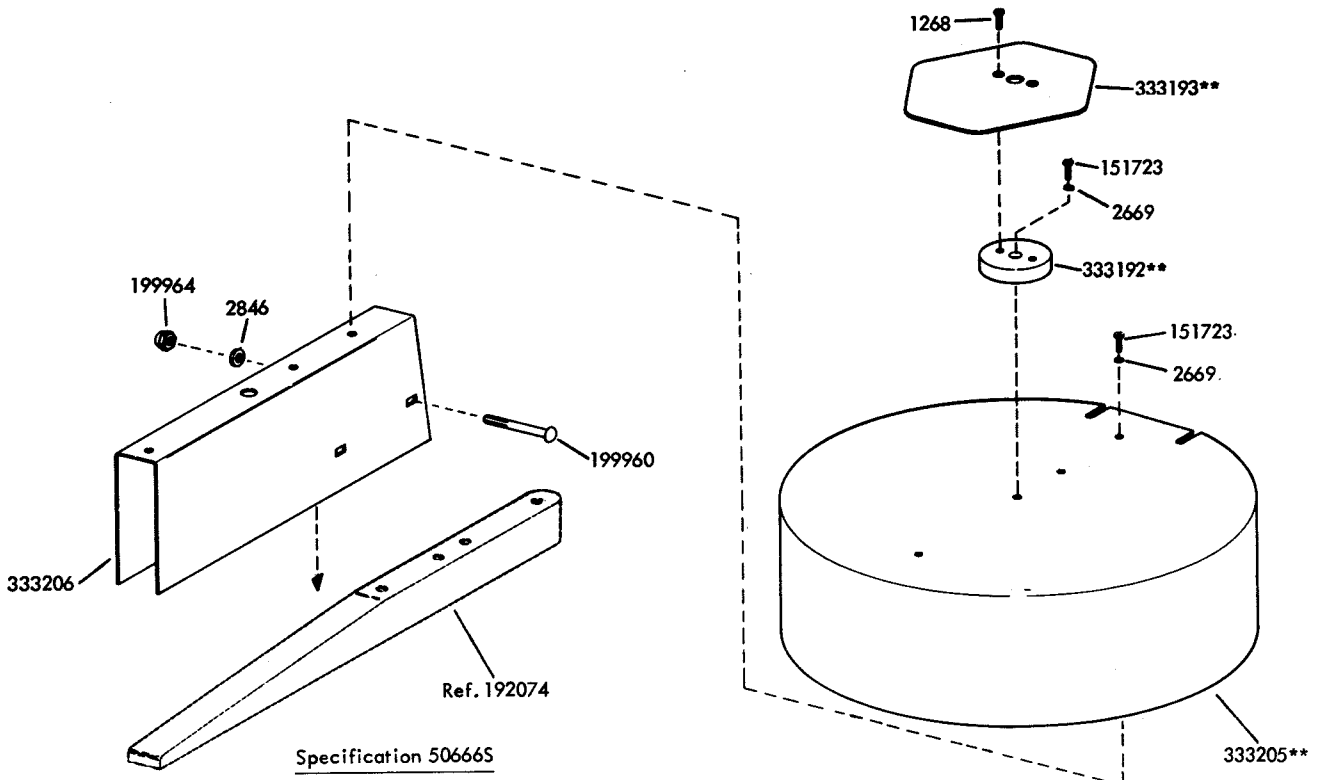


504635 Specification

\*\*Refer to page 1 for finish suffix

Ⓛ 323419 Tape Bin Assembly.

FIGURE 22. 323424\*\* INTERMEDIATE TAPE STORAGE BIN ASSEMBLY



\*\* Refer to Page 1 for finish suffix

FIGURE 23. 321584\*\* MODIFICATION KIT TO PROVIDE SHELF FOR CENTER UNWINDER

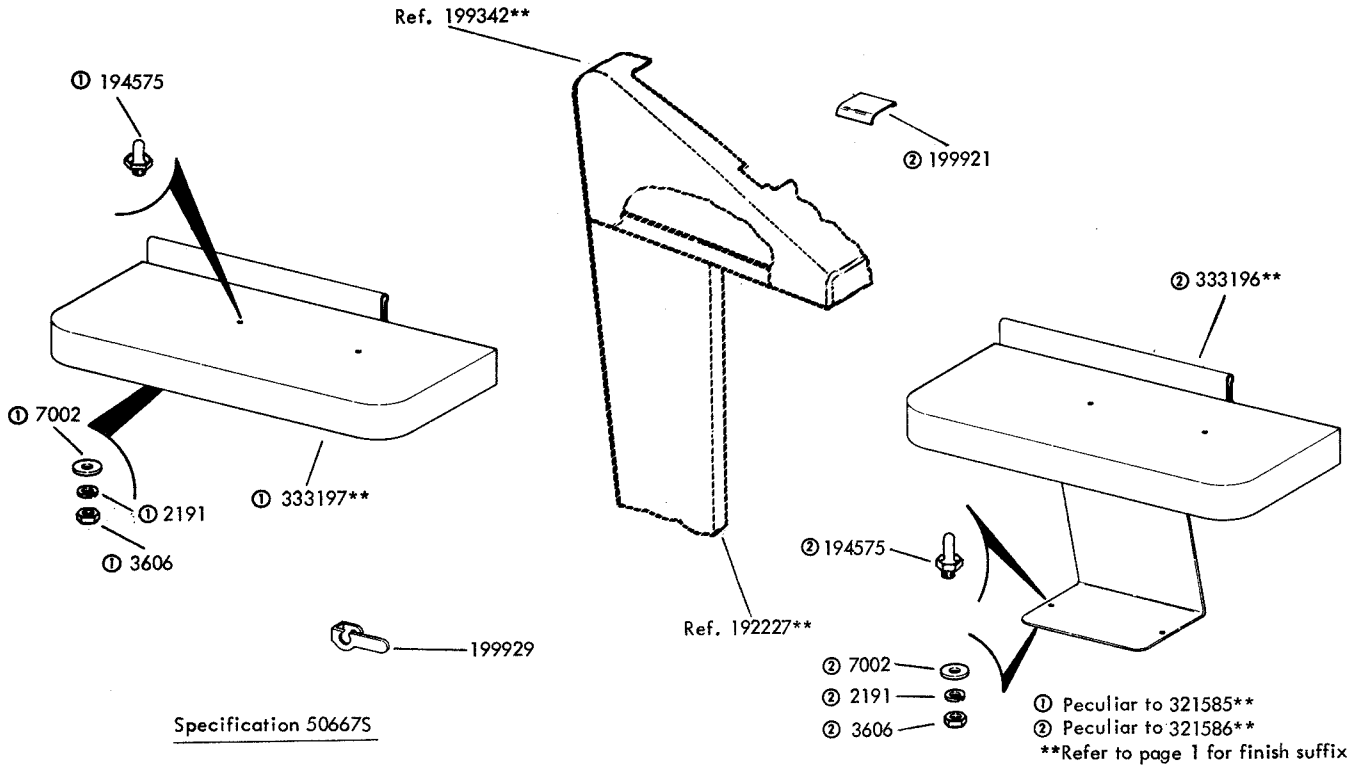
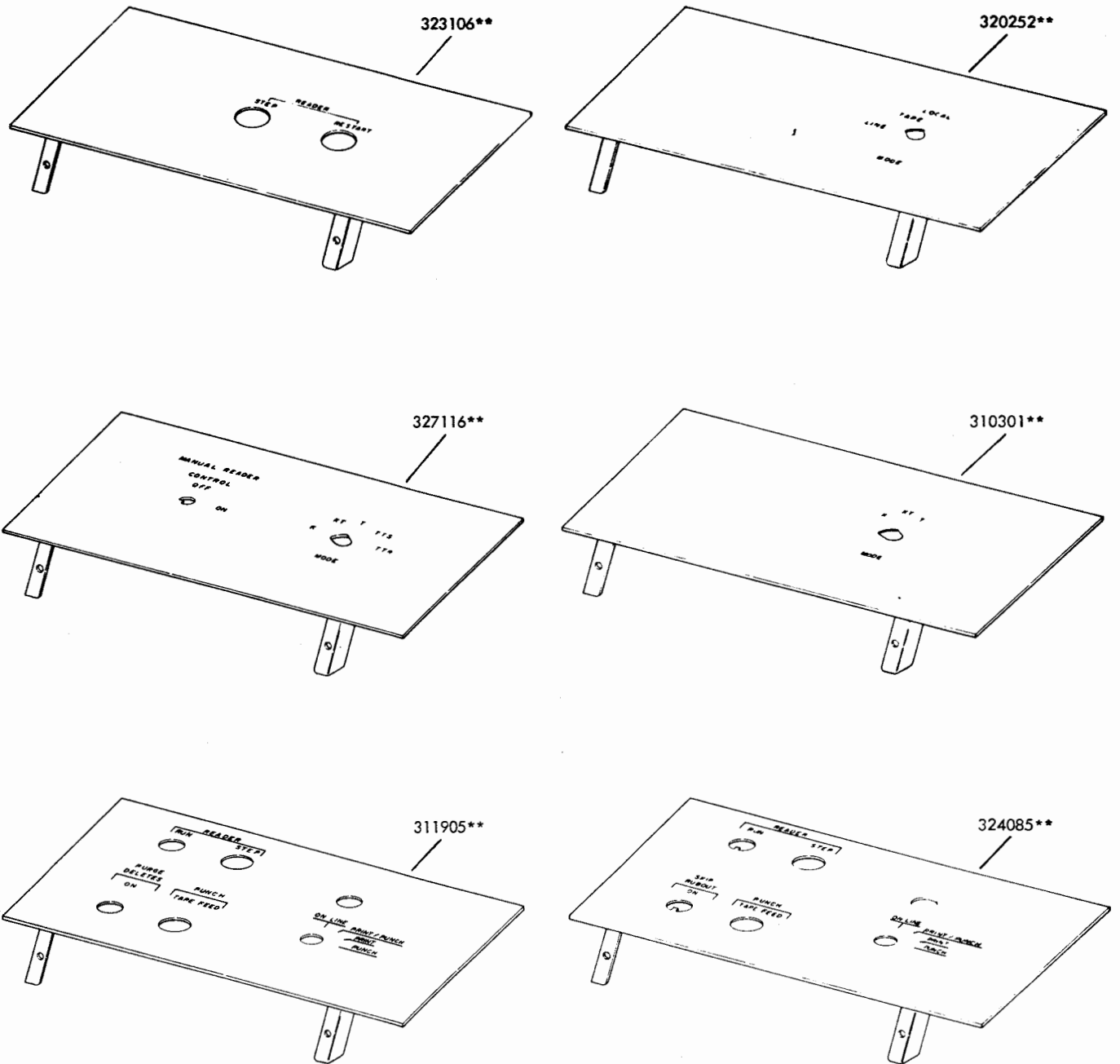


FIGURE 24. 321585\*\* (SINGLE) AND 321586\*\* (DOUBLE) MODIFICATION KITS TO PROVIDE MOUNTING SHELF FOR TAPE WINDERS





\*\*Refer to page 1 for finish suffix

FIGURE 25. CONTROL PANELS

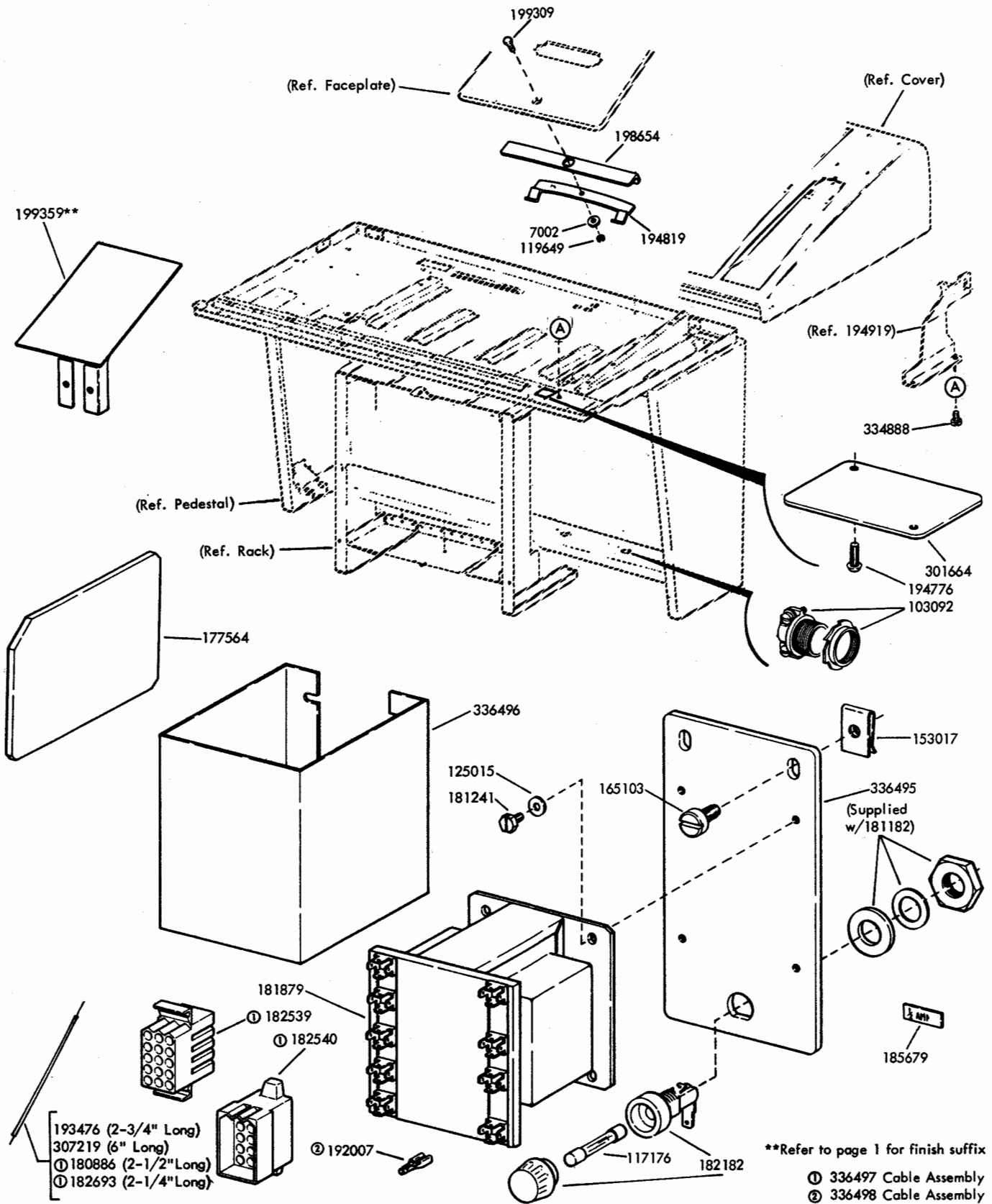


FIGURE 26. 336474\*\* MODIFICATION KIT TO ADAPT (UCC29) CALL CONTROL FOR USE IN MODEL 35 SETS (DATREX)

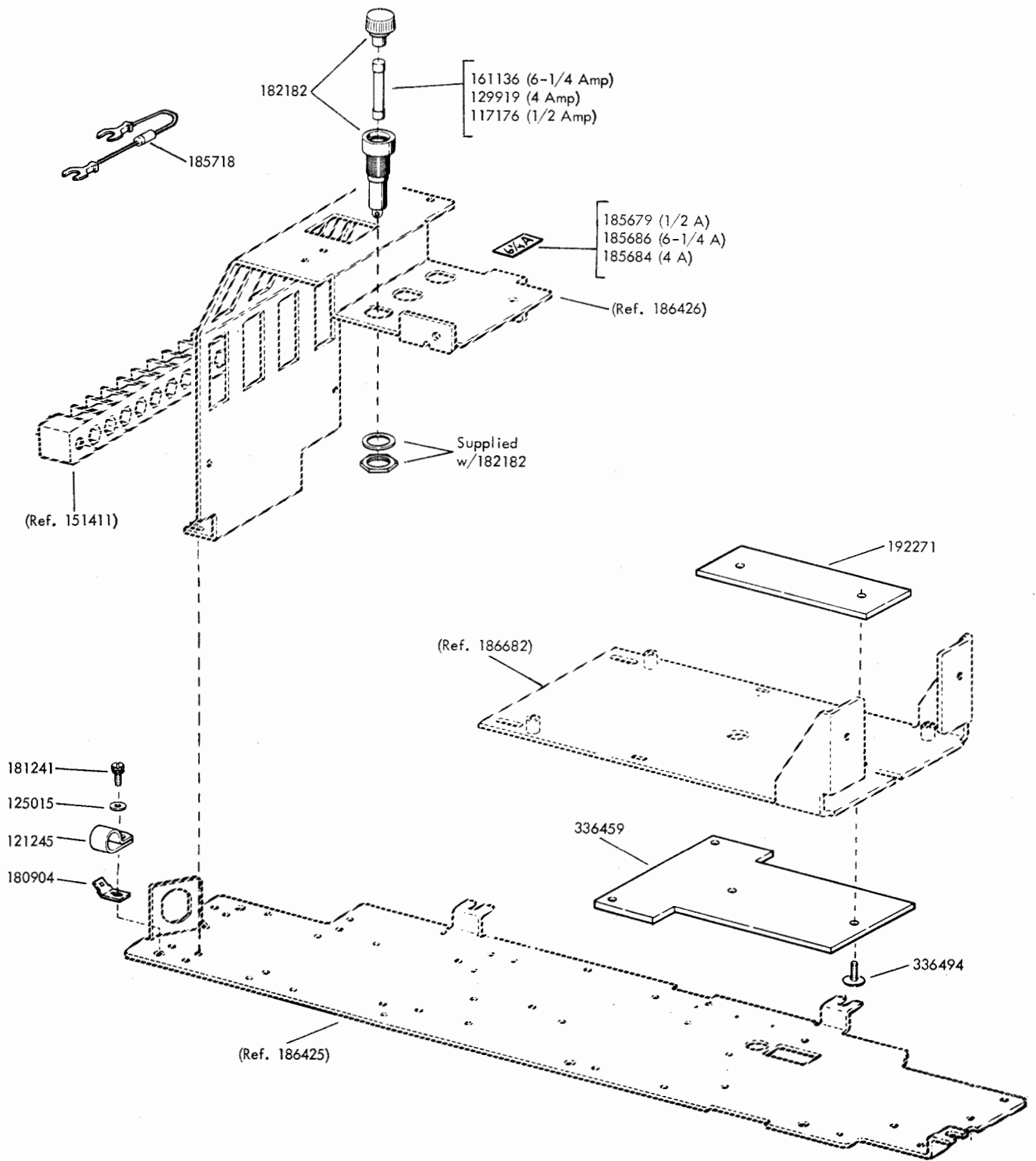


FIGURE 27. 336474\*\* MODIFICATION KIT TO ADAPT (UCC29) CALL CONTROL FOR USE IN MODEL 35 SETS (DATREX) Continued

## NUMERICAL INDEX

Part Number	Description and Page Number	Part Number	Description and Page Number	Part Number	Description and Page Number
247M	Coil, Magnet 14	80481	Screw, 6-40 Spl 12	117608	Nut, Speed 8
1028	Screw, 4-40 x 1/4 Fil 14	80508	Screw, 4-40 x 25/32 Fil 13	118384	Lens, Clear Indicator Light 4
1122	Screw, 8-32 x 9/32 Flat 4	81726	Terminal 13	119421	Washer, Flat 5
1170	Screw, 6-32 x 5/16 Flat 9	82267	Washer, Insulating 4	119648	Ring, Retaining 21
1263	Screw, 6-32 x 1/4 Fil 19	82547	Insulator, .094" Thk 13	119649	Ring, Retaining 10,24
1268	Screw, 6-40 x 5/16 Flat 22	82548	Insulator, .062" Thk 13	119651	Ring, Retaining 13
2034	Washer, Flat 2,20	82702	Screw, 6-40 x 9/32 Flat 21	119717	Spring, Contact 13
2191	Lockwasher 2,3,4,8,9, 11 to 15,17 to 20,21,22	82730	Screw, 10-32 Shoulder 7	119904	Spring 4
2449	Lockwasher 4	83954	Bushing, Insulating 13	121243	Clamp, 3/16 ID Cable 3,8
2658	Nut, 6-32 Hex 9	84579	Washer, Flat 16	121245	Clamp, 5/16 ID Cable 8,19, 25
2669	Lockwasher 2,3,4,5,16, 17,22	85976	Washer, Flat 12	121246	Clamp, 3/8 ID Cable 8
2846	Washer, Flat 4,22	87636	Screw, 2-56 x 3/16 Rd 9	121248	Clamp, 1/2 ID Cable 13
3438	Washer, Flat 4,14	88891	Spring 2	122476	Screw, No.6 Self-Tapping 4
3598	Nut, 6-40 Hex 2,4,8,9,11, 12,13,17 to 21	90033	Stiffener 13	124611	Screw, 8-32 x 3/8 Hex 4
3599	Nut, 4-40 Hex 2,20	90791	Lockwasher 9	124612	Screw, 8-32 x 1/2 Hex 3
3606	Nut, 6-40 Hex 15,22	93117	Lockwasher 8	125015	Washer, Flat 14,24,25
3640	Lockwasher 8,11,13,14,16, 18	93984	Lockwasher 21	125126	Screw, 2-56 x 9/32 Fil 8
3646	Lockwasher 3,4,5,12,14, 18,19	94712	Washer, Flat 11	125802	Washer, Flat 18,21
4703	Spring 14	96717	Screw, 4-40 Shoulder 9	128913	Screw, 8-32 Self-Tapping 4
6344	Screw, 6-32 x 11/32 Hex 11	98642	Lockwasher 19	129234	Shim, .035" Thk 21
6345	Nut, 6-32 Hex 3	98718	Washer, Flat 4	129919	Fuse, SL-BL 4 Amp 25
6970	Nut, 3/8 Hex 5	98832	Screw, 4-40 x 11/16 Fil 13	139697	Screw, 4-40 x 9/32 Fil 11
7002	Washer, Flat 2,3,4,8 to 15,17 to 22,24	100658	Connector, 2 Pt Plug 11	142159	Bulb, 6V Lamp 9
7015	Plate, Nut 12	101633	Washer, Flat 2,4	142292	Jumper, 1-1/2" Yellow 9
8333	Screw, 10-32 x 3/8 Rd 16	101786	Spring, Contact 13	142352	Foot, Mounting 12
34432	Washer, Flat 17	102755	Screw, 6-40 x 7/16 Flat 12	144778	Screw, No.6 Self-Tapping 4
35826	Washer, Flat 5	102994	Washer, Flat 7	147209	Switch, SP-ST Pushbutton 8,9
36273	Washer, Flat 9	103092	Connector, Cord 4,24	148157	Knob, Gray 8,9
41732	Plate, Clamp 13	103160	Jumper, 2-5/8" Black 9	150040	Screw, 6-40 x 5/8 Fil 12
43954	Bell 14	105029	Washer, Flat 4	150089	Screw, 4-40 x 1/2 Fil 13
44048	Washer, Flat 12,19	107084	Lockwasher 8,9	150432	Washer, Flat 12
49054	Screw, 2-56 x 3/16 Flat 9	107116	Lockwasher 8,9,11	150966	Insulator, Terminal Block 14
55064	Washer, Flat 15	110434	Screw, 4-40 x 3/16 Fil 14,16,21	151152	Screw, 4-40 x 3/16 Hex 13,18
55219	Screw, 8-32 x 3/8 Fil 14	110435	Nut, 4-40 Hex 14	151346	Screw, 6-40 x 3/8 Fil 12,14
70314	Washer, Flat 17	110743	Lockwasher 2,13,20,21	151411	Block, Terminal 25
70720	Screw, 10-32 Shoulder 2,4	111017	Screw, 6-40 x 5/16 Fil 14	151415	Block, Terminal 14
74567	Screw, 1/4-20 x 33/64 Hex 4	111713	Screw, 2-56 x 5/32 Flat 9	151416	Nut, 6-40 Hex 14
74807	Nut, 10-32 Shoulder 2,4, 5,17	112626	Nut, 10-32 Hex 3,16	151442	Screw, 6-40 x 1/2 Hex 11,13,17,19
74966	Bushing, Insulating 13	113444R	Jumper, 5-1/2" Red 9	151534	Screw, 10-32 Shoulder 3,4
76474	Nut, 10-32 Hex 4	115590	Screw, 10-32 x 1/2 Oval 16	151540	Lamp, Holder 11
76806	Spring 13	115594	Nut, Speed 3		
80277	Screw, 6-40 x 9/16 Rd 14	116793	Lockwasher 4		
		117176	Fuse, SL-BL .5 Amp 24,25		
		117535	Washer, Flat 4		

## NUMERICAL INDEX (Continued)

Part Number	Description and Page Number	Part Number	Description and Page Number	Part Number	Description and Page Number
151549	Post 5	155753	Sleeve, 1/8 ID x 1/2" Lg Insulating 9	181921**	Faceplate 10
151564	Bracket 14	155754	Sleeve, 1/16 ID x 1/2" Lg Insulating 9	181922**	Faceplate 10
151565	Bushing, Shoulder 14	155755	Sleeve, 11/64 ID x 5/8" Lg Insulating 9	182182	Holder, Fuse 24,25
151567	Armature w/Claper 14	158251	Plate, Mounting 19	182524	Button Assembly 9
151574	Grommet, Rubber 14	160664	Pin, Roll 2	182526	Screw, 4-40 Spl 9
151575	Arm, Stop 4	160674	Nut, 6-40 Shoulder 14	182529	Lamp, 10V 9
151577	Screw, 6-40 Shoulder 14	161136	Fuse, SL-BL 6-1/4 Amp 25	182533	Screw, 6-32 x 5/16 Rd 9
151579	Plate, Retaining 14	161708	Latch, Magnetic 21	182534	Screw, 6-40 Spl 9
151606	Screw, 10-32 x 1/4 Hex 19	161747	Plate, Nut 21	182535	Spring 9
151618	Screw, 6-40 x 7/16 Fil 12	161912	Switch, SP-ST 9	182539	Connector, 15 Pt Receptacle Type 8,13,24
151630	Screw, 6-40 x 1/4 Hex 11, 13,18,19	165102	Screw, 12-24 x 3/8 Rd 4	182540	Connector, 15 Pt Plug Type 8,19,24
151631	Screw, 6-40 x 5/16 Hex 3,4,18	165103	Screw, 12-24 x 5/8 Rd 19,24	182553	Plate, Base 9
151632	Screw, 6-40 x 3/8 Hex 3,13	165168	Key 8	182554	Spring, Compression 9
151657	Screw, 6-40 x 1/4 Fil 2,12	165255	Screw, No.8 Spl 12,19	182556	Lockout 9
151658	Screw, 6-40 x 5/16 Fil 12	171441	Resistor, 560 Ohm 9	182558	Frame 9
151685	Screw, 4-40 x 5/16 Fil 16	171559	Lamp, 28V Incandescent 9,19	182559	Plunger 9
151686	Screw, 4-40 x 3/8 Fil 21	172745	Bushing, .406 Lg 12	182561	Contact Assembly 9
151722	Screw, 6-40 x 3/16 Hex 2, 11	173716	Terminal, Receptacle Type 8	182562	Contact Assembly 9
151723	Screw, 10-32 x 3/8 Hex 19,22	177564	Card, Circuit 24	182562	Terminal, Plug Type 8, 11,13,19
151725	Screw, 10-32 x 3/4 Fil 3	178707	Bumper, Rubber 2	182643	Terminal, Receptacle Type 8
151734	Screw, 4-40 x 3/8 Hex 8	178839	Nut, 11/32-32 Hex 9	182644	Terminal, Receptacle Type 8
151939	Grommet, Rubber 19	180778	Plate 16	182645	Connector, 9 Pt Receptacle Type 8
151982	Lamp, 6V Incandescent 11	180798	Screw, 8-32 Self-Tapping 4	182647	Connector, 12 Pt Plug Type 8
152441	Washer, Flat 4	180886	Jumper, 2-1/2" Green 24	182648	Connector, 12 Pt Receptacle Type 8
152797**	Plate, Retaining 3	180904	Tab, Terminal 25	182653	Knob 9
153017	Nut, Speed 4,19,24	181241	Screw w/Lockwasher, 6-40 x 1/4 Hex 8,24,25	182658	Socket, Lamp 9
153020	Guide, Line 11	181242	Screw w/Lockwasher, 6-40 x 5/16 Hex 8	182660	Switch, Pushbutton 8,9
153021	Spring, Torsion 11,16	181249	Screw w/Lockwasher, 6-40 x 1 Hex 17	182662	Receiver 14
153022	Bushing 11	181287	Holder, Card 10	182663	Plunger 9
153442	Screw, 10-32 x 1/2 Hex 4,5	181288	Label, White 10	182664	Contact Assembly 9
153537	Screw, 6-40 x 9/32 Hex 2,14	181289	Window, Plastic 10	182666	Bar, Latch 9
153830	Guide, Rear 12	181292	Window, Plastic 10	182667	Plunger 9
153833	Bracket, Guide 12	181638	Contact Assembly 9	182683	Resistor, 50 Ohm 9
153839	Screw, 6-40 x 5/8 Hex 11	181653	Diode 19	182684	Strap 9
153842	Clip, Paper Holder 12	181879	Transformer, Power 24	182693	Jumper, 2-1/4" Orange 24
153926	Modification Kit 12	181894	Sleeve, 3/64 ID x 2" Lg Insulating 9	182713	Cap, Amber Lens 9
154263	Bumper, Rubber 4	181905**		182714	Cap, White Lens 9
154409	Plate 4	181915**	Faceplate 10	182715	Cap, Red Lens 9
154697	Grommet, Rubber 14			182760	Screw, 6-32 Spl 10
155750	Sleeve, 3/32 ID x 1/2" Lg Insulating 9			182769	Block 8
155751	Sleeve, 1/8 ID x 1" Lg Insulating 19			183252	Post 11
				183256	Buhsing 16
				183258	Handle, Copyholder 16
				185677	Terminal, Receptacle Type 8

\*\* Refer to page 1 for finish suffix

## NUMERICAL INDEX (Continued)

Part Number	Description and Page Number	Part Number	Description and Page Number	Part Number	Description and Page Number
185679	Plate, Identification 24,25	192182	Bracket, Mounting 5	192290	Pad, Base 4
185684	Plate, Identification 25	192191	Knob 11	192293	Pad, Lower Cover Side 3
185686	Plate, Identification 25	192192	Bushing 11	192294	Pad, Tray 3
185718	Diode w/Terminals 25	192193	Shaft 11	192295	Pad, Upper Cover Side 2
186425	Plate, Base 25	192201**	Coverplate 18	192296	Pad, Upper Cover Side 2
186426	Bracket 25	192202**	Plate w/Brackets 6	192538	Plug, Button 8
186682	Bracket 25	192203	Window, Plastic 2	193179	Lamp, 28V 9
192006**	Cover, Lower 3	192204**	Chute, Tape 18	193426	Bracket, Right 9
192007	Terminal, Tab Type 8,14, 24	192212	Bracket, Lamp 11	193427	Bracket, Left 9
192012**	Cover, Upper 2,21	192227**	Pedestal w/Pan 4,5,15, 18,22	193430**	Panel 7
192014	Connector, 50 Pt Receptacle Type 9	192228	Bracket 18	193434	Button Assembly 9
192050	Screw, 10-32 Shoulder 17	192229	Plate, Nut 18	193438	Strip, Lamp 9
192054	Nut, 8-32 Shoulder 4	192230	Plate, Clamp 2	193476	Jumper, 2-3/4" Black 24
192056	Handle 4	192245**	Container, Chad 4	193451	Bell Assembly, Signal 14
192067	Bubble 2	192248	Bracket Assembly, Lamp 11	193452	Cable w/Terminals 14
192068	Bracket, Right Pivot 2	192249**	Shelf, Paper Box 12	193478	Speaker 14
192069	Bracket, Left Pivot 2	192252	Cable Assembly 11	193480	Speaker Assembly 14
192070	Guide, Form 2	192253	Nut, No.6 Speed 3	194575	Post, Locating 15,22
192073	Window, Glass 2	192255	Nut, No.6 Speed 3	194775	Spacer, .050" Thk 14
192074	Foot w/Nut 4,15,22	192254	Screw, 6 x 3/4 Self-Tapping 3	194776	Screw, 6-32 Spl 14,24
192081	Ring 5	192256	Hinge, Left 3	194777	Bracket, Switch 9
192082	Bushing 5	192259**	Shelf, Paper 12	194778	Grille, Speaker 14
192083	Washer, Flat 5	192260**	Modification Kit 12	194819	Clip, Spring 10,24
192084	Bracket, Right Rear 5	192261**	Bracket, Backstop 12	194822	Holder, Directory 12
192085	Bracket, Left Rear 5	192262**	Plate, Deflector 12	194823	Plate, Nut 3
192086	Bracket, w/Stud 5	192263	Holder, Handset 14	194902	Bracket, Stop 4
192088**	Tray, Paper 3	192264**	Plate, Mounting 12	194904	Hinge w/Pin 3
192089**	Fence, Paper 3	192266	Plate 2	194905	Bracket, Hinge 4
192090	Bracket 3	192267	Button 2	194911	Lockwasher 5,18
192103	Window, Plastic 2	192269	Nut, Speed 10	194912	Screw, 10-32 Shoulder 4
192106	Plate, Nut 5	192270	Bracket 4	194913	Nut, 10-32 Acorn 4
192115	Pad, Upper Cover Front 2	192271	Plate, Nut 4,25	194914	Modification Kit 12
192116**	Cover, Form Slot 3	192272	Nut, Speed 4	194919	Bracket, Latch 4,24
192137**	Rack, Mounting 4	192273	Nut, Speed 4	194920	Latch, Lower Cover 4
192138**	Rack, Mounting 4	192274	Screw, 8-32 Spl 3,4,5,18, 19	194921	Pin, Stop 4
192139	Lamp, 6V 11	192276	Hinge, Right 3	194922	Latch, Left Dome 2
192149	Plate, Latch 2	192278	Arm, Right Counter Balance 3	194966	Latch, Right Dome 2
192150	Bracket 4	192279	Arm, Left Counter Balance 3	194969**	Copyholder 16
192155	Bracket, Right Front 5	192280	Bracket, Mounting 5	194970**	Tray 16
192158**	Panel 4	192281	Bracket 5	194981	Shaft, Line Guide 16
192163	Frame 5	192282	Plate, Nut 4,5,18	194983	Retainer 3
192165	Spring, Detent 3	192286	Nut, Speed 3,11	194984	Screw, No.6 x 1-1/2 Spl 4
192166	Bushing 5	192287	Nut, Speed 3,11	194985	Clamp 2
192177	Terminal, Receptacle Type 8	192288	Fastener, Pushbutton 4	194987	Screw, 8-32 x 3/8 Hex 5,18
192178**	Plate 6	192289	Nut, No.14 Speed 4	194988	Screw, 10-32 Spl 3
192179	Bracket, Mounting 5		Screw, 1/4-14 Self-Tapping 4	195209	Modification Kit 14
				195629	Plate 2
				195833**	Modification Kit 1,17

\*\*Refer to page 1 for finish suffix

## NUMERICAL INDEX (Continued)

Part Number	Description and Page Number	Part Number	Description and Page Number	Part Number	Description and Page Number
195839**	Bracket, Backstop 12	199323	Cable Assembly 11	301738**	Panel 7
195844	Lamp, 6V 9	199324	Cover, Lamp 11	301740**	Plate 6
195857**	Cover 17	199335	Shaft 11	301744**	Handset Assembly 13
195860**	Housing 17	199336	Guide, Line 16	301769	Bar, Latch 9
195861	Extension, Foot 12	199337	Retainer 4	301770	Bracket, Latch 4
195871	Label 2	199342**	Cover, Lower 3,22	301800	Bracket, Left Latch 4
195877	Nut, 9/16-27 Hex 4	199343**	Tray, Paper 3	301801	Latch, Cover 4
197028	Terminal 4	199347	Bracket Assembly, Lamp 11	301803	Plate 17
197081	Switch, 3 Positions 8	199349	Cable Assembly 11	301804	Plate 17
197082	Bracket, Switch 9	199353**	Plate, Right 6	301814	Guide, Inner Cord 13
198019	Lamp, 6V 9	199358**	Plate w/Studs 6	301815	Strip, Mounting 13
198109	Spring 17	199359**	Plate w/Studs 6,24	304266	Switch, Rocker 9
198112**	Plate 17	199362	Post, Pivot 4	305058	Guide, 10" Form 2
198113**	Plate 17	199418	Insulator 8	305725	Spring, Stop 4
198124**	Coverplate 18	199448	Switch, Rotary 8	306670	Guide, 3-5/8" Form 2
198156**	Compartment, Tape 18	199470	Plate, Nut 16	306671	Guide, 4" Form 2
198157	Post 18	199473	Baffle, Tape 18	306672	Guide, 4-1/4 or 4-5/16" Form 2
198158	Indicator, Replace Tape 17	199474	Guide, Tape 18	306673	Guide, 4-1/2" Form 2
198159	Post 18	199918	Modification Kit 15	306674	Guide, 5" Form 2
198161**	Coverplate 18	199921	Strip, Wear 15,22	306675	Guide, 5-1/2" Form 2
198162**	Funnel, Tape 18	199924	Modification Kit 15	306676	Guide, 3-3/4" Form 2
198163**	Fence, Bracket 3	199929	Guide, Tape 15,22	306677	Guide, 6" Form 2
198164**	Plate 6	199934	Modification Kit 15	306678	Guide, 6-1/4" Form 2
198169**	Dome 17	199937	Magnet 15	306679	Guide, 6-3/8" Form 2
198176	Plate w/Studs 18	199938	Modification Kit 15	306680	Guide, 6-1/2" Form 2
198177**	Modification Kit 1,17	199939	Shelf, Tape Winder 15	306681	Guide, 7" Form 2
198246**	Plate w/Studs 6	199943	Shelf, Tape winder 15	306682	Guide, 7-1/2" Form 2
198251**	Panel 7	199944	Shelf 15	306683	Guide, 8" Form 2
198253	Switch, Rotary 9	199955	Magnet 15	306684	Guide, 8-1/2" Form 2
198286**	Panel 7	199957	Shelf 15	306685	Guide, 9" Form 2
198299	Label 2	199958	Nut, Cap 15	306731	Gasket 2
198413	Switch, Lever 9	199959	Bolt, 1/4-20 x 1-1/2 Rd 15	307219	Jumper, 6" Black 24
198437**	Panel 7	199960	Bolt, 1/4-20 x 1-3/4 Rd 15,22	307226**	Copyholder 16
198451	Bracket, Switch 9	199964	Nut, 1/4-20 Cap 22	307228**	Modification Kit 1,16
198513**	Panel 7	301664	Coverplate 24	308437	Pin, Shoulder 8,9
198527	Bracket 9	301670**	Plate 6	310116**	Cover 18
198648**	Plate, Hanger 4	301671**	Panel 7	310301**	Panel 23
198654	Bracket, Locating 10,24	301677**	Telephone Assembly 1,13	310340	Clamp 18
199250	Nameplate 3	301678	Reel Assembly, Cord 13	310723	Arm, Stop 17
199253	Nameplate 3	301707	Hook, Switch 13	311905**	Panel 23
199256	Nameplate 3	301708	Bail 13	312278**	Cover, Upper 2
199259	Nameplate 3	301709	Bracket, Mounting 13	312411**	Switch Assembly, Keyset 1,19
199272	Nameplate 3	301710	Plate, Mounting 13	312422	Switch 19
199275	Nameplate 3	301711**	Container 13	312423	Cable Assembly 19
199306	Guide 2	301724	Contact Assembly 13	312424	Bracket, Switch 19
199309	Stud 10,24	301726	Cable Assembly 13	319927**	Plate, Bottom 19
199317	Relay 8	301733	Shaft 13	319929**	Container, Switch 19
199318	Clamp 11	301736	Bracket, Switch 9		
199321	Bracket 11				

\*\*Refer to page 1 for finish suffix

## NUMERICAL INDEX (Continued)

Part Number	Description and Page Number	Part Number	Description and Page Number	Part Number	Description and Page Number
320252**	Panel 23	326615**	Panel 8	328797	Insulator 9
320408	Terminal, Spade Type 8	326616	Bracket 8	328949	Guard 20
320410	Terminal, Spade Type 9	326617	Switch, NO-NC Push-button 8	328962	Guide, Form 20
320416	Terminal, Ring Type 13	326620**	Panel w/Studs 8	328963	Guide, Form 20
320418	Terminal, Ring Type 8,9	326621	Bracket 8	328965	Bubble 20
321094**	Shield, Anti-Glare 2	327116**	Panel 23	329018	Bubble Assembly 1,20
321564**	Panel 7	327369	Deflector, Tape 21	329025	Plate, Latch 20
321568	Bracket, Switch 9	327370	Bracket 21	333192**	Hub 22
321584**	Modification Kit 1,22	327371	Shaft 21	333193**	Shelf 22
321585**	Modification Kit 1,22	327591**	Faceplate 20	333196**	Shelf 22
321586**	Modification Kit 1,22	327607	Bracket, Switch 8	333197**	Shelf 22
323106**	Panel 23	327608**	Panel w/Studs 8	333205**	Plate 22
323419	Bin Assembly, Tape 21	328180**	Cover 19	333206	Bracket 22
323420	Frame 21	328181**	Bracket 19	334652	Insulator, Switch 8
323421	Plate 21	328183**	Panel w/Studs 6,8	334888	Screw, 8-32 x 3/16 Spl 24
323422**	Container, Chad 21	328189**	Faceplate 20	336459	Plate 25
323423**	Plate 21	328303**	Panel 7	336474**	Modification Kit 1,24,25
323424**	Bin Assembly, Tape Storage 1,21	328304	Bracket, Switch 9	336494	Screw, 8-32 x 7/16 Spl 25
323425	Window 21	328743	Switch, Lever 9	336495	Plate 24
324085**	Panel 23	328777	Switch, Rotary 9	336496	Insulator 24
				336497	Cable Assembly 24
				336498	Cable w/Terminals 24

\*\*Refer to page 1 for finish suffix