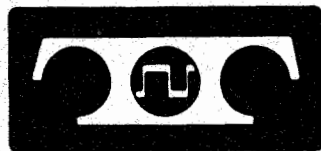


**BULLETIN 1184B**

**33 PAGE PRINTER SET**

**(ASR, KSR AND RO)**

**PARTS**



**TELETYPE<sup>®</sup>**  
**CORPORATION**

**5555 TOUHY AVENUE, SKOKIE, ILLINOIS**



TABLE OF CONTENTS

| <u>SECTION</u> | <u>TITLE</u>               | <u>ISSUE</u> | <u>DATE</u>     |
|----------------|----------------------------|--------------|-----------------|
| 574-121-800TC  | 33 Keyboard (UK)           | *4           | September, 1968 |
| 574-122-800TC  | 33 Typing Unit (UP)        | 4            | September, 1967 |
| 574-123-800TC  | 33 Call Control Unit (UCC) | 4            | September, 1967 |
| 574-124-800TC  | 33 Reader (UX)             | 3            | September, 1967 |
| 574-125-800TC  | 33 Tape Punch (UPE)        | 3            | September, 1967 |
| 574-126-800TC  | 33 Cover and Table         | 3            | September, 1967 |

NOTE:

\*Indicates revised section

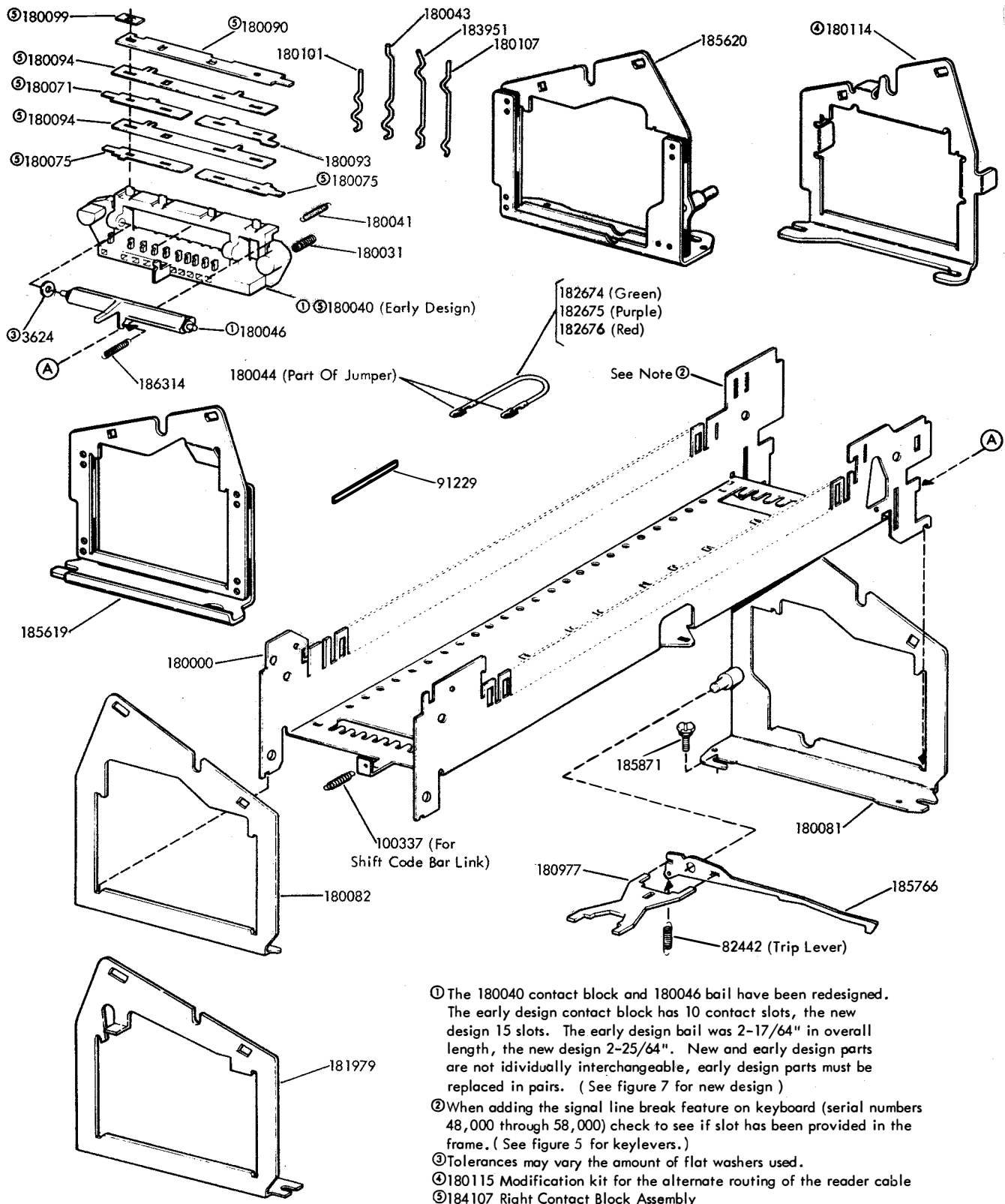


33 KEYBOARDS (UK)

PARTS

| FIGURE | CONTENTS  | PAGE |
|--------|---|------|
| 1      | Keyboard Basket and Contact Block                               | 2    |
| 2      | 185801 Modification Kit to Provide Locking for Keyboard         | 3    |
| 3      | Keyboard Covers   | 4    |
| 4      | Keytops   | 5    |
| 5      | Keylevers   | 6    |
| 6      | Code Bar Mechanism  | 7    |
| 7      | Code Bar Mechanism for Units Equipped with Even Parity          | 8    |
| 8      | Code Bar Mechanism for Numerical Keyboard                       | 9    |
| 9      | Reset Mechanism for Self-Contained and Solenoid Reset Keyboards | 10   |
| 10     | Reset Mechanism for Even Parity Keyboard                        | 11   |
| 11     | Cover for Self-Contained and Solenoid Reset Keyboards           | 12   |
|        | Numerical Index   |      |

| PAINT FINISH COLOR CODE CHART   |                 |               |                |                |                     |                 |               |                |              |    |
|---|-----------------|---------------|----------------|----------------|---------------------|-----------------|---------------|----------------|--------------|----|
| (for parts and assemblies requiring a paint finish)   |                 |               |                |                |                     |                 |               |                |              |    |
| Color   | Finish Suffixes |               |                |                | Color               | Finish Suffixes |               |                |              |    |
|   | Wrinkle Finish  | Smooth Finish | Textured Vinyl | Smooth Vinyl   |                     | Wrinkle Finish  | Smooth Finish | Textured Vinyl | Smooth Vinyl |    |
| Beige   | AA              | ET            |                |                | Gray, Federal       | AB              | BV            | GG             |              |    |
| Beige, Light  |                 | EL            |                | HC             | Gray, Green         |                 | BK            | GA             |              |    |
| Beige, Rose   |                 | ER            |                |                | Gray, Light         |                 | EJ            |                | HB           |    |
| Black   |                 |               |                |                | Gray, Covert        |                 |               |                | HE           |    |
| Black, High Gloss   |                 |               | BA             |                | Gray, Olive         |                 | EW            | GE             | HF           |    |
| Black, Semi Gloss   |                 |               | BB             |                | Gray, Maritime Deck |                 | AJ            | BJ             |              |    |
| Blue, Aqua  |                 |               | EK             |                | Gray, Oxford        |                 |               | EP             |              |    |
| Blue, Brussels Light  |                 |               | EC             |                | Green, Gray         |                 | AB            | BK             | GA           |    |
| Blue, Medium  |                 |               | ES             |                | Green, Moss         |                 |               | EN             |              | HD |
| Brown, Dark   |                 | AD            |                |                | Ivory               |                 |               | EM             |              |    |
| Brown, Light  | AC              |               |                | Pink, Rose     |                     | EU              |               |                |              |    |
| Fawn  |                 |               |                | Turquoise      |                     | EV              |               |                |              |    |
| Gray, Beige   |                 |               | GC             | White          |                     | EH              |               |                |              |    |
| Gray, Charcoal  | AL              | BZ            | GF             | Yellow, Pastel |                     | EG              |               |                |              |    |
| Gray, Dark  |                 |               | GB             |                |                     |                 |               |                |              |    |
| The double asterisk (**) denotes a painted part. Suffix to be applied following the part number.<br>Number in parentheses indicates Bell System code. |                 |               |                |                |                     |                 |               |                |              |    |



- ① The 180040 contact block and 180046 bail have been redesigned. The early design contact block has 10 contact slots, the new design 15 slots. The early design bail was 2-17/64" in overall length, the new design 2-25/64". New and early design parts are not individually interchangeable, early design parts must be replaced in pairs. ( See figure 7 for new design )
- ② When adding the signal line break feature on keyboard (serial numbers 48,000 through 58,000) check to see if slot has been provided in the frame. ( See figure 5 for keylevers. )
- ③ Tolerances may vary the amount of flat washers used.
- ④ 180115 Modification kit for the alternate routing of the reader cable
- ⑤ 184107 Right Contact Block Assembly

FIGURE 1. KEYBOARD BASKET AND CONTACT BLOCK

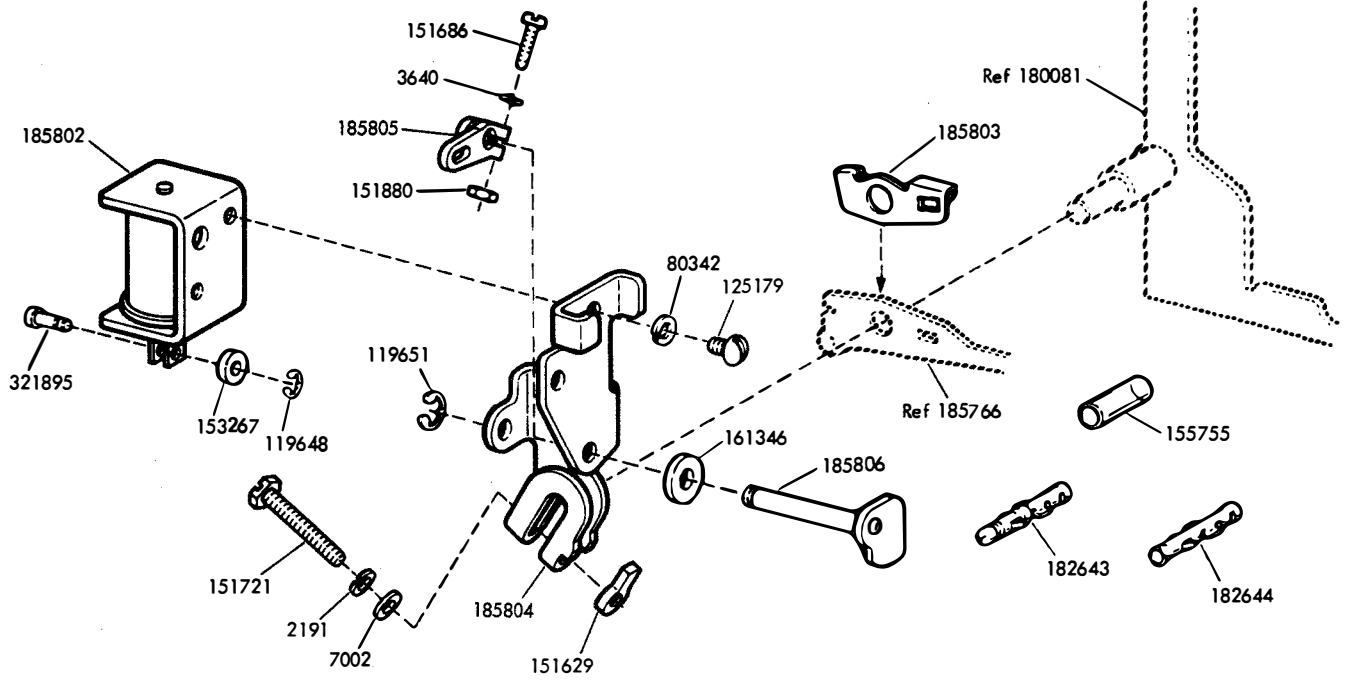


FIGURE 2. 185801 MODIFICATION KIT TO PROVIDE LOCKING FOR KEYBOARD

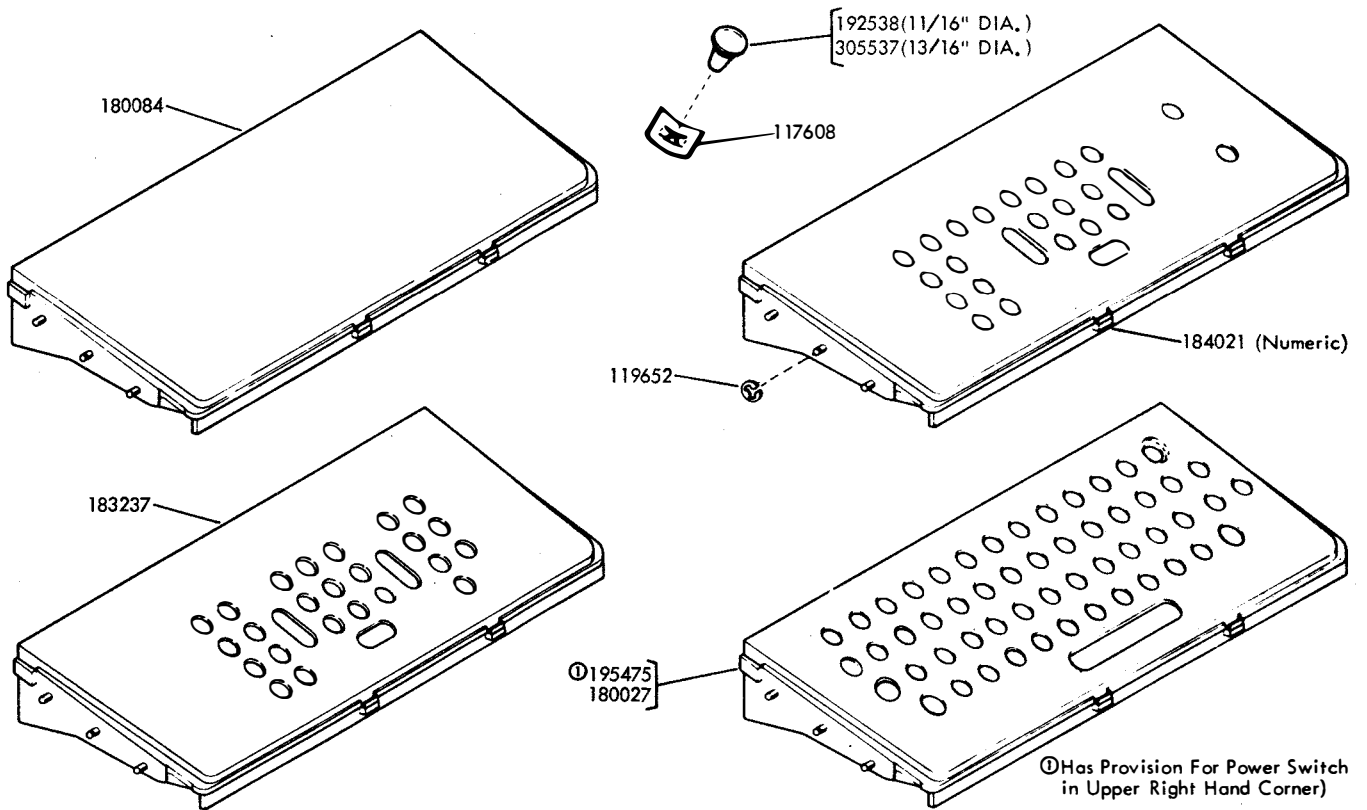
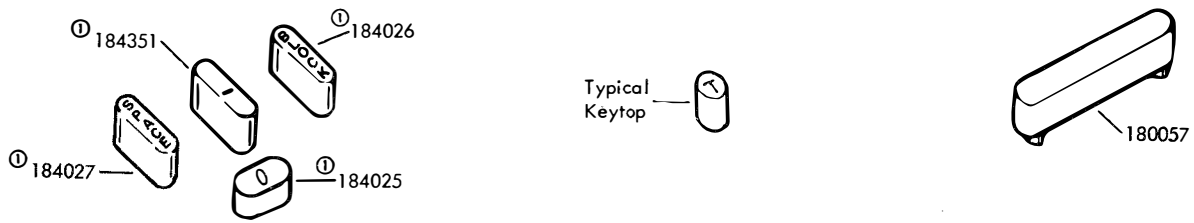


FIGURE 3. KEYBOARD COVERS



| Keytop Description |       |             | Keytop Description |                 |             | Keytop Description |       |             |
|--------------------|-------|-------------|--------------------|-----------------|-------------|--------------------|-------|-------------|
| UNSHIFT            | SHIFT | Part Number | UNSHIFT            | SHIFT           | Part Number | UNSHIFT            | SHIFT | Part Number |
| A                  |       | 180181      | P                  | @               | 180180      | 8                  |       | ①184341     |
| A                  | SOM   | *183891     |                    |                 |             | 9                  | )     | 180168      |
| A                  |       | ①184343     | Q                  | X ON            | *183888     | 9                  |       | ①184342     |
| B                  |       | 180194      | Q                  | X-ON            | 184869      |                    |       |             |
| B                  |       | ①184344     | Q                  | RLF             | 185160      | 0                  |       | 180169      |
| C                  |       | 180192      | R                  | TAPE            | 180174      | ∅                  |       | 180374      |
| C                  |       | ①184345     | R                  |                 | 180260      | -                  | =     | 180170      |
| C                  | ETX   | 185165      | R                  | FS              | 185161      | .                  | <     | 180197      |
| D                  | EOT   | 180183      | S                  |                 | 180282      | .                  | >     | 180198      |
| D                  |       | 180278      | S                  | X OFF           | 180182      | ;                  | +     | 180199      |
| D                  |       | ①184346     | S                  | X OFF           | *183892     | /                  | ?     | 180200      |
| E                  | WRU   | 180173      | T                  | <del>TAPE</del> | 180175      | :                  | *     | 180205      |
| E                  |       | 180259      | T                  |                 | 180261      |                    | *     | 180299      |
| E                  | WRU   | *183889     | T                  | PR              | 185162      |                    | .     | 180336      |
| F                  | RU    | 180184      | U                  |                 | 180177      |                    | .     | 180335      |
| F                  |       | 180273      | V                  |                 |             | /                  | ■     | 180418      |
| G                  | BELL  | 180185      |                    |                 | 180193      |                    |       | 180419      |
| G                  |       | 180274      | W                  |                 | 180172      |                    |       | 184895      |
| G                  | BELL  | *183890     | X                  |                 | 180191      |                    |       | RUB OUT     |
| H                  |       | 180186      | Y                  |                 | 180176      |                    |       | RETURN      |
| H                  | BS    | 185163      | Z                  |                 | 180190      |                    |       | 180202      |
| I                  | TAB   | 180178      |                    |                 |             |                    |       | 180203      |
| I                  |       | 180262      | 1                  | !               | 180160      |                    |       | 180206      |
| J                  |       | 180187      | 1                  |                 | ①184334     |                    |       | 180207      |
| K                  | VT    | 180188      | 1                  |                 | 180264      |                    |       | 180208      |
| K                  |       | 180280      | 2                  | "               | ①180161     |                    |       | 180208      |
| K                  | □     | 180383      | 2                  |                 | ①184335     |                    |       | 180208      |
| K                  | I     | 185090      | 3                  | #               | 180162      |                    |       | 180208      |
| L                  | FORM  | *180189     | 3                  |                 | ①184336     |                    |       | 180208      |
| L                  |       | 180281      | 4                  | \$              | ①180163     |                    |       | 180208      |
| L                  | ∖     | 180385      | 4                  |                 | ①184337     |                    |       | 180208      |
| L                  | FORM  | 185164      | 4                  |                 |             |                    |       | 180208      |
| M                  |       | 180196      | 5                  | %               | ①180164     |                    |       | 180208      |
| M                  | □     | 180384      | 5                  |                 | ①184338     |                    |       | 180208      |
| M                  | I     | 185093      | 6                  | &               | 180165      |                    |       | 180208      |
| N                  | ↑     | 180195      | 6                  |                 | ①184339     |                    |       | 180208      |
| N                  | BLK   | 185092      | 7                  | '               | 180166      |                    |       | 180208      |
| N                  | ∧     | 185150      | 7                  |                 | ①184340     |                    |       | 180208      |
| O                  | ←     | 180179      | 8                  | (               | 180167      |                    |       | 180208      |
| O                  | └     | 185089      |                    |                 |             |                    |       | 180208      |

NOTE:  
 All Keytops are gray with white characters except as noted.  
 \*Gray Keytops with yellow characters.  
 ① Used on Numeric Keyboard.  
 ② Used with parity control.

FIGURE 4. KEYTOPS



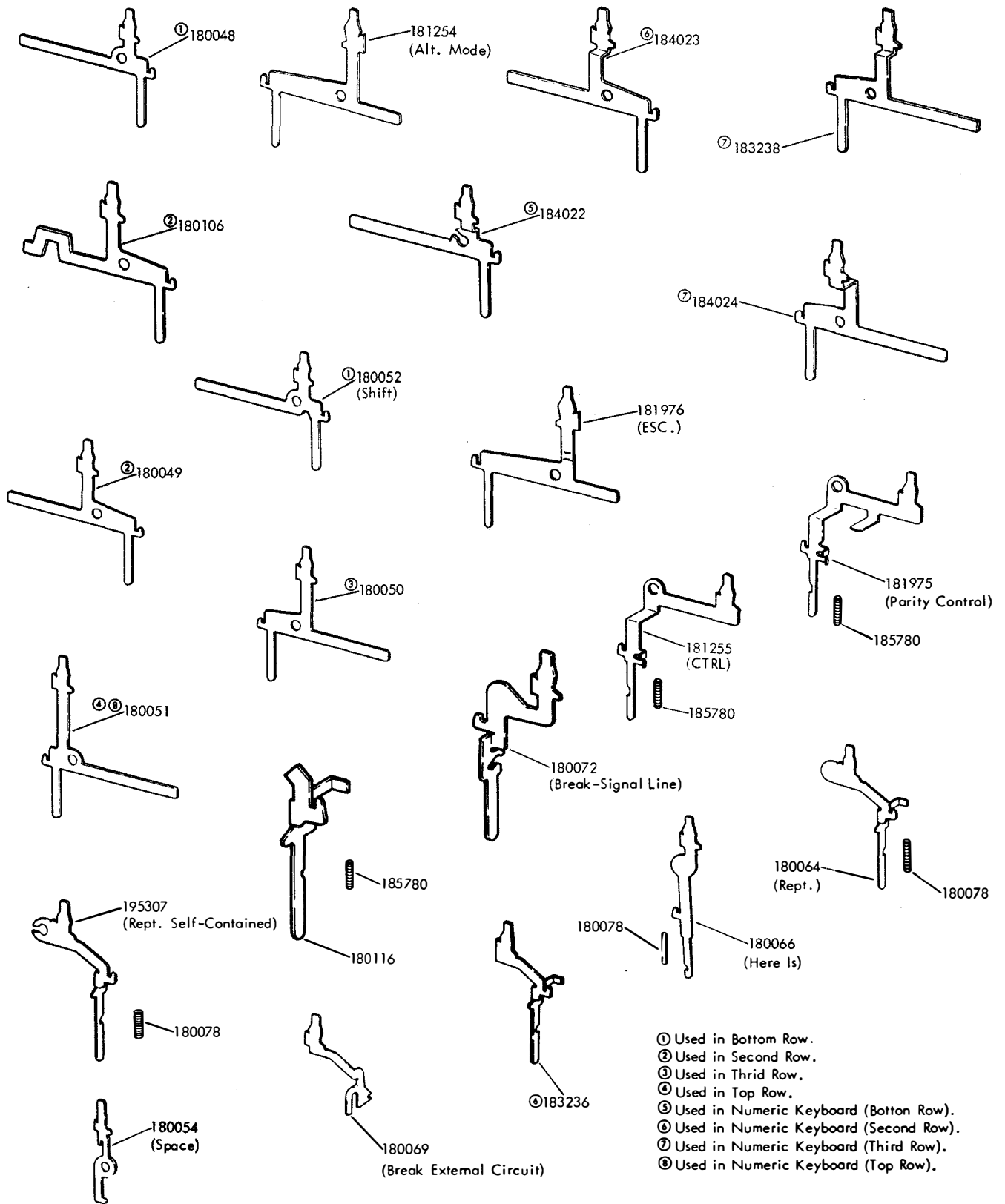


FIGURE 5. KEYLEVERS

SECTION 574-121-800TC

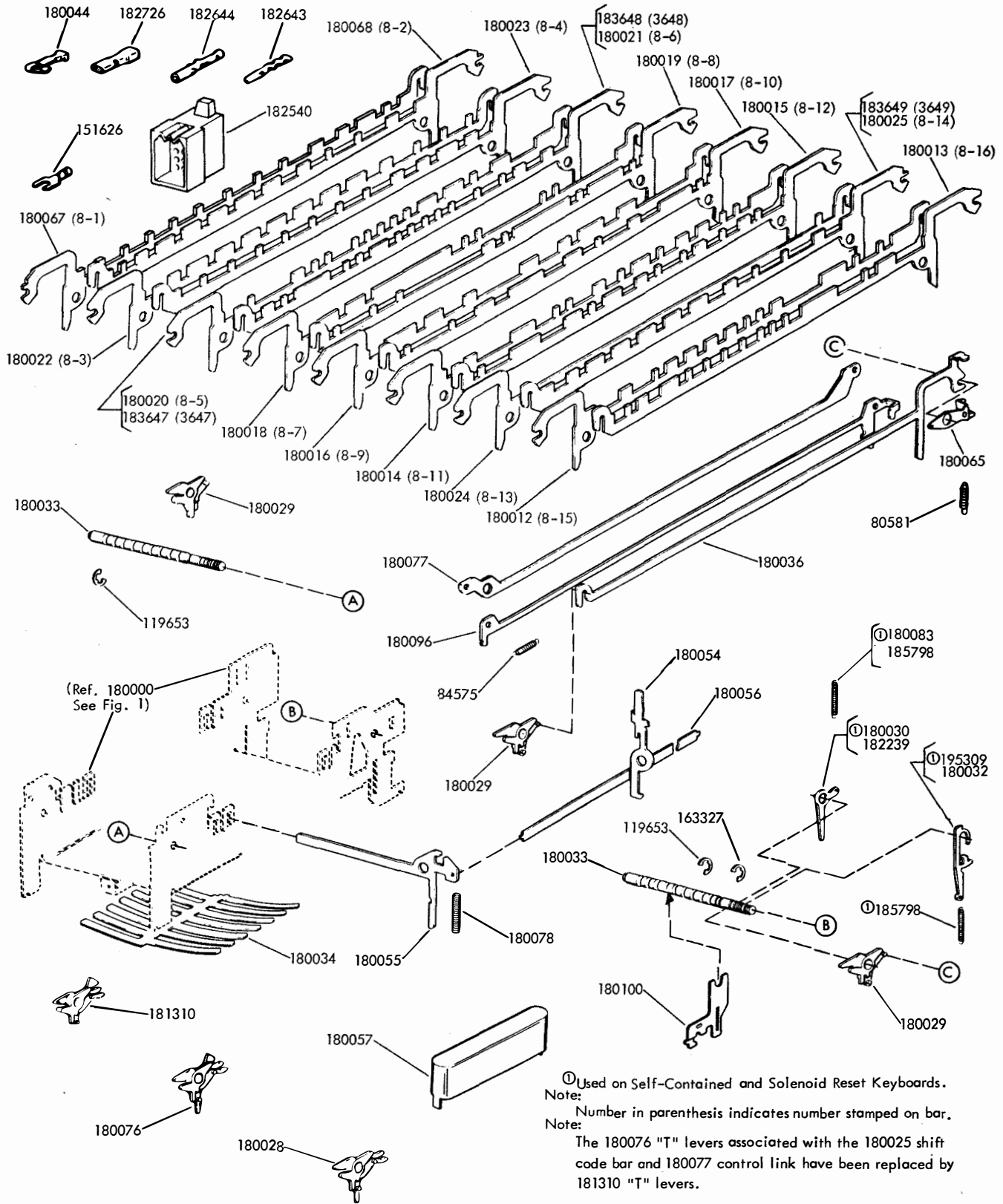


FIGURE 6. CODE BAR MECHANISM

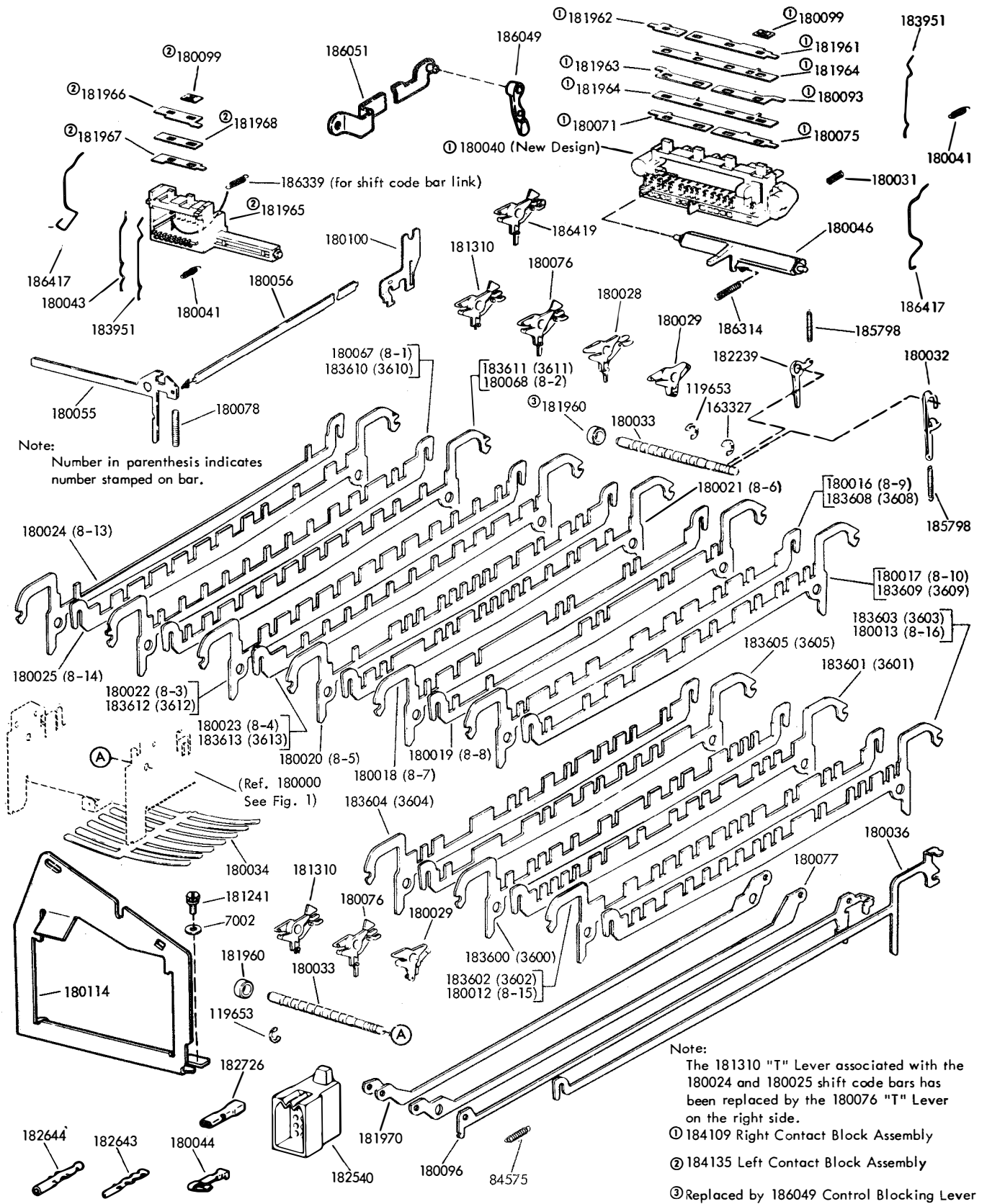


FIGURE 7. CODE BAR MECHANISM FOR UNITS EQUIPPED WITH EVEN PARITY

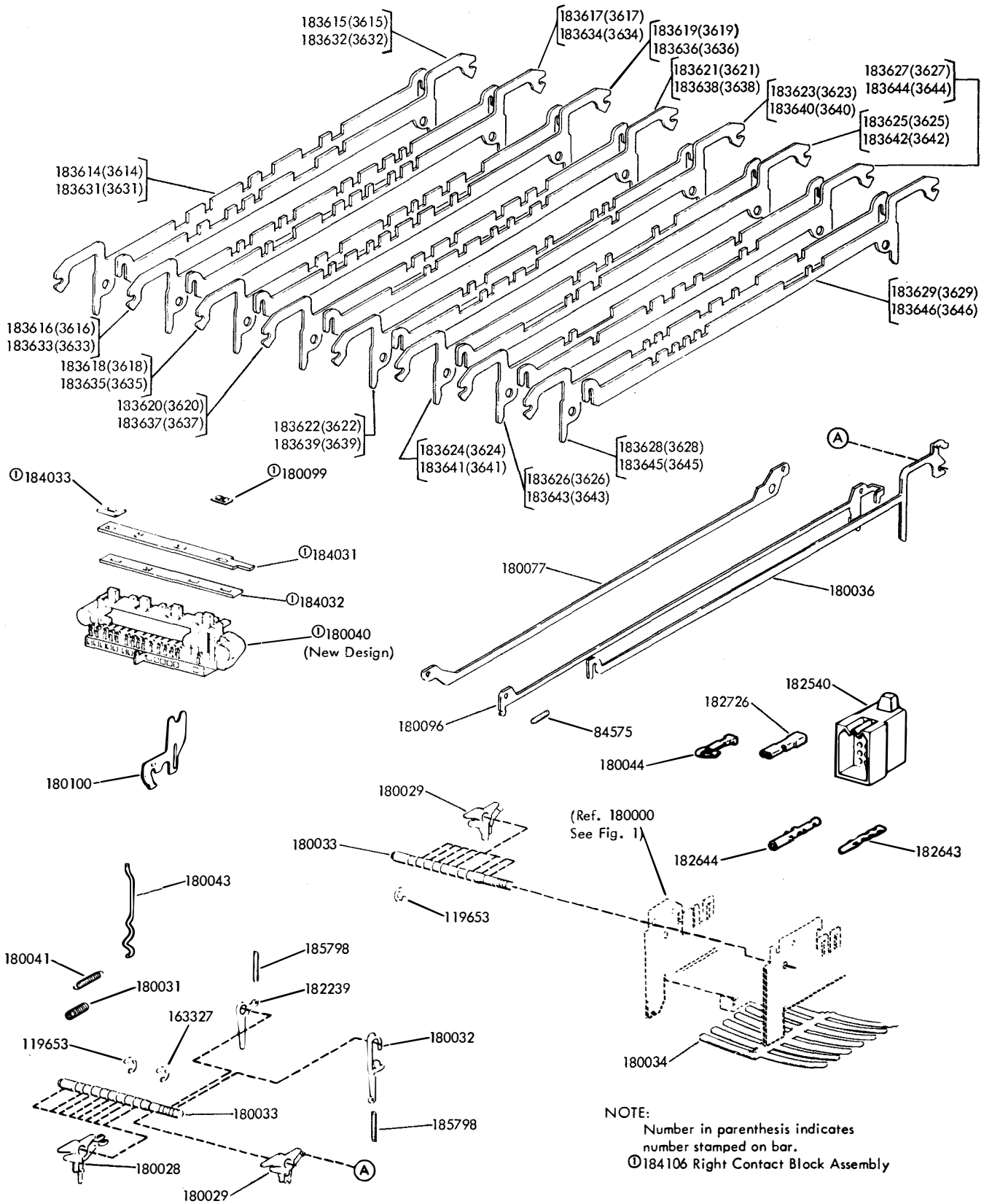


FIGURE 8. CODE BAR MECHANISM FOR NUMERIC KEYBOARD

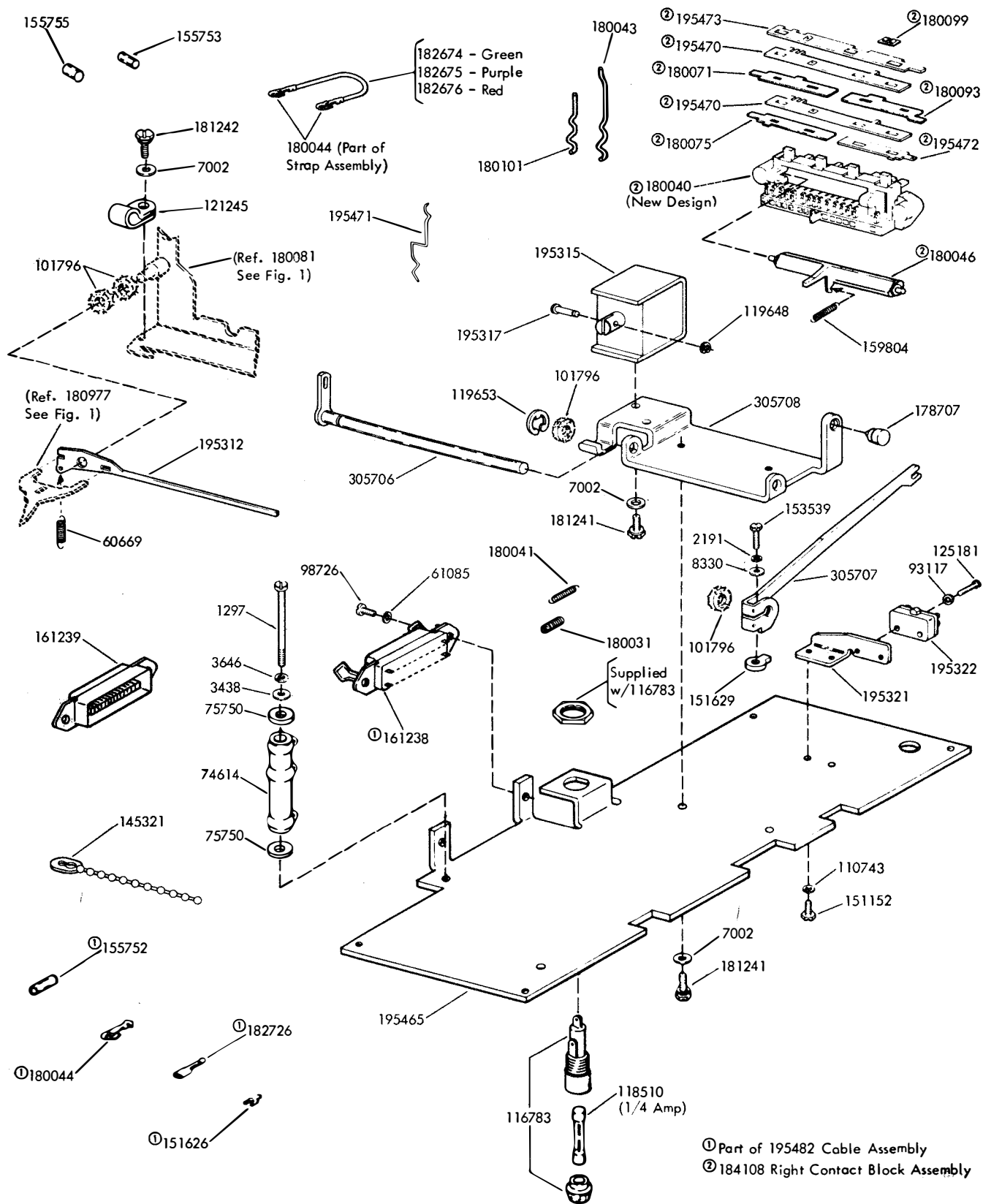


FIGURE 9. RESET MECHANISM FOR SELF-CONTAINED AND SOLENOID RESET KEYBOARDS

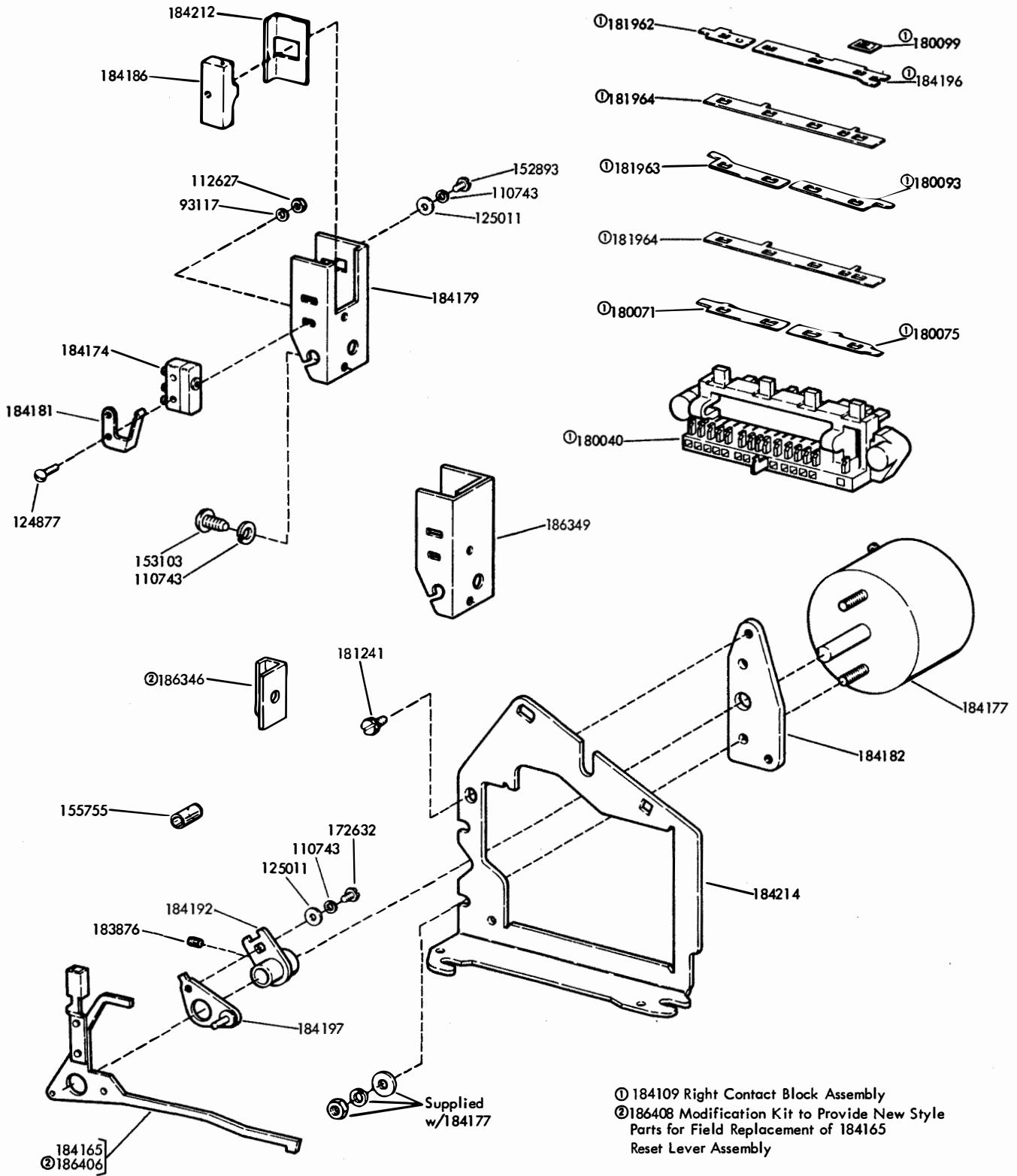
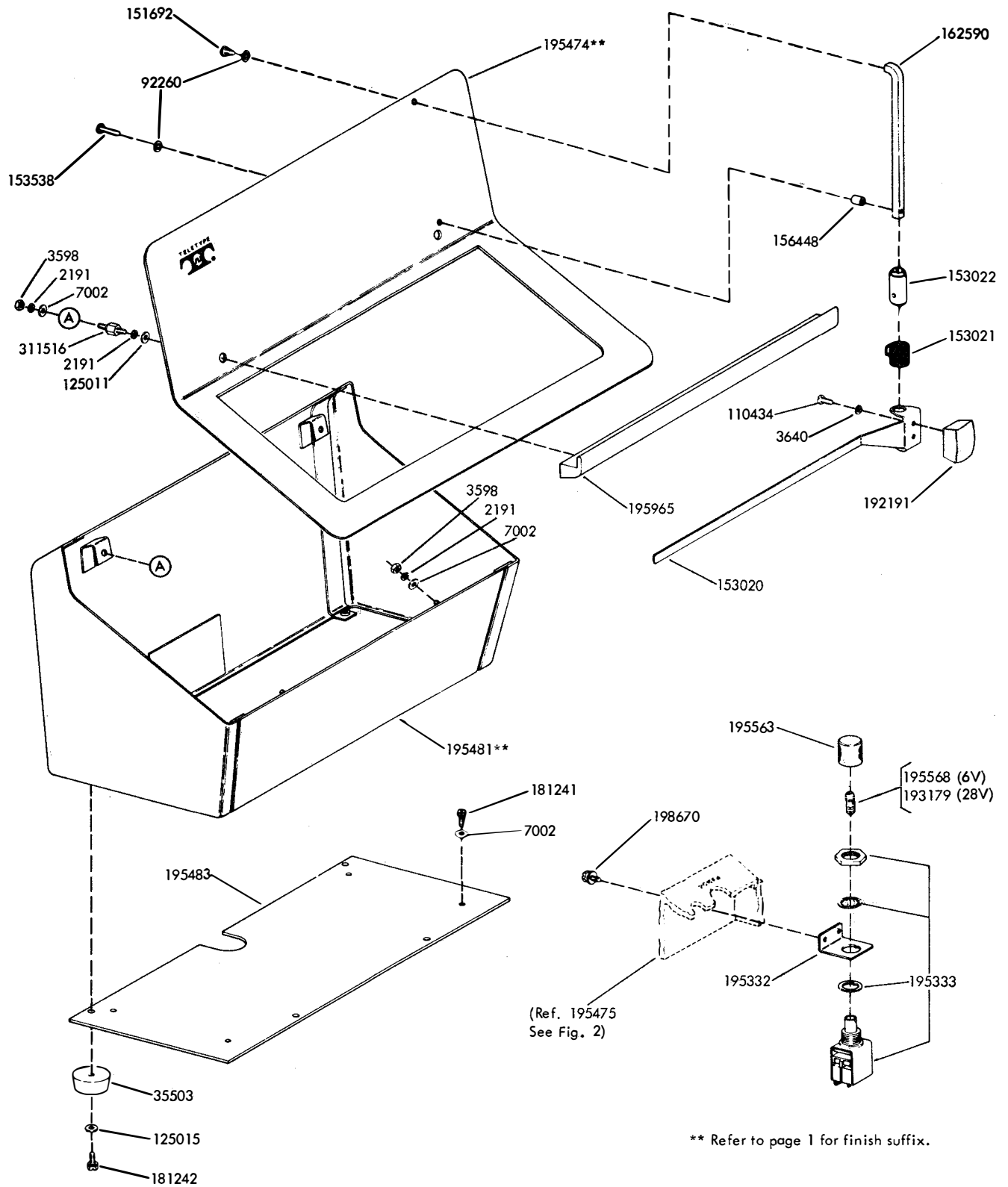


FIGURE 10. RESET MECHANISM FOR EVEN PARITY KEYBOARD



\*\* Refer to page 1 for finish suffix.

FIGURE 11. COVER FOR SELF-CONTAINED AND SOLENOID RESET KEYBOARDS

## NUMERICAL INDEX

| Part Number | Description and Page Number                 | Part Number | Description and Page Number   | Part Number | Description and Page Number |
|-------------|---|-------------|-------------------------------|-------------|-----------------------------|
| 1297        | Screw, 6-40 x 2-7/16 Fil 9                  | 162590      | Shaft 11                      | 180114      | Bracket, Left Keyboard 2,7  |
| 2191        | Washer, Lock 3,9,11                         | 163327      | Ring, Retaining 6,7,8         | 180115      | Modification Kit 2          |
| 3438        | Washer, Flat 9                              | 172632      | Screw, 4-40 x 3/16 Hex 10     | 180116      | Keylever 5                  |
| 3598        | Nut, 6-40 Hex 11                            | 178707      | Bumper, Rubber 9              | 180160      | Keypop 4                    |
| 3624        | Washer, Flat 2                              | 180000      | Frame, Keyboard 2,6,7,8       | 180161      | Keypop 4                    |
| 3640        | Washer, Lock 3,11                           | 180012      | Bar, #1 Rear Code 6,7         | 180162      | Keypop 4                    |
| 3646        | Washer, Lock 9                              | 180013      | Bar, #1 Front Code 6,7        | 180163      | Keypop 4                    |
| 7002        | Washer, Flat 3,7,9,11                       | 180014      | Bar, #2 Rear Code 6           | 180164      | Keypop 4                    |
| 8330        | Washer, Flat 9                              | 180015      | Bar, #2 Front Code 6          | 180165      | Keypop 4                    |
| 35503       | Foot, Rubber 11                             | 180016      | Bar, #3 Rear Code 6,7         | 180166      | Keypop 4                    |
| 60669       | Spring 9                                    | 180017      | Bar, #3 Front Code 6,7        | 180167      | Keypop 4                    |
| 61085       | Washer, Lock 9                              | 180018      | Bar, #4 Rear Code 6,7         | 180168      | Keypop 4                    |
| 74614       | Resistor, 2,600 Ohm 9                       | 180019      | Bar, #4 Front Code 6,7        | 180169      | Keypop 4                    |
| 75750       | Washer, Insulating 9                        | 180020      | Bar, #5 Rear Code 6,7         | 180170      | Keypop 4                    |
| 80342       | Screw, 6-40 x 23/64 Hex 3                   | 180021      | Bar, #5 Front Code 6,7        | 180172      | Keypop 4                    |
| 80581       | Spring 6                                    | 180022      | Bar, #6 Rear Code 6,7         | 180173      | Keypop 4                    |
| 82442       | Spring 2                                    | 180023      | Bar, #5 Front Code 6,7        | 180174      | Keypop 4                    |
| 84575       | Spring 6,7,8                                | 180024      | Bar, #5 Rear Code 6,7         | 180175      | Keypop 4                    |
| 91229       | Strap, 2" Braided 2                         | 180025      | Bar, #5 Front Code 6,7        | 180176      | Keypop 4                    |
| 92260       | Washer, Lock 11                             | 180027      | Cover, Keyboard 3             | 180177      | Keypop 4                    |
| 93117       | Washer, Lock 9,10                           | 180028      | Lever 6,7,8                   | 180178      | Keypop 4                    |
| 98726       | Screw, 3-48 x 1/4 Fil 9                     | 180029      | Lever 6,7,8                   | 180179      | Keypop 4                    |
| 100337      | Spring 2                                    | 180030      | Lever, Latch 6                | 180180      | Keypop 4                    |
| 101796      | Washer, Felt 9                              | 180031      | Spring, Compression 2,7,8,9   | 180181      | Keypop 4                    |
| 110434      | Screw, 4-40 x 3/16 Fil 11                   | 180032      | Lever, Non-Repeat 6,7,8       | 180182      | Keypop 4                    |
| 110743      | Washer, Lock 9,10                           | 180033      | Shaft 6,7,8                   | 180183      | Keypop 4                    |
| 112627      | Nut, 2-56 Hex 10                            | 180034      | Spring, Flat 6,7,8            | 180184      | Keypop 4                    |
| 116783      | Holder, Fuse 9                              | 180036      | Bar, Universal Code 6,7,8     | 180185      | Keypop 4                    |
| 117608      | Nut, Speed 3                                | 180040      | Block, Contact 2,7,8,9,10     | 180186      | Keypop 4                    |
| 118510      | Fuse, 1/4 Amp 9                             | 180041      | Spring 2,7,8,9                | 180187      | Keypop 4                    |
| 119648      | Ring, Retaining 3,9                         | 180043      | Wire, Contact 2,7,8,9         | 180188      | Keypop 4                    |
| 119651      | Ring, Retaining 3                           | 180044      | Terminal, Tab Type 2,6,7,8,9  | 180189      | Keypop 4                    |
| 119652      | Ring, Retaining 3                           | 180046      | Bail, Contact Reset 2,7,9     | 180190      | Keypop 4                    |
| 119653      | Ring, Retaining 6,7,8,9                     | 180048      | Keylever 5                    | 180191      | Keypop 4                    |
| 121245      | Clamp, 5/16ID Cable 9                       | 180049      | Keylever 5                    | 180192      | Keypop 4                    |
| 124877      | Screw, 2-56 x 1/2 Rd 10                     | 180050      | Keylever 5                    | 180193      | Keypop 4                    |
| 125011      | Washer, Flat 10,11                          | 180051      | Keylever 5                    | 180194      | Keypop 4                    |
| 125015      | Washer, Flat 11                             | 180052      | Keylever, Shift 5             | 180195      | Keypop 4                    |
| 125179      | Screw, 6-32 x 3/16 Rd 3                     | 180054      | Keylever, Space Bar 5,6       | 180196      | Keypop 4                    |
| 125181      | Screw, 2-56 x 3/8 Fil 9                     | 180055      | Keylever, Space 6,7           | 180197      | Keypop 4                    |
| 145321      | Tie, Cable 9                                | 180056      | Link, Space 6,7               | 180198      | Keypop 4                    |
| 151152      | Screw, 4-40 x 3/16 Hex 9                    | 180057      | Bar, Space 4,6                | 180199      | Keypop 4                    |
| 151626      | Terminal 6,9                                | 180061      | Keypop 4                      | 180200      | Keypop 4                    |
| 151629      | Nut, 6-40 Lug 3,9                           | 180064      | Keylever, Repeat 5            | 180201      | Keypop 4                    |
| 151686      | Screw, 6-40 x 3/8 Fil 3                     | 180065      | Lever, Line Break 6           | 180202      | Keypop 4                    |
| 151692      | Screw, 6-40 x 3/16 Fil 11                   | 180066      | Keylever 5                    | 180203      | Keypop 4                    |
| 151721      | Screw, 6-40 x 3/4 Hex 3                     | 180067      | Bar, #7 Rear Code 6,7         | 180205      | Keypop 4                    |
| 151880      | Nut, 4-40 Hex 3                             | 180068      | Bar, #7 Front Code 6,7        | 180206      | Keypop 4                    |
| 152893      | Screw, 4040 x 1/4 Hex 10                    | 180069      | Keylever, Line Break 5        | 180207      | Keypop 4                    |
| 153020      | Guide, Line 11                              | 180071      | Terminal 2,7,9,10             | 180208      | Keypop 4                    |
| 153021      | Spring, Torsion 11                          | 180072      | Keylever, Line Break 5        | 180257      | Keypop 4                    |
| 153022      | Bushing 11                                  | 180075      | Terminal, Line Break 2,7,9,10 | 180259      | Keypop 4                    |
| 153103      | Screw, 4-40 Self-Tapping 10                 | 180076      | Lever, #5 Pulse 6,7           | 180260      | Keypop 4                    |
| 153267      | Washer, Felt 3                              | 180077      | Link 6,7,8                    | 180261      | Keypop 4                    |
| 153538      | Screw, 6-40 x 7/16 Hex 11                   | 180078      | Spring, Compression 5,6,7     | 180262      | Keypop 4                    |
| 153539      | Screw, 6-40 x 11/16 Hex 9                   | 180081      | Bracket, Right Keyboard 2,3,9 | 180264      | Keypop 4                    |
| 155752      | Sleeve, 5/64 ID x 1/2 Lg Insulating 9       | 180082      | Bracket, Left Keyboard 2      | 180273      | Keypop 4                    |
| 155753      | Sleeve, 1/8 ID x 1/2 Lg Insulating 9        | 180083      | Spring 6                      | 180274      | Keypop 4                    |
| 155755      | Sleeve, 11/64 ID x 5/8 Lg Insulating 3,9,10 | 180084      | Cover, Keyboard 3             | 180278      | Keypop 4                    |
| 156448      | Bushing 11                                  | 180090      | Terminal, Common 2            | 180280      | Keypop 4                    |
| 159804      | Spring 9                                    | 180093      | Terminal 2,7,9,10             | 180281      | Keypop 4                    |
| 161238      | Connector, 36 Pt Receptacle 9               | 180094      | Insulator 2                   | 180282      | Keypop 4                    |
| 161239      | Connector, 36 Pt Plug 9                     | 180096      | Link 6,7,8                    | 180299      | Keypop 4                    |
| 161346      | Washer, Felt 3                              | 180099      | Fastener 2,7,8,9,10           | 180335      | Keypop 4                    |
|             |   | 180100      | Guide 6,7,8                   | 180336      | Keypop 4                    |
|             |   | 180101      | Wire, Contact 2,9             | 180373      | Keypop 4                    |
|             |   | 180106      | Keylever 5                    | 180374      | Keypop 4                    |
|             |   | 180107      | Detent 2                      |             |                             |



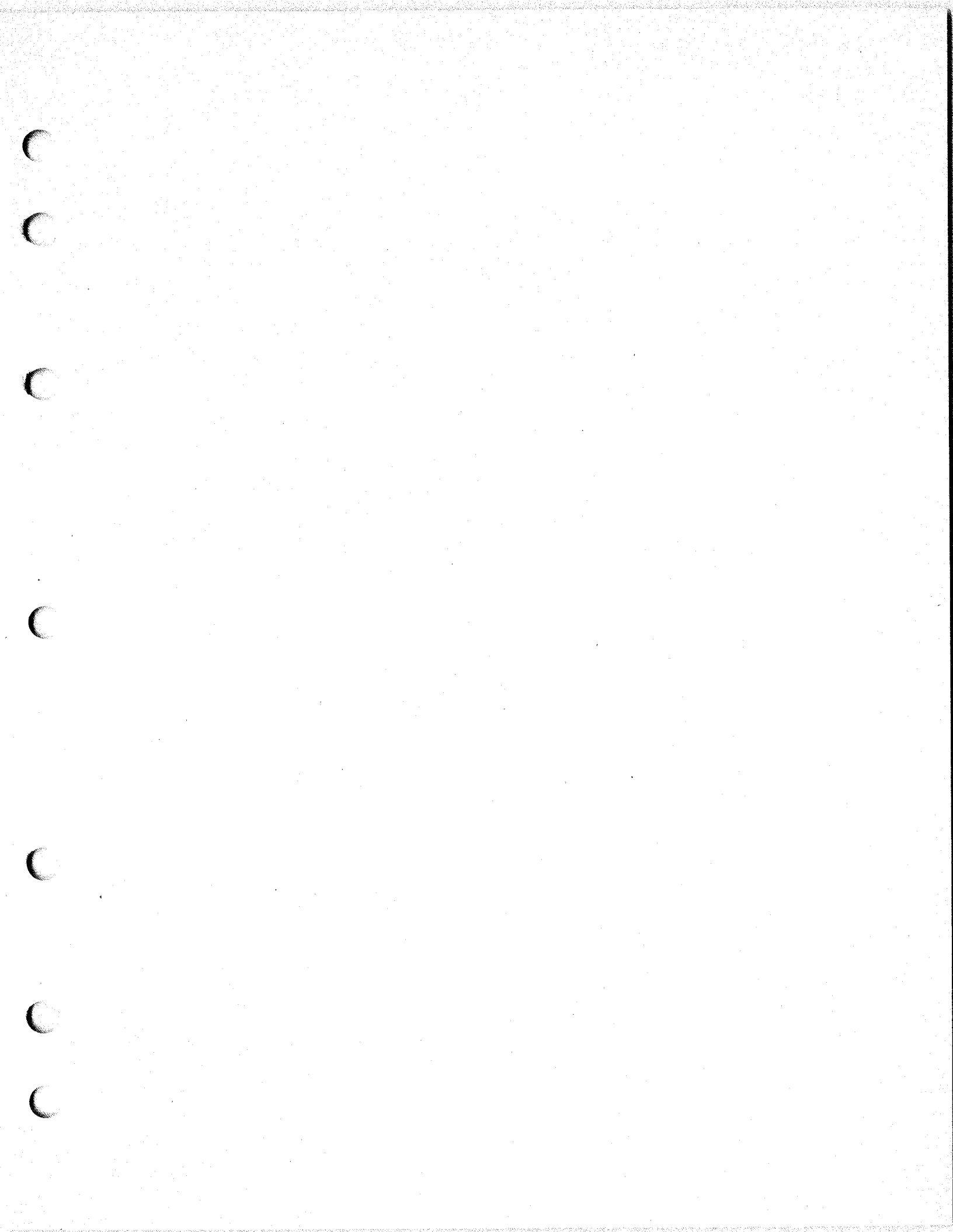
## NUMERICAL INDEX (Continued)

| Part Number | Description and Page Number                     | Part Number | Description and Page Number        | Part Number | Description and Page Number             |
|-------------|---|-------------|------------------------------------|-------------|---|
| 180382      | Keytop 4  | 183620      | Bar, Code 8                        | 184338      | Keytop 4                                |
| 180383      | Keytop 4  | 183621      | Bar, Code 8                        | 184339      | Keytop 4                                |
| 180384      | Keytop 4  | 183622      | Bar, Code 8                        | 184340      | Keytop 4                                |
| 180385      | Keytop 4  | 183623      | Bar, Code 8                        | 184341      | Keytop 4                                |
| 180418      | Keytop 4  | 183624      | Bar, Code 8                        | 184342      | Keytop 4                                |
| 180419      | Keytop 4  | 183625      | Bar, Code 8                        | 184343      | Keytop 4                                |
| 180440      | Keytop 4  | 183626      | Bar, Code 8                        | 184344      | Keytop 4                                |
| 180441      | Keytop 4  | 183627      | Bar, Code 8                        | 184345      | Keytop 4                                |
| 180442      | Keytop 4  | 183628      | Bar, Code 8                        | 184346      | Keytop 4                                |
| 180443      | Keytop 4  | 183629      | Bar, Code 8                        | 184351      | Keytop 4                                |
| 180444      | Keytop 4  | 183631      | Bar, Code 8                        | 184734      | Keytop 4                                |
| 180977      | Plate W/Stud 2,9                                | 183632      | Bar, Code 8                        | 184815      | Keytop 4                                |
| 181241      | Screw w/Lockwasher, 6-40 x 1/4<br>Hex 7,9,10,11 | 183633      | Bar, Code 8                        | 184816      | Keytop 4                                |
| 181242      | Screw w/Lockwasher, 6-40 x 5/16<br>Hex 9,11     | 183634      | Bar, Code 8                        | 184817      | Keytop 4                                |
| 181253      | Keytop 4  | 183635      | Bar, Code 8                        | 184818      | Keytop 4                                |
| 181254      | Keylever 5                                      | 183636      | Bar, Code 8                        | 184869      | Keytop 4                                |
| 181255      | Keylever 5                                      | 183637      | Bar, Code 8                        | 184895      | Keytop 4                                |
| 181310      | Lever 6,7                                       | 183638      | Bar, Code 8                        | 185089      | Keytop 4                                |
| 181960      | Spacer, .144" Thk 7                             | 183639      | Bar, Code 8                        | 185090      | Keytop 4                                |
| 181961      | Terminal 7                                      | 183640      | Bar, Code 8                        | 185092      | Keytop 4                                |
| 181962      | Terminal 7,10                                   | 183641      | Bar, Code 8                        | 185093      | Keytop 4                                |
| 181963      | Terminal, Parity 7,10                           | 183642      | Bar, Code 8                        | 185150      | Keytop 4                                |
| 181964      | Insulator 7,10                                  | 183643      | Bar, Code 8                        | 185159      | Keytop 4                                |
| 181965      | Block, Contact 7                                | 183644      | Bar, Code 8                        | 185160      | Keytop 4                                |
| 181966      | Terminal 7                                      | 183645      | Bar, Code 8                        | 185161      | Keytop 4                                |
| 181967      | Terminal 7                                      | 183646      | Bar, Code 8                        | 185162      | Keytop 4                                |
| 181968      | Insulator 7                                     | 183647      | Bar, Code 6                        | 185163      | Keytop 4                                |
| 181970      | Link W/Extension 7                              | 183648      | Bar, Code 6                        | 185164      | Keytop 4                                |
| 181971      | Keytop 4  | 183649      | Bar, Code 6                        | 185165      | Keytop 4                                |
| 181975      | Keylever 5                                      | 183876      | Screw, 6-32 Set 10                 | 185619      | Frame, Left Keyboard 2                  |
| 181976      | Keylever 5                                      | 183888      | Keytop 4                           | 185620      | Frame, Right Keyboard 2                 |
| 181979      | Bracket, Left Keyboard 2                        | 183889      | Keytop 4                           | 185766      | Lever 2,3                               |
| 182239      | Lever, Latch 6,7,8                              | 183890      | Keytop 4                           | 185780      | Spring, Compression 5                   |
| 182540      | Connector, 15 Pt Plug Type<br>6,7,8             | 183891      | Keytop 4                           | 185798      | Spring 6,7,8                            |
| 182643      | Terminal, Plug Type 3,6,7,8                     | 183892      | Keytop 4                           | 185801      | Modification Kit 1                      |
| 182644      | Terminal, Receptacle Type<br>3,6,7,8            | 183951      | Wire, Contact 2,7                  | 185802      | Solenoid 3                              |
| 182674      | Jumper, 2-1/4" Green 2,9                        | 184021      | Cover, Keyboard 3                  | 185803      | Clip 3                                  |
| 182675      | Jumper, 2-1/4" Purple 2,9                       | 184022      | Keylever 5                         | 185804      | Bracket 3                               |
| 182676      | Jumper, 2-1/4" Red 2,9                          | 184023      | Keylever 5                         | 185805      | Lever 3                                 |
| 182726      | Terminal, Receptacle Type 6,<br>7,8,9           | 184024      | Keylever 5                         | 185806      | Shaft 3                                 |
| 183236      | Keylever, Repeat 5                              | 184025      | Keytop 4                           | 185871      | Screw w/lockwasher, 8-32 x 3/8<br>Hex 2 |
| 183237      | Cover, Keyboard 3                               | 184026      | Keytop 4                           | 186049      | Lever 7                                 |
| 183238      | Keylever 5                                      | 184027      | Keytop 4                           | 186051      | Link 7                                  |
| 183600      | Bar, Code 7                                     | 184031      | Terminal 8                         | 186314      | Spring 2,7                              |
| 183601      | Bar, Code 7                                     | 184032      | Insulator, .031" Thk 8             | 186339      | Spring 7                                |
| 183602      | Bar, Code 7                                     | 184033      | Spacer, .035" Thk 8                | 186346      | Shield, Magnetic 10                     |
| 183603      | Bar, Code 7                                     | 184106      | Block Assembly, Right Contact 8    | 186349      | Bracket 10                              |
| 183604      | Bar, Code 7                                     | 184107      | Block Assembly, Right Contact 2    | 186406      | Lever, Reset 10                         |
| 183605      | Bar, Code 7                                     | 184108      | Block Assembly, Right Contact 9    | 186408      | Modification Kit 10                     |
| 183608      | Bar, Code 7                                     | 184109      | Block Assembly, Right Contact 7,10 | 186417      | Wire, Contact 7                         |
| 183609      | Bar, Code 7                                     | 184135      | Block Assembly, Left Contact 7     | 186419      | Lever 7                                 |
| 183610      | Bar, Code 7                                     | 184165      | Lever, Reset 10                    | 192191      | Knob 11                                 |
| 183611      | Bar, Code 7                                     | 184174      | Switch, SP-DT 10                   | 192538      | Plug, Button 3                          |
| 183612      | Bar, Code 7                                     | 184177      | Solenoid, Rotary 10                | 193179      | Lamp, 28V 11                            |
| 183613      | Bar, Code 7                                     | 184179      | Bracket 10                         | 195307      | Keylever, Repeat 5                      |
| 183614      | Bar, Code 8                                     | 184181      | Actuator 10                        | 195309      | Lever, Non-Repeat 6                     |
| 183615      | Bar, Code 8                                     | 184182      | Plate 10                           | 195312      | Lever, Reset 9                          |
| 183616      | Bar, Code 8                                     | 184186      | Switch, Reed 10                    | 195315      | Solenoid w/Plunger 9                    |
| 183617      | Bar, Code 8                                     | 184192      | Plate w/Hub 10                     | 195317      | Pin 9                                   |
| 183618      | Bar, Code 8                                     | 184196      | Terminal 10                        | 195321      | Bracket, Switch 9                       |
| 183619      | Bar, Code 8                                     | 184197      | Plate w/Stud 10                    | 195322      | Switch 9                                |
|             |   | 184212      | Guide 10                           | 195332      | Bracket, Power Switch 11                |
|             |   | 184214      | Bracket, Right 10                  | 195333      | Switch, Pushbutton 11                   |
|             |   | 184334      | Keytop 4                           | 195465      | Plate, Mounting 9                       |
|             |   | 184335      | Keytop 4                           | 195470      | Insulator, .031" Thk 9                  |
|             |   | 184336      | Keytop 4                           | 195471      | Wire, Contact 9                         |
|             |   | 184337      | Keytop 4                           |             |   |

## NUMERICAL INDEX (Continued)

| Part Number | Description and Page Number | Part Number | Description and Page Number | Part Number | Description and Page Number |
|-------------|-----------------------------|-------------|-----------------------------|-------------|-----------------------------|
| 195472      | Terminal 9                  | 195483      | Plate 11                    | 305537      | Plug, Button 3              |
| 195473      | Terminal, Common 9          | 195563      | Lens, Red                   | 305706      | Shaft w/Link 9              |
| 195474**    | Panel, Top 11               |             | Pushbutton 11               | 305707      | Arm, Reset 9                |
| 195475      | Cover, Keyboard 3,11        | 195568      | Lamp, 6V 11                 | 305708      | Bracket, Solenoid 9         |
| 195481**    | Cover 11                    | 195965      | Tray, Copyholder 11         | 311516      | Post 11                     |
| 195482      | Cable Assembly 9            | 198670      | Screw, 6-40 Self-Tapping 11 | 321895      | Post 3                      |

\*\*Refer to page 1 for finish suffix





33 TYPING UNIT (UP)

PARTS

| FIGURE | CONTENTS   | PAGE |
|--------|--|------|
| 1      | Platen Mechanism - Friction Feed   | 2    |
| 2      | Paper Handling Mechanism - Friction Feed   | 3    |
| 3      | Platen Mechanism - Sprocket Feed   | 4    |
| 4      | Platen Mechanism - Sprocket Feed (Continued)   | 5    |
| 5      | Ribbon Feed Mechanism  | 6    |
| 6      | Carriage Upper Plate Mechanism   | 7    |
| 7      | Carriage Lower Plate Mechanism   | 8    |
| 8      | Carriage Power Bail Mechanism  | 9    |
| 9      | Carriage Drive Bail Mechanism  | 10   |
| 10     | Main Shaft Mechanism - Friction Feed   | 11   |
| 11     | Main Shaft Mechanism - Sprocket Feed   | 12   |
| 12     | Clutch Trip Lever Mechanism  | 13   |
| 13     | Code Bar Basket Mechanism  | 14   |
| 14     | Function Box Mechanism   | 15   |
| 15     | Function Shaft Mechanism   | 16   |
| 16     | Selector Frame Mechanism   | 17   |
| 17     | Clutch and Camsleeve Mechanism   | 18   |
| 18     | Distributor Clutch Mechanism   | 19   |
| 19     | Trip Shaft Mechanism   | 20   |
| 20     | 182964 Drive Arm Assembly  | 21   |
| 21     | Clutch Trip Mechanism  | 21   |
| 22     | Answer-Back Drum Mechanism   | 22   |
| 23     | Answer-Back Trip Magnet Mechanism  | 22   |
| 24     | Line Feed Function Lever Mechanism   | 23   |
| 25     | Function Levers  | 24   |
| 26     | 185971 Modification Kit to Provide Printer With an End-of-Line Bell<br>to Ring on Approximately the 62nd Character | 25   |
| 27     | 185791 Modification Kit to Provide Controlled Single or Double<br>Line Feed Feature on Friction Feed Printer       | 25   |
| 28     | Typewheel Chart  | 26   |
| 29     | Typewheel Chart (Continued)  | 27   |
| 30     | Formout Mechanism - Sprocket Feed  | 28   |
| 31     | Later Design Formout Mechanism - Sprocket Feed   | 29   |
| 32     | Motor Contact - Sprocket Feed  | 29   |
| 33     | Solenoid Print - Nonprint Reset Mechanism  | 30   |
| 34     | Base   | 31   |
| 35     | Sub Bases  | 32   |
| 36     | Motors and Electrical Components   | 33   |
| 37     | Cable Components   | 34   |
|        | Numerical Index  | 35   |

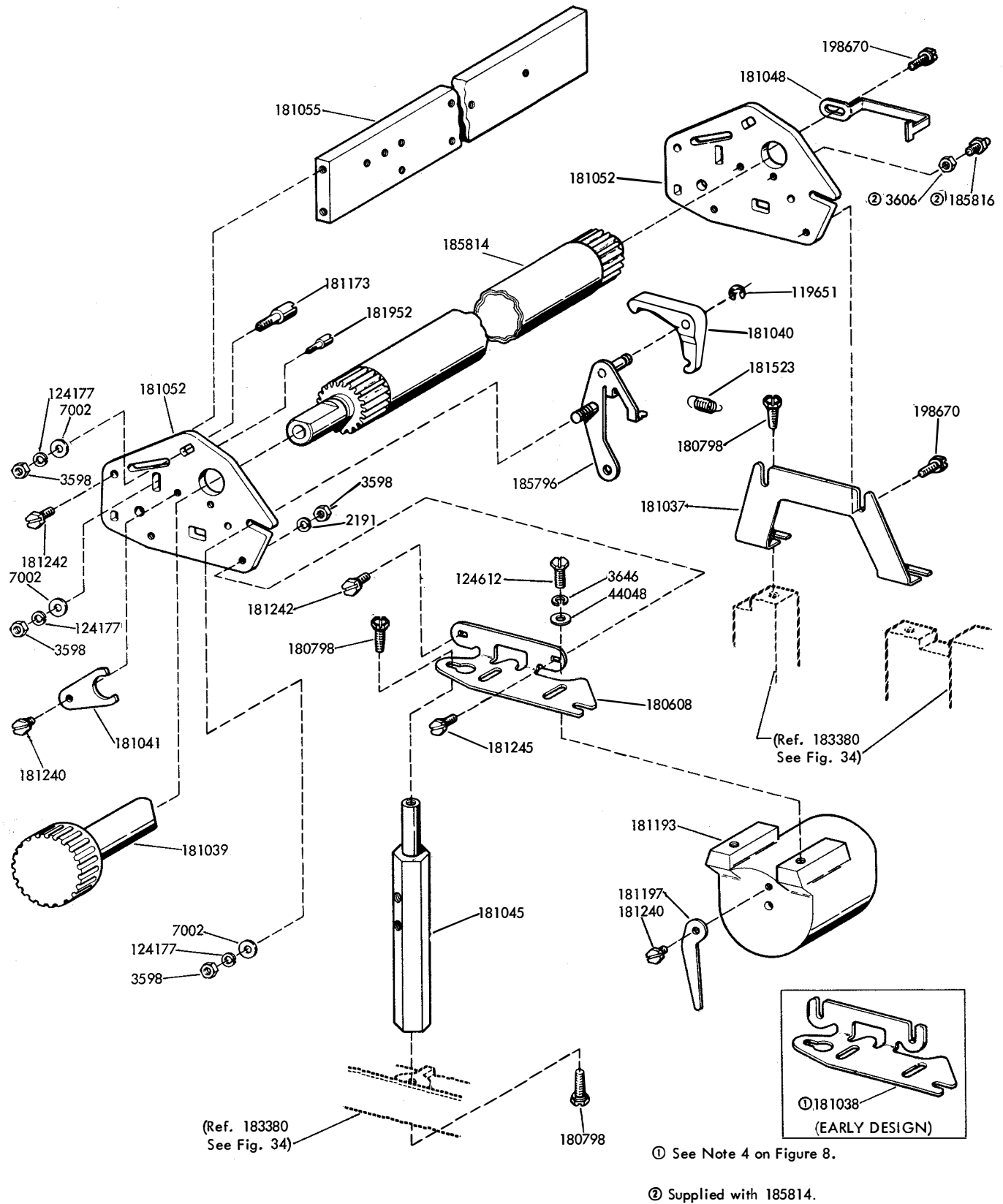


FIGURE 1. PLATEN MECHANISM - FRICTION FEED

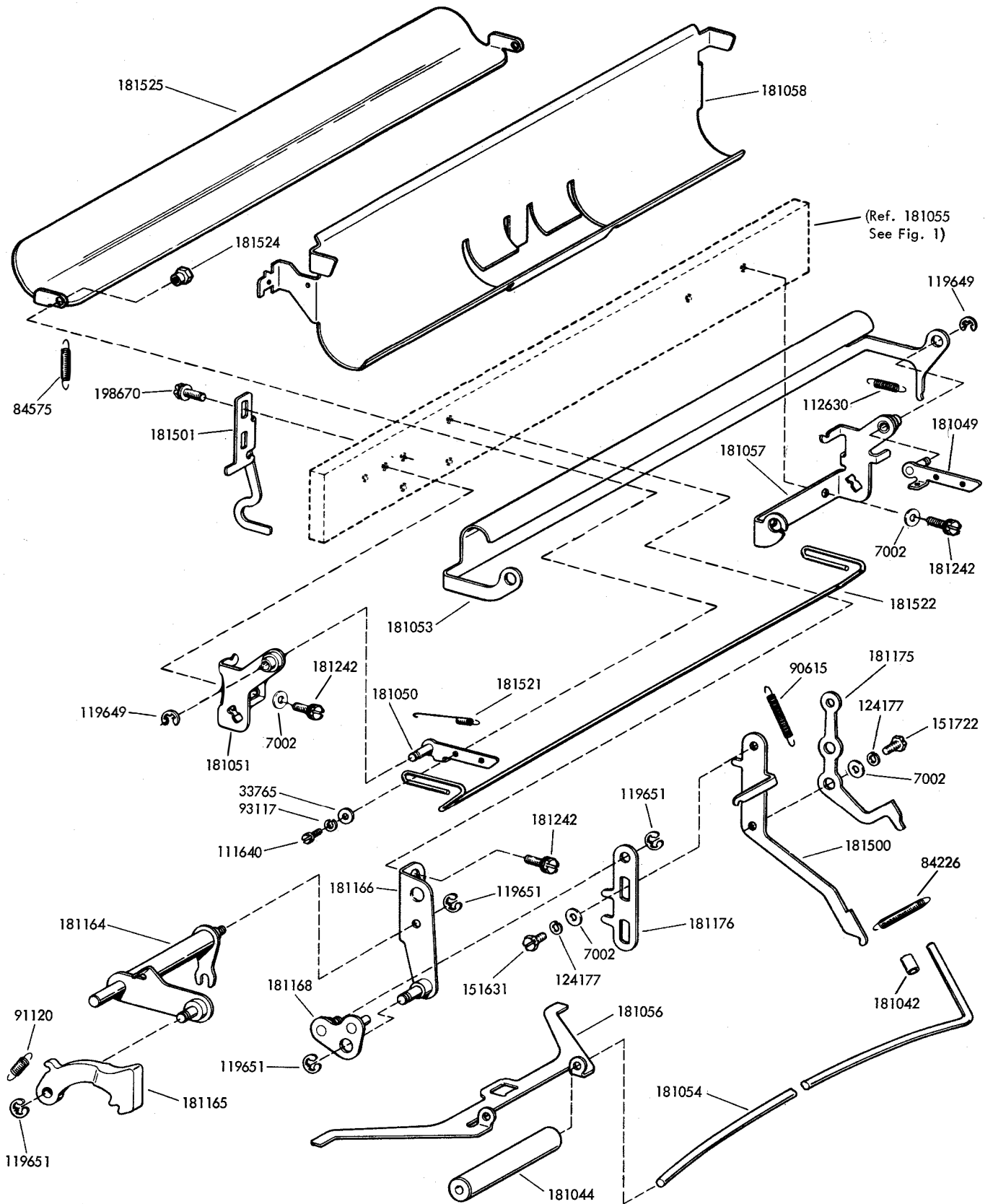


FIGURE 2. PAPER HANDLING MECHANISM - FRICTION FEED

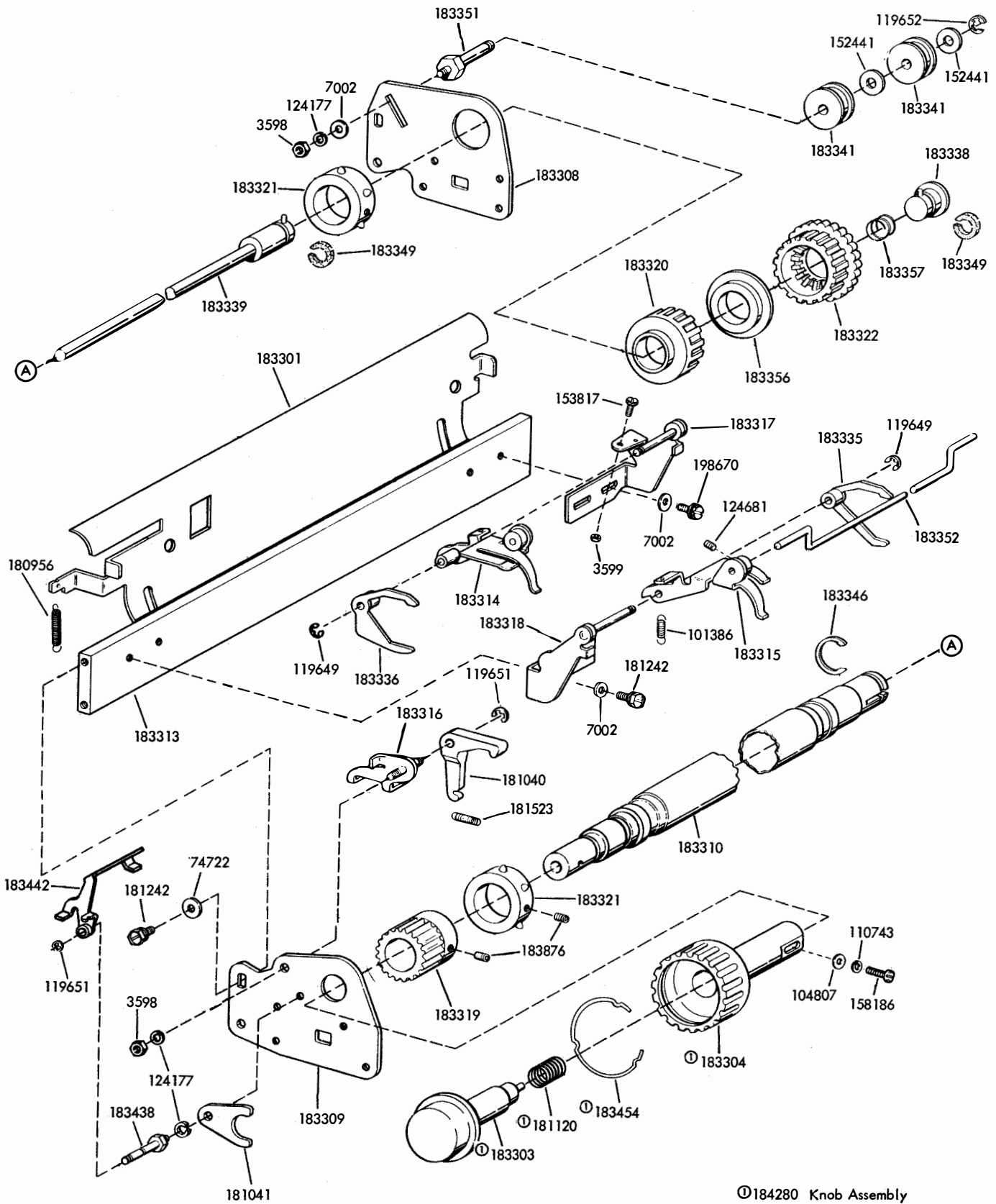


FIGURE 3. PLATEN MECHANISM - SPROCKET FEED



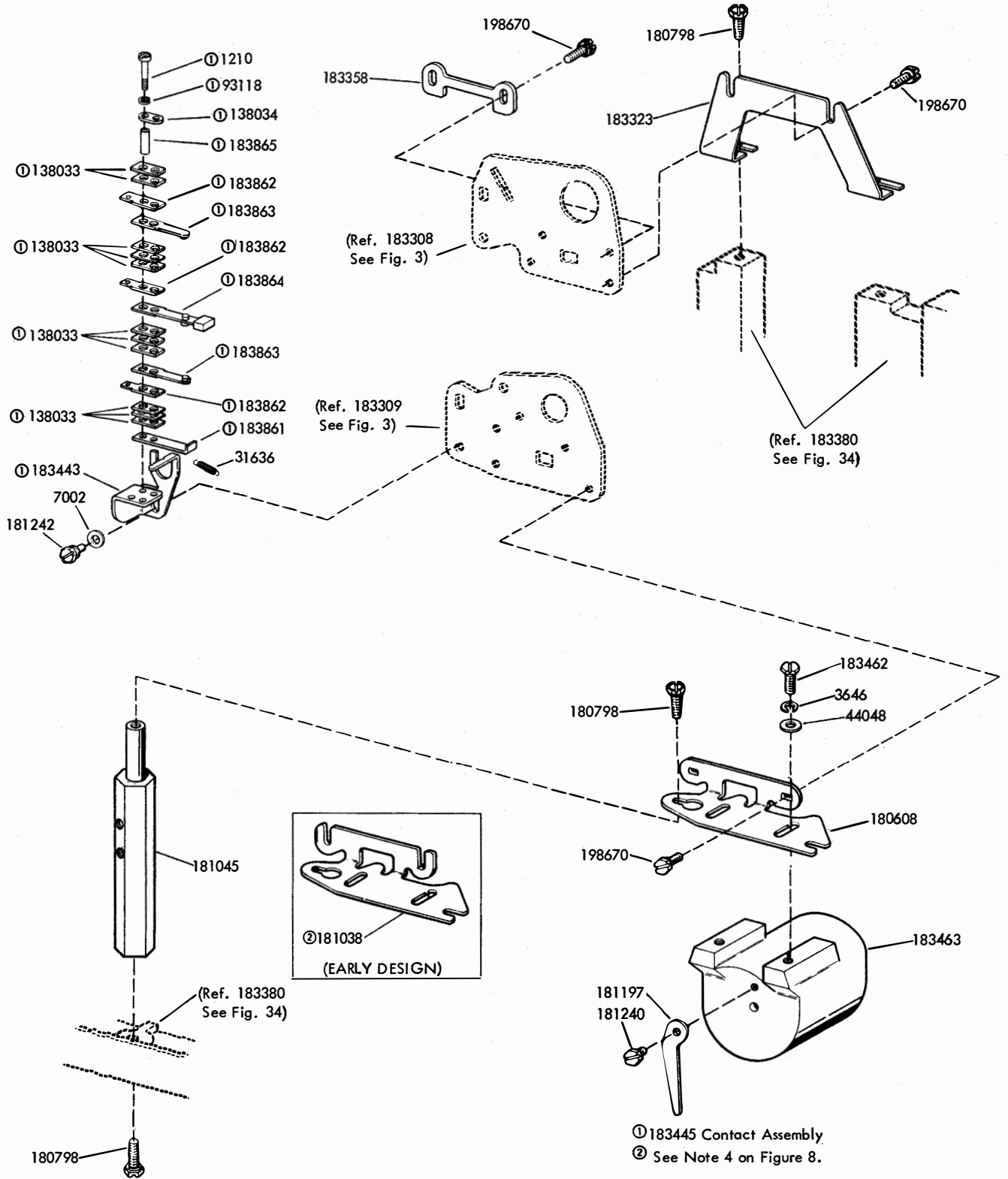


FIGURE 4. PLATEN MECHANISM - SPROCKET FEED (CONTINUED)

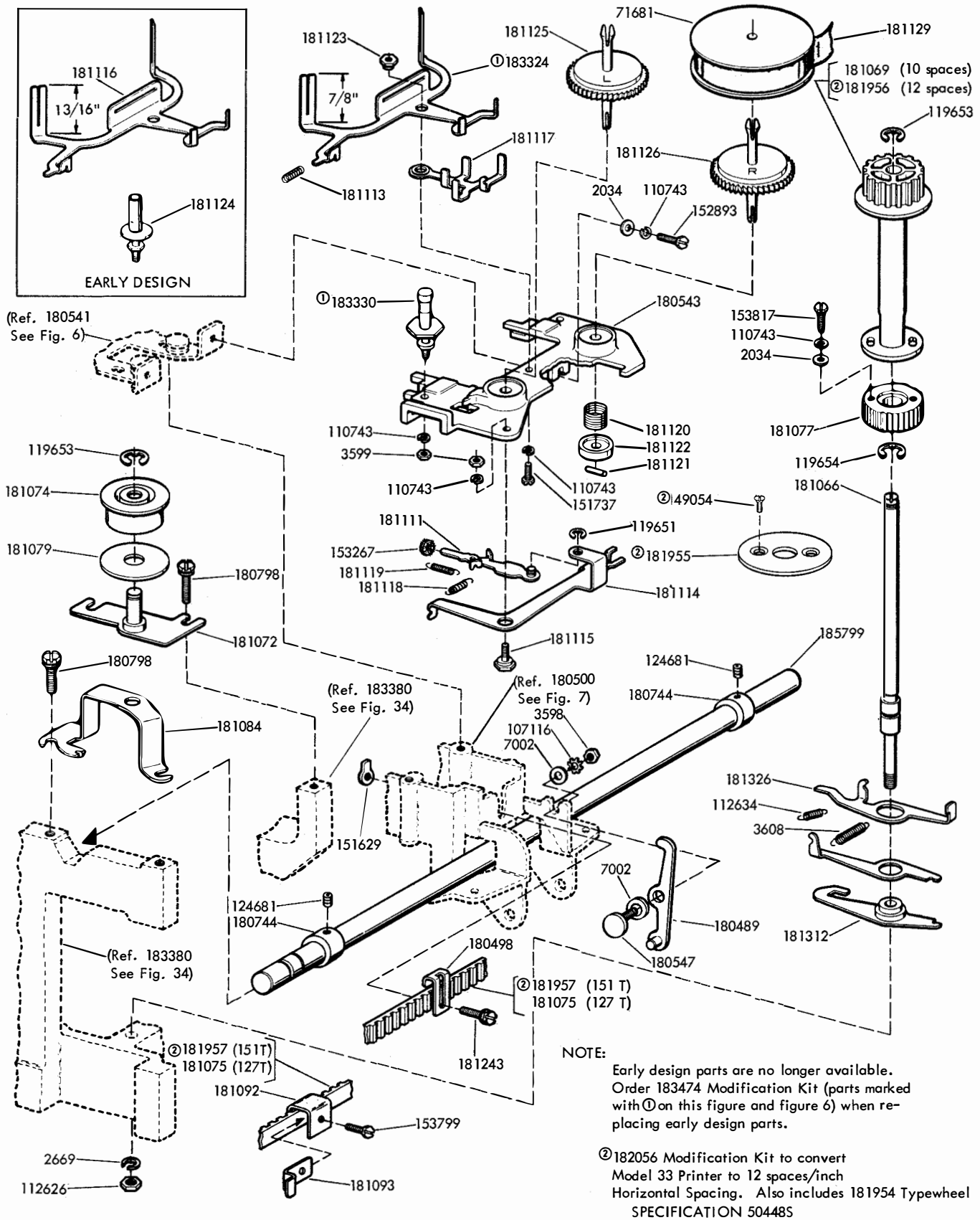


FIGURE 5. RIBBON FEED MECHANISM

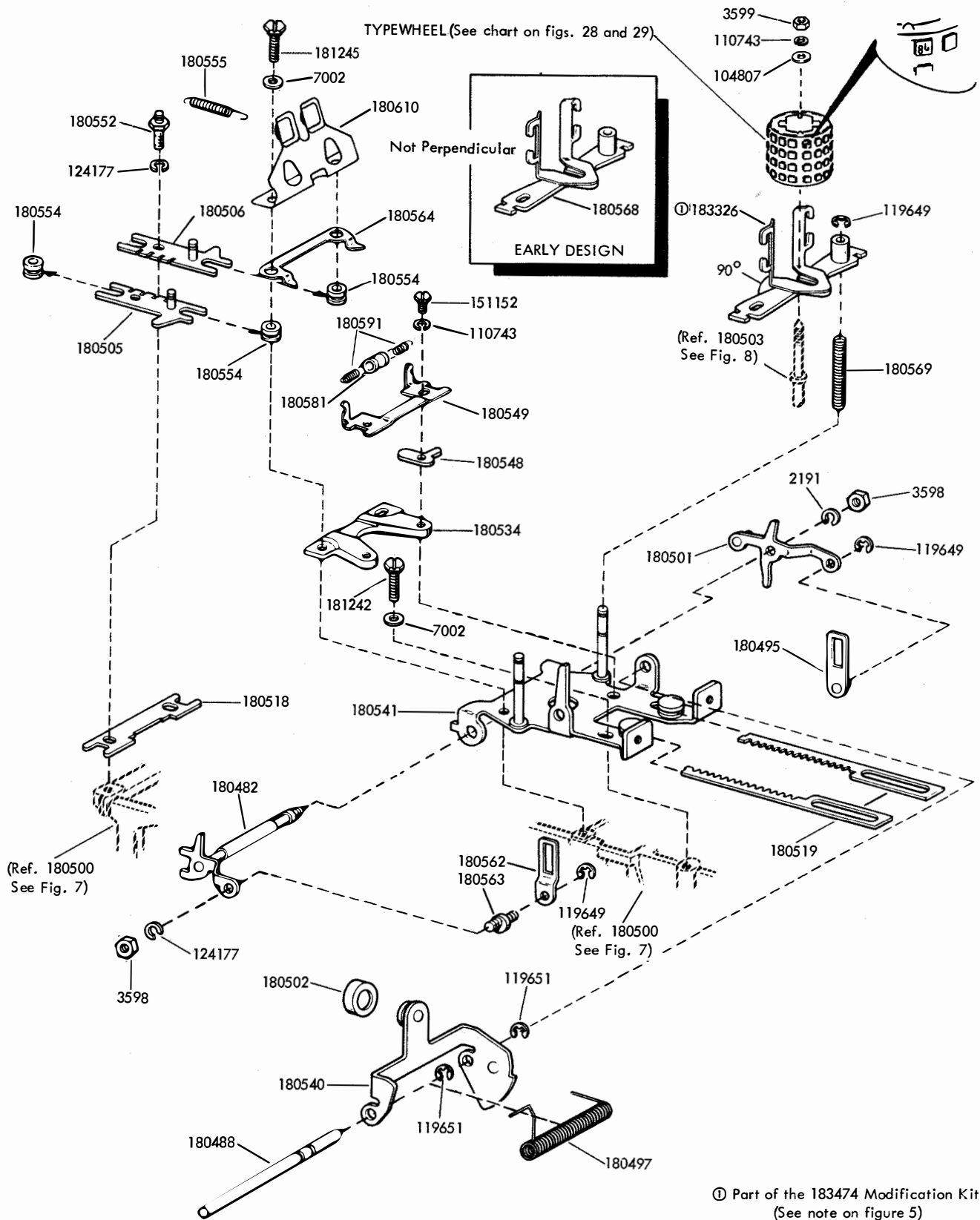


FIGURE 6. CARRIAGE UPPER PLATE MECHANISM

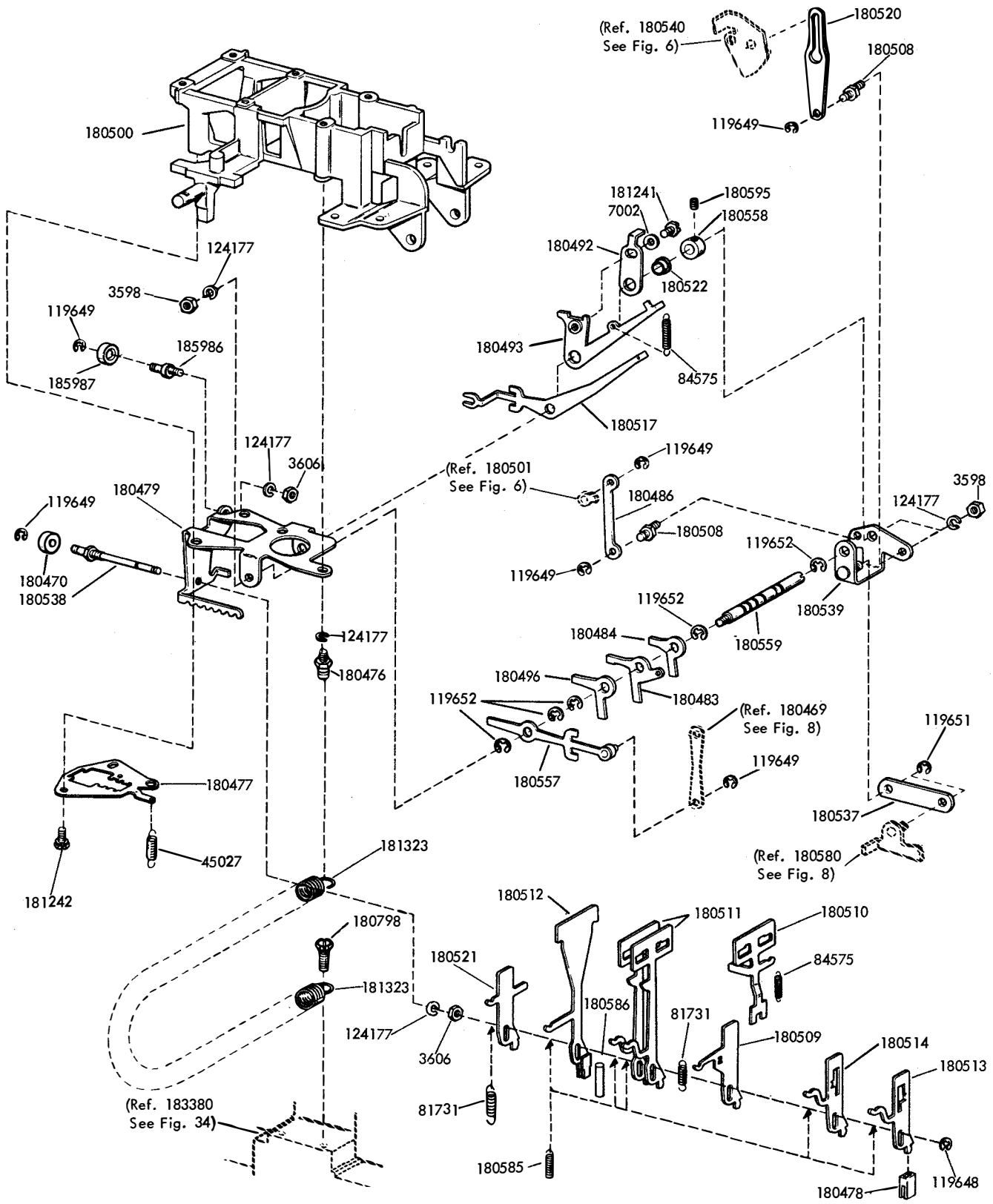


FIGURE 7. CARRIAGE LOWER PLATE MECHANISM

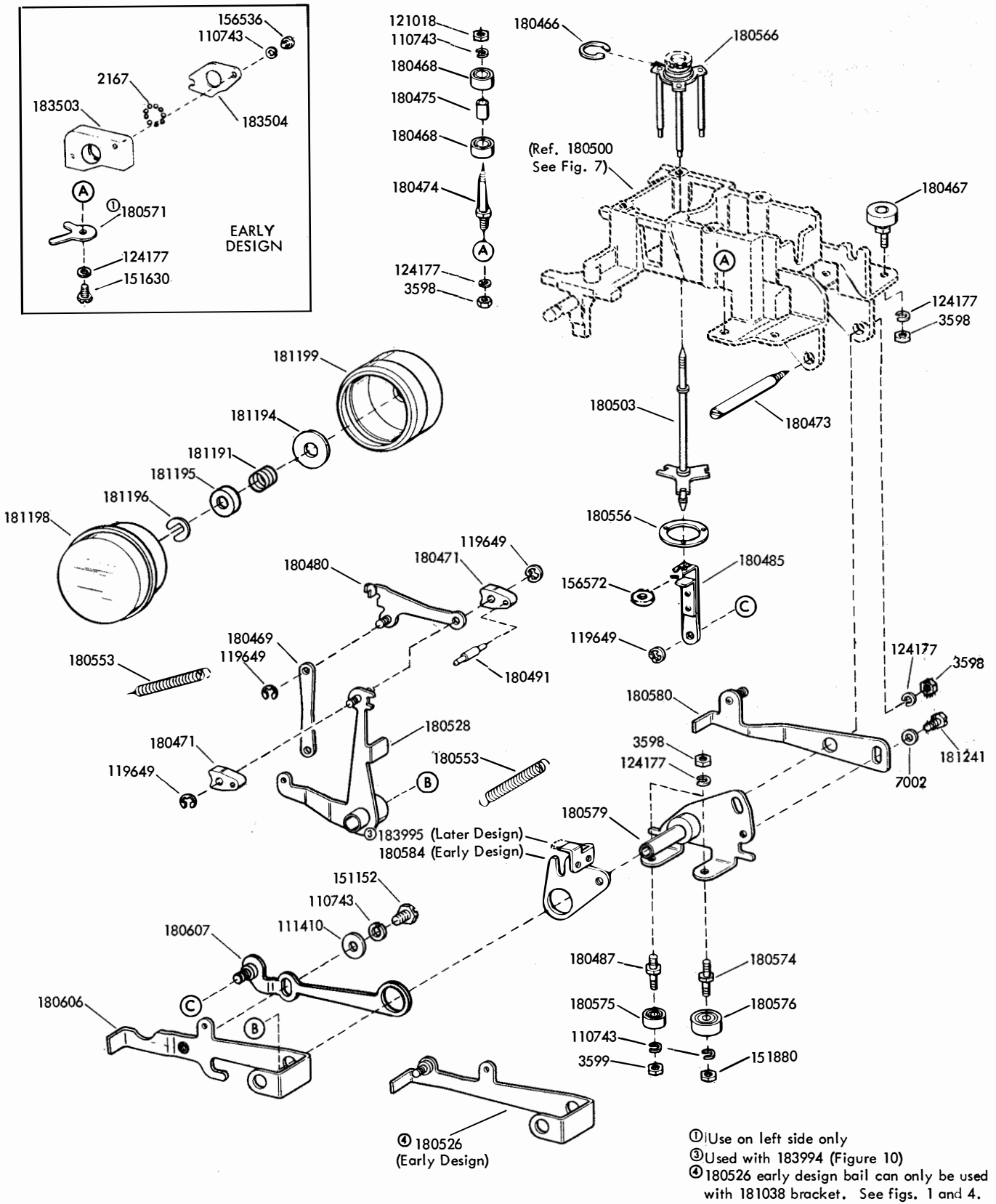
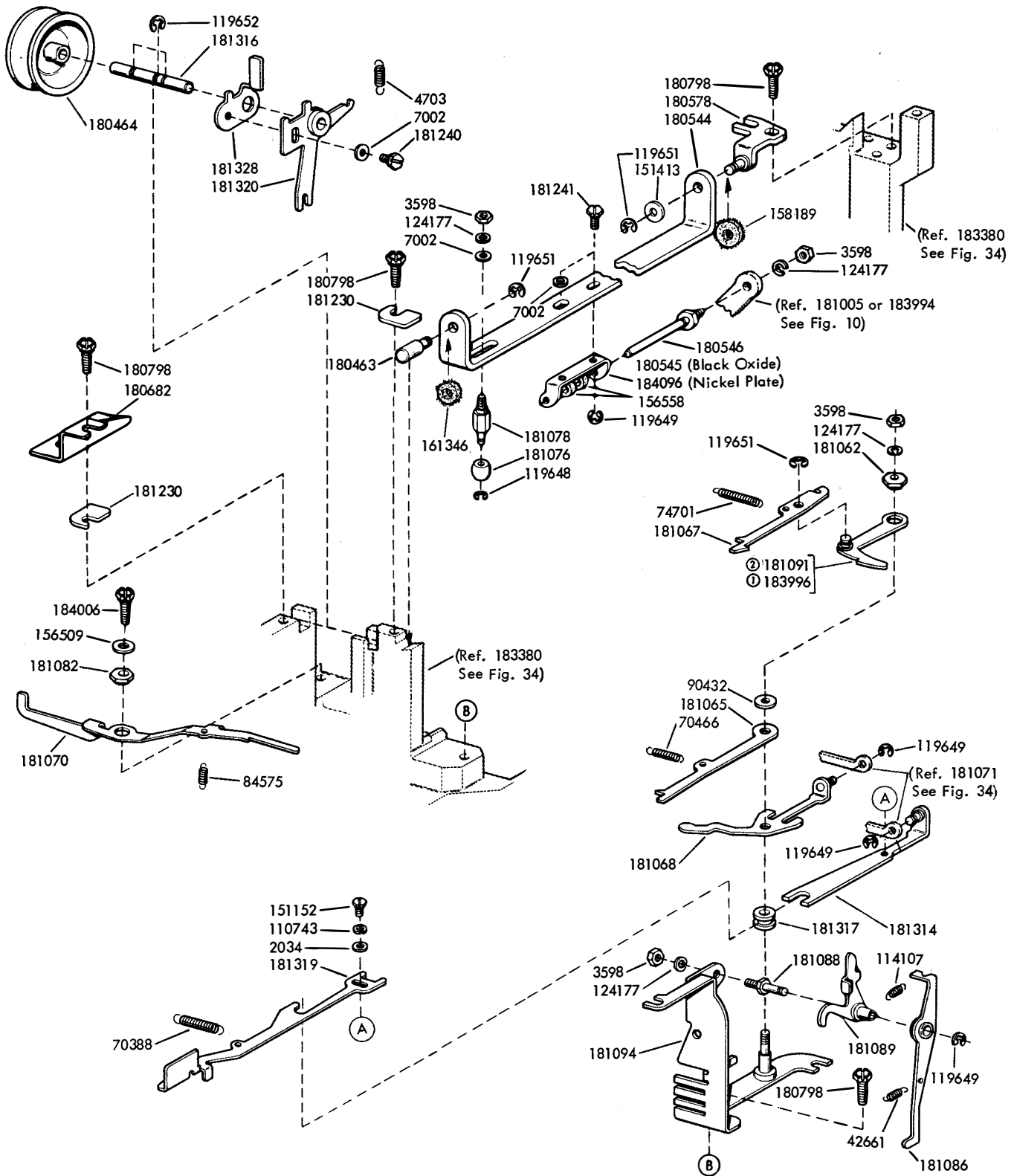


FIGURE 8. CARRIAGE POWER BAIL MECHANISM



- ① Used with 183994 (Figure 10)
- ② Used with 181005 (Figure 10)

FIGURE 9. CARRIAGE DRIVE BAIL MECHANISM

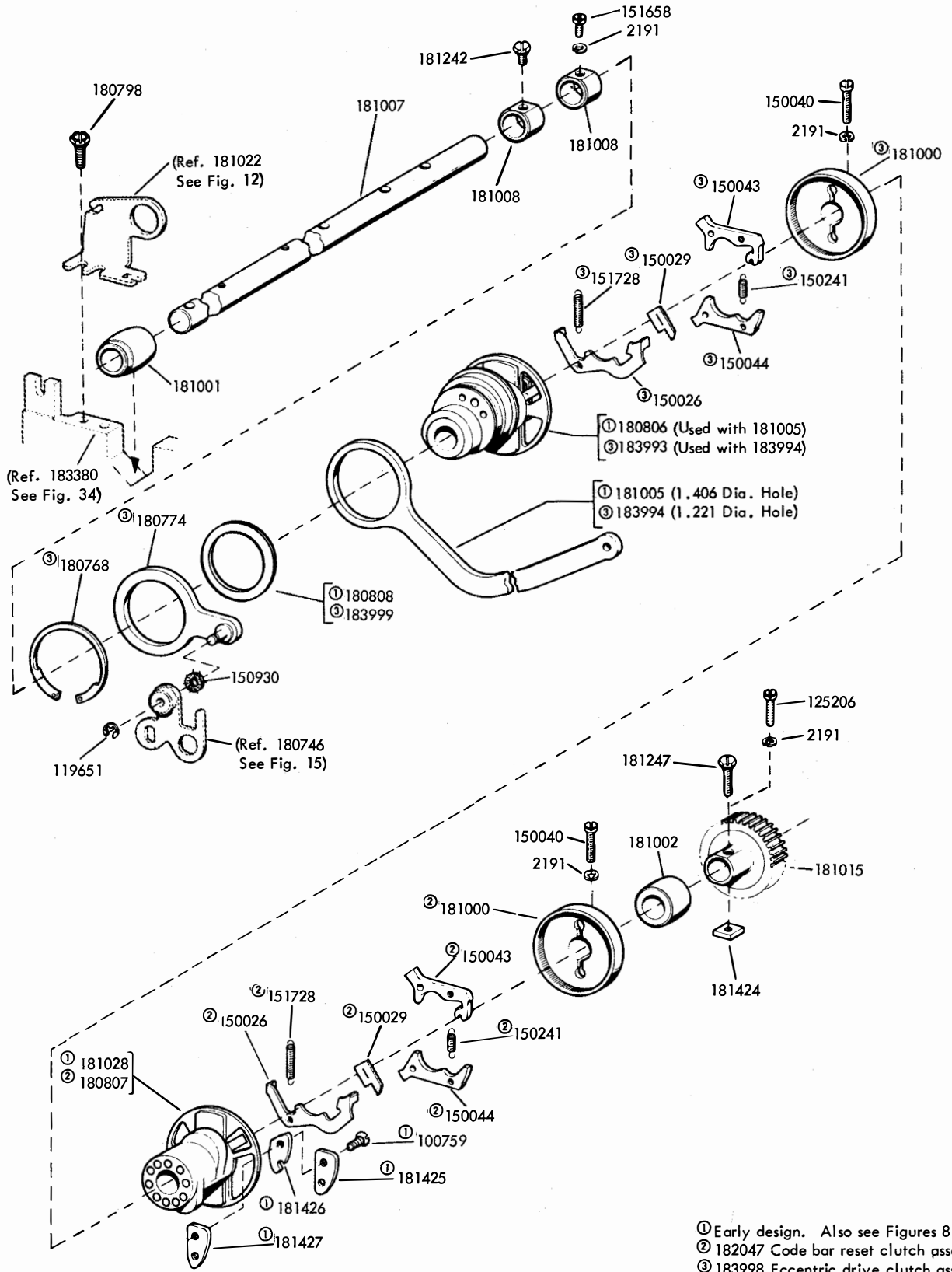


FIGURE 10. MAIN SHAFT MECHANISM - FRICTION FEED

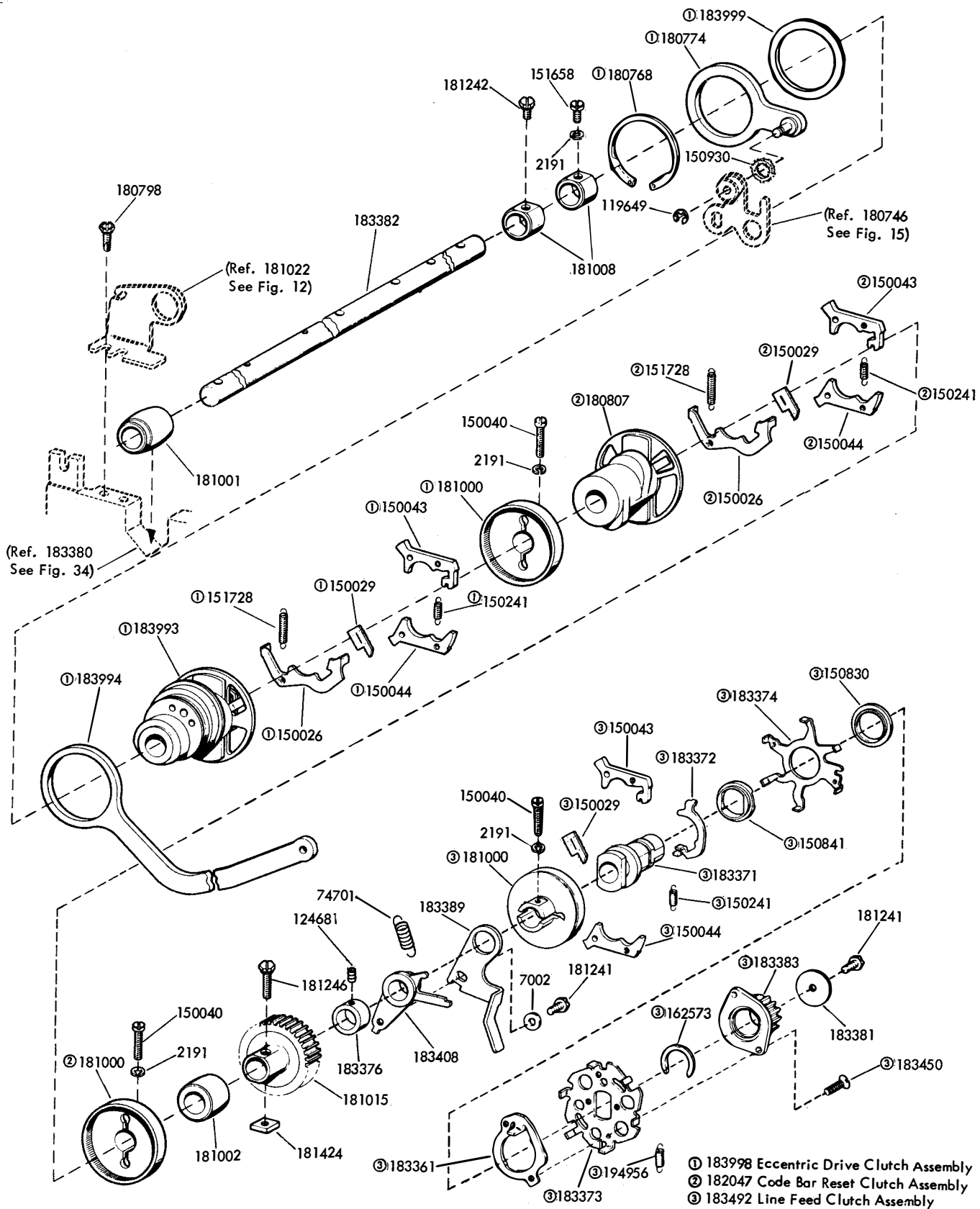


FIGURE 11. MAIN SHAFT MECHANISM - SPROCKET FEED



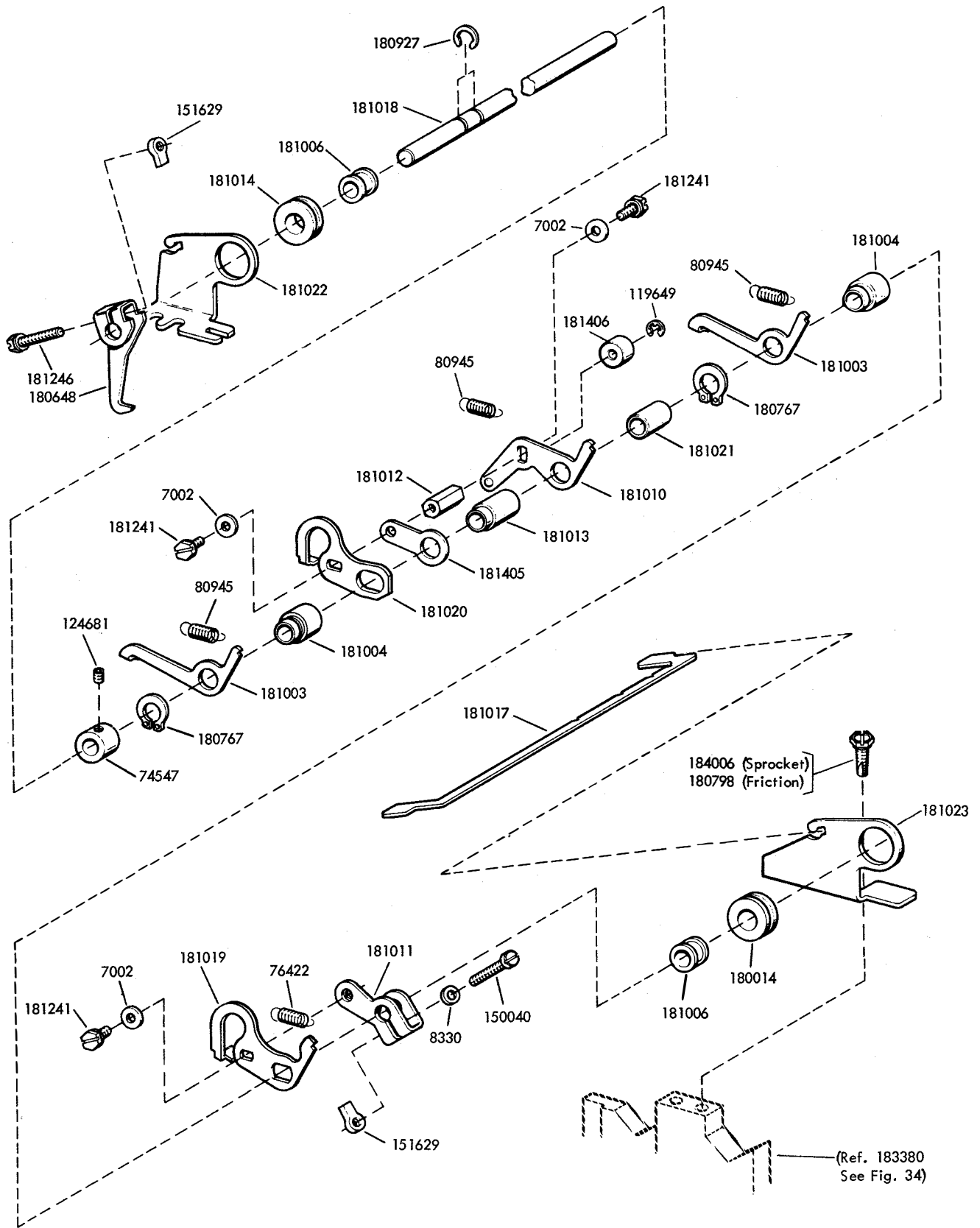
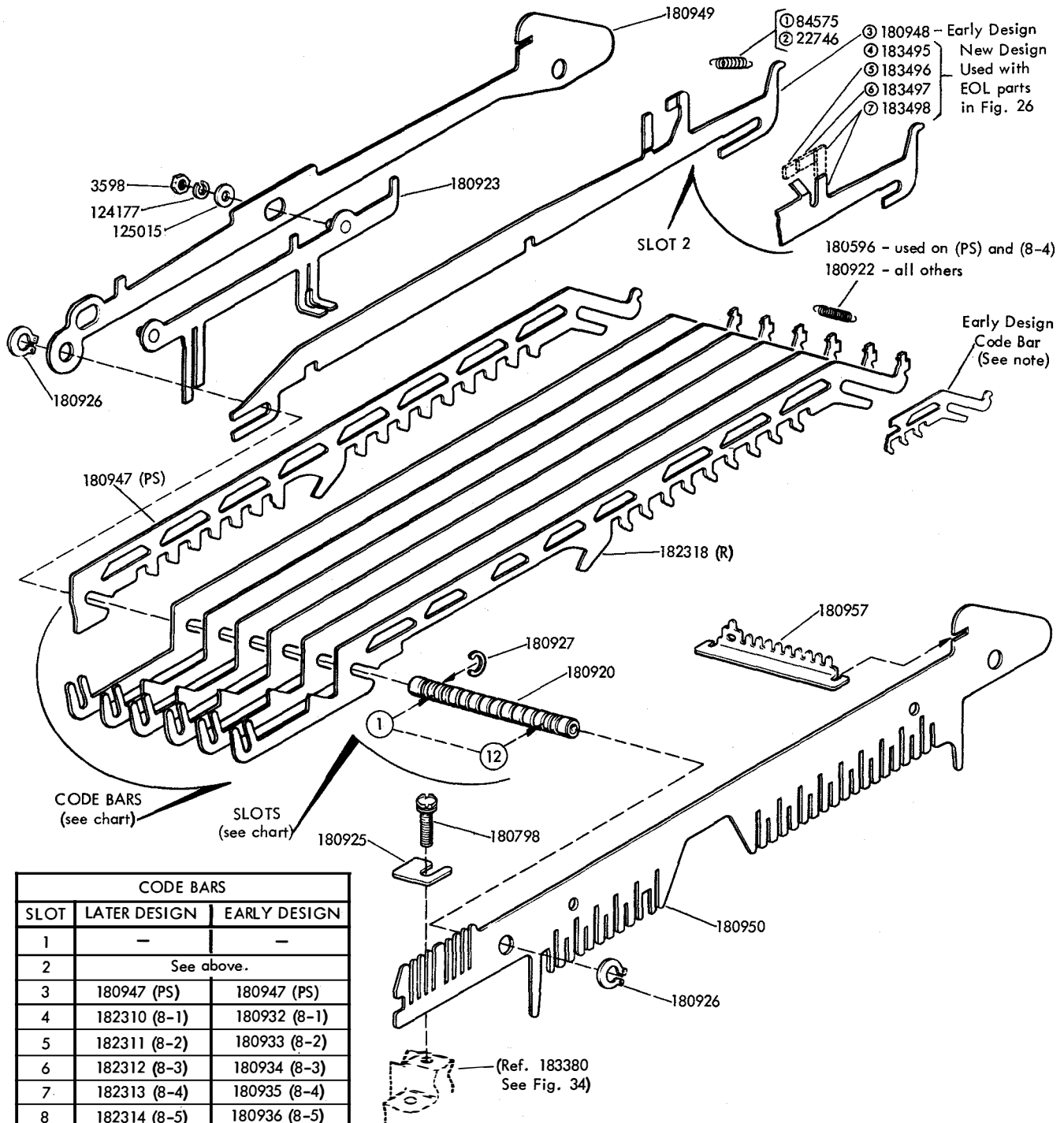


FIGURE 12. CLUTCH TRIP LEVER MECHANISM



| CODE BARS |              |              |
|-----------|--------------|--------------|
| SLOT      | LATER DESIGN | EARLY DESIGN |
| 1         | -            | -            |
| 2         | See above.   |              |
| 3         | 180947 (PS)  | 180947 (PS)  |
| 4         | 182310 (8-1) | 180932 (8-1) |
| 5         | 182311 (8-2) | 180933 (8-2) |
| 6         | 182312 (8-3) | 180934 (8-3) |
| 7         | 182313 (8-4) | 180935 (8-4) |
| 8         | 182314 (8-5) | 180936 (8-5) |
| 9         | 182315 (8-6) | 180937 (8-6) |
| 10        | 182316 (7)   | 180938 (7)   |
| 11        | 182317 (8)   | 180939 (8)   |
| 12        | -            | -            |

Note:  
 Numbers in parenthesis indicate stamping on bar.  
 Early design and later design code bars are interchangeable in sets only.

- ① Used with 180948 or 183498 bar
- ② All others
- ③ Auto CR and EOL bell. By removing tines bar can be coded for a 69, 72 or 74 character line
- ④ Auto CR and EOL bell on a 69 character line
- ⑤ Auto CR and EOL bell on a 72 character line
- ⑥ Auto CR and EOL bell on a 74 character line
- ⑦ EOL bell only.

FIGURE 13. CODE BAR BASKET MECHANISM







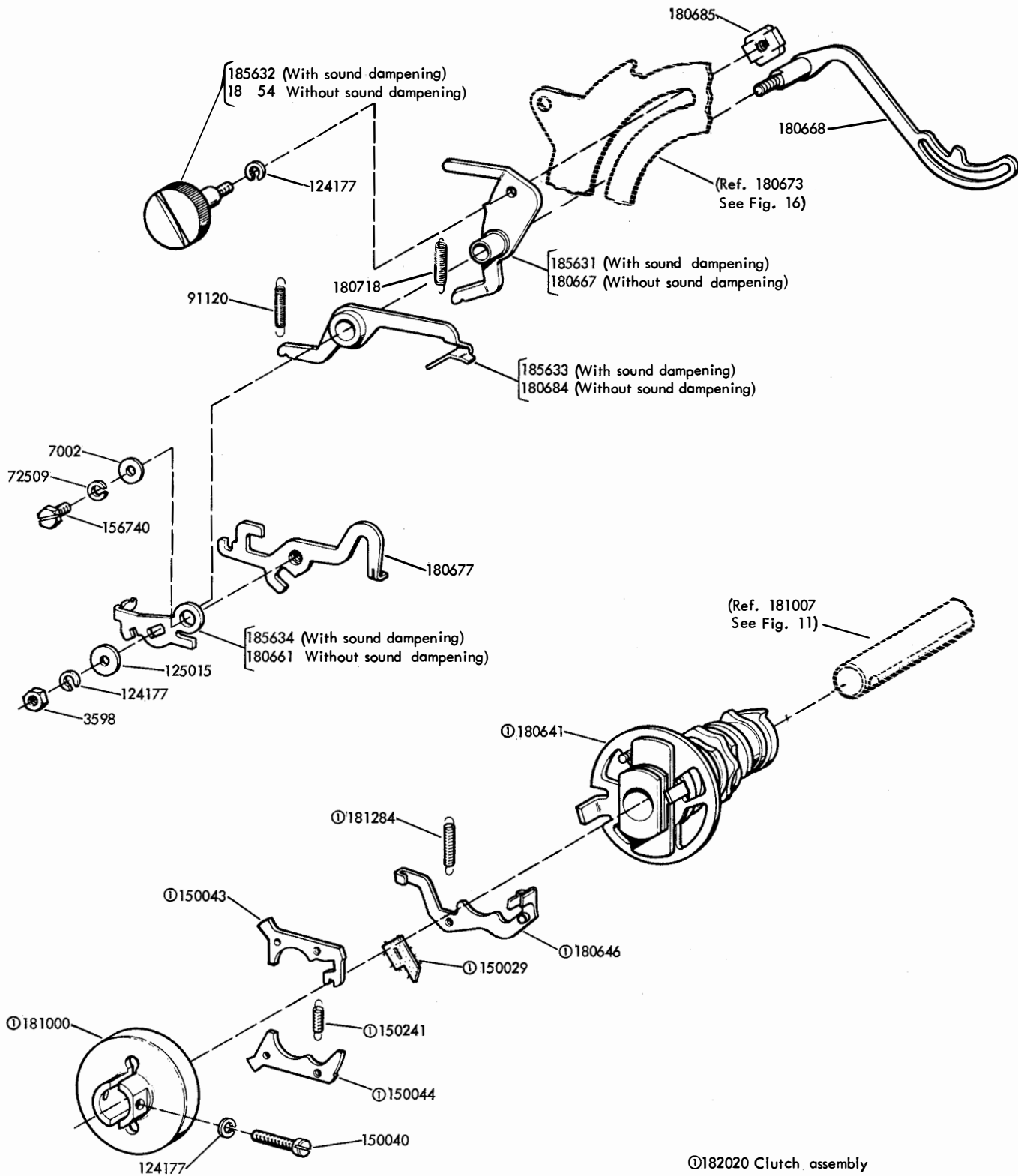


FIGURE 17. CLUTCH AND CAMSLEEVE MECHANISM

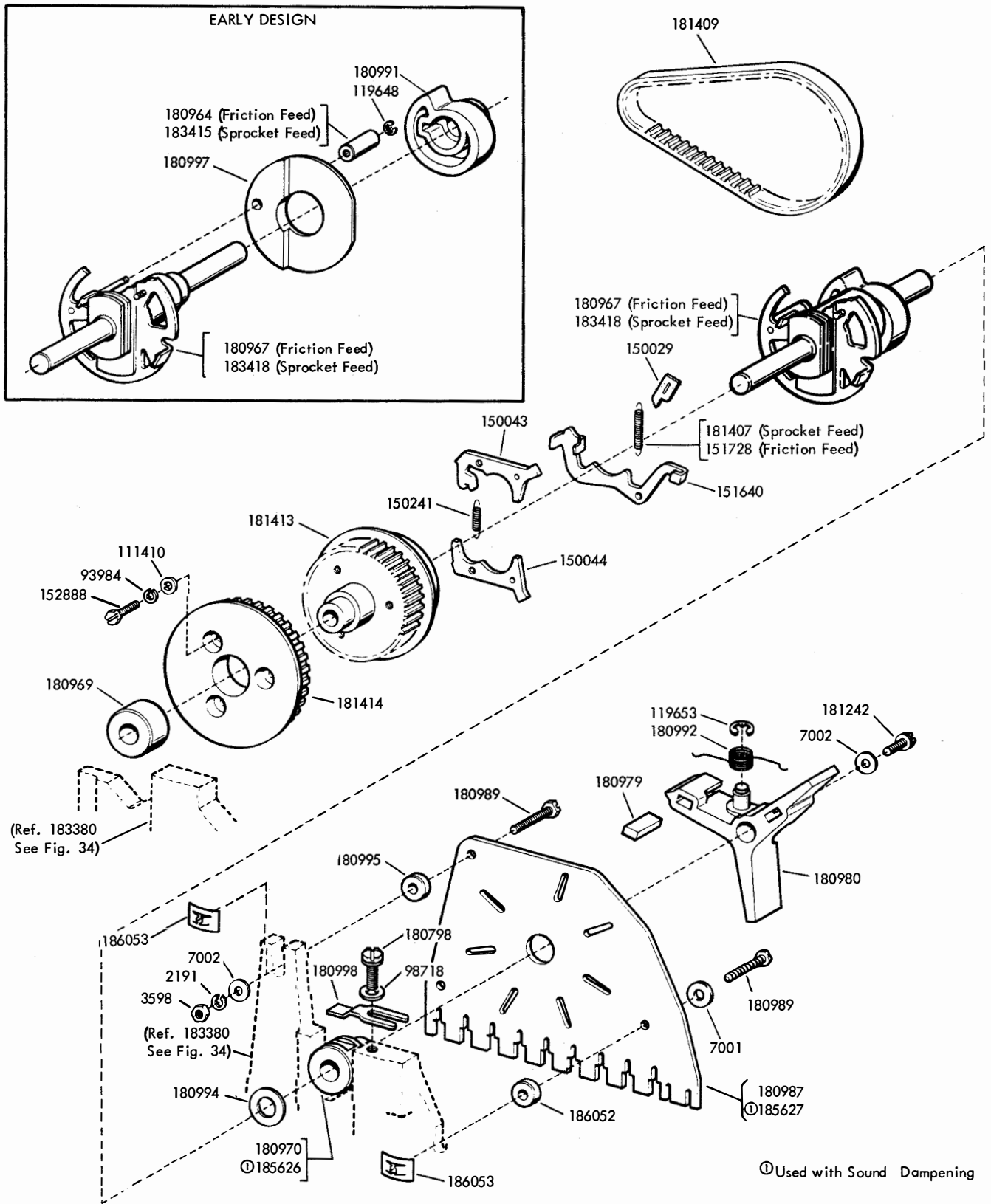
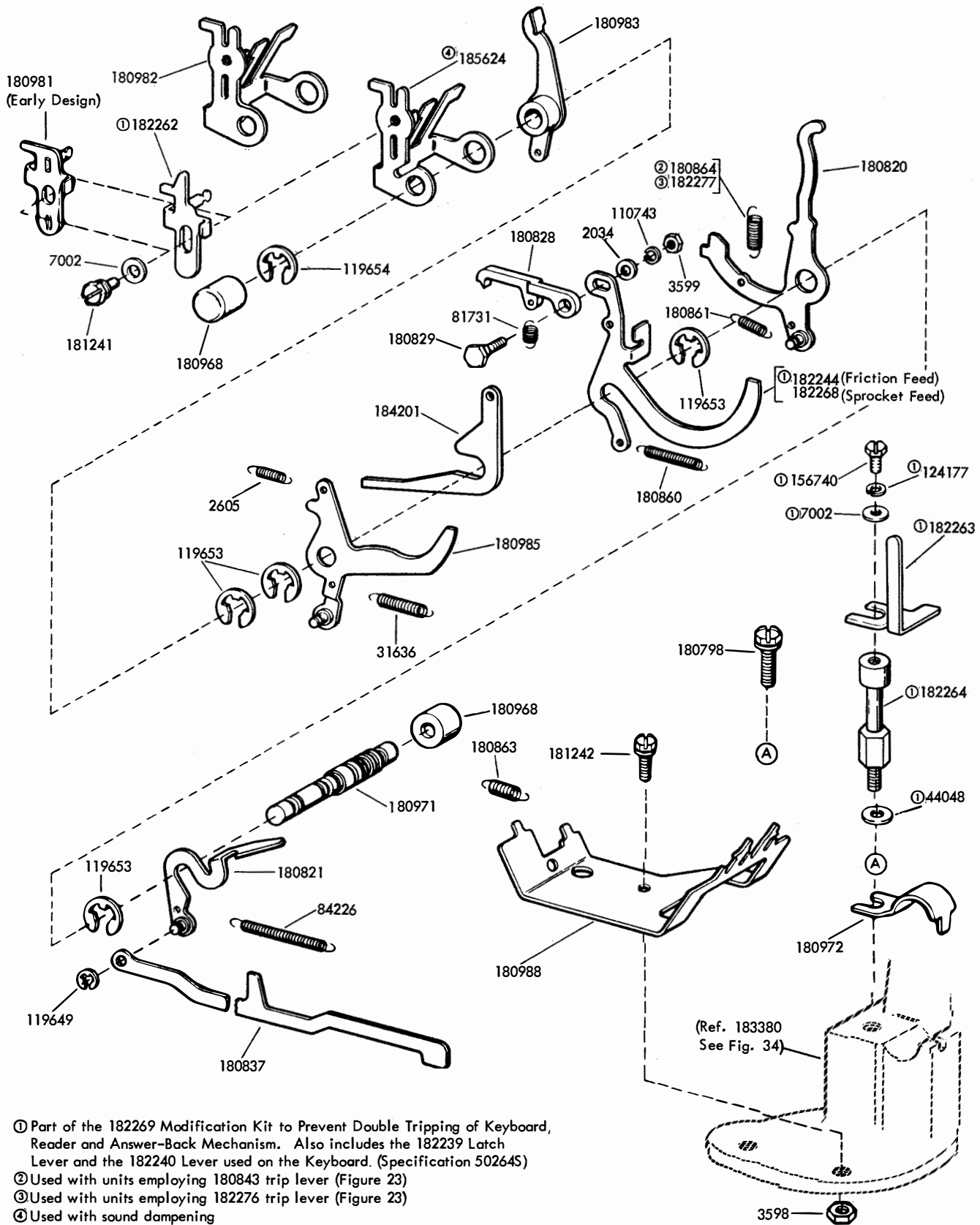


FIGURE 18. DISTRIBUTOR CLUTCH MECHANISM



- ① Part of the 182269 Modification Kit to Prevent Double Tripping of Keyboard, Reader and Answer-Back Mechanism. Also includes the 182239 Latch Lever and the 182240 Lever used on the Keyboard. (Specification 502645)
- ② Used with units employing 180843 trip lever (Figure 23)
- ③ Used with units employing 182276 trip lever (Figure 23)
- ④ Used with sound dampening

FIGURE 19. TRIP SHAFT MECHANISM



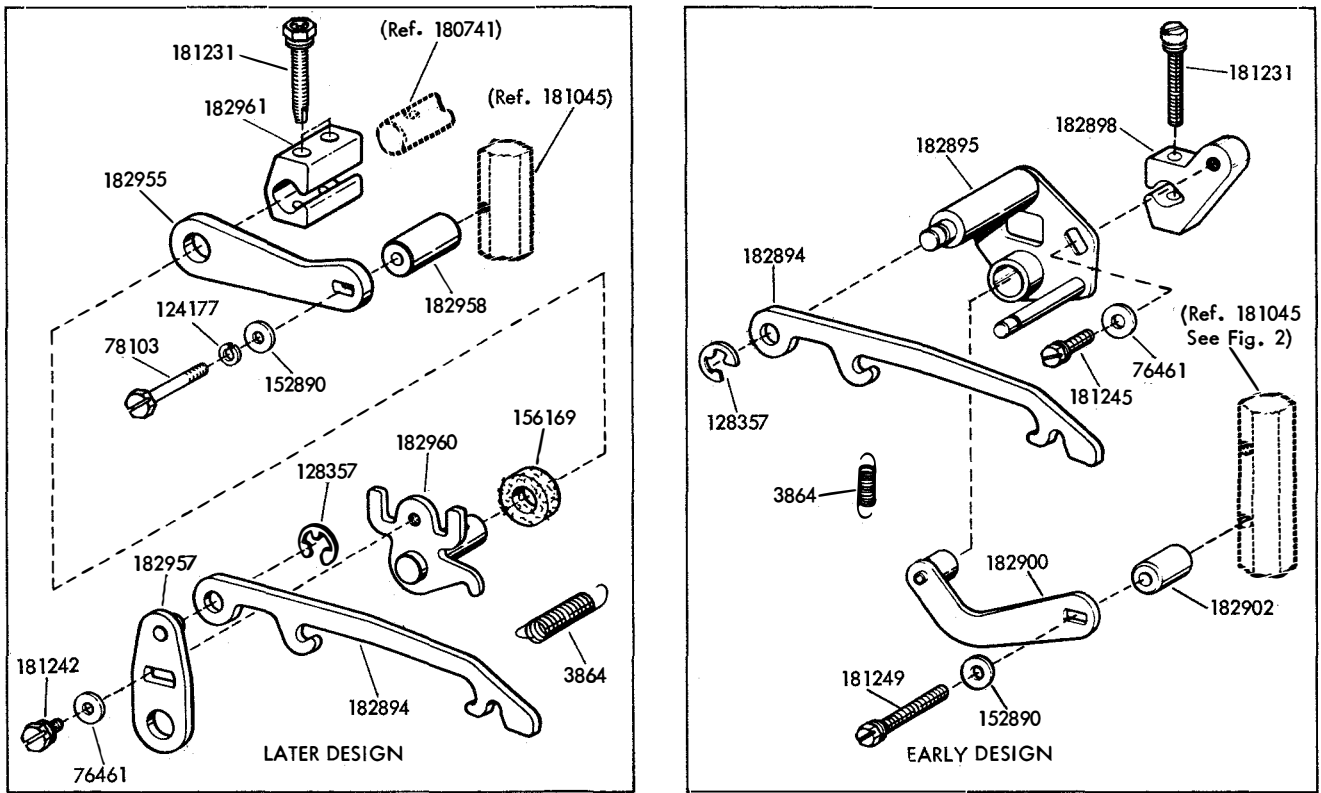


FIGURE 20. 182964 DRIVE ARM ASSEMBLY

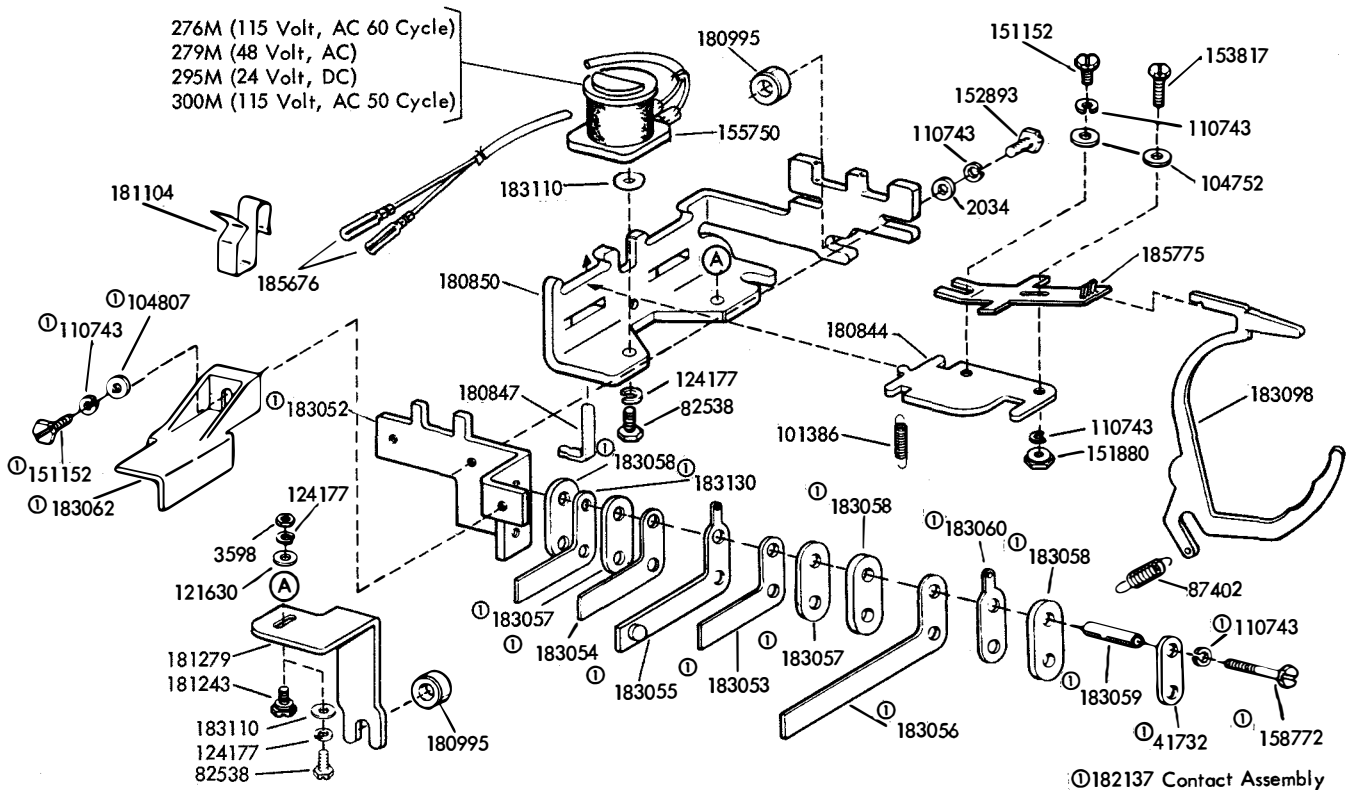


FIGURE 21. CLUTCH TRIP MECHANISM

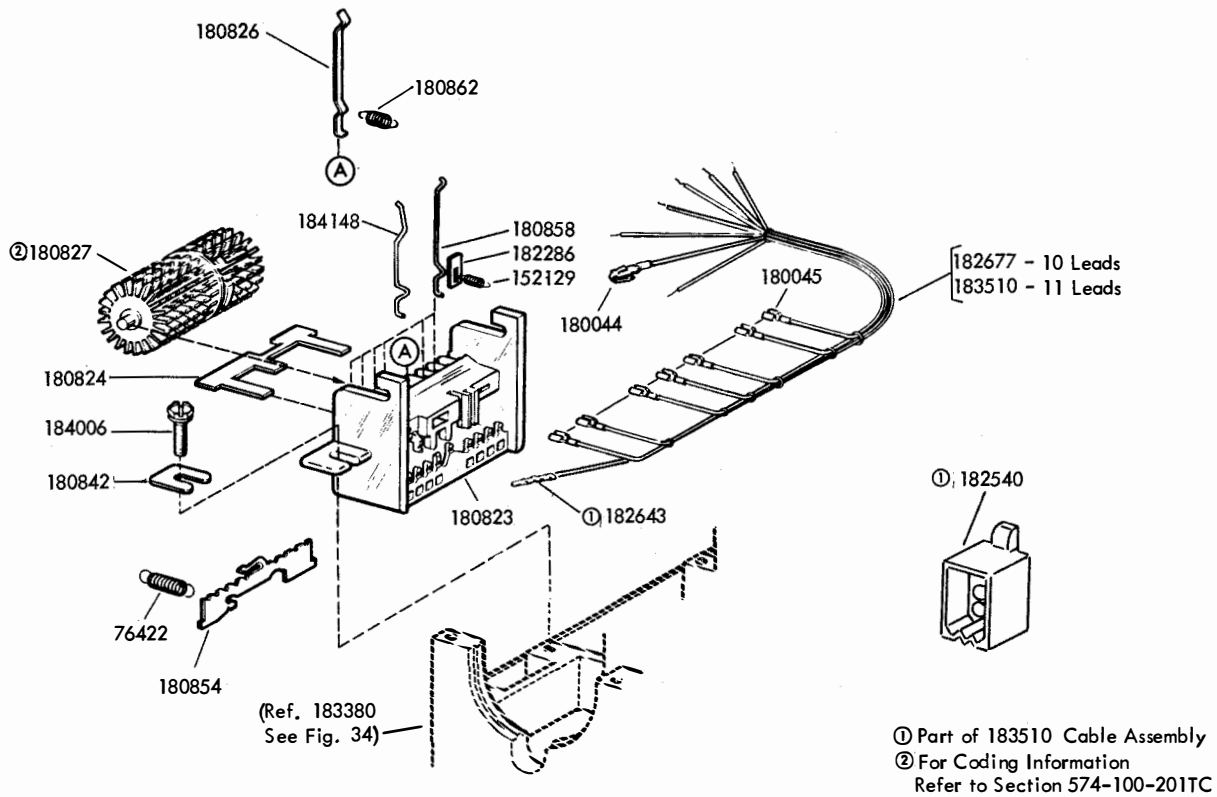


FIGURE 22. ANSWER-BACK DRUM MECHANISM

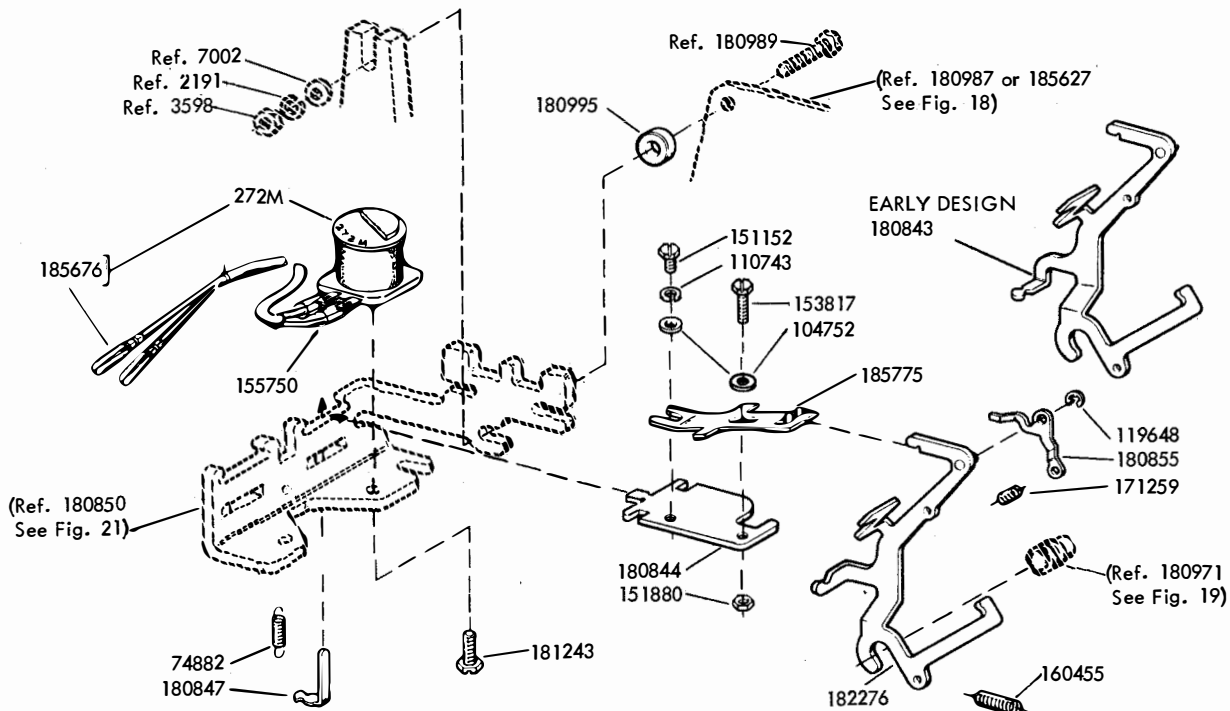
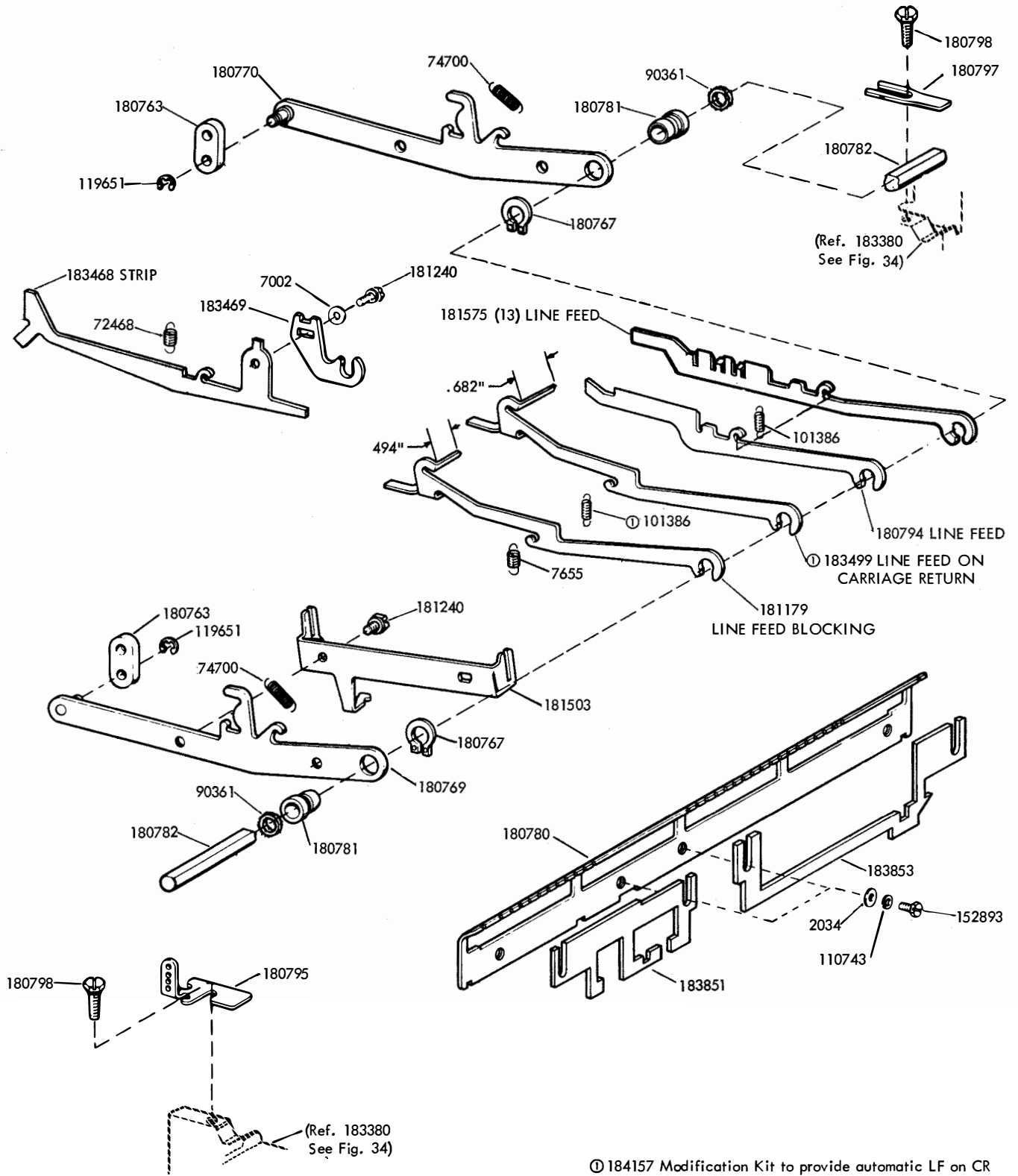


FIGURE 23. ANSWER-BACK TRIP MAGNET MECHANISM

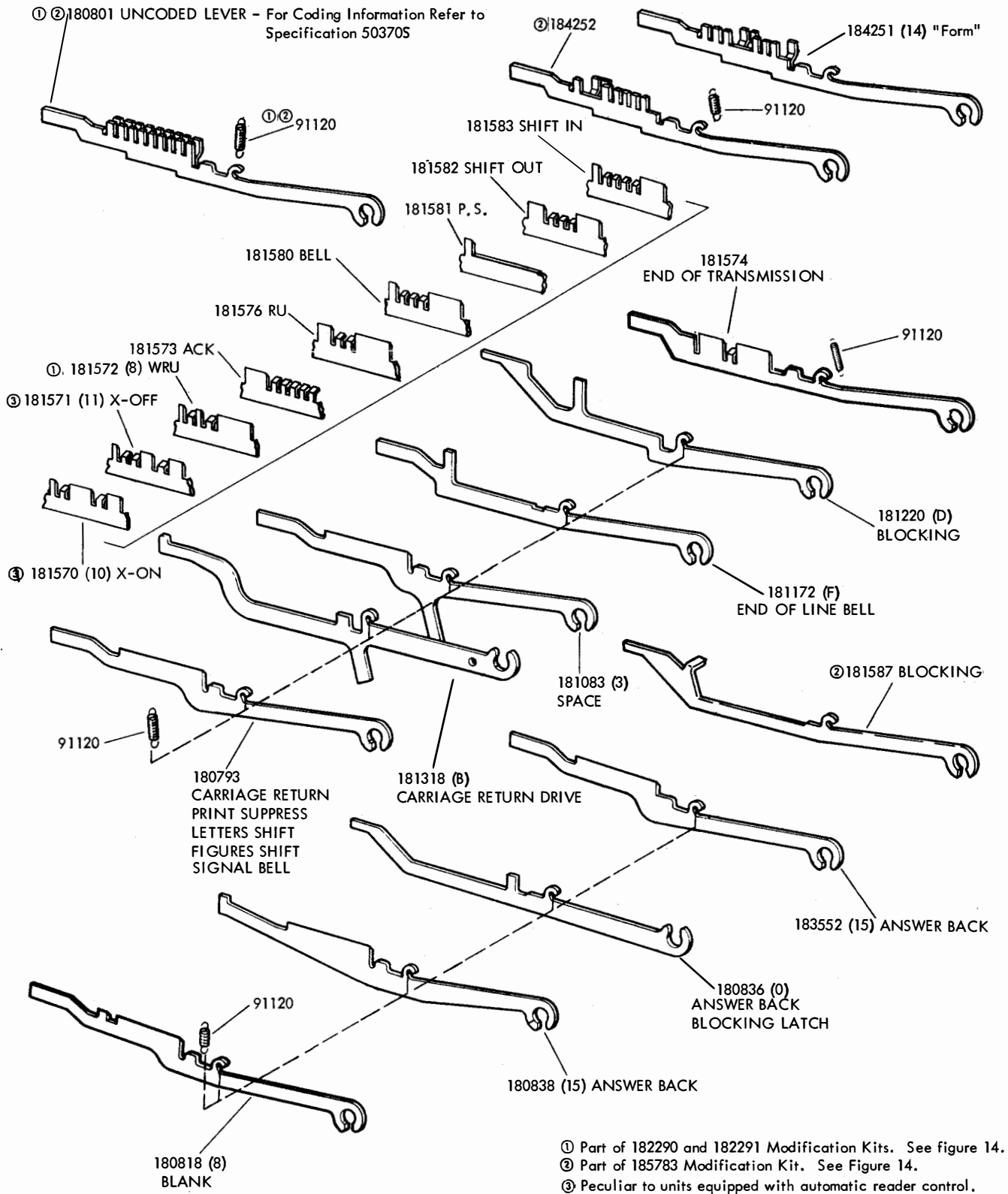


① 184157 Modification Kit to provide automatic LF on CR

Specification 50413S

Number in parenthesis ( ) indicate slot number.

FIGURE 24. LINE FEED FUNCTION LEVER MECHANISM



NOTE:  
 Numbers in parentheses indicate slot numbers.

FIGURE 25. FUNCTION LEVERS

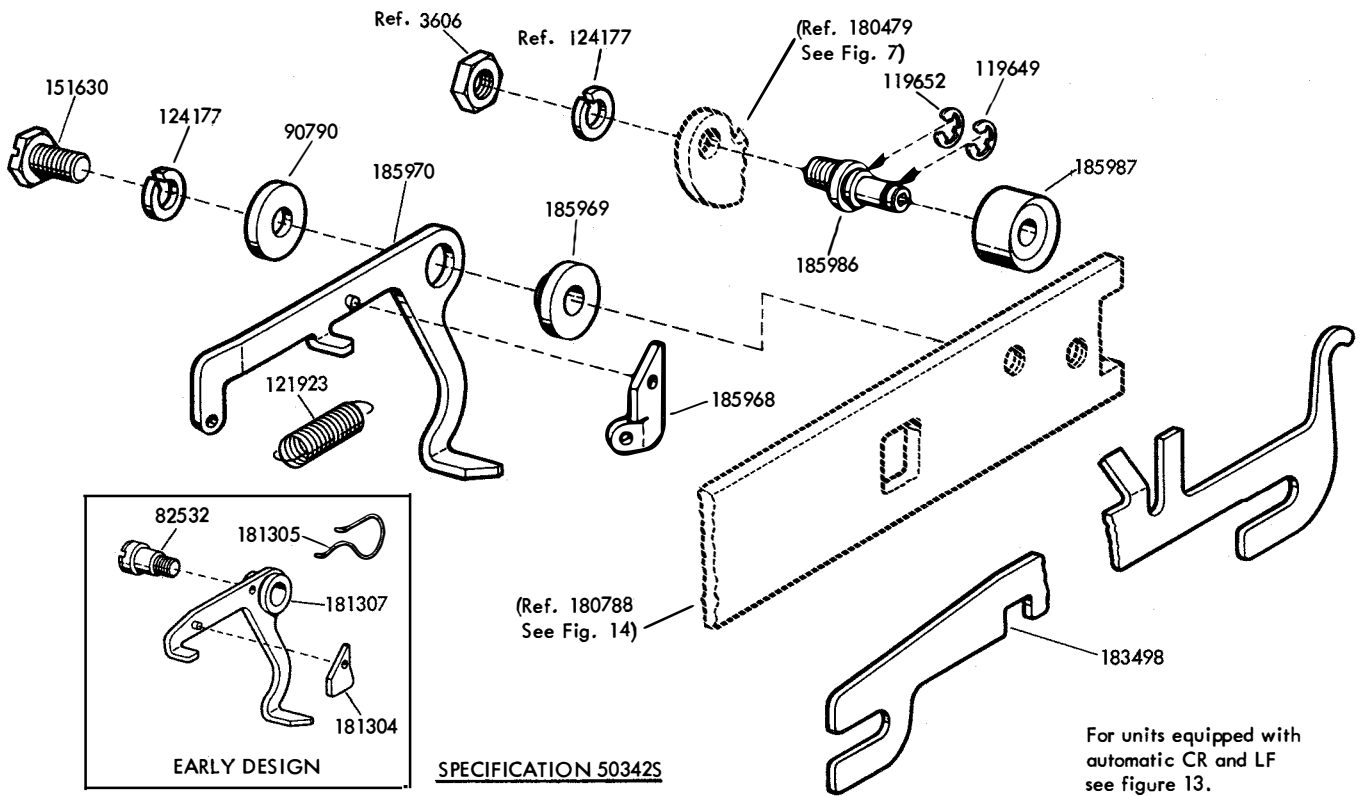


FIGURE 26. 185971 MODIFICATION KIT TO PROVIDE PRINTER WITH AN END-OF-LINE BELL TO RING ON APPROXIMATELY THE 62ND CHARACTER

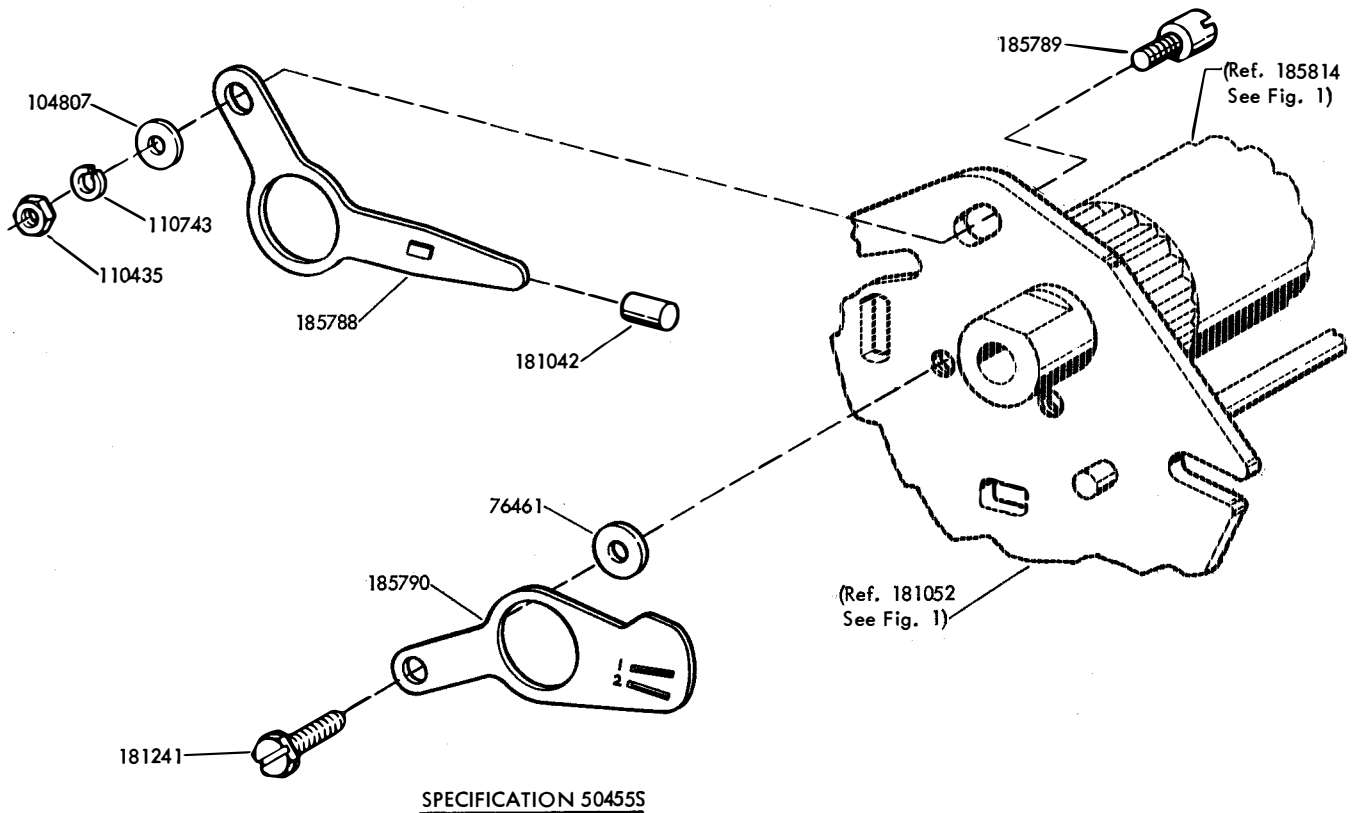


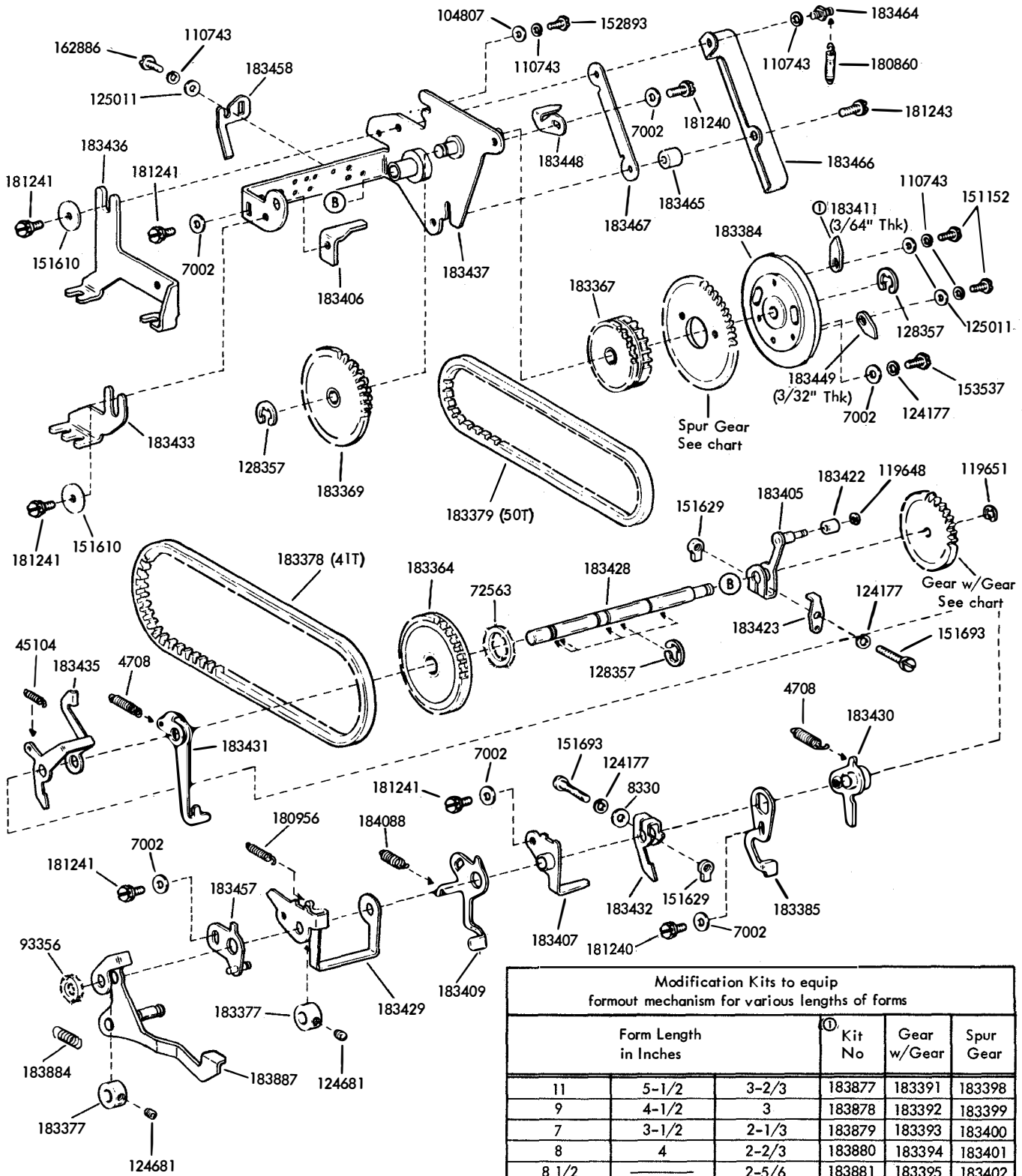
FIGURE 27. 185791 MODIFICATION KIT TO PROVIDE CONTROLLED SINGLE OR DOUBLE LINE FEED FEATURE ON FRICTION FEED PRINTER

CHARACTERS

| TYPEWHEEL | PART NO. | POSITION | CHARACTERS |   |   |   |   |   |   |   |   |    |    |   |   |   |   |   |   |   |   |   |   |   |   |   |   |   |
|-----------|----------|----------|------------|---|---|---|---|---|---|---|---|----|----|---|---|---|---|---|---|---|---|---|---|---|---|---|---|---|
|           |          |          | A          | B | C | D | E | F | G | H | I | J  | K  | L | M | N | O | P | Q | R | S | T | U | V | W | X | Y | Z |
| MA        | 180598   | UNSHIFT  |            |   |   |   |   |   |   |   |   |    |    |   |   |   |   |   |   |   |   |   |   |   |   |   |   |   |
|           |          | SHIFT    |            |   |   |   |   |   |   |   |   |    |    |   |   |   |   |   |   |   |   |   |   |   |   |   |   |   |
| MB        | 182280   | UNSHIFT  | 1          | 2 |   |   |   |   |   |   |   |    |    |   |   |   |   |   |   |   |   |   |   |   |   |   |   |   |
|           |          | SHIFT    |            |   |   |   |   |   |   |   |   |    |    |   |   |   |   |   |   |   |   |   |   |   |   |   |   |   |
| MC        | 182293   | UNSHIFT  | 1          | 2 | 3 | 4 | 5 | 6 | 7 | 8 | 9 | @  | MC | & | . | - | ! | A | B | C | D | E | F | G | H | I | : | ; |
|           |          | SHIFT    |            |   |   |   |   |   |   |   |   |    |    |   |   |   |   |   |   |   |   |   |   |   |   |   |   |   |
| MD        | 183588   | UNSHIFT  |            |   |   |   |   |   |   |   |   |    |    |   |   |   |   |   |   |   |   |   |   |   |   |   |   |   |
|           |          | SHIFT    |            |   |   |   |   |   |   |   |   |    |    |   |   |   |   |   |   |   |   |   |   |   |   |   |   |   |
| ME        | 183599   | UNSHIFT  |            |   |   |   |   |   |   |   |   |    |    |   |   |   |   |   |   |   |   |   |   |   |   |   |   |   |
|           |          | SHIFT    |            |   |   |   |   |   |   |   |   |    |    |   |   |   |   |   |   |   |   |   |   |   |   |   |   |   |
| MF        | 183922   | UNSHIFT  |            |   |   |   |   |   |   |   |   |    |    |   |   |   |   |   |   |   |   |   |   |   |   |   |   |   |
|           |          | SHIFT    |            |   |   |   |   |   |   |   |   |    |    |   |   |   |   |   |   |   |   |   |   |   |   |   |   |   |
| MG        | 184685   | UNSHIFT  |            |   |   |   |   |   |   |   |   |    |    |   |   |   |   |   |   |   |   |   |   |   |   |   |   |   |
|           |          | SHIFT    |            |   |   |   |   |   |   |   |   |    |    |   |   |   |   |   |   |   |   |   |   |   |   |   |   |   |
| MH        | 184686   | UNSHIFT  | 1          | 2 | 3 | 4 | 5 | 6 | 7 | 8 | 9 | '  | =  | : | - | & | + | A | B | C | D | E | F | G | H | I | : | ; |
|           |          | SHIFT    |            |   |   |   |   |   |   |   |   |    |    |   |   |   |   |   |   |   |   |   |   |   |   |   |   |   |
| MJ        | 184688   | UNSHIFT  |            |   |   |   |   |   |   |   |   |    |    |   |   |   |   |   |   |   |   |   |   |   |   |   |   |   |
|           |          | SHIFT    |            |   |   |   |   |   |   |   |   |    |    |   |   |   |   |   |   |   |   |   |   |   |   |   |   |   |
| MK        | 184689   | UNSHIFT  |            |   |   |   |   |   |   |   |   |    |    |   |   |   |   |   |   |   |   |   |   |   |   |   |   |   |
|           |          | SHIFT    |            |   |   |   |   |   |   |   |   |    |    |   |   |   |   |   |   |   |   |   |   |   |   |   |   |   |
| ML        | 184690   | UNSHIFT  |            |   |   |   |   |   |   |   |   |    |    |   |   |   |   |   |   |   |   |   |   |   |   |   |   |   |
|           |          | SHIFT    |            |   |   |   |   |   |   |   |   |    |    |   |   |   |   |   |   |   |   |   |   |   |   |   |   |   |
| MN        | 184691   | UNSHIFT  |            |   |   |   |   |   |   |   |   |    |    |   |   |   |   |   |   |   |   |   |   |   |   |   |   |   |
|           |          | SHIFT    |            |   |   |   |   |   |   |   |   |    |    |   |   |   |   |   |   |   |   |   |   |   |   |   |   |   |
| MP        | 184693   | UNSHIFT  |            |   |   |   |   |   |   |   |   |    |    |   |   |   |   |   |   |   |   |   |   |   |   |   |   |   |
|           |          | SHIFT    |            |   |   |   |   |   |   |   |   |    |    |   |   |   |   |   |   |   |   |   |   |   |   |   |   |   |
| MR        | 184695   | UNSHIFT  |            |   |   |   |   |   |   |   |   |    |    |   |   |   |   |   |   |   |   |   |   |   |   |   |   |   |
|           |          | SHIFT    |            |   |   |   |   |   |   |   |   |    |    |   |   |   |   |   |   |   |   |   |   |   |   |   |   |   |
| MS        | 184950   | UNSHIFT  |            |   |   |   |   |   |   |   |   |    |    |   |   |   |   |   |   |   |   |   |   |   |   |   |   |   |
|           |          | SHIFT    |            |   |   |   |   |   |   |   |   |    |    |   |   |   |   |   |   |   |   |   |   |   |   |   |   |   |
| MT        | 184694   | UNSHIFT  | 1          | 2 | 3 | 4 | 5 | 6 | 7 | 8 | 9 | @  | T  | + | & | . | - | ! | A | B | C | D | E | F | G | H | I | : |
|           |          | SHIFT    |            |   |   |   |   |   |   |   |   |    |    |   |   |   |   |   |   |   |   |   |   |   |   |   |   |   |
| MU        | 184692   | UNSHIFT  | 1          | 2 | 3 | 4 | 5 | 6 | 7 | 8 | 9 | @  | MU | & | . | - | ! | A | B | C | D | E | F | G | H | I | : | ; |
|           |          | SHIFT    |            |   |   |   |   |   |   |   |   |    |    |   |   |   |   |   |   |   |   |   |   |   |   |   |   |   |
| MV        | 184696   | UNSHIFT  | 1          | 2 | 3 | 4 | 5 | 6 | 7 | 8 | 9 | '  | =  | : | - | & | + | A | B | C | D | E | F | G | H | I | : | ; |
|           |          | SHIFT    |            |   |   |   |   |   |   |   |   |    |    |   |   |   |   |   |   |   |   |   |   |   |   |   |   |   |
| MW        | 184697   | UNSHIFT  | 1          | 2 | 3 | 4 | 5 | 6 | 7 | 8 | 9 | '  | =  | : | - | & | + | A | B | C | D | E | F | G | H | I | : | ; |
|           |          | SHIFT    |            |   |   |   |   |   |   |   |   |    |    |   |   |   |   |   |   |   |   |   |   |   |   |   |   |   |
| MY        | 184698   | UNSHIFT  | 1          | 2 | 3 | 4 | 5 | 6 | 7 | 8 | 9 | '  | =  | : | - | & | + | A | B | C | D | E | F | G | H | I | : | ; |
|           |          | SHIFT    |            |   |   |   |   |   |   |   |   |    |    |   |   |   |   |   |   |   |   |   |   |   |   |   |   |   |
| AZ        | 184951   | UNSHIFT  | J          | K | M | 5 | 6 | P | Q | 9 | @ | M2 | (  | ) | - | * | A | B | T | D | V | W | G | H | Z | < | > |   |
|           |          | SHIFT    |            |   |   |   |   |   |   |   |   |    |    |   |   |   |   |   |   |   |   |   |   |   |   |   |   |   |
| NA        | 184952   | UNSHIFT  |            |   |   |   |   |   |   |   |   |    |    |   |   |   |   |   |   |   |   |   |   |   |   |   |   |   |
|           |          | SHIFT    |            |   |   |   |   |   |   |   |   |    |    |   |   |   |   |   |   |   |   |   |   |   |   |   |   |   |
| NB        | 184953   | UNSHIFT  |            |   |   |   |   |   |   |   |   |    |    |   |   |   |   |   |   |   |   |   |   |   |   |   |   |   |
|           |          | SHIFT    |            |   |   |   |   |   |   |   |   |    |    |   |   |   |   |   |   |   |   |   |   |   |   |   |   |   |

FIGURE 28. TYPEWHEEL CHART



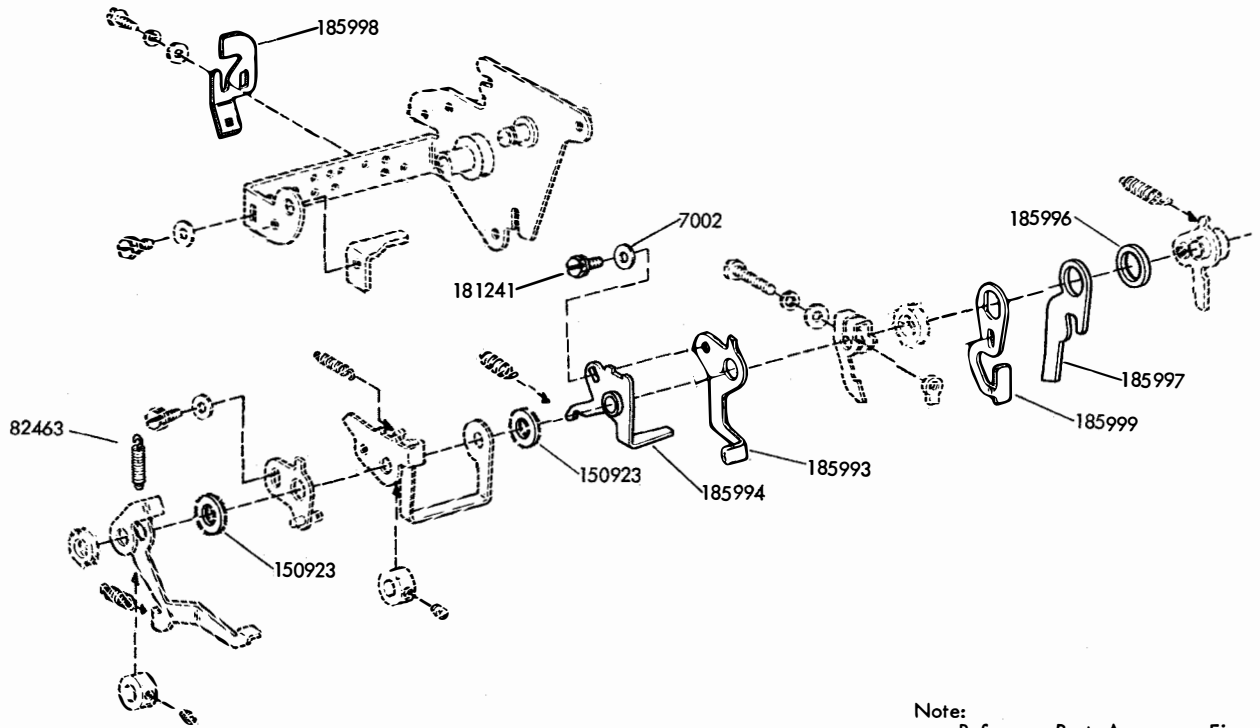


| Modification Kits to equip formout mechanism for various lengths of forms |       |          |             |           |        |
|---|-------|----------|-------------|-----------|--------|
| Form Length in Inches   |       | ① Kit No | Gear w/Gear | Spur Gear |        |
| 11  | 5-1/2 | 3-2/3    | 183877      | 183391    | 183398 |
| 9   | 4-1/2 | 3        | 183878      | 183392    | 183399 |
| 7   | 3-1/2 | 2-1/3    | 183879      | 183393    | 183400 |
| 8   | 4     | 2-2/3    | 183880      | 183394    | 183401 |
| 8 1/2   | —     | 2-5/6    | 183881      | 183395    | 183402 |
| 10  | 5     | 3-1/3    | 183882      | 183396    | 183403 |
| 6   | —     | —        | 183883      | 183397    | 183404 |

① The required number of 183411 cam plates and mounting hardware are furnished with each kit (Specification 50410S)

FIGURE 30. FORMOUT MECHANISM-SPROCKET FEED





Note:  
Reference Parts Appear on Figure 30.

FIGURE 31. LATER DESIGN FORMOUT MECHANISM-SPROCKET FEED

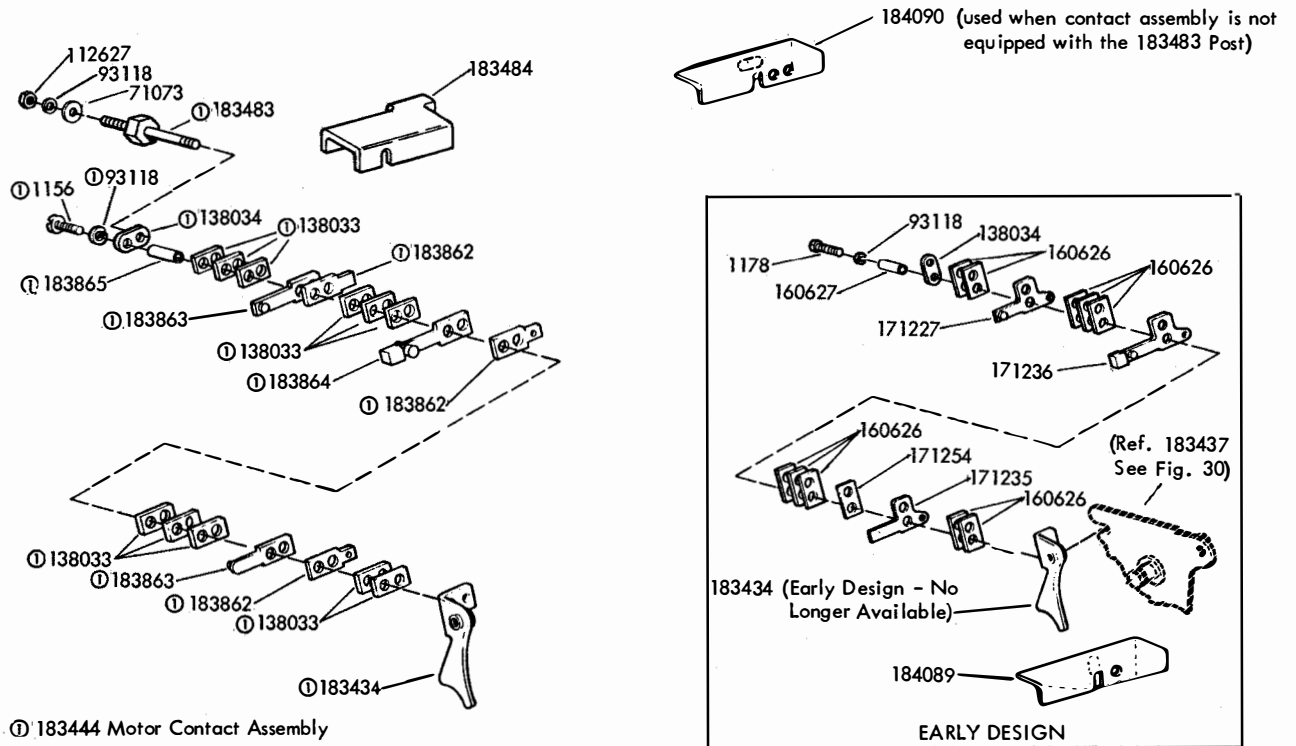


FIGURE 32. MOTOR CONTACT-SPROCKET FEED

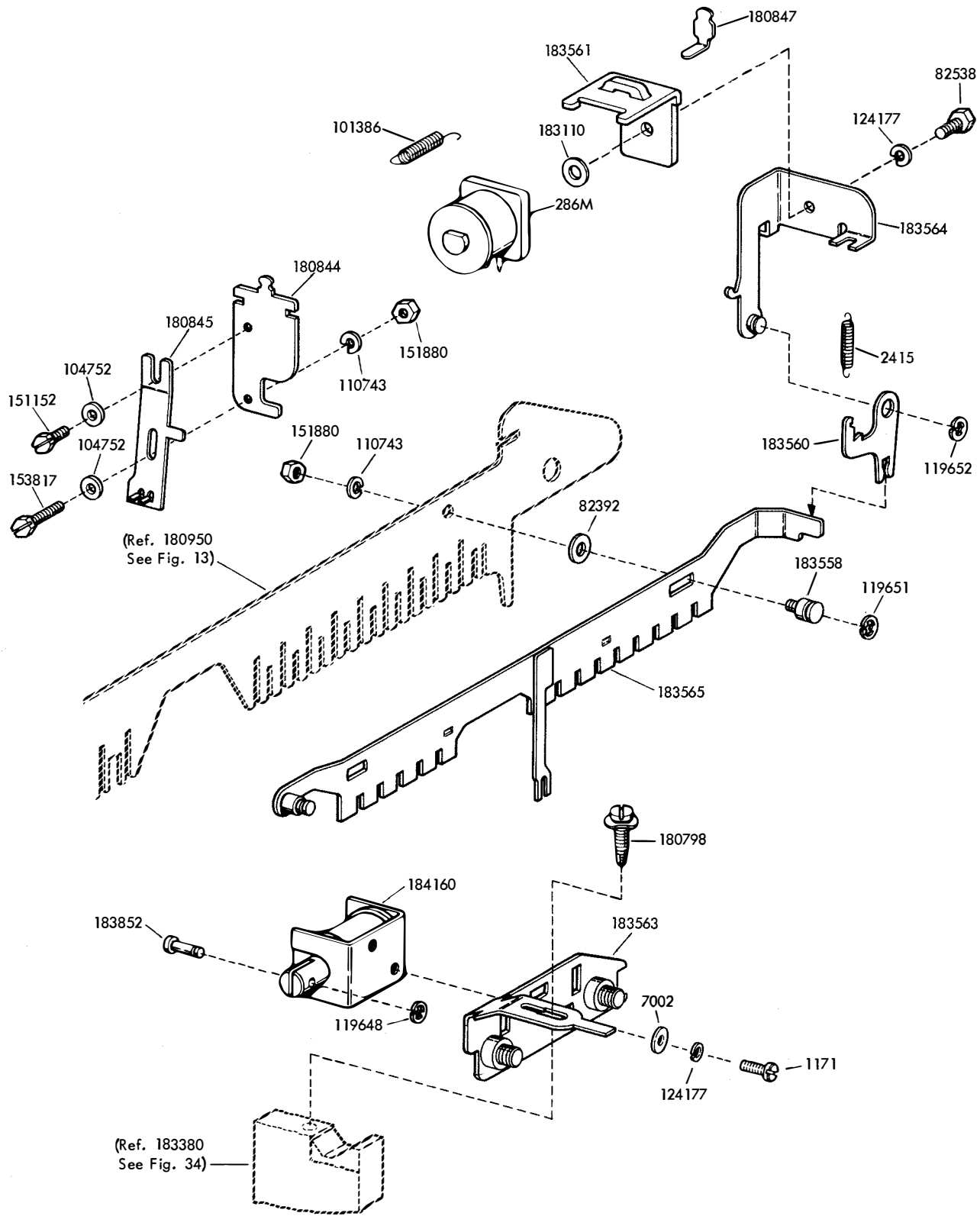


FIGURE 33. SOLENOID PRINT-NONPRINT RESET MECHANISM

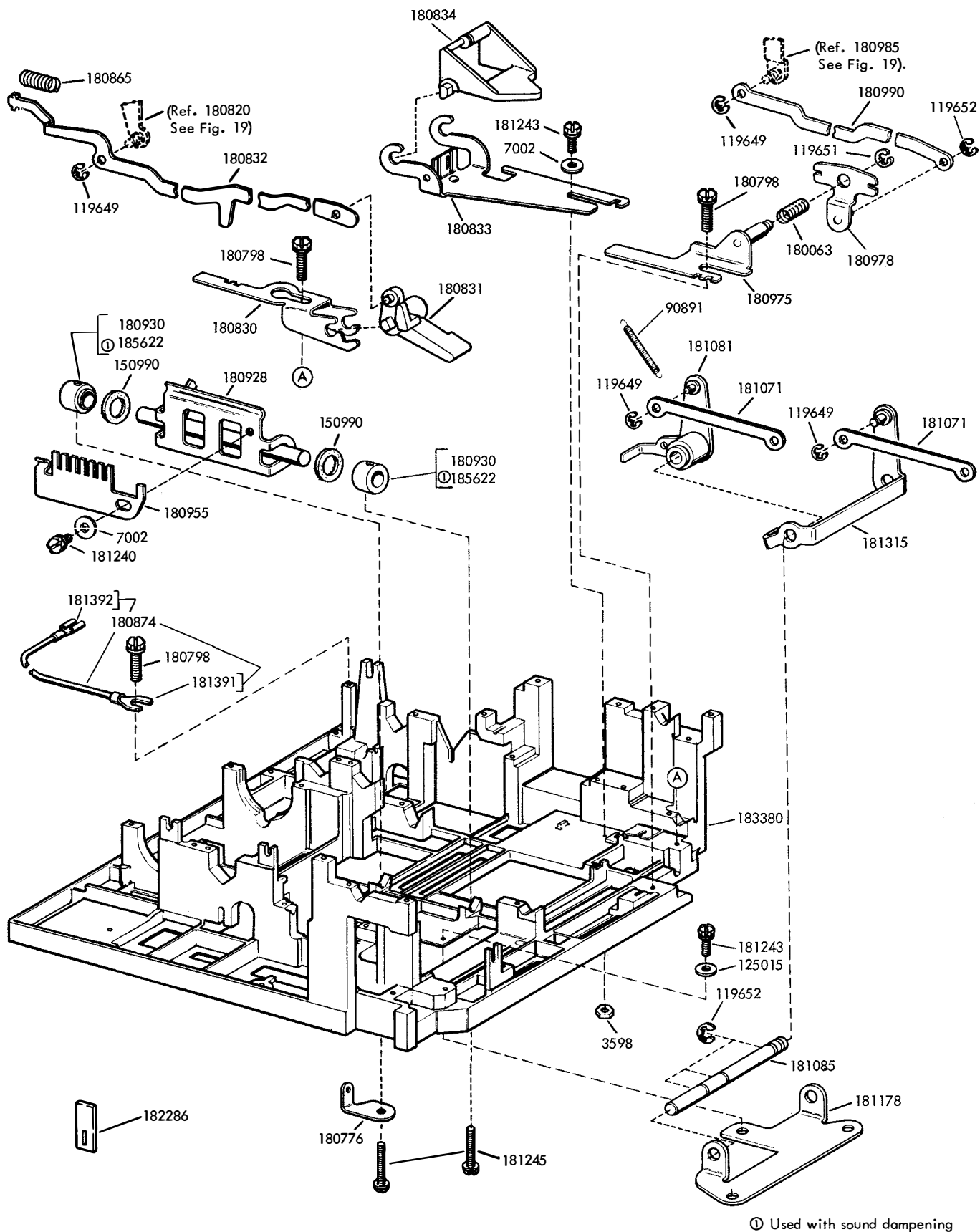


FIGURE 34. BASE

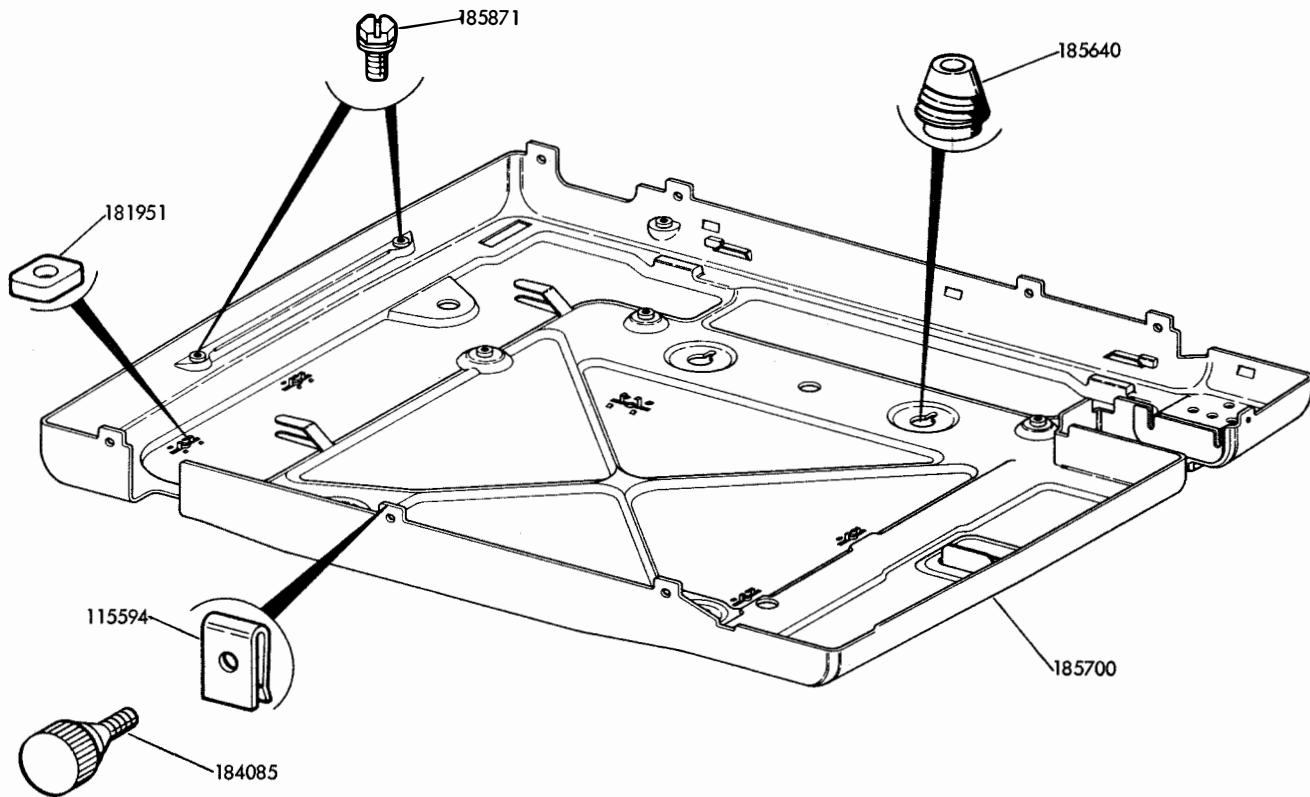
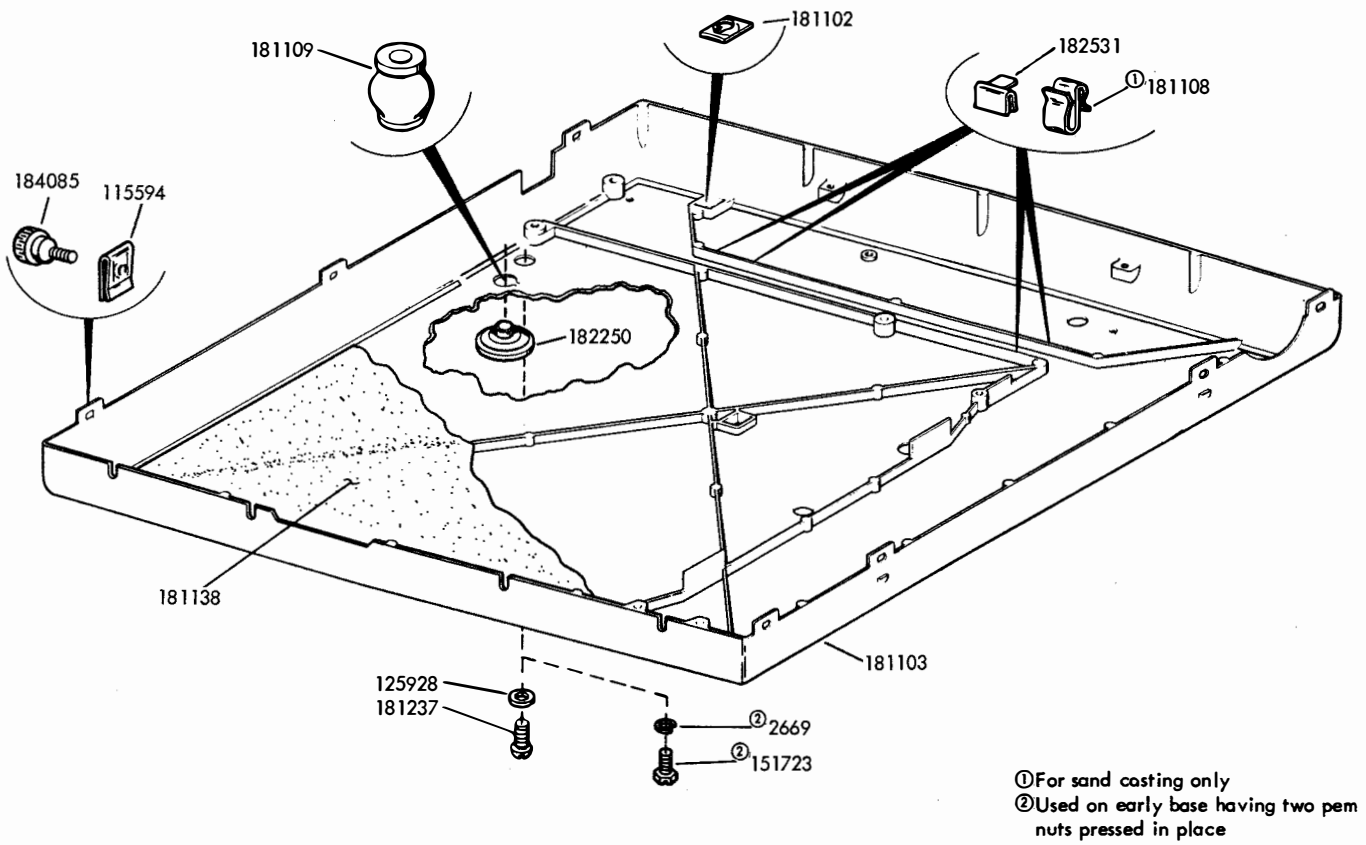
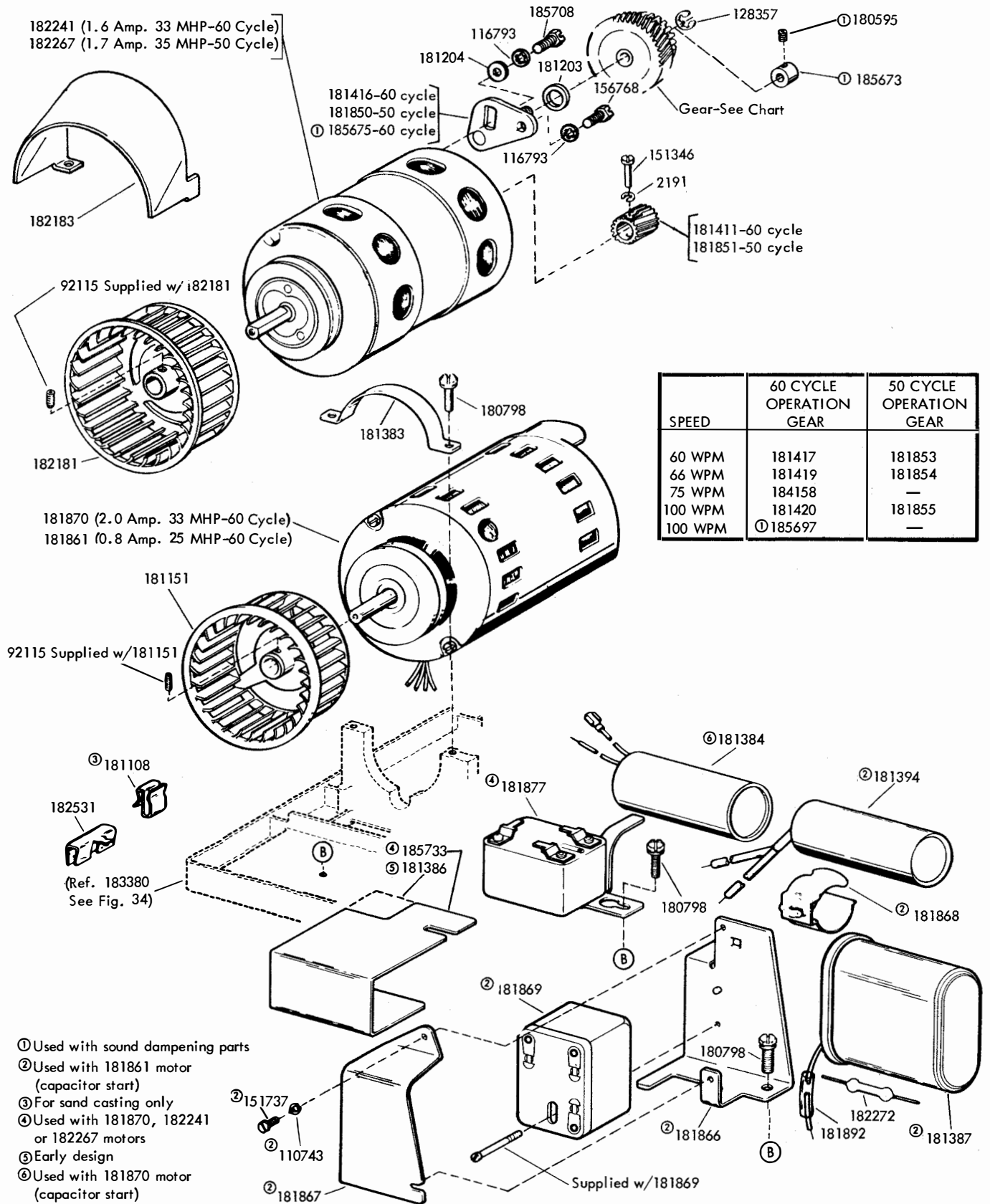


FIGURE 35. SUB BASES



- ① Used with sound dampening parts
- ② Used with 181861 motor (capacitor start)
- ③ For sand casting only
- ④ Used with 181870, 182241 or 182267 motors
- ⑤ Early design
- ⑥ Used with 181870 motor (capacitor start)

FIGURE 36. MOTORS AND ELECTRICAL COMPONENTS

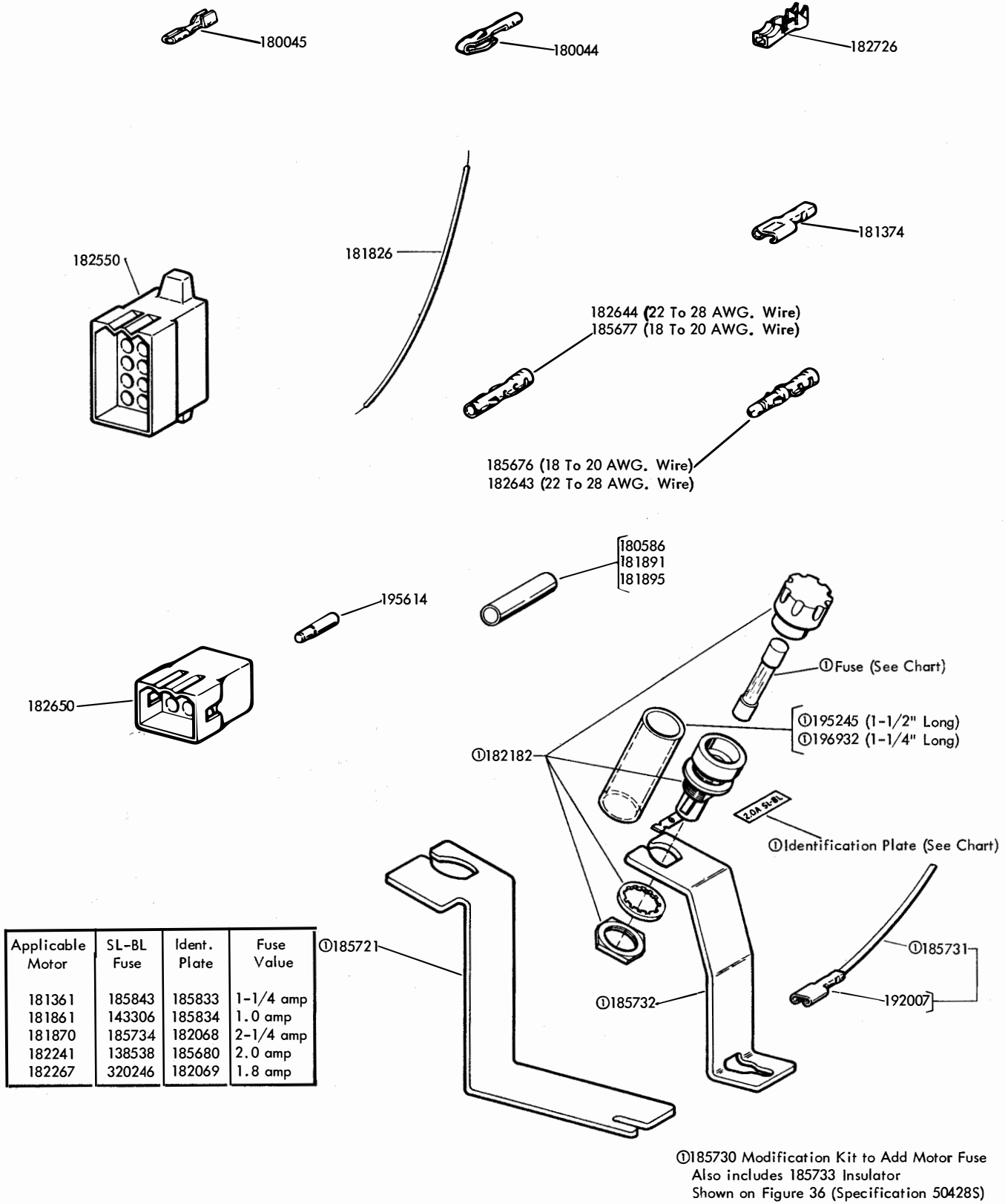


FIGURE 37. CABLE COMPONENTS

## NUMERICAL INDEX

| Part Number | Description and Page Number  | Part Number | Description and Page Number                                   | Part Number | Description and Page Number                     |
|-------------|--|-------------|---|-------------|---|
| 272M        | Coil, Magnet 22  | 86283       | Spring 15   | 150044      | Shoe, Primary Clutch 11, 12, 18, 19             |
| 276M        | Coil, Magnet 21  | 87402       | Spring 21   | 150241      | Spring 11, 12, 18, 19                           |
| 279M        | Coil, Magnet 21  | 90361       | Washer, Felt 23   | 150830      | Bushing, Shoulder 12                            |
| 286M        | Coil, Magnet 30  | 90432       | Washer, Flat 10   | 150841      | Bearing 12                                      |
| 295M        | Coil, Magnet 21  | 90615       | Spring 3  | 150923      | Washer, Felt 29                                 |
| 300M        | Coil, Magnet 21  | 90790       | Washer, Flat 15, 25   | 150930      | Washer, Felt 11, 12, 16                         |
| 1156        | Screw, 2-56 x 9/16 Fil 29  | 90891       | Spring 31   | 150990      | Washer, Felt 31                                 |
| 1171        | Screw, 6-32 x 3/16 Fil 30  | 91120       | Spring 3, 18, 24  | 151152      | Screw, 4-40 x 3/16 Hex 7, 9, 10, 21, 22, 28, 30 |
| 1178        | Screw, 2-56 x 7/16 Fil 29  | 92115       | Screw, 8-32 Set 33  | 151346      | Screw, 6-40 x 3/8 Fil 33                        |
| 1210        | Screw, 2-56 x 5/8 Fil 5  | 93117       | Washer, Lock 3  | 151397      | Spring 17                                       |
| 2034        | Washer, Flat 6, 10, 20, 21, 23                                     | 93118       | Washer, Lock 5, 29  | 151413      | Washer, Flat 10                                 |
| 2167        | Ball, Bearing 9  | 93356       | Washer, Felt 28   | 151603      | Spacer 17                                       |
| 2191        | Washer, Lock 2, 7, 11, 12, 19, 22, 33                              | 93984       | Washer, Lock 19   | 151610      | Washer, Flat 28                                 |
| 2415        | Spring 30  | 98718       | Washer, Flat 19   | 151622      | Nut, 6-32 Sq 11                                 |
| 2605        | Spring 20  | 100759      | Screw, 4-40 x 3/16 Flat 11                                    | 151629      | Nut, 6-40 Lug 6, 13, 28                         |
| 2669        | Washer, Lock 6, 32   | 101386      | Spring 4, 17, 21, 23, 30                                      | 151630      | Screw, 6-40 x 1/4 Hex 9, 25                     |
| 3598        | Nut, 6-40 Hex 2, 4, 6 to 10, 14, 16 to 22, 31                      | 104752      | Washer, Flat 21, 22, 30                                       | 151631      | Screw, 6-40 x 5/16 Hex 3                        |
| 3599        | Nut, 6-40 Hex 4, 6, 7, 9, 15, 20                                   | 104807      | Washer, Flat 4, 7, 21, 25, 28                                 | 151640      | Lever, Shoe Release 19                          |
| 3606        | Nut, 6-40 Hex 2, 8, 25   | 107116      | Washer, Lock 6  | 151658      | Screw, 6-40 x 5/16 Fil 11, 12                   |
| 3608        | Spring 6   | 110435      | Nut, 4-40 Hex 25  | 151693      | Screw, 6-40 x 9/16 Fil 28                       |
| 3646        | Washer, Lock 2, 5  | 110743      | Washer, Lock 4, 6, 7, 9, 10, 15, 20 to 23, 25, 28, 30, 33     | 151722      | Screw, 6-40 x 3/16 Hex 3                        |
| 3864        | Spring 21  | 111410      | Washer, Flat 9, 19  | 151723      | Screw, 10-32 x 3/8 Hex 32                       |
| 4703        | Spring 10  | 111640      | Screw, 2-56 x 7/32 Fil 3                                      | 151728      | Spring 11, 12, 19                               |
| 4708        | Spring 28  | 112626      | Nut, 10-32 Hex 6  | 151731      | Screw, 4-40 x 7/8 Fil 15                        |
| 7001        | Washer, Flat 19  | 112627      | Nut, 2-56 Hex 29  | 151737      | Screw, 4-40 x 11/64 Hex 6, 33                   |
| 7002        | Washer, Flat 2 to 10, 12, 13, 15, 17, 18, 19, 20, 22, 23, 28 to 31 | 112630      | Spring 3  | 151880      | Nut, 4-40 Hex 9, 21, 22, 30                     |
| 7655        | Spring 23  | 112634      | Spring 6  | 152129      | Spring 22                                       |
| 8330        | Washer, Flat 13, 28  | 114107      | Spring 10   | 152425      | Post, Spring 17                                 |
| 22746       | Spring 14  | 115594      | Nut, Speed 32   | 152426      | Nut, 6-40 Self-Locking 17                       |
| 31636       | Spring 5, 20   | 116793      | Washer, Lock 33   | 152441      | Washer, Flat 4                                  |
| 33765       | Washer, Flat 3   | 119648      | Ring, Retaining 8, 10, 19, 22, 28, 30                         | 152888      | Screw, 4-40 x 7/16 Hex 19                       |
| 41732       | Plate, Clamp 21  | 119649      | Ring, Retaining 3, 4, 7 to 10, 12, 13, 15, 16, 17, 20, 25, 31 | 152890      | Washer, Flat 20, 21                             |
| 42661       | Spring 10  | 119651      | Ring, Retaining 2, 3, 4, 6, 7, 8, 10, 11, 23, 28, 30, 31      | 152893      | Screw, 4-40 x 1/4 Hex 6, 15, 21, 23, 28         |
| 44048       | Washer, Flat 2, 5, 20  | 119652      | Ring, Retaining 4, 8, 10, 25, 30, 31                          | 153267      | Washer, Felt 6                                  |
| 45027       | Spring 8   | 119653      | Ring, Retaining 6, 19, 20                                     | 153537      | Screw, 6-40 x 9/32 Hex 26                       |
| 45104       | Spring 28  | 119654      | Ring, Retaining 6, 20   | 153799      | Screw, 4-40 x 21/64 Hex 6, 15                   |
| 49054       | Screw, 2-56 x 3/16 Flat 6  | 121018      | Nut, 4-40 Hex 9   | 153817      | Screw, 4-40 x 3/8 Hex 4, 6, 21, 22, 30          |
| 49420       | Spring 15  | 121100      | Spring 17   | 155750      | Sleeve, 3/32 ID x 1/2" Lg, Insulating 21, 22    |
| 70388       | Spring 10  | 121630      | Washer, Flat 21   | 156169      | Washer, Felt 21                                 |
| 70466       | Spring 10  | 121923      | Spring 25   | 156509      | Washer, Flat 10                                 |
| 71073       | Washer, Flat 29  | 124177      | Washer, Lock 2, 3, 4, 7 to 10, 14 to 18, 20, 21, 25, 28, 30   | 156536      | Screw, 4-40 x 1/8 Fil 9                         |
| 71681       | Spool, Ribbon 6  | 124612      | Screw, 8-32 x 1/2 Hex 2                                       | 156558      | Washer, Felt 10                                 |
| 72468       | Spring 23  | 124681      | Screw, 6-40 Set 4, 6, 12, 13, 16, 28                          | 156572      | Washer, Felt 9                                  |
| 72509       | Washer, Lock 18  | 125011      | Washer, Flat 15, 28   | 156740      | Screw, 6-40 x 7/32 Hex 18, 20                   |
| 72563       | Washer, Felt 28  | 125015      | Washer, Flat 14, 61, 17, 18, 31                               | 156768      | Screw, 8-32 x 9/32 Hex 33                       |
| 74547       | Collar 13  | 125181      | Screw, 2-56 x 3/8 Fil 16                                      | 157899      | Arm, NC Contact 15                              |
| 74700       | Spring 23  | 125206      | Screw, 6-32 x 5/8 Fil 11                                      | 158186      | Screw, 4-40 x 7/32 Fil 4                        |
| 74701       | Spring 10, 12, 16  | 125252      | Spring 15   | 158189      | Washer, Felt 10                                 |
| 74722       | Washer, Flat 4   | 125802      | Washer, Flat 15   | 158772      | Screw, 4-40 x 5/8 Hex 21                        |
| 74882       | Spring 22  | 125928      | Washer, Flat 32   | 160455      | Spring 22                                       |
| 76099       | Washer, Flat 17  | 128357      | Ring, Retaining 21, 28, 33                                    | 160626      | Insulator .031" Thk 29                          |
| 76422       | Spring 13, 22  | 138033      | Insulator, .031" Thk 5, 29                                    | 160627      | Bushing, Insulating 29                          |
| 76461       | Washer, Flat 21, 25  | 138034      | Plate, Clamp 5, 29  | 161346      | Washer, Felt 10                                 |
| 78103       | Screw, 6-40 x 1-3/16 Hex 21  | 138538      | Fuse, SL-BL 2 Amp 34  | 161347      | Washer, Felt 16                                 |
| 80945       | Spring 13  | 143306      | Fuse, 1 Amp SL-BL 34  | 162573      | Retainer 12                                     |
| 81731       | Spring 8, 20   | 150026      | Lever, Shoe Release 11, 12                                    | 162886      | Screw, 4-40 x 7/32 Hex 28                       |
| 82392       | Shim, .004" Thk 30   | 150029      | Wick, Felt 11, 12, 18, 19                                     | 171227      | Spring, Contact 29                              |
| 82463       | Spring 29  | 150040      | Screw, 6-40 x 5/8 Fil 11, 12, 13, 18                          | 171235      | Spring, Contact 29                              |
| 82532       | Screw, 6-40 Shoulder 25  | 150043      | Shoe, Secondary Clutch 11, 12, 18, 19                         | 171236      | Spring, Contact 29                              |
| 82538       | Screw, 6-40 x 5/16 Hex 21, 30                                      |             |   | 171254      | Insulator, .015" Thk 29                         |
| 83877       | Spring 7   |             |   | 171259      | Spring 22                                       |
| 84226       | Spring 3, 20   |             |   | 172591      | Spring, Contact Arm 15                          |
| 84575       | Spring 3, 8, 10, 14  |             |   |             |   |

## NUMERICAL INDEX (Continued)

| Part Number | Description and Page Number       | Part Number | Description and Page Number | Part Number | Description and Page Number   |
|-------------|-----------------------------------|-------------|-----------------------------|-------------|---|
| 180044      | Terminal, Tab Type 22, 34         | 180548      | Plate 7                     | 180717      | Spring 17   |
| 180045      | Terminal, Tab Type 22, 34         | 180549      | Bracket 7                   | 180718      | Spring 18   |
| 180063      | Spring, Compression 31            | 180552      | Post 7                      | 180719      | Spring 17   |
| 180463      | Post, Bail Pivot 10               | 180553      | Spring 9                    | 180721      | Wick, Felt 17   |
| 180464      | Puller, Carriage Return Spring 10 | 180554      | Bushing 7                   | 180727      | Washer, Flat 17   |
| 180466      | Ring, Retaining 9                 | 180555      | Spring 7                    | 180728      | Spring 17   |
| 180467      | Bearing, Ball 9                   | 180556      | Plate, Gauge 9              | 180740      | Bail 15   |
| 180468      | Bearing, Ball 9                   | 180557      | Lever w/Stud 8              | 180741      | Shaft, Function 15, 16, 21  |
| 180469      | Link 8, 9                         | 180558      | Collar 8                    | 180742      | Roller 16   |
| 180470      | Roller 8                          | 180559      | Shaft 8                     | 180743      | Bearing, Right 16   |
| 180471      | Block 9                           | 180562      | Link, Left Ribbon 7         | 180744      | Collar 6, 16  |
| 180473      | Shaft 9                           | 180563      | Stud, Eccentric 7           | 180745      | Arm w/Stud 16   |
| 180474      | Stud 9                            | 180564      | Bracket, Lock 7             | 180746      | Arm w/Bushing 11, 12, 16  |
| 180475      | Bushing 9                         | 180566      | Hub w/Pinion 9              | 180748      | Arm w/Stud 16   |
| 180476      | Screw, 6-40 Spl 8                 | 180568      | Bracket, Guide 7            | 180749      | Arm w/Stud 16   |
| 180477      | Bracket 8                         | 180569      | Spring, Compression 7       | 180750      | Arm w/Studs 16  |
| 180478      | Guide, Nylon 8                    | 180571      | Plate 9                     | 180751      | Arm w/Studs 16  |
| 180479      | Bracket 8, 25                     | 180574      | Stud, Eccentric 9           | 180752      | Lever, Function 16  |
| 180480      | Arm w/Stud 9                      | 180575      | Bearing, Ball 9, 16         | 180754      | Hub 16  |
| 180482      | Arm w/Shaft 7                     | 180576      | Bearing, Ball 9             | 180755      | Hub 16  |
| 180483      | Arm, Stop 8                       | 180578      | Bracket w/Hub 10            | 180761      | Ring, Retaining 16  |
| 180484      | Arm, Stop 8                       | 180579      | Bracket w/Hub 9             | 180763      | Link 23   |
| 180485      | Arm w/Spring 9                    | 180580      | Lever w/Stud 8, 9           | 180767      | Ring, Retaining 13, 15, 23  |
| 180486      | Link 8                            | 180581      | Roller, Typewheel 7         | 180768      | Ring, Retaining 11, 12  |
| 180487      | Stud 9                            | 180584      | Lever 9                     | 180769      | Link, Left 23   |
| 180488      | Shaft 7                           | 180585      | Spring 8                    | 180770      | Link, Right 23  |
| 180489      | Lever w/Pin 6                     | 180586      | Sleeve, 5/32 ID x 21/32 Lg  | 180771      | Arm 15  |
| 180491      | Shaft 9                           |             | Insulating 8, 34            | 180772      | Shaft 15  |
| 180492      | Arm 8                             | 180591      | Spring 7                    | 180773      | Plate 15  |
| 180493      | Lever, Trip 8                     | 180595      | Screw, 4-40 Set 8, 33       | 180774      | Arm, Eccentric Follower 11, 12  |
| 180495      | Link, Ribbon 7                    | 180598      | Typewheel, MA 26            | 180776      | Bracket 31  |
| 180496      | Arm, Stop 8                       | 180606      | Bail 9                      | 180777      | Arm, Drive 16   |
| 180497      | Spring, Print Hammer 7            | 180607      | Arm, Adjusting 9            | 180778      | Plate 15  |
| 180498      | Bracket 6                         | 180608      | Bracket, Left 2, 5          | 180779      | Bracket 15  |
| 180500      | Frame 6 to 9                      | 180610      | Shield 7                    | 180780      | Blade 23  |
| 180501      | Arm w/Stud 7, 8                   | 180641      | Camsleeve 18                | 180781      | Hub 15, 23  |
| 180502      | Head, Print Hammer 7              | 180642      | Bar, Push 17                | 180782      | Shaft, Pivot 23   |
| 180503      | Shaft w/Spacer 7, 9               | 180643      | Lever, Blocking 17          | 180783      | Casting, Function Box 15  |
| 180505      | Plate, Left Guide 7               | 180644      | Lever, Blocking 17          | 180788      | Plate, Rear Rail 15, 25   |
| 180506      | Plate, Right Guide 7              | 180645      | Lever, Selector 17          | 180789      | Roller 15   |
| 180508      | Stud, Eccentric 8                 | 180646      | Lever, Shoe Release 18      | 180791      | Arm w/Stud 15   |
| 180509      | Slide, #3 Pulse 8                 | 180648      | Arm, Follower 13            | 180792      | Pawl, Function 15   |
| 180510      | Slide, Common 8                   | 180649      | Spring 17                   | 180793      | Lever 24  |
| 180511      | Slide, #1 & #2 Pulse 8            | 180654      | Knob, Range 18              | 180794      | Lever, Line Feed 23   |
| 180512      | Slide w/Plates 8                  | 180655      | Plate, Side 17              | 180795      | Bracket, Spring 23  |
| 180513      | Slide, #5 Pulse 8                 | 180657      | Bracket, Guide 17           | 180796      | Clamp 15  |
| 180514      | Slide, #4 Pulse 8                 | 180658      | Shaft, Guide 17             | 180797      | Clamp 16, 23  |
| 180517      | Lever, Latch 8                    | 180661      | Bracket 18                  | 180798      | Screw, 8-32 Self-Tapping 2, 5, 6, 8, 10 to 16, 19, 20, 23, 30, 31, 33 |
| 180518      | Plate 7                           | 180663      | Scale, Range 17             | 180801      | Lever w/Bracket 24  |
| 180519      | Rack 7                            | 180667      | Plate w/Bushing 18          | 180806      | Camsleeve 11  |
| 180520      | Arm 8                             | 180668      | Follower, Cam 18            | 180807      | Camsleeve 11, 12  |
| 180521      | Slide, Print Suppression 8        | 180669      | Lever, Spacing Lock 17      | 180808      | Spacer, .050" Thk 11  |
| 180522      | Bushing 8                         | 180671      | Lever, Start 17             | 180809      | Arm 16  |
| 180526      | Bail w/Stud 9                     | 180672      | Bail 17                     | 180813      | Pawl, Function 15   |
| 180528      | Lever w/Hub 9                     | 180673      | Plate, Front 17, 18         | 180818      | Lever, Function 24  |
| 180534      | Plate, Guide 7                    | 180675      | Screw, #6 Self-Tapping 17   | 180820      | Lever, Control 20, 31   |
| 180537      | Link 8                            | 180676      | Nut, #6 Speed 17            | 180821      | Lever w/Stud 20   |
| 180538      | Shaft 8                           | 180677      | Arm, Trip 18                | 180823      | Block, Contact 22   |
| 180539      | Bail w/Stud 8                     | 180678      | Plate, Spring 17            | 180824      | Contact, Common 22  |
| 180540      | Bail, Print Hammer 7, 8           | 180682      | Upstop 10                   | 180826      | Lever, Detent 22  |
| 180541      | Plate w/Posts 6, 7                | 180684      | Lever, Latch 18             | 180827      | Drum, Answer Back 22  |
| 180543      | Base, Ribbon Unit 6               | 180685      | Nut, 6-40 Spl 18            | 180828      | Pawl, Feed 20   |
| 180544      | Bail, Drive 10                    | 180688      | Core, Magnet 17             | 180829      | Screw, 4-40 Shoulder 20   |
| 180545      | Bracket 10                        | 180691      | Plate 17                    | 180830      | Bracket 31  |
| 180546      | Post 10                           | 180692      | Spring, Flat 17             | 180831      | Lever 31  |
| 180547      | Stud, Eccentric 6                 | 180704      | Armature 17                 | 180832      | Link, Tie 31  |
|             |                                   | 180710      | Plate w/Post 17             |             |   |
|             |                                   | 180715      | Coil, Magnet 17             |             |   |



## NUMERICAL INDEX (Continued)

| Part Number | Description and Page Number     | Part Number | Description and Page Number    | Part Number | Description and Page Number  |
|-------------|---------------------------------|-------------|--------------------------------|-------------|--|
| 180833      | Bracket, Adjusting 31           | 180991      | Cam, Blocking 19               | 181085      | Shaft 31   |
| 180834      | Bail, Trip 31                   | 180992      | Spring, Torsion 19             | 181086      | Lever w/Hub 10   |
| 180835      | Pawl, AB Blocking 15            | 180994      | Spacer, .015" thk 19           | 181088      | Post 10  |
| 180836      | Lever, Blocking Function 24     | 180995      | Spacer, .114" thk 19, 21, 22   | 181089      | Arm w/Hub 10   |
| 180837      | Link, Blocking 20               | 180997      | Disk w/Plate 19                | 181091      | Link w/Post, Toggle 10   |
| 180838      | Lever, Function 24              | 180998      | Clamp 16, 19                   | 181092      | Bracket, Belt 6  |
| 180842      | Spacer, .050" Thk 22            | 180999      | Bearing, Left 16               | 181093      | Bracket, Extension 6   |
| 180843      | Lever, Trip 20, 22              | 181000      | Drum, Clutch 11, 12, 18        | 181094      | Bracket w/Post 10  |
| 180844      | Armature 21, 22, 30             | 181001      | Bearing 11, 12                 | 181102      | Fastener, Screw 32   |
| 180845      | Extension, Armature 30          | 181002      | Bearing 11, 12                 | 181103      | Cover, Base 32   |
| 180847      | Bracket, Spring 21, 22, 30      | 181003      | Lever, Latch 13                | 181104      | Clip, Cable 21   |
| 180850      | Bracket, Magnet 21, 22          | 181004      | Hub 13                         | 181108      | Clip, Cable 32, 33   |
| 180854      | Brace 22                        | 181005      | Link, Carriage 10, 11          | 181109      | Mount, Vibration 32  |
| 180855      | Latch, Blocking 22              | 181006      | Bushing 13                     | 181111      | Pawl, Feed 6   |
| 180858      | Contact, Wire 22                | 181007      | Shaft, Main 11, 18             | 181113      | Spring, Compression 6  |
| 180860      | Spring 20, 28                   | 181008      | Collar 11, 12                  | 181114      | Lever 6  |
| 180861      | Spring 20                       | 181010      | Lever w/Stud 13                | 181115      | Stud 6   |
| 180862      | Spring 22                       | 181011      | Lever w/Nut 13                 | 181116      | Arm, Reverse 6   |
| 180863      | Spring 15, 20                   | 181012      | Spacer 13                      | 181117      | Pawl, Retaining 6  |
| 180864      | Spring, Extension 20            | 181013      | Spacer, .453" thk 13           | 181118      | Spring 6   |
| 180865      | Coil, Adjusting 31              | 181014      | Grommet, Rubber 13             | 181119      | Spring 6   |
| 180874      | Strap, 4-1/2" Braided 31        | 181015      | Gear, 35T 11, 12               | 181120      | Spring, Compression 4, 6   |
| 180920      | Shaft 14                        | 181017      | Plate 13                       | 181121      | Pin 6  |
| 180922      | Spring 14                       | 181018      | Shaft 13                       | 181122      | Disk 6   |
| 180923      | Bracket w/Studs 14              | 181019      | Lever, Trip 13                 | 181123      | Nut, 4-40 Spl 6  |
| 180925      | Clamp 14                        | 181020      | Lever 13                       | 181124      | Post 6   |
| 180926      | Ring, Retaining 14              | 181021      | Spacer, .406" thk 13           | 181125      | Ratchet, Left Ribbon 6   |
| 180927      | Ring, Retaining 13, 14          | 181022      | Bracket, Left 11, 12, 13       | 181126      | Ratchet, Right Ribbon 6  |
| 180928      | Bail 31                         | 181023      | Bracket, Right 13              | 181129      | Ribbon w/Spool 6   |
| 180930      | Bearing 31                      | 181028      | Camsleeve 11                   | 181138      | Pad 32   |
| 180932      | Bar, #8-1 Code 14               | 181037      | Bracket, Right 2               | 181151      | Fan 33   |
| 180933      | Bar, #8-2 Code 14               | 181038      | Bracket, Left 2, 5, 9          | 181164      | Shaft w/Link 3   |
| 180934      | Bar, #8-3 Code 14               | 181039      | Knob, Platen 2                 | 181165      | Pawl, Feed 3   |
| 180935      | Bar, #8-4 Code 14               | 181040      | Pawl, Detent 2, 4              | 181166      | Bracket, Line Feed 3   |
| 180936      | Bar, #8-5 Code 14               | 181041      | Retainer 2, 4                  | 181168      | Bellcrank w/Studs 3  |
| 180937      | Bar, #8-6 Code 14               | 181042      | Tip, Rubber 3, 25              | 181172      | Lever, Function 24   |
| 180938      | Bar, #7 Code 14                 | 181044      | Roller, Pressure 3             | 181173      | Stud, Feed Pawl Stop 2   |
| 180939      | Bar, #8 Code 14                 | 181045      | Post, Support 2, 5, 21         | 181174      | Guide 16   |
| 180947      | Bar, Print Suppression Code 14  | 181048      | Bracket, Stop 2                | 181175      | Plate, Stripper 3  |
| 180948      | Bar, Auto CR & EOL Bell Code 14 | 181049      | Arm, Right 3                   | 181176      | Link, Adjusting 3  |
| 180949      | Bracket, Rear Tie 14            | 181050      | Arm, Left 3                    | 181178      | Bracket 31   |
| 180950      | Bracket, Front Tie 14, 30       | 181051      | Bracket, Left 3                | 181179      | Lever, Blocking 23   |
| 180955      | Bracket 31                      | 181052      | Plate 2, 25                    | 181191      | Spring, Compression 9  |
| 180956      | Spring 4, 14, 28                | 181053      | Bail, Paper Straightener 3     | 181193      | Cylinder 2   |
| 180957      | Bracket, Spring 14              | 181054      | Shaft, Pressure 3              | 181194      | Washer, Flat 9   |
| 180958      | Nut, 6-40 Lug 17                | 181055      | Bar 2, 3                       | 181195      | Washer, Cup 9  |
| 180959      | Bracket 17                      | 181056      | Plate, Pressure Roller Guide 3 | 181196      | Ring, Retaining 9  |
| 180964      | Roller 19                       | 181057      | Bracket, Right 3               | 181197      | Plate, Adjusting 2, 5  |
| 180967      | Shaft, Distributor 19           | 181058      | Plate, Paper Guide 3           | 181198      | Bumper 9   |
| 180968      | Buffer 20                       | 181062      | Eccentric, Toggle Link 10      | 181199      | Piston 9   |
| 180969      | Bearing 19                      | 181065      | Pawl, Check 10                 | 181203      | Washer, Flat 33  |
| 180970      | Bearing 19                      | 181066      | Shaft, Spacing Drum 6          | 181204      | Washer, Flat 33  |
| 180971      | Shaft, Trip 20, 22              | 181067      | Pawl, Feed 10                  | 181220      | Lever, Blocking 24   |
| 180972      | Clamp, Buffer 20                | 181068      | Lever w/Post 10                | 181230      | Plate 10   |
| 180975      | Bracket w/Stud 31               | 181069      | Drum, Spacing 6                | 181231      | Screw, 8-32 Self-Tapping 16, 21  |
| 180978      | Lever w/Stud 31                 | 181070      | Lever, Suppression 10          | 181237      | Screw, 1/4-14 Self-Tapping 32  |
| 180979      | Brush, Carbon 19                | 181071      | Link 10, 31                    | 181240      | Screw w/Lockwasher, 6-40 x 3/16 Hex 2, 5, 10, 15, 17, 23, 28, 31             |
| 180980      | Holder, Brush 19                | 181072      | Bracket w/Post 6               | 181241      | Screw w/Lockwasher, 6-40 x 1/4 Hex 8, 9, 10, 12, 13, 15, 17, 20, 25, 28, 29  |
| 180981      | Arm, Stop 20                    | 181074      | Pulley 6                       | 181242      | Screw w/Lockwasher, 6-40 x 5/16 Hex 2 to 5, 7, 8, 11, 12, 16, 17, 19, 20, 21 |
| 180982      | Bail, Trip 20                   | 181075      | Belt, 127T 6                   | 181243      | Screw w/Lockwasher, 6-40 x 3/8 Hex 6, 16, 21, 22, 28, 31                     |
| 180983      | Lever, Latch 20                 | 181076      | Roller 10                      |             |  |
| 180985      | Lever, Follower 20, 31          | 181077      | Ratchet, Spacing 6             |             |  |
| 180987      | Disk 19, 22                     | 181078      | Stud 10                        |             |  |
| 180988      | Bracket, Spring 20              | 181079      | Washer, Flat 6                 |             |  |
| 180989      | Screw, #6 Spl 19, 22            | 181081      | Arm w/Hub and Post 31          |             |  |
| 180990      | Link, Keyboard 31               | 181082      | Eccentric, Toggle Link 10      |             |  |
|             |                                 | 181083      | Lever 24                       |             |  |
|             |                                 | 181084      | Bracket 6                      |             |  |

## NUMERICAL INDEX (Continued)

| Part Number | Description and Page Number                     | Part Number | Description and Page Number               | Part Number | Description and Page Number       |
|-------------|---|-------------|---|-------------|-----------------------------------|
| 181245      | Screw w/Lockwasher, 6-40 x 1/2 Hex 2, 7, 21, 31 | 181525      | Guide, Paper 3                            | 182286      | Insulator, .032" Thk 22, 31       |
| 181246      | Screw w/Lockwasher, 6-40 x 5/8 Hex 12, 13       | 181570      | Lever 24                                  | 182290      | Modification Kit 15, 24           |
| 181247      | Screw w/Lockwasher, 6-40 x 11/16 Hex 11         | 181571      | Lever 24                                  | 182291      | Modification Kit 15, 24           |
| 181249      | Screw w/Lockwasher, 6-40 x 1 Hex 21             | 181572      | Lever 24                                  | 182293      | Typewheel, MC 26                  |
| 181250      | Screw, #2 Self-Tapping 15                       | 181573      | Lever 24                                  | 182310      | Bar, #8-1 Code 14, 21             |
| 181278      | Clamp 15  | 181574      | Lever 24                                  | 182311      | Bar, #8-2 Code 14                 |
| 181279      | Bracket 21                                      | 181575      | Lever 23                                  | 182312      | Bar, #8-3 Code 14                 |
| 181284      | Spring 18                                       | 181576      | Lever 24                                  | 182313      | Bar, #8-4 Code 14                 |
| 181286      | Bushing 15                                      | 181580      | Lever 24                                  | 182314      | Bar, #8-5 Code 14                 |
| 181304      | Latch 25  | 181581      | Lever 24                                  | 182315      | Bar, #8-6 Code 14                 |
| 181305      | Spring 25                                       | 181582      | Lever 24                                  | 182316      | Bar, #7 Code 14                   |
| 181307      | Lever w/Post 25                                 | 181583      | Lever 24                                  | 182317      | Bar, #8 Code 14                   |
| 181312      | Latch, Carriage Return 6                        | 181586      | Pawl, Blocking 15                         | 182318      | Bar, R Code 14                    |
| 181314      | Link w/Post 10                                  | 181587      | Lever, Blocking 24                        | 182531      | Clip, Speed 32, 33                |
| 181315      | Bail w/Post 31                                  | 181826      | Jumper, 2" Black 34                       | 182540      | Connector, 15 Pt Plug Type 22, 34 |
| 181316      | Shaft 10  | 181850      | Plate w/Stud 33                           | 182643      | Terminal, Plug Type 22, 34        |
| 181317      | Hub, Carriage Return Lever 10                   | 181851      | Gear, 17T 33                              | 182644      | Terminal, Receptacle Type 34      |
| 181318      | Lever, Actuating 24                             | 181853      | Pulley w/66T Gear, 16T 33                 | 182650      | Connector, 6 Pt Plug Type 34      |
| 181319      | Lever, Carriage Return 10                       | 181854      | Pulley w/60T Gear, 16T 33                 | 182677      | Cable w/Terminals 22              |
| 181320      | Lever, Unlatch 10                               | 181855      | Pulley w/40T Gear, 16T 33                 | 182726      | Terminal, Receptacle Type 34      |
| 181322      | Pawl, Function 15                               | 181861      | Motor, 115V AC Synchronous 33, 34         | 182894      | Link 21                           |
| 181323      | Spring 8  | 181866      | Bracket 33                                | 182895      | Plate w/Bushing 21                |
| 181324      | Pawl, Function 15                               | 181867      | Insulator 33                              | 182898      | Arm 21                            |
| 181325      | Pawl, Function 15                               | 181868      | Clip, Speed 33                            | 182900      | Link w/Post 21                    |
| 181326      | Arm 6   | 181869      | Relay, Motor Start 33                     | 182902      | Spacer, .469" Thk 21              |
| 181328      | Lever 10  | 181870      | Motor, 115V AC Synchronous 33, 34         | 182955      | Link, Support 21                  |
| 181361      | Motor, 115V AC Synchronous 34                   | 181877      | Relay w/Bracket 33                        | 182957      | Plate 21                          |
| 181374      | Terminal, Tab Type 34                           | 181891      | Sleeve, 3/16 ID x 2-1/2" Lg Insulating 34 | 182958      | Spacer 21                         |
| 181383      | Clamp, Motor 33                                 | 181892      | Sleeve, 9/64 ID x 1" Lg Insulating 33     | 182960      | Plate 21                          |
| 181384      | Capacitor, 88-108 MFD 33                        | 181895      | Sleeve, 9/64 ID x 3/8" Lg Insulating 34   | 182961      | Sleeve 21                         |
| 181386      | Insulator 33                                    | 181951      | Insert, Nylon 32                          | 182964      | Arm Assembly, Drive 1, 21         |
| 181387      | Capacitor, 5 MFD 33                             | 181952      | Stud 2                                    | 183052      | Bracket, Contact 21               |
| 181391      | Terminal 31                                     | 181954      | Typewheel, NJ 6, 27                       | 183053      | Stiffener, Front 21               |
| 181392      | Terminal, Tab Type 31                           | 181955      | Washer, Pulley 6                          | 183054      | Stiffener, Rear 21                |
| 181394      | Capacitor, 47-56 MFD 33                         | 181956      | Drum, Spacing 6                           | 183055      | Spring, Contact 21                |
| 181405      | Plate 13  | 181957      | Belt, 151T 6                              | 183056      | Spring, Contact 21                |
| 181406      | Roller 13                                       | 181983      | Screw, 6-40 x 5/8 Spl 15                  | 183057      | Insulator, .031" Thk 21           |
| 181407      | Spring 19                                       | 182020      | Clutch Assembly 18                        | 183058      | Insulator, .062" Thk 21           |
| 181409      | Belt, 47T 19                                    | 182037      | Switch Assembly, Contact 15               | 183059      | Bushing, Insulating 21            |
| 181411      | Pinion, 18T 33                                  | 182047      | Clutch Assembly 11, 12                    | 183060      | Terminal, Lug 21                  |
| 181413      | Drum, Clutch 19                                 | 182056      | Modification Kit 6                        | 183062      | Cover, Contact 21                 |
| 181414      | Pulley, 34T 19                                  | 182068      | Plate, Identification 34                  | 183098      | Lever, Trip 21                    |
| 181416      | Plate w/Stud 33                                 | 182069      | Plate, Identification 34                  | 183110      | Shim, .004" Thk 21, 30            |
| 181417      | Pulley w/68T Gear, 13T 33                       | 182137      | Contact Assembly 21                       | 183130      | Insulator 21                      |
| 181419      | Pulley w/62T Gear, 13T 33                       | 182181      | Fan 33                                    | 183301      | Plate, Paper Guide 4              |
| 181420      | Pulley w/54T Gear, 17T 33                       | 182182      | Holder, Fuse 34                           | 183303      | Knob, Disengaging 4               |
| 181424      | Nut, 6-40 Sq 11, 12                             | 182183      | Deflector, Air 33                         | 183304      | Knob, Sprocket 4                  |
| 181425      | Plate 11  | 182237      | Pawl, Function 15                         | 183308      | Plate, Right 4, 5                 |
| 181426      | Plate, Spacer 11                                | 182239      | Lever, Latch 20                           | 183309      | Plate, Left 4, 5                  |
| 181427      | Plate, Nut 11                                   | 182240      | Lever 20                                  | 183310      | Platen 4                          |
| 181440      | Bracket, Switch 16                              | 182241      | Motor, 60 Cycle Synchronous 33, 34        | 183313      | Bar 4                             |
| 181441      | Switch 16                                       | 182244      | Lever, Cam Follower 20                    | 183314      | Guide, Right Paper 4              |
| 181449      | Plate, Contact 15                               | 182250      | Foot, Rubber 32                           | 183315      | Guide, Left Paper 4               |
| 181450      | Block, Contact 15                               | 182262      | Arm, Stop 20                              | 183316      | Bracket 4                         |
| 181460      | Plate w/Post 15                                 | 182263      | Bracket 20                                | 183317      | Bracket, Right 4                  |
| 181461      | Gong 15   | 182264      | Stud 20                                   | 183318      | Bracket, Left 4                   |
| 181464      | Clapper 15                                      | 182267      | Motor, 50 Cycle Synchronous 33, 34        | 183319      | Detent, 21T 4                     |
| 181500      | Link, Drive 3                                   | 182268      | Lever, Cam Follower 20                    | 183320      | Pulley, 21T 4                     |
| 181501      | Upstop, Line Feed Link 3                        | 182269      | Modification Kit 20                       | 183321      | Sprocket, Feed 4                  |
| 181503      | Bracket, Guide 23                               | 182272      | Resistor, 10 Ohm 33                       | 183322      | Pulley, 21T 4                     |
| 181521      | Spring, Platen 3                                | 182276      | Lever, Answer Back Trip 20, 22            | 183323      | Bracket, Right 5                  |
| 181522      | Guide, Paper 3                                  | 182277      | Spring 20                                 | 183324      | Arm, Reverse 6                    |
| 181523      | Spring 2, 4                                     | 182280      | Typewheel, MB 26                          | 183326      | Guide, Bracket 7                  |
| 181524      | Nut, 2-56 Shoulder 3                            |             |   | 183330      | Guide 6                           |

## NUMERICAL INDEX (Continued)

| Part Number | Description and Page Number  | Part Number | Description and Page Number | Part Number | Description and Page Number             |
|-------------|--|-------------|-----------------------------|-------------|---|
| 183335      | Guide, Left 4  | 183434      | Bracket, Contact Switch 29  | 184006      | Screw, 8-32 Self-Tapping 10, 13, 15, 22 |
| 183336      | Guide, Right 4   | 183435      | Bail, Contact Switch 28     | 184085      | Screw, 8-32 Thumb 32                    |
| 183338      | Knob w/Pin 4   | 183436      | Bracket 28                  | 184088      | Spring 28                               |
| 183339      | Plunger Assembly 4   | 183437      | Bracket 28, 29              | 184089      | Shield 29                               |
| 183341      | Wheel, Idler 4   | 183438      | Stud 4                      | 184090      | Shield 29                               |
| 183346      | Ring, Retaining 4  | 183442      | Lever w/Hub 4               | 184096      | Bracket 10                              |
| 183349      | Washer, Felt 4   | 183443      | Bracket 5                   | 184148      | Contact, Wire 22                        |
| 183351      | Stud, Idler 4  | 183444      | Contact Assembly 29         | 184157      | Modification Kit 23                     |
| 183352      | Guide, Paper 4   | 183445      | Contact Assembly 5          | 184158      | Pulley w/58T Gear, 16T 33               |
| 183356      | Washer, Supporting 4   | 183448      | Pointer 28                  | 184160      | Solenoid 30                             |
| 183357      | Spring, Compression 4  | 183449      | Plate, Index 28             | 184201      | Lever 20                                |
| 183358      | Plate 5  | 183450      | Screw, 4-40 x 7/32 Flat 12  | 184251      | Lever w/Bracket 24                      |
| 183360      | Arm 16   | 183454      | Retainer, Spring 4          | 184252      | Lever 24                                |
| 183361      | Disk 12  | 183457      | Plate 28                    | 184280      | Knob Assembly 4                         |
| 183364      | Pulley w/20T Gear, 30T 28  | 183458      | Plate, Stop 28              | 184685      | Typewheel, MG 26                        |
| 183367      | Pulley w/28T Gear, 21T 28  | 183462      | Screw, 8-32 x 5/16 Hex 5    | 184686      | Typewheel, MH 26                        |
| 183369      | Pulley w/35T Gear, 21T 28  | 183463      | Cylinder 5                  | 184688      | Typewheel, MJ 26                        |
| 183371      | Bearing, Sleeve 12   | 183464      | Post, Spring 28             | 184689      | Typewheel, MK 26                        |
| 183372      | Lever, Shoe Release 12   | 183465      | Spacer 28                   | 184690      | Typewheel, ML 26                        |
| 183373      | Disk, 6 Stop 12  | 183466      | Bracket 28                  | 184691      | Typewheel, MN 26                        |
| 183374      | Disk, 6 Stop 12  | 183467      | Insulator 28                | 184692      | Typewheel, MU 26                        |
| 183376      | Collar 12  | 183468      | Lever, Strip 23             | 184693      | Typewheel, MP 26                        |
| 183377      | Collar 28  | 183469      | Plate 23                    | 184694      | Typewheel, MT 26                        |
| 183378      | Belt, 41T 28   | 183474      | Modification Kit 6, 7       | 184695      | Typewheel, MR 26                        |
| 183379      | Belt, 50T 28   | 183483      | Post 29                     | 184696      | Typewheel, MV 26                        |
| 183380      | Castings, Frame 2, 5, 6, 8, 10 to 14, 16, 17, 19, 20, 22, 23, 30, 31, 33 | 183484      | Cover, Contact 29           | 184697      | Typewheel, MW 26                        |
| 183381      | Washer, Flat 12  | 183492      | Clutch Assembly 12          | 184698      | Typewheel, MY 27                        |
| 183382      | Shaft, Main 12   | 183495      | Bar, Code 14                | 184867      | Keytop 15, 24                           |
| 183383      | Pulley, 15T 12   | 183496      | Bar, Code 14                | 184950      | Typewheel, MS 26                        |
| 183384      | Disk 28  | 183497      | Bar, Code 14                | 184951      | Typewheel, MZ 27                        |
| 183385      | Arm, Stop 28   | 183498      | Bar, Code 14, 25            | 184952      | Typewheel, NA 27                        |
| 183387      | Pawl, Function 15  | 183499      | Lever, Blocking 23          | 184953      | Typewheel, NB 27                        |
| 183388      | Pawl, Function 15  | 183503      | Housing, Bearing 9          | 184954      | Typewheel, NC 27                        |
| 183389      | Arm 12   | 183504      | Retainer, Bearing 9         | 184955      | Typewheel, ND 27                        |
| 183390      | Arm w/Stud 16  | 183510      | Cable Assembly 22           | 184956      | Typewheel, NE 27                        |
| 183391      | Gear, 16T 28   | 183552      | Lever 24                    | 184957      | Typewheel, NF 27                        |
| 183392      | Gear, 20T 28   | 183558      | Post 30                     | 184958      | Typewheel, NG 27                        |
| 183393      | Gear, 40T 28   | 183560      | Lever 30                    | 184959      | Typewheel, NH 27                        |
| 183394      | Gear, 20T 28   | 183561      | Bracket, Magnet 30          | 184960      | Typewheel, NK 27                        |
| 183395      | Gear, 24T 28   | 183563      | Bracket 30                  | 184961      | Typewheel, NL 27                        |
| 183396      | Gear, 20T 28   | 183564      | Bracket w/Stud 30           | 184962      | Typewheel, NM 27                        |
| 183397      | Gear, 24T 28   | 183565      | Bar w/Link 30               | 184963      | Typewheel, NP 27                        |
| 183398      | Gear, 44T 28   | 183588      | Typewheel, MD 26            | 184964      | Typewheel, NR 27                        |
| 183399      | Gear, 45T 28   | 183599      | Typewheel, ME 26            | 184965      | Typewheel, NS 27                        |
| 183400      | Gear, 70T 28   | 183851      | Retainer, Left 23           | 184966      | Typewheel, NT 27                        |
| 183401      | Gear, 40T 28   | 183852      | Pin 30                      | 184967      | Typewheel, NU 27                        |
| 183402      | Gear, 51T 28   | 183853      | Retainer, Right 23          | 184979      | Typewheel, PG 27                        |
| 183403      | Gear, 50T 28   | 183861      | Plate, Stop 5               | 184983      | Typewheel, PM 27                        |
| 183404      | Gear, 36T 28   | 183862      | Terminal 5, 29              | 184984      | Typewheel, PN 27                        |
| 183405      | Bail 28  | 183863      | Spring, Contact 5, 29       | 184985      | Typewheel, PR 27                        |
| 183406      | Bracket, Stop 28   | 183864      | Spring, Contact 5, 29       | 184986      | Typewheel, PT 27                        |
| 183407      | Arm 28   | 183865      | Bushing, Insulating 5 29    | 185622      | Bearing 31                              |
| 183408      | Arm 12   | 183876      | Screw, Screw, 6-32 Set 4    | 185624      | Bail, Stop 20                           |
| 183409      | Arm, Latch 28  | 183877      | Modification Kit 28         | 185626      | Bearing 19                              |
| 183411      | Plate, Cam 28  | 183878      | Modification Kit 28         | 185627      | Disk 19, 22                             |
| 183415      | Roller 19  | 183879      | Modification Kit 28         | 185629      | Plate, Side 17                          |
| 183418      | Shaft, Distributor 19  | 183880      | Modification Kit 28         | 185630      | Plate, Front 17                         |
| 183422      | Roller 28  | 183881      | Modification Kit 28         | 185631      | Plate w/Bushing 18                      |
| 183423      | Bracket, Spring 28   | 183882      | Modification Kit 28         | 185632      | Knob 18                                 |
| 183425      | Clamp 15, 16   | 183883      | Modification Kit 28         | 185633      | Lever w/Bushing 18                      |
| 183426      | Clamp 15   | 183884      | Spring 28                   | 185634      | Bracket 18                              |
| 183428      | Shaft 28   | 183887      | Bail, L.F. 28               | 185640      | Mount, Vibration 32                     |
| 183429      | Bail 28  | 183922      | Typewheel, MF 26            | 185673      | Collar 33                               |
| 183430      | Arm 28   | 183993      | Camsleeve 11, 12            | 185675      | Plate w/Stud 33                         |
| 183431      | Bail, Clutch Latch 28  | 183994      | Link 9, 10, 11, 12          | 185676      | Terminal, Plug Type 21, 22, 34          |
| 183432      | Bail, Reset 28   | 183995      | Lever 9                     | 185677      | Terminal, Receptacle Type 34            |
| 183433      | Bracket, Side 28   | 183996      | Link, Toggle 10             | 185680      | Plate, Identification 34                |
|             |  | 183998      | Clutch Assembly 11, 12      |             |   |
|             |  | 183999      | Spacer, .050" Thk 11, 12    |             |   |

## NUMERICAL INDEX

| Part Number | Description and Page Number | Part Number | Description and Page Number           | Part Number | Description and Page Number                    |
|-------------|-----------------------------|-------------|---------------------------------------|-------------|--|
| 185697      | Pulley w/54T Gear, 17T 33   | 185814      | Platen 2, 25                          | 185998      | Plate 29                                       |
| 185700      | Base 32                     | 185816      | Screw, 6-40 x 5/16 Spl 2              | 185999      | Arm, Stop 29                                   |
| 185708      | Screw, 8-32 x 3/8 Hex 33    | 185833      | Plate, Identification 34              | 186052      | Spacer, .183" thk 19                           |
| 185721      | Bracket, Fuse 34            | 185834      | Plate, Identification 34              | 186053      | Nut, Speed 19                                  |
| 185730      | Modification Kit 34         | 185843      | Fuse, 1-1/4 Amp SL-BL 34              | 186070      | Typewheel, PS 27                               |
| 185731      | Jumper, 3-3/4" Black 34     | 185871      | Screw w/Lockwasher, 8-32 x 3/8 Hex 32 | 192007      | Terminal, Tab Type 34                          |
| 185732      | Bracket, Fuse 34            |             |                                       | 194956      | Spring 12                                      |
| 185733      | Insulator 33, 34            | 185968      | Latch 25                              | 195245      | Sleeve, 1/2 ID x 1-1/2" Lg Insulating 34       |
| 185734      | Fuse, 2-1/4 Amp SL-BL 34    | 185969      | Hub 25                                | 195614      | Pin, Key 34                                    |
| 185775      | Extension, Armature 21, 22  | 185970      | Lever w/Post 25                       | 196932      | Sleeve, 7/16 ID x 1-1/4" Lg Insulating 34      |
| 185783      | Modification Kit 15, 24     | 185971      | Modification Kit 1, 25                |             |  |
| 185788      | Arm 25                      | 185986      | Post 8, 25                            | 198670      | Screw w/Lockwasher, 6-40 x 5/16 Hex 2, 3, 4, 5 |
| 185789      | Stud 25                     | 185987      | Roller 8, 25                          | 320246      | Fuse, 1.8 Amp SL-BL 34                         |
| 185790      | Plate, Detent 25            | 185993      | Arm, Latch 29                         |             |  |
| 185791      | Modification Kit 1, 25      | 185994      | Arm w/Hub 29                          |             |  |
| 185796      | Bracket 2                   | 185996      | Spacer 29                             |             |  |
| 185799      | Shaft 6                     | 185997      | Plate, Stop 29                        |             |  |

33 CALL CONTROL UNIT (UCC)

PARTS

| FIGURE | CONTENTS  | PAGE |
|--------|---|------|
| 1      | Base Plate Components - for use with Rotary Dial                  | 2    |
| 2      | Base Plate Components - for use with Touch Tone or Card Dialing   | 3    |
| 3      | Electrical Components - for use with Rotary Dial                  | 4    |
| 4      | Electrical Components - for use with Touch Tone or Card Dialing   | 5    |
| 5      | Base Plate and Electrical Components - for DC Signal Private Line | 6    |
| 6      | Electrical Components - for Computer Control Private Line         | 7    |
| 7      | Alarms and Speaker  | 8    |
| 8      | 182695, 183985 and 184012 Selector Magnet Drivers                 | 9    |
| 9      | Receive-only Bracket Components                                   | 10   |
| 10     | Dial Modifications  | 11   |
| 11     | Key Assemblies  | 12   |
| 12     | Power Cords and Jumpers   | 13   |
| 13     | Cable Components  | 14   |
|        | Numerical Index   | 15   |

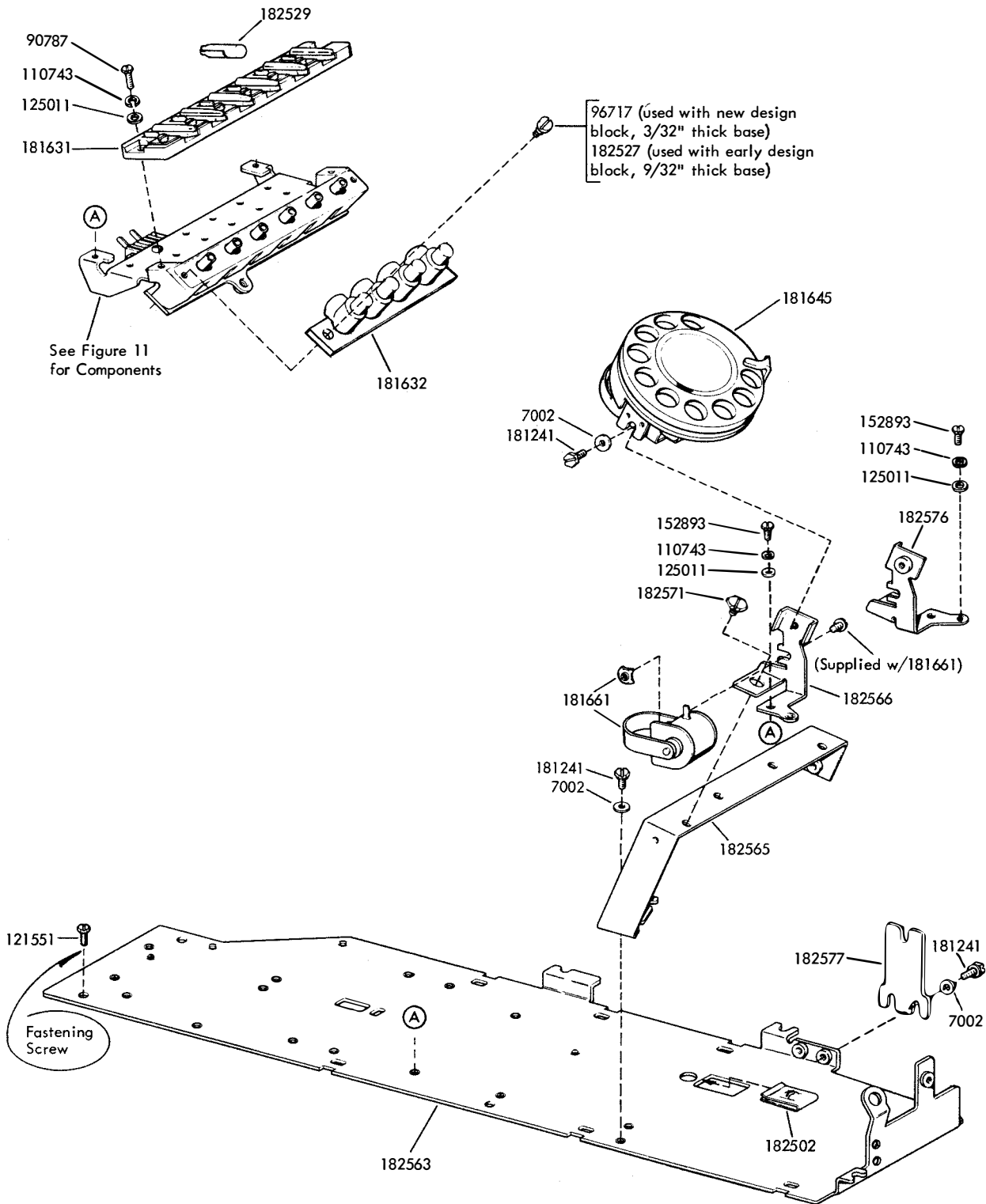


FIGURE 1. BASE PLATE COMPONENTS - FOR USE WITH ROTARY DIAL

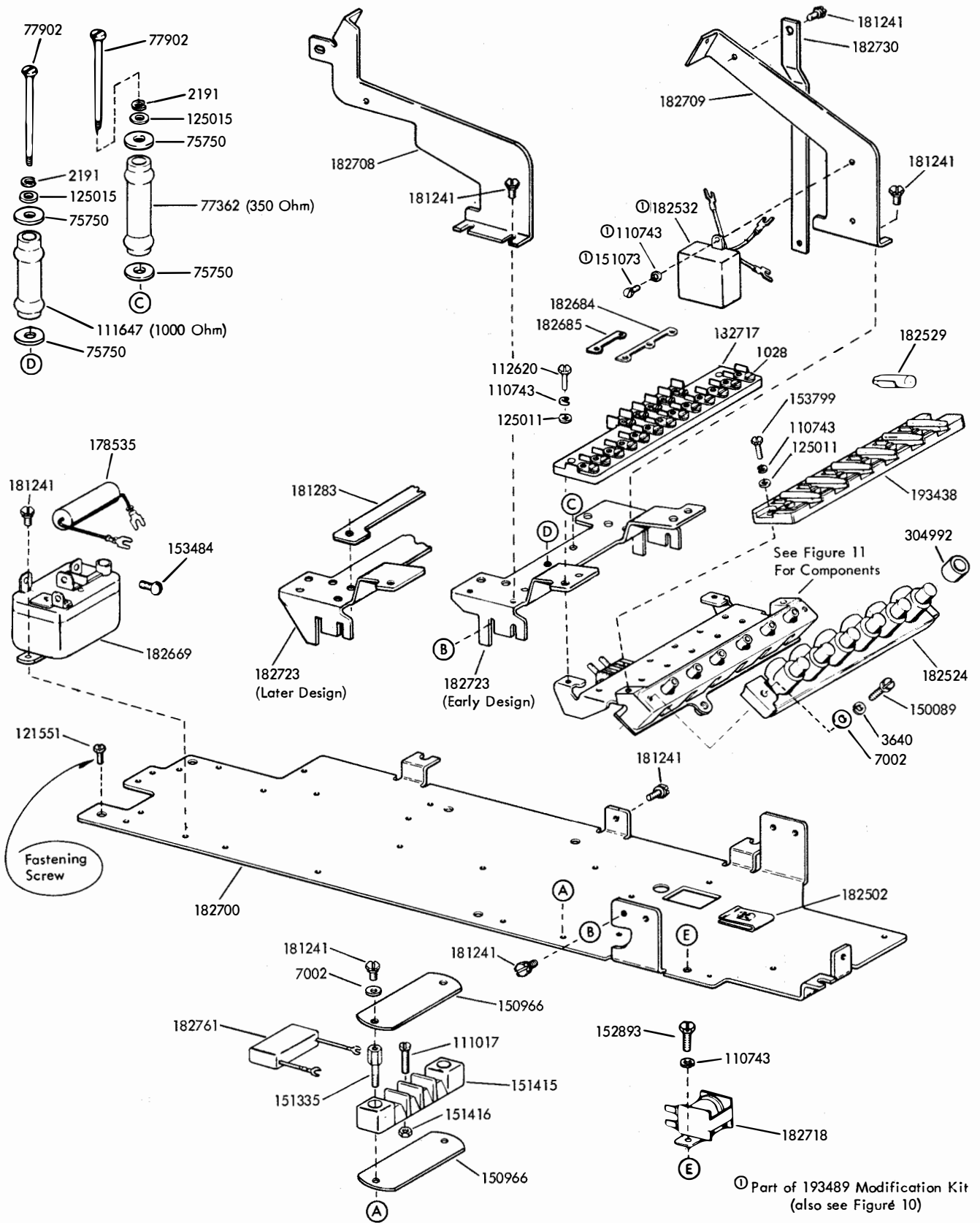


FIGURE 2. BASE PLATE COMPONENTS - FOR USE WITH TOUCH TONE OR CARD DIALING

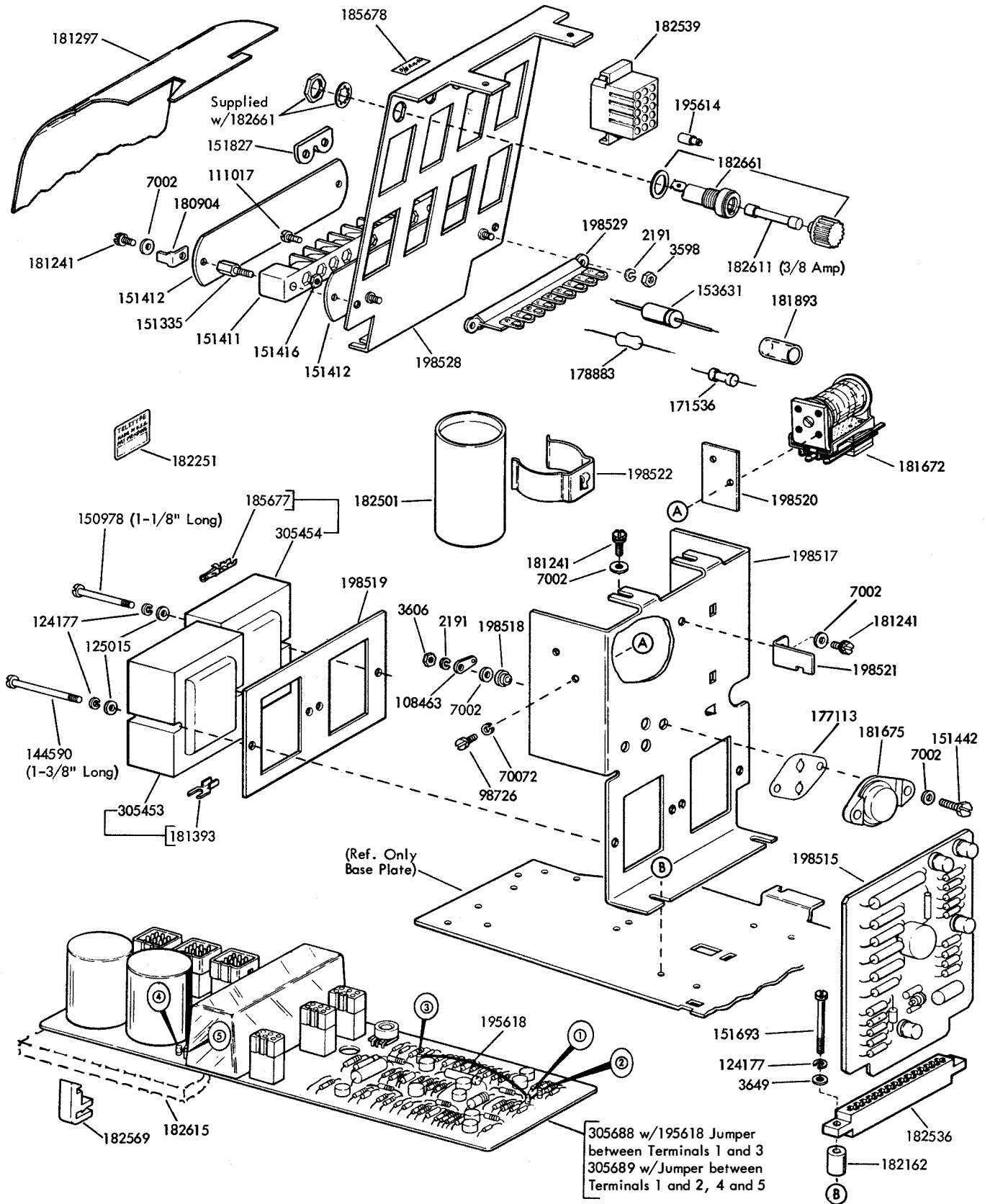


FIGURE 3. ELECTRICAL COMPONENTS - FOR USE WITH ROTARY DIAL



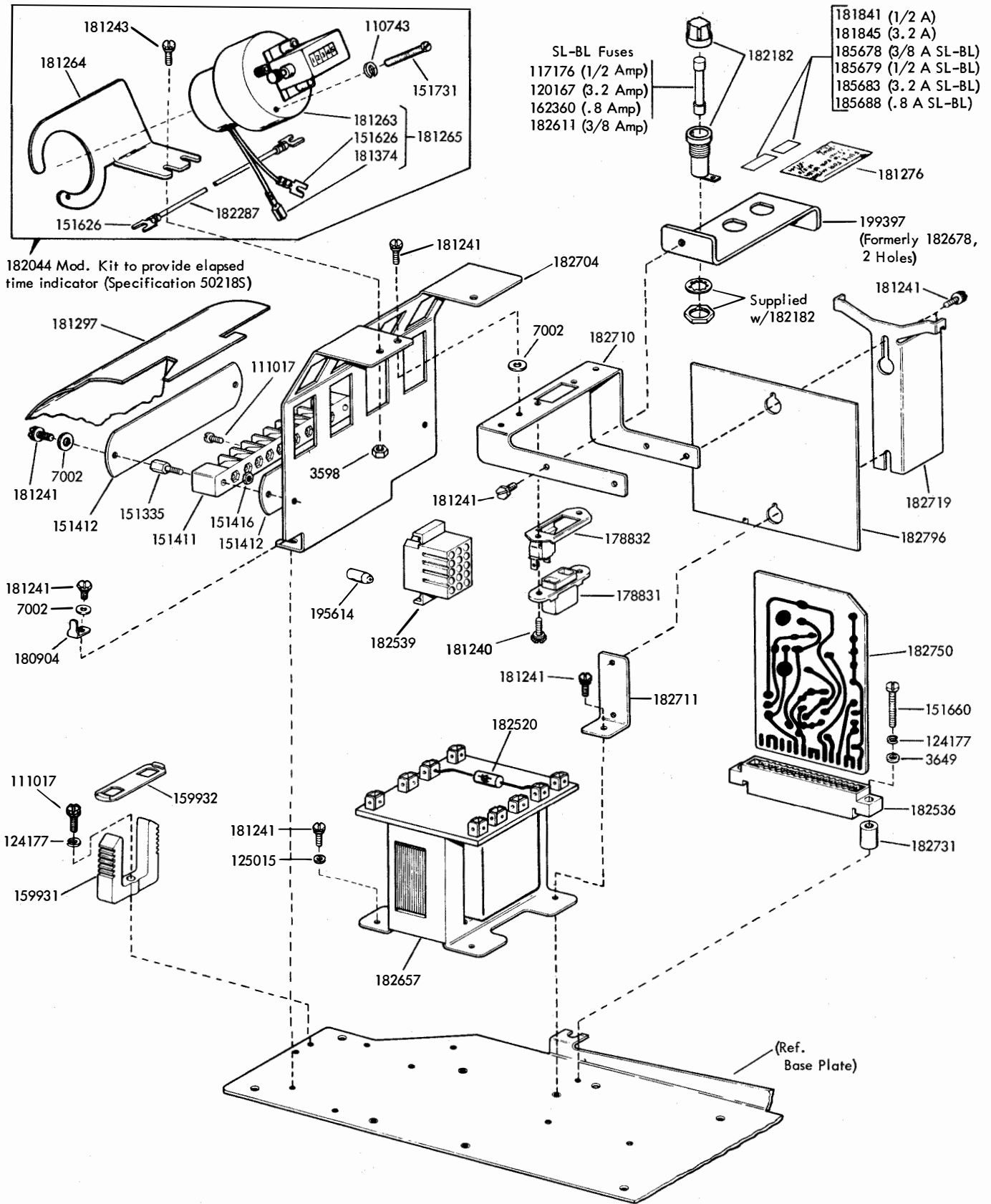


FIGURE 4. ELECTRICAL COMPONENTS - FOR USE WITH TOUCH TONE OR CARD DIALING

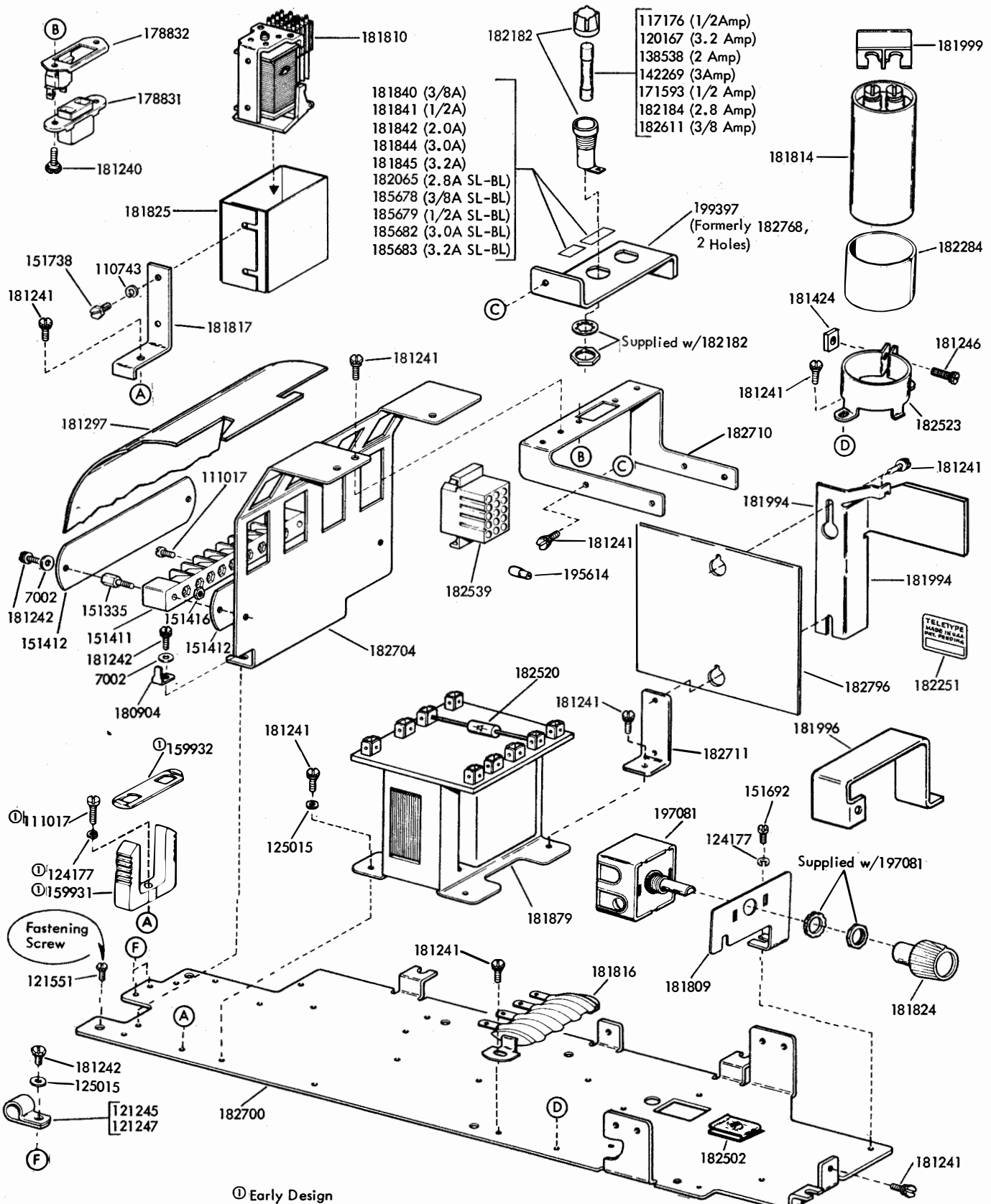


FIGURE 5. BASE PLATE AND ELECTRICAL COMPONENTS - FOR DC SIGNAL PRIVATE LINE

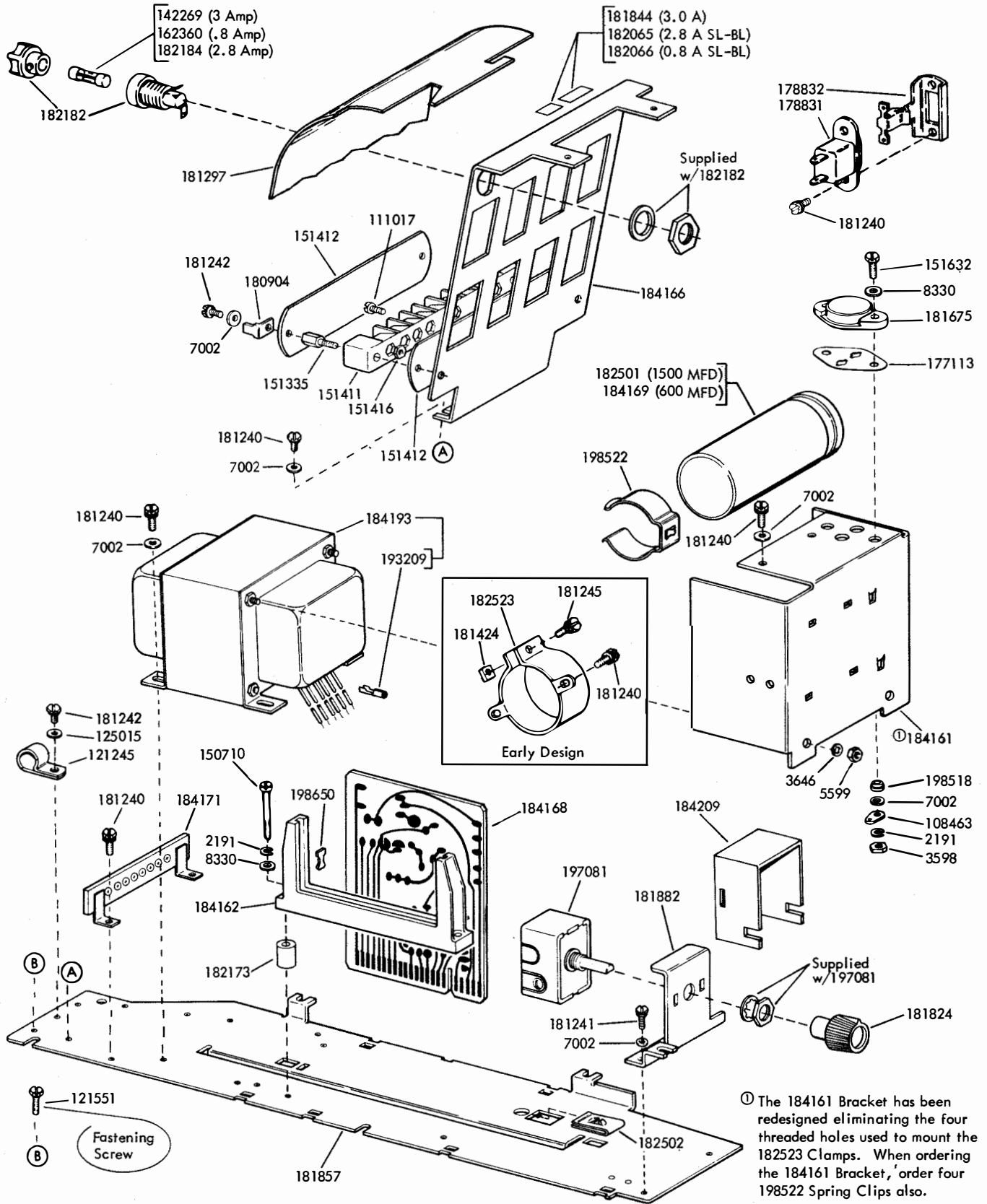
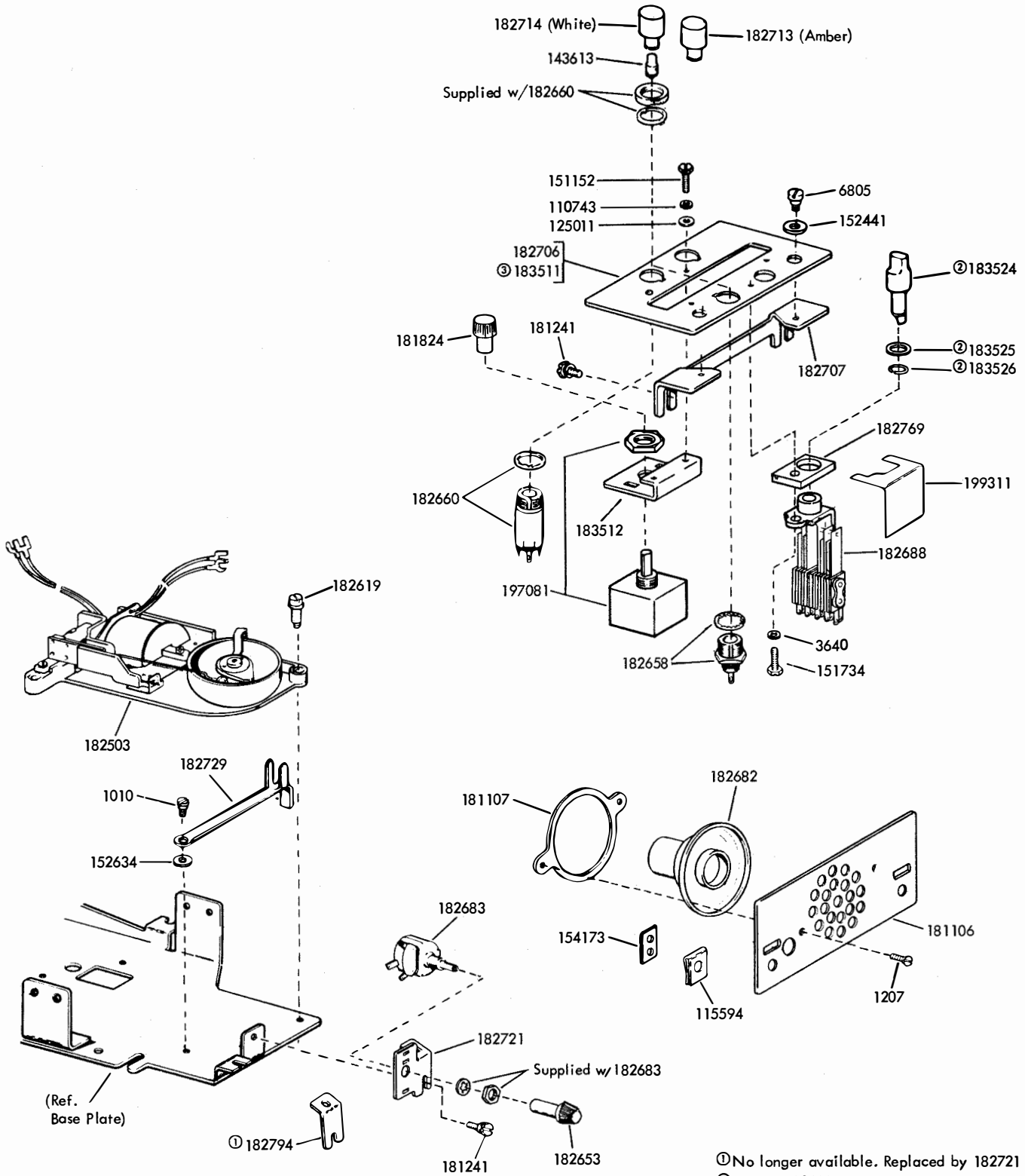


FIGURE 6. ELECTRICAL COMPONENTS - FOR COMPUTER CONTROL PRIVATE LINE



- ① No longer available. Replaced by 182721
- ② Part of 182688
- ③ Accepts the 183512 Bracket and Switch

FIGURE 7. ALARMS AND SPEAKER

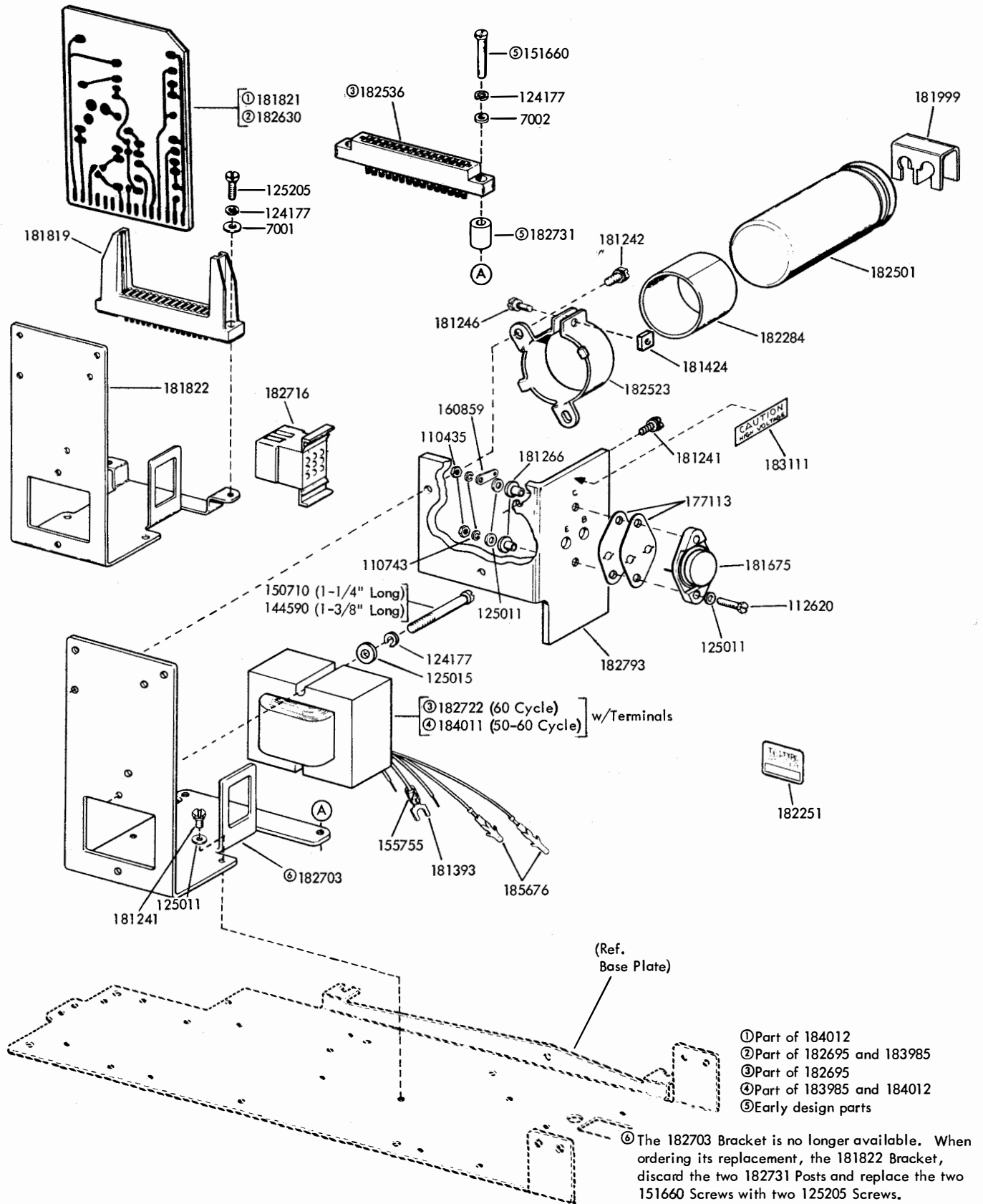


FIGURE 8. 182695, 183985 AND 184012 SELECTOR MAGNET DRIVERS

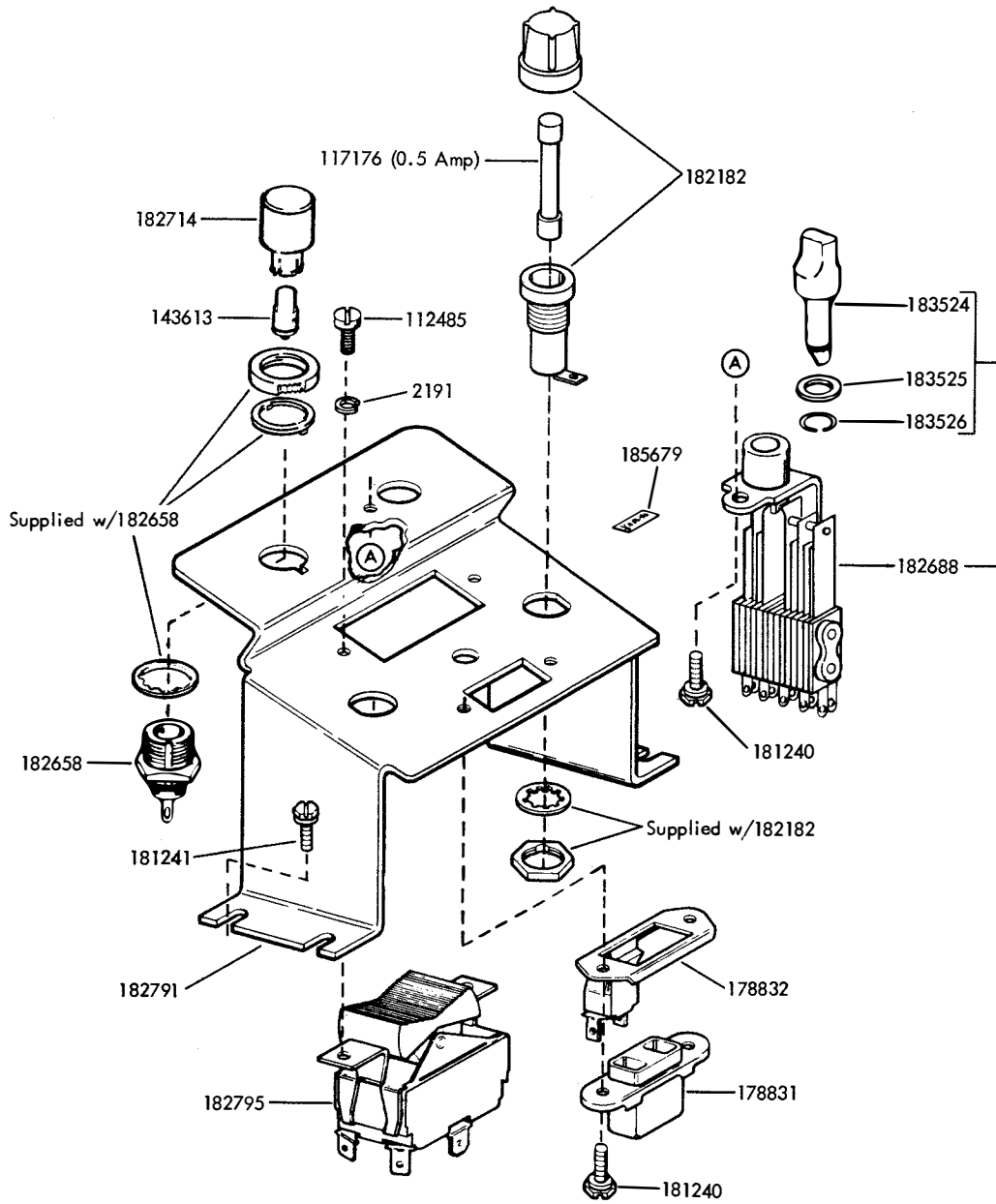
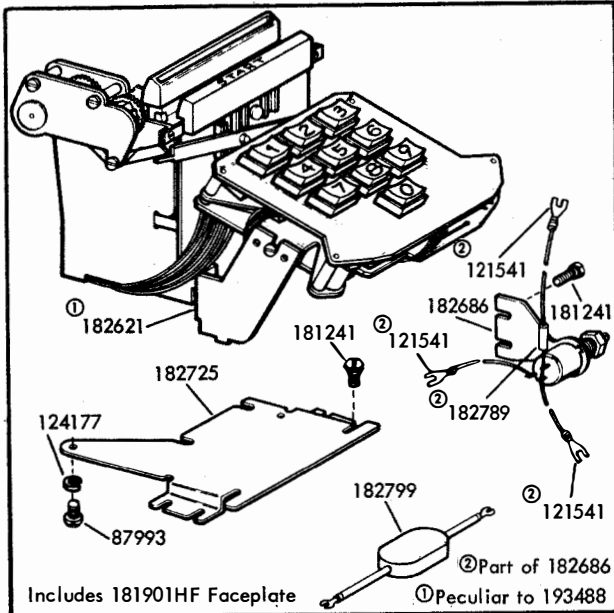
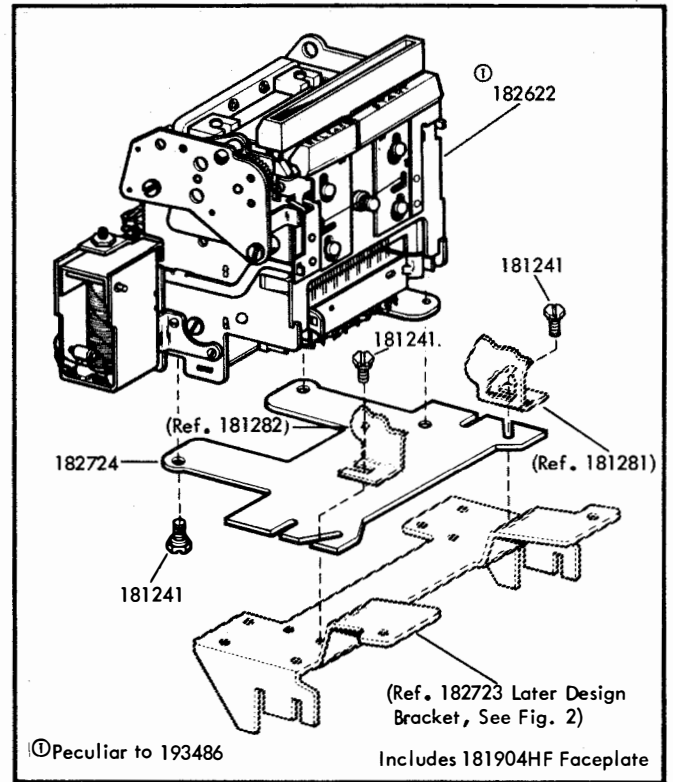
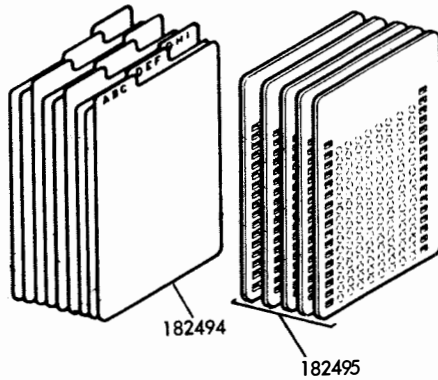


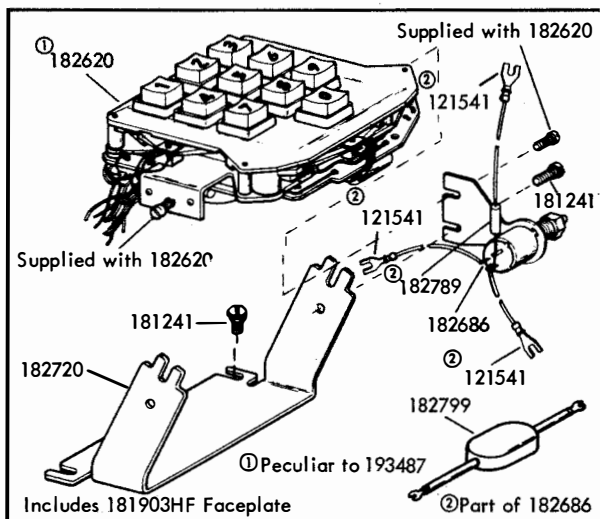
FIGURE 9. RECEIVE-ONLY BRACKET COMPONENTS



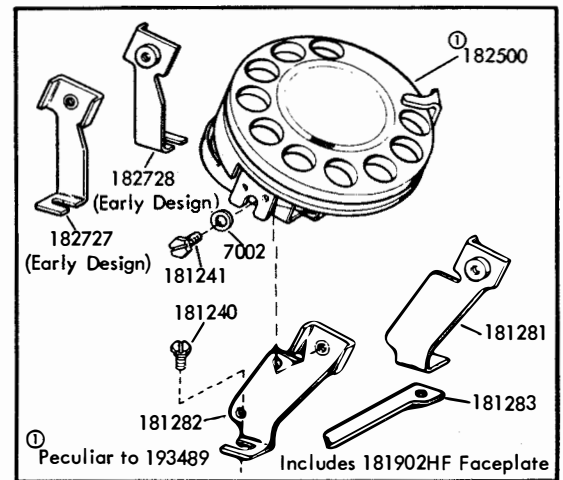
Touch Tone and Card Dial Part of 195927 (less dial) and 193488 (with dial) Modification Kits (Specification 501405)



DC Card Dial Part of 195924 (less dial) and 193486 (with dial) Modification Kits (Specification 501645)



Touch Tone Dial Part of 182489 (less dial) and 193487 (with dial) Modification Kits (Specification 501565)



Rotary Dial Part of 195926 (less dial) and 193489 (with dial) Modification Kits (Specification 501565) (also see Figure 2)

FIGURE 10. DIAL MODIFICATIONS

|                |                | KEY ASSEMBLY PART LOCATION TABLE |                  |  |  |  |  |                  |
|----------------|----------------|----------------------------------|------------------|--|--|--|--|------------------|
| POSITION       |                | 182581                           | 182582           |  |  |  |  | 182589           |
| F              | Plunger Switch |                                  | 182559<br>182562 |  |  |  |  | 182559           |
| E              | Plunger Switch | 182667<br>182562                 | 182559<br>182561 |  |  |  |  | 182559<br>182562 |
| D              | Plunger Switch | 182667<br>181638                 | 182559<br>182562 |  |  |  |  | 182559<br>182562 |
| C              | Plunger Switch | 182667                           | 182559<br>182562 |  |  |  |  | 182559           |
| B              | Plunger Switch | 182667<br>182562                 | 182559<br>182562 |  |  |  |  | 182559           |
| A              | Plunger Switch |                                  | 182559<br>182562 |  |  |  |  | 182559<br>182562 |
| Plunger Spring |                | 182554                           | 182554           |  |  |  |  | 182554           |
| Lockout        |                |                                  | 182556           |  |  |  |  | 182556           |
| Latch Bar      |                |                                  | 182666           |  |  |  |  | 182666           |
| Latch Spring   |                |                                  | 182535           |  |  |  |  | 182535           |
| Bracket        |                | 181637                           | 182557           |  |  |  |  | 182557           |

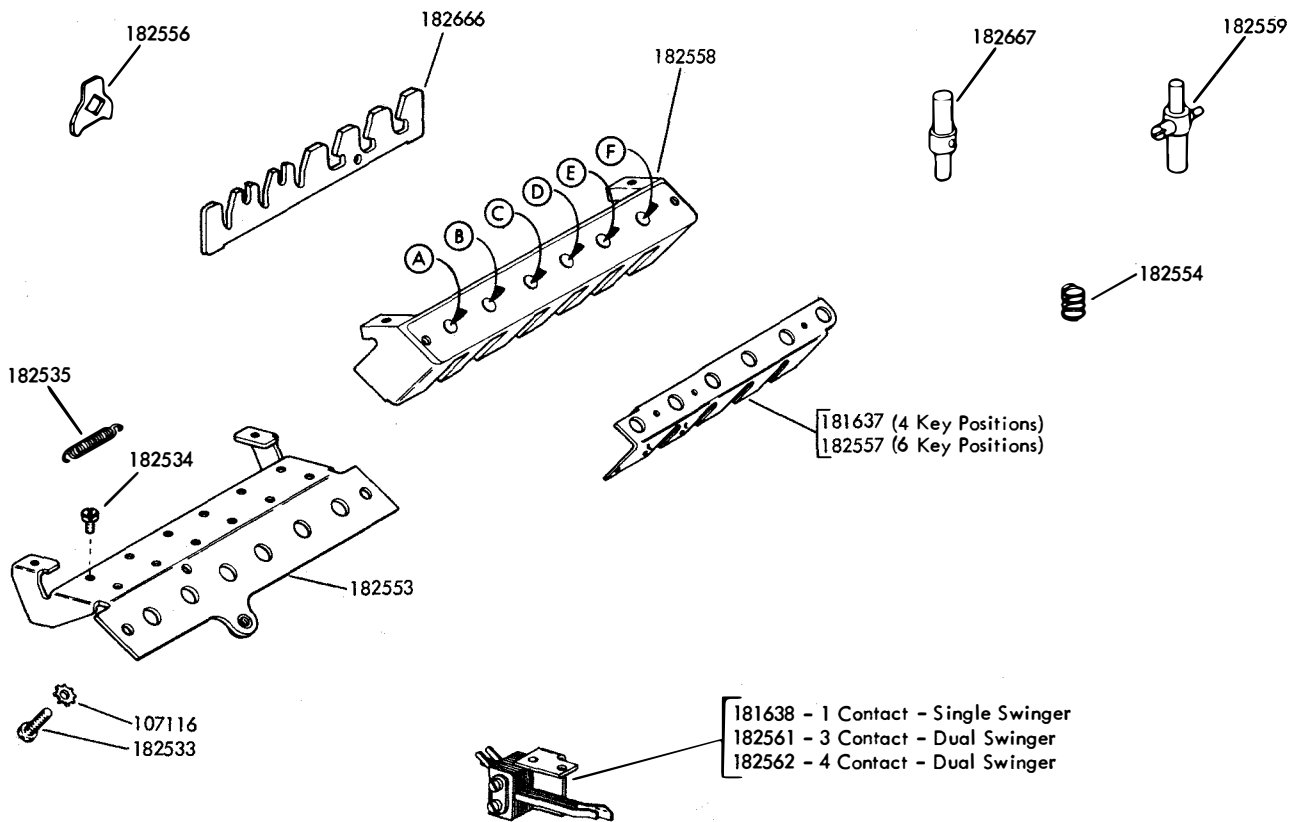


FIGURE 11. KEY ASSEMBLIES



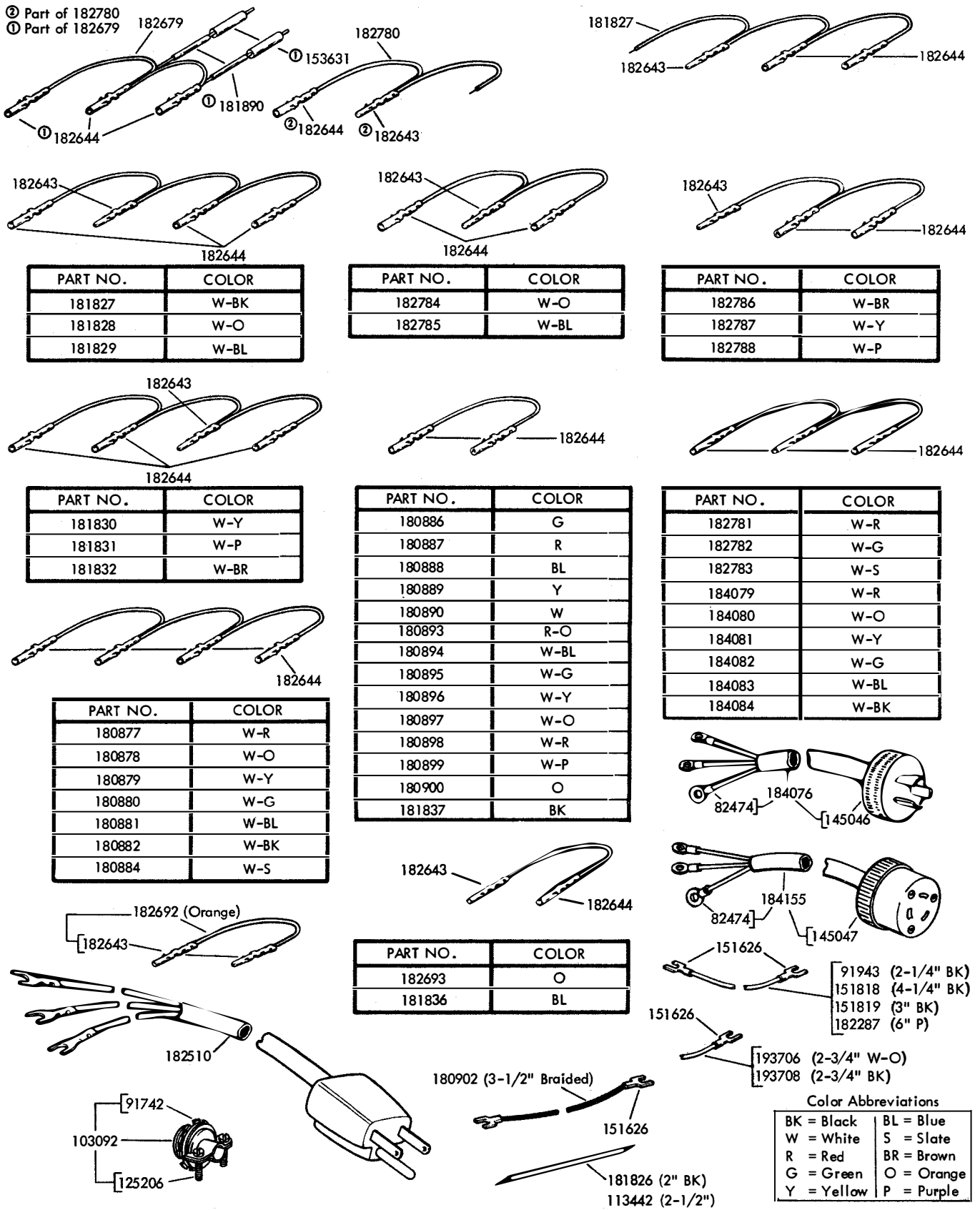
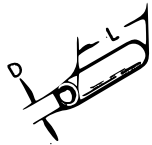


FIGURE 12. POWER CORDS AND JUMPERS



| SLEEVE | D<br>Inside Diameter | L<br>Length |
|--------|----------------------|-------------|
| 155750 | 3/32"                | 1/2"        |
| 155751 | 1/8"                 | 1"          |
| 155752 | 5/64"                | 1/2"        |
| 155753 | 1/8"                 | 1/2"        |
| 155755 | 11/64"               | 5/8"        |
| 181300 | 3/16"                | 1"          |
| 181890 | 1/16"                | 1"          |
| 181892 | 9/64"                | 1"          |
| 181893 | 3/64"                | 1-1/2"      |

| CABLE CLAMPS |       |
|--------------|-------|
|              |       |
| Part No.     | I.D.  |
| 121242       | 1/8"  |
| 121243       | 3/16" |
| 121244       | 1/4"  |
| 121245       | 5/16" |
| 121246       | 3/8"  |
| 121247       | 7/16" |
| 121248       | 1/2"  |
| 121249       | 5/8"  |
| 121250       | 3/4"  |
| 121251       | 1"    |

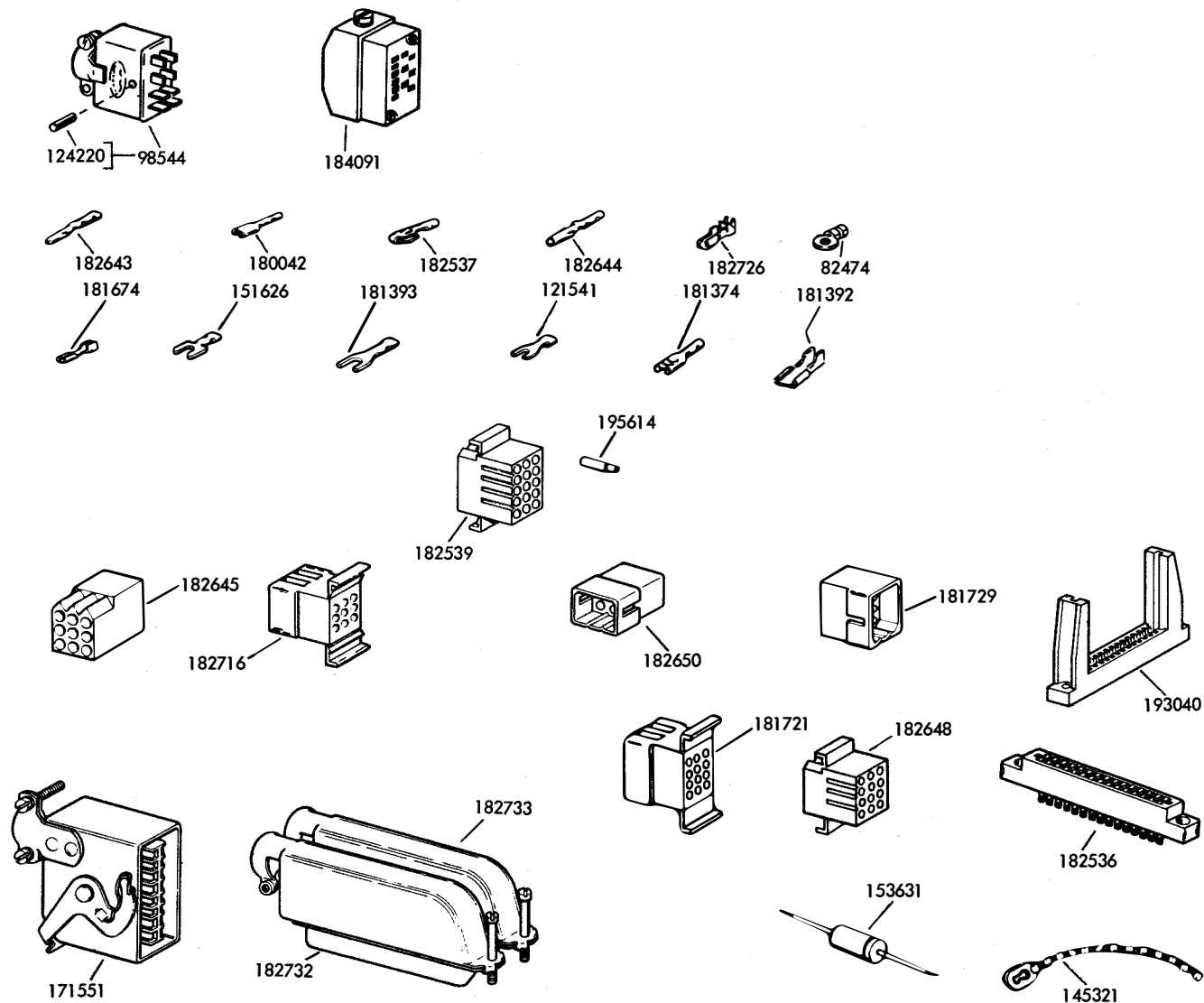


FIGURE 13. CABLE COMPONENTS

## NUMERICAL INDEX

| Part Number | Description and Page Number          | Part Number | Description and Page Number                 | Part Number | Description and Page Number                         |
|-------------|--------------------------------------|-------------|---|-------------|---|
| 1010        | Screw, 6-40 Shoulder 8               | 150710      | Screw, 6-40 x 1-1/4 Fil 7, 9                | 180894      | Jumper, 2-1/2" White-Blue 13                        |
| 1028        | Screw, 4-40 x 1/4 Fil 3              | 150966      | Insulator, Terminal 3                       | 180895      | Jumper, 2-1/2" White-Green 13                       |
| 1207        | Screw, 4-36 x 5/16 Flat 8            | 150978      | Screw, 6-40 x 1-1/8 Fil 4                   | 180896      | Jumper, 2-1/2" White-Yellow 13                      |
| 2191        | Washer, Lock 3, 4, 7, 10             | 151073      | Screw, 4-40 x 5/32 Fil 3                    | 180897      | Jumper, 2-1/2" White-Orange 13                      |
| 3598        | Nut, 6-40 Hex 4, 5, 7                | 151152      | Screw, 4-40 x 3/16 Hex 8                    | 180898      | Jumper, 2-1/2" White-Red 13                         |
| 3606        | Nut, 6-40 Hex 4                      | 151335      | Stud 3, 4, 5, 6, 7                          | 180899      | Jumper, 2-1/2" White-Purple 13                      |
| 3640        | Washer, Lock 3, 8                    | 151411      | Block, Terminal 4, 5, 6, 7                  | 180900      | Jumper, 2-1/2" Orange 13                            |
| 3646        | Washer, Lock 7                       | 151412      | Insulator, Terminal 4, 5, 6, 7              | 180902      | Jumper, 3-1/2" Braided 13                           |
| 3649        | Washer, Flat 4, 5                    | 151415      | Block, Terminal 3                           | 180904      | Tab, Terminal 4, 5, 6, 7                            |
| 5599        | Nut, 8-32 Hex 7                      | 151416      | Nut, 6-40 Hex 3, 4, 5, 6, 7                 | 181106      | Plate, Baffle 8                                     |
| 6805        | Screw, 6-40 Shoulder 8               | 151442      | Screw, 6-40 x 1/2 Hex 4                     | 181107      | Bracket 8   |
| 7001        | Washer, Flat 9                       | 151626      | Terminal 5, 13, 14                          | 181240      | Screw w/Lockwasher, 6-40 x 3/16 Hex 5, 6, 7, 10, 11 |
| 7002        | Washer, Flat 2, 3, 4, 5, 6, 7, 9, 11 | 151632      | Screw, 6-40 x 3/8 Hex 7                     | 181241      | Screw w/Lockwasher, 6-40 x 1/4 Hex 2 to 11          |
| 8330        | Washer, Flat 7                       | 151660      | Screw, 6-40 x 7/8 Fil 5, 9                  | 181242      | Screw w/Lockwasher, 6-40 x 5/16 Hex 6, 7, 9         |
| 70072       | Washer, Lock 4                       | 151692      | Screw, 6-40 x 3/16 Fil 6                    | 181243      | Screw w/Lockwasher, 6-40 x 3/8 Hex 5                |
| 75750       | Washing, Insulating 3                | 151693      | Screw, 6-40 x 9/16 Fil 4                    | 181245      | Screw w/Lockwasher, 6-40 x 1/2 Hex 7                |
| 77362       | Resistor, 350 Ohm 3                  | 151731      | Screw, 4-40 x 7/8 Fil 5                     | 181246      | Screw w/Lockwasher, 6-40 x 5/8 Hex 6, 9             |
| 77902       | Screw, 6-40 x 2-3/8 Rd 3             | 151734      | Screw, 4-40 x 3/8 Hex 8                     | 181263      | Timer, Hour 5                                       |
| 82474       | Terminal 13, 14                      | 151738      | Screw, Identification 6                     | 181264      | Bracket 5   |
| 87993       | Screw, 6-40 x 5/32 Fil 11            | 151818      | Jumper, 4-1/4" Black 13                     | 181265      | Timer w/Terminals 5                                 |
| 90787       | Screw, 4-40 x 3/8 Hex 2              | 151819      | Jumper, 3" Black 13                         | 181266      | Bushing, Insulating 9                               |
| 91742       | Nut, Lock 13                         | 151827      | Strap, Terminal 4                           | 181276      | Plate, Name 5                                       |
| 91943       | Jumper, 2-1/4" Black 13              | 152441      | Washer, Flat 8                              | 181281      | Bracket, Right 11                                   |
| 96717       | Screw, 4-40 Shoulder 2               | 152634      | Washer, Flat 8                              | 181282      | Bracket, Left 11                                    |
| 98544       | Connector, 8Pt Plug 14               | 152893      | Screw, 4-40 x 1/4 Hex 2, 3                  | 181283      | Spacer, .065" Thk 3, 11                             |
| 98726       | Screw, 3-48 x 1/4 Fil 4              | 153484      | Screw, 6-32 Spl 3                           | 181297      | Cover, Insulating 4, 5, 6, 7                        |
| 103092      | Connector, Cord 13                   | 153631      | Network, Spark Suppression 4, 13, 14        | 181300      | Sleeve, 3/16 ID x 1" Lg Insulating 14               |
| 107116      | Washer, Lock 12                      | 153799      | Screw, 4-40 x 21/64 Hex 3                   | 181374      | Terminal, Tab Type 5, 14                            |
| 108463      | Terminal 4, 7                        | 154173      | Plate 8                                     | 181392      | Terminal, Tab Type 14                               |
| 110435      | Nut, 4-40 Hex 9                      | 155750      | Sleeve, 3/32 ID x 1/2" Lg Insulating 14     | 181393      | Terminal 4, 9, 14                                   |
| 110743      | Washer, Lock 2, 3, 5, 6, 8, 9        | 155751      | Sleeve, 1/8 ID x 1" Lg Insulating 14        | 181424      | Nut, 6-40 Sq 6, 7, 9                                |
| 111017      | Screw, 6-40 x 5/16 Fil 3, 4, 5, 6, 7 | 155752      | Sleeve, 5/64 ID x 1/2" Lg Insulating 14     | 181631      | Strip Assembly, Lamp 2                              |
| 111647      | Resistor, 1,000 Ohm 3                | 155753      | Sleeve, 1/8 ID x 1/2" Lg Insulating 14      | 181632      | Button Assembly 2                                   |
| 112485      | Screw, 6-32 x 1/4 Fil 10             | 155755      | Sleeve, 11/64 ID x 5/8" Lg Insulating 9, 14 | 181637      | Bracket 12  |
| 112620      | Screw, 4-40 x 1/2 Hex 3, 9           | 159931      | Clamp 5, 6                                  | 181638      | Contact Assembly 12                                 |
| 113442      | Jumper, 2-1/2" Brown 13              | 159932      | Keeper 5, 6                                 | 181645      | Dial, Rotary 2                                      |
| 115594      | Nut, Speed 8                         | 160859      | Terminal 9                                  | 181661      | Buzzer, 115V AC 2                                   |
| 117176      | Fuse, SL-BL 0.5 Amp 5, 6, 10         | 162360      | Fuse, SL-BL .8 Amp 5, 7                     | 181672      | Relay, Power 4                                      |
| 120167      | Fuse, SL-BL 3.2 Amp 5, 6             | 171536      | Resistor, 2,250 Ohm 4                       | 181674      | Terminal, Tap Type 14                               |
| 121242      | Clamp, 1/8 ID Cable 14               | 171551      | Connector, 16 Pt Plug 14                    | 181675      | Transistor, Power 4, 7, 9                           |
| 121243      | Clamp, 3/16 ID Cable 14              | 171593      | Fuse, .5 Amp 6                              | 181721      | Connector, 12 Pt Plug Type 14                       |
| 121244      | Clamp, 1/4 ID Cable 14               | 177113      | Insulator 4, 7, 9                           | 181729      | Connector Assembly 14                               |
| 121245      | Clamp, 5/16 ID Cable 6, 7, 14        | 178535      | Suppressor, Spark 3                         | 181809      | Bracket, Switch 6                                   |
| 121246      | Clamp, 3/8 ID Cable 14               | 178831      | Connector, 2 Pt Receptacle 5, 6, 7, 10      | 181810      | Relay 6   |
| 121247      | Clamp, 7/16 ID Cable 6, 14           | 178832      | Plate, Adapter 5, 6, 7, 10                  | 181814      | Capacitor, 250 MFD 6                                |
| 121248      | Clamp, 1/2 ID Cable 14               | 178883      | Resistor, 1,500 Ohm 4                       | 181816      | Resistor, 4,200 Ohm 6                               |
| 121249      | Clamp, 5/8 ID Cable 14               | 180042      | Terminal, Tab Type 14                       | 181817      | Bracket 6   |
| 121250      | Clamp, 3/4 ID Cable 14               | 180877      | Jumper, 2-3/4" White-Red 13                 | 181819      | Connector, 15 Pt Circuit Card 9                     |
| 121251      | Clamp, 1 ID Cable 14                 | 180878      | Jumper, 2-3/4" White-Orange 13              | 181821      | Card, Circuit 9                                     |
| 121541      | Terminal 11, 14                      | 180879      | Jumper, 2-3/4" White-Yellow 13              | 181822      | Bracket 9   |
| 121551      | Screw, 8-32 x 1/4 Hex 2, 3, 6, 7     | 180880      | Jumper, 2-3/4" White-Green 13               | 181824      | Knob, Gray Pointer 6, 7, 8                          |
| 124177      | Washer, Lock 4, 5, 6, 9, 11          | 180881      | Jumper, 2-3/4" White-Blue 13                | 181825      | Cover, Relay 6                                      |
| 124220      | Pin, Drive 14                        | 180882      | Jumper, 2-3/4" White-Black 13               | 181826      | Jumper, 2" Black 13                                 |
| 125011      | Washer, Flat 2, 3, 8, 9              | 180884      | Jumper, 2-3/4" White-Slate 13               | 181827      | Jumper, 2-3/4" White-Black 13                       |
| 125015      | Washer, Flat 3, 4, 5, 6, 7, 9        | 180886      | Jumper, 2-1/2" Green 13                     | 181828      | Jumper, 2-3/4" White-Orange 13                      |
| 125205      | Screw, 6-40 x 7/16 Fil 9             | 180887      | Jumper, 2-1/2" Rd 13                        | 181829      | Jumper, 2-3/4" White-Blue 13                        |
| 125206      | Screw, 6-32 x 5/8 Fil 13             | 180888      | Jumper, 2-1/2" Blue 13                      |             |   |
| 138538      | Fuse, SL-BL 2 Amp 6                  | 180889      | Jumper, 2-1/2" Yellow 13                    |             |   |
| 142269      | Fuse, SL-BL 3 Amp 6, 7               | 180890      | Jumper, 2-1/2" White 13                     |             |   |
| 143613      | Lamp, 14V Incandescent 8, 10         | 180893      | Jumper, 2-1/2" Red-Orange 13                |             |   |
| 144590      | Screw, 6-40 x 1-3/8 Fil 4, 9         |             |   |             |   |
| 145046      | Connector, 3 Pt Plug 13              |             |   |             |   |
| 145047      | Connector, 3 Pt Receptacle 13        |             |   |             |   |
| 145321      | Tie, Cable 14                        |             |   |             |   |
| 150089      | Screw, 4-40 x 1/2 Fil 3              |             |   |             |   |

## NUMERICAL INDEX (Continued)

| Part Number | Description and Page Number                  | Part Number | Description and Page Number           | Part Number | Description and Page Number           |
|-------------|--|-------------|---------------------------------------|-------------|---------------------------------------|
| 181830      | Jumper, 2-3/4" White-Yellow 13               | 182562      | Contact Assembly 12                   | 182728      | Bracket, Right 11                     |
| 181831      | Jumper, 2-3/4" White-Purple 13               | 182563      | Plate w/Bracket 2                     | 182729      | Link, Ringer 8                        |
| 181832      | Jumper, 2-3/4" White-Brown 13                | 182565      | Bracket 2                             | 182730      | Bracket, Support 3                    |
| 181836      | Jumper, 4-1/2" Blue 13                       | 182566      | Bracket, Left 2                       | 182731      | Post 5, 9                             |
| 181837      | Jumper, 4-1/2" Black 13                      | 182569      | Clamp 4                               | 182732      | Connector, 50 Pt Plug 14              |
| 181840      | Plate, Name 6                                | 182571      | Screw, 6-40 Shoulder 2                | 182733      | Connector, 50 Pt Receptacle 14        |
| 181841      | Plate, Name 5, 6                             | 182576      | Bracket, Right 2                      | 182750      | Card, Amplifier Circuit 5             |
| 181842      | Plate, Name 6                                | 182577      | Bracket 2                             | 182761      | Capacitor, 0.5 MFD 3                  |
| 181844      | Plate, Name 6, 7                             | 182581      | Key Assembly 12                       | 182768      | Bracket, Fuse 6                       |
| 181845      | Plate, Name 5, 6                             | 182582      | Key Assembly 12                       | 182769      | Block 8                               |
| 181857      | Plate 7                                      | 182589      | Key Assembly 12                       | 182780      | Jumper, 2-1/4" White-Black 13         |
| 181879      | Transformer, Power 6                         | 182611      | Fuse, SL-BL 3/8 Amp 4, 5, 6           | 182781      | Jumper, 2-3/4" White-Red 13           |
| 181882      | Bracket, Switch 7                            | 182615      | Pad 4                                 | 182782      | Jumper, 2-3/4" White-Green 13         |
| 181890      | Sleeve, 1/16 ID x 1" Lg Insulating 13, 14    | 182619      | Screw, 6-40 Shoulder 8                | 182783      | Jumper, 2-3/4" White-Slate 13         |
| 181892      | Sleeve, 9/64 ID x 1" Lg Insulating 14        | 182620      | Dial, Touch Tone 11                   | 182784      | Jumper, 2-1/4" White-Orange 13        |
| 181893      | Sleeve, 3/64 ID x 1-1/2" Lg Insulating 4, 14 | 182621      | Dial, Touch Tone Card 11              | 182785      | Jumper, 2-1/4" White-Blue 13          |
| 181901HF    | Faceplate 11                                 | 182622      | Dial, DC Card 11                      | 182786      | Jumper, 2-1/4" White-Brown 13         |
| 181902HF    | Faceplate 11                                 | 182630      | Card, Circuit 9                       | 182787      | Jumper, 2-1/4" White-Yellow 13        |
| 181903HF    | Faceplate 11                                 | 182643      | Terminal, Plug Type 13, 14            | 182788      | Jumper, 2-1/4" White-Purple 13        |
| 181904HF    | Faceplate 11                                 | 182644      | Terminal, Receptacle Type 13, 14      | 182789      | Resistor, 200 Ohm 11                  |
| 181994      | Bracket, Guide 6                             | 182645      | Connector, 9 Pt Receptacle Type 14    | 182791      | Bracket 10                            |
| 181996      | Insulator 6                                  | 182648      | Connector, 12 Pt Receptacle Type 14   | 182793      | Plate, Heat Sink 9                    |
| 181999      | Insulator 6, 9                               | 182650      | Connector, 6 Pt Plug Type 14          | 182794      | Bracket 8                             |
| 182044      | Modification Kit 5                           | 182653      | Knob 8                                | 182795      | Switch, DP-DT 10                      |
| 182065      | Plate, Identification 6, 7                   | 182657      | Transformer, Power 5                  | 182796      | Insulator, .032" Thk 5, 6             |
| 182066      | Plate, Identification 7                      | 182658      | Socket, Lamp 8, 10                    | 182799      | Capacitor, 20-30 MFD 11               |
| 182162      | Post 4                                       | 182660      | Switch, Pushbutton 8                  | 183111      | Label 9                               |
| 182173      | Spacer 7                                     | 182661      | Holder, Fuse 4                        | 183511      | Plate, Pilot 8                        |
| 182182      | Holder, Fuse 5, 6, 7, 10                     | 182666      | Bar, Latch 12                         | 183512      | Bracket, Switch 8                     |
| 182184      | Fuse, 2.8 Amp 6, 7                           | 182667      | Plunger 12                            | 183524      | Button, Turn 8, 10                    |
| 182251      | Plate, Identification 4, 6, 9                | 182669      | Relay, Power 3                        | 183525      | Washer, Flat 8, 10                    |
| 182284      | Insulator, .015" Thk 6, 9                    | 182678      | Cable Assembly 5                      | 183526      | Ring, Retaining 8, 10                 |
| 182287      | Jumper, 6" Purple 5, 13                      | 182679      | Jumper w/Spark Suppressor 13          | 183985      | Driver Assembly, Selector Magnet 1, 9 |
| 182493      | Card Set, Dialing 11                         | 182682      | Speaker, 2" 8                         | 184011      | Transformer w/Terminals 9             |
| 182494      | Card Set, Index 11                           | 182683      | Resistor, 50 Ohm 8                    | 184012      | Driver Assembly, Selector Magnet 1, 9 |
| 182500      | Dial, Rotary 11                              | 182684      | Strap 3                               | 184076      | Cable Assembly 13                     |
| 182501      | Capacitor, 1,500 MFD 4, 7, 9                 | 182685      | Strap 3                               | 184079      | Jumper, White-Red 13                  |
| 182502      | Nut, #14 Speed 2, 3, 6, 7                    | 182686      | Resistor Assembly 50,000 Ohm 11       | 184080      | Jumper, White-Orange 13               |
| 182503      | Ringer w/Terminals 8                         | 182688      | Switch, Turn Button 8, 10             | 184081      | Jumper, White-Yellow 13               |
| 182510      | Cord, Power 13                               | 182692      | Jumper, 2-1/4" Orange 13              | 184082      | Jumper, White-Green 13                |
| 182520      | Rectifier 5, 6                               | 182693      | Jumper, 2-1/4" Orange 13              | 184083      | Jumper, White-Blue 13                 |
| 182523      | Clamp, 1-3/8" ID Mounting 6, 7, 9            | 182695      | Driver Assembly, Selector Magnet 1, 9 | 184084      | Jumper, White-Black 13                |
| 182524      | Button Assembly 3                            | 182700      | Plate, Base 3, 6                      | 184091      | Connector, 12 Pt Plug 14              |
| 182527      | Screw, 4-40 Shoulder 2                       | 182703      | Bracket 9                             | 184155      | Cable Assembly 13                     |
| 182529      | Lamp, 10V 2, 3                               | 182704      | Bracket 5, 6                          | 184161      | Bracket 7                             |
| 182532      | Filter 3                                     | 182706      | Plate, Pilot 8                        | 184162      | Connector, 22 Pt Circuit Card 7       |
| 182533      | Screw, 6-32 x 5/16 Rd 12                     | 182707      | Bracket, Pilot 8                      | 184166      | Bracket 7                             |
| 182534      | Screw, 4-40 Spl 12                           | 182708      | Bracket, Left 3                       | 184168      | Card, Circuit 7                       |
| 182535      | Spring 12                                    | 182709      | Bracket, Right 3                      | 184169      | Capacitor, 500-600 MFD 7              |
| 182536      | Connector, 15 Pt Circuit Card 4, 5, 9, 14    | 182710      | Bracket, Upper 5, 6                   | 184171      | Strip, Terminal 7                     |
| 182537      | Terminal, Tab Type 14                        | 182711      | Bracket, Lower 5, 6                   | 184193      | Transformer 7                         |
| 182539      | Connector, 15 Pt Receptacle Type 4, 5, 6, 14 | 182713      | Cap, Amber Lens 8                     | 184209      | Insulator 7                           |
| 182553      | Plate, Base 12                               | 182714      | Cap, White Lens 8, 10                 | 185676      | Terminal, Plug Type 9                 |
| 182554      | Spring, Compression 12                       | 182716      | Connector, 9 Pt Plug Type 9, 14       | 185677      | Terminal, Receptacle Type 4           |
| 182556      | Lockout 12                                   | 182717      | Board, Terminal 3                     | 185678      | Plate, Identification 4, 5, 6         |
| 182557      | Bracket 12                                   | 182718      | Buzzer, 10V AC 3                      | 185679      | Plate, Identification 5, 6, 10        |
| 182558      | Frame 12                                     | 182719      | Bracket, Guide 5                      | 185682      | Plate, Identification 6               |
| 182559      | Plunger 12                                   | 182720      | Bracket, Dial 11                      | 185683      | Plate, Identification 5, 6            |
| 182561      | Contact Assembly 12                          | 182721      | Bracket 8                             | 185688      | Plate, Identification 5               |
|             |  | 182722      | Transformer w/Terminals 9             |             |                                       |
|             |  | 182723      | Bracket 3, 11                         |             |                                       |
|             |  | 182724      | Plate, Dial 11                        |             |                                       |
|             |  | 182725      | Plate, Tone Dialer 11                 |             |                                       |
|             |  | 182726      | Terminal, Receptacle Type 14          |             |                                       |
|             |  | 182727      | Bracket, Left 11                      |             |                                       |

## NUMERICAL INDEX (Continued)

| Part Number | Description and Page Number   | Part Number | Description and Page Number | Part Number | Description and Page Number |
|-------------|-------------------------------|-------------|-----------------------------|-------------|-----------------------------|
| 185688      | Plate, Identification 5       | 195924      | Modification Kit 11         | 198528      | Bracket 4                   |
| 193040      | Connector w/Guide Slot 14     | 195926      | Modification Kit 11         | 198529      | Strip, Terminal 4           |
| 193209      | Connector, Receptacle Type 7  | 195927      | Modification Kit 11         | 198650      | Key, Polarizing 7           |
| 193438      | Strip, Lamp 3                 | 197081      | Switch, 3 Positions 6, 7, 8 | 199311      | Insulator 8                 |
| 193486      | Modification Kit 11           | 198515      | Card, Circuit 4             | 199397      | Bracket, Fuse 5, 6          |
| 193487      | Modification Kit 11           | 198517      | Bracket 4                   | 304992      | Bushing, Blocking 3         |
| 193488      | Modification Kit 11           | 198518      | Bushing, Insulating 4, 7    | 305453      | Transformer w/Terminals 4   |
| 193489      | Modification Kit 3, 11        | 198519      | Insulator 4                 | 305454      | Transformer 4               |
| 193706      | Jumper, 3" White-Orange 13    | 198520      | Insulator, .062" Thk 4      | 305688      | Card, Circuit 4             |
| 193708      | Jumper, 3" Black 13           | 198521      | Bracket 4                   | 305689      | Card, Circuit 4             |
| 195614      | Pin, Key 4, 5, 6, 14          | 198522      | Clip, Spring 4, 7           |             |                             |
| 195618      | Jumper, 5-1/4" White-Purple 4 |             |                             |             |                             |



33 TAPE READER (UX)  
PARTS

| FIGURE | CONTENTS                    | PAGE |
|--------|-----------------------------|------|
| 1      | Reader Mechanism            | 2    |
| 2      | Tape Feed Magnet            | 3    |
| 3      | Contact Block               | 3    |
| 4      | Reed Switch and Magnet Core | 4    |
| 5      | Vibration Mounting          | 4    |
|        | Numerical Index             | 5    |

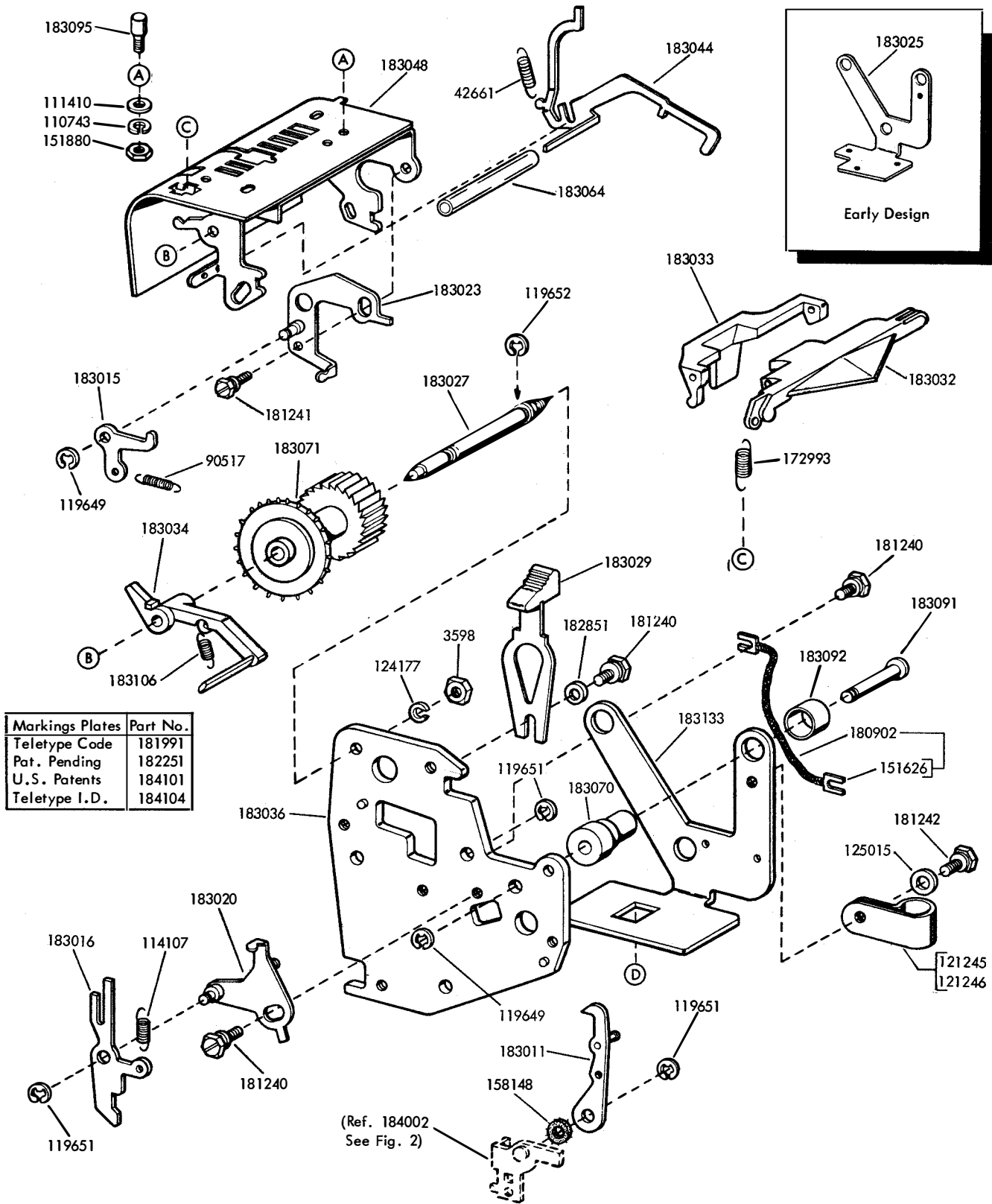


FIGURE 1 READER MECHANISM



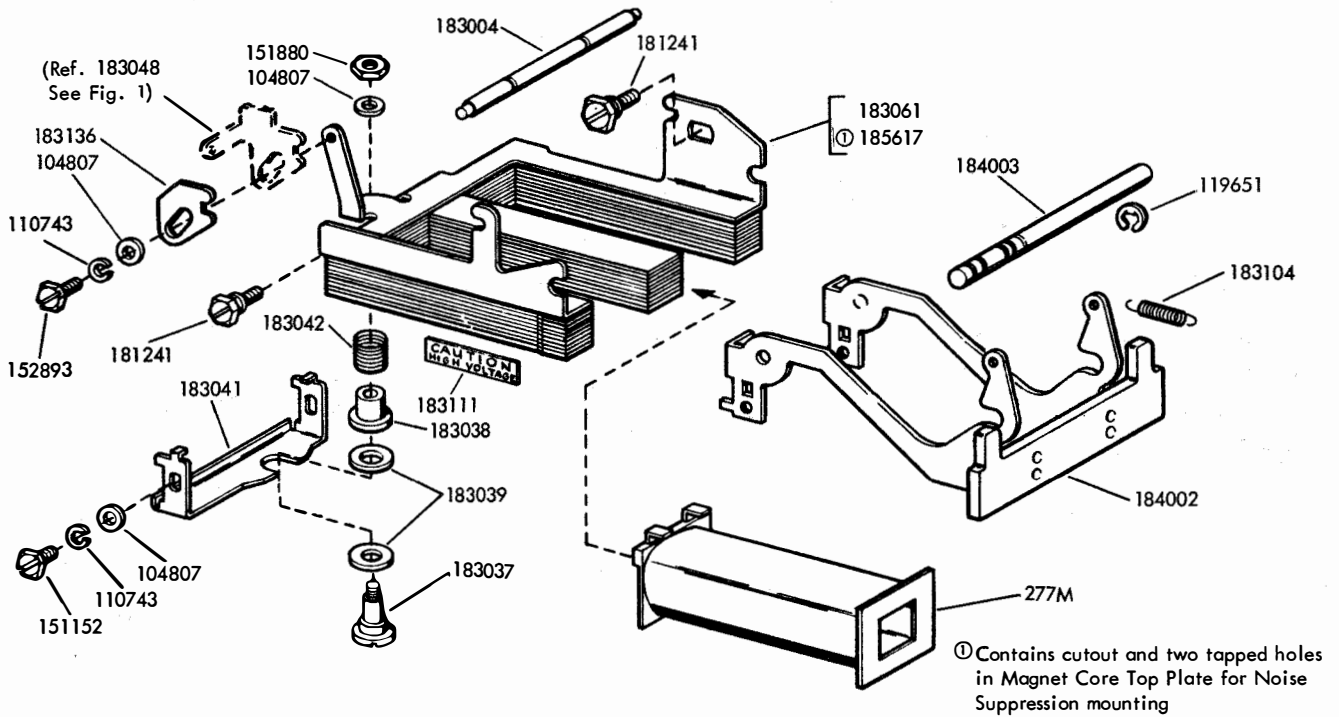


FIGURE 2. TAPE FEED MAGNET

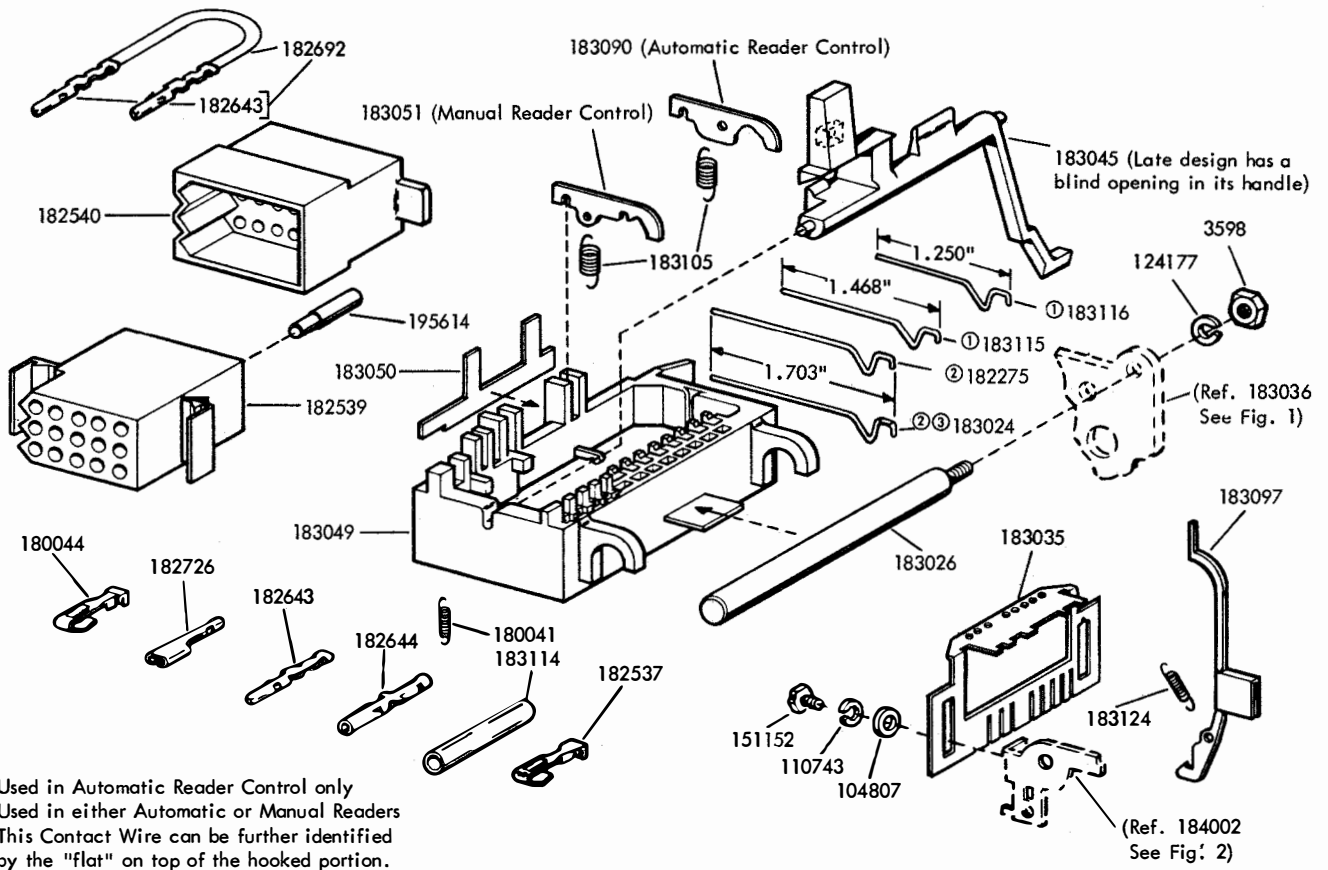


FIGURE 3. CONTACT BLOCK

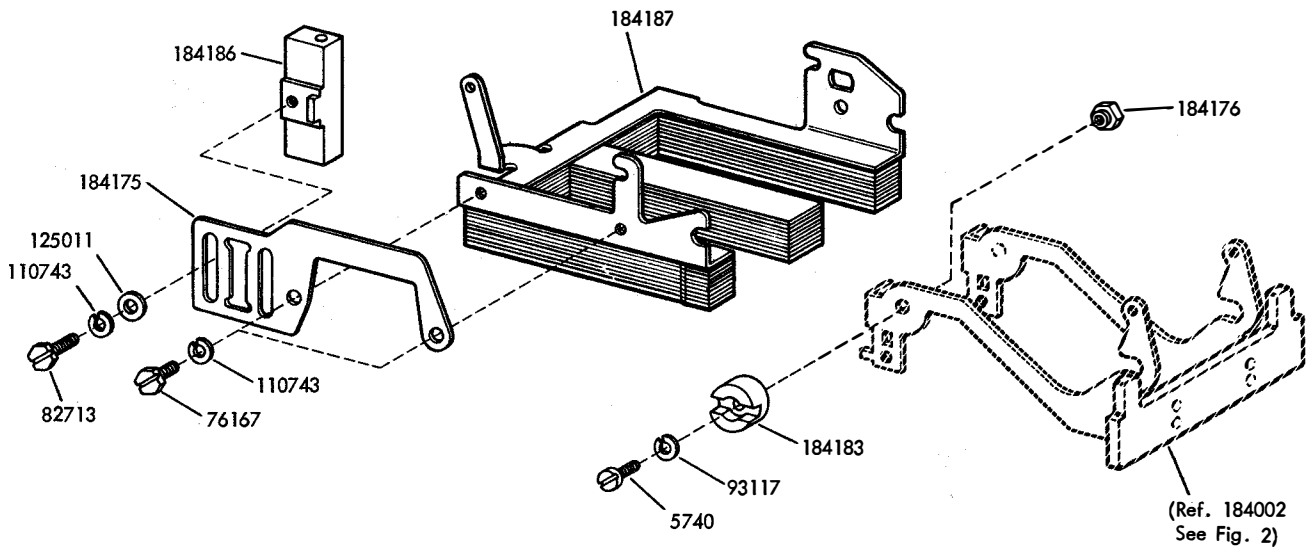


FIGURE 4. REED SWITCH AND MAGNET CORE

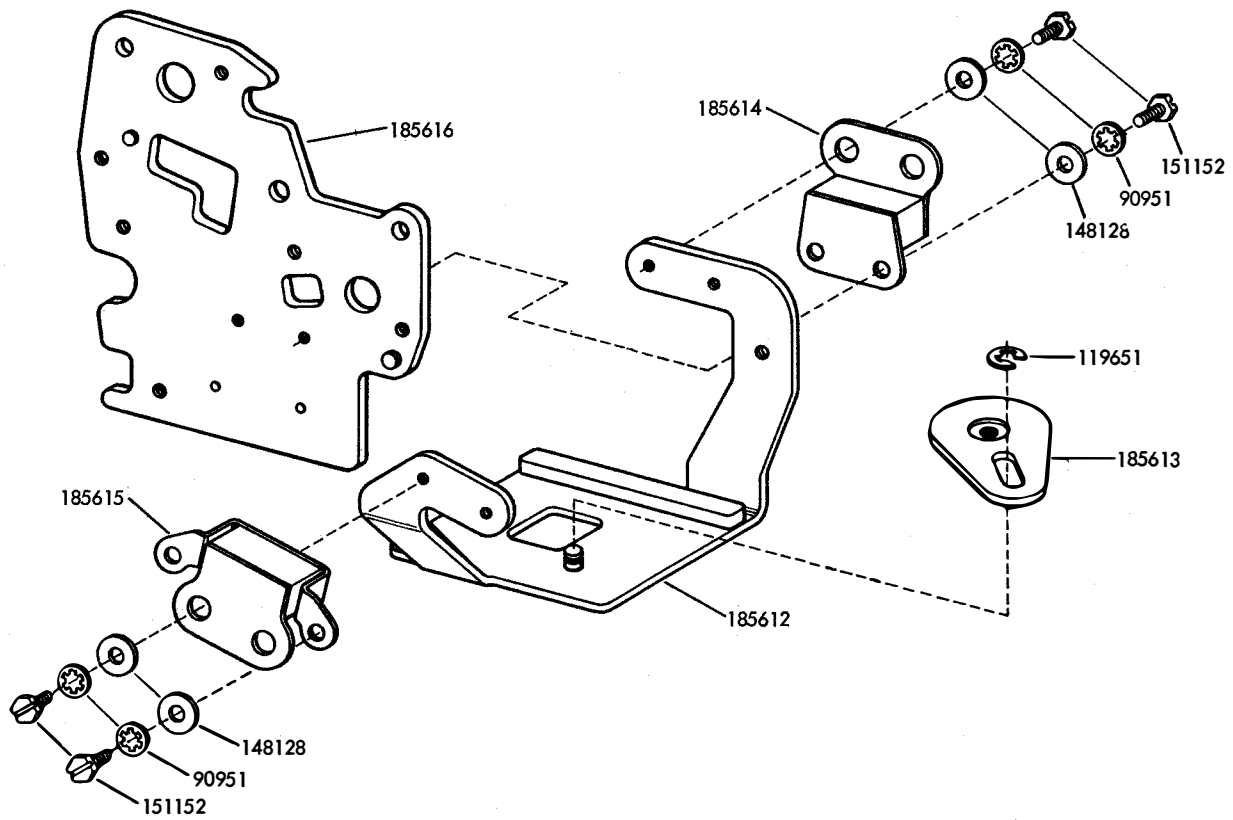


FIGURE 5. VIBRATION MOUNTING

## NUMERICAL INDEX

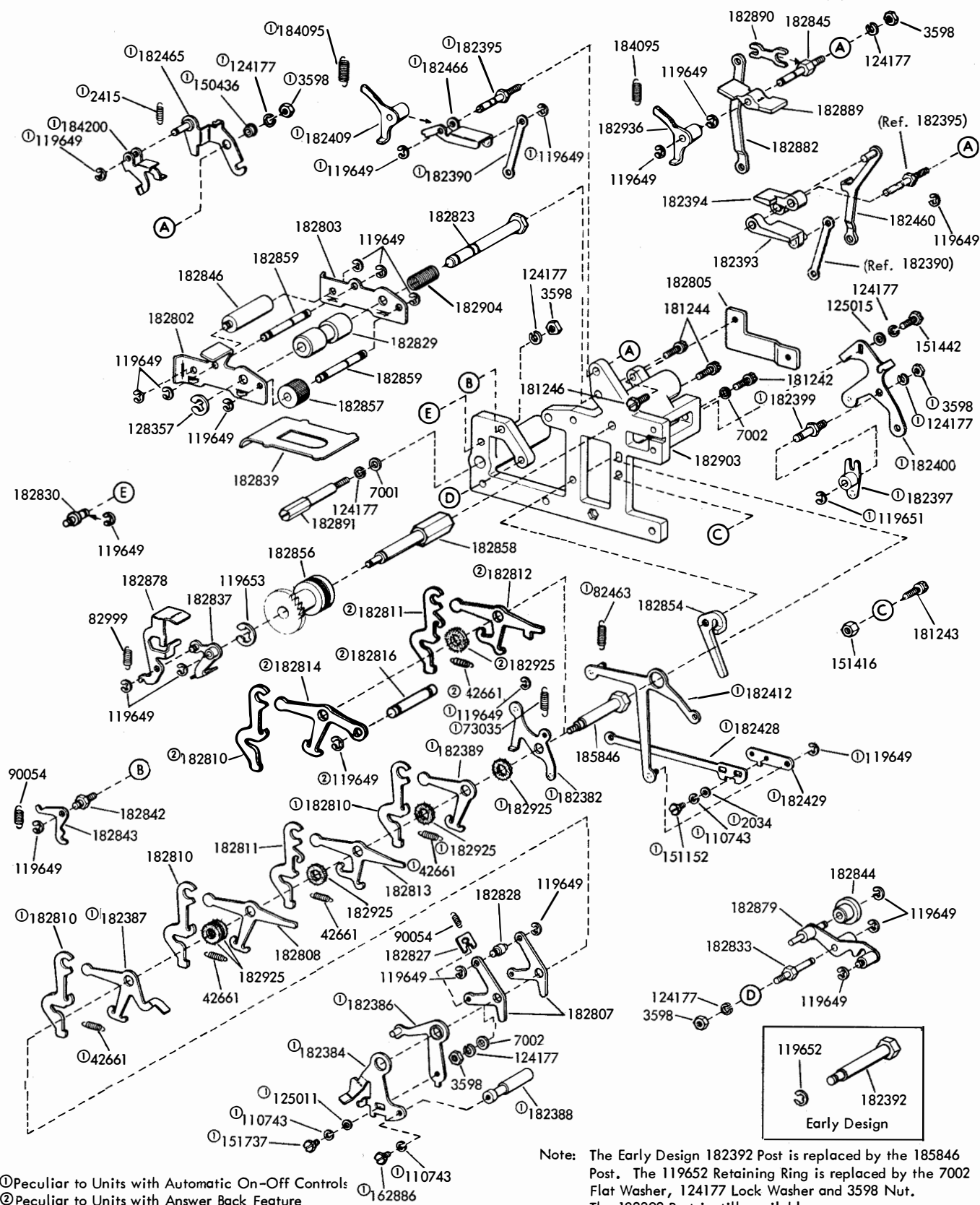
| Part Number | Description and Page Number             | Part Number | Description and Page Number        | Part Number | Description and Page Number |
|-------------|---|-------------|------------------------------------|-------------|-----------------------------|
| 277M        | Coil, Magnet 3                          | 181991      | Plate, Identification 2            | 183050      | Bar, Common 3               |
| 3598        | Nut, 6-40 Hex 2, 3                      | 182251      | Plate, Identification 2            | 183051      | Lever, Detent 3             |
| 5740        | Screw, 2-56 x 1/4 Fil 4                 | 182275      | Wire, Contact 3                    | 183061      | Core, Magnet 3              |
| 42661       | Spring 2                                | 182537      | Terminal 3                         | 183064      | Insulator, Tape Out Pin 2   |
| 76167       | Screw, 4-40 x 3/16 Hex 4                | 182539      | Connector, 15 Pt Receptacle Type 3 | 183070      | Grommet, Spacer 2           |
| 82713       | Screw, 4-40 x 9/32 Hex 4                |             |                                    | 183071      | Wheel, Feed 2               |
| 90517       | Spring 2                                | 182540      | Connector, 15 Pt Plug Type 3       | 183090      | Lever, Detent 3             |
| 90951       | Washer, Lock 4                          | 182643      | Terminal, Plug Type 3              | 183091      | Post 2                      |
| 93117       | Washer, Lock 4                          | 182644      | Terminal, Receptacle Type 3        | 183092      | Cup 2                       |
| 104807      | Washer, Flat 3                          | 182692      | Jumper, 2-1/4" Orange 3            | 183095      | Stud, Tape Guide 2          |
| 110743      | Washer, Lock 2, 3, 4                    | 182726      | Terminal, Receptacle Type 3        | 183097      | Pin, Sensing 3              |
| 111410      | Washer, Flat 2                          | 182851      | Spacer 2                           | 183104      | Spring 3                    |
| 114107      | Spring 2                                | 183004      | Post, Spring 3                     | 183105      | Spring 3                    |
| 119649      | Ring, Retaining 2                       | 183011      | Pawl, Feed 2                       | 183111      | Label 3                     |
| 119651      | Ring, Retaining 2, 3, 4                 | 183015      | Lever, Detent 2                    | 183114      | Sleeve, Insulating 3        |
| 119652      | Ring, Retaining 2                       | 183016      | Pawl, Blocking 2                   | 183115      | Wire, Contact 3             |
| 121245      | Clamp, 5/16 ID Cable 2                  | 183020      | Bracket, Blocking Pawl 2           | 183116      | Wire, Contact 3             |
| 121246      | Clamp, 3/8 ID Cable 2                   | 183023      | Bracket, Detent 2                  | 183124      | Spring 3                    |
| 124177      | Washer, Lock 2, 3                       | 183024      | Wire, Contact 3                    | 183133      | Bracket 2                   |
| 125011      | Washer, Flat 4                          | 183025      | Bracket 2                          | 183136      | Plate 3                     |
| 125015      | Washer, Flat 2                          | 183026      | Post, Contact Block 3              | 184002      | Armature 2, 3, 4            |
| 148128      | Washer, Flat 4                          | 183027      | Shaft, Feed Wheel 2                | 184003      | Shaft, Armature 3           |
| 151152      | Screw, 4-40 x 3/16 Hex 3, 4             | 183029      | Latch, Spring 2                    | 184101      | Plate, Identification 2     |
| 151626      | Terminal 2                              | 183032      | Lid, Tape 2                        | 184104      | Plate, Identification 2     |
| 151880      | Nut, 4-40 Hex 2, 3                      | 183033      | Bail, Tight Tape 2                 | 184175      | Bracket 4                   |
| 152893      | Screw, 4-40 x 1/4 Hex 3                 | 183034      | Lever, Tight Tape 2                | 184176      | Nut, 2-56 Shoulder Hex 4    |
| 158148      | Washer, Felt 2                          | 183035      | Guide, Sensing Pin 3               | 184183      | Magnet 4                    |
| 172993      | Spring 2                                | 183036      | Plate, Back 2, 3                   | 184186      | Switch, Reed 4              |
| 180041      | Spring 3                                | 183037      | Screw, 4-40 Shoulder 3             | 184187      | Core, Magnet 4              |
| 180044      | Terminal, Tab Type 3                    | 183038      | Bushing, Upstop 3                  | 185612      | Bracket 4                   |
| 180902      | Jumper, 3-1/2" Braided 2                | 183039      | Buffer, Upstop 3                   | 185613      | Plate, Nut 4                |
| 181240      | Screw w/Lockwasher, 6-40 x 3/16 Hex 2   | 183041      | Bracket, Upstop 3                  | 185614      | Mount, Left Vibration 4     |
| 181241      | Screw w/Lockwasher, 6-40 x 1/4 Hex 2, 3 | 183042      | Spring, Compression 3              | 185615      | Mount, Right Vibration 4    |
| 181242      | Screw w/Lockwasher, 6-40 x 5/16 Hex 2   | 183044      | Pin, Tape-Out 2                    | 185616      | Plate 4                     |
|             |   | 183045      | Lever, Start-Stop 3                | 185617      | Core, Magnet 3              |
|             |   | 183048      | Plate, Top 2, 3                    | 195614      | Pin, Key 3                  |
|             |   | 183049      | Block, Contact 3                   |             |                             |



33 TAPE PUNCH (UPE)

PARTS

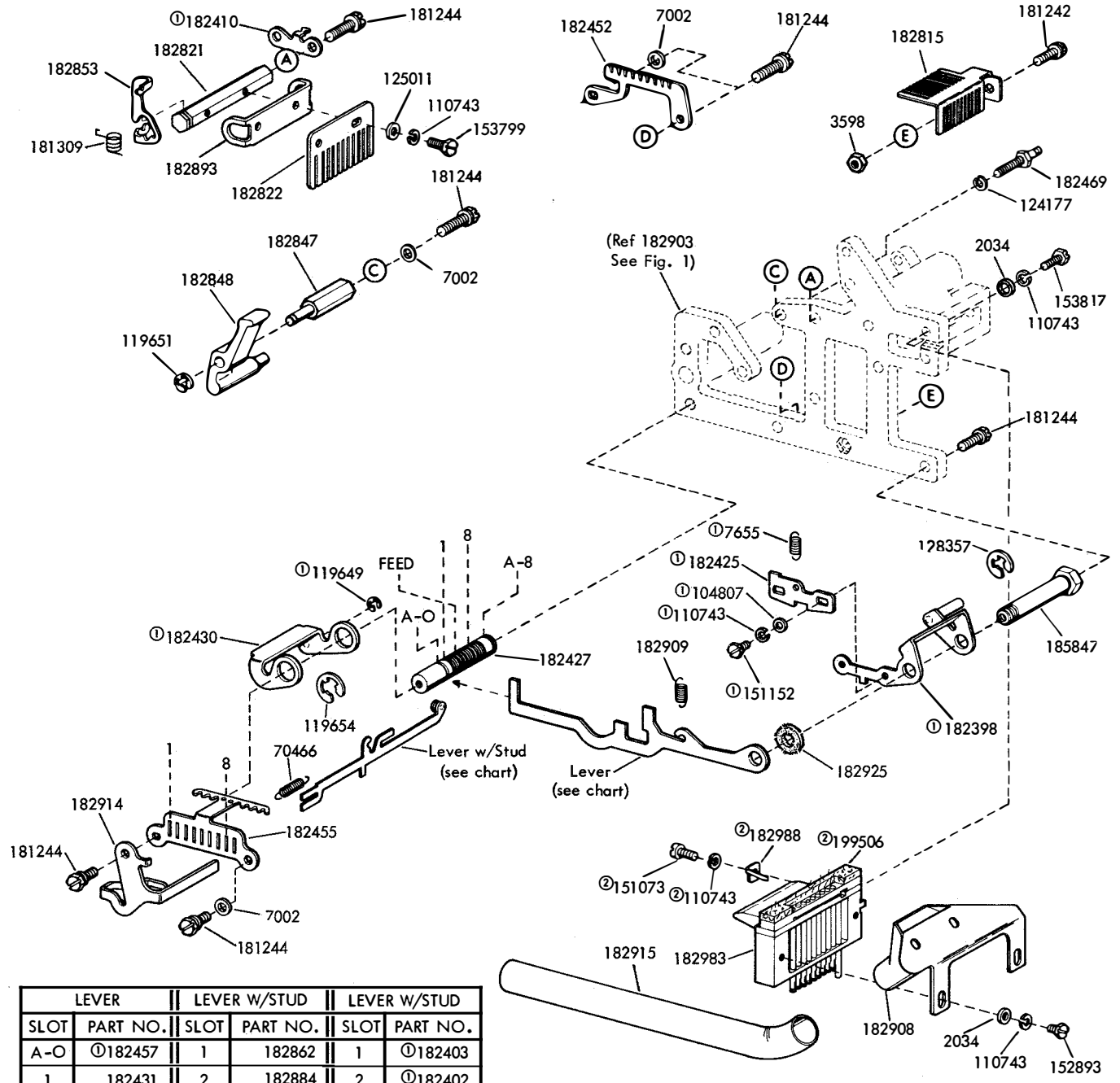
| FIGURE | CONTENTS                    | PAGE |
|--------|-----------------------------|------|
| 1      | Punch Mechanism             | 2    |
| 2      | Punch Mechanism (Continued) | 3    |
| 3      | Power Bail Mechanisms       | 4    |
|        | Numerical Index             | 5    |



- ① Peculiar to Units with Automatic On-Off Controls
- ② Peculiar to Units with Answer Back Feature

Note: The Early Design 182392 Post is replaced by the 185846 Post. The 119652 Retaining Ring is replaced by the 7002 Flat Washer, 124177 Lock Washer and 3598 Nut. The 182392 Post is still available.

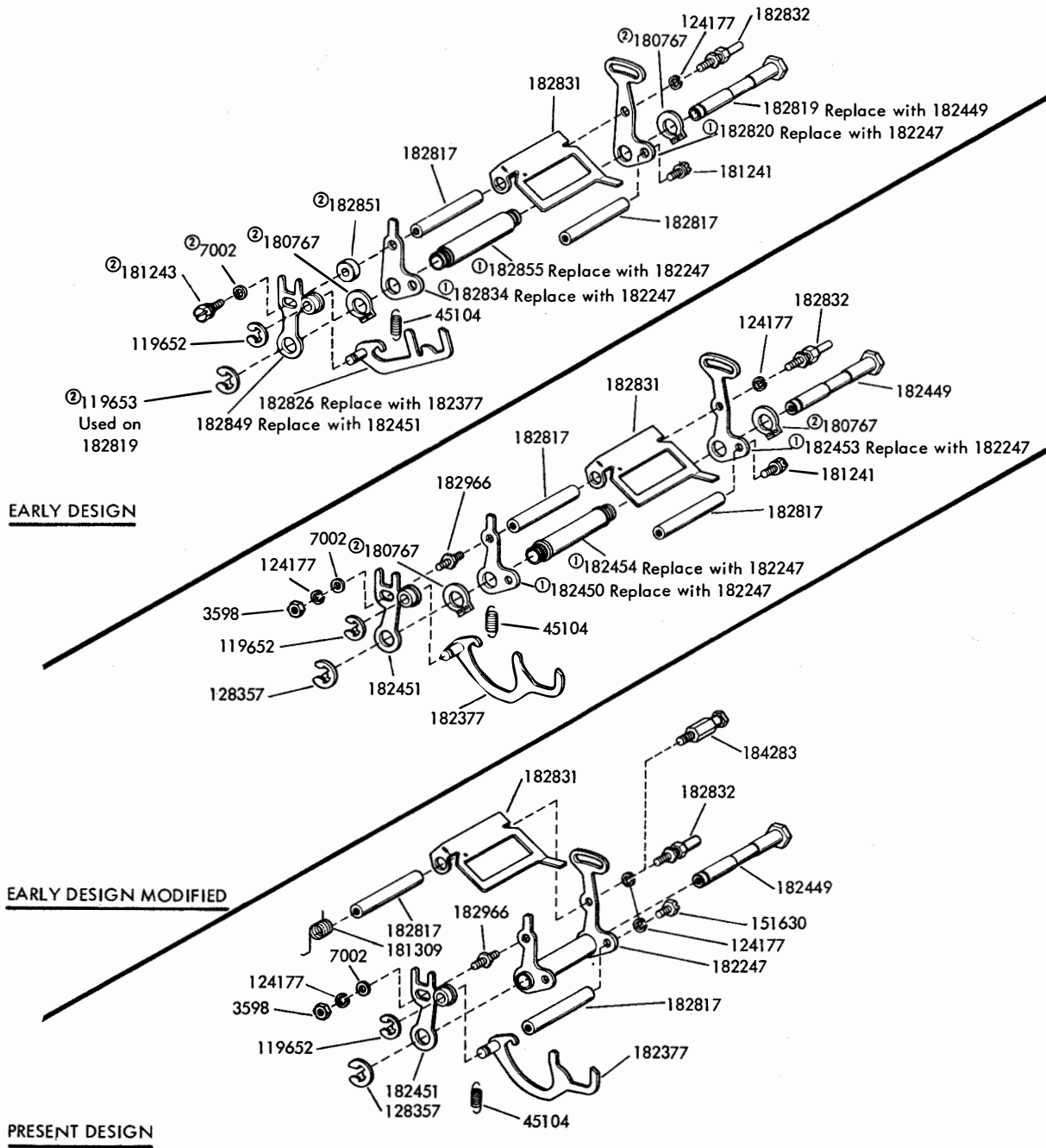
FIGURE 1 PUNCH MECHANISM



| LEVER |          | LEVER W/STUD |          | LEVER W/STUD |          |
|-------|----------|--------------|----------|--------------|----------|
| SLOT  | PART NO. | SLOT         | PART NO. | SLOT         | PART NO. |
| A-O   | ①182457  | 1            | 182862   | 1            | ①182403  |
| 1     | 182431   | 2            | 182884   | 2            | ①182402  |
| 2     | 182432   | 3            | 182885   | 3            | ①182404  |
| 3     | 182433   | 4            | 182864   | 4            | ①182864  |
| FEED  | 182872   | 5            | 182886   | 5            | ①182406  |
| 4     | 182434   | 6            | 182887   | 6            | ①182887  |
| 5     | 182435   | 7            | 182861   | 7            | ①182861  |
| 6     | 182437   | 8            | 182888   | 8            | ①182888  |
| 7     | 182438   |              |          |              |          |
| 8     | 182439   |              |          |              |          |
| A-8   | ①182457  |              |          |              |          |

① Peculiar to Units with Automatic On-Off Controls  
 ② Supplied with 182983

FIGURE 2. PUNCH MECHANISM (Continued)



① Must be replaced with 182247 Sleeve w/Plates, 181309 Spring and 128357 Ring, Retaining (3598, 124177, 7002 and 182966 may also be ordered to update entire Power Bail Mechanism)  
 ② Use only with Earlier Design Mechanisms

FIGURE 3. POWER BAIL MECHANISMS



## NUMERICAL INDEX

| Part Number | Description and Page Number              | Part Number | Description and Page Number | Part Number | Description and Page Number |
|-------------|--|-------------|-----------------------------|-------------|-----------------------------|
| 2034        | Washer, Flat 2, 3                        | 182394      | Lever 2                     | 182828      | Roller 2                    |
| 2415        | Spring 2                                 | 182395      | Post 2                      | 182829      | Sleeve 2                    |
| 3598        | Nut, 6-40 Hex 2, 3, 4                    | 182397      | Lever 2                     | 182830      | Post, Spring 2              |
| 7001        | Washer, Flat 2                           | 182398      | Bail w/Post 3               | 182831      | Bail 4                      |
| 7002        | Washer, Flat 2, 3, 4                     | 182399      | Post, Eccentric 2           | 182832      | Post 4                      |
| 7655        | Spring 3                                 | 182400      | Plate w/Stud 2              | 182833      | Post 2                      |
| 42661       | Spring 2                                 | 182402      | Lever w/Stud 3              | 182834      | Plate 4                     |
| 45104       | Spring 4                                 | 182403      | Lever w/Stud 3              | 182837      | Lever w/Post 2              |
| 70466       | Spring 3                                 | 182404      | Lever w/Stud 3              | 182839      | Plate 2                     |
| 73035       | Spring 2                                 | 182406      | Lever w/Stud 3              | 182842      | Post 2                      |
| 82463       | Spring 2                                 | 182409      | Arm w/Stud 2                | 182843      | Lever 2                     |
| 82999       | Spring 2                                 | 182410      | Plate, Spring 3             | 182844      | Roller 2                    |
| 90054       | Spring 2                                 | 182412      | Lever w/Stud 2              | 182845      | Post 2                      |
| 104807      | Washer, Flat 3                           | 182425      | Arm 3                       | 182846      | Roller 2                    |
| 110743      | Washer, Lock 2, 3                        | 182427      | Post 3                      | 182847      | Post 3                      |
| 119649      | Ring, Retaining 2, 3                     | 182428      | Link 2                      | 182848      | Arm 3                       |
| 119651      | Ring, Retaining 2, 3                     | 182429      | Plate 2                     | 182849      | Plate w/Bushing 4           |
| 119652      | Ring, Retaining 2, 4                     | 182430      | Bail w/Stud 3               | 182851      | Spacer, .062" Thk 4         |
| 119653      | Ring, Retaining 2, 4                     | 182431      | Lever 3                     | 182853      | Hook 3                      |
| 119654      | Ring, Retaining 3                        | 182432      | Lever 3                     | 182854      | Bracket 2                   |
| 124177      | Washer, Lock 2, 3, 4                     | 182433      | Lever 3                     | 182855      | Sleeve 4                    |
| 125011      | Washer, Flat 2, 3                        | 182434      | Lever 3                     | 182856      | Wheel, 2AT 2                |
| 125015      | Washer, Flat 2                           | 182435      | Lever 3                     | 182857      | Roller 2                    |
| 128357      | Ring, Retaining 2, 3, 4                  | 182437      | Lever 3                     | 182858      | Post 2                      |
| 150436      | Bushing 2                                | 182438      | Lever 3                     | 182859      | Post 2                      |
| 151073      | Screw, 4-40 x 5/32 Fil 3                 | 182439      | Lever 3                     | 182861      | Lever w/Stud 3              |
| 151152      | Screw, 4-40 x 3/16 Hex 2, 3              | 182449      | Post 4                      | 182862      | Lever w/Stud 3              |
| 151416      | Nut, 6-40 Hex 2                          | 182450      | Plate 4                     | 182864      | Lever w/Stud 3              |
| 151442      | Screw, 6-40 x 1/2 Hex 2                  | 182451      | Plate w/Bushing 4           | 182872      | Lever 3                     |
| 151630      | Screw, 6-40 x 1/4 Hex 4                  | 182452      | Plate, Guide 3              | 182878      | Lever 2                     |
| 151737      | Screw, 4-40 x 11/64 Hex 2                | 182453      | Plate 4                     | 182879      | Lever 2                     |
| 152893      | Screw, 4-40 x 1/4 Hex 3                  | 182454      | Sleeve 4                    | 182882      | Link 2                      |
| 153799      | Screw, 4-40 x 21/64 Hex 3                | 182455      | Bracket 3                   | 182884      | Lever w/Stud 3              |
| 153817      | Screw, 4-40 x 3/8 Hex 3                  | 182457      | Lever 3                     | 182885      | Lever w/Stud 3              |
| 162886      | Screw, 4-40 x 7/32 Hex 2                 | 182460      | Link 2                      | 182886      | Lever w/Stud 3              |
| 180767      | Ring, Retaining 4                        | 182465      | Bracket 2                   | 182887      | Lever w/Stud 3              |
| 181241      | Screw w/Lockwasher, 6-40 x 1/4 Hex 4     | 182466      | Lever w/Post 2              | 182888      | Lever w/Stud 3              |
| 181242      | Screw w/Lockwasher, 6-40 x 5/16 Hex 2, 3 | 182469      | Post, Spring 3              | 182889      | Lever 2                     |
| 181243      | Screw w/Lockwasher, 6-40 x 3/8 Hex 2, 4  | 182802      | Bracket 2                   | 182890      | Plate 2                     |
| 181244      | Screw w/Lockwasher, 6-40 x 7/16 Hex 2, 3 | 182803      | Plate 2                     | 182891      | Screw, 6-40 Spl 2           |
| 181246      | Screw w/Lockwasher, 6-40 x 5/8 Hex 2     | 182805      | Plate 2                     | 182893      | Bracket 3                   |
| 181309      | Spring, Torsion 3, 4                     | 182807      | Lever 2                     | 182903      | Casting 2, 3                |
| 182247      | Sleeve w/Plates 4                        | 182808      | Lever 2                     | 182904      | Spring, Compression 2       |
| 182377      | Pawl w/Stud 4                            | 182810      | Pawl 2                      | 182908      | Chute, Chad 3               |
| 182382      | Lever 2                                  | 182811      | Pawl 2                      | 182909      | Spring 3                    |
| 182384      | Lever 2                                  | 182812      | Lever 2                     | 182914      | Bracket 3                   |
| 182386      | Lever 2                                  | 182813      | Lever 2                     | 182915      | Extension 3                 |
| 182387      | Lever 2                                  | 182814      | Lever 2                     | 182925      | Washer, Felt 2, 3           |
| 182388      | Post 2                                   | 182815      | Bracket 3                   | 182936      | Arm w/Bushing 2             |
| 182389      | Lever 2                                  | 182816      | Shaft 2                     | 182966      | Stud 4                      |
| 182390      | Link 2                                   | 182817      | Post 4                      | 182983      | Block Assembly, Punch 3     |
| 182392      | Post 2                                   | 182819      | Post 4                      | 182988      | Spring, Punch Block 3       |
| 182393      | Post 2                                   | 182820      | Plate 4                     | 184095      | Spring 2                    |
|             |  | 182821      | Post 3                      | 184200      | Bail 2                      |
|             |  | 182822      | Plate 3                     | 184283      | Post, Guide 4               |
|             |  | 182823      | Post 2                      | 185846      | Post 2                      |
|             |  | 182826      | Pawl w/Stud 4               | 185847      | Post 3                      |
|             |  | 182827      | Plate 2                     | 199506      | Gasket 3                    |



33 COVER AND TABLE

PARTS

| FIGURE | CONTENTS   | PAGE |
|--------|--|------|
| 1      | Printer Covers   | 2    |
| 2      | Punch Cover and Base   | 3    |
| 3      | Reader Cover and Base  | 4    |
| 4      | Faceplates   | 5    |
| 5      | Cover and Tape Storage Bin   | 6    |
| 6      | Cabinet  | 7    |
| 7      | Lid and Copyholder   | 8    |
| 8      | 183976 Adjustable Copyholder Assembly                                  | 9    |
| 9      | 182134, 182149 and 184194 Power Pack Assemblies                        | 10   |
| 10     | 181720 Power Pack Assembly   | 10   |
| 11     | 184074 Outlet Box Assembly   | 11   |
| 12     | 183859 Modification Kit to Provide Paper Supply and Accumulating Shelf | 12   |
|        | Numerical Index  | 13   |

| PAINT FINISH COLOR CODE CHART                       |                 |               |                |              |                     |                 |               |                |                          |         |
|---|-----------------|---------------|----------------|--------------|---------------------|-----------------|---------------|----------------|--------------------------|---------|
| (for parts and assemblies requiring a paint finish) |                 |               |                |              |                     |                 |               |                |                          |         |
| Color   | Finish Suffixes |               |                |              | Color               | Finish Suffixes |               |                |                          |         |
|   | Wrinkle Finish  | Smooth Finish | Textured Vinyl | Smooth Vinyl |                     | Wrinkle Finish  | Smooth Finish | Textured Vinyl | Smooth Vinyl             |         |
| Beige   | AA (37)         | ET            |                |              | Gray, Federal       | AB (40)         | BV            | GG             | HB (68)<br>HE<br>HF (46) |         |
| Beige, Light  |                 | EL            |                |              | HC                  |                 | Gray, Green   | BK             |                          | GA (45) |
| Beige, Rose   |                 | ER            |                |              | Gray, Light         |                 | EJ            |                |                          |         |
| Black   |                 | BA (34)       |                |              | Gray, Covert        |                 | EW            | GE             |                          |         |
| Black, High Gloss                                   |                 | BB            |                |              | Gray, Olive         |                 |               |                |                          |         |
| Black, Semi Gloss                                   |                 | EK            |                |              | Gray, Maritime Deck |                 | AJ            | BJ             |                          |         |
| Blue, Aquo  |                 | EC            |                |              | Gray, Oxford        |                 | AB (40)       | EP             |                          |         |
| Blue, Brussels Light                                |                 | ES            |                |              | Green, Gray         |                 |               | BK             |                          | GA (45) |
| Blue, Medium  |                 |               |                |              | Green, Moss         |                 | EN            |                |                          | HD      |
| Brown, Dark   |                 | AD (38)       |                |              | Ivory               |                 | EM            |                |                          |         |
| Brown, Light  | AC (39)         |               | EU             |              |                     |                 |               |                |                          |         |
| Fawn  |                 | GC            | EV             |              |                     |                 |               |                |                          |         |
| Gray, Beige   | AL              | BZ            | EH             |              |                     |                 |               |                |                          |         |
| Gray, Charcoal                                      |                 | GF            | HA             | EG           |                     |                 |               |                |                          |         |
| Gray, Dark  |                 | GB            |                |              |                     |                 |               |                |                          |         |
|   |                 |               |                |              | White               |                 |               |                |                          |         |
|   |                 |               |                |              | Yellow, Pastel      |                 |               |                |                          |         |

The double asterisk (\*\*) denotes a painted part. Suffix to be applied following the part number. Number in parentheses indicates Bell System code.

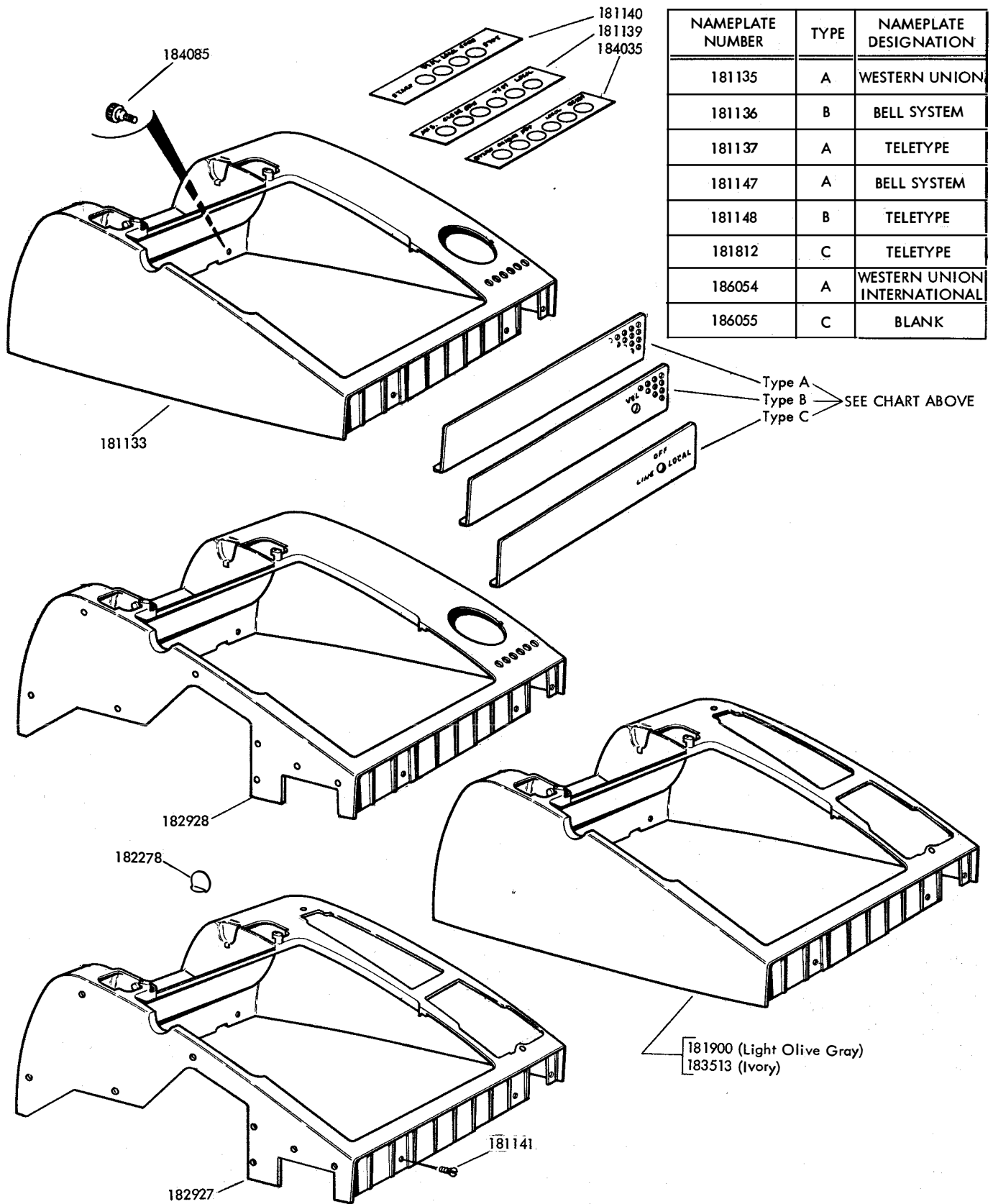
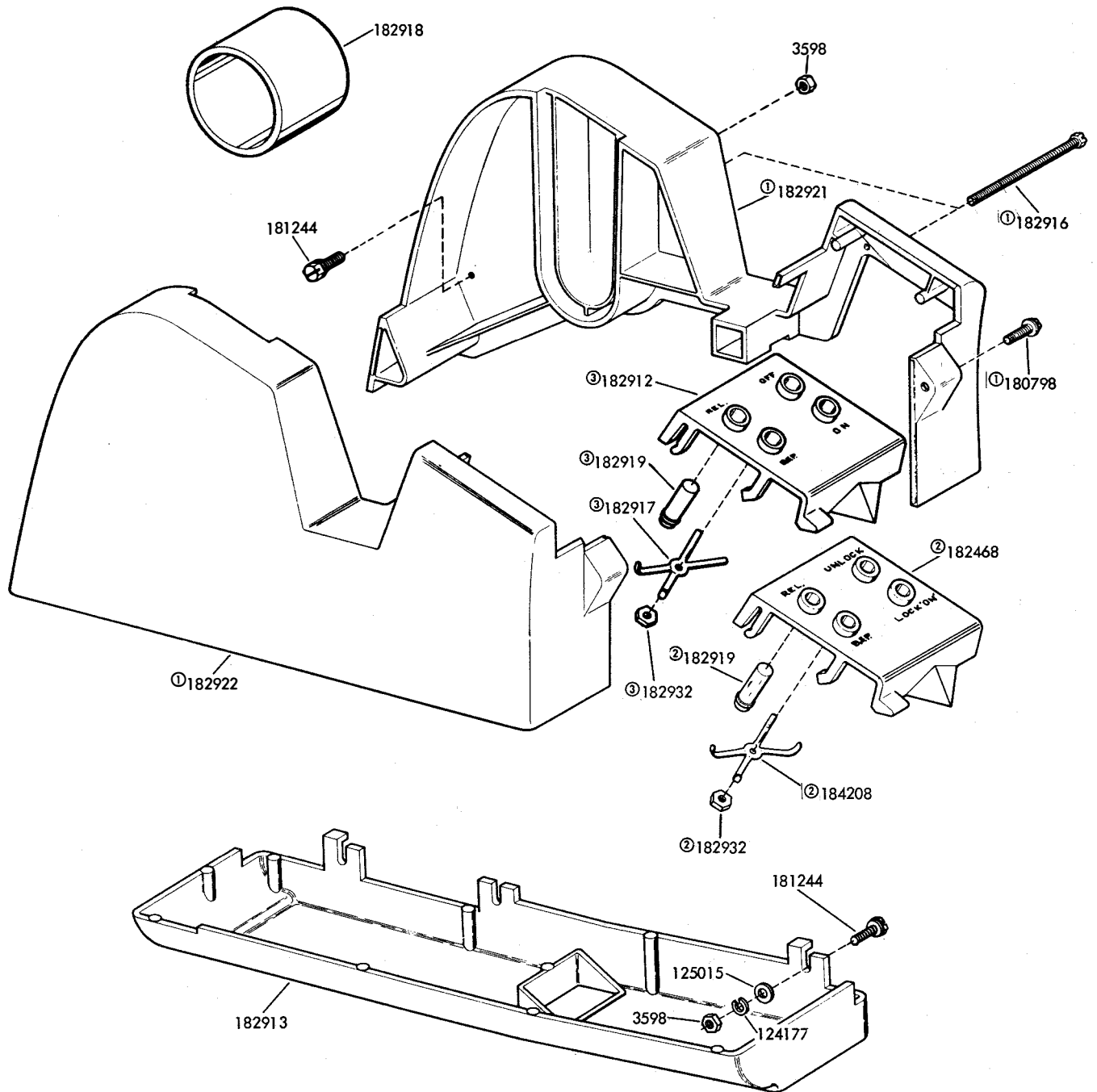
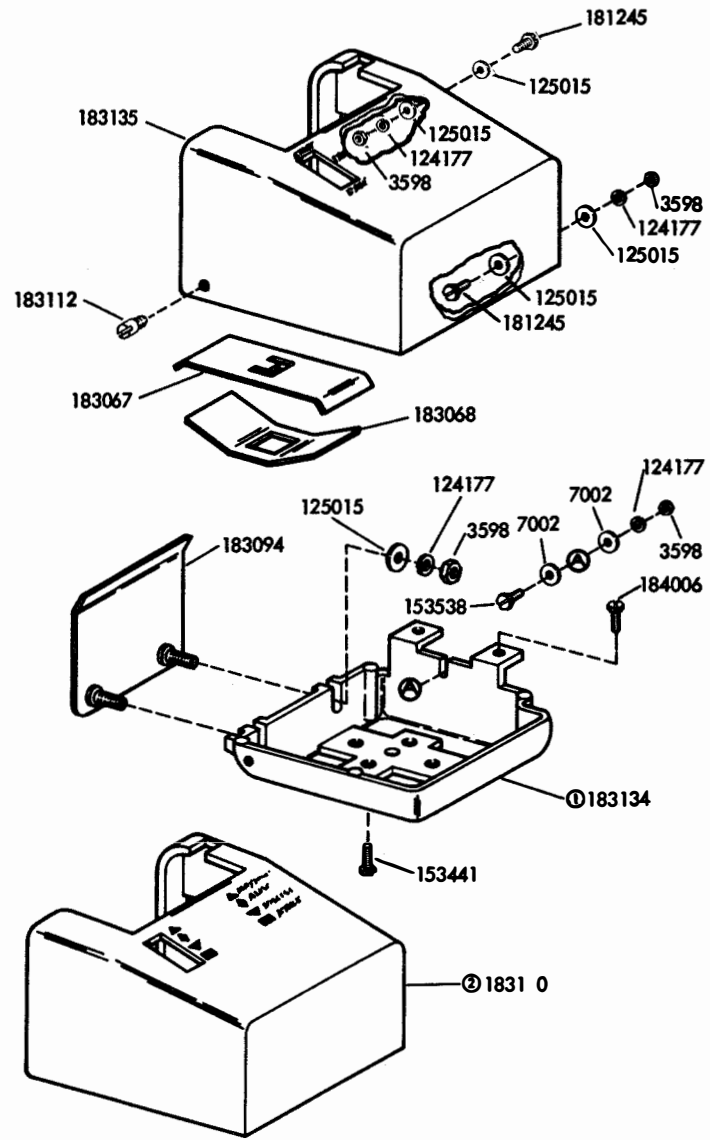
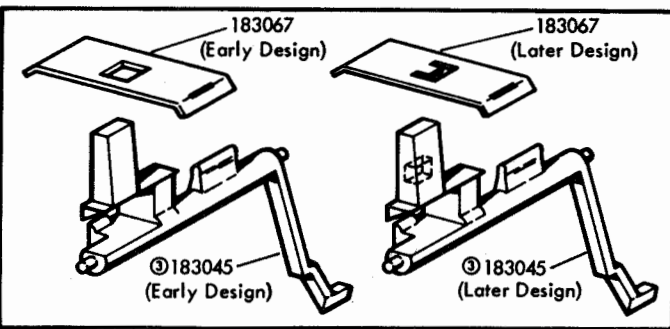
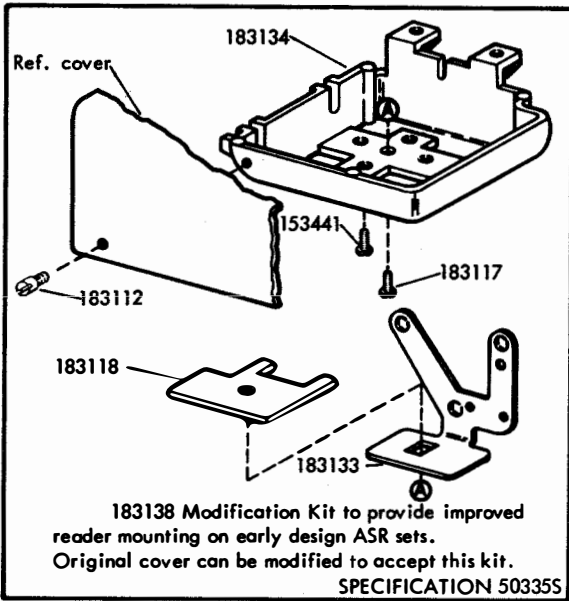
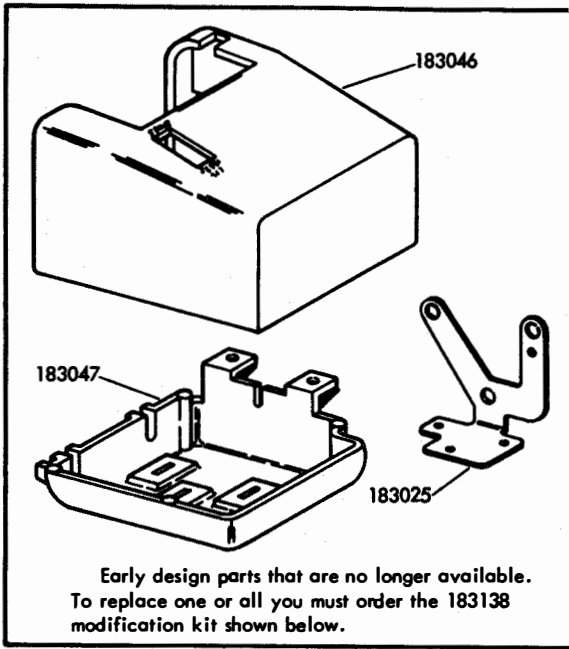


FIGURE 1. PRINTER COVERS



- ① Part of 182926
- ② Part of 184206 (For automatic On-Off control)
- ③ Part of 182109 (For manual On-Off control)

FIGURE 2. PUNCH COVER AND BASE

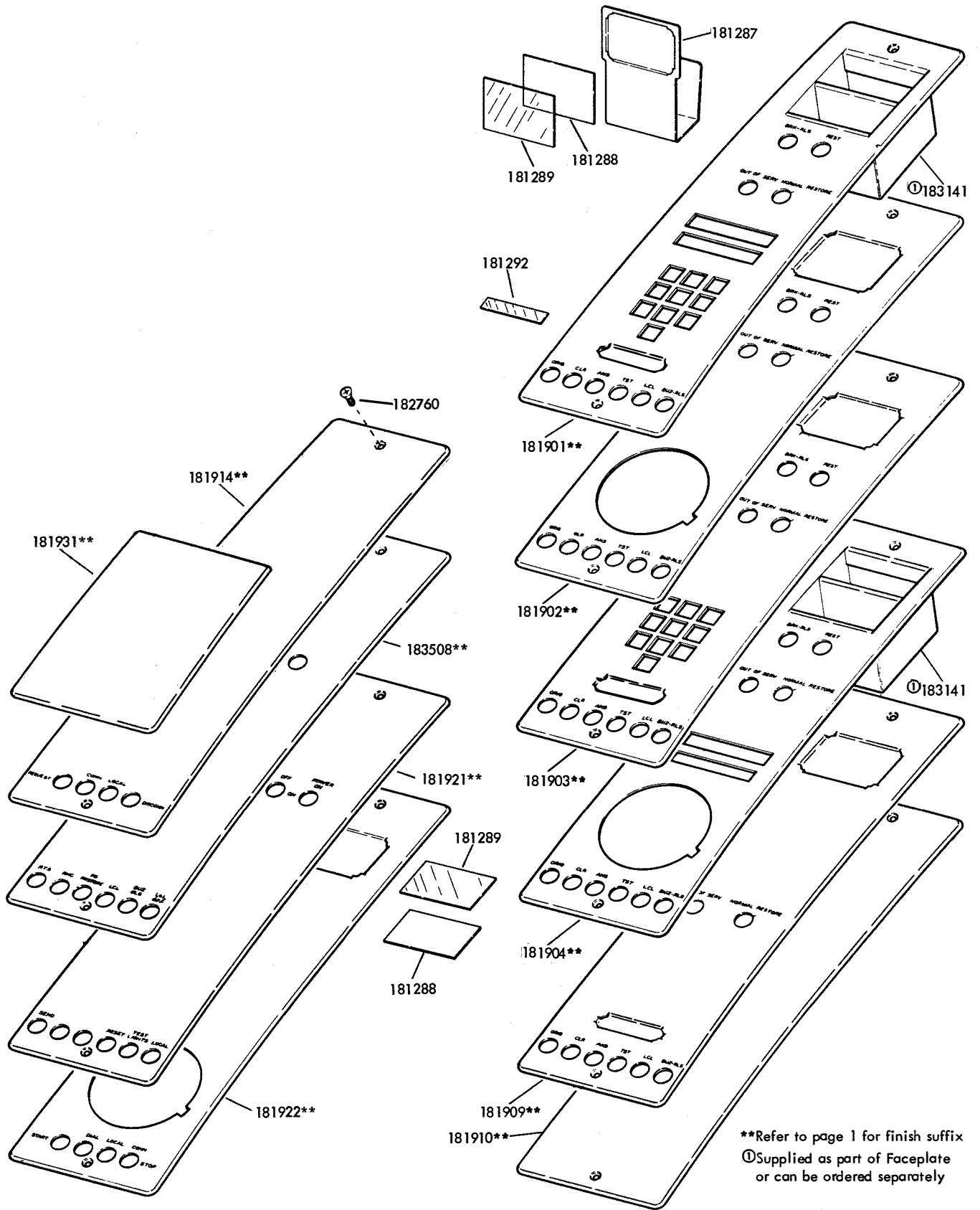


① A new 185700 laminated sheet steel base has been designed to replace the three individual castings mounting the typing unit with motor, keyboard and associated call control unit, the perforator, and the reader. However, the 183134 base (shown on this figure) is still available for replacement purposes

② Automatic reader control cover

③ The 183067 shield and the 183045 start & stop lever have been redesigned but retain their original numbers. The new style lever can be used with the old style shield but the new style shield must be used with the new style lever

FIGURE 3. READER COVER AND BASE



\*\*Refer to page 1 for finish suffix  
 ⓐ Supplied as part of Faceplate  
 or can be ordered separately

FIGURE 4. FACEPLATES

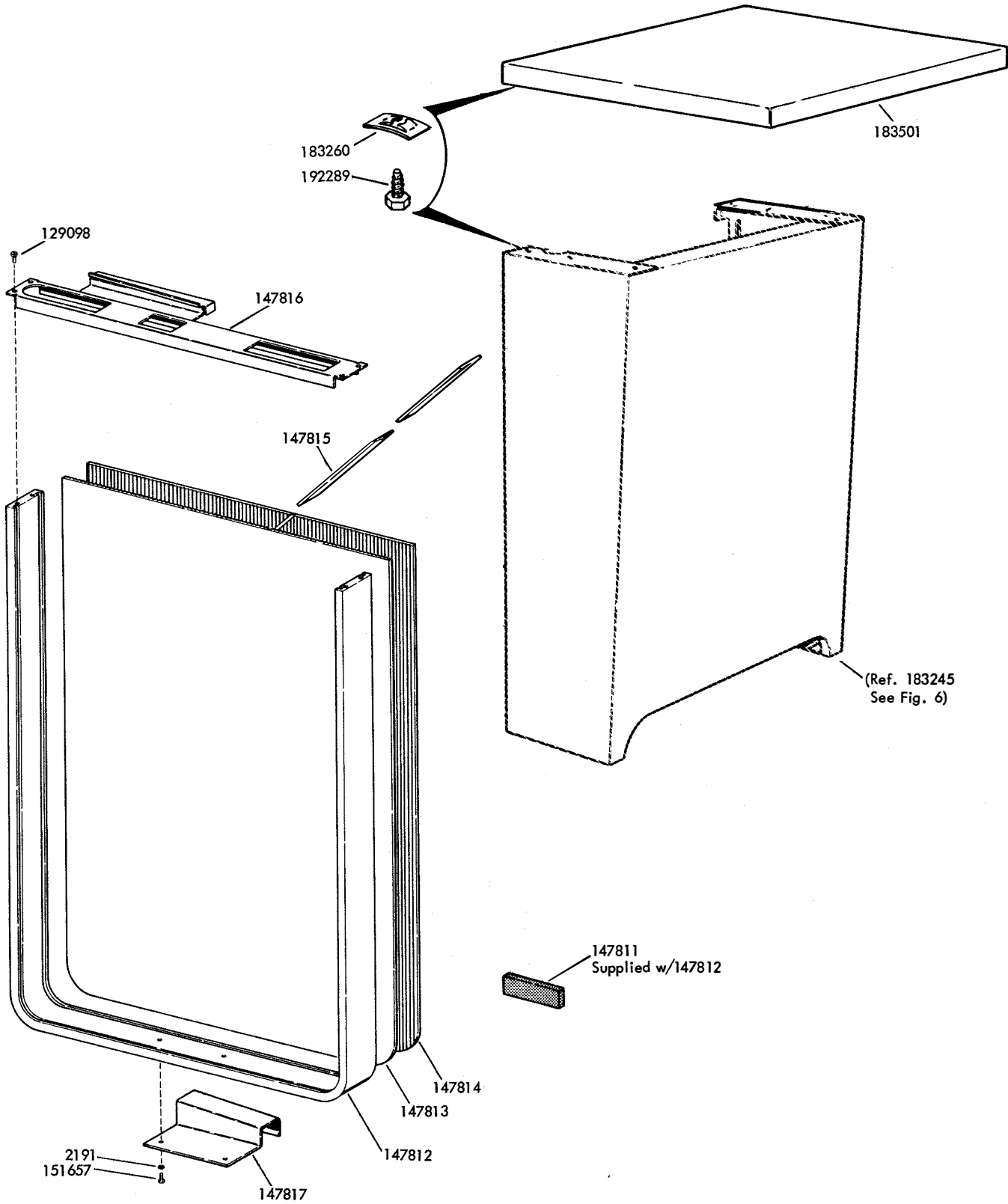


FIGURE 5. COVER AND TAPE STORAGE BIN



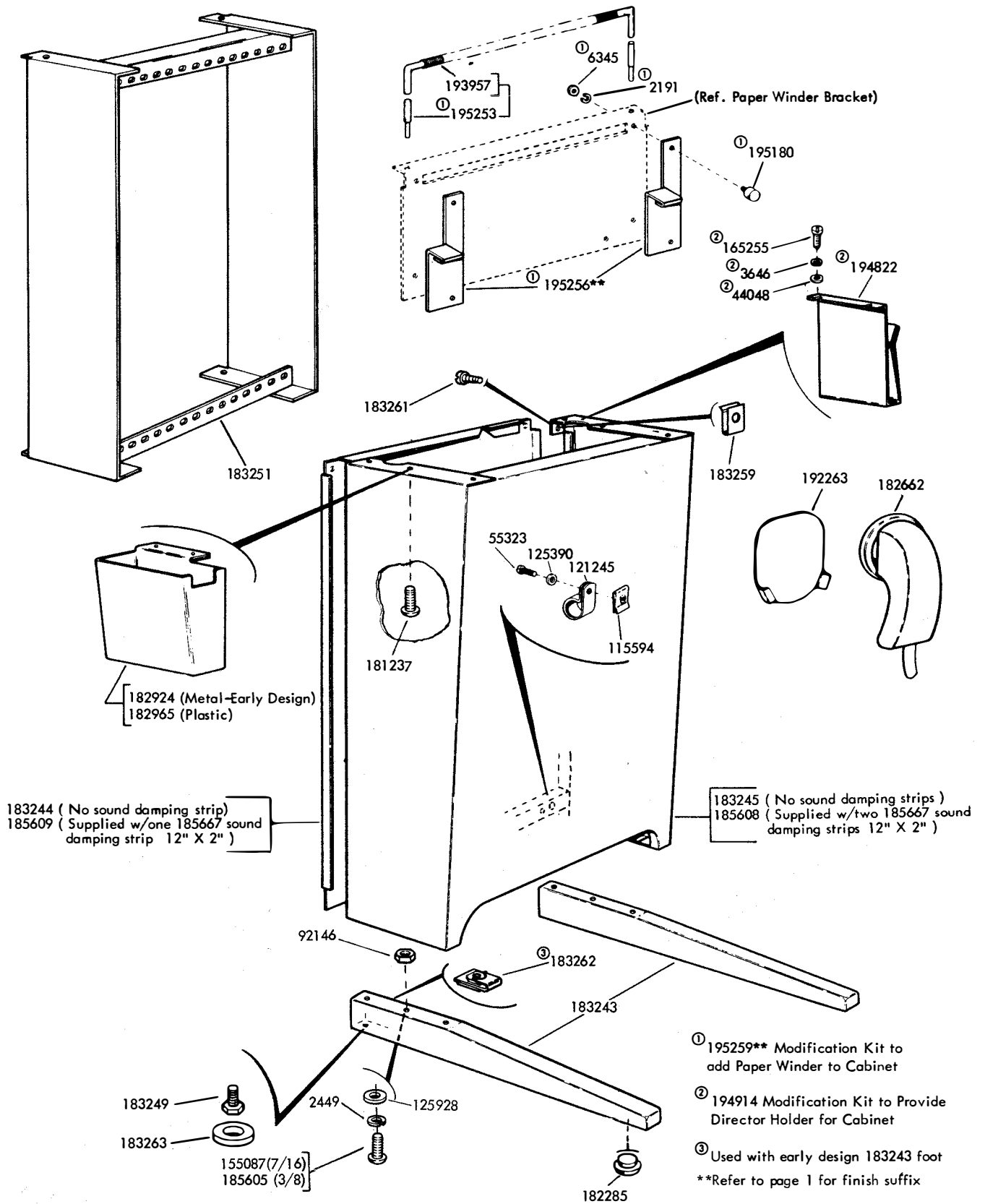
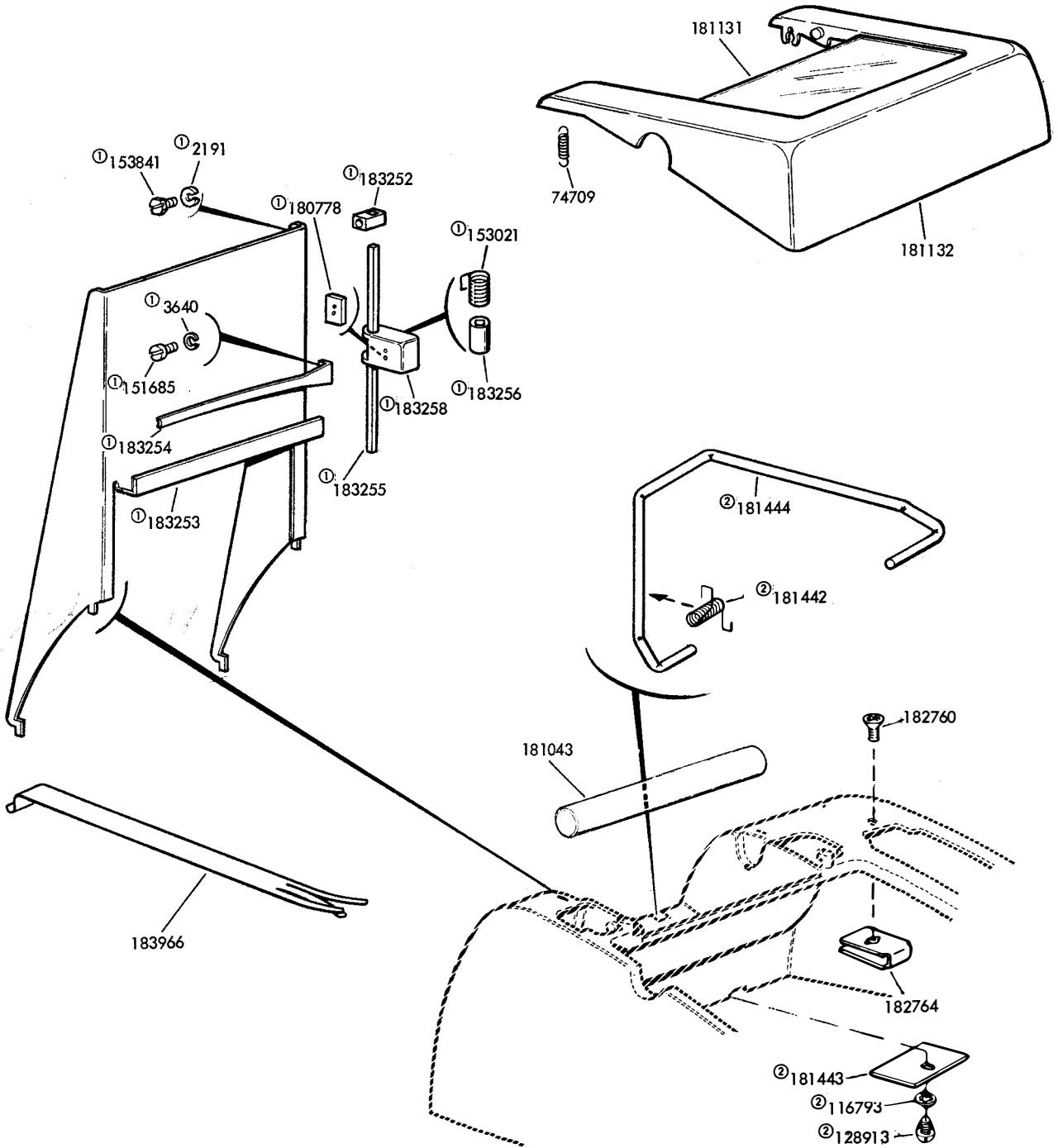


FIGURE 6. CABINET



① Part of the 182036 Copyholder Assembly  
 ② Used with Sets Having Low Paper Alarm

FIGURE 7. LID AND COPYHOLDER

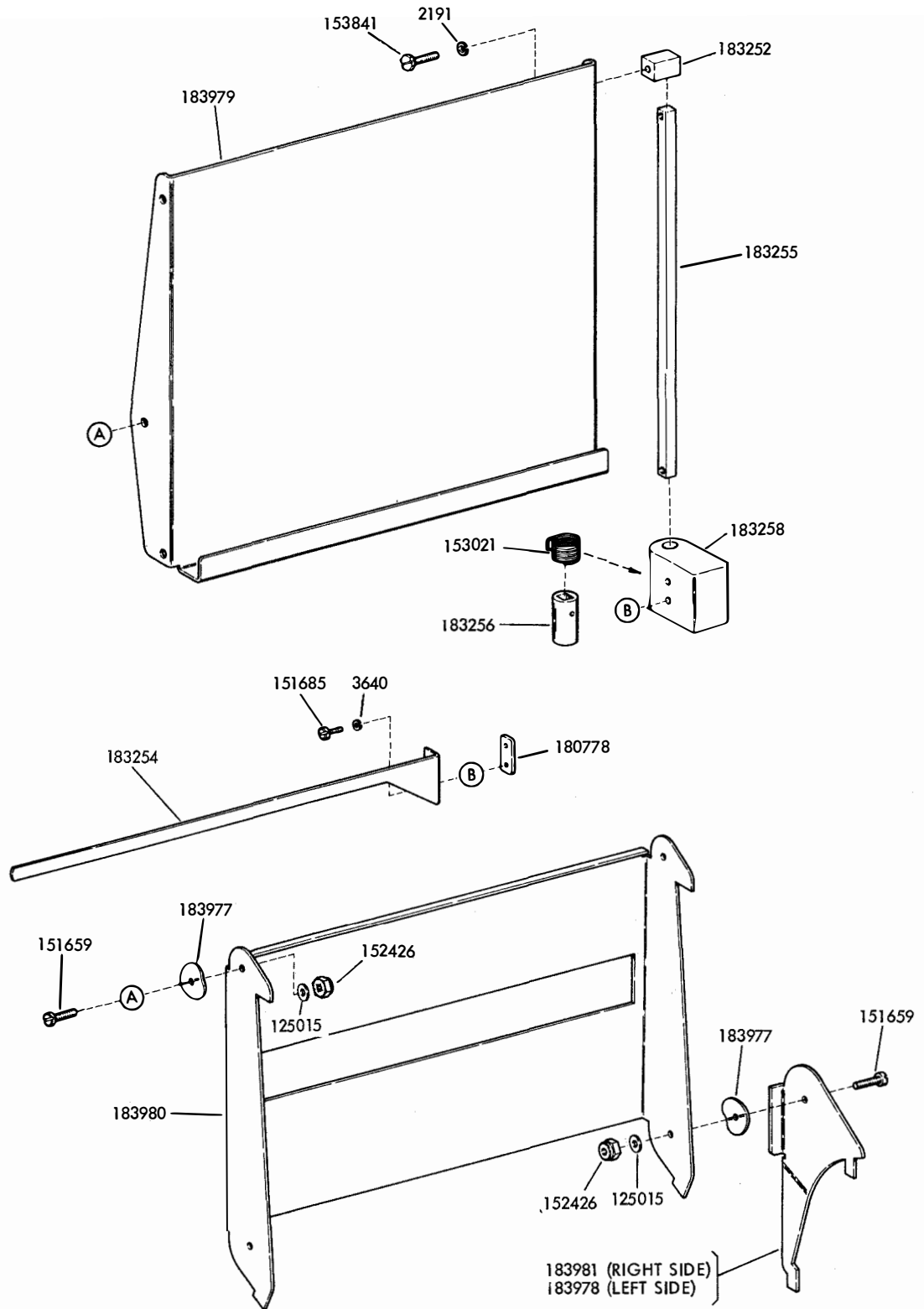


FIGURE 8. 183976 ADJUSTABLE COPYHOLDER ASSEMBLY

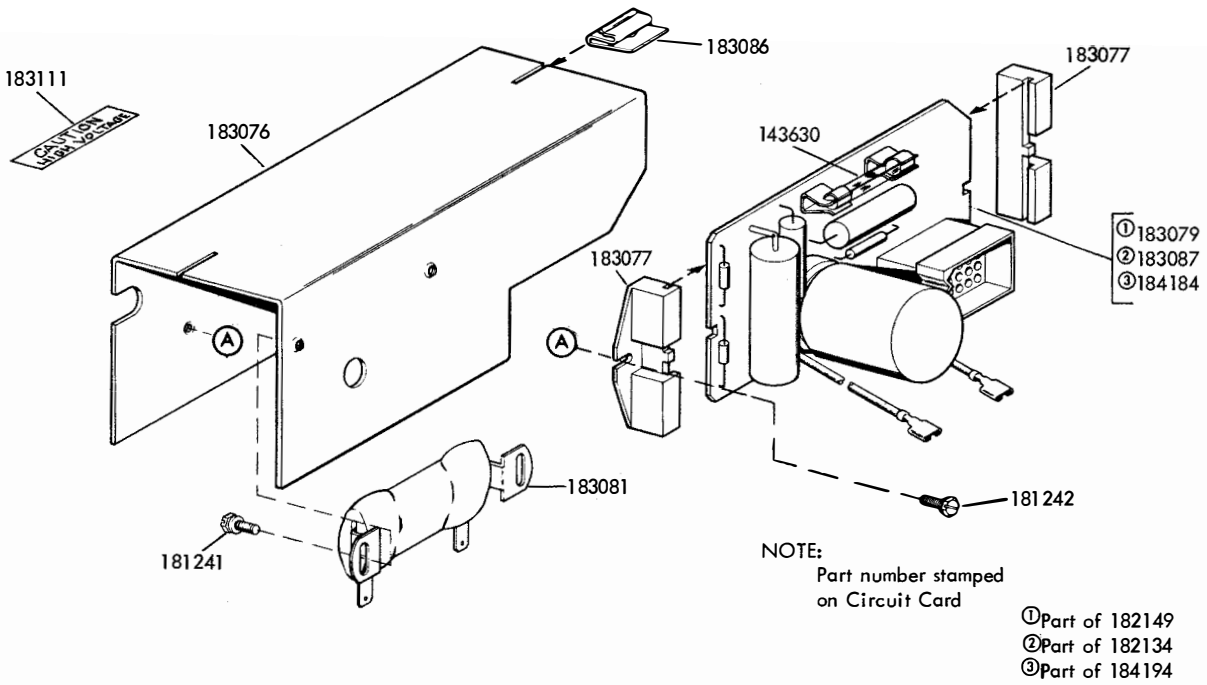


FIGURE 9. 182134, 182149 AND 184194 POWER PACK ASSEMBLIES

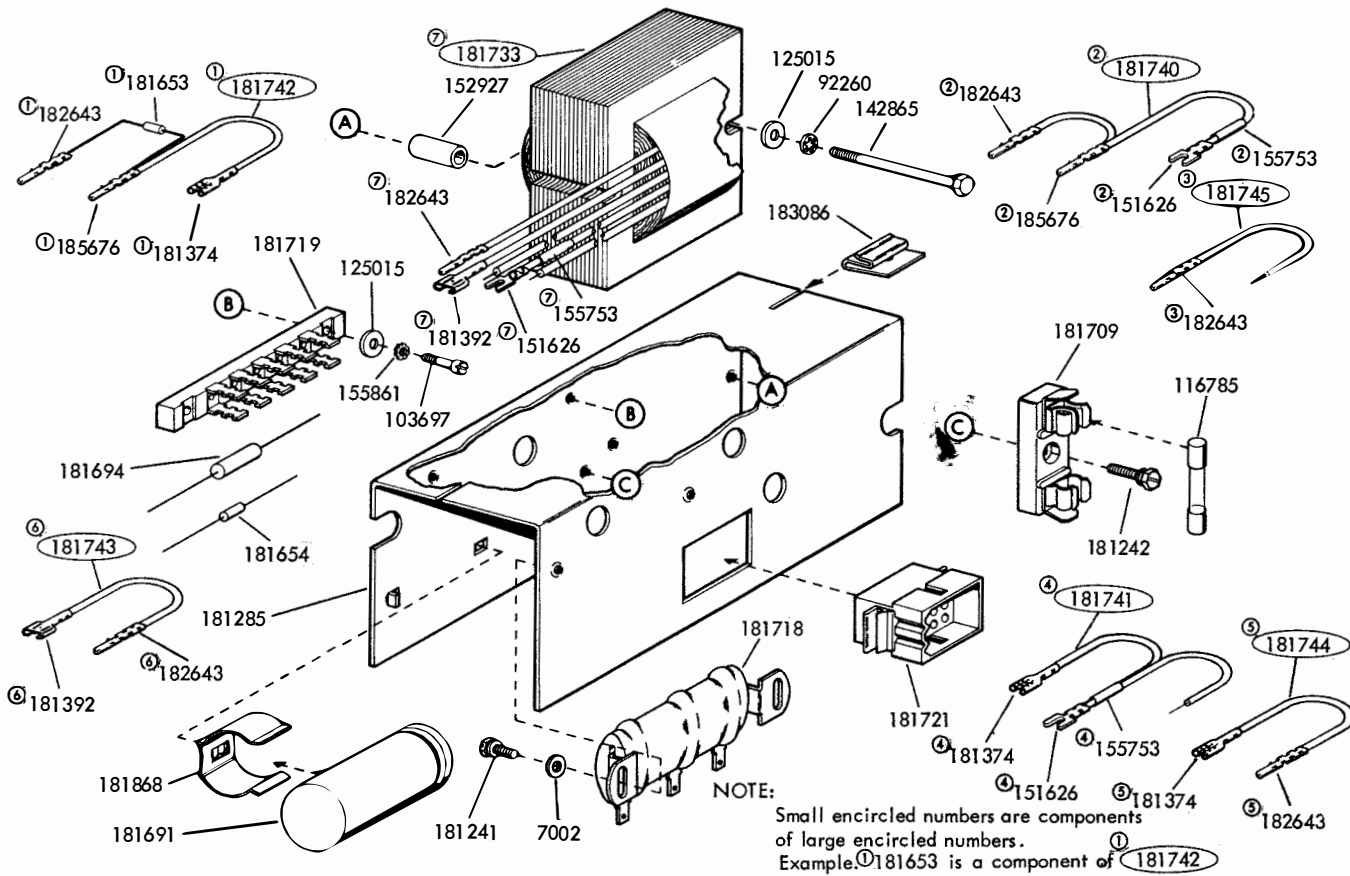
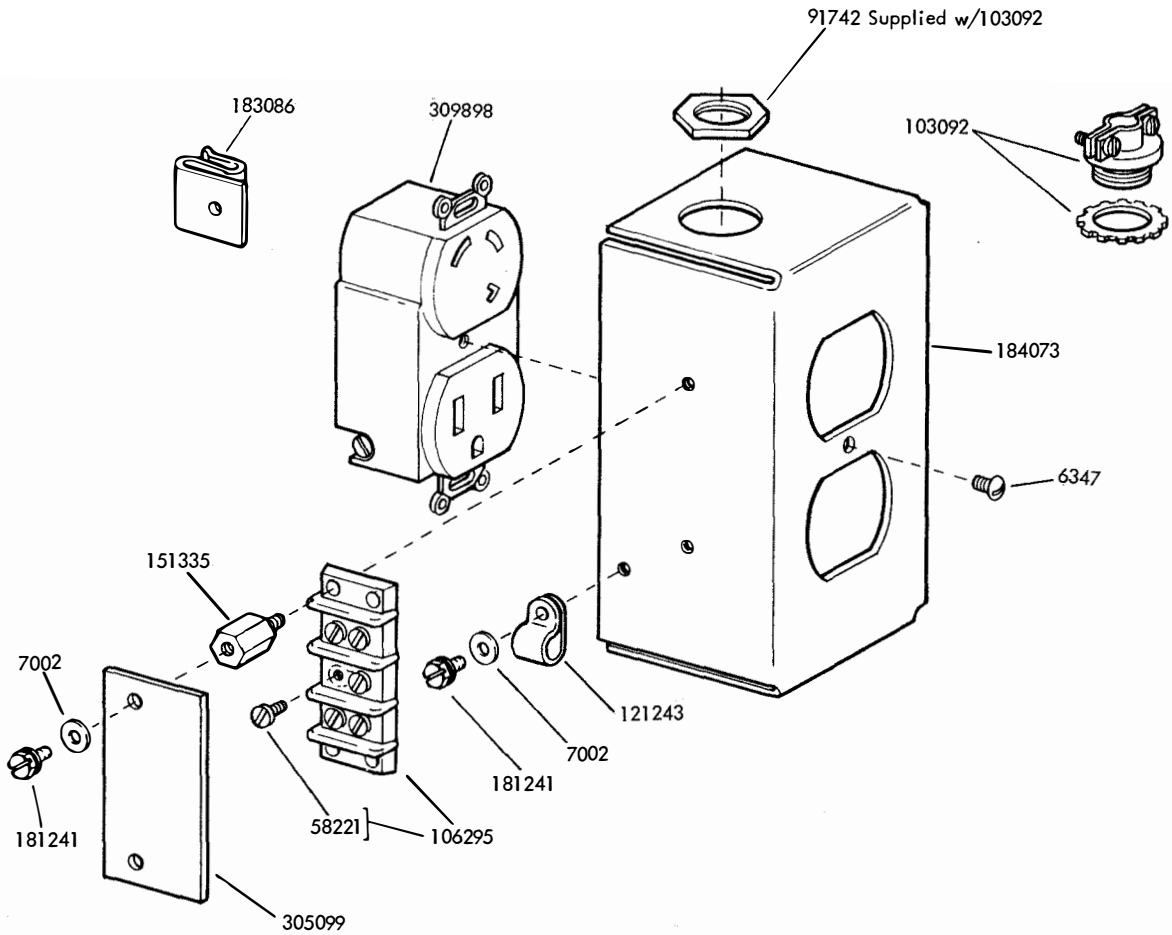
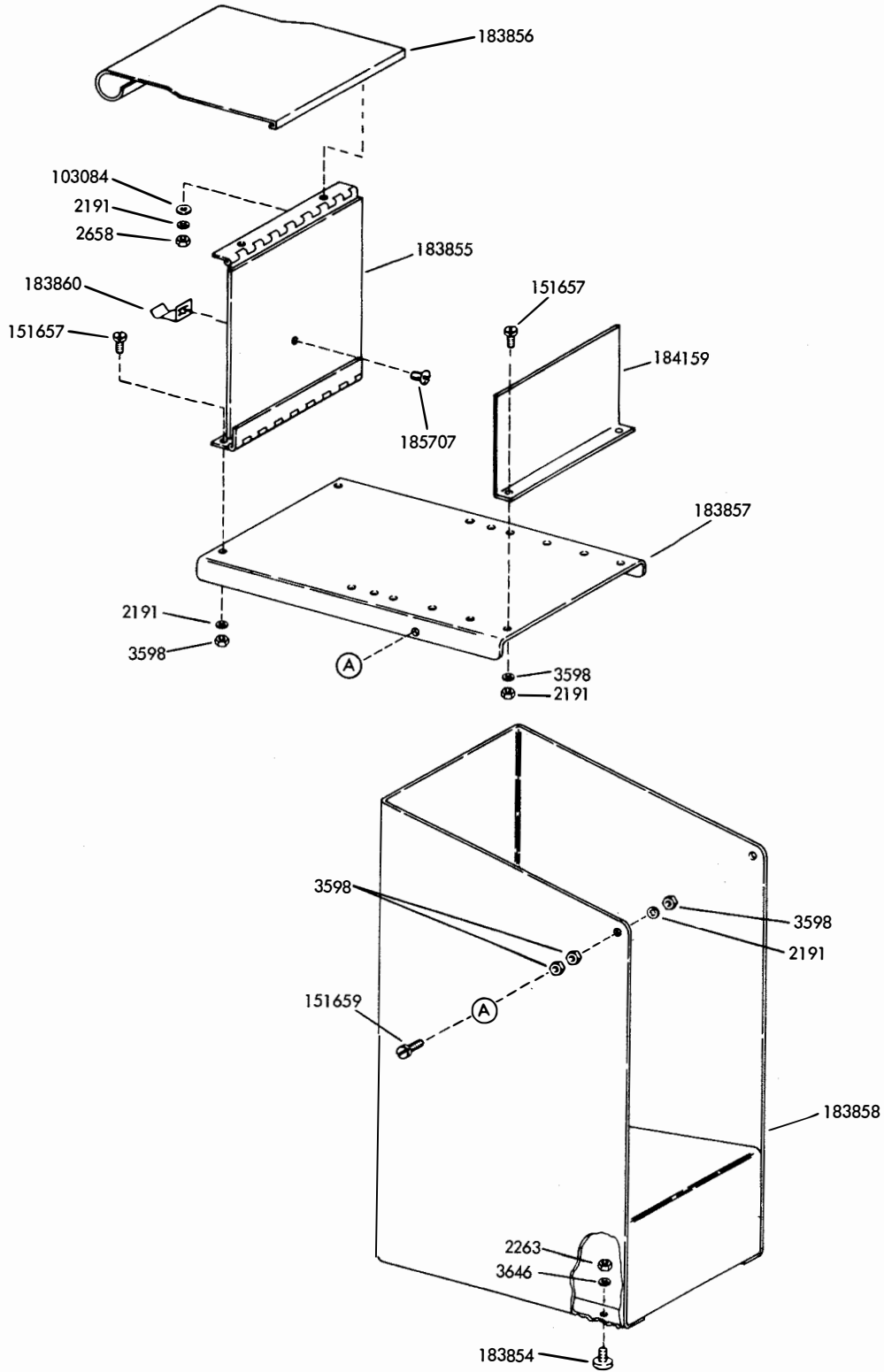


FIGURE 10. 181720 POWER PACK ASSEMBLY



Note:  
The 184074 includes the  
182510 Cord.

FIGURE 11. 184074 OUTLET BOX ASSEMBLY



SPECIFICATION 504335

FIGURE 12. 183859 MODIFICATION KIT TO PROVIDE PAPER SUPPLY AND ACCUMULATING SHELF

## NUMERICAL INDEX

| Part Number | Description and Page Number            | Part Number | Description and Page Number               | Part Number | Description and Page Number |
|-------------|--|-------------|---|-------------|-----------------------------|
| 2191        | Washer, Lock 6 to 9, 12                | 181140      | Label, Designation (W.U.) 2               | 182764      | Nut, Speed 8                |
| 2263        | Nut, 8-32 Hex 12                       | 181141      | Screw, 8-32 Spl 2                         | 182912      | Lid 3                       |
| 2449        | Washer, Lock 7                         | 181147      | Plate, Name 2                             | 182913      | Base, Cover 3               |
| 2658        | Nut, 6-32 Hex 12                       | 181148      | Plate, Name 2                             | 182916      | Screw, 8-32 x 2-9/16 Hex 3  |
| 3598        | Nut, 6-40 Hex 3, 4, 12                 | 181237      | Screw, 1/4-14 Self-Tapping 7              | 182917      | Spring, Special 3           |
| 3640        | Washer, Lock 8, 9                      | 181241      | Screw w/Lockwasher, 6-40 x 1/4 Hex 10, 11 | 182918      | Spindle 3                   |
| 3646        | Washer, Lock 7, 12                     |             |   | 182919      | Button 3                    |
| 6345        | Nut, 6-32 Hex 7                        | 181242      | Screw w/Lockwasher, 6-40 x 5/16 Hex 10    | 182921      | Cover, Right 3              |
| 6347        | Screw, 6-32 x 3/8 Rd 11                | 181244      | Screw w/Lockwasher, 6-40 x 7/16 Hex 3     | 182922      | Cover, Left 3               |
| 7002        | Washer, Flat 4, 10, 11                 |             |   | 182924      | Box, Chad 7                 |
| 44048       | Washer, Flat 7                         | 181245      | Screw w/Lockwasher, 6-40 x 1/2 Hex 4      | 182926      | Cover Assembly 3            |
| 55323       | Screw, 8-32 x 1/2 Rd 7                 |             |   | 182927      | Cover 2                     |
| 58221       | Screw, 6-32 x 1/4 Fil 11               | 181285      | Cover, Mounting 10                        | 182928      | Cover 2                     |
| 74709       | Spring 8                               | 181287      | Holder, Card 5                            | 182932      | Nut, Speed 3                |
| 91742       | Nut, Lock 11                           | 181288      | Label, White 5                            | 182965      | Box, Chad 7                 |
| 92146       | Nut, 1/4-20 Hex 7                      | 181289      | Window, Plastic 5                         | 183025      | Bracket 4                   |
| 92260       | Washer, Lock 10                        | 181292      | Window, Plastic 5                         | 183045      | Lever, Start-Stop 4         |
| 103084      | Washer, Flat 12                        | 181374      | Terminal, Tab Type 10                     | 183046      | Cover 4                     |
| 103092      | Connector, Cord 11                     | 181392      | Terminal, Tab Type 10                     | 183047      | Base 4                      |
| 103697      | Screw, 4-40 x 7/16 Fil 10              | 181442      | Spring, Torsion 8                         | 183067      | Shield 4                    |
| 106295      | Block, Terminal 11                     | 181443      | Plate, Clamp 8                            | 183068      | Spring, Shield 4            |
| 115594      | Nut, Speed 7                           | 181444      | Rod, Sensing 8                            | 183076      | Bracket, Rectifier 10       |
| 116785      | Fuse, .3 Amp 10                        | 181653      | Diode 10                                  | 183077      | Clamp, Circuit Card 10      |
| 116793      | Washer, Lock 8                         | 181654      | Diode 10                                  | 183079      | Card, Circuit 10            |
| 121243      | Clamp, 3/16" ID Cable 11               | 181691      | Capacitor, 150 MFD 10                     | 183081      | Resistor, 850 Ohm 10        |
| 121245      | Clamp, 5/16" ID Cable 7                | 181694      | Resistor, 120 Ohms 10                     | 183086      | Clip 10, 11                 |
| 124177      | Washer, Lock 3, 4                      | 181709      | Holder, Fuse 10                           | 183087      | Card, Circuit 10            |
| 125015      | Washer, Flat 3, 4, 9, 10               | 181718      | Resistor, 2,000 - 10,000 Ohms 10          | 183094      | Plate w/Studs 4             |
| 125390      | Washer, Flat 7                         |             |   | 183111      | Label 10                    |
| 125928      | Washer, Flat 7                         | 181719      | Strip, Terminal 10                        | 183112      | Screw, 4-40 x 9/64 Fil 4    |
| 128913      | Screw, 8-32 Self-Tapping 8             | 181720      | Power Supply 1, 10                        | 183117      | Screw, 10-32 x 5/8 Hex 4    |
| 129098      | Screw, 6-40 x 11/32 Flat 6             | 181721      | Connector, 12 Pt Plug Type 10             | 183118      | Plate, Clamp 4              |
| 142865      | Screw, 6-40 x 2-1/32 Hex 10            | 181733      | Transformer 10                            | 183133      | Bracket 4                   |
| 143630      | Fuse, .75 Amp 10                       | 181740      | Cable Assembly 10                         | 183134      | Base 4                      |
| 147811      | Spacer, .250" Thk 6                    | 181741      | Cable Assembly 10                         | 183135      | Cover 4                     |
| 147812      | Frame, Tape Bin 6                      | 181742      | Cable Assembly 10                         | 183138      | Modification Kit 4          |
| 147813      | Window, Left Side 6                    | 181743      | Cable Assembly 10                         | 183140      | Cover 4                     |
| 147814      | Window, Right Side 6                   | 181744      | Cable Assembly 10                         | 183141      | Holder, Card 5              |
| 147815      | Divider, Tape Bin 6                    | 181745      | Cable Assembly 10                         | 183243      | Foot w/Brackets 7           |
| 147816      | Plate, Retaining 6                     | 181812      | Plate, Name 2                             | 183244      | Panel 7                     |
| 147817      | Guide, Tape Bin 6                      | 181868      | Clip, Speed 10                            | 183245      | Cabinet, Lower 6, 7         |
| 151335      | Stud 11                                | 181900      | Cover 2                                   | 183249      | Screw, 5/16-18 Spl 7        |
| 151626      | Terminal 10                            | 181901**    | Faceplate 5                               | 183251      | Rack 7                      |
| 151657      | Screw, 6-40 x 1/4 Fil 6, 12            | 181902**    | Faceplate 5                               | 183252      | Post 8, 9                   |
| 151659      | Screw, 6-40 x 1/2 Fil 9, 12            | 181903**    | Faceplate 5                               | 183253      | Copyholder 8                |
| 151685      | Screw, 4-40 x 5/16 Fil 8, 9            | 181904**    | Faceplate 5                               | 183254      | Guide, Line 8, 9            |
| 152426      | Nut, 6-40 Self-Locking 9               | 181909**    | Faceplate 5                               | 183255      | Shaft 8, 9                  |
| 152927      | Bushing 10                             | 181910**    | Faceplate 5                               | 183256      | Bushing 8, 9                |
| 153021      | Spring, Torsion 8, 9                   | 181914**    | Faceplate 5                               | 183258      | Handle, Copyholder 8, 9     |
| 153441      | Screw, 10-32 x 7/16 Hex 4              | 181921**    | Faceplate 5                               | 183259      | Nut, Speed 7                |
| 153538      | Screw, 6-40 x 7/16 Hex 4               | 181922**    | Faceplate 5                               | 183260      | Nut, Speed 6                |
| 153841      | Screw, 6-40 x 9/16 Hex 8, 9            | 181931**    | Faceplate 5                               | 183261      | Screw, #8 Self-Tapping 7    |
| 155087      | Screw, 1/4-20 x 7/16 Rd 7              | 182036      | Copyholder Assembly 8                     | 183262      | Retainer, Nut 7             |
| 155753      | Sleeve, 1/8 ID x 1/2" Lg Insulating 10 | 182109      | Lid Assembly 3                            | 183263      | Cap, Light Gray 7           |
| 155861      | Washer, Lock 10                        | 182134      | Power Pack 1, 10                          | 183501      | Cover, Stand 6              |
| 165255      | Screw, #8 Spl 7                        | 182149      | Power Pack 1, 10                          | 183508**    | Faceplate 5                 |
| 180778      | Plate 8, 9                             | 182278      | Support 2                                 | 183513      | Cover 2                     |
| 180798      | Screw, 8-32 Self-Tapping 3             | 182285      | Bumper, Rubber 7                          | 183854      | Foot 12                     |
| 181043      | Spindle, Paper Roll 8                  | 182468      | Lid 3                                     | 183855      | Plate w/Hinges 12           |
| 181131      | Window, Lid 8                          | 182510      | Cord, Power 11                            | 183856      | Guide, Paper 12             |
| 181132      | Lid w/Window 8                         | 182643      | Terminal, Plug Type 10                    | 183857      | Shelf, Paper 12             |
| 181133      | Cover 2                                | 182662      | Receiver 7                                | 183858      | Bin, Paper Supply 12        |
| 181135      | Plate, Name 2                          | 182760      | Screw, 6-32 Spl 5, 8                      | 183859      | Modification Kit 1, 12      |
| 181136      | Plate, Name 2                          |             |   | 183860      | Clip, Spring 12             |
| 181137      | Plate, Name 2                          |             |   | 183966      | Deflector, Paper 8          |
| 181139      | Label, Designation (Bell) 2            |             |   | 183976      | Copyholder Assembly 1, 9    |
|             |  |             |   | 183977      | Washer, Spring 9            |

\*\*Refer to page 1 for finish suffix

## NUMERICAL INDEX

| Part Number | Description and Page Number | Part Number | Description and Page Number  | Part Number | Description and Page Number  |
|-------------|-----------------------------|-------------|------------------------------|-------------|------------------------------|
| 183978      | Bracket, Left 9             | 184206      | Lid Assembly 3               | 192263      | Holder, Handset 7            |
| 183979      | Copyholder 9                | 184208      | Spring 3                     | 192289      | Screw, 1/4-14 Self-Tapping 6 |
| 183980      | Link 9                      | 185605      | Screw, 1/4-14 Self-Tapping 7 | 193957      | Spring, Roller 7             |
| 183981      | Bracket, Right 9            | 185608      | Cabinet 7                    | 194822      | Holder, Directory 7          |
| 184006      | Screw, 8-32 Self-Tapping 4  | 185609      | Panel 7                      | 194914      | Modification Kit 7           |
| 184035      | Label, Designation 2        | 185667      | Strip, Damping 7             | 195180      | Bumper, Rubber 7             |
| 184073      | Bracket, Outlet 11          | 185676      | Terminal, Plug Type 10       | 195253      | Rack Assembly, Display 7     |
| 184074      | Box Assembly, Outlet 1, 11  | 185700      | Base 4                       | 195256**    | Hanger 7                     |
| 184085      | Screw, 8-32 Thumb 2         | 185707      | Screw, 10-24 x 5/16 Rd 12    | 195259**    | Modification Kit 7           |
| 184159      | Bracket, Back Stop 12       | 186054      | Plate, Name 2                | 305099      | Cover, Insulating 11         |
| 184184      | Card, Circuit 10            | 186055      | Plate, Name 2                | 309898      | Outlet, Duplex 11            |
| 184194      | Power Pack 1, 10            |             |                              |             |                              |

\*\*Refer to page 1 for finish suffix