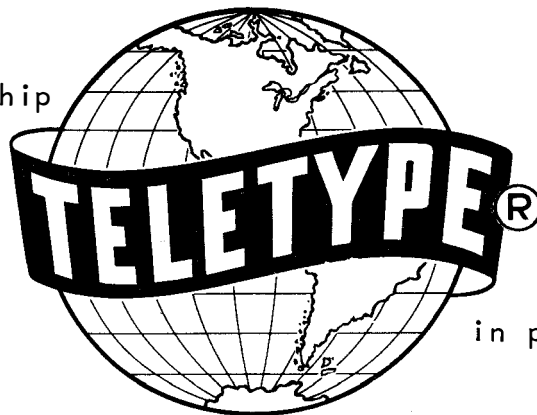


JUN 10 1962

symbol of leadership



in printing telegraphy

BULLETIN 1179B

PARTS

CABINETS (AC)

automatic data interchange system

(ADIS)

TELETYPE®
CORPORATION
SUBSIDIARY OF *Western Electric Company* INC.
SKOKIE, ILLINOIS, U. S. A.



LIST OF EFFECTIVE PAGES

JANUARY, 1961

Page Number	Change In Effect
A to F	Original
1-1 to 1-31	Original
2-1 to 2-7	Original
3-1 to 3-49	Original
4-1 to 4-7	Original

The above list indicates the effective pages as of the date of issue. Upon receipt of change pages insert them numerically and discard any superseded pages.

TABLE OF CONTENTS

Figure Number		Page Number
SECTION 1 - Cabinets		
1-1	Common Parts to all Cabinets	1-2
1-2	172051 Set of Pads	1-3
1-3	Mounting Plates, Magnets, Stripping and Seals	1-4
1-4	Front and Side Duct Plates, Sliding Tray Mechanism	1-5
1-5	172169** Sliding Tray Mechanism	1-6
1-6	Front Panel and Mountings	1-7
1-7	Left Side Mounting Apparatus	1-8
1-8	Left Side Mounting Apparatus continued	1-9
1-9	Cables and Connectors	1-10
1-10	Relay, Terminal Board and Brackets	1-11
1-11	Brackets and Braces for Storage Drawer Assemblies	1-12
1-12	Front Door Alarms and Cable Dividers	1-13
1-13	Module Containers and Cover Shields	1-14
1-14	Panels and Frame	1-15
1-15	Patch Cords	1-16
1-16	Frame and Brackets	1-17
1-17	Panels and Frame	1-18
1-18	Upper and Lower Doors and Shield Assembly	1-19
1-19	Slide Assemblies for RT Set Mounting	1-20
1-20	Blower System for Converter Cabinets	1-21
1-21	Panels, Strips and Frame	1-22
1-22	Side Plates and Electrical Apparatus	1-23
1-23	Cover Plates	1-24
1-24	Overhead Corner Cable Ducts	1-24
1-25	170561 Set of Parts to Provide Cross Over Cable Ducts	1-25
1-26	160387 Modification Kit to Provide Relay Brackets	1-25
1-27	Interconnecting Cables	1-26
	Numerical Index - Section 1	1-27
SECTION 2 - Drawer Assemblies		
2-1	Common Drawer Parts	2-2
2-2	Common Mounting Angles	2-3
2-3	Typical Plugboard and Maintenance Parts	2-4
2-4	Chart Showing Plugboard, Coreboard and Marking Plate Position	2-5
2-5	Cable Chart	2-6
	Numerical Index - Section 2	2-7
SECTION 3 - Modules		
	Introduction to Part Identification and Location	3-2
3-1	170567 S/R Center Signal Line Interlock (S/R C. LSSL1)	3-3
3-2	170568 S/R Center Relay Accessories (S/R C. RAM)	3-4
3-3	170569 Low-Speed Signal Line Interlock - 1 (LSSL1-1)	3-5
3-4	170570 Low-Speed Signal Line Interlock - 2 (LSSL1-2)	3-6
3-5	170571 Relay Accessories (RAM)	3-7
3-6	170572 Line Relay (LRD)	3-8
3-7	170574 Multi-Voltage Rectifier (L.V.)	3-9
3-8	170575 End of Message and Accessories (EOMA)	3-10
3-9	170576 Priority Register (PRD)	3-11
3-10	170577 Unscheduled Register (URD)	3-12
3-11	170578 Mechanical Accessories (MAD)	3-13
3-12	170810 Differential Message Counter Assembly	3-14
3-13	170900 Thirty-Seven Unit Counter Assembly	3-15
3-14	170900 Thirty-Seven Unit Counter Assembly cont.	3-16

TABLE OF CONTENTS - Continued

Figure Number		Page Number
3-15	170580 Hi-Speed Reperator Driver Control (BRPECO)	3-17
3-16	170581 Low-Speed Transmitting Dist. Control (LBXDCCO)	3-18
3-17	170582 Primary Priority Control (PRIM-PRI)	3-19
3-18	170583 Supplementary and Local Priority Control(SRO-PRI)	3-20
3-19	170584 Hi-Speed Transmitting Distributor (HISTRAD)	3-21
3-20	170585 Hi-Speed Receiving Distributor (HISRED)	3-22
3-21	170586 Sequence Detector (SEDET)	3-23
3-22	170587 Multi-Storage II (MULSTO II)	3-24
3-23	170588 Core Driver (COD)	3-25
3-24	170589 Core Inhibitor (COIN)	3-26
3-25	170590 Multi-Reader Auxiliary and Answer Back (MURAAB)	3-27
3-26	170591 Output Amplifiers (OPAS)	3-28
3-27	170592 Output Delays (ODELS)	3-29
3-28	170593 Motor Start and Line Request Control(MOSLR)	3-30
3-29	170594 Auto. Program Unit H.S. Monitor - 1 (APHUS MON-1)	3-31
3-30	170595 Auto. Program Unit H.S. Monitor - 2 (APUHS MON-2)	3-32
3-31	170597 Auto. Program Unit H.S. - 1 (APUHS 1)	3-33
3-32	170598 Auto. Program Unit H.S. - 2 (APUHS 2)	3-34
3-33	170599 Auto. Program Unit H.S. - 2 (APUHS 3)	3-35
3-34	170600 Auto. Program Unit L.S. Start (STAPULS)	3-36
3-35	170601 Motor Relay Control (MOREL)	3-37
3-36	170651 Line-Feed Insertion Primary (MULIFE-PRIM)	3-38
3-37	170652 Line-Feed Insertion Supp. and R/O (MULIFE - SRO)	3-39
3-38	171822 Mult - Storage I (MULSTO I)	3-40
3-39	172221 S/R Center Sequence Detector (S/R SEDET)	3-41
3-40	172222 Reader Auxiliary and Answer Back (RAAB)	3-42
3-41	172265 CX Control (CXCO)	3-43
3-42	170739 Storage Drawer	3-44
	Numerical Index - Section 3	3-45

SECTION 4. MASTER NUMERICAL INDEX

The AUTOMATIC DATA INTERCHANGE SYSTEM (ADIS)
 is made up of a group of basic component units in various combinations. The following chart lists the bulletins covering the components of the ADIS: (A) adjustments, (D) description, (L) lubrication, (M) manual, (P) parts and (T) theory and principles of operation

UNIT DESCRIPTION	TELETYPE CODE	BULLETINS
● Cabinets	AC	1179B(P) 268B(M)
High Speed Tape Punch Motor Unit	BRPE LMU	1154B(P), 215B(M)
High Speed Reader High Speed Reader Base Motor Unit	CX CXB MU	1176B(P), 267B(M)
Base Motor Unit	LB LMU	1149B(P), 216B(D&T), 217B(A&L)
Transmitter Distributor	LBXD	1165B(P), 242B(D&T), 243B(A&L)
Page Printer	LP	1149B(P), 216B(D&T), 217B(A&L)
Non-Typing Reperforator	LRPE	1172B(P), 255B(D&T), 256B(A&L)
Reperforator Transmitter Base Tape Handling Stand Motor Unit	LRXB LTHS LMU	1168B(P), 248B(D&A)
Tape Splicer	LTS	1173B(P), 257B(M)
Paper Winder	PW	1129B(P)
Line Relay	RY	1174B(P), 259B(D&A)
Tools		1124B(P)

● Parts ordering information for the AC cabinets is contained in this bulletin (1179B). Descriptive and Maintenance information contained in 268B.

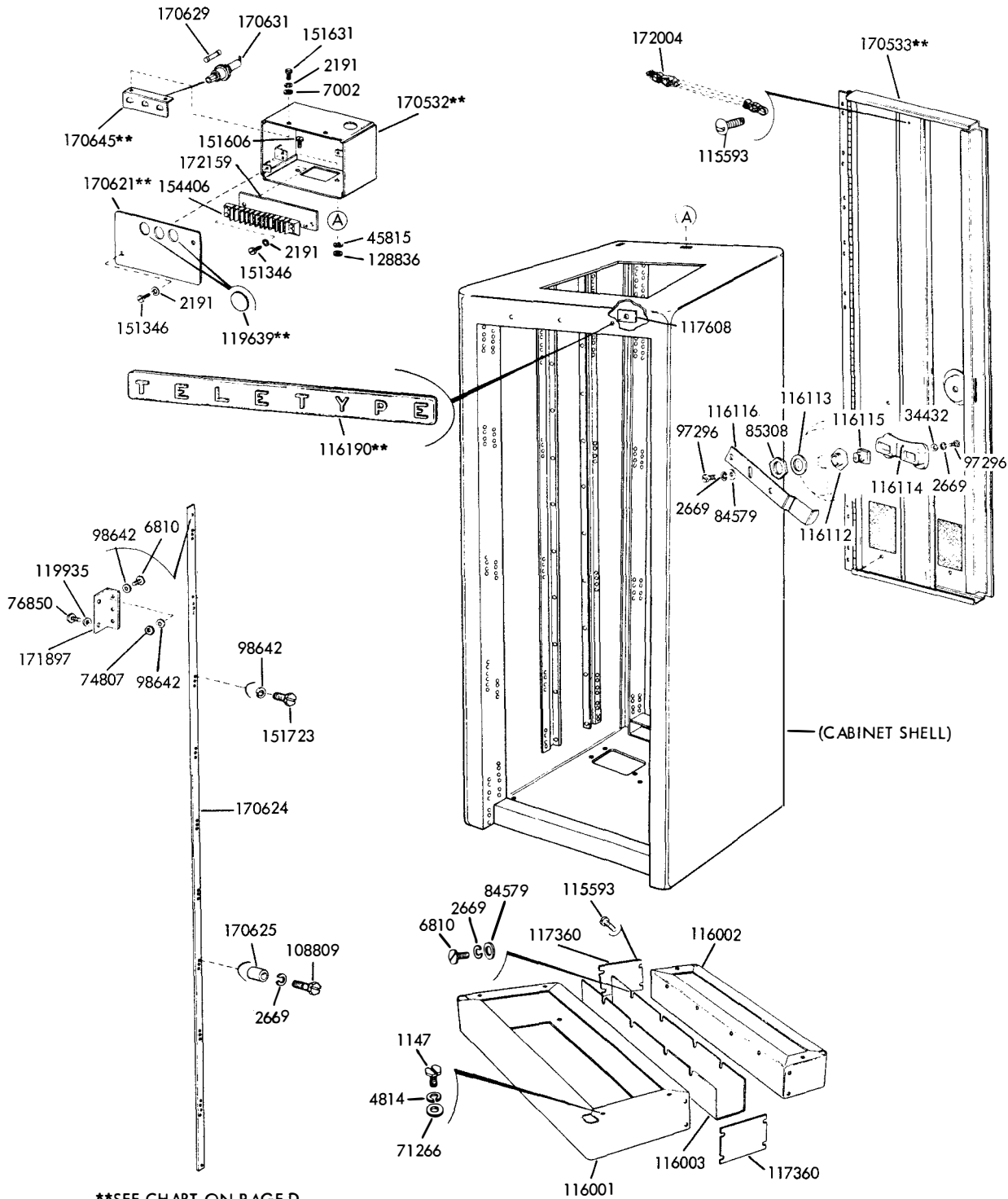
PAINT FINISH COLOR CODE CHART					
(for parts and assemblies requiring a paint finish)					
SMOOTH FINISHES			WRINKLE FINISHES		
Suffix	Color	Bell System Code	Suffix	Color	Bell System Code
BB	Black Semi-gloss	34	AA	Black	37
BA	Black High Gloss		AB	Gray Green	
BK	Gray Green		AC	Light Brown	
BH	Light Gray	38	AD	Dark Brown	38
BU	Light Gray Semi-gloss		AF	Federal Gray	
BV	Federal Gray				
BZ	Charcoal Gray				
BX	Sunland Beige				

Suffix to be applied following the part number

BELL SYSTEM ONLY

When ordering parts from this bulletin, prefix each number with the letters TP

SECTION 1.
CABINETS



**SEE CHART ON PAGE D FOR COLOR FINISH SUFFIXES

FIGURE 1-1. COMMON PARTS

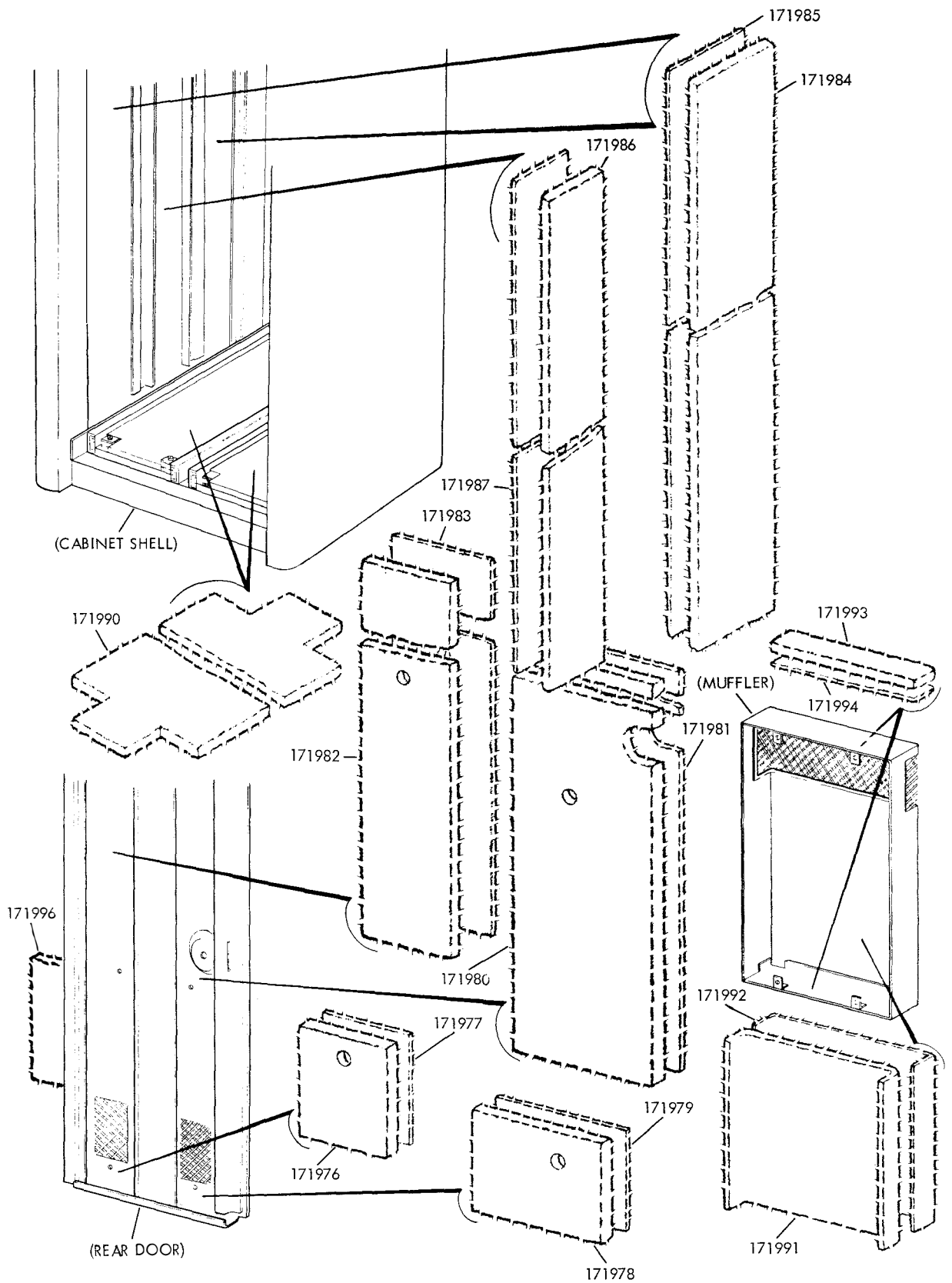
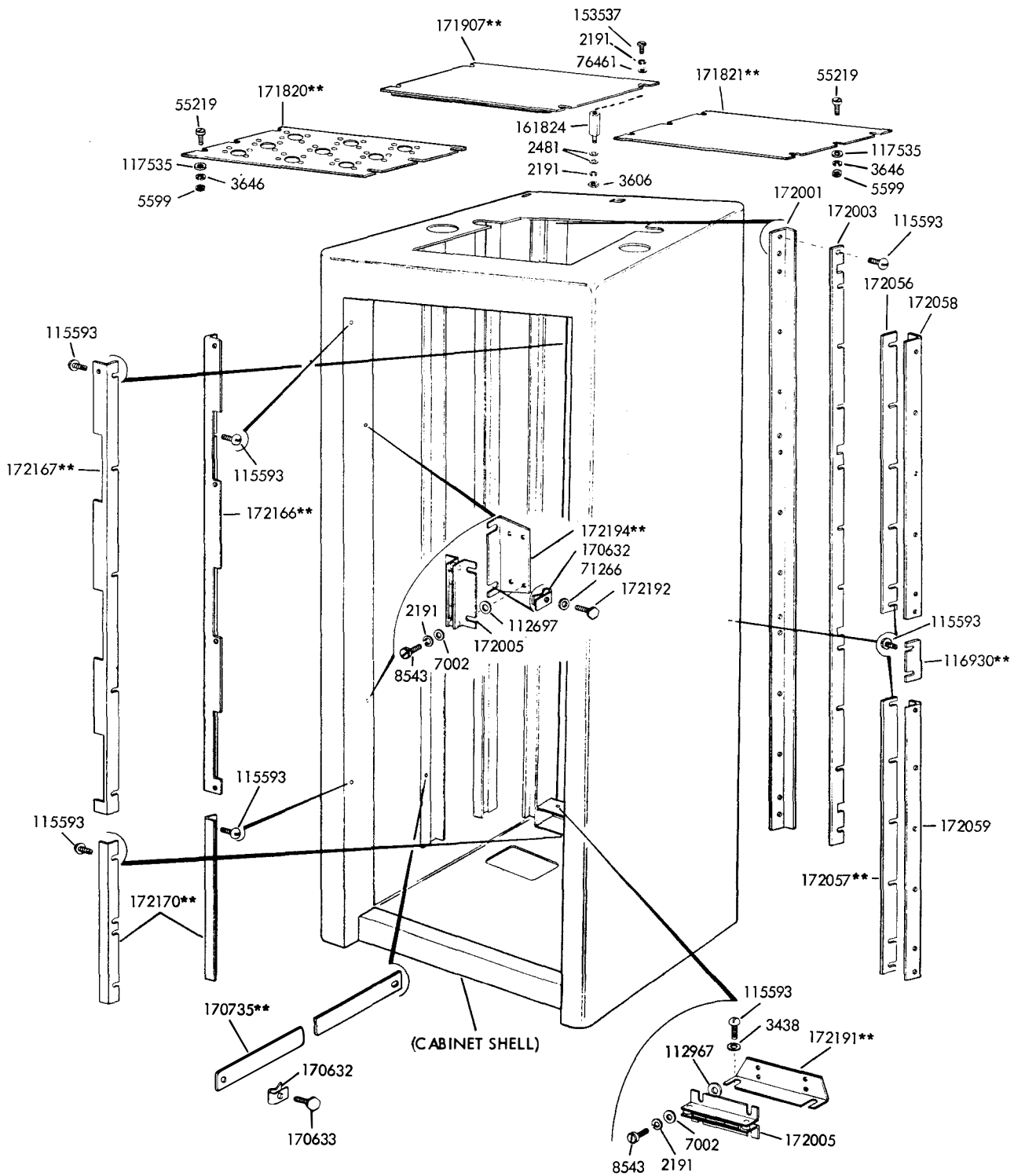


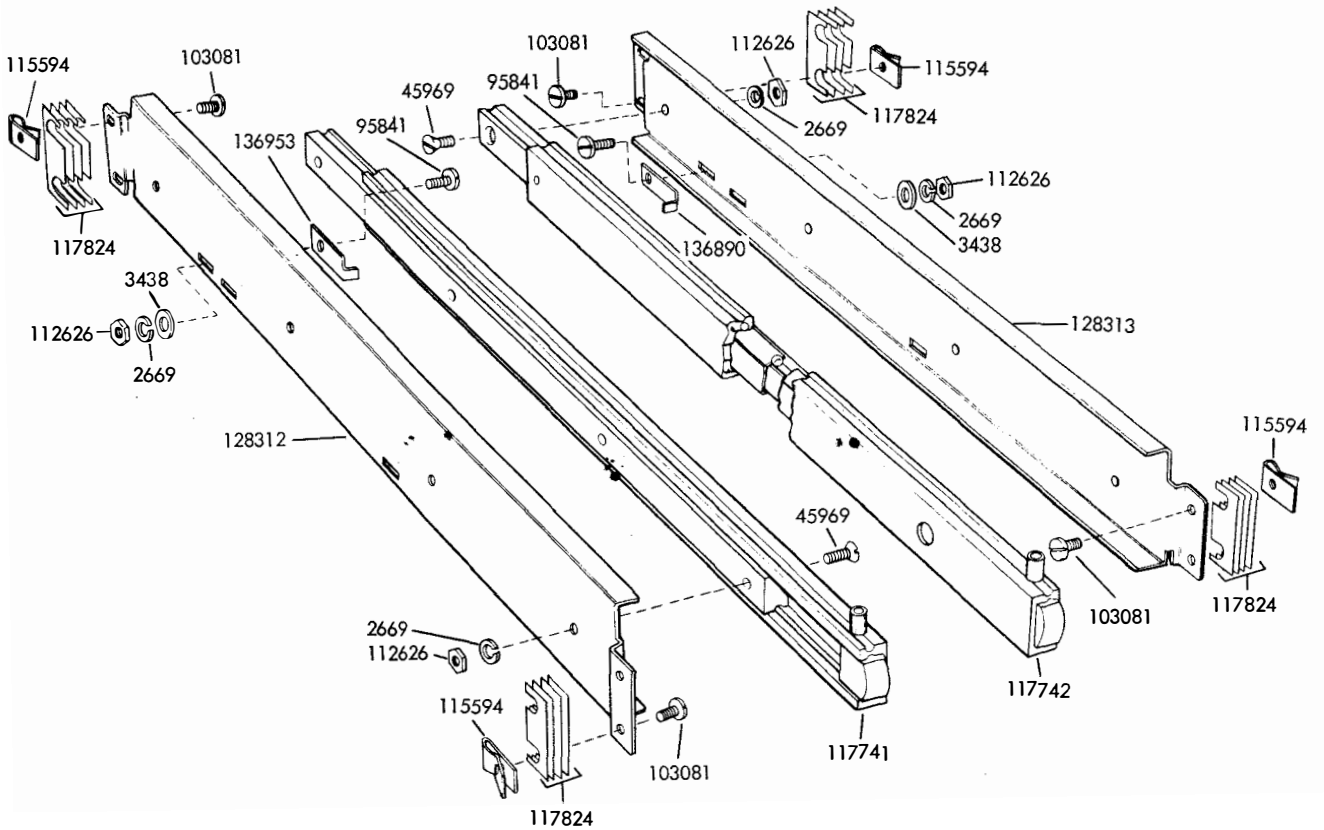
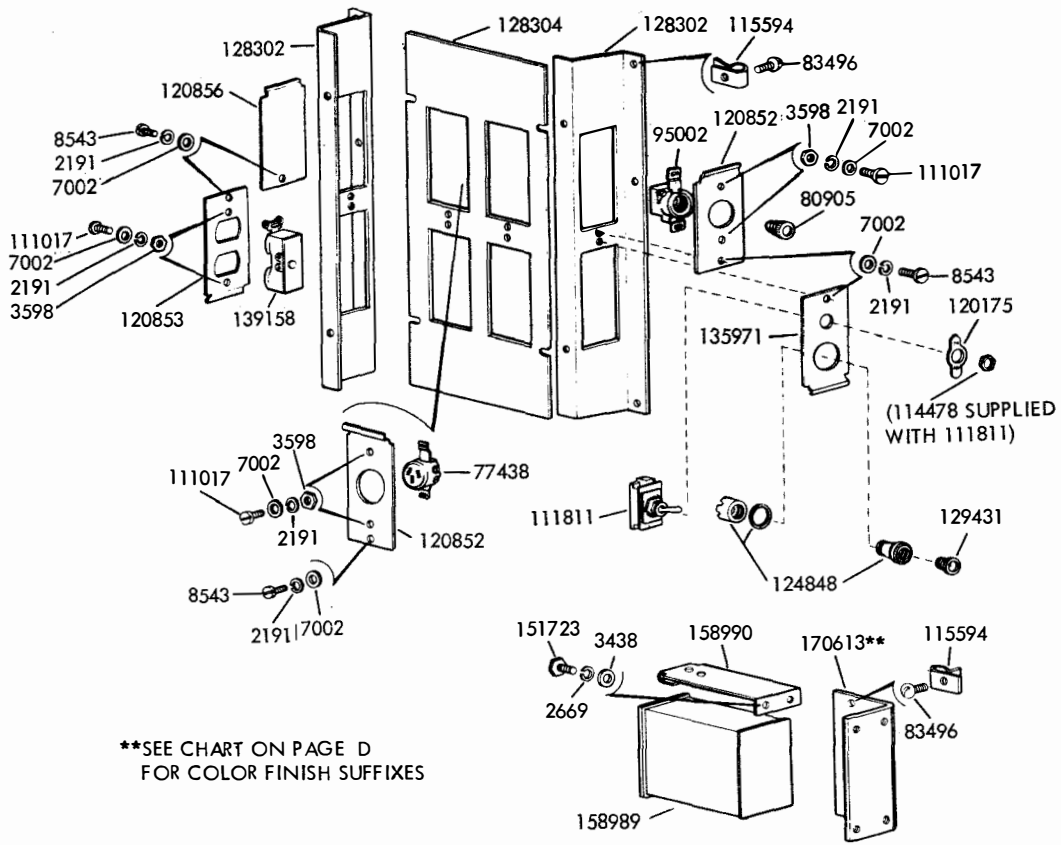
FIGURE 1-2. 172051 SET OF PADS

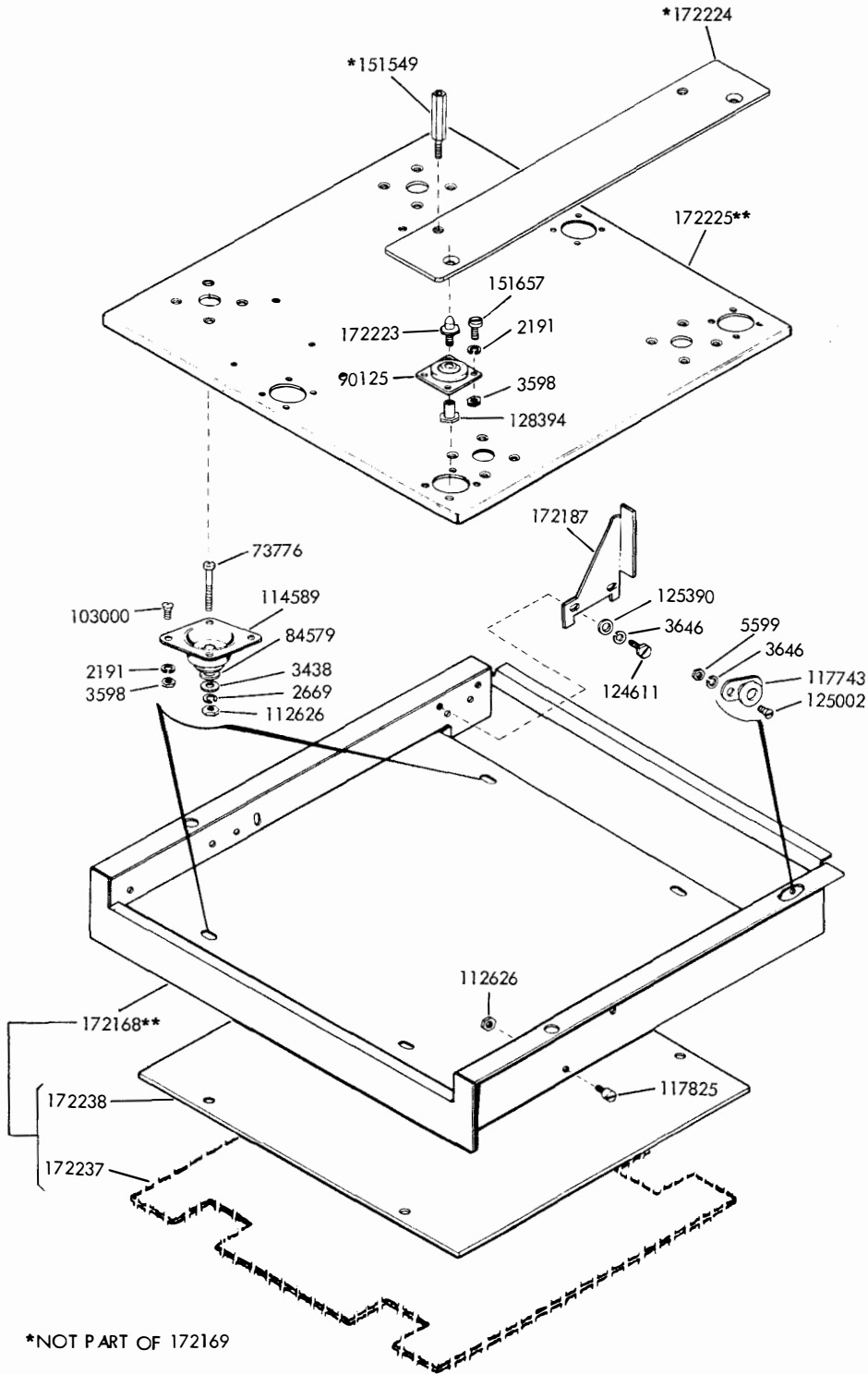


**SEE CHART ON PAGE D
FOR COLOR FINISH SUFFIXES

FIGURE 1-3. MOUNTING PLATES, MAGNETS, STRIPPING AND SEAL

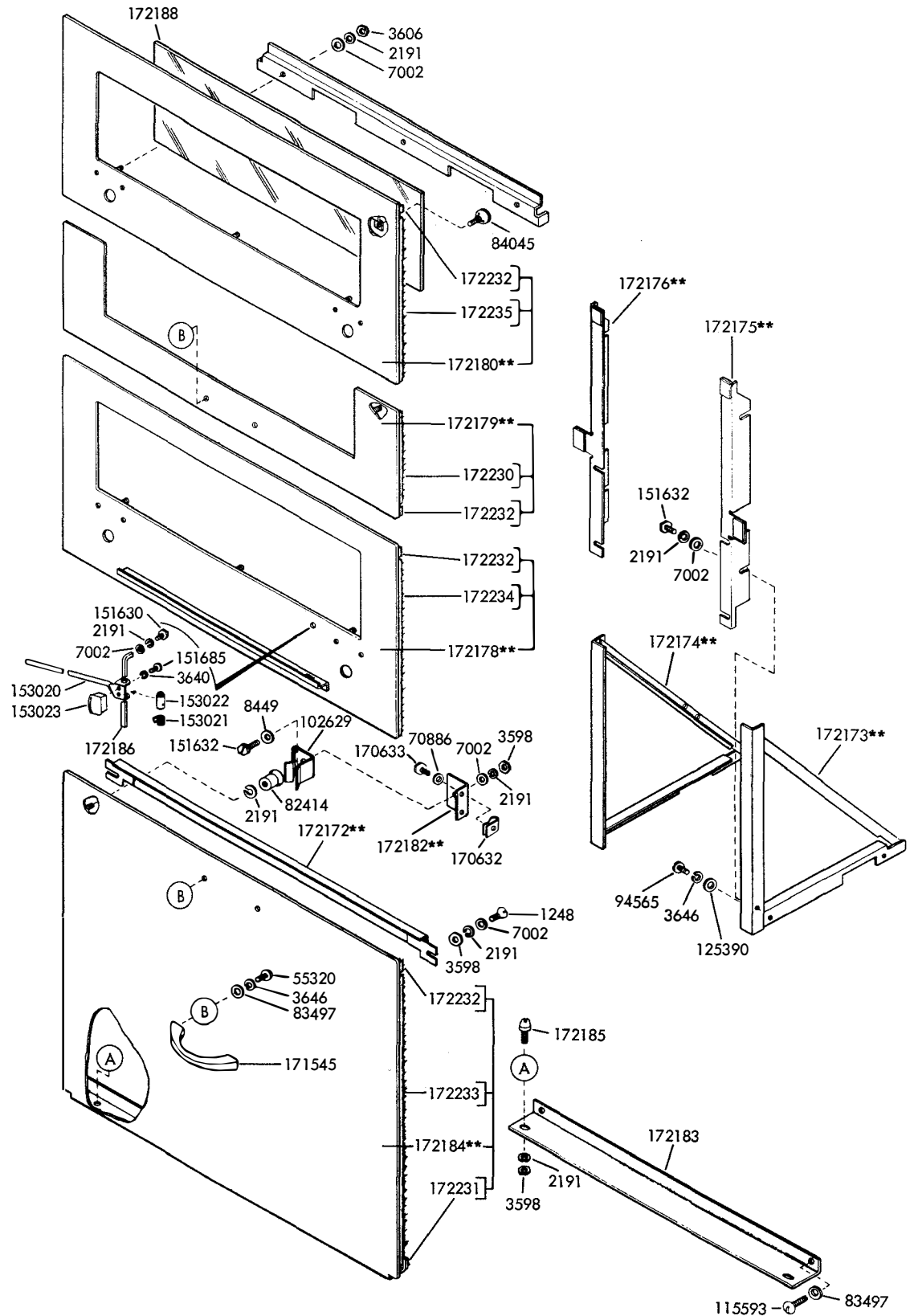
1179B





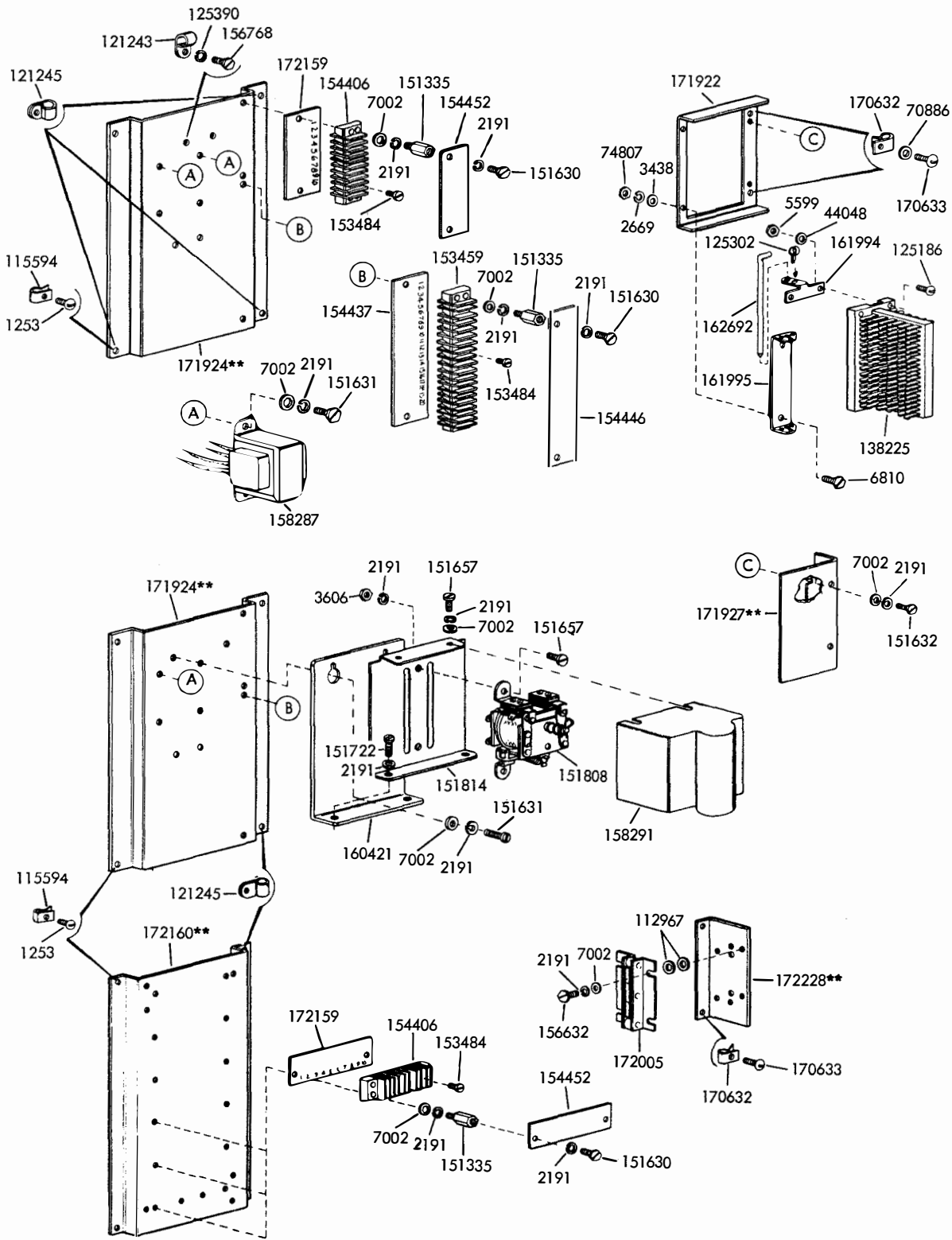
**SEE CHART ON PAGE D
FOR COLOR FINISH SUFFIXES

FIGURE 1-5. 172169** SLIDING TRAY ASSEMBLY



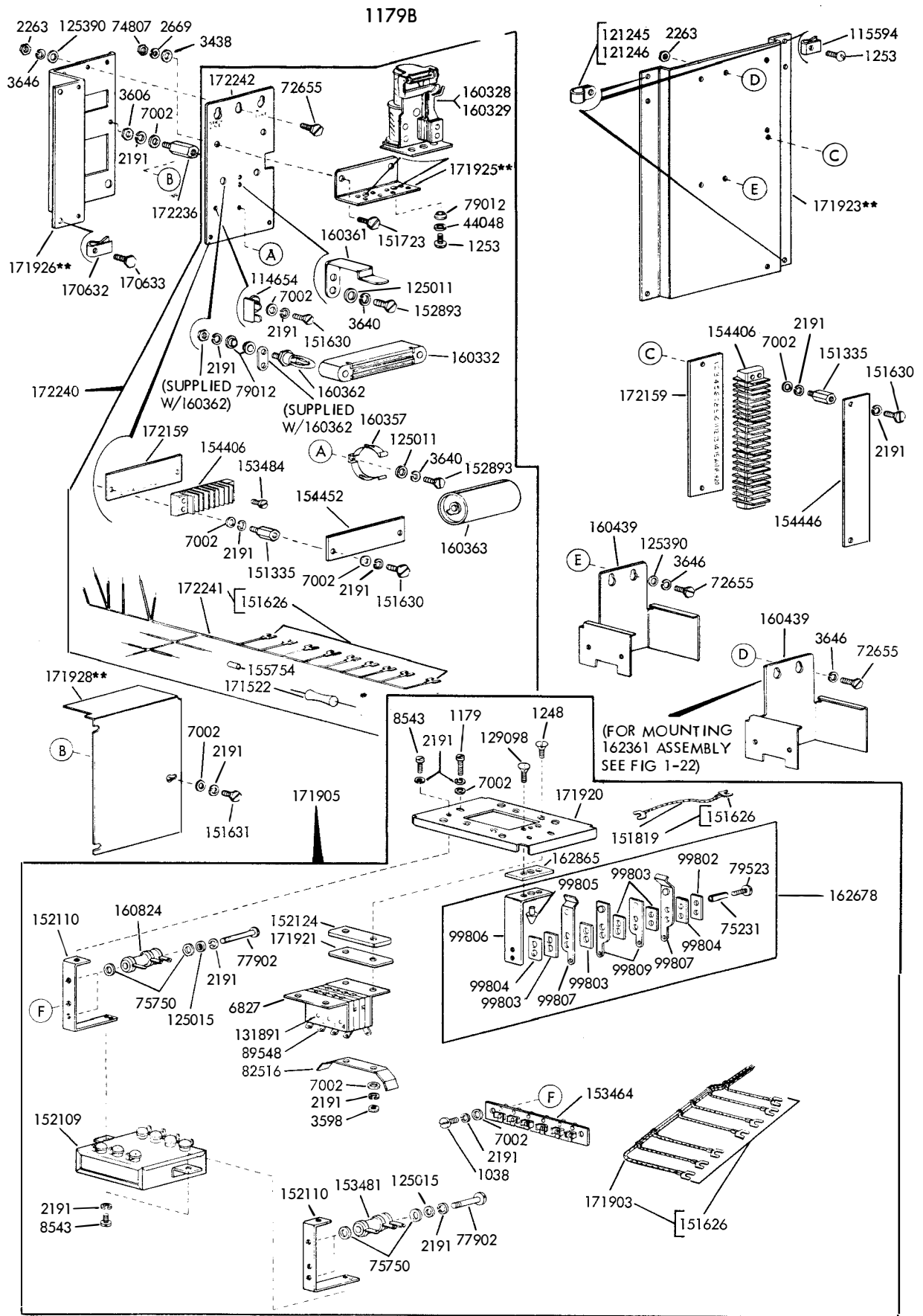
**SEE CHART ON PAGE D
FOR COLOR FINISH SUFFIXES

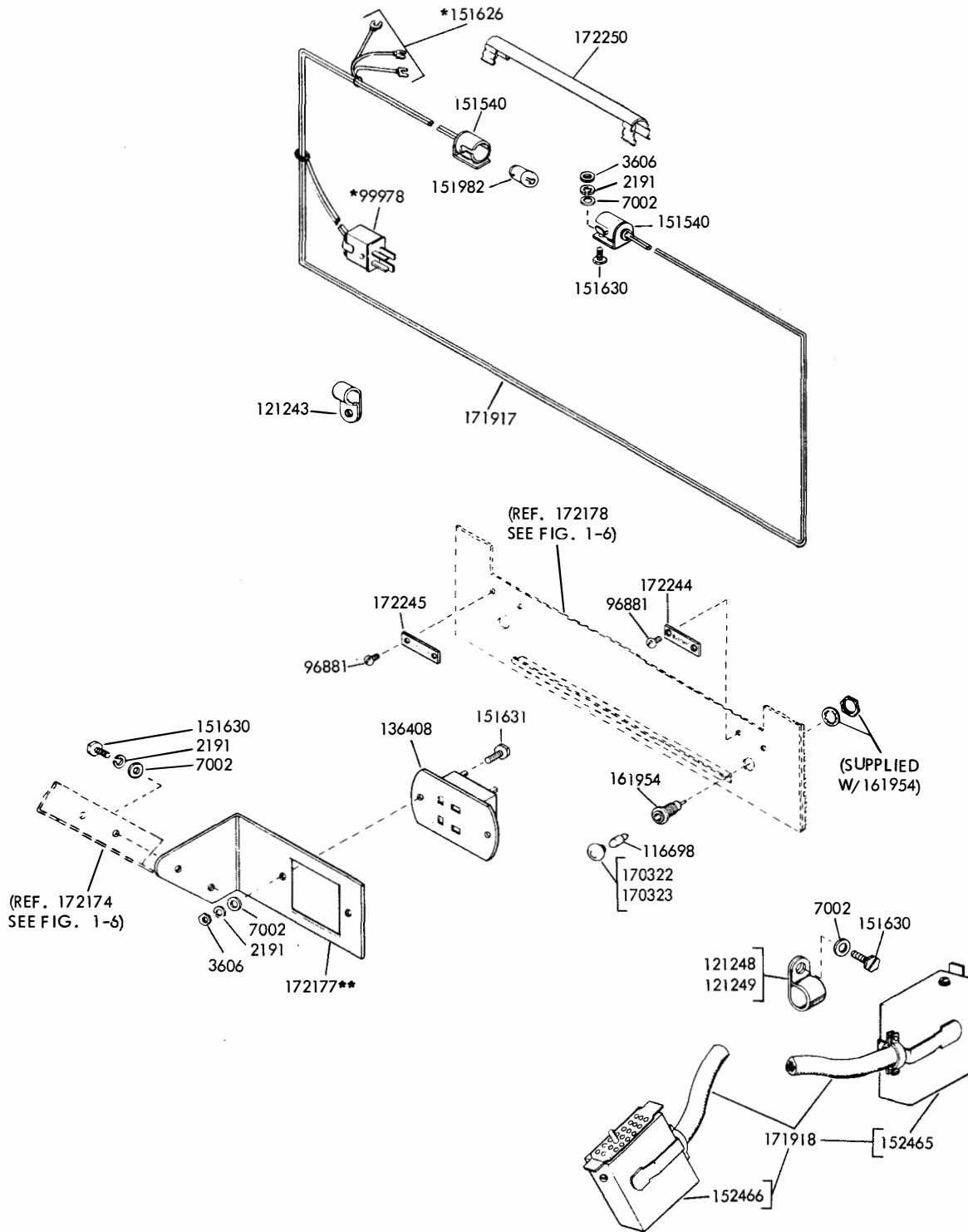
FIGURE 1-6. FRONT PANELS AND MOUNTING



**SEE CHART ON PAGE D FOR COLOR FINISH SUFFIXES

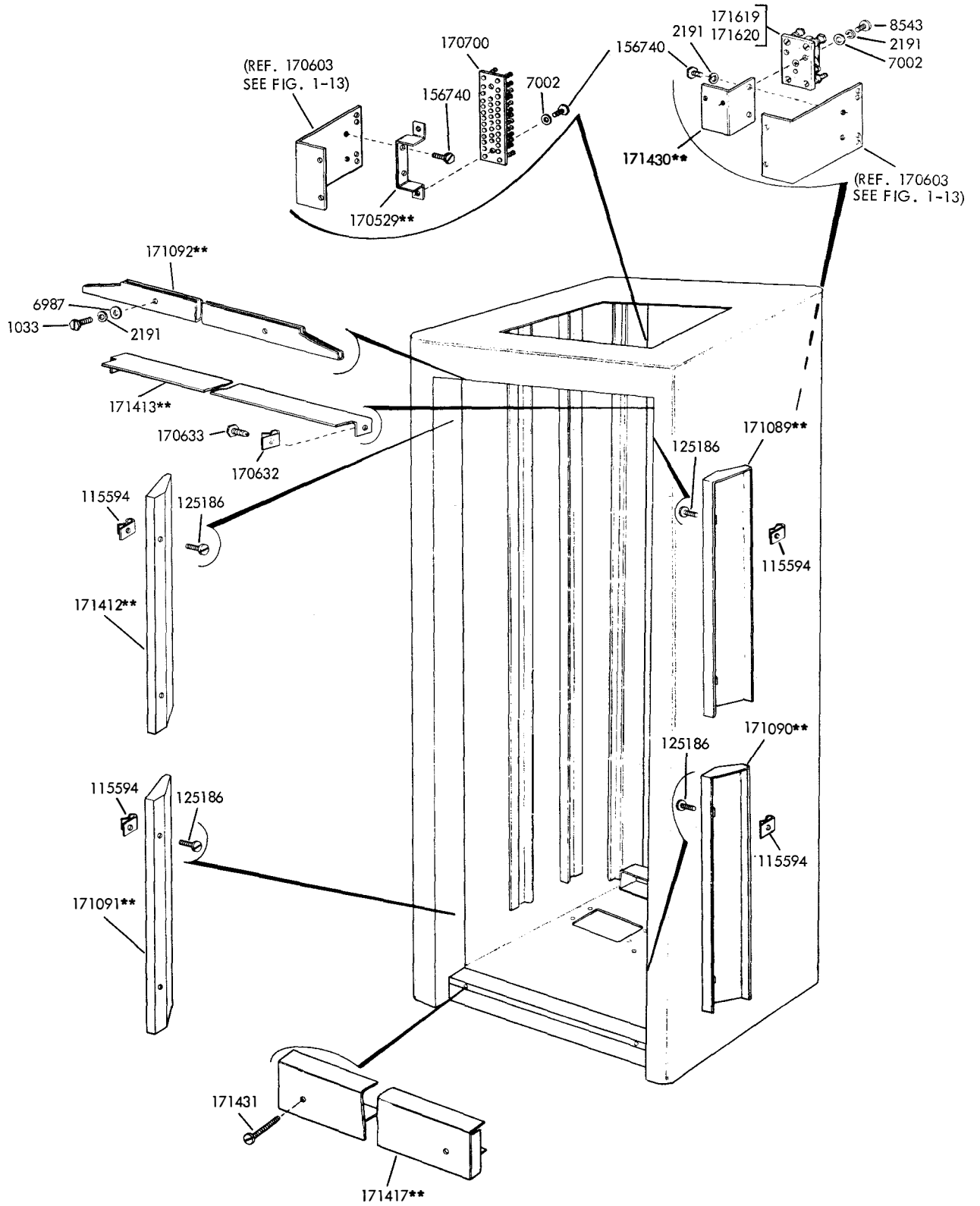
FIGURE 1-7. LEFT SIDE MOUNTING APPARATUS





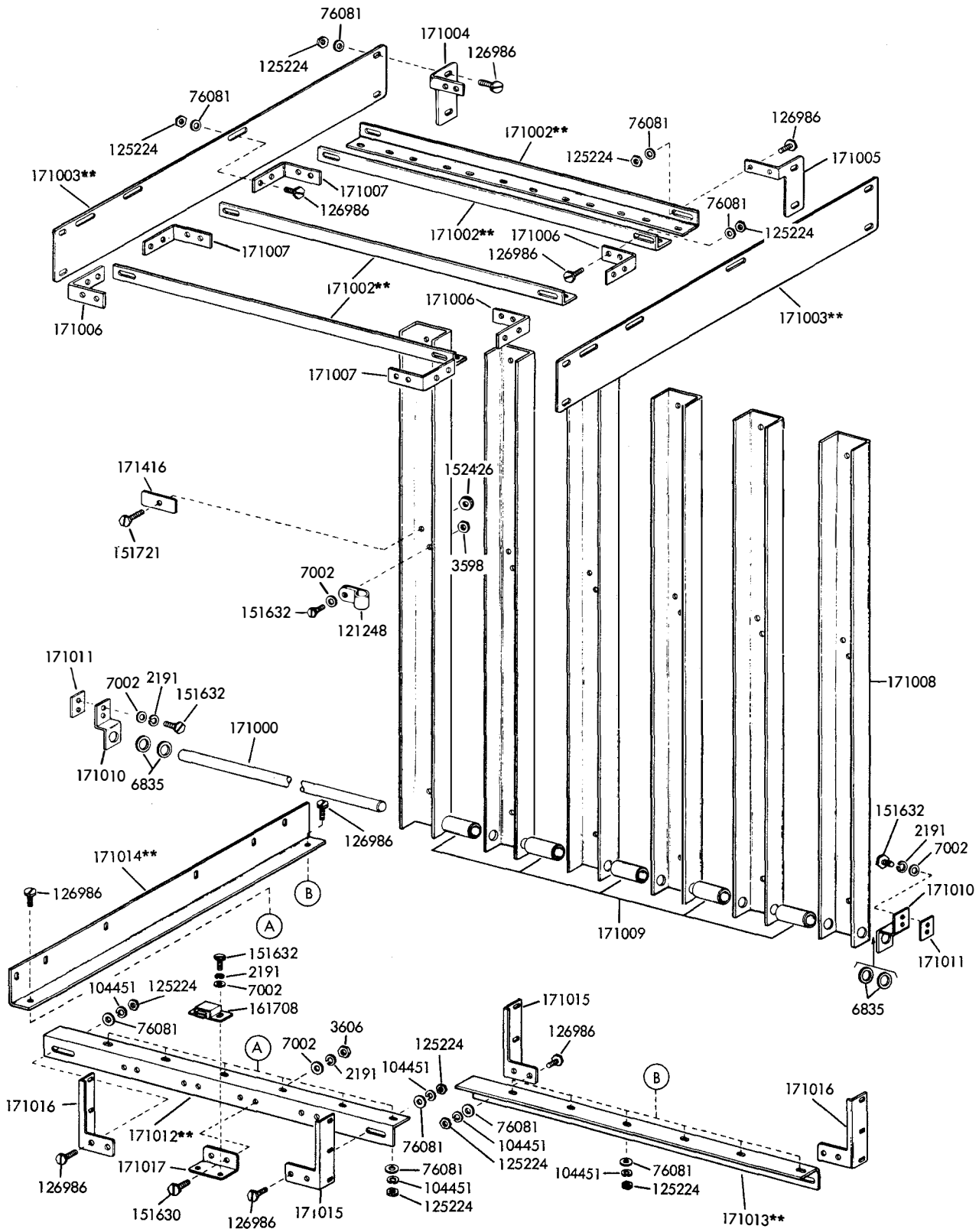
*PART OF 171917

FIGURE 1-9. CABLES AND CONNECTORS



**SEE CHART ON PAGE D
FOR COLOR FINISH SUFFIXES

FIGURE 1-10. RELAY, TERMINAL BOARD AND BRACKETS



**SEE CHART ON PAGE D
FOR COLOR FINISH SUFFIXES

FIGURE 1-11. BRACKETS AND BRACES FOR STORAGE DRAWER ASSEMBLIES

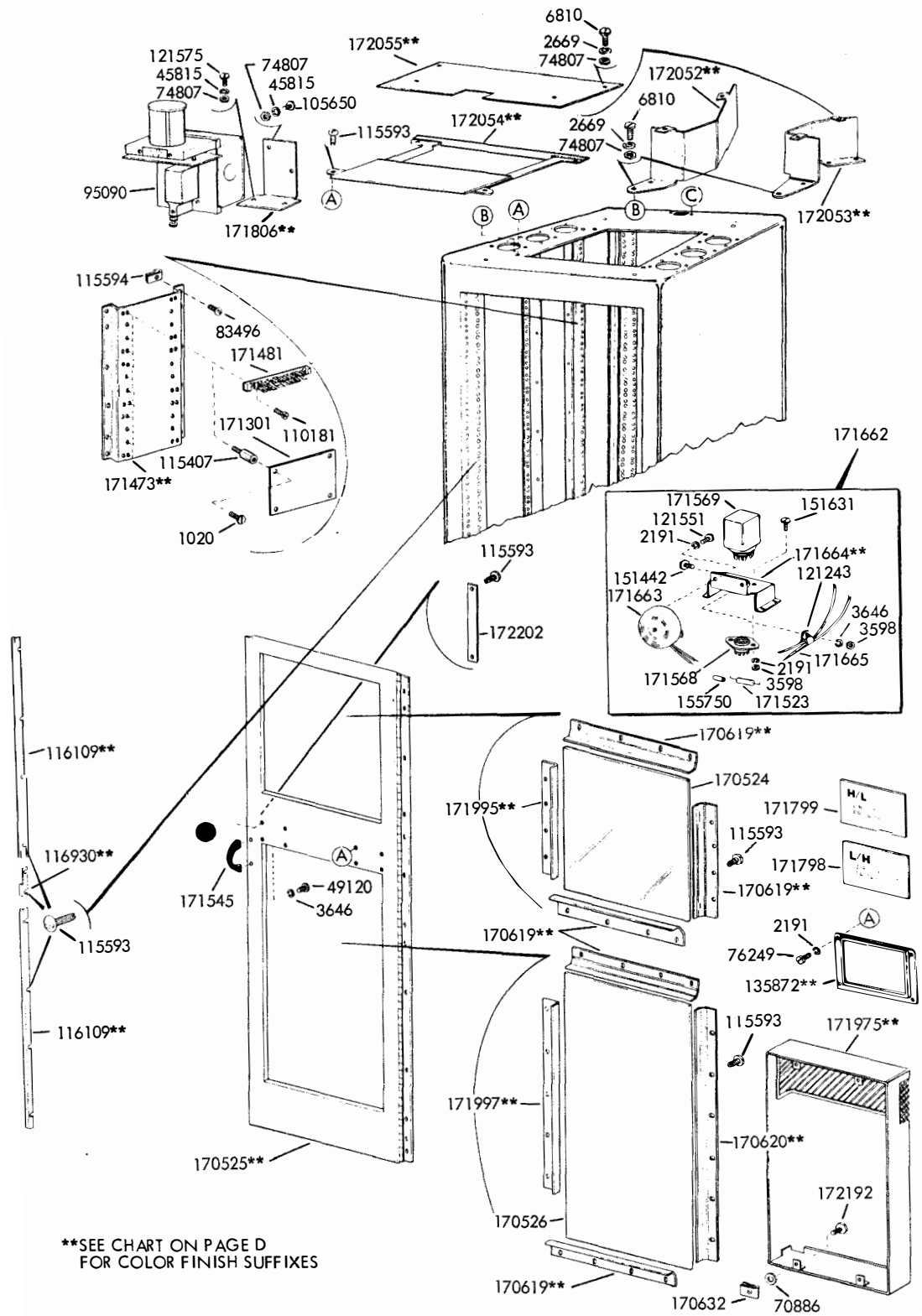
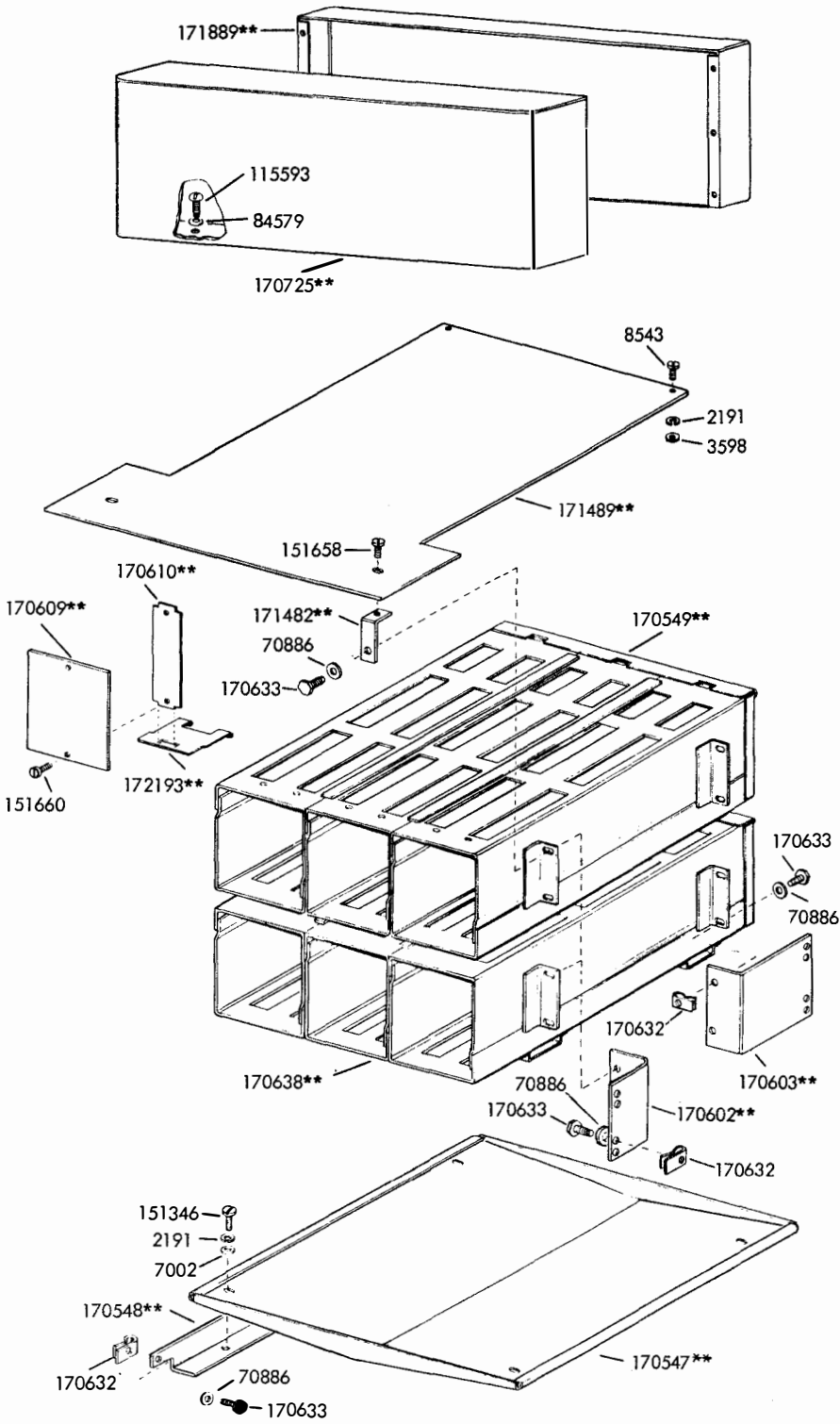
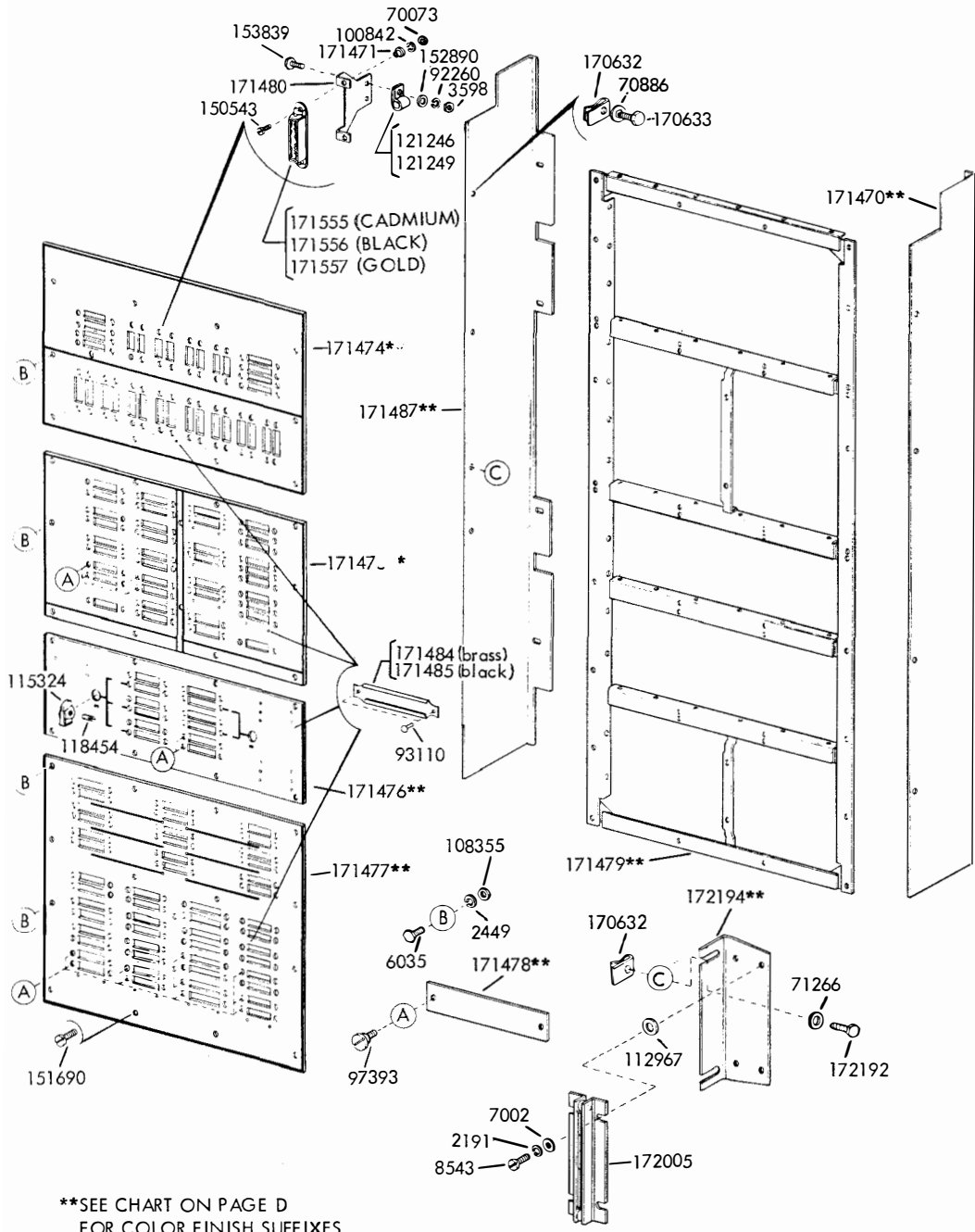


FIGURE 1-12. FRONT DOOR, ALARMS AND CABLE DIVIDERS



** SEE CHART ON PAGE D
FOR COLOR FINISH SUFFIXES

FIGURE 1-13. MODULE CONTAINERS AND COVER SHIELDS



**SEE CHART ON PAGE D
FOR COLOR FINISH SUFFIXES

FIGURE 1-14. PANELS AND FRAME

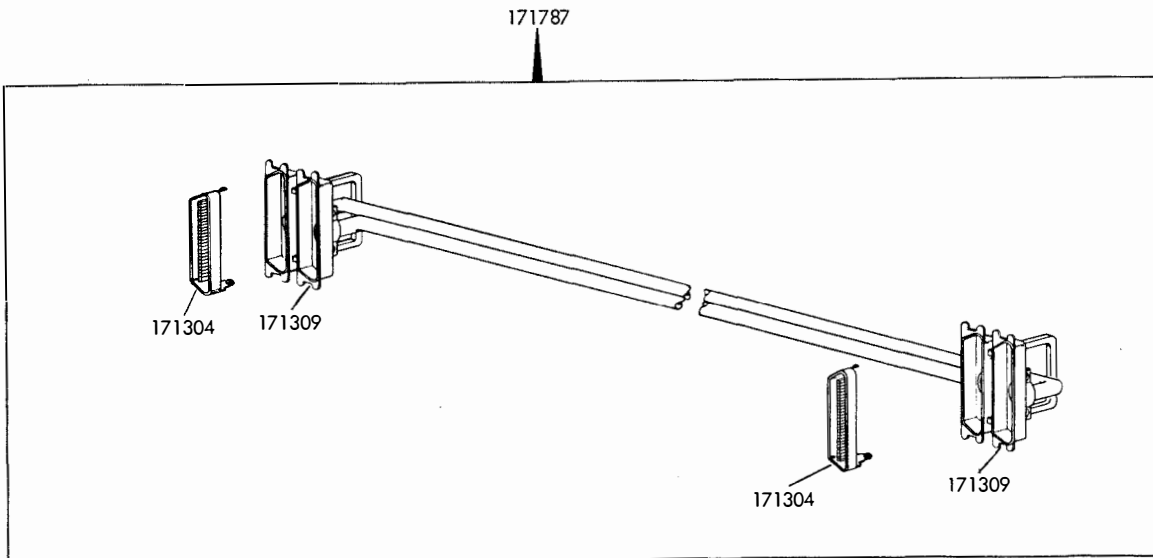
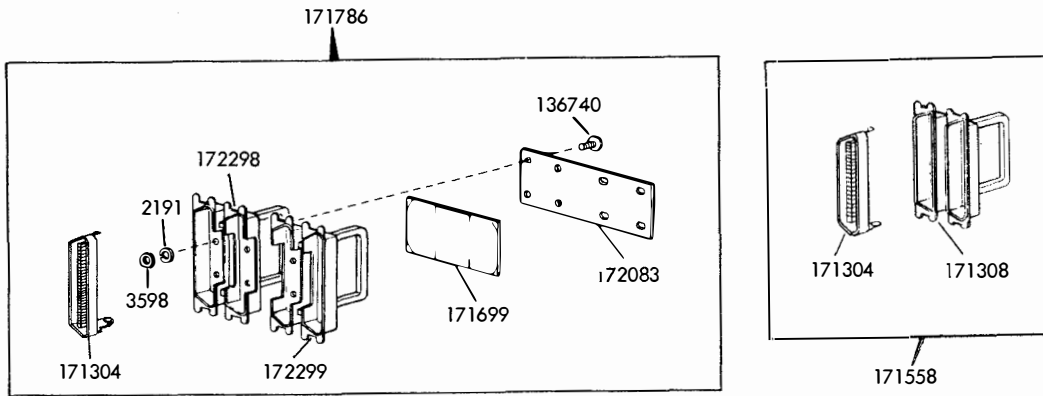
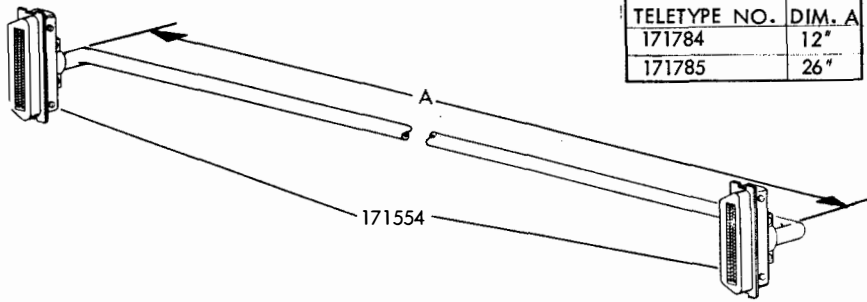
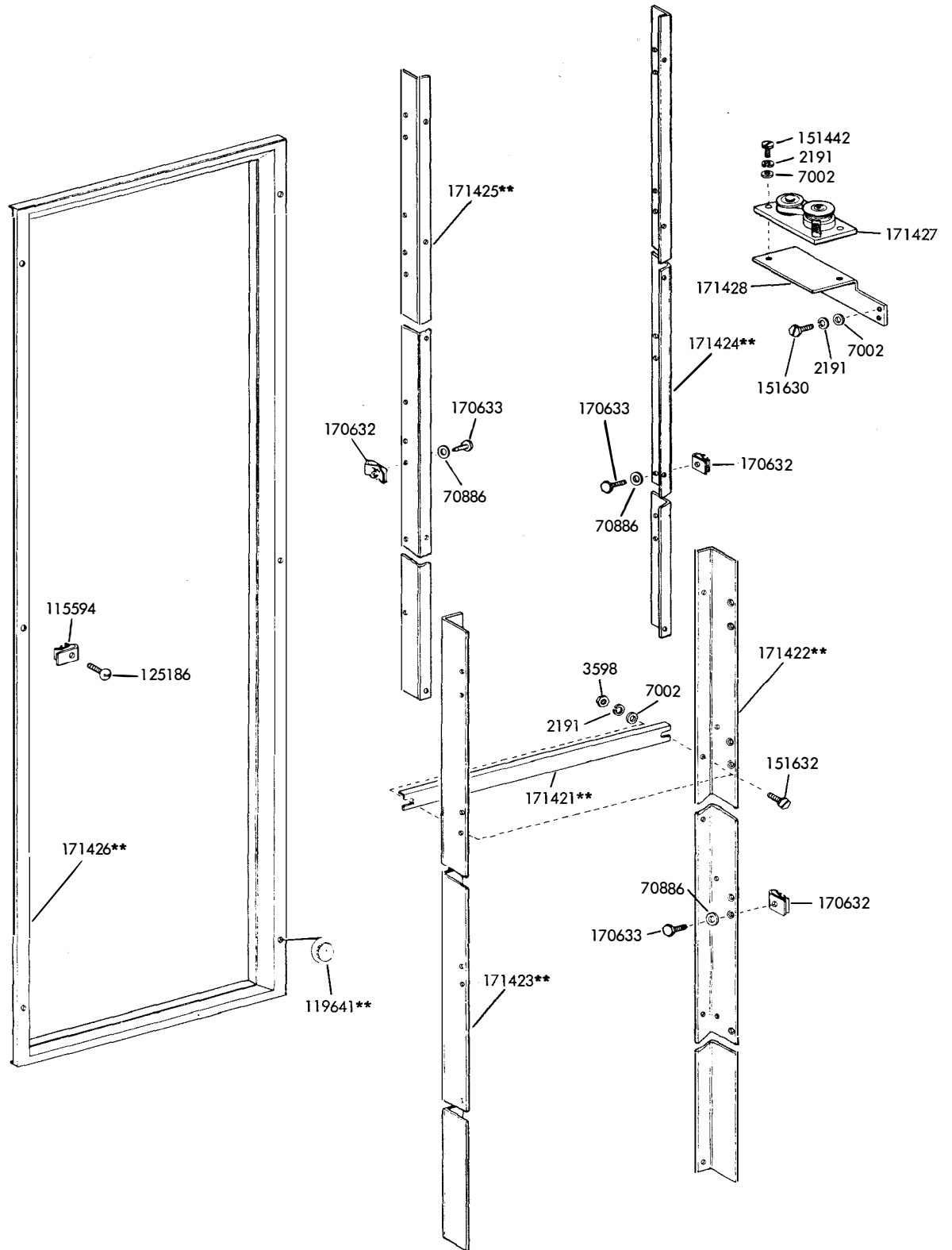
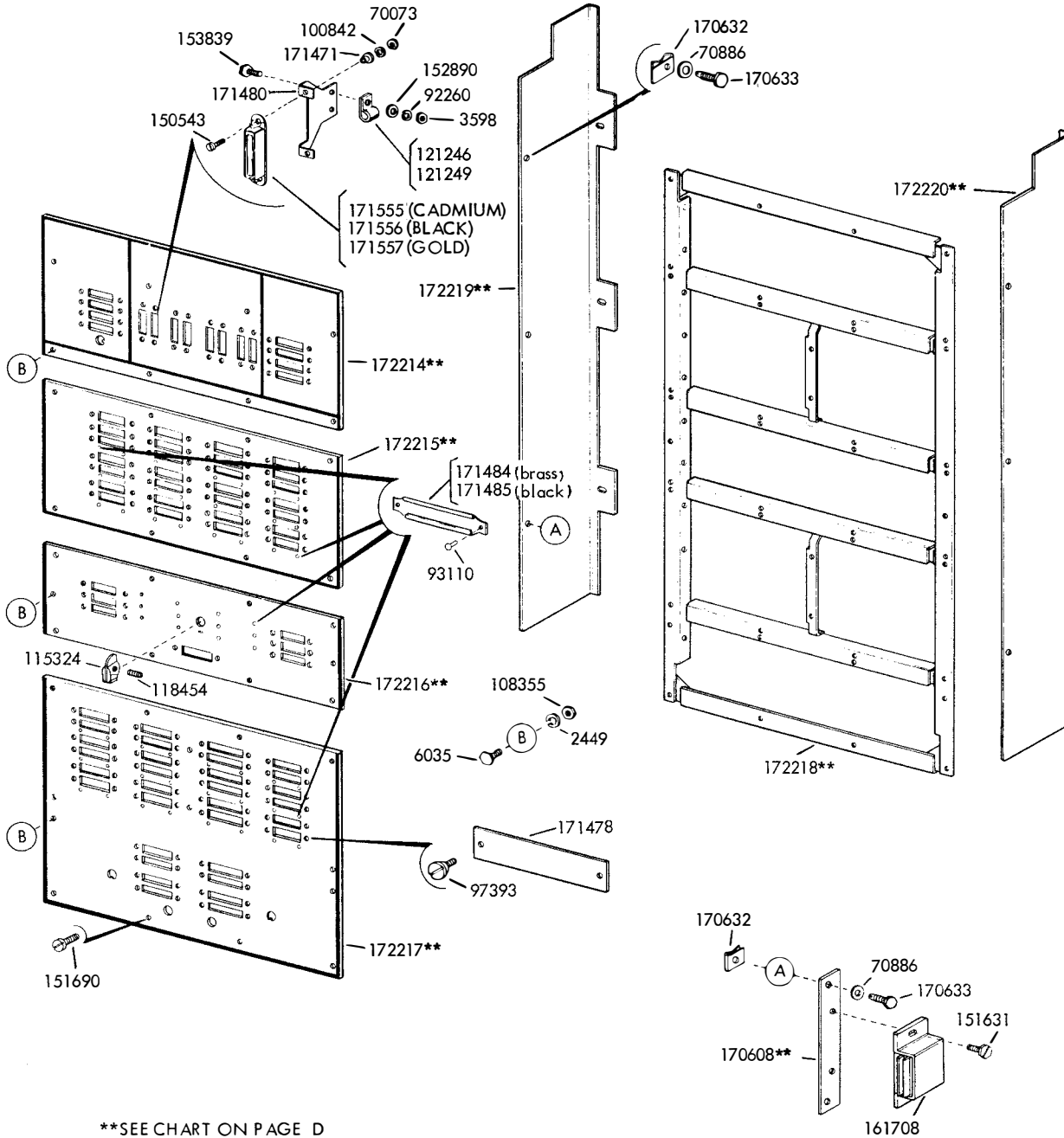


FIGURE 1-15. PATCH CORDS



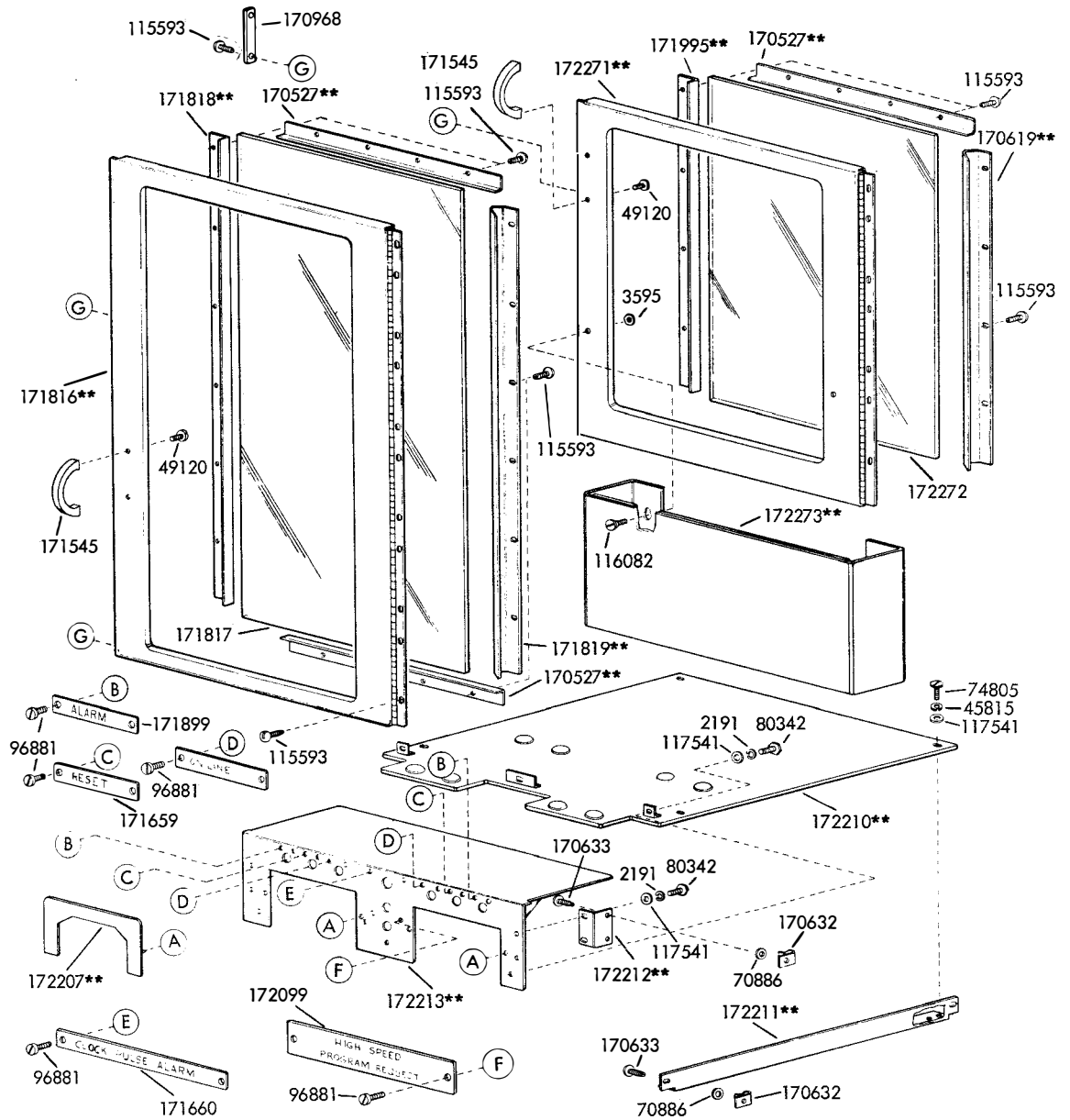
**SEE CHART ON PAGE D
FOR COLOR FINISH SUFFIXES

FIGURE 1-16. FRAME AND BRACKETS



**SEE CHART ON PAGE D
FOR COLOR FINISH SUFFIXES

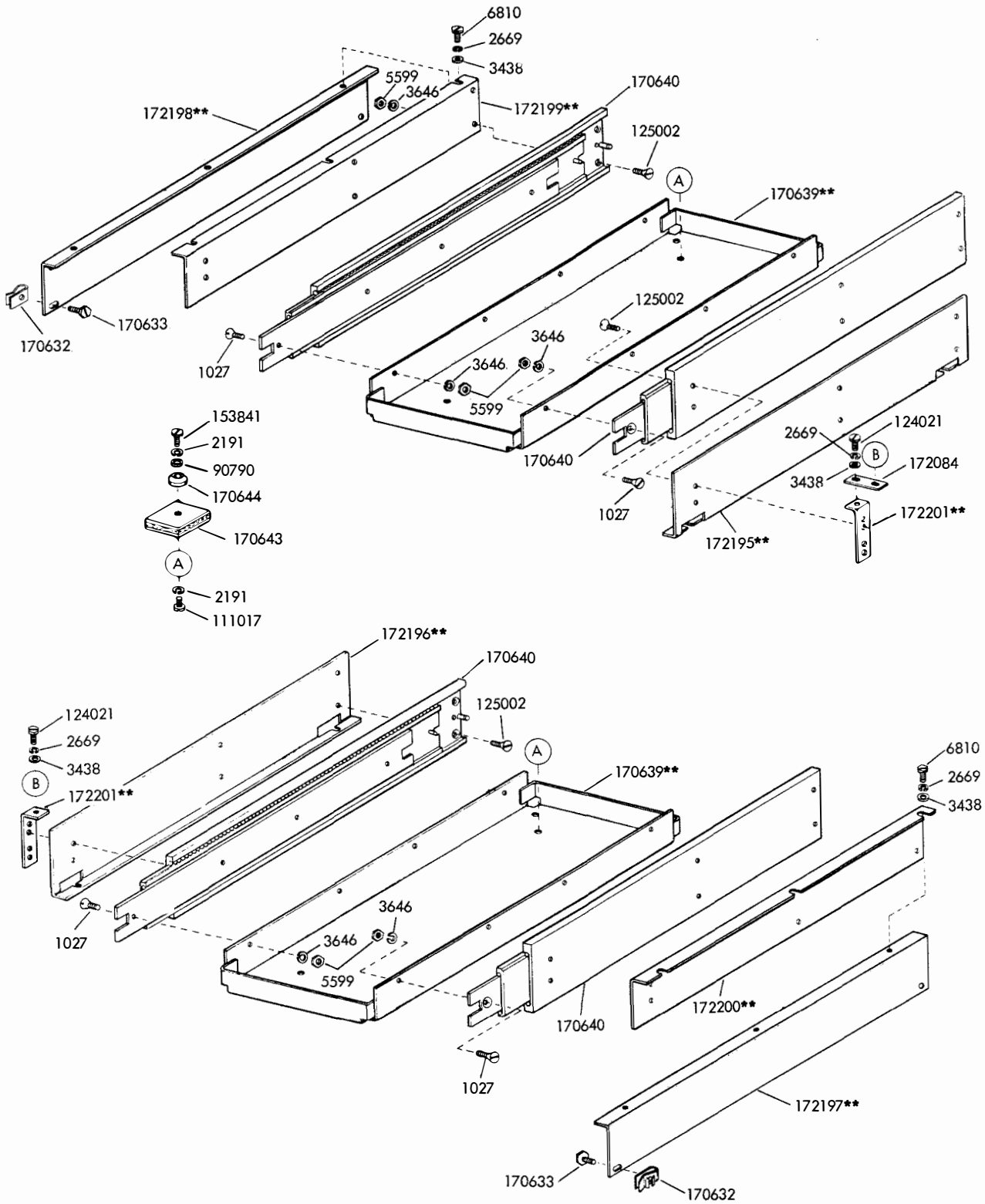
FIGURE 1-17. PANELS AND FRAME



**SEE CHART ON PAGE D
FOR COLOR FINISH SUFFIXES

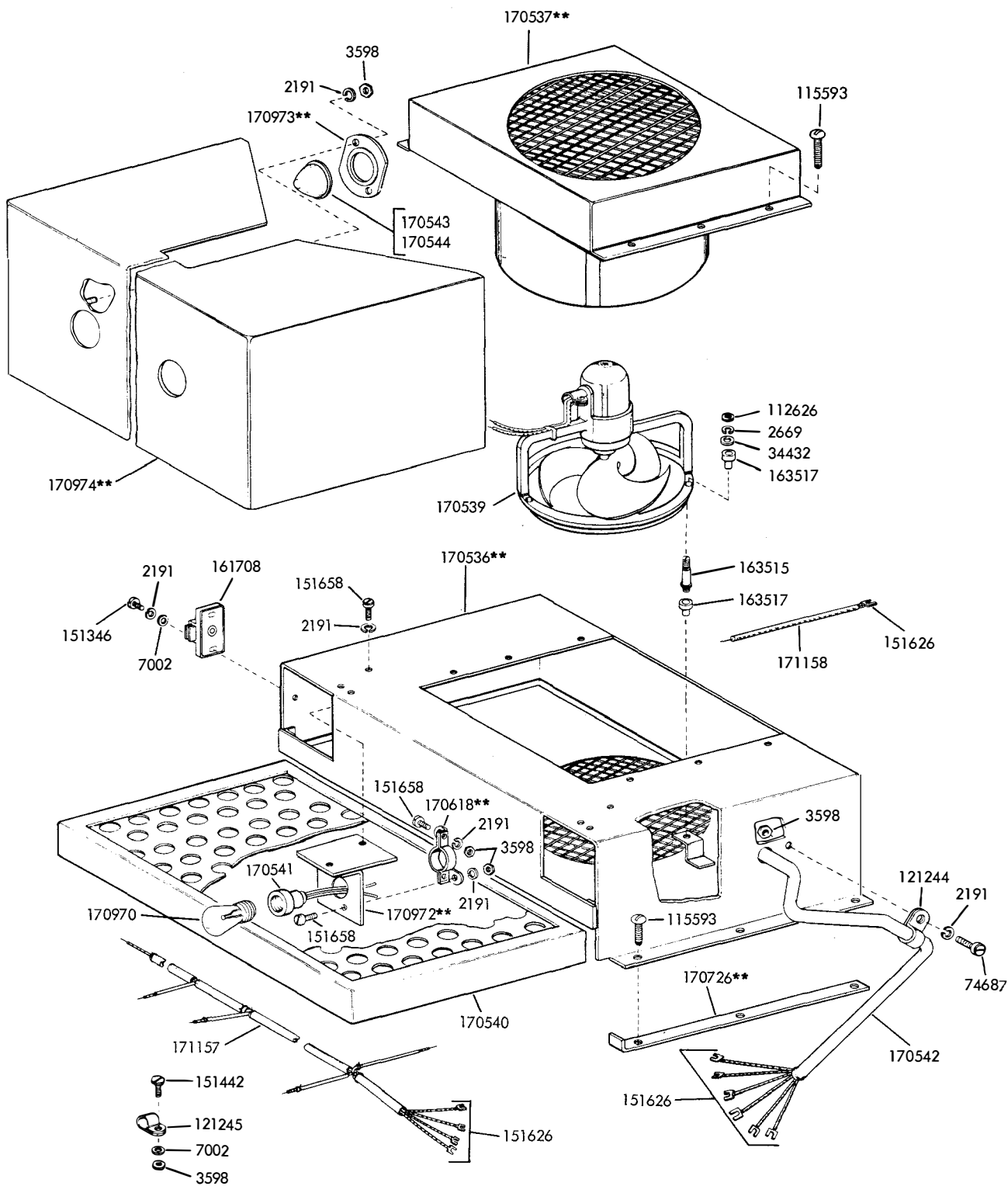
FIGURE 1-18. UPPER AND LOWER DOORS AND SHIELD ASSEMBLY

1179B



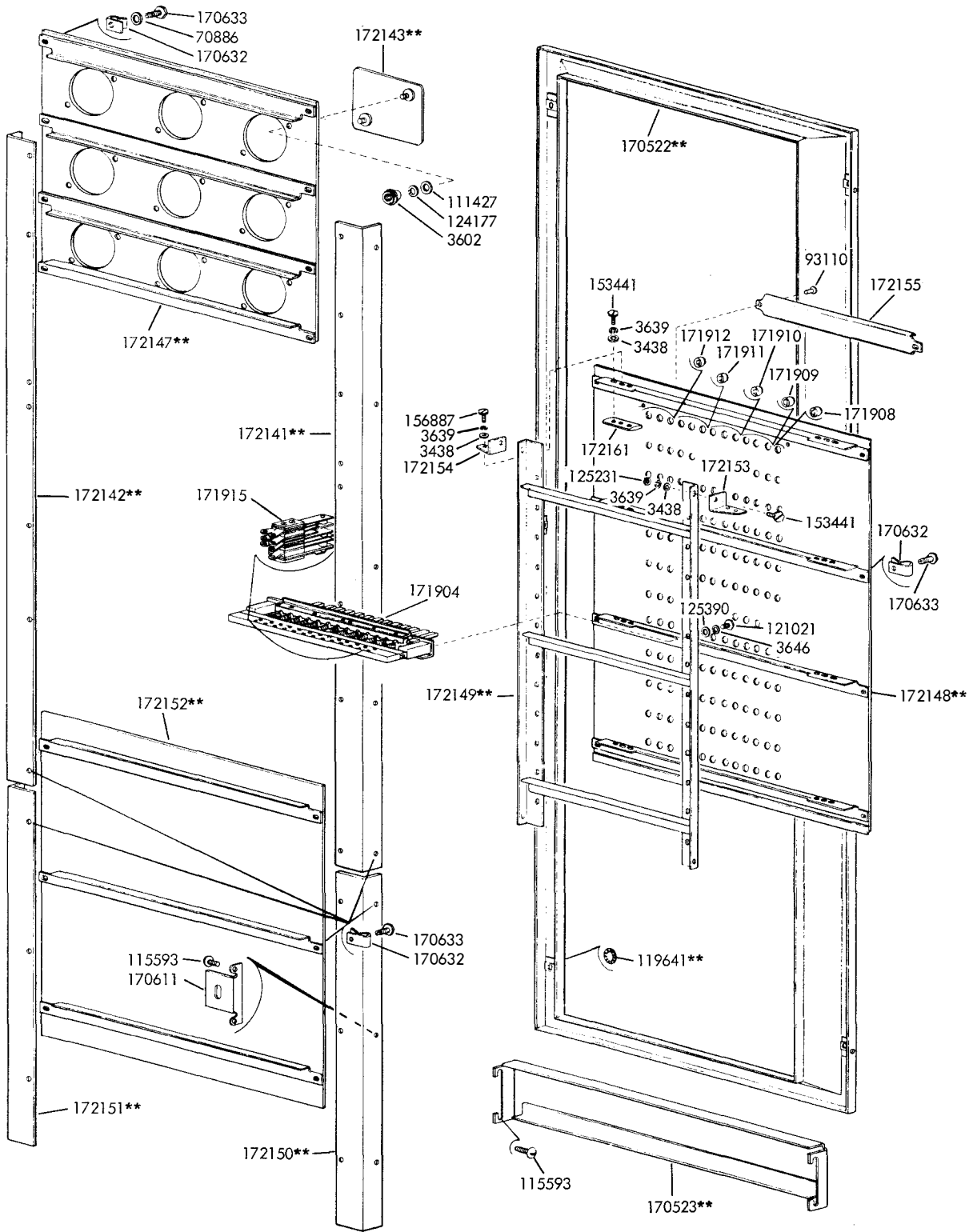
**SEE CHART ON PAGE D
FOR COLOR FINISH SUFFIXES

FIGURE 1-19. SLIDE ASSEMBLIES FOR R-T SET MOUNTINGS



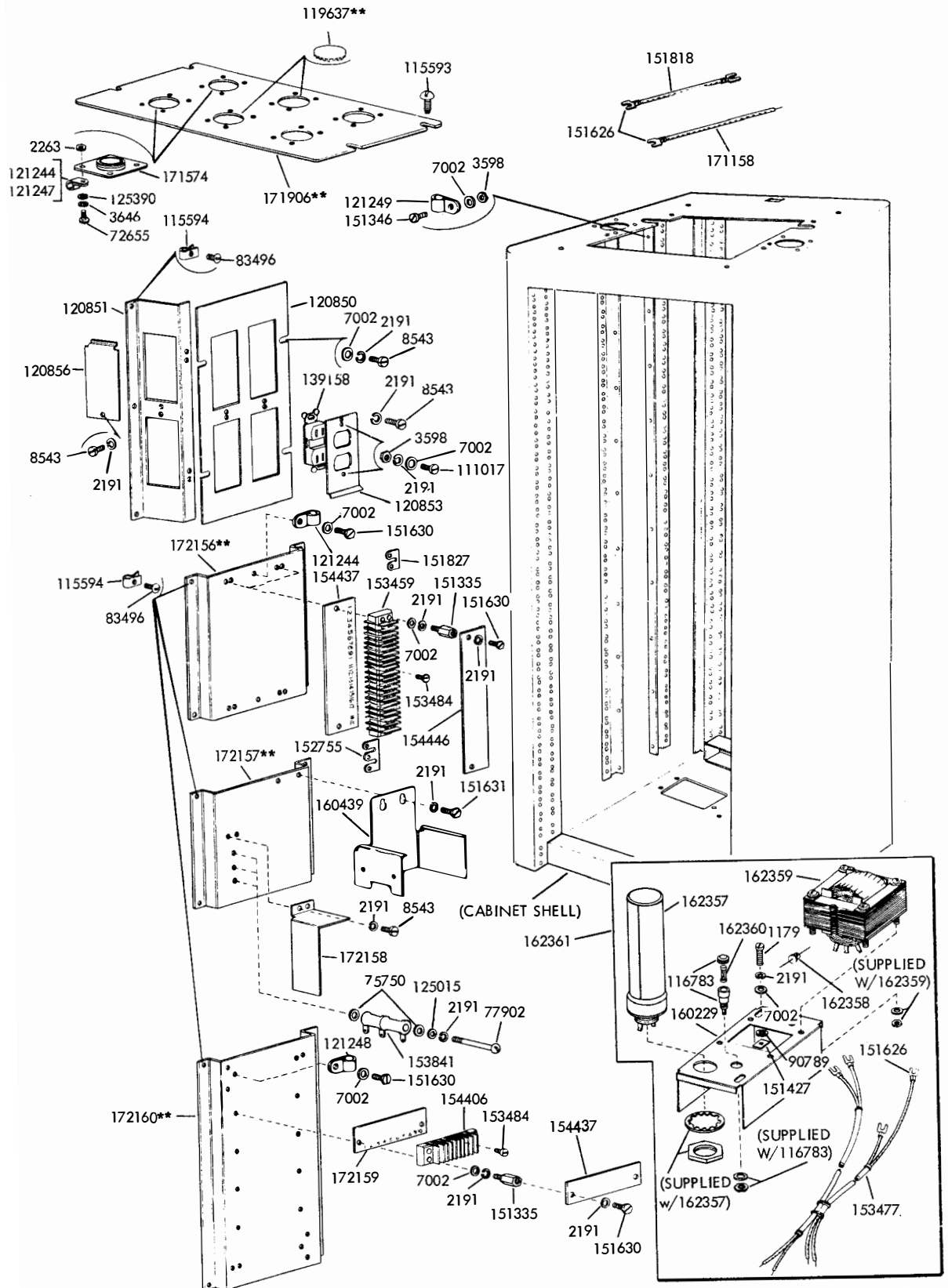
**SEE CHART ON PAGE D
FOR COLOR FINISH SUFFIXES

FIGURE 1-20. BLOWER SYSTEM FOR CONVERTER CABINETS



**SEE CHART ON PAGE D
FOR COLOR FINISH SUFFIXES

FIGURE 1-21. PANELS, STRIPS AND FRAME



**SEE CHART ON PAGE D
FOR COLOR FINISH SUFFIXES

FIGURE 1-22. SIDE PLATES AND ELECTRICAL APPARATUS

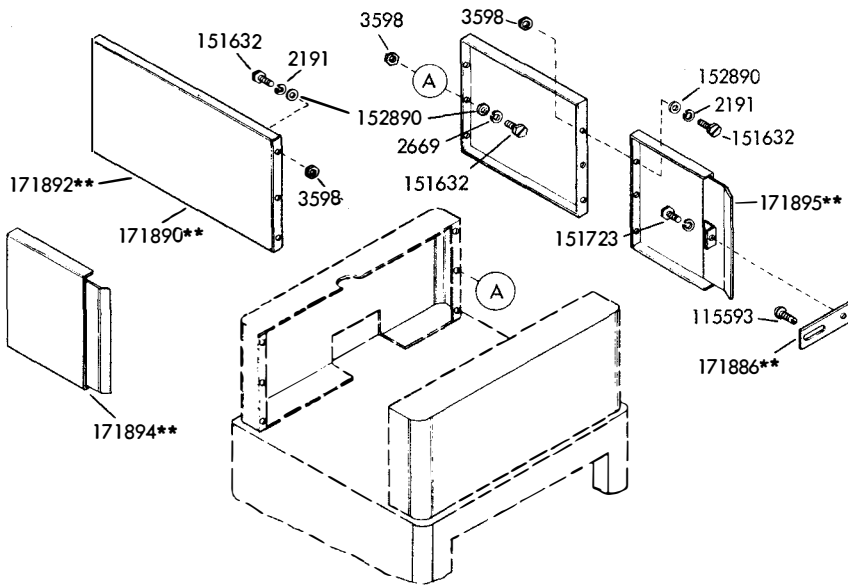
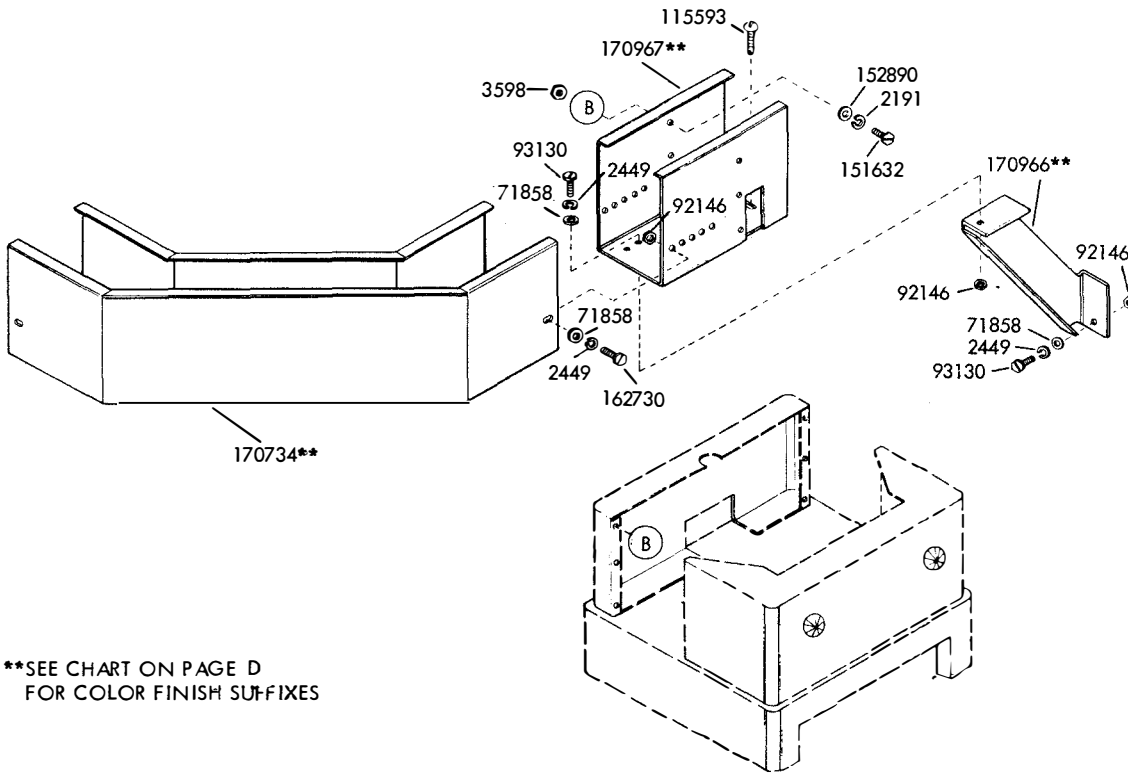


FIGURE 1-23. COVER PLATES



**SEE CHART ON PAGE D
FOR COLOR FINISH SUFFIXES

FIGURE 1-24. 170559** OVERHEAD CORNER CABLE DUCT

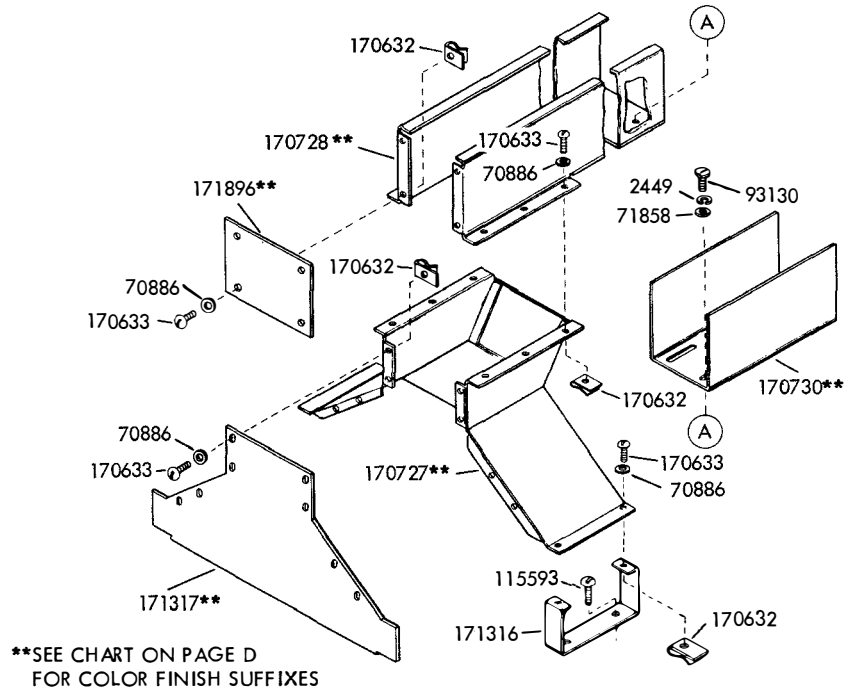


FIGURE 1-25. 170561** SET OF PARTS TO PROVIDE CROSS-OVER CABLE DUCT

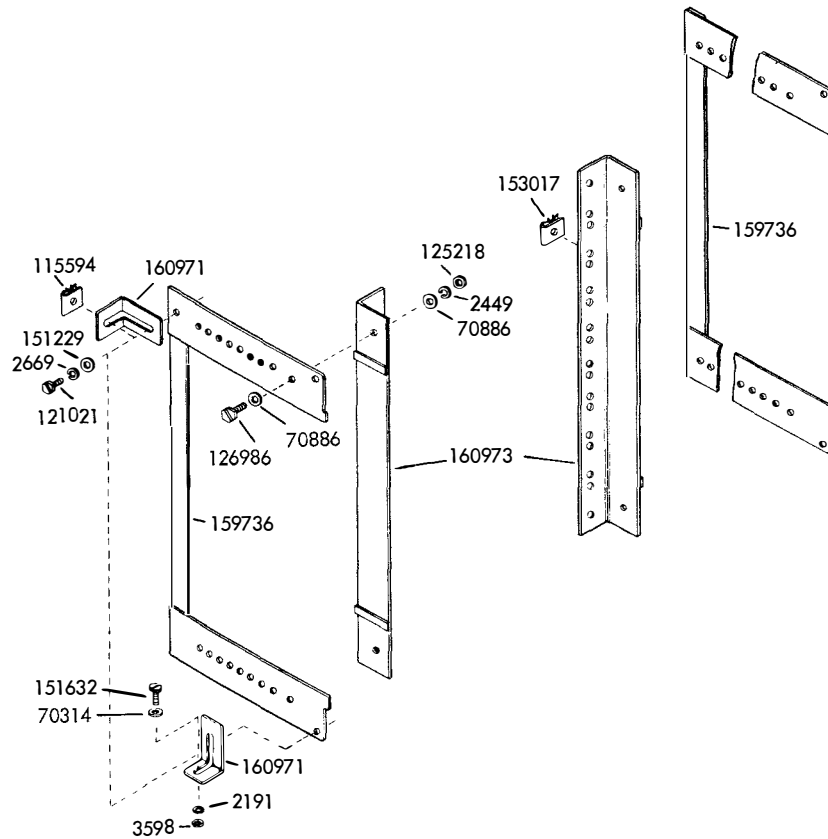
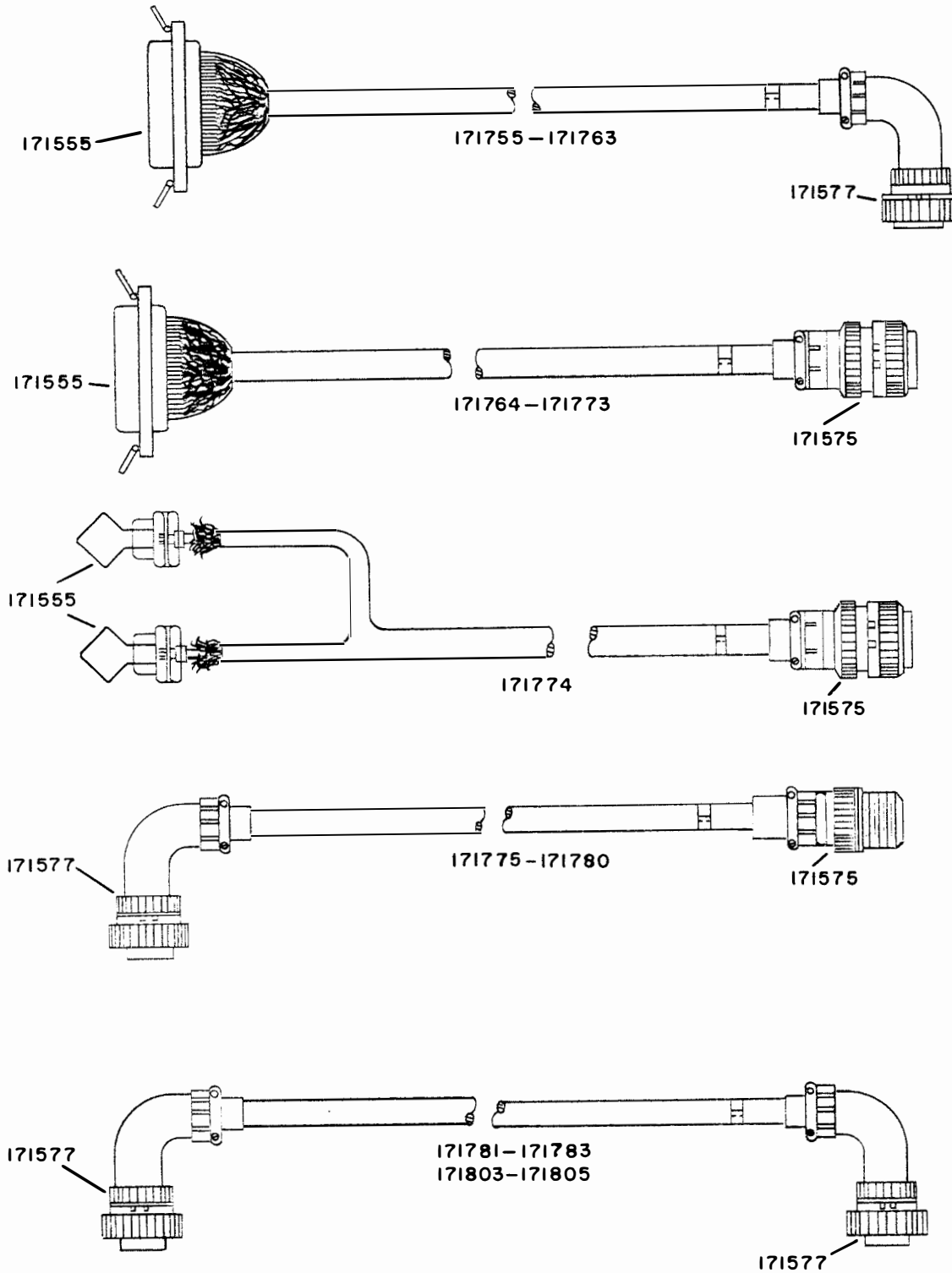


FIGURE 1-26. 160387 MODIFICATION KIT TO PROVIDE RELAY RACK BRACKETS



NOTE.
ALL INTERCONNECTING CABLES
HAVE IDENTIFICATION TAGS

FIGURE I-27. TYPES OF INTERCONNECTING CABLES

NUMERICAL INDEX - SECTION 1

Part Number	Description and Page Number	Part Number	Description and Page Number	Part Number	Description and Page Number
1020	Screw (6-40 x 1/4 Hex) 1-13	44048	Washer, Flat 1-8, 1-9	85308	Nut (5/8-32 Hex) 1-2
1027	Screw (8-32 x 1/2 Flat) 1-20	45815	Washer, Lock 1-2, 1-13, 1-19	89548	Spring 1-9
1033	Screw (6-40 x 5/16 Hex) 1-11	45969	Screw (10-32 x 3/4 Flat) 1-5	90125	Mounting, Rubber 1-6
1038	Screw (6-40 x 9/32 Fil) 1-9	49120	Screw (8-32 x 3/8 Fil) 1-13, 1-18	90789	Washer, Flat 1-23
1147	Screw (5/16-32 x 1/2 Hex) 1-2	55219	Screw (8-32 x 3/8 Rd) 1-4	90790	Washer, Flat 1-20
1179	Screw (6-40 x 5/8 Fil) 1-9, 1-23	55320	Screw (8-32 x 7/16 Rd) 1-7	92146	Nut (1/4-20) 1-24
1248	Screw (6-40 x 1/2 Flat) 1-7, 1-9	70073	Nut (3-48 Hex) 1-15, 1-18	92260	Washer, Lock 1-15, 1-18
1253	Screw (8-32 x 1/4 Rd) 1-8, 1-9	70314	Washer, Flat 1-25	93110	Pin, Drive 1-15, 1-18, 1-22
2191	Washer, Lock (Used Extensively)	70886	Washer, Flat 1-7, 1-8, 1-13, 1-14, 1-15, 1-17, 1-18, 1-19, 1-22, 1-24, 1-15	93130	Screw (1/4-20 x 1/2 Hex) 1-24, 1-25
2263	Nut (8-32 Hex) 1-9, 1-23	71266	Washer, Flat 1-2, 1-4, 1-15	94565	Screw (8-32 x 13/32 Fil) 1-7
2449	Washer, Lock 1-15, 1-18, 1-24, 1-25	71858	Washer, Flat 1-24, 1-25	95002	Holder, Fuse 1-5
2481	Washer, Flat 1-4	72655	Screw (8-32 x 1/2 Hex) 1-9, 1-23	95090	Chime 1-13
2669	Washer, Lock 1-2, 1-6, 1-8, 1-9, 1-12, 1-20, 1-21, 1-25	73776	Screw (3/16-32 x 3/16 Fil) 1-6	95841	Screw (10-32 x 1/2 Fil) 1-5
3438	Washer, Flat 1-4, 1-5, 1-6, 1-8, 1-9, 1-20, 1-22	74687	Screw (6-40 x 5/8 Fil) 1-21	96881	Screw (2-56 x 5/64 Rd) 1-10, 1-19
3595	Nut (1/4-32 Hex) 1-19	74805	Screw (10-32 x 3/4 Hex) 1-19	97296	Screw (10-32 x 5/16 Fil) 1-2
3598	Nut (6-40 Hex) (Used Extensively)	74807	Nut (10-32) 1-2, 1-8, 1-9, 1-13	97393	Screw, Shoulder (6-40) 1-15, 1-18
3602	Nut, Screw 1-22	75231	Bushing 1-9	98642	Washer, Lock 1-2
3606	Nut (6-40 Hex) 1-4, 1-7, 1-9, 1-10, 1-12	75750	Washer, Fiber 1-9, 1-23	99802	Plate 1-9
3639	Washer, Lock 1-22	76081	Washer, Flat 1-12	99803	Insulator 1-9
3640	Washer, Lock 1-7, 1-9	76249	Screw (6-40 x 1/8 Rd) 1-13	99804	Insulator 1-9
3646	Washer, Lock 1-4, 1-6, 1-7, 1-9, 1-13, 1-22, 1-23	76461	Washer, Flat 1-4	99805	Plunger 1-9
4814	Washer, Lock 1-2	76850	Screw (5/16-18 x 5/8 Hex) 1-2	99806	Bracket 1-9
5599	Nut (8-32 Hex) 1-4, 1-6, 1-8, 1-20	77438	Receptacle (3 wire) 1-5	99807	Spring 1-9
6035	Screw (1/4-20 x 5/8 Hex) 1-15, 1-18	77902	Screw (6-40 x 2-1/2 Rd) 1-9, 1-23	99809	Contact, Spring 1-9
6810	Screw (10-32 x 3/8 Hex) 1-2, 1-8, 1-13, 1-20	79012	Washer, Insulator 1-9	99978	Plug 1-10
6827	Block 1-9	79523	Screw (2-56 x 25/32 Fil) 1-9	100842	Washer, Lock 1-15, 1-18
6835	Washer, Flat 1-12	80342	Screw (6-40 x 23/64 Hex) 1-19	102629	Detent, Spring 1-7
6987	Washer, Flat 1-11	80905	Fuse (1 Amp) 1-5	103000	Screw (6-40 x 1/4 Flat) 1-6
7002	Washer, Flat (Used Extensively)	82414	Knob, Detent 1-7	103081	Screw (1/4-20 x 1/2 Fil) 1-5
8449	Washer, Flat 1-7	82516	Spring 1-9	104451	Washer, Lock 1-12
8543	Screw (6-40 x 1/4 Fil) 1-4, 1-5, 1-9, 1-11, 1-14, 1-15, 1-23	83496	Screw (8-32 x 5/16 Rd) 1-5, 1-13, 1-23	105650	Screw (10-32 x 7/16 Hex) 1-13
34432	Washer, Flat 1-2, 1-21	83497	Washer, Flat 1-7	108355	Nut (1/4-20 Hex) 1-15, 1-18
		84045	Screw, Thumb 1-7	108809	Screw (10-32 x 27/32 Hex) 1-2
		84579	Washer, Flat 1-2, 1-6, 1-14	110181	Screw (4-40 x 5/16 Fil) 1-13
				111017	Screw (6-40 x 5/16 Fil) 1-5, 1-20, 1-23
				111427	Washer, Flat 1-22
				111811	Switch, Toggle 1-5
				112626	Nut (10-32 Hex) 1-5, 1-6, 1-21
				112967	Washer, Flat 1-4, 1-15
				114478	Nut (15/32-22 Hex) 1-5
				114589	Mount, Vibration 1-6

NUMERICAL INDEX - SECTION 1 (Continued)

Part Number	Description and Page Number	Part Number	Description and Page Number	Part Number	Description and Page Number
114654	Terminal 1-9	121248	Clamp, Cable (1/2" I. D.) 1-10, 1-12, 1-23	151442	Screw (6-40 x 1/2 Hex) 1-13, 1-17
115324	Knob 1-15, 1-18			151540	Socket, Lamp 1-10
115407	Post 1-13	121249	Clamp, Cable (5/8" I. D.) 1-10, 1-15, 1-18, 1-23	151549	Post 1-6
115593	Screw (Self-Tapping) (Used Extensively)			151606	Screw (10-32 x 1/4 Hex) 1-2
115594	Nut, Speed (8-32) 1-5, 1-8, 1-9, 1-11, 1-13, 1-17, 1-23, 1-25	121551	Screw (8-32 x 1/4 Hex) 1-13	151626	Terminal 1-9, 1-10, 1-21, 1-23
116001	Frame, Base-Front 1-2	121575	Screw (10-32 x 5/16 Hex) 1-13	151630	Screw (6-40 x 1/4 Hex) 1-7, 1-8, 1-9, 1-10, 1-12, 1-17, 1-23
116002	Frame, Base-Rear 1-2	124021	Screw (8-32 x 3/8 Hex) 1-20	151631	Screw (6-40 x 5/16 Hex) 1-2, 1-8, 1-9, 1-10, 1-13, 1-18, 1-23
116003	Duct, Wire 1-2				
116082	Screw, Shoulder (1/4-32) 1-19	124177	Washer, Lock 1-22		
		124611	Screw (8-32 x 3/8 Hex) 1-6	151632	Screw (6-40 x 3/8 Hex) 1-7, 1-8, 1-12, 1-17, 1-24, 1-25
116109**	Strip 1-13			151657	Screw (6-40 x 1/4 Fil) 1-6, 1-8
116112	Bushing 1-2	124848	Holder, Fuse 1-5	151658	Screw (6-40 x 5/16 Fil) 1-14, 1-21
116113	Washer, Flat 1-2	125002	Screw (8-32 x 3/8 Flat) 1-6, 1-20	151660	Screw (6-40 x 7/8 Fil) 1-14
116114	Handle 1-2				
116115	Stud 1-2	125011	Washer, Flat 1-9	151685	Screw (4-40 x 5/16 Fil) 1-7
116116	Latch 1-2	125015	Washer, Flat 1-9, 1-23	151690	Screw (10-32 x 29/64 Fil) 1-15, 1-18
116190**	Plate, Name 1-2	125186	Screw (8-32 x 3/4 Fil) 1-8, 1-11, 1-17	151721	Screw (6-40 x 3/4 Hex) 1-12
116698	Lamp 1-10				
116783	Holder, Fuse 1-23	125218	Nut (1/4-32 Hex) 1-25	151722	Screw (6-40 x 3/16 Hex) 1-8
116930**	Bracket, Strike 1-13	125231	Nut (10-32 Hex) 1-22	151723	Screw (10-32 x 3/8 Hex) 1-2, 1-5, 1-9, 1-24
117360	Plate 1-2	125244	Nut (1/4-32 Hex) 1-12	151808	Relay, Line Shunt 1-8
117535	Washer, Flat 1-4	125302	Pin, Cotter 1-8	151814	Bracket, Relay 1-8
117541	Washer, Flat 1-19	125390	Washer, Flat 1-6, 1-7, 1-8, 1-9, 1-22, 1-23	151818	Strap 1-23
117608	Nut, Speed 1-2			151819	Jumper 1-9
117741	Slide, Left Hand 1-5	126986	Screw (1/4-32 Hex) 1-12, 1-25	151827	Strap, Terminal 1-23
117742	Slide, Right Hand 1-5			151982	Lamp 1-10
117743	Roller 1-6	128302	Cover, Side 1-5	152109	Filter 1-9
117824	Shim (.016") 1-5	128304	Plate, Receptacle 1-5	152110	Bracket 1-9
117825	Post 1-6	128312	Panel, Left 1-5	152124	Spacer 1-9
118454	Screw, Set (8-32) 1-15, 1-18	128313	Panel, Right 1-5	152426	Nut, Self Locking (6-40) 1-12
		128394	Stud 1-6		
119637**	Button, Plug 1-23	128836	Nut (10-32 Hex) 1-2	152465	Connector, Receptacle 1-10
119639**	Button, Plug 1-2	129098	Screw (6-40 x 11/32 Flat) 1-9	152466	Connector, Receptacle 1-10
119641**	Button, Plug 1-17, 1-22			152755	Strap, Terminal 1-23
119935	Washer, Lock 1-2	129431	Fuse-tron (4 Amp) 1-5	152890	Washer, Flat 1-15, 1-18, 1-24
120175	Plate, Off-On 1-5	131891	Screw (3-48 x 1 Rd) 1-9	152893	Screw (4-40 x 1/4 Hex) 1-9
120850	Plate, Receptacle 1-23	135872**	Holder, Cord 1-13		
120851	Cover, Side 1-23	135971	Plate 1-5	153017	Nut, Speed 1-25
120852	Plate 1-5	136408	Connector, Receptacle 1-10	153020	Guide, Line 1-7
120853	Plate 1-5, 1-23			153021	Spring, Torsion 1-7
120856	Plate 1-5, 1-23	136740	Screw (6-40 Hex) 1-16	153022	Bushing 1-7
121021	Screw (8-32 x 5/8 Hex) 1-22, 1-25	136953	Stop, Tray-Left 1-5		
		138225	Block, Terminal 1-8		
121243	Clamp, Cable (3/16" I. D.) 1-8, 1-10, 1-13	139158	Connector, Receptacle 1-5, 1-23		
121244	Clamp, Cable (1/4" I. D.) 1-21, 1-22	150543	Screw (3-48 x 13/32 Fil) 1-15, 1-18		
121245	Clamp, Cable (5/16" I. D.) 1-8, 1-9, 1-21	151229	Washer, Flat 1-25		
121246	Clamp, Cable (3/8" I. D.) 1-9, 1-15, 1-18	151335	Post 1-8, 1-9, 1-23		
121247	Clamp, Cable (7/16" I. D.) 1-22	151346	Screw (6-40 x 13/16 Fil) 1-2, 1-14, 1-21, 1-23		
		151427	Plate, Clamp 1-23		

NUMERICAL INDEX - SECTION 1 (Continued)

Part Number	Description and Page Number	Part Number	Description and Page Number	Part Number	Description and Page Number
153023	Handle 1-7	162358	Diode 1-23		(Used Extensively)
153441	Screw (10-32 x 7/16 Hex) 1-22	162359	Transformer 1-23	170638**	Container, Module 1-14
153459	Terminal Board 1-8, 1-23	162360	Fuse (8/10 Amp) 1-23	170639**	Bracket 1-20
153464	Block 1-9	162361	Rectifier and Cable Assembly 1-23	170640	Slide 1-19
153477	Cable Assembly 1-23	162678	Contact Assembly 1-9	170643	Mount, Isolator 1-20
153481	Resistor 1-9	162692	Pin 1-8	170644	Button, Locating 1-20
153484	Screw, Terminal (6-32) 1-8, 1-23	162730	Screw (1/4-20 x 7/16 Hex) 1-24	170645**	Bracket, Fuse 1-2
153537	Screw (6-40 x 9/32 Hex) 1-4	162865	Spacer 1-9	170700	Terminal Board 1-11
153839	Screw (6-40 x 5/8 Hex) 1-15, 1-18	163515	Stud, Shoulder 1-21	170725**	Shield, Back 1-14
153841	Screw (6-40 x 9/16 Hex) 1-20, 1-23	163517	Bushing 1-21	170726**	Guide 1-21
154406	Terminal Board Assembly 1-2, 1-8, 1-9, 1-23	170322	Lens (Red) 1-10	170727**	Duct, Elbow 1-25
154437	Insulator 1-8, 1-23	170323	Lens (Yellow) 1-10	170728**	Duct 1-25
154446	Cover 1-8, 1-9, 1-23	170522**	Frame 1-22	170730**	Coupling, Duct 1-25
154452	Cover 1-8, 1-9	170523**	Plate 1-22	170734**	Duct 1-24
155750	Sleeve, Insulating 1-13	170524	Window 1-13	170735**	Bar, Deflection 1-4
155754	Sleeve, Insulating 1-9	170525**	Door 1-13	170966**	Brace 1-24
156632	Screw (6-40 x 13/32 Hex) 1-8	170526	Window 1-13	170967**	Extension 1-24
156740	Screw (6-40 x 7/32 Hex) 1-11	170527**	Clamp 1-19	170968**	Strike 1-19
156768	Screw (8-32 x 9/32 Hex) 1-8	170529**	Bracket 1-11	170970	Bulb 1-21
156887	Screw (10-32 x 9/16 Hex) 1-22	170532**	Box, Junction 1-2	170972**	Bracket 1-21
158287	Transformer 1-8	170533**	Door Assembly 1-2	170973**	Bracket, Lens 1-21
158291	Cover, Relay 1-8	170536**	Housing, Fan 1-21	170974**	Cowling, Fan 1-21
158989	Capacitor (20 Mf) 1-5	170537**	Cover, Fan 1-21	171000	Shaft 1-12
158990	Bracket, Mounting 1-5	170539	Fan 1-21	171002**	Angle, Top Frame 1-12
159736	Bracket 1-25	170540	Filter 1-21	171003**	Frame, Side Panel 1-12
160229	Plate, Mounting 1-23	170541	Socket 1-21	171004	Bracket, Left 1-12
160328	Relay (7 Contacts) 1-9	170542	Cable Assembly 1-21	171005	Bracket, Right 1-12
160329	Relay (4 Contacts) 1-9	170543	Lens (Red) 1-21	171006	Bracket, Top Left 1-12
160332	Flasher, Thermal 1-9	170544	Lens (Amber) 1-21	171007	Bracket, Top Right 1-12
160357	Clip, Spring 1-9	170547**	Baffle 1-14	171008	Channel 1-12
160361	Clip, Spring 1-9	170548**	Bracket, Baffle 1-14	171009	Spacer, Channel 1-12
160362	Plug, Banana 1-9	170549**	Container, Module 1-14	171010	Bracket 1-12
160363	Capacitor 1-9	170561**	Set of Parts 1-25	171011	Plate, Nut 1-12
160387	Modification Kit 1-25	170602**	Bracket 1-14	171012**	Frame, Angle 1-12
160421	Bracket 1-8	170603**	Bracket 1-14	171013**	Frame, Angle 1-12
160439	Bracket 1-9, 1-23	170608**	Bracket, Magnet 1-18	171014**	Angle, Cross Frame 1-12
160824	Resistor 1-9	170609**	Plate, Blank 1-14	171015	Brace, Corner 1-12
160971	Bracket 1-25	170610**	Retainer, Plate 1-14	171016	Brace, Corner 1-12
160973	Bracket W/Pads 1-25	170611	Bracket, Frame 1-22	171017	Bracket, Magnet 1-12
161708	Magnet 1-12, 1-18, 1-21	170613**	Bracket, Capacitor 1-5	171089**	Plate, Filler 1-11
161824	Post 1-4	170618**	Clamp, Socket 1-21	171090**	Plate, Filler 1-11
161954	Socket, Lamp 1-10	170619**	Clamp 1-13, 1-18	171091**	Plate, Filler 1-11
161994	Bracket 1-8	170620	Clamp 1-13	171092**	Plate, Filler 1-11
161995	Bracket 1-8	170621**	Plate, Cover 1-2	171157	Cable Assembly 1-21
162357	Capacitor 1-23	170624	Bar, Buss 1-2	171158	Strap 1-21, 1-22
		170625	Bushing 1-2	171301	Insulator 1-13
		170629	Fuse (15 Amp) 1-2	171304	Insert, Connector 1-16
		170631	Holder, Fuse 1-2	171308	Shell 1-16
		170632	Nut, Speed (Used Extensively)	171309	Shell 1-16
		170633	Screw, Sheet Metal	171316**	Bracket 1-25
				171317**	Plate, Cover 1-25
				171412**	Plate, Filler 1-11
				171413**	Plate, Filler 1-11
				171416	Clamp, Cable 1-12
				171417**	Plate, Cover 1-11

NUMERICAL INDEX - SECTION 1 (Continued)

Part Number	Description and Page Number	Part Number	Description and Page Number	Part Number	Description and Page Number
171421**	Strip, Mounting 1-17	171619	Relay (6V. - 16 Ohms) 1-11	171821**	Plate, Blank 1-4
171422**	Bracket, Front (R) 1-17	171620	Relay (1.5 V 1 Ohm) 1-11	171886**	Bracket 1-24
171423**	Bracket, Front (L) 1-17	171659	Plate, I.D. 1-19	171889**	Shield, Back 1-14
171424**	Bracket, Rear (R) 1-17	171660	Plate, I.D. 1-19	171890**	Plate, End 1-24
171425**	Bracket, Rear (L) 1-17	171662	Alarm Assembly 1-13	171892**	Plate, Intermediate 1-24
171426**	Frame 1-17	171663	Bell 1-13	171894**	Plate, End 1-24
171427	Spring, Extension 1-17	171664**	Bracket 1-13	171895**	Plate, End 1-24
171428	Bracket, Mounting 1-17	171665	Cable 1-13	171896**	Plate, Cover 1-25
171430**	Bracket 1-11	171665	Cable 1-13	171897	Bracket 1-2
171431	Screw (Metal 2") 1-11	171699	Insulator 1-16	171899	Plate, I.D. 1-19
171470**	Bracket, Right 1-15	171755	Cable Assembly 1-26	171903	Cable Assembly 1-9
171471	Bushing 1-15, 1-18	171756	Cable Assembly 1-26	171904	Switch, Push Button 1-22
171473**	Bracket, Terminal 1-13	171757	Cable Assembly 1-26	171905	Line Relay Mounting Assm. 1-9
171474**	Panel A 1-15	171758	Cable Assembly 1-26	171906**	Plate, Connector 1-23
171475**	Panel B 1-15	171759	Cable Assembly 1-26	171907**	Plate Assembly, Cover 1-4
171476**	Panel C 1-15	171760	Cable Assembly 1-26	171908	Button, Snap-On (Red) 1-22
171477**	Panel D 1-15	171761	Cable Assembly 1-26	171909	Button, Snap-On (Black) 1-22
171478**	Plate 1-15, 1-18	171762	Cable Assembly 1-26	171910	Button, Snap-On (Yellow) 1-22
171479**	Frame, Control Panel 1-15	171763	Cable Assembly 1-26	171911	Button, Snap-On (Green) 1-22
171480	Bracket, Cable 1-15 1-18	171764	Cable Assembly 1-26	171912	Button, Snap-On (Tan) 1-22
171481	Terminal Strip 1-13	171765	Cable Assembly 1-26	171915	Contact Pile-Up 1-22
171482**	Bracket 1-14	171766	Cable Assembly 1-26	171917	Cable Assembly 1-10
171484	Holder, Label 1-15, 1-18	171767	Cable Assembly 1-26	171918	Cable Assembly 1-10
171485	Holder, Label 1-15, 1-18	171768	Cable Assembly 1-26	171920	Plate 1-9
171487**	Bracket, Left 1-15	171769	Cable Assembly 1-26	171921	Spacer 1-9
171489**	Plate 1-14	171770	Cable Assembly 1-26	171922	Bracket 1-8
171522	Resistor 1-9	171771	Cable Assembly 1-26	171923**	Bracket 1-9
171523	Resistor 1-13	171772	Cable Assembly 1-26	171924**	Bracket 1-8
171545	Handle 1-7, 1-13, 1-19	171773	Cable Assembly 1-26	171925**	Bracket 1-9
171554	Connector 1-16	171774	Cable Assembly 1-26	171926**	Bracket, Mounting 1-9
171555	Connector (50 Contacts) 1-15, 1-18, 1-26	171775	Cable Assembly 1-26	171927**	Shield 1-8
171556	Connector (50 Contacts) 1-15, 1-18	171776	Cable Assembly 1-26	171928**	Shield, Relay 1-9
171557	Connector (50 Contacts) 1-15, 1-18	171777	Cable Assembly 1-26	171975**	Muffler 1-13
171558	Plug Assembly 1-16	171778	Cable Assembly 1-26	171976	Pad, Door 1-3
171568	Socket 1-13	171779	Cable Assembly 1-26	171977	Pad, Door 1-3
171569	Relay 1-13	171780	Cable Assembly 1-26	171978	Pad, Door 1-3
171574	Plug Assembly 1-22	171781	Cable Assembly 1-26	171979	Pad, Door 1-2
171575	Socket Assembly 1-26	171782	Cable Assembly 1-26	171980	Pad, Door 1-3
171577	Socket Assembly 1-26	171783	Cable Assembly 1-26	171981	Pad, Door 1-3
171610	Plate, I.D. 1-19	171784	Cord, Patch 1-16	171982	Pad, Door 1-3
		171785	Cord, Patch 1-16	171983	Pad, Door 1-3
		171786	Cord, Patch 1-16	171984	Pad, Cabinet Side 1-3
		171787	Cord, Patch 1-16	171985	Pad, Cabinet Side 1-3
		171798	Plate, Unit I.D. 1-13	171986	Pad, Center Cabinet 1-3
		171799	Plate, Unit I.D. 1-13	171987	Pad, Center Cabinet 1-3
		171803	Cable Assembly 1-26	171990	Pad, R-T Stand 1-3
		171804	Cable Assembly 1-26		
		171805	Cable Assembly 1-26		
		171806**	Bracket, Mounting 1-13		
		171816	Door, Upper 1-19		
		171817	Window 1-19		
		171818**	Clamp 1-19		
		171819**	Clamp 1-19		
		171820**	Plate, Mounting 1-4		

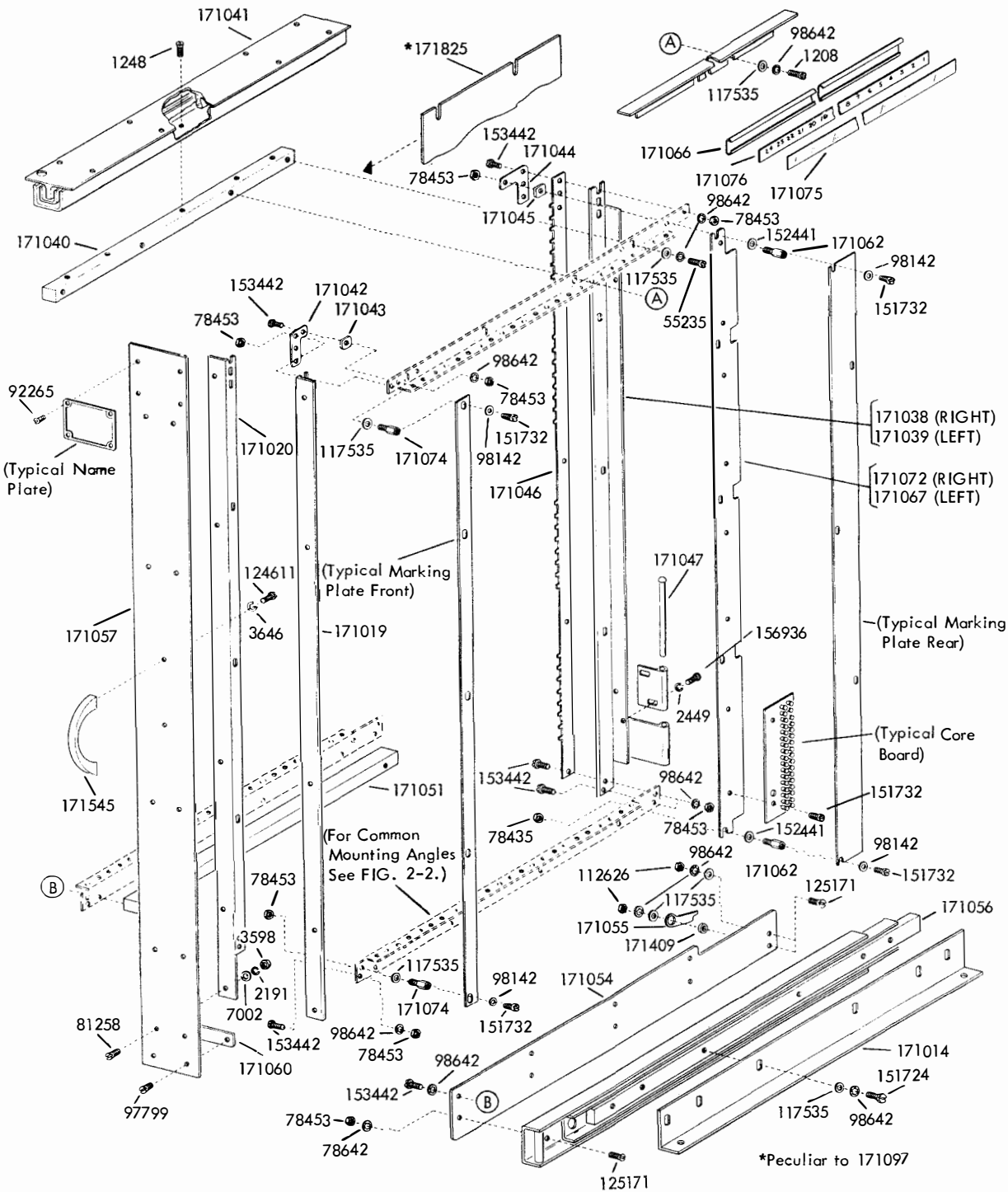
NUMERICAL INDEX - SECTION 1 (Continued)

Part Number	Description and Page Number	Part Number	Description and Page Number	Part Number	Description and Page Number
171991	Pad, Muffler 1-3	172160**	Bracket 1-8, 1-23	172200**	Slide, Mounting (R) 1-20
171992	Pad, Muffler 1-3	172161	Plate, Nut 1-22	172201**	Plate, Nut 1-20
171993	Pad, Muffler 1-3	172166**	Strip, Top-Left 1-4	172202	Strike 1-13
171994	Pad, Muffler 1-3	172167**	Strip, Top-Right 1-4	172207**	Shield Assembly 1-19
171995**	Clamp 1-13, 1-18	172168**	Sliding Tray Assembly 1-6	172210**	Plate, Base 1-19
171996	Pad, Muffler 1-3	172169**	Set of Parts 1-6	172211**	Bracket, Support 1-19
171997**	Clamp 1-13	172170**	Strip, Lower 1-4	172212**	Bracket 1-19
172001	Seal, Right Door 1-4	172172**	Strip, Filler 1-7	172213**	Front Cover Assembly 1-19
172003	Strip, Stiffener 1-4	172173**	Support, Angle (R) 1-7	172214**	Panel A 1-18
172004	Chain, Link 1-2	172174**	Support, Angle (L) 1-7	172215**	Panel B 1-18
172005	Magnet 1-8, 1-15	172175**	Bracket, Panel (R) 1-7	172216**	Panel C 1-18
172051	Set of Pads 1-3	172176**	Bracket, Panel (L) 1-7	172217**	Panel D 1-18
172052**	Divider, Cable 1-13	172177**	Bracket 1-10	172218**	Frame, Panel 1-18
172053**	Divider, Cable 1-13	172178**	Panel Assembly, Front 1-7	172219**	Bracket, Left 1-18
172054**	Bracket, Guard 1-13	172179**	Panel Assembly, Front 1-7	172220**	Bracket, Right 1-18
172055**	Plate, Cover 1-13	172180**	Panel Assembly, Front 1-7	172223	Stud 1-6
172056	Strip, Stiffener 1-4	172182**	Bracket, Mounting 1-7	172224	Plate, Adapter 1-6
172057	Strip, Stiffener 1-4	172183	Bracket, Guide 1-7	172225	Plate Assembly, Mounting 1-6
172058	Seal, Upper-Door 1-4	172184**	Panel Assembly, Blank 1-7	172228	Bracket, Magnet 1-8
172059	Seal, Lower-Door 1-4	172185	Stud 1-7	172230	Strip, Foam 1-7
172083	Plate, Mounting 1-16	172186	Shaft 1-7	172231	Strip, Foam 1-7
172084	Plate 1-20	172187	Bracket, Strike 1-6	172232	Strip, Foam 1-7
172099	Plate, I. D. 1-19	172188	Window 1-7	172233	Strip, Foam 1-7
172141**	Strip, Mounting (L) 1-22	172191**	Bracket, Magnet 1-4	172234	Strip, Foam 1-7
172142**	Strip, Mounting (R) 1-22	172192	Screw, Sheet Metal 1-4, 1-13, 1-15	172235	Strip, Foam 1-7
172143**	Cover W/Studs 1-22	172193**	Bracket 1-14	172236	Post 1-9
172147**	Panel, Counter 1-22	152194**	Bracket, Magnet 1-4 1-15	172237	Panel, Vibration Damping 1-6
172148**	Control Panel Assembly 1-22	172195**	Bracket, Slide (L) 1-20	172238	Pad 1-6
172149**	Frame, Switch mounting 1-22	172196**	Bracket, Slide (R) 1-20	172240	Line Sensing Assembly 1-9
172150**	Strip, Mounting (L) 1-22	172197**	Plate, Mounting (R) 1-20	172241	Line Sensing Cable 1-9
172151**	Strip, Mounting (R) 1-22	172198**	Plate, Mounting (L) 1-20	172242	Plate, Mounting 1-9
172152**	Panel, Blank 1-22	172199**	Mounting, Slide 1-20	172244	Plate, I. D. 1-10
172153	Bracket, Left 1-22			172245	Plate, I. D. 1-10
172154	Bracket, Right 1-22			172250	Shield, Light 1-10
172155	Holder, Card 1-22			172271**	Doc. Lower 1-19
172156**	Bracket, Terminal 1-23			172272	Window 1-19
172157**	Bracket, Mounting 1-23			172273**	Bin, Tape 1-19
172158	Shield, Resistor 1-23			172298	Shell 1-16
172159	Insulator 1-2, 1-8, 1-9, 1-23			172299	Shell 1-16



1179B

SECTION 2
DRAWER ASSEMBLIES



EXACT LOCATIONS FOR TYPICAL CALLOUTS CAN BE FOUND ON FIGURE 2-4.

FIGURE 2-1 COMMON DRAWER PARTS

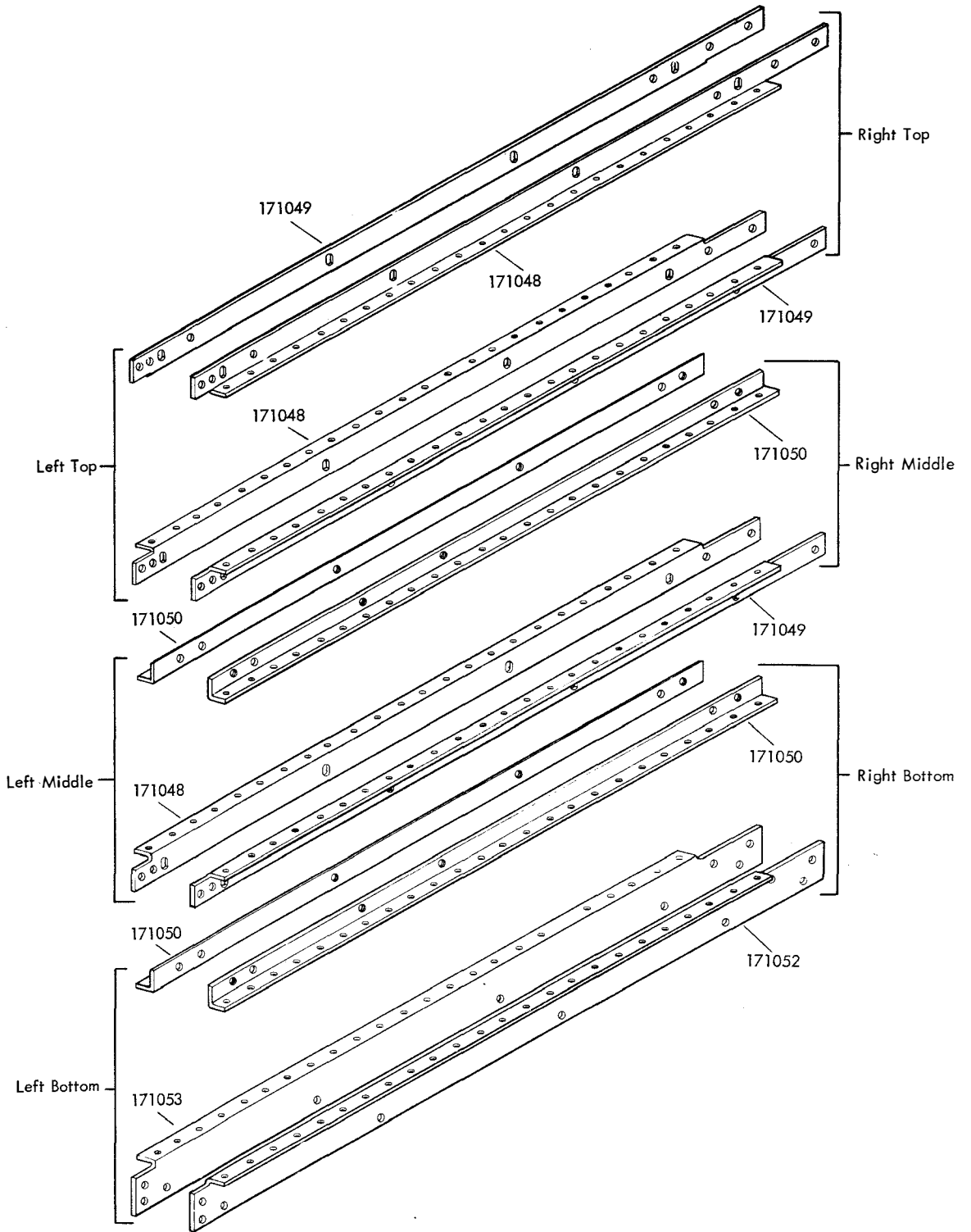


FIGURE 2-2. COMMON MOUNTING ANGLES
(Front View)

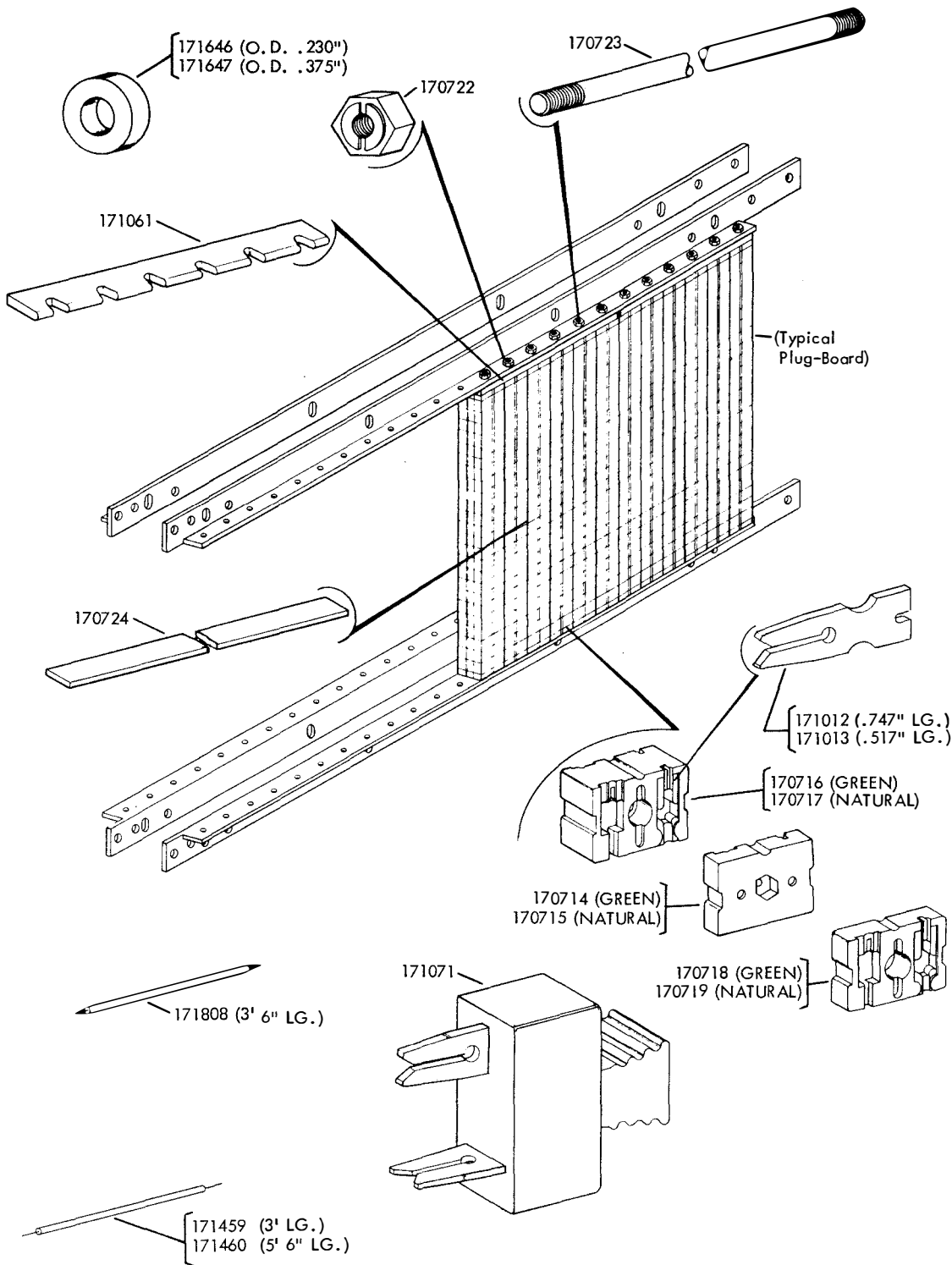
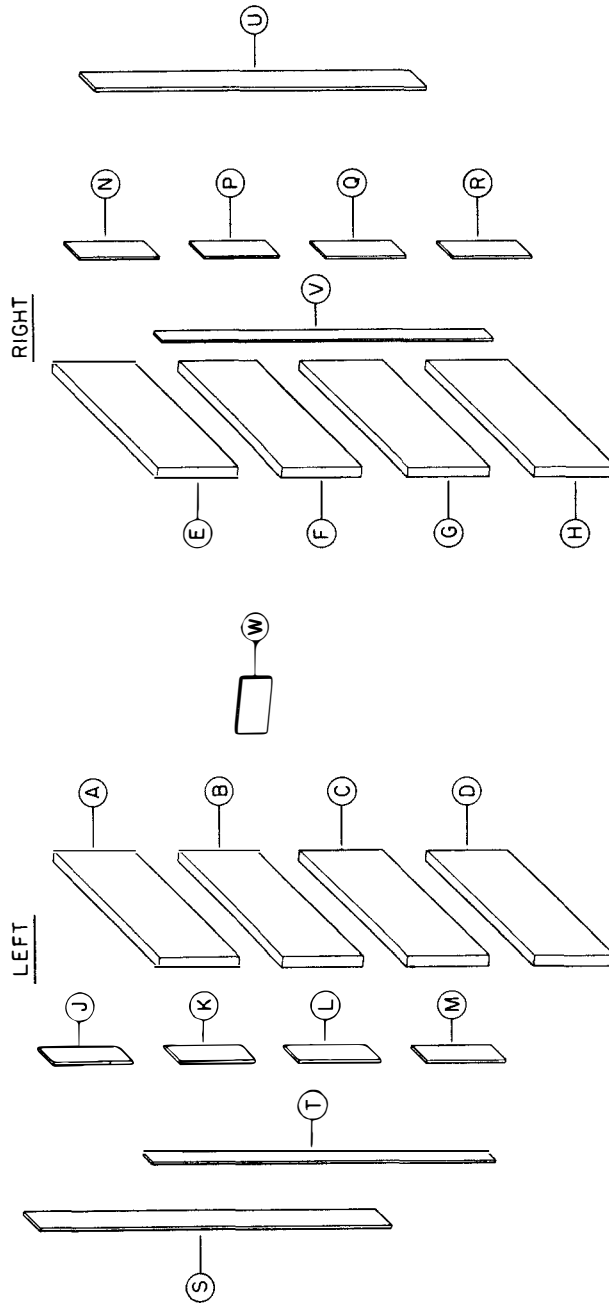


FIGURE 2-3 TYPICAL PLUGBOARD AND MAINTENANCE PARTS



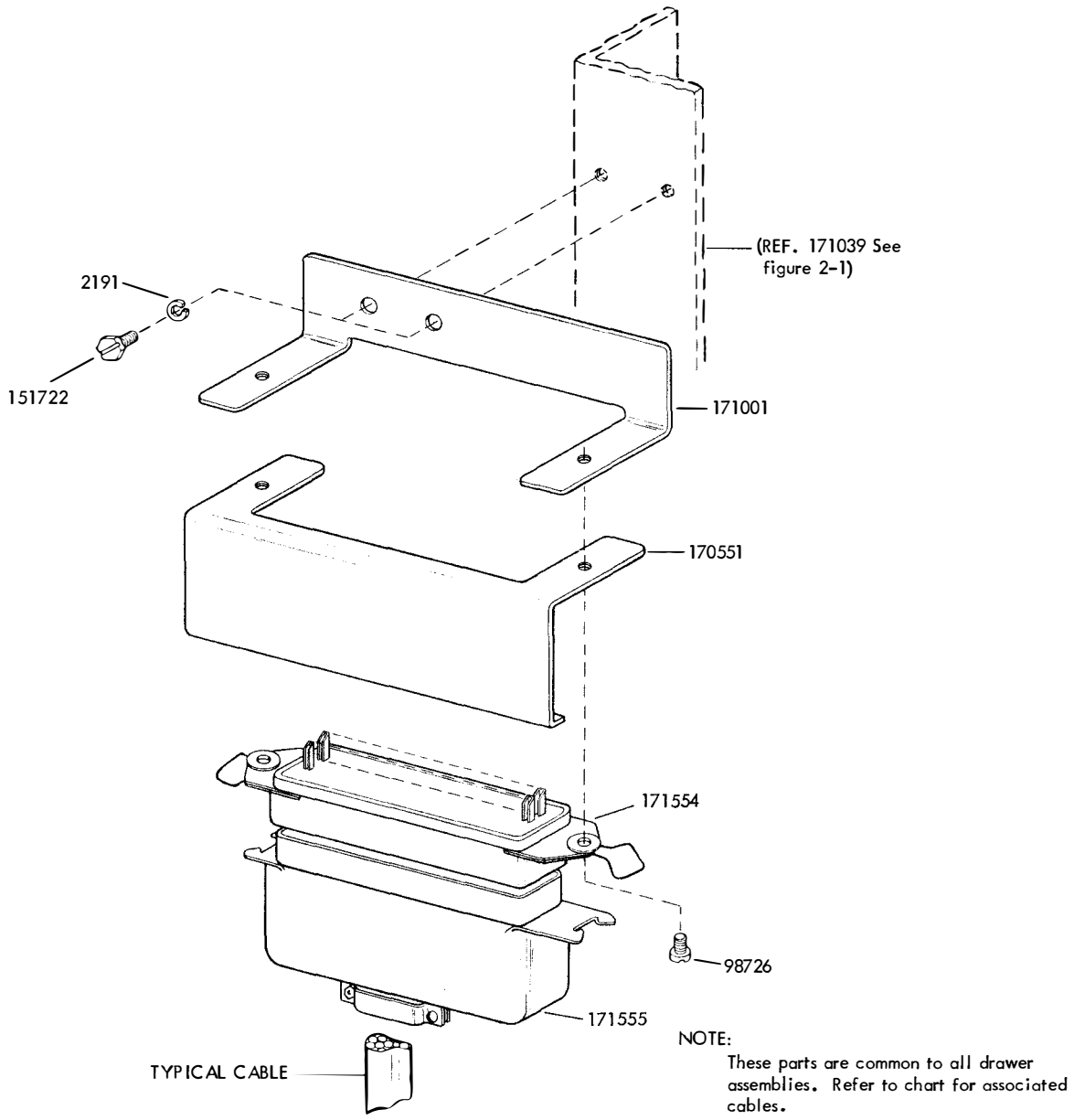
AC282

DRAWER NO	PLUG BOARDS								CORE BOARDS								MARKING PLATES								ID
	A	B	C	D	E	F	G	H	J	K	L	M	N	P	Q	R	S	T	U	V	W				
171032				171065		171392		171393	171344	171345	171346	171347	171348	171349	171350	171351	171320	171332	171321	171333	171077				
171033									171352	171353	171354	171355	171356	171357	171358	171359	171322	171334	171323	171335	171078				
171034									171360	171361	171362	171363	171364	171365	171366	171367	171324	171336	171325	171337	171079				
171035							171398		171368	171369	171370	171371	171372	171373	171374	171375	171326	171338	171327	171339	171080				
171036									171376	171377	171378	171379	171388	171389	171390	171391	171328	171340	171329	171341	171081				
171037									171384	171385	171386	171387	171380	171381	171382	171383	171330	171342	171330	171342	171082				

AC286

171093									171344	171345	171346	171347	171348	171349	171350	171351	171320	171332	171321	171333	171083
171094								171401	171352	171353	171354	171355	171356	171357	171358	171359	171322	171334	171323	171335	171084
171095								171400	171360	171361	171362	171363	171364	171365	171366	171367	171324	171336	171325	171337	171085
171096	171396	171397	171397						171368	171369	171370	171371	171372	171373	171374	171375	171326	171338	171327	171339	171086
171097									171376	171377	171378	171379					171328	171340			171087
171098									171384	171385	171386	171387	171380	171381	171382	171383	171330	171342	171330	171342	171088

FIGURE 2-4. CHART SHOWING PLUG-BOARD, CORE-BOARD AND MARKING PLATE POSITIONS



	DRAWER	CABLE	CABLE
AC282	171032	171028	171029
	171033	171028	171029
	171034	171028	171029
	171035	171028	171029
	171036	171028	171029
	171037	171028	171029

	DRAWER	CABLE	CABLE
AC286	171093	171028	171069
	171094	171028	171069
	171095	171028	171069
	171096	171028	171069
	171097	171028	171030
	171098	171028	171069

FIGURE 2-5. CABLE CHART

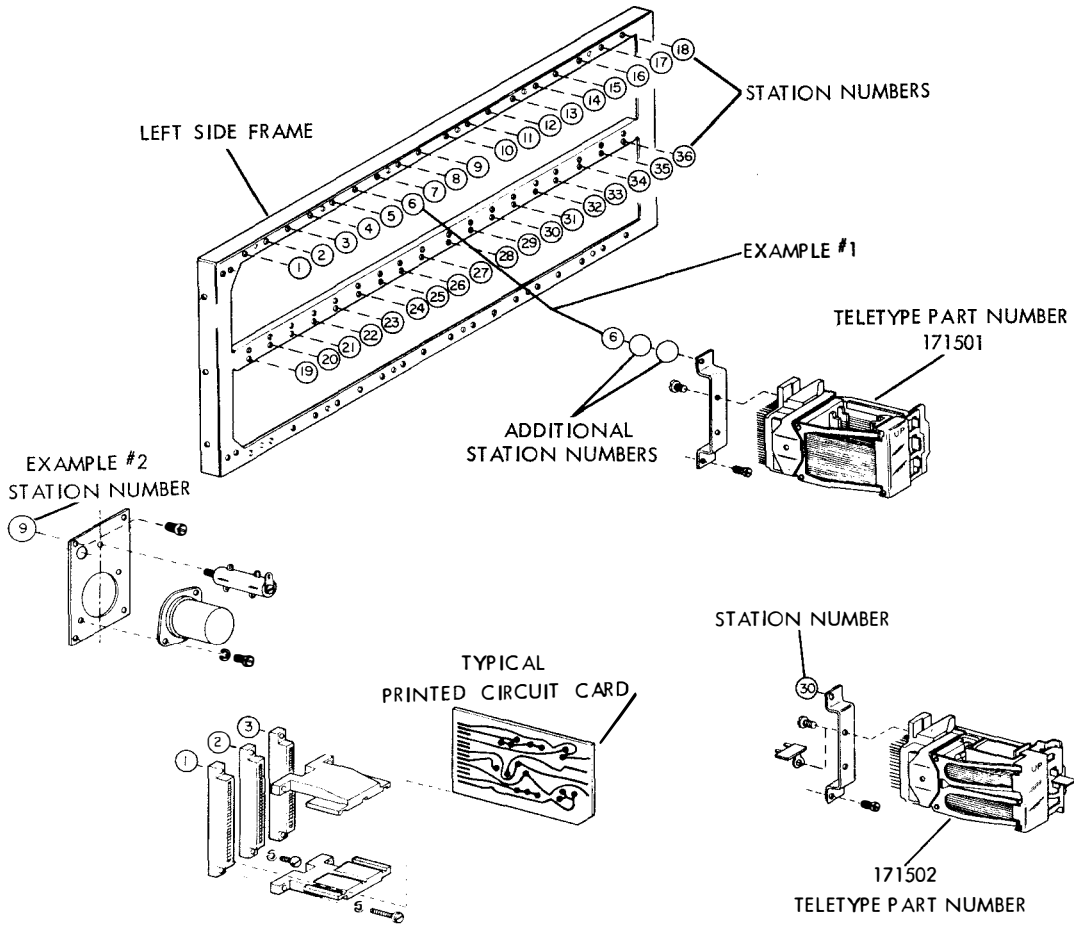
NUMERICAL INDEX - SECTION 2

Part Number	Description and Page Number	Part Number	Description and Page Number	Part Number	Description and Page Number
1208	Screw (10-32 x 5/8 Fil) 2-2	171028	Cable Assem. 2-7	171320	
1248	Screw (6-40 x 1/2 Flat) 2-2	171029	Cable Assem. 2-7	thru	Plate, Marking 2-5
2191	Washer, Lock 2-2, 2-5	171030	Cable Assem. 2-7	171330	
2449	Washer, Lock 2-2	171031	Plug Board Assembly 2-5	171332	
3598	Nut (6-40) 2-2	171032	Drawer Assembly 2-5	thru	Plate, Marking 2-5
3646	Washer, Lock 2-2	171033	Drawer Assembly 2-5	171342	
7002	Washer, Flat 2-2	171034	Drawer Assembly 2-5	171344	
55235	Screw (10-32 x 1/2 Fil) 2-2	171035	Drawer Assembly 2-5	thru	Core Board Assembly 2-5
78453	Nut (10-32) 2-2	171036	Drawer Assembly 2-5	171391	
81258	Screw (6-40 x 5/8 Flat) 2-2	171037	Drawer Assembly 2-5	171392	Plug Board Assembly 2-5
92265	Screw (2-56 x 1/8 Rd) 2-2	171038	Angle, Rear (R) 2-2	171393	Plug Board Assembly 2-5
97799	Screw (6-40 x 9/64 Hex.) 2-2	171039	Angle, Rear (L) 2-2	171396	Plug Board Assembly 2-5
98142	Washer, Flat 2-2	171040	Bar, Spacer-Top 2-2	171397	Plug Board Assembly 2-5
98642	Washer, Lock 2-2	171041	Slide, Top 2-2	171398	Plug Board Assembly 2-5
98726	Screw (3-48 x 1/4 Fil) 2-7	171042	Gusset, Front 2-2	171399	Plug Board Assembly 2-5
112626	Nut (10-32) 2-2	171043	Spacer, Front 2-2	171400	Plug Board Assembly 2-5
117535	Washer, Flat 2-2	171044	Gusset, Rear 2-2	171401	Plug Board Assembly 2-5
124611	Screw (8-32 x 3/8 Hex.) 2-2	171045	Spacer, Rear 2-2	171409	Bushing 2-2
125171	Screw (10-32 x 1/2 Flat) 2-2	171046	Plate, Terminal 2-2	171415	Angle, I.D. Strip Mtg. 2-2
151722	Screw (6-40 x 3/16 Hex) 2-7	171047	Hinge Assembly 2-2	171459	Wire 2-4
151724	Screw (10-32 x 5/8 Hex) 2-2	171048	Angle, Mtg. (R) Top 2-3	171460	Wire 2-4
151732	Screw (4-40 x 11/32 Fil) 2-2	171049	Angle, Mtg. (L) Top 2-3	171545	Handle 2-2
152441	Washer, Flat 2-2	171050	Angle, Mtg. 2-3	171554	Connector 2-7
153442	Screw (10-32 x 1/2 Hex) 2-2	171051	Bar, Spacer-Bottom 2-2	171555	Connector 2-7
156936	Screw (1/4-32 x 5/16 Hex) 2-2	171052	Angle, Mtg. (R) Bottom 2-3	171646	Core 2-4
170551	Bracket 2-7	171053	Angle, Mtg. (L) Bottom 2-3	171647	Core 2-4
170712	Contact 2-4	171054	Plate, Mtg. Slide 2-2	171808	Wire 2-4
170713	Contact 2-4	171055	Catch 2-2	171825	Board, Cover 2-2
170714	Section, End (Male) 2-4	171056	Slide, Bottom 2-2		
170715	Section, End (Male) 2-4	171057	Plate, Front 2-2		
170716	Section, Center 2-4	171059	Plate, Striker 2-2		
170717	Section, Center 2-4	171060	Spacer 2-4		
170718	Section, End (Female) 2-4	171061	Stud, Rear 2-2		
170719	Section, End (Female) 2-4	171062	Plug Board Assembly 2-5		
170722	Nut, Hex Slotted 2-4	171063	Plug Board Assembly 2-5		
170723	Stud 2-4	171064	Plug Board Assembly 2-5		
170724	Bar 2-4	171065	Strip, ID Assem. 2-2		
171001	Bracket, Connector 2-7	171066	Plate W/Nuts (L) 2-2		
171014**	Angle, Cross Frame 2-2	171067	Cable Assem. 2-7		
171019	Angle, Front (R) 2-2	171069	Plug, Diode 2-4		
171020	Angle, Front (L) 2-2	171072	Plate W/Nuts (R) 2-2		
		171074	Stud, Front 2-2		
		171075	Cover, Transparent 2-2		
		171076	Strip, I.D. 2-2		
		171077	Name Plate, Drawer thru		
		171088	I.D. 2-5		
		171093	Drawer Assembly 2-5		
		171094	Drawer Assembly 2-5		
		171095	Drawer Assembly 2-5		
		171096	Drawer Assembly 2-5		
		171097	Drawer Assembly 2-5		
		171098	Drawer Assembly 2-5		



1179B

SECTION 3
MODULES



EXAMPLE #1												EXAMPLE #2					
IDENTIFICATION STRIP																	
SLOT NUMBERS																	
1	2	3	4	5	6	7	8	9	10	11	12	13	14	15	16	17	18
Z 5201	Z 5202	Z 5203			K 5205				T 85210								
171490	171490	171490							C 5206								
19	20	21	22	23	24	25	26	27	28	29	30	31	32	33	34	35	36
											K 5203						
											T 85204						
TELETYPE PART NUMBER					DESIGNATOR												

-LOCATING AND IDENTIFYING MODULE COMPONENTS-

To aid in locating each component in a module, station numbers have been assigned to the 36 holes in the left side frame.

The 36 holes in the left side frame correspond to the slot numbers on the identification strip. Each component has a designator number appearing on the identification strip. The slot number above the designator indicates into which station the component is mounted.

Find the station number opposite a component and a number that corresponds to the slot number. This will indicate the Teletype number. Slot number 6 is given as example number 1.

When designator numbers on the identification strip appears below slot numbers not having a corresponding station number opposite a component, use the slot and station number to the left of the designator number in question. Slot number 10 is given as example number 2.

When a component is used more than once in a module all station numbers are indicated.

The Teletype part number for a printed circuit cord may be found below its designator on the illustrated identification strip.

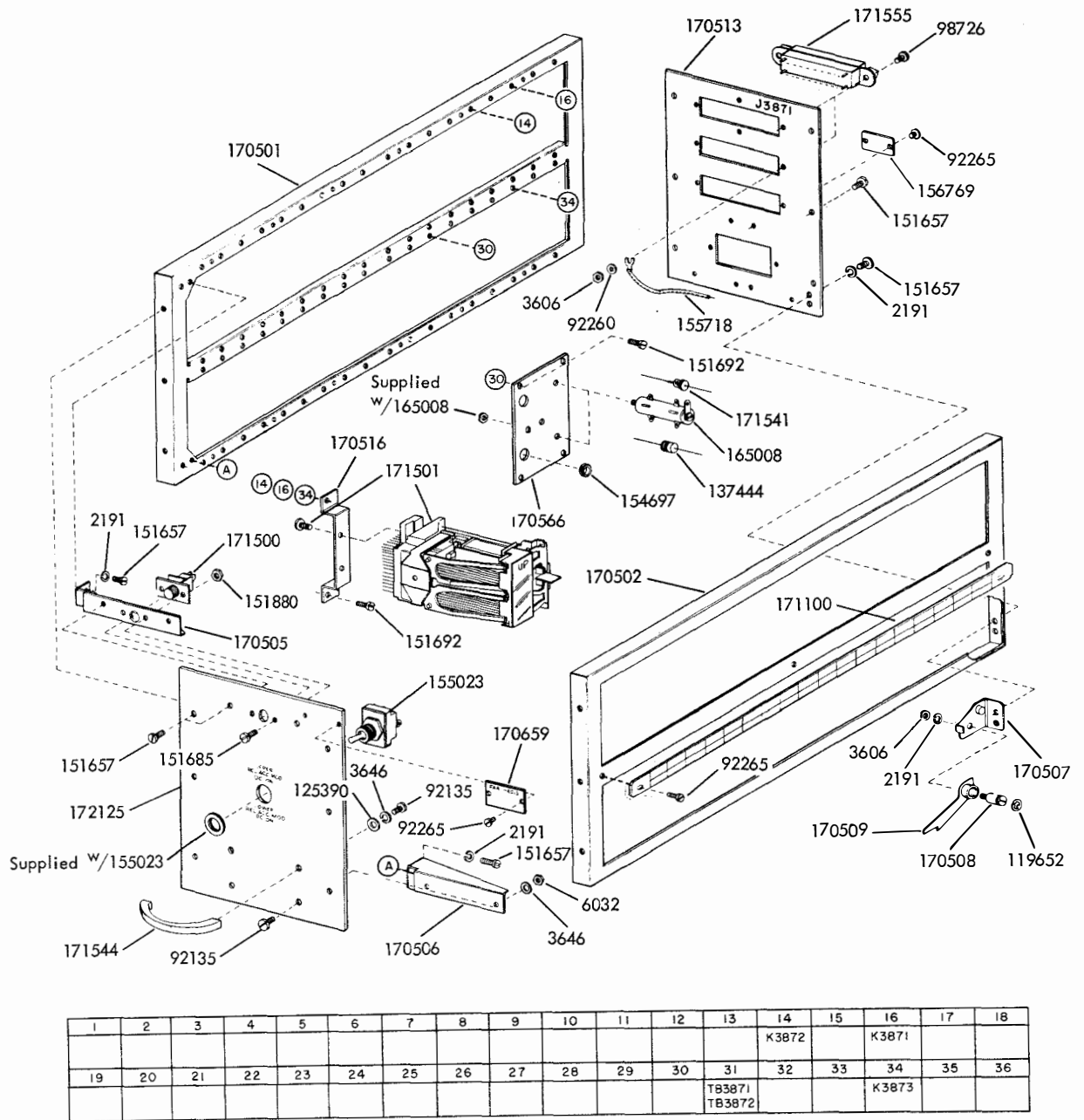
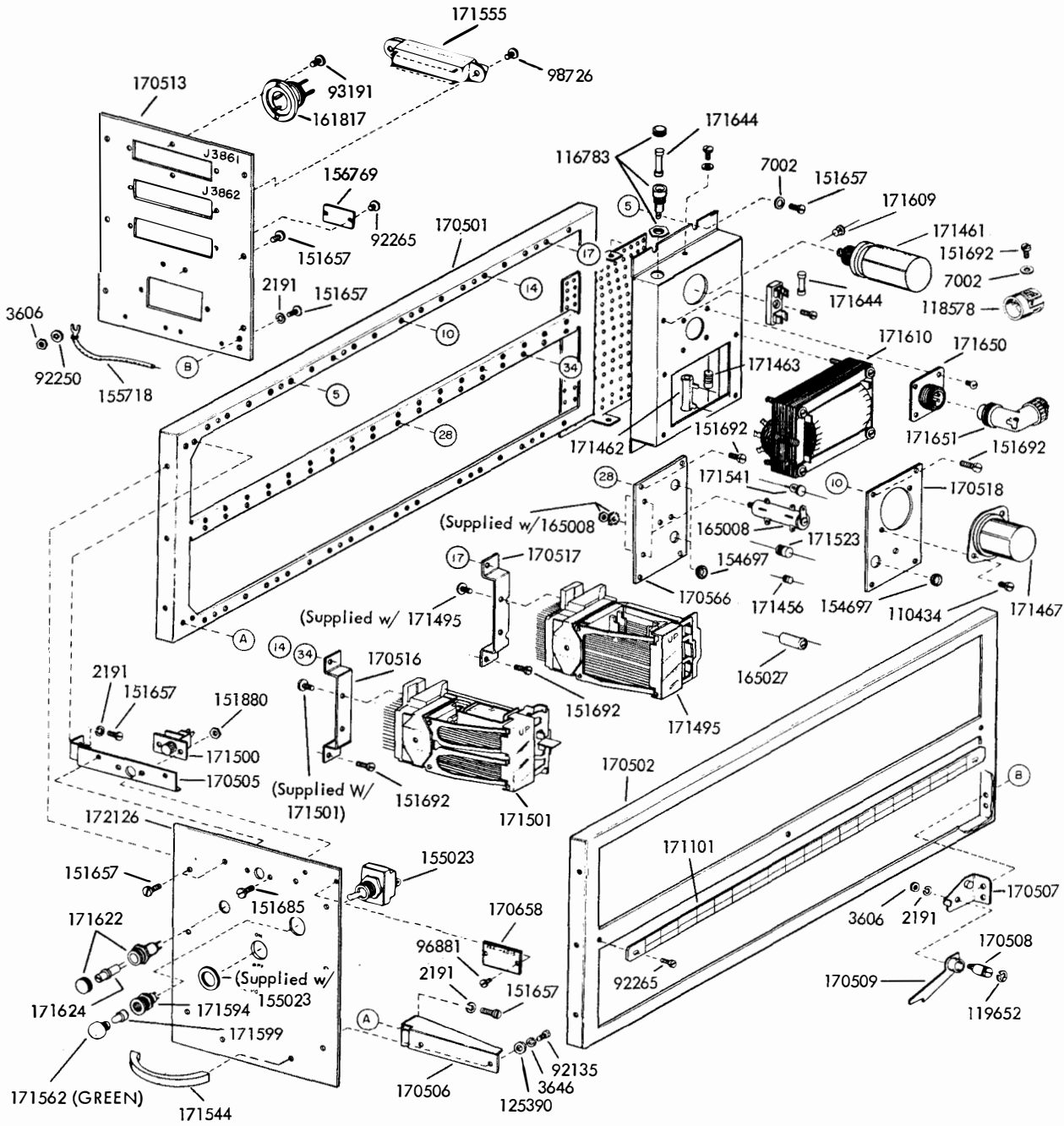


FIGURE 3-1 170567 S/R CENTER SIGNAL LINE INTERLOCK (S/R C. LSSL)



1	2	3	4	5	6	7	8	9	10	11	12	13	14	15	16	17	18
			P3864 Z3861							C3861			K3863				K3861
19	20	21	22	23	24	25	26	27	28	29	30	31	32	33	34	35	36
									T83862 T83861		T83863				K3862		

FIGURE 3-2 170568 S/R CENTER RELAY ACCESSORIES (S/R C. RAM)

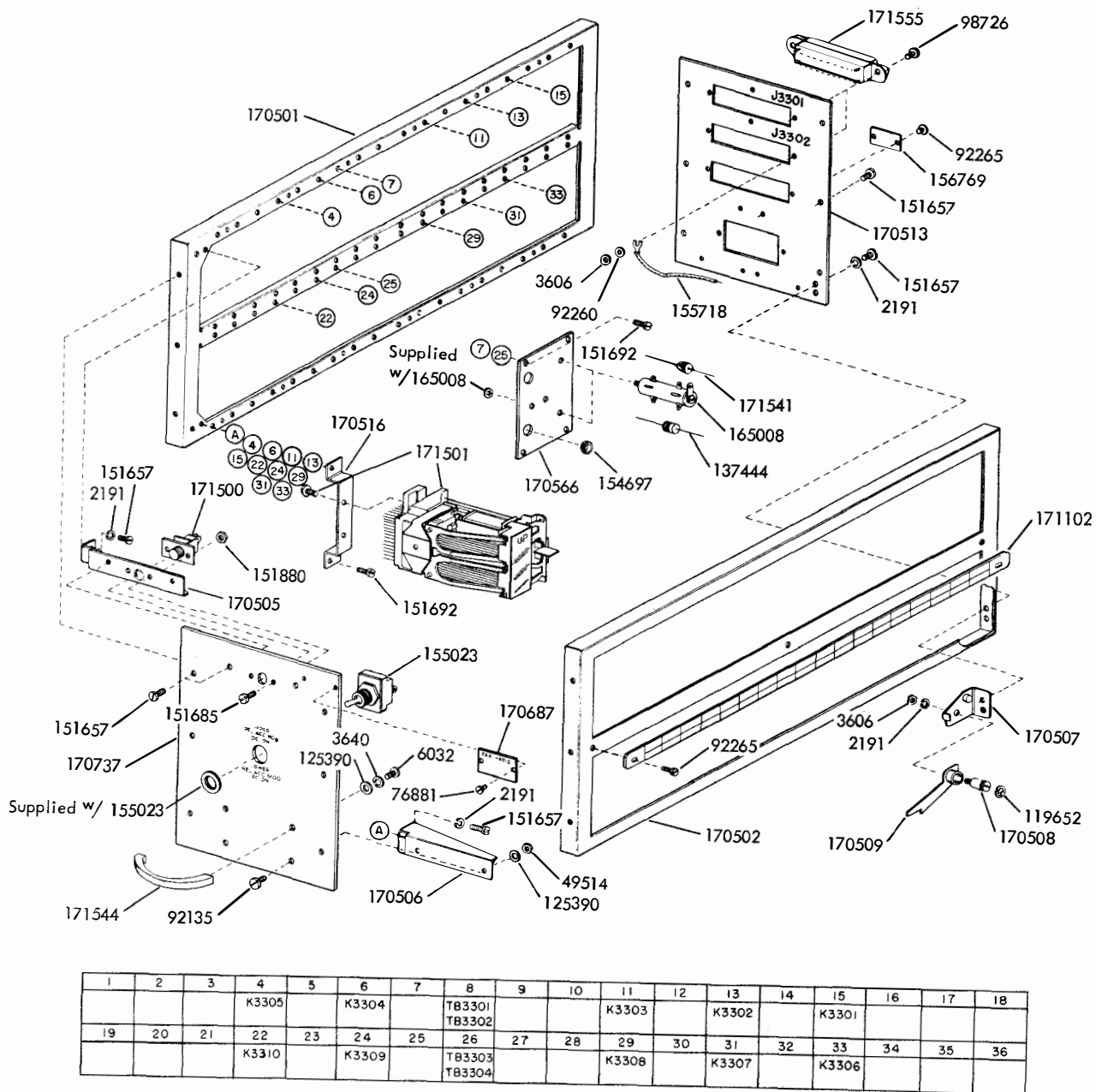


FIGURE 3-3 170569 LOW-SPEED SIGNAL LINE INTERLOCK - 1 (LSSL1-1)

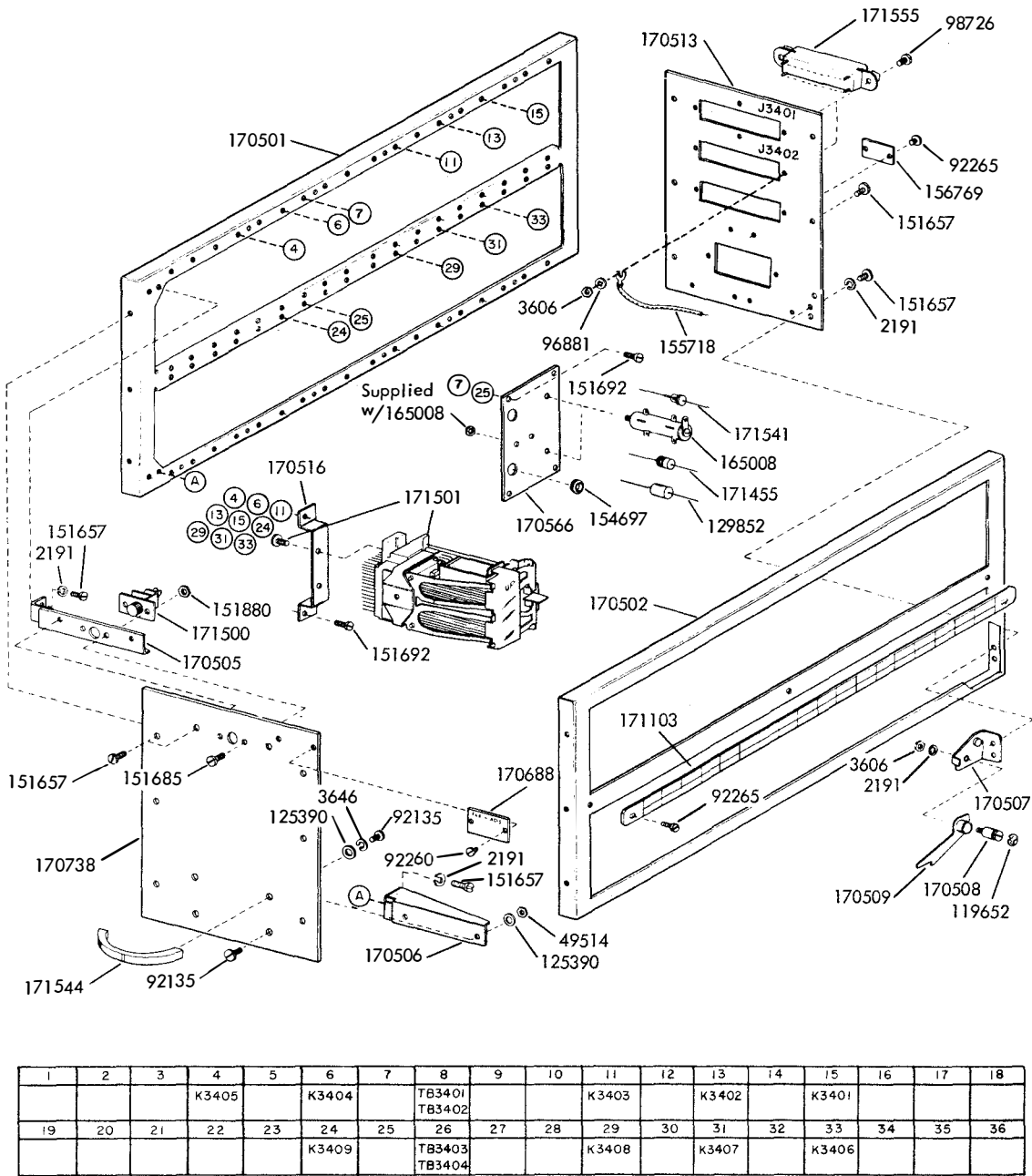
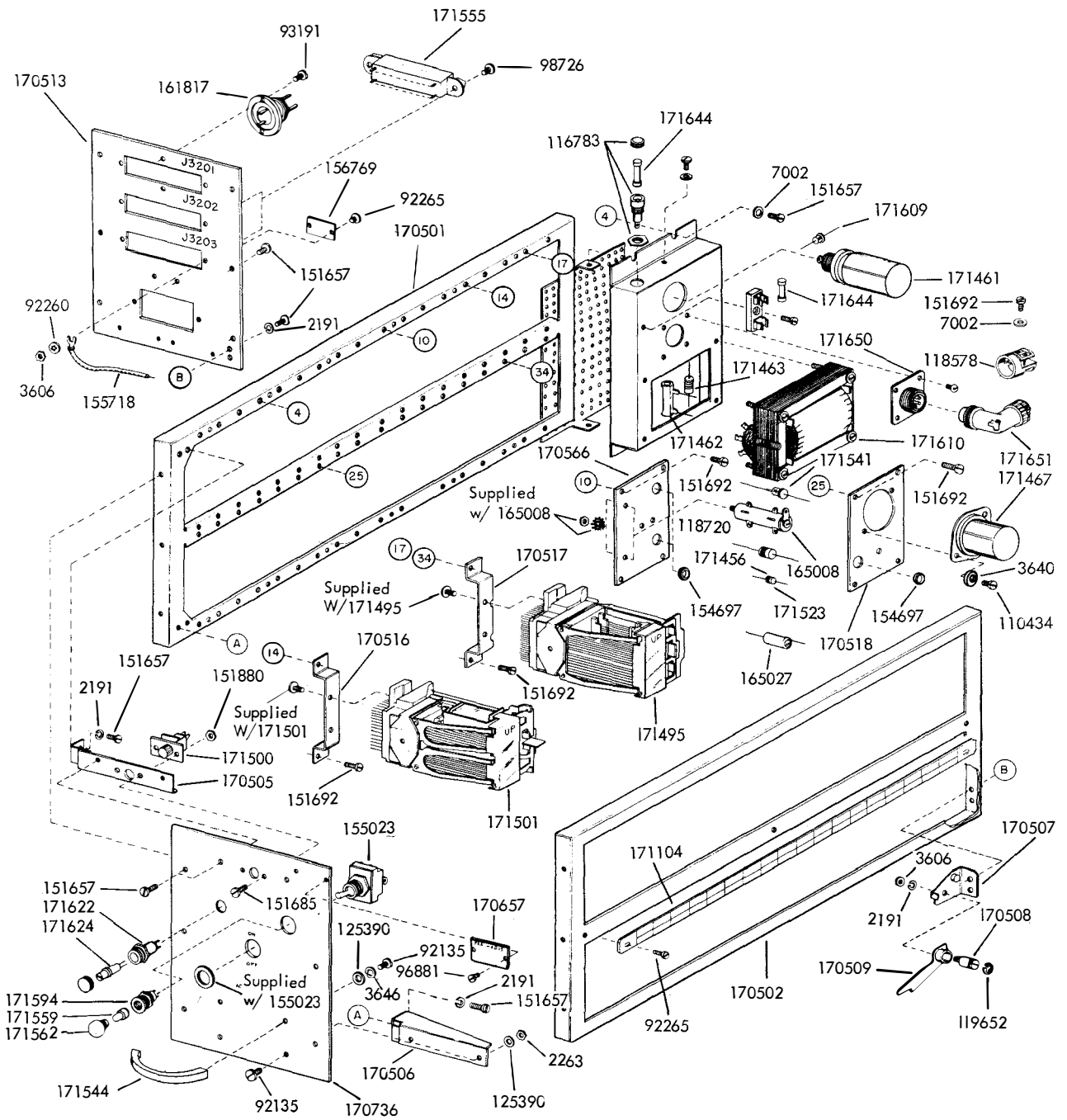
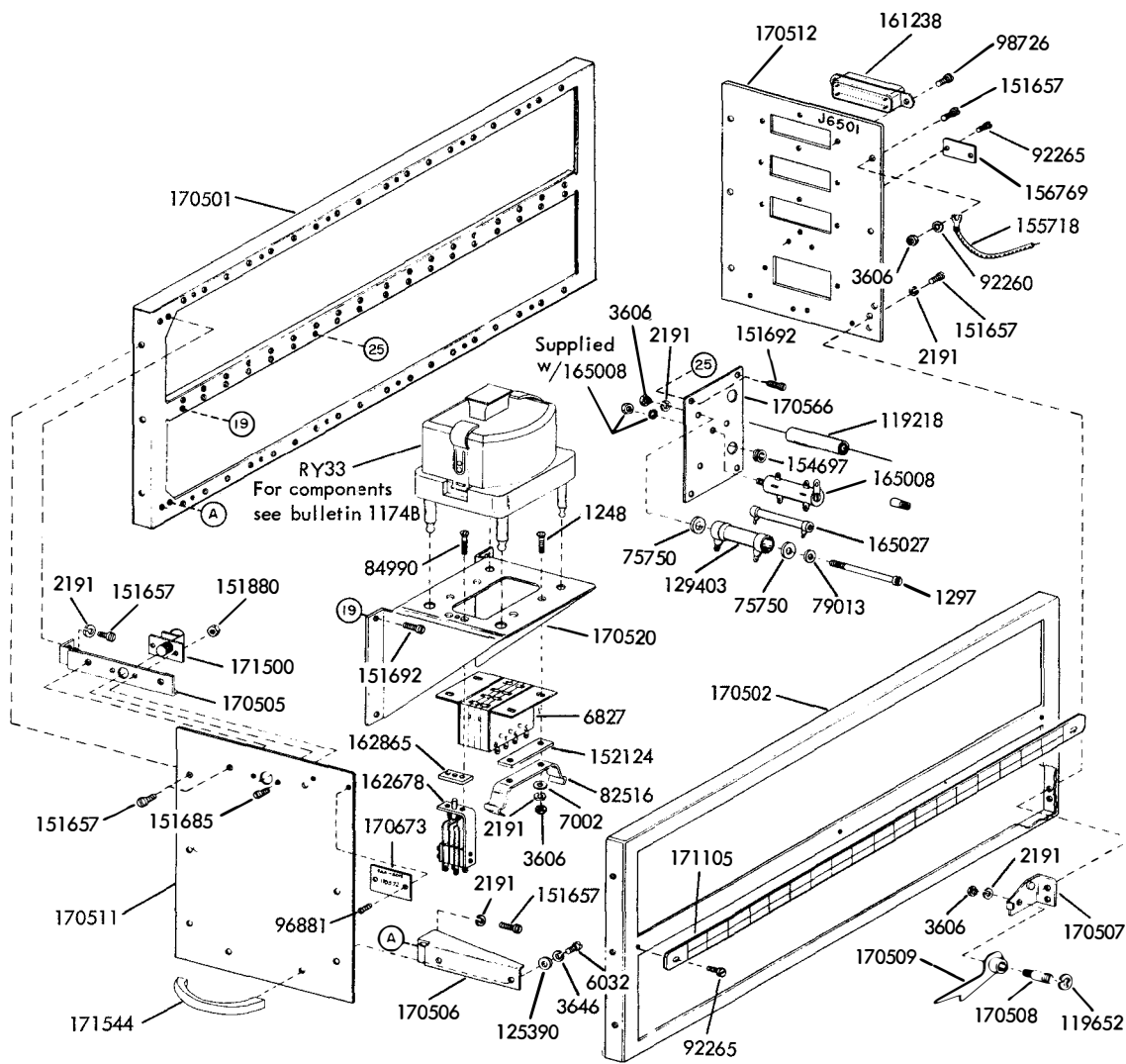


FIGURE 3-4 170570 LOW-SPEED SIGNAL LINE INTERLOCK - 2 (LSSL1-2)



1	2	3	4	5	6	7	8	9	10	11	12	13	14	15	16	17	18
			P3201 Z3201							TB3201 TB3202	TB3208		K3202			K3201	
19	20	21	22	23	24	25	26	27	28	29	30	31	32	33	34	35	36
							C3201								K3203		

FIGURE 3-5 170571 RELAY ACCESSORIES (RAM)



1	2	3	4	5	6	7	8	9	10	11	12	13	14	15	16	17	18
		RY-33 K6501															
19	20	21	22	23	24	25	26	27	28	29	30	31	32	33	34	35	36
							TB6501										

FIGURE 3-6 170572 LINE RELAY (LRD)

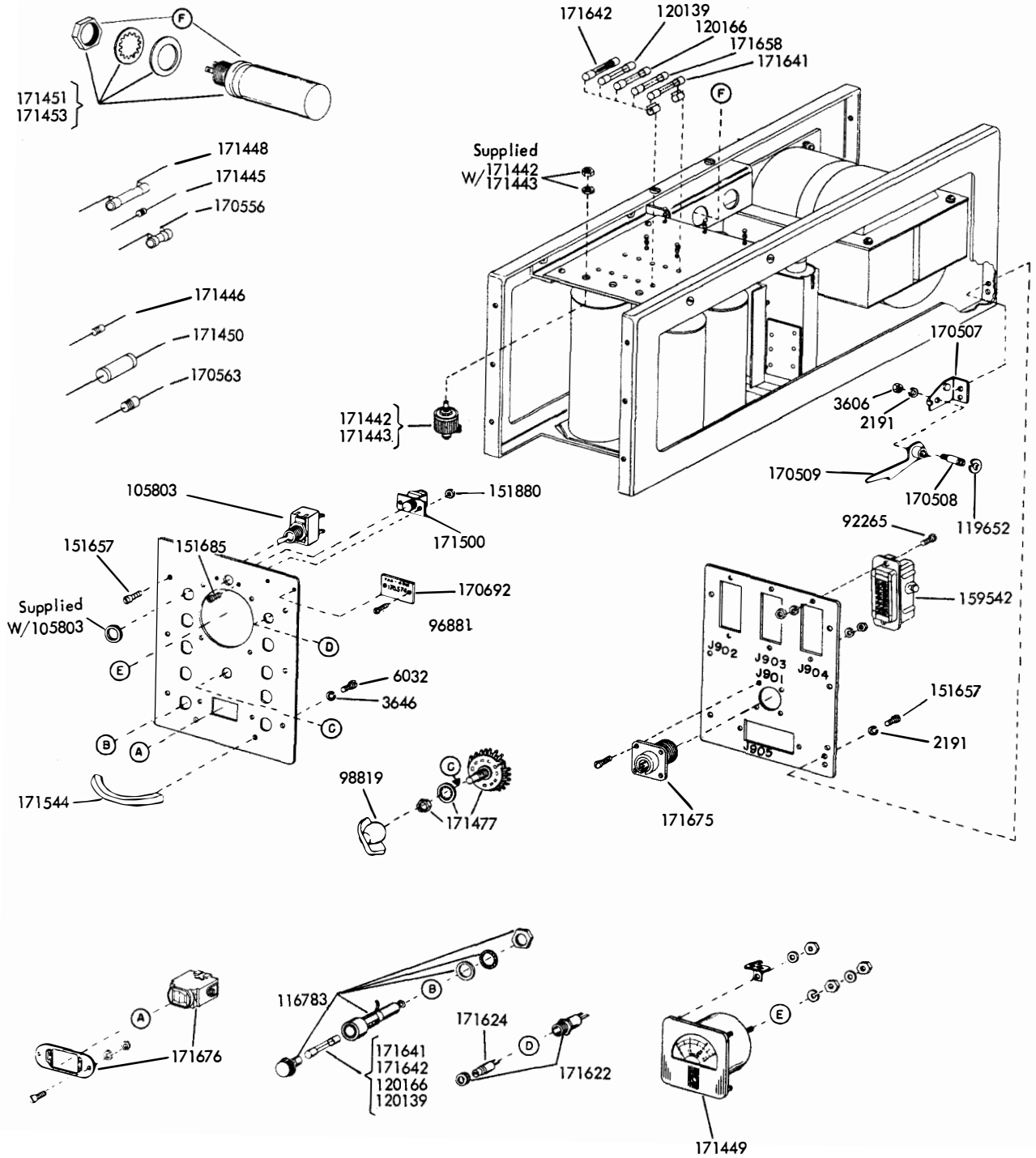
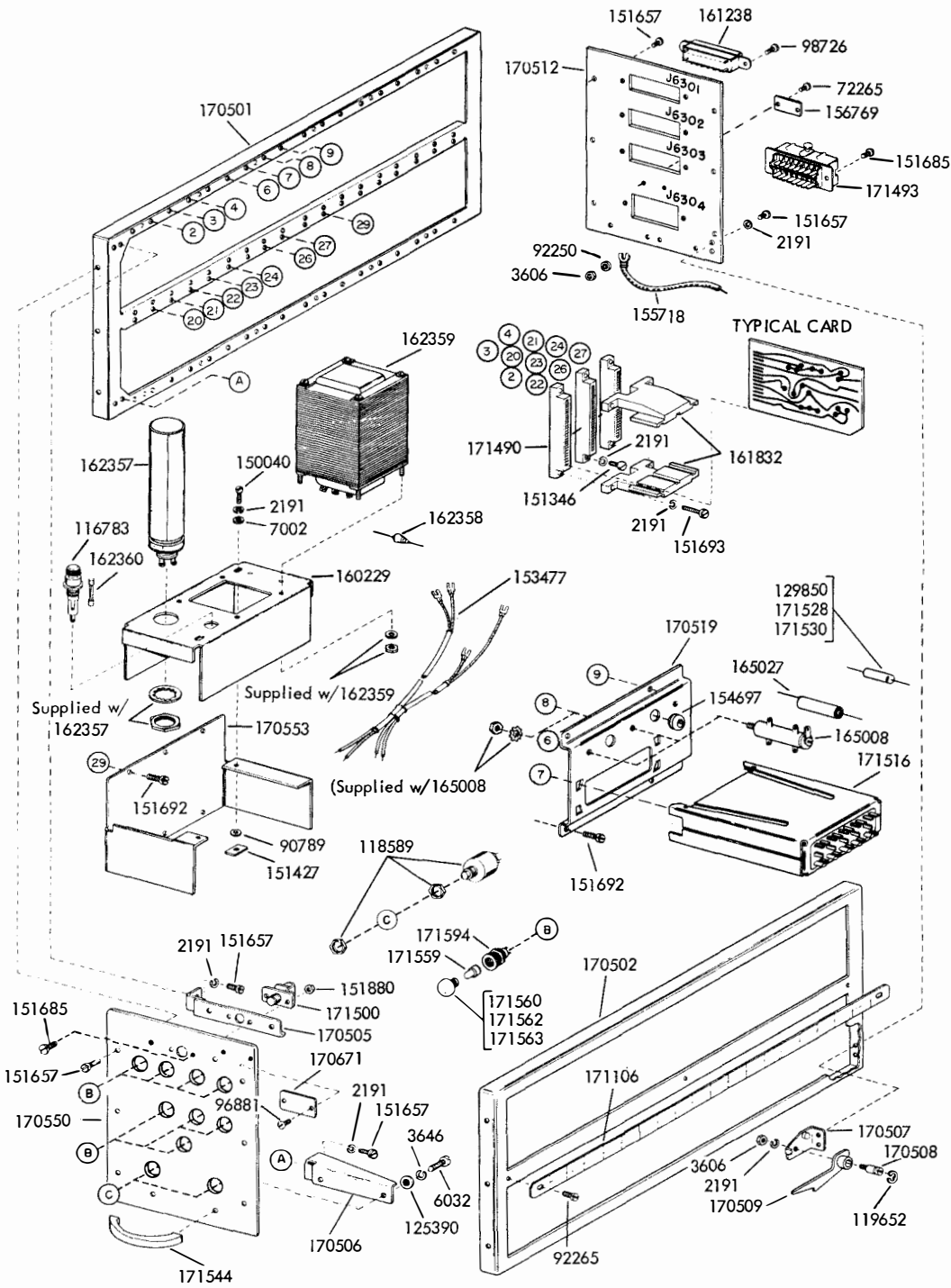
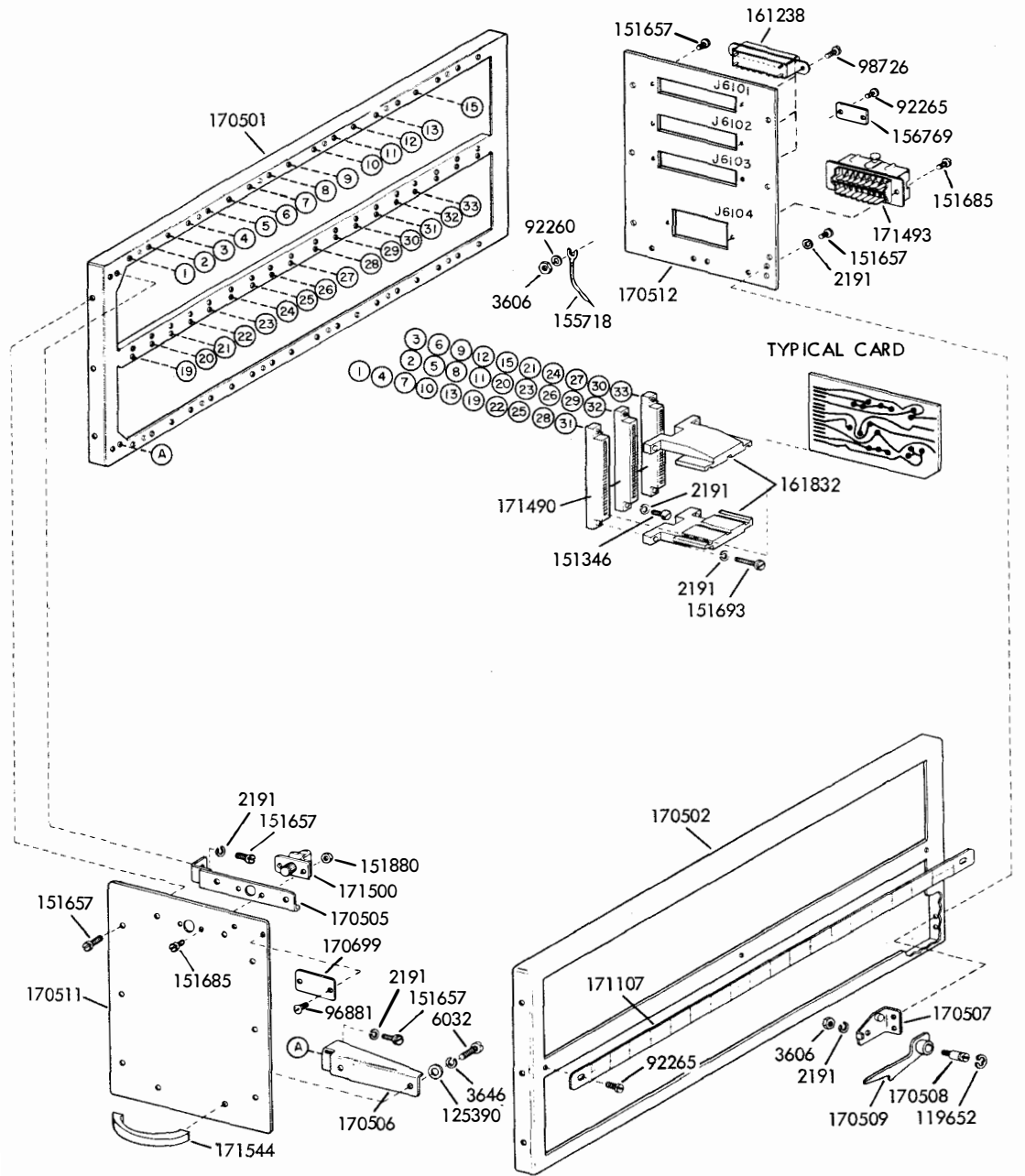


FIGURE 3-7 170574 MULTI-VOLTAGE RECTIFIER (L.V.)



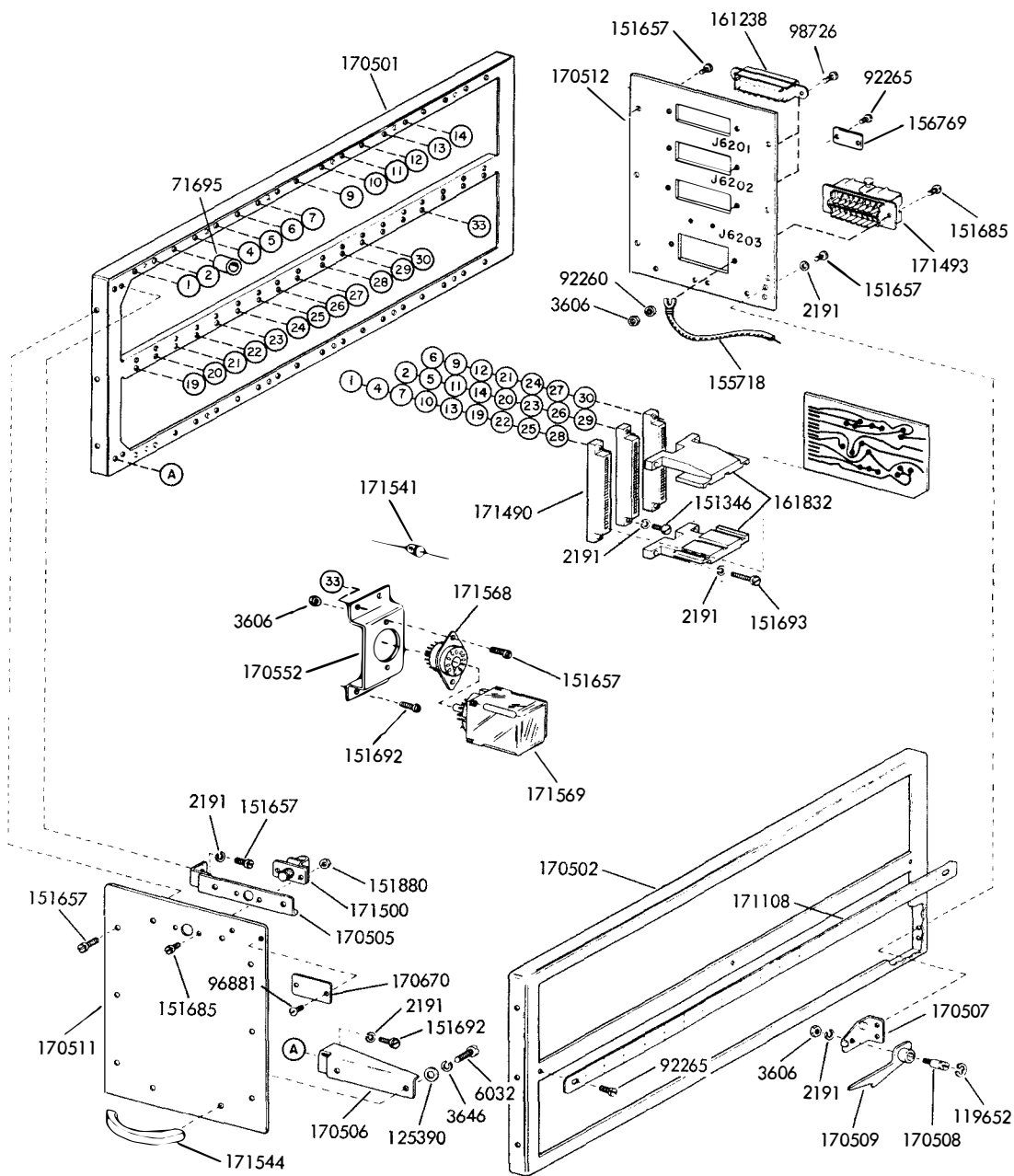
1	2	3	4	5	6	7	8	9	10	11	12	13	14	15	16	17	18
	Z6302 172462	Z6303 172462	Z6304 172462		TB6301	293C K6301	TB6302										
19	20	21	22	23	24	25	26	27	28	29	30	31	32	33	34	35	36
	Z6318 172359	Z6319 172359	Z6320 172359	Z6321 172400	Z6322 172419		Z6324 172449	Z6325 172449			Z6326						

FIGURE 3-8 170575 END OF MESSAGE AND ACCESSORIES (EOMA)



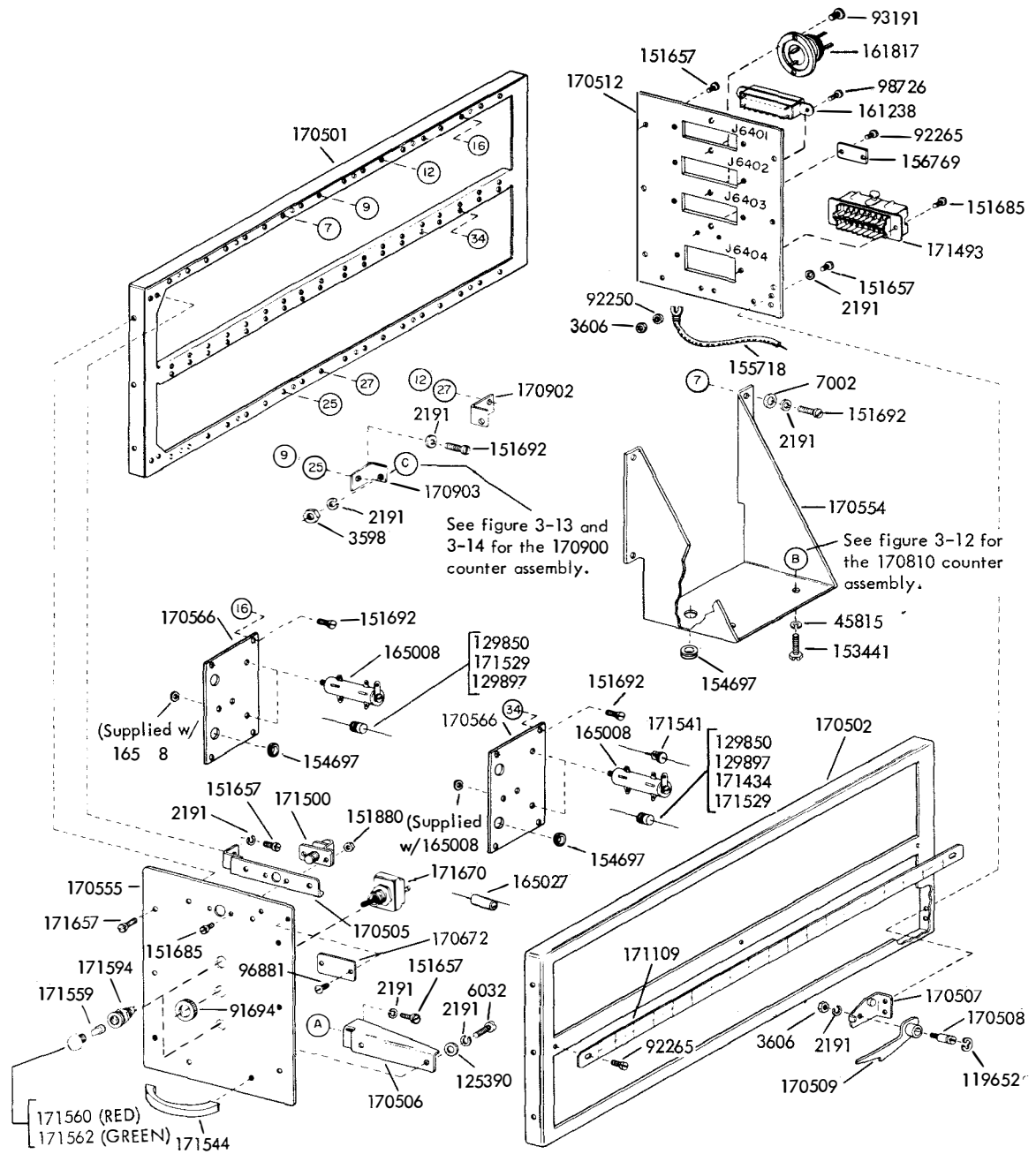
1	2	3	4	5	6	7	8	9	10	11	12	13	14	15	16	17	18
Z6101 172359	Z6102 172359	Z6103 172359	Z6104 172359	Z6105 172359	Z6106 172359	Z6107 172359	Z6108 172439	Z6109 172419	Z6110 172359	Z6111 172359	Z6112 172359	Z6113 172439		Z6115 172449			
19	20	21	22	23	24	25	26	27	28	29	30	31	32	33	34	35	36
Z6117 172419	Z6118 172419	Z6119 172419	Z6120 172370	Z6121 172419	Z6122 172419	Z6123 172419	Z6124 172369	Z6125 172372	Z6126 172419	Z6127 172419	Z6128 172419	Z6129 172419	Z6130 172493	Z6131 172449			

FIGURE 3-9 170576 PRIORITY REGISTOR (PRD)



1	2	3	4	5	6	7	8	9	10	11	12	13	14	15	16	17	18
Z6202 I72419	Z6203 I72419		Z6205 I72359	Z6206 I72371	Z6207 I72368	Z6208 I72335		Z6210 I72431	Z6211 I7390	Z6212 I72419	Z6213 I72333	Z6214 I72449	Z6215 I72449				
19	20	21	22	23	24	25	26	27	28	29	30	31	32	33	34	35	36
Z6218 I72429	Z6219 I72471	Z6220 I72419	Z6221 I72439	Z6222 I72329	Z6223 I72374	Z6224 I72329	Z6225 I72332	Z6226 I72335	Z6227 I72400	Z6228 I72471	Z6229 I72400			K6201			

FIGURE 3-10 170577 UNSCHEDULED REGISTER (URD)



1	2	3	4	5	6	7	8	9	10	11	12	13	14	15	16	17	18
					K 6401										TB 6401		
19	20	21	22	23	24	25	26	27	28	29	30	31	32	33	34	35	36
														TB 6404	TB 6403		
															TB 6404		

FIGURE 3-11 170578 MECHANICAL ACCESSORIES (MAD)

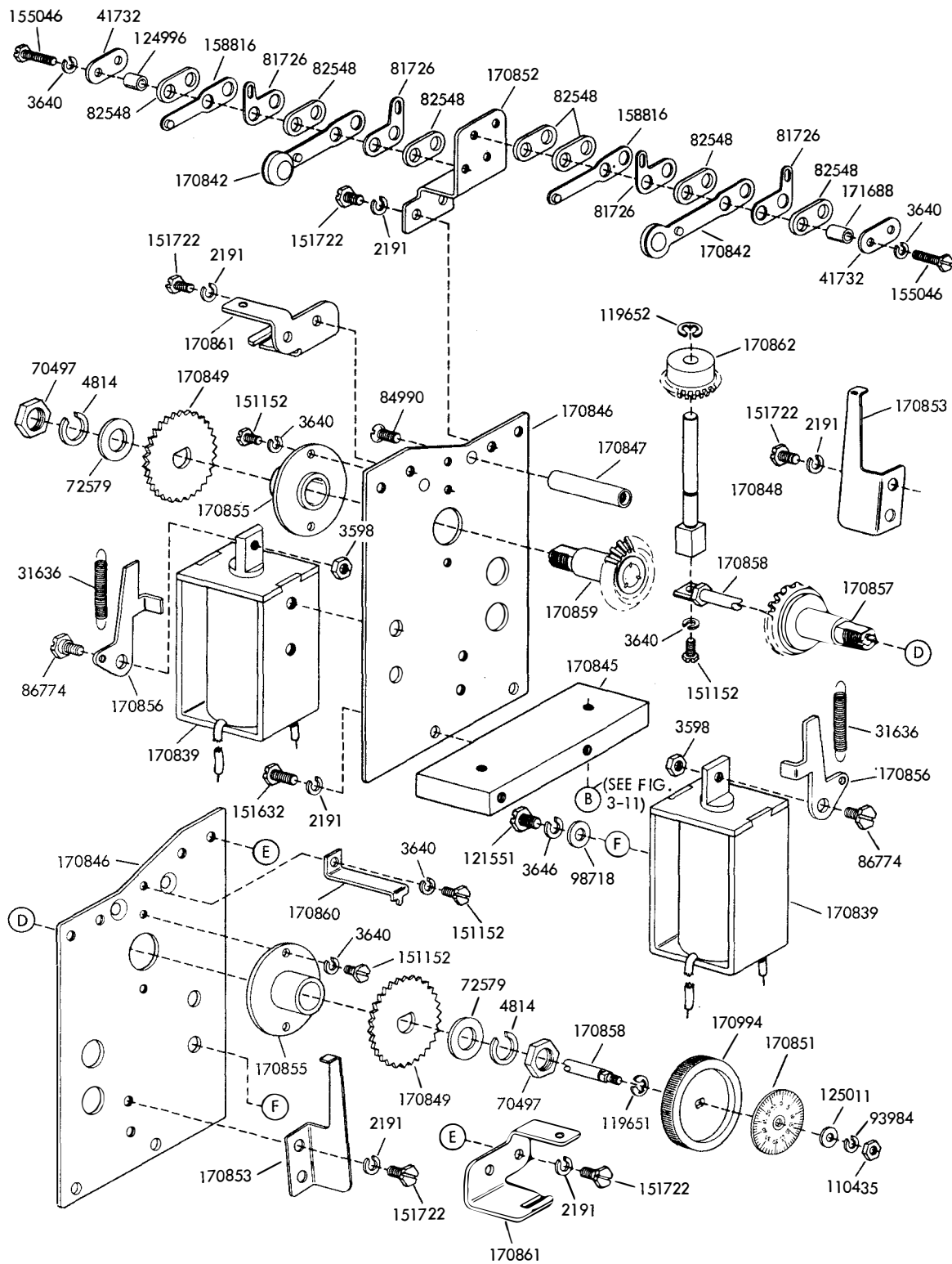


FIGURE 3-12 170810 DIFFERENTIAL MESSAGE COUNTER ASSEMBLY

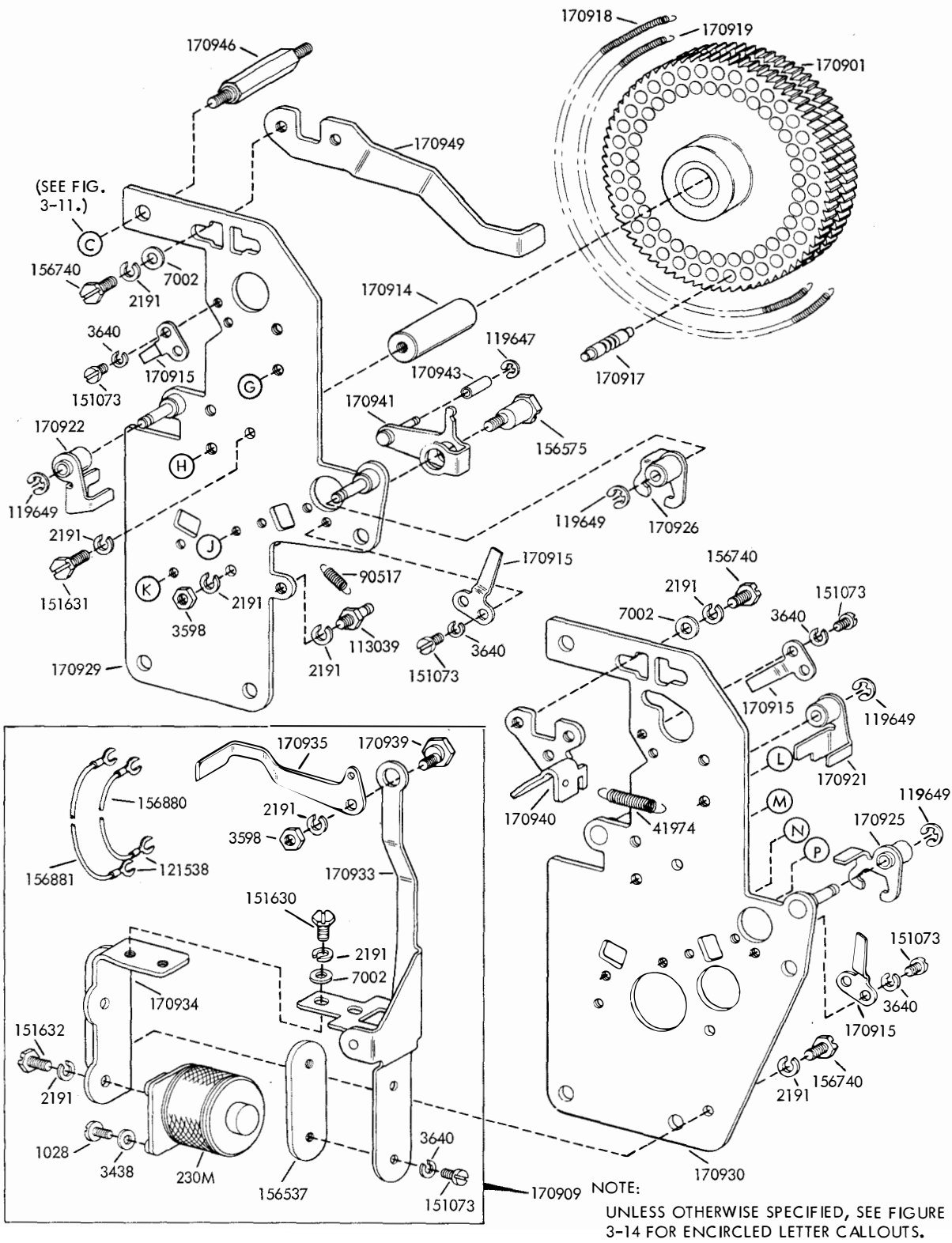
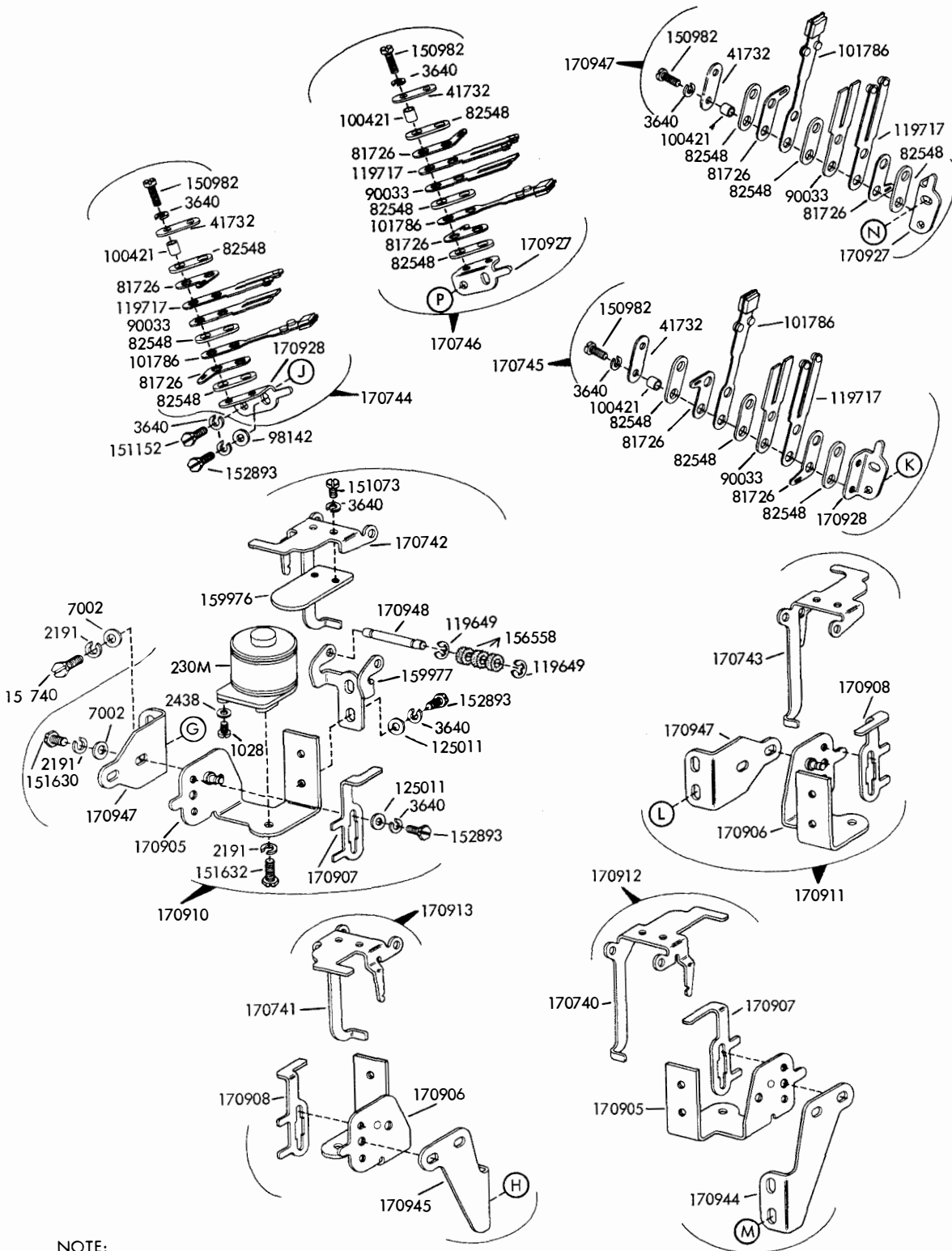
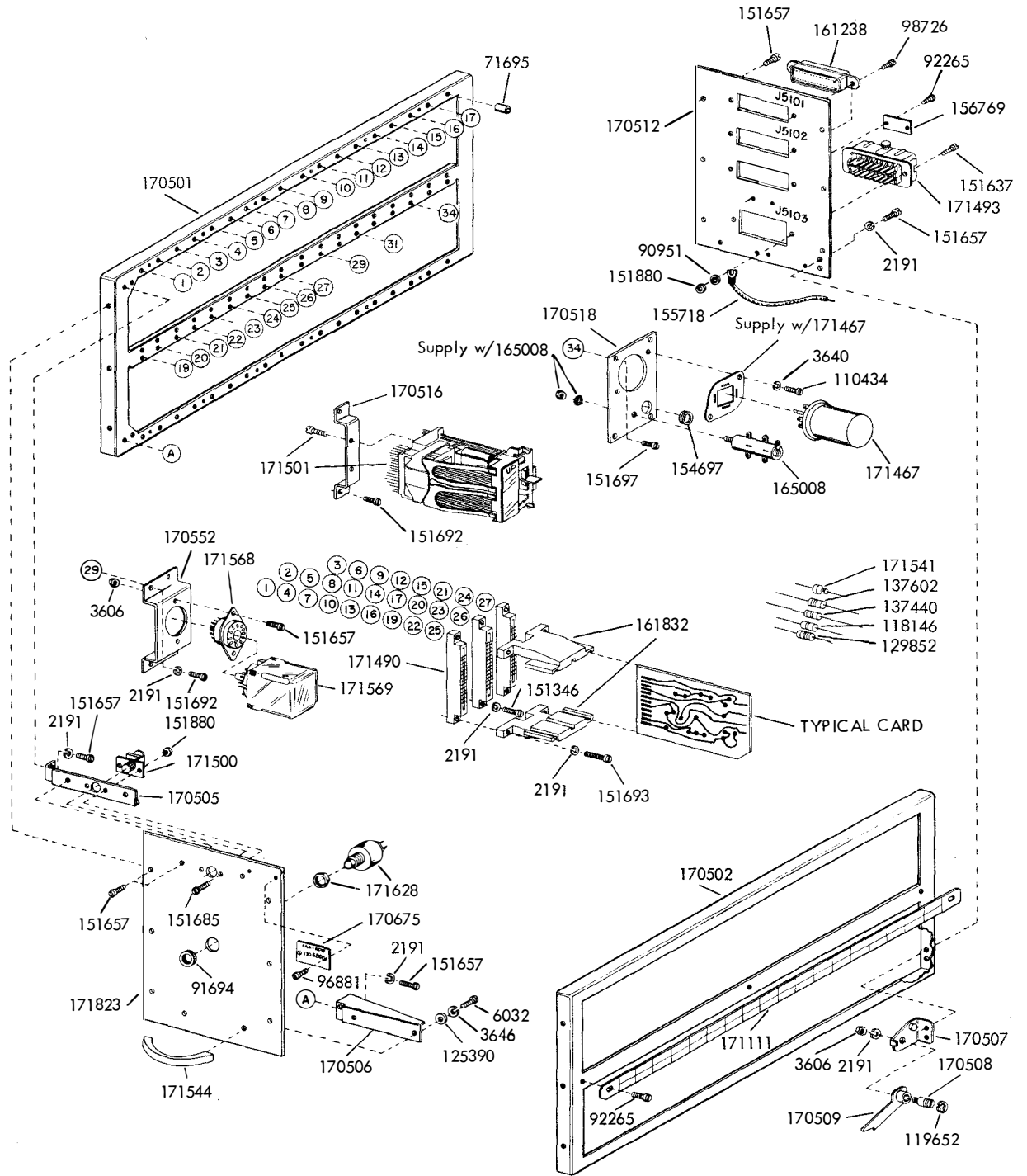


FIGURE 3-13 170900 THIRTY-SEVEN UNIT COUNTER ASSEMBLY



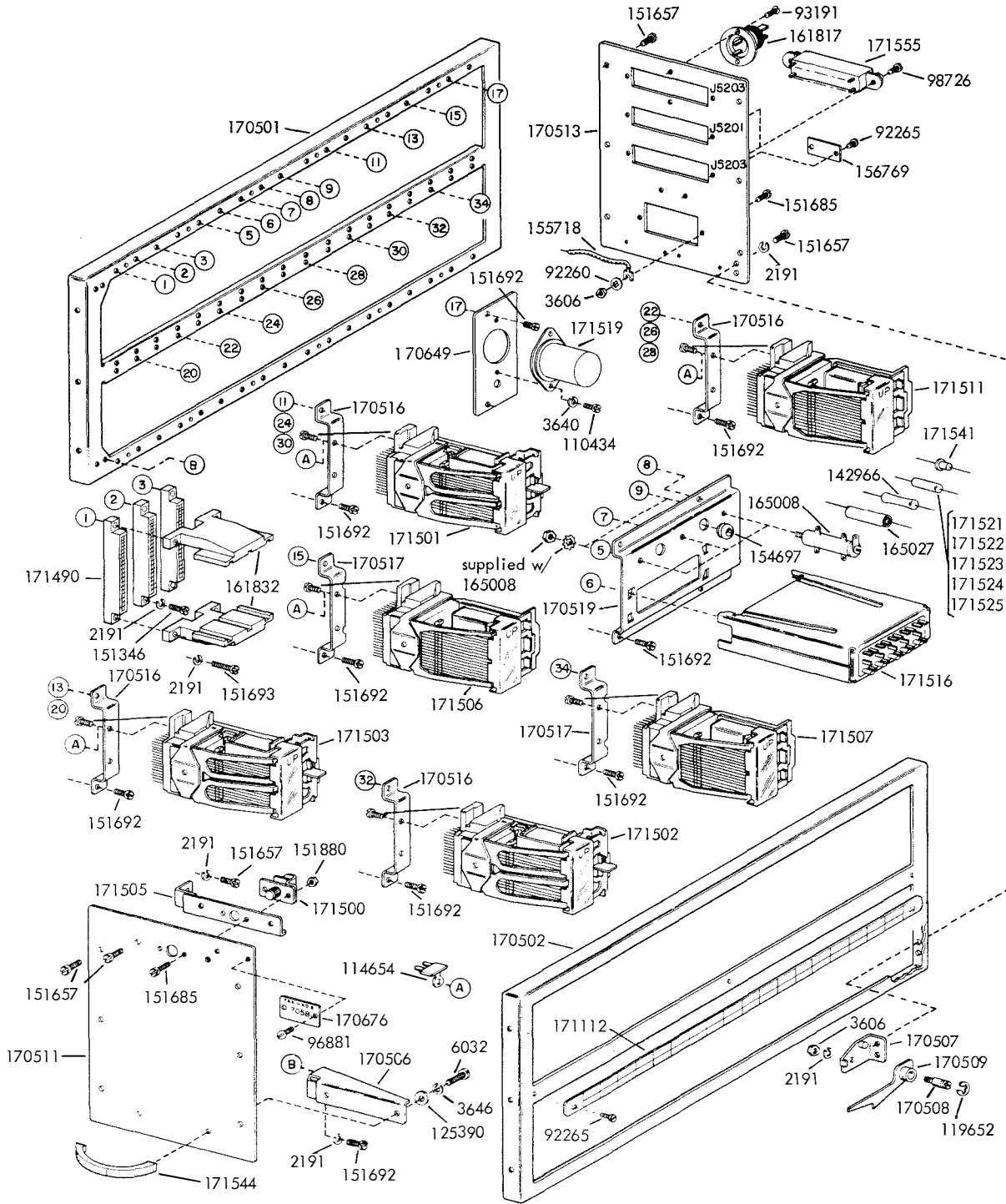
NOTE:
SEE FIGURE 3-13 FOR ENCIRCLED LETTER CALLOUTS.

FIGURE 3-14 170900 THIRTY-SEVEN UNIT COUNTER ASSEMBLY cont.



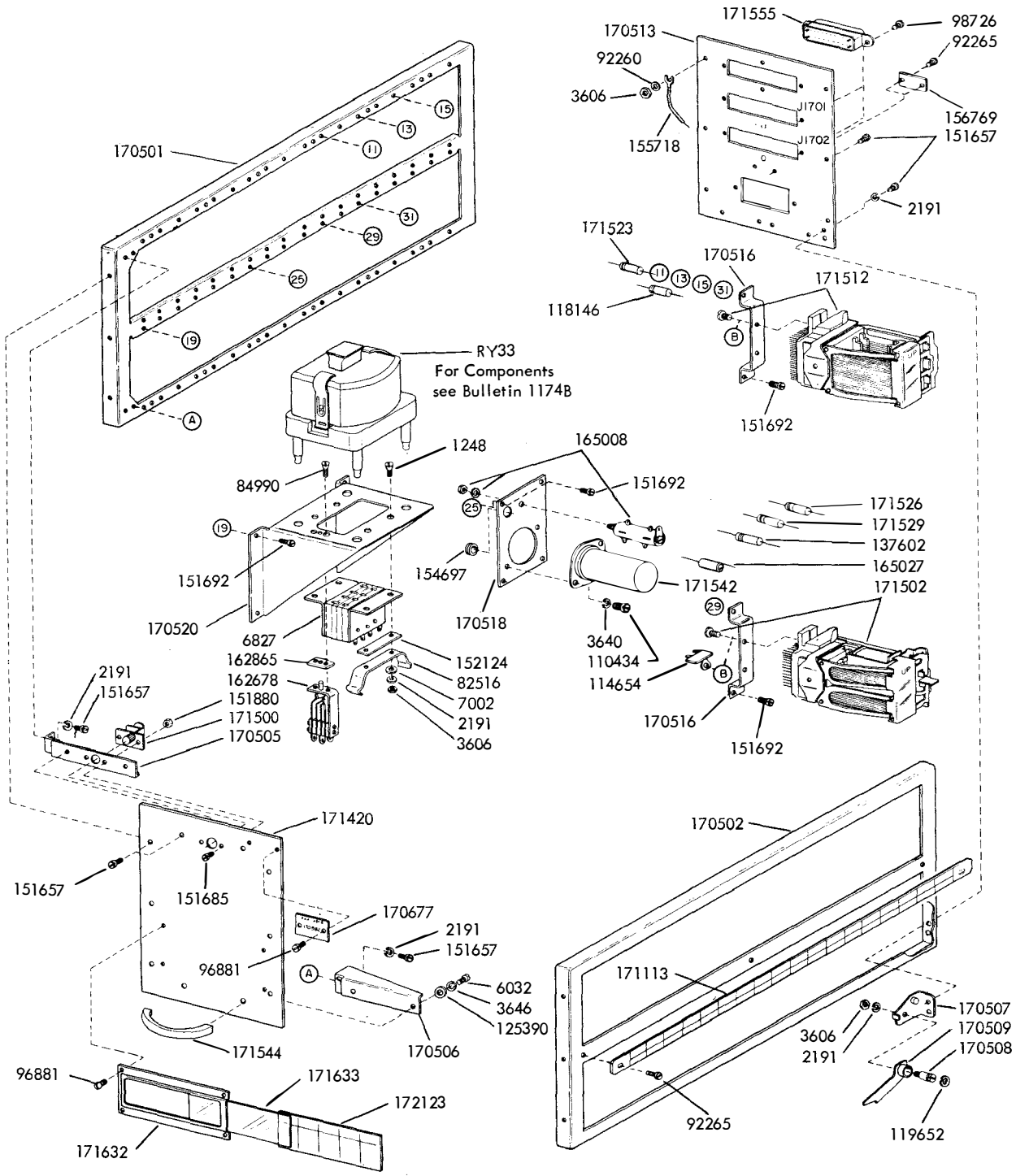
1	2	3	4	5	6	7	8	9	10	11	12	13	14	15	16	17	18
Z5101	Z5102	Z5103	Z5104	Z5105	Z5106	Z5107	Z5108	Z5109	Z5110	Z5111	Z5112	Z5113	Z5114	Z5115	Z5116	Z5117	
172419	172419	172359	172431	172429	172491	172492	172359	172469	172387	172335	172388	172388	172388	172388	172449	172449	
19	20	21	22	23	24	25	26	27	28	29	30	31	32	33	34	35	36
Z5119	Z5120	Z5121	Z5122	Z5123	Z5124	Z5125	Z5126	Z5127		K5101		K5100			C5101		
172395	172395	172395	172395	172395	172395	172395	172395	172395									

FIGURE 3-15 170580 HI-SPEED REPERFORATOR DRIVER CONTROL (BRPE)



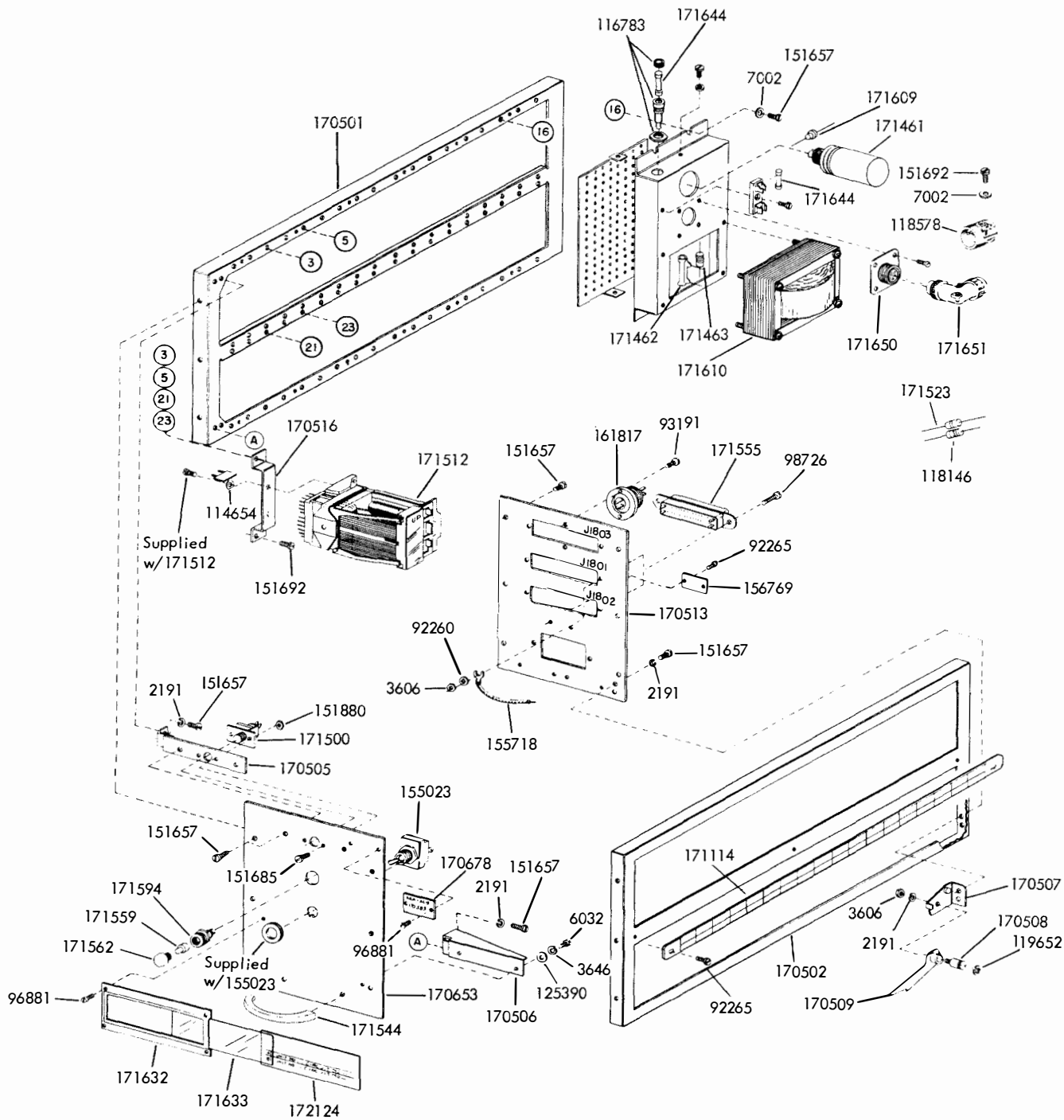
1	2	3	4	5	6	7	8	9	10	11	12	13	14	15	16	17	18
Z5201 172460	Z5202 172459	Z5203 172461		TB5212	K5205	TB5211		TB5210		K5201 TB5203		K5202 TB5202		K5204 TB5201		C5201	
19	20	21	22	23	24	25	26	27	28	29	30	31	32	33	34	35	36
K5207 TB5209			K5209 TB5208		K5208 TB5208		K5210 TB5206		K5211 TB5205		K5203 TB5204		K5206		K5212		

FIGURE 3-16 170581 LOW-SPEED TRANSMITTING DIST. CONTROL (LBXDCO)



1	2	3	4	5	6	7	8	9	10	11	12	13	14	15	16	17	18	
		K1706								K1701		K1702	K1703 TB1701					
19	20	Z1701	J1703	22	23	24	25	26	27	28	29	30	31	32	33	34	35	36
								TB1704 C1704			TB1703 K1705		TB1702 K1704					

FIGURE 3-17 170582 PRIMARY PRIORITY CONTROL (PRIM-PRI)



1	2	3	4	5	6	7	8	9	10	11	12	13	14	15	16	17	18
		K1801 TB1803		K1802 TB1804											P1804		
19	20	Z1	22	23	24	25	26	27	28	29	30	31	32	33	34	35	36
		K1803 TB1801		K1804 TB1802										Z1801			

FIGURE 3-18 170583 SUPPLEMENTARY AND LOCAL PRIORITY CONTROL (SRO-PRI)

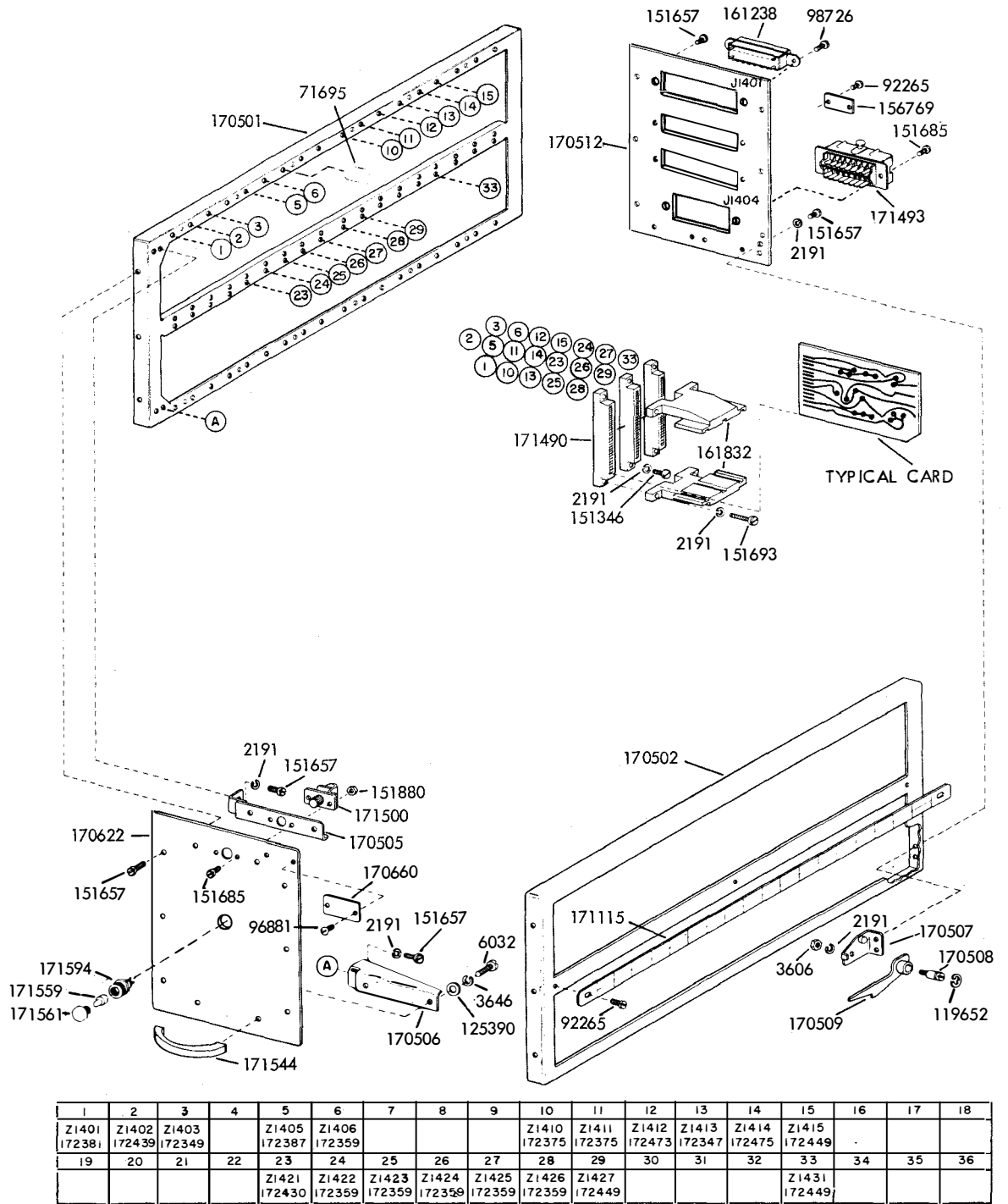
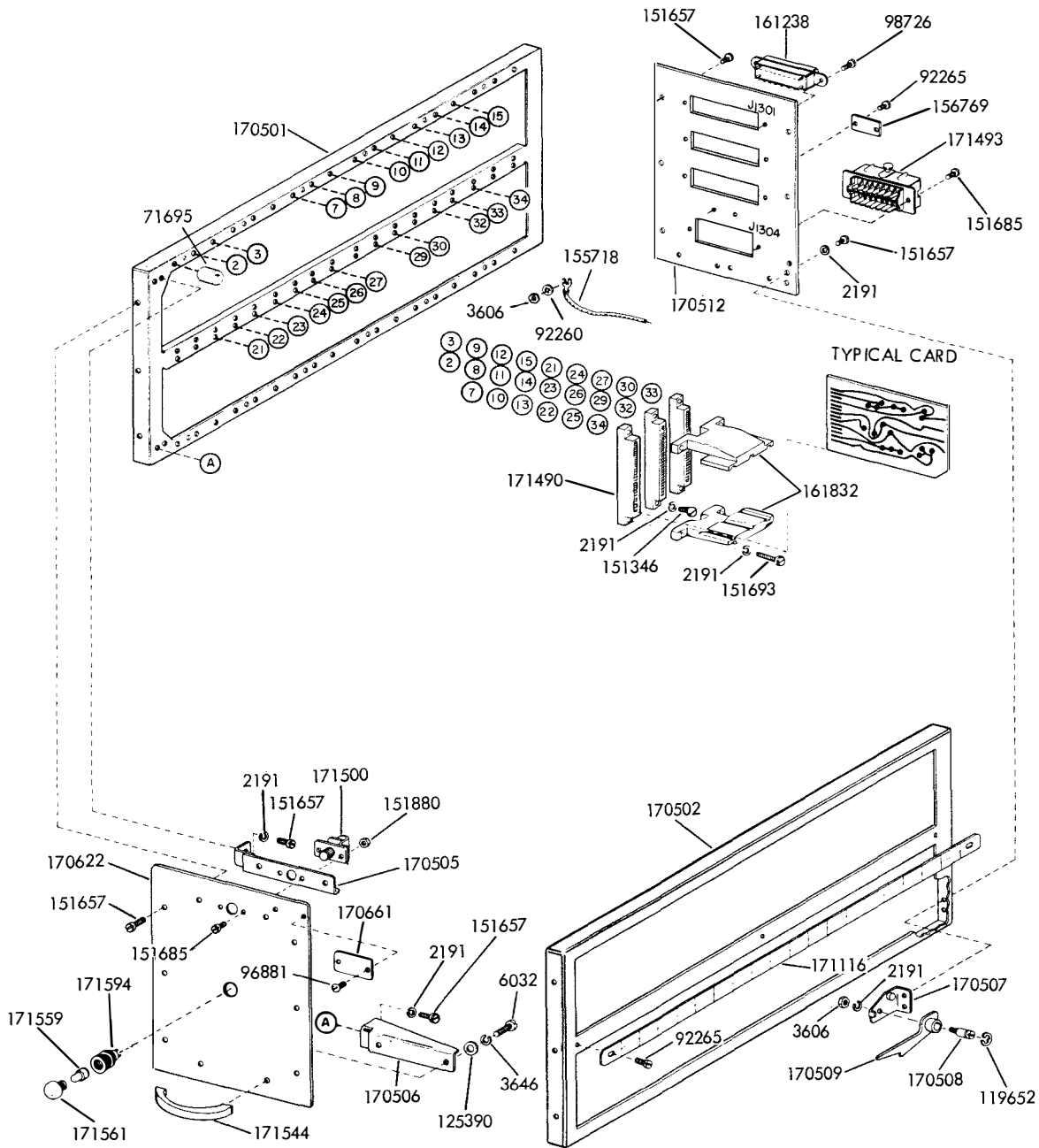


FIGURE 3-19 170584 HI-SPEED TRANSMITTING DISTRIBUTOR (HISTRAD)



1	2	3	4	5	6	7	8	9	10	11	12	13	14	15	16	17	18
	Z1302 I72439	Z1303 I72401				Z1307 I72359	Z1308 I72359	Z1309 I72359	Z1310 I72359	Z1311 I72359	Z1312 I72359	Z1313 I72469	Z1314 I72347	Z1315 I72333			
19	20	21	22	23	24	25	26	27	28	29	30	31	32	33	34	35	36
	Z1319 I72401	Z1320 I72332	Z1321 I72374	Z1322 I72475	Z1323 I72473	Z1324 I72490	Z1325 I72347		Z1327 I72474	Z1328 I72349		Z1330 I72349	Z1331 I72449	Z1332 I72449			

FIGURE 3-20 170585 HI-SPEED RECEIVING DISTRIBUTOR (HISRED)

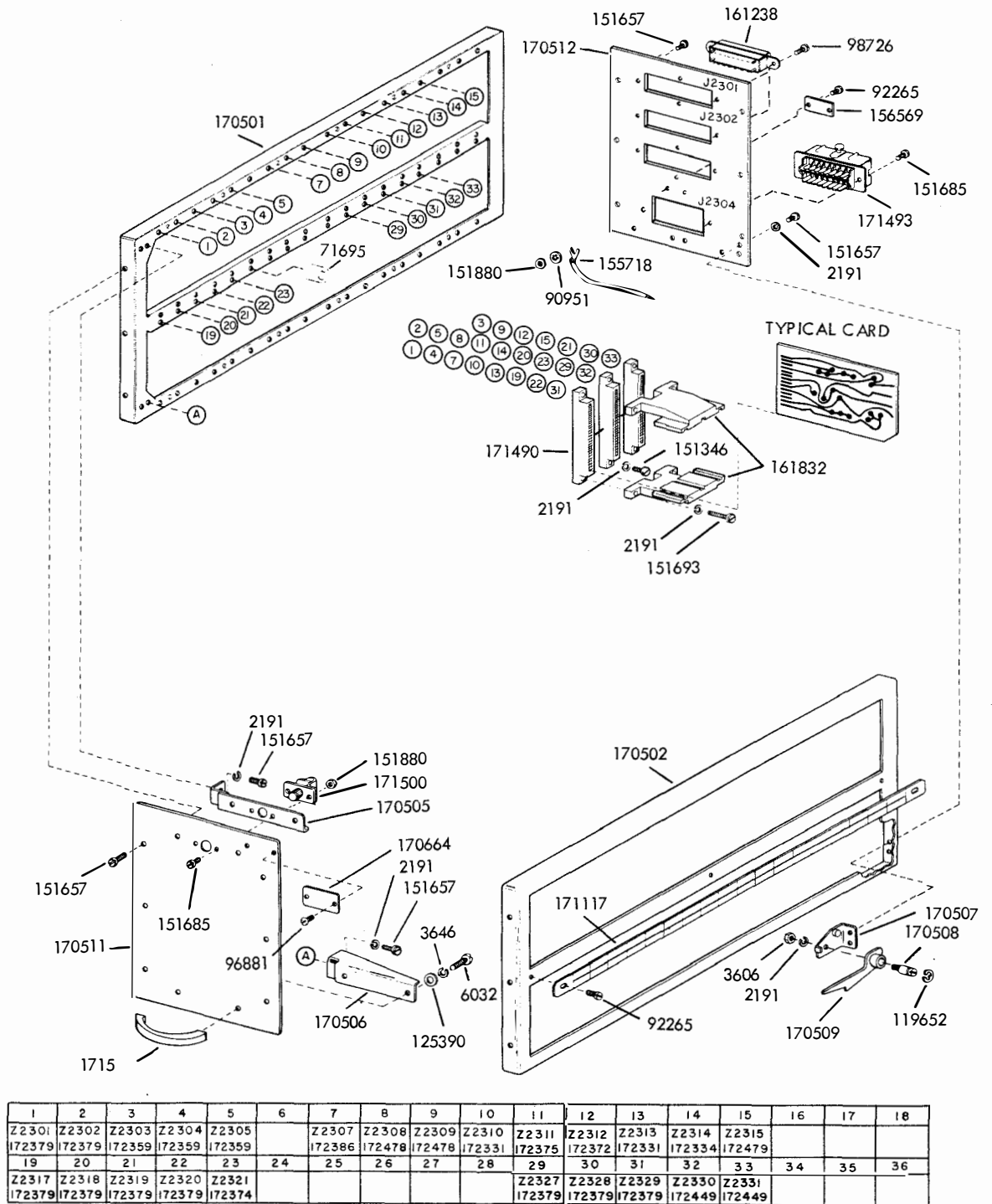
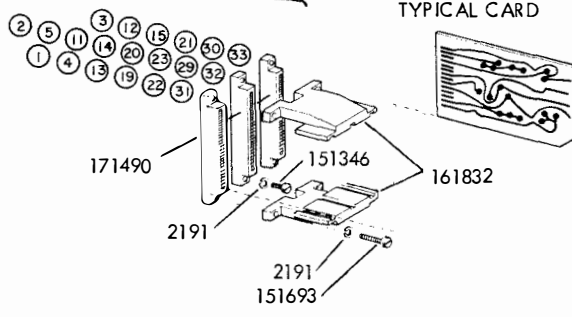
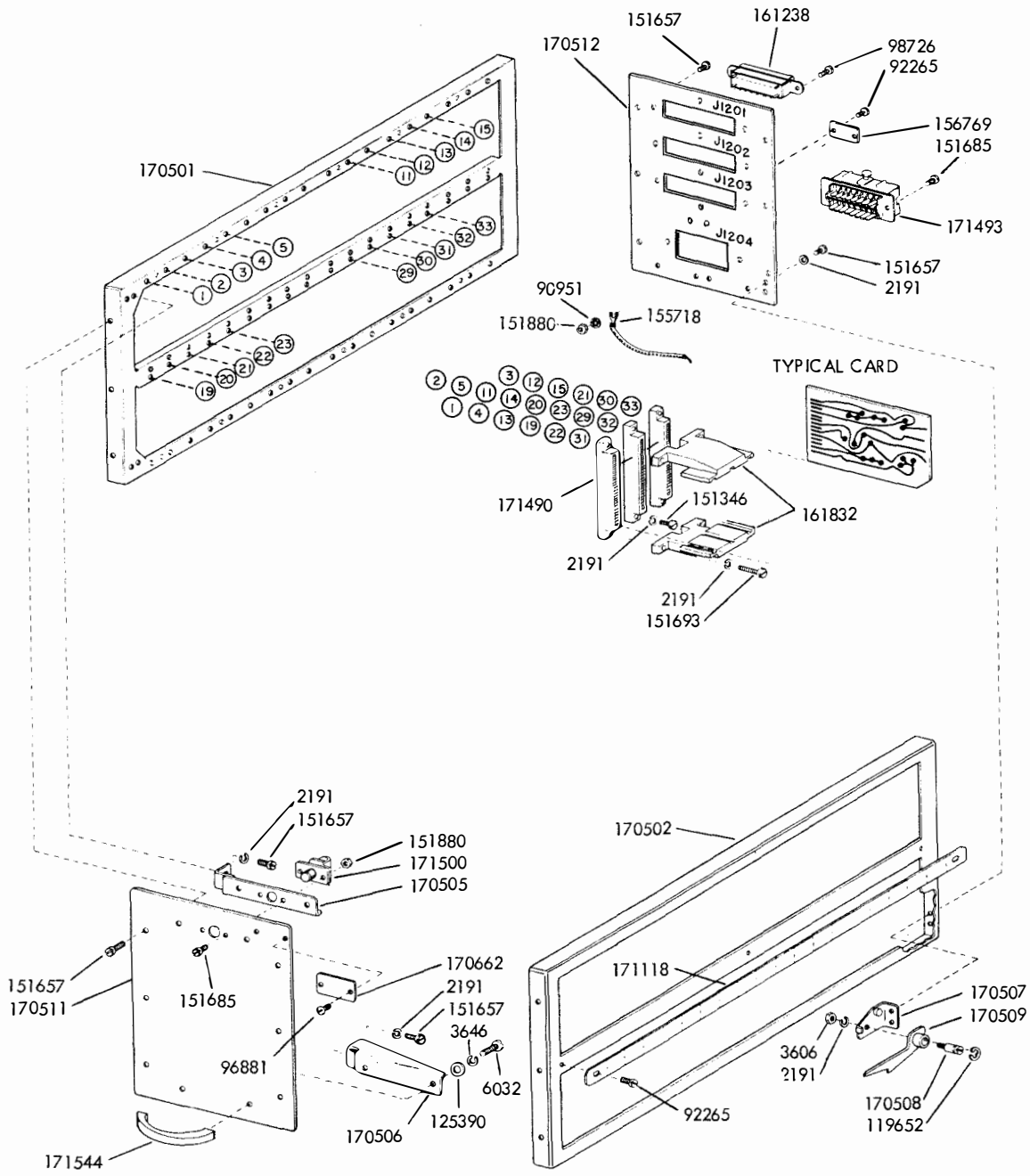
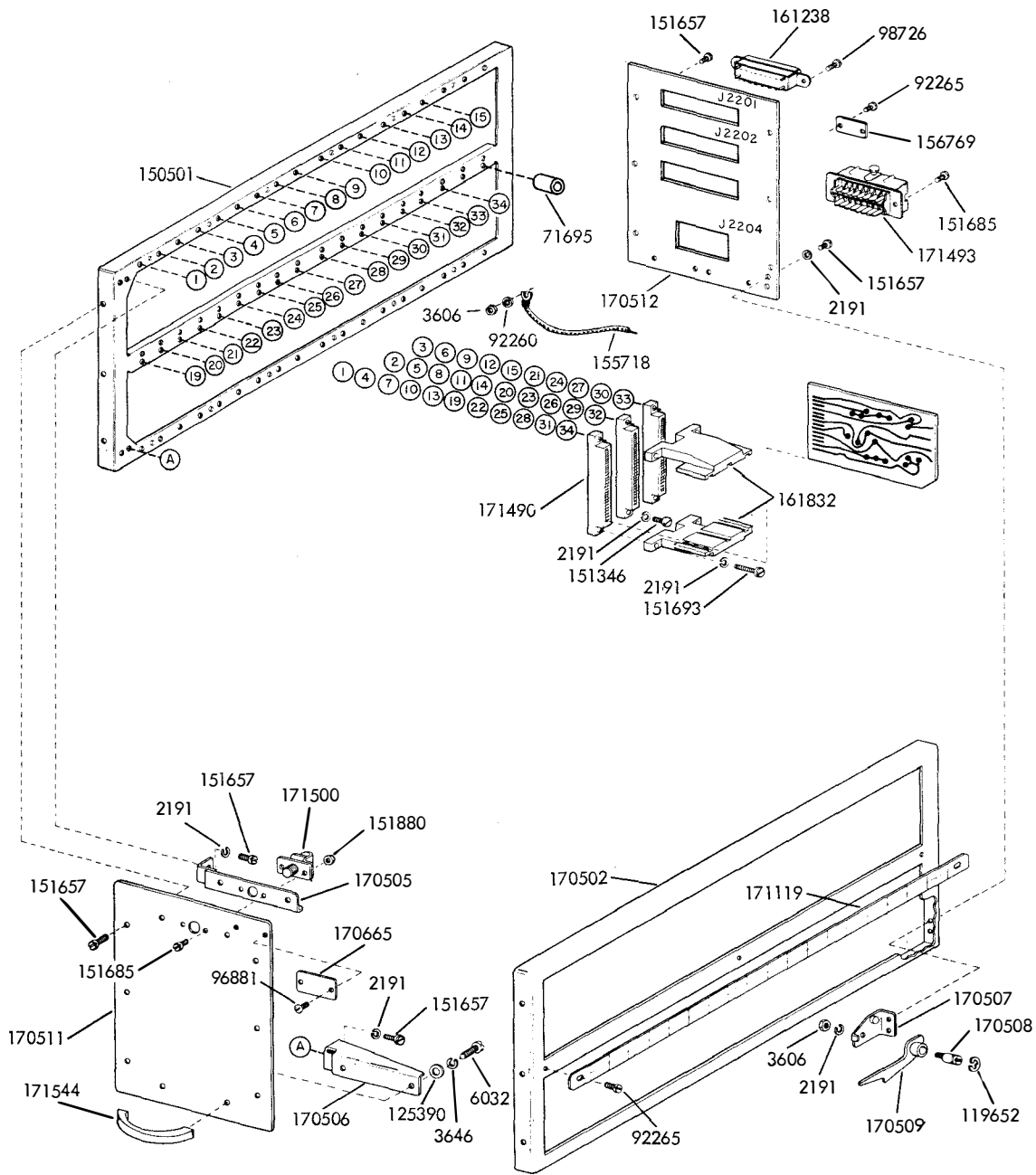


FIGURE 3-21 170586 SEQUENCE DETECTOR (SEDET)



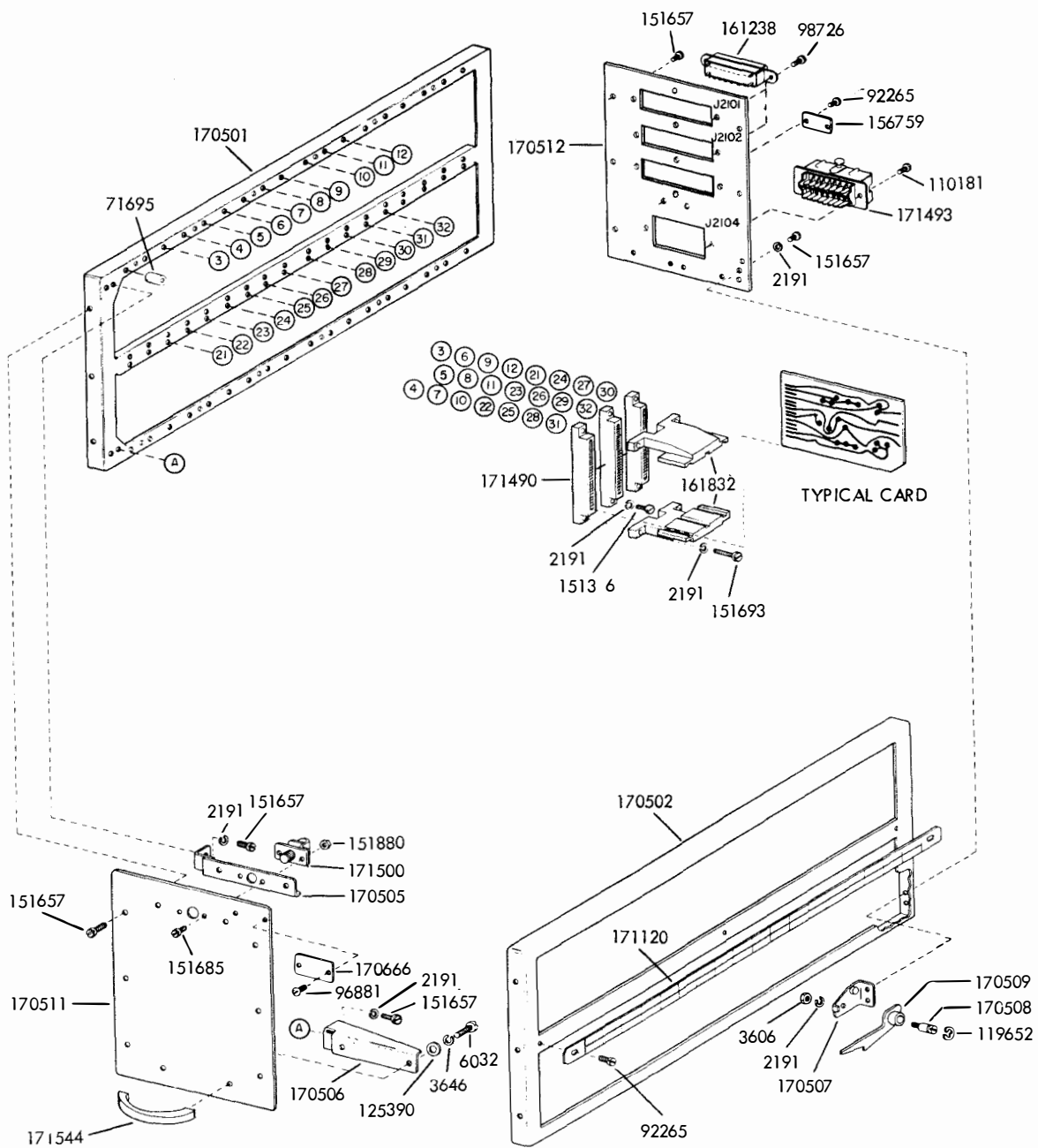
1	2	3	4	5	6	7	8	9	10	11	12	13	14	15	16	17	18
Z1201	Z1202	Z1203	Z1204	Z1205						Z1211	Z1212	Z1213	Z1214				
172359	172359	172359	172359	172359						172331	172334	172331	172334	172449			
19	20	21	22	23	24	25	26	27	28	29	30	31	32	33	34	35	36
Z1217	Z1218	Z1219	Z1220	Z1221						Z1227	Z1228	Z1229	Z1230	Z1231			
172359	172359	172359	172359	172359						172331	172334	172331	172334	172449			

FIGURE 3-22 170587 MULTI-STORAGE II (MULSTO II)



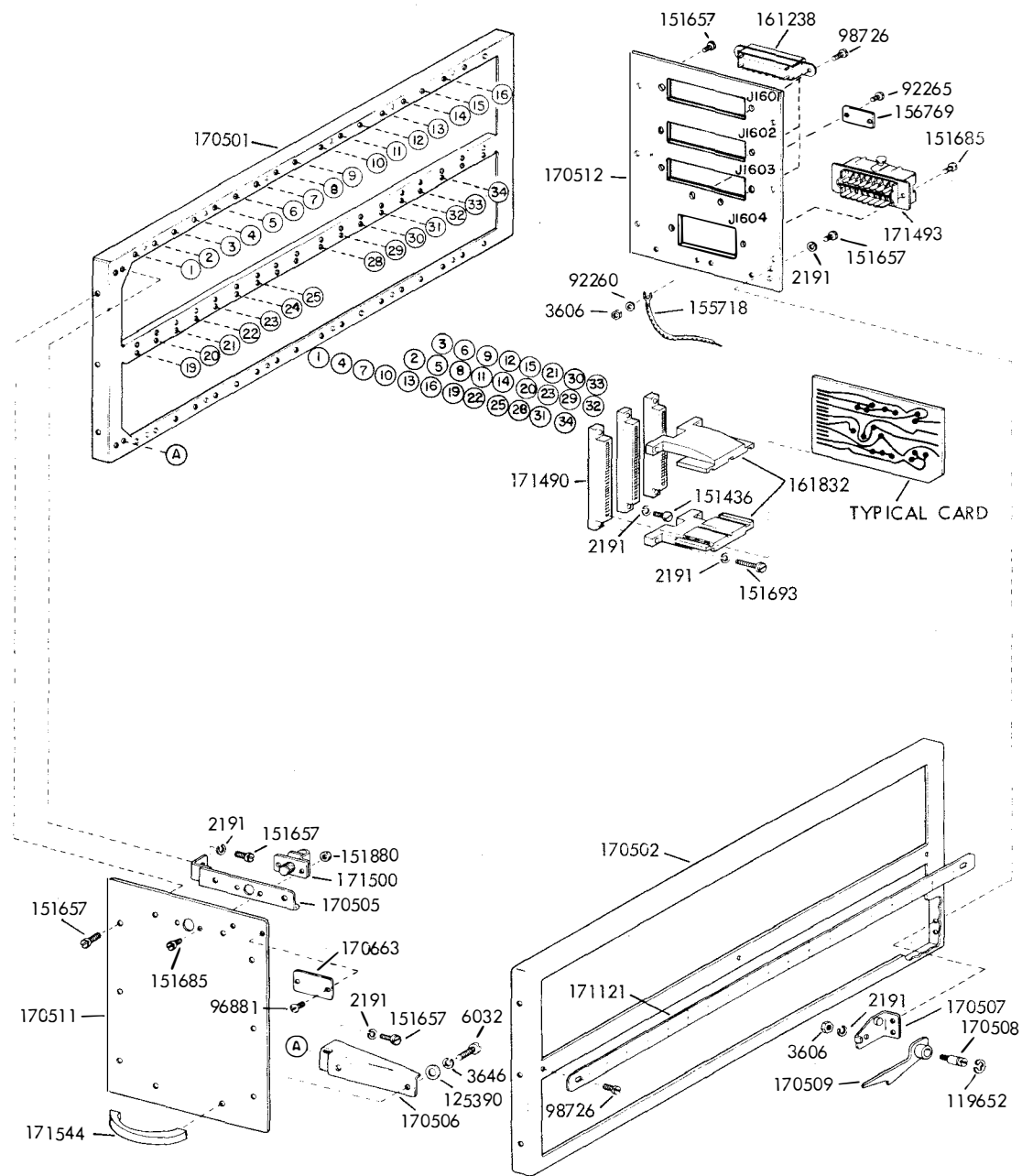
1	2	3	4	5	6	7	8	9	10	11	12	13	14	15	16	17	18
Z2201	Z2202	Z2203	Z2204	Z2205	Z2206	Z2207	Z2208	Z2209	Z2210	Z2211	Z2212	Z2213	Z2214	Z2215			
I72379	I72379	I72359	I72359	I72359	I72474	I72375	I72347	I72469	I72478	I72333	I72478	I72478	I72478	I72386			
19	20	21	22	23	24	25	26	27	28	29	30	31	32	33	34	35	36
Z2217	Z2218	Z2219	Z2220	Z2221	Z2222	Z2223	Z2224	Z2225	Z2226	Z2227	Z2228	Z2229	Z2230	Z2231	Z2232		
I72438	I72348	I72348	I72348	I72348	I72348	I72348	I72348	I72348	I72348	I72348	I72348	I72348	I72329	I72421	I72449	I72449	

FIGURE 3-23 170588 CORE DRIVER (COD)



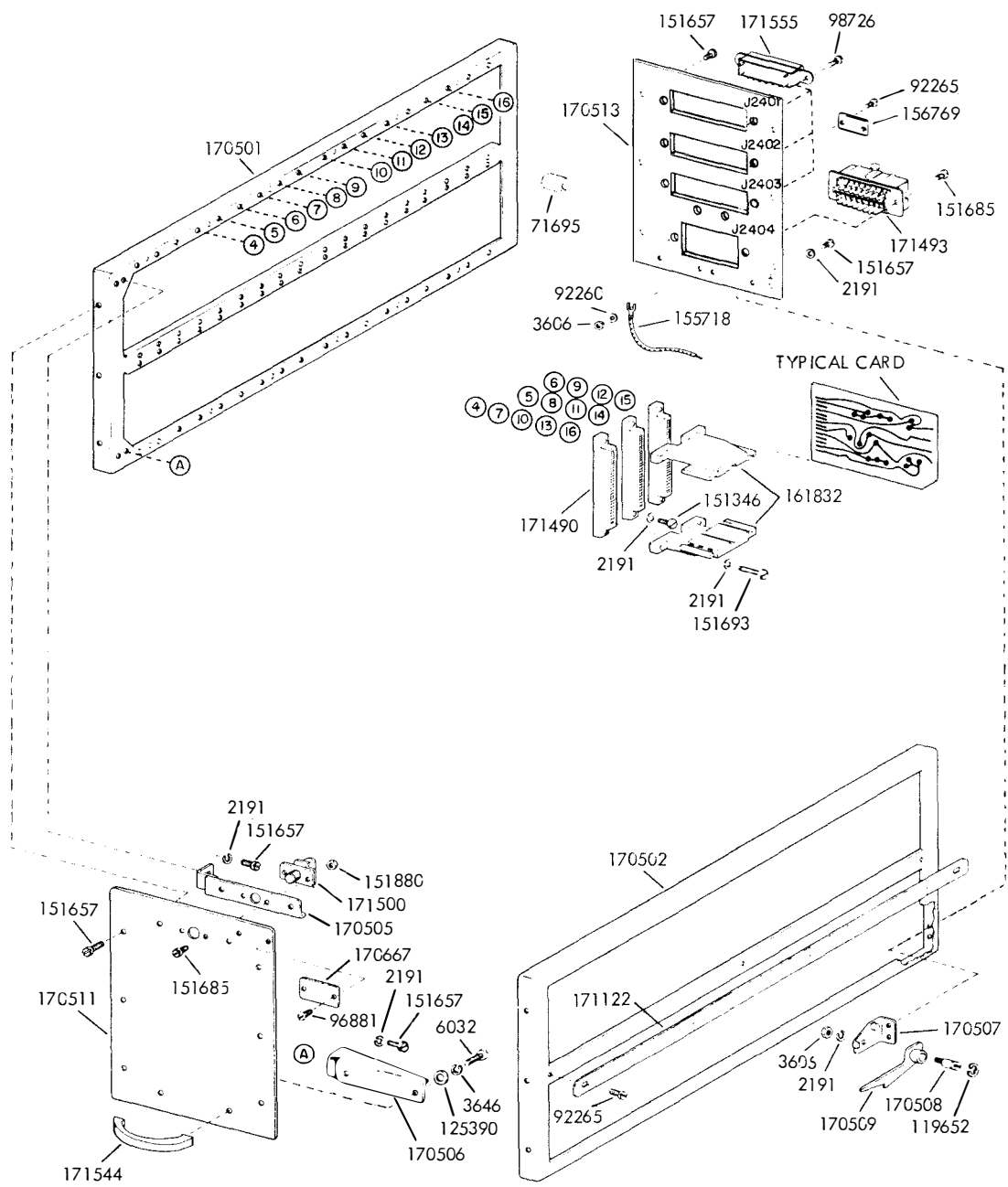
1	2	3	4	5	6	7	8	9	10	11	12	13	14	15	16	17	18
		Z2103 172398	Z2104 172398	Z2105 172398	Z2106 172398	Z2107 172398	Z2108 172398	Z2109 172398	Z2110 172398	Z2111 172398	Z2112 172398						
19	20	21	22	23	24	25	26	27	28	29	30	31	32	33	34	35	36
		Z2119 172398	Z2120 172398	Z2121 172398	Z2122 172398	Z2123 172398	Z2124 172398	Z2125 172398	Z2126 172398	Z2127 172398	Z2128 172398	Z2129 172448	Z2130 172449				

FIGURE 3-24 170589 CORE INHIBITOR (COIN)



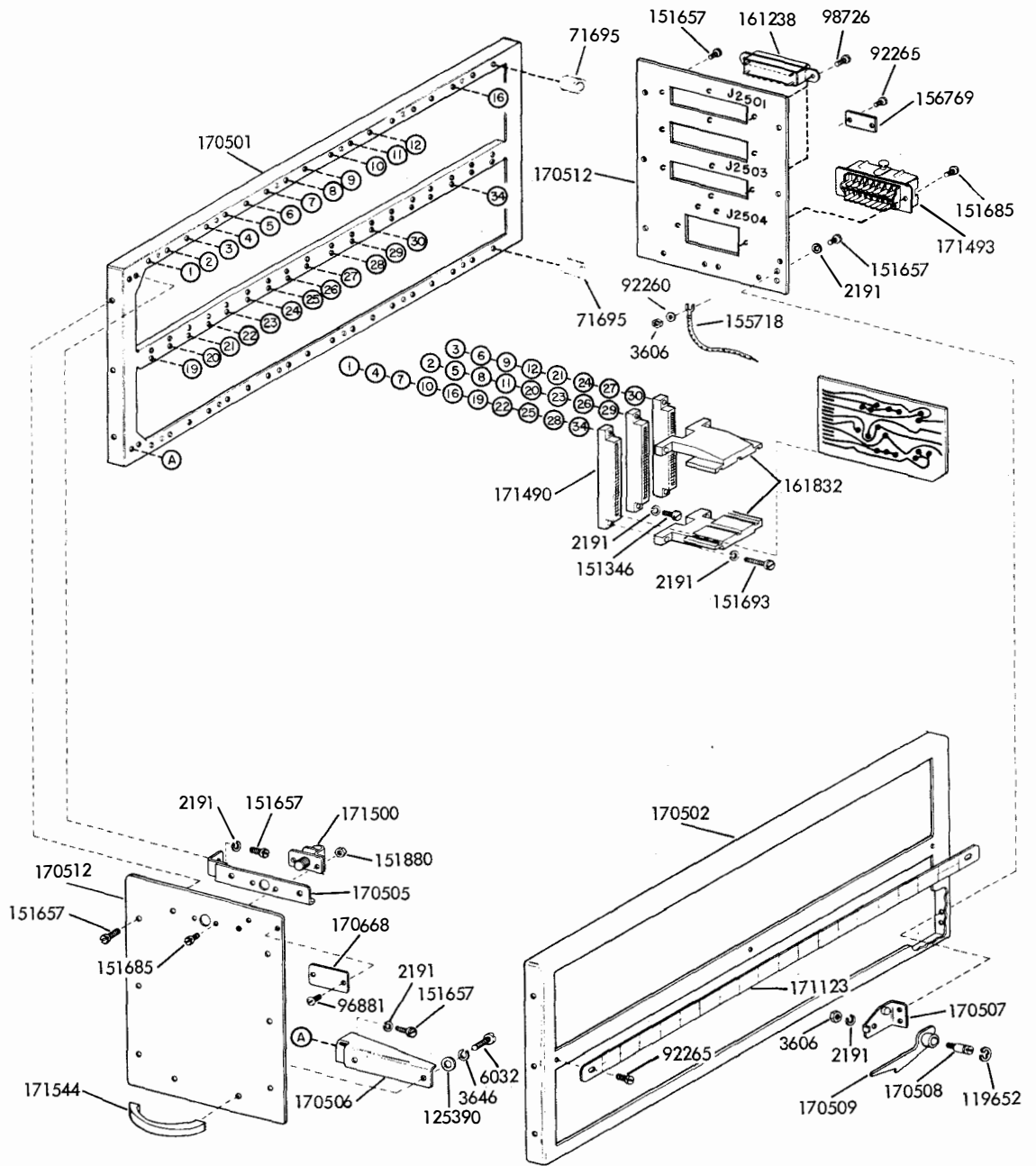
1	2	3	4	5	6	7	8	9	10	11	12	13	14	15	16	17	18
Z1601 I72350	Z1602 I72401	Z1603 I72490	Z1604 I72401	Z1605 I72375	Z1606 I72375	Z1607 I72401	Z1608 I72359	Z1609 I72331	Z1610 I72377	Z1611 I72376	Z1612 I72376	Z1613 I72376	Z1614 I72376	Z1615 I72319	Z1616 I72449		
19	20	21	22	23	24	25	26	27	28	29	30	31	32	33	34	35	36
Z1617 I72334	Z1618 I72370	Z1619 I72433	Z1620 I72378	Z1621 I72387	Z1622 I72433	Z1623 I72419			Z1626 I72375	Z1627 I72375	Z1628 I72375	Z1629 I72375	Z1630 I72409	Z1631 I72409	Z1632 I72449		

FIGURE 3-25 170590 MULTI-READER AUXILIARY AND ANSWER BACK (MUR AAB)



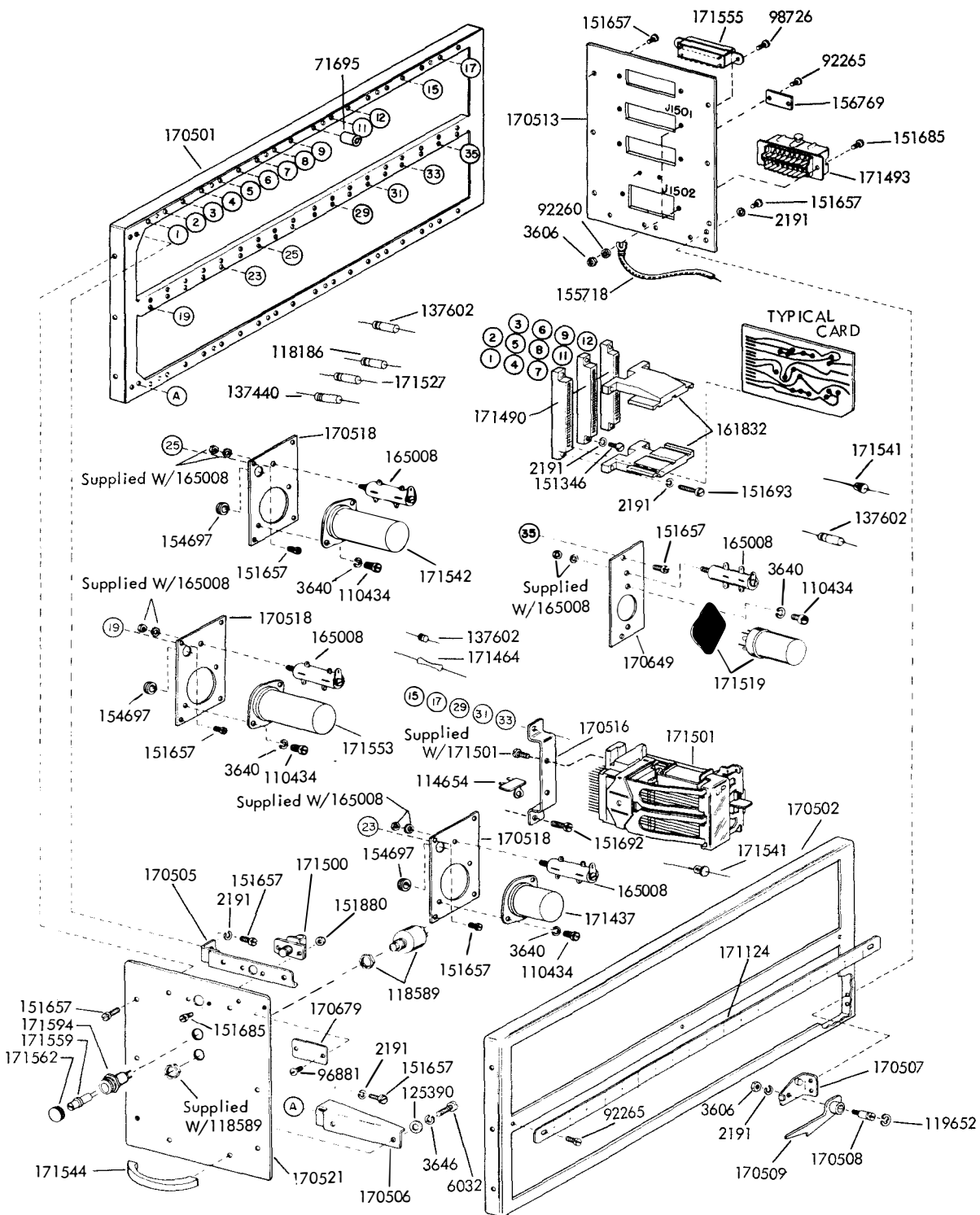
1	2	3	4	5	6	7	8	9	10	11	12	13	14	15	16	17	18
			Z2404 172345	Z2405 172345	Z2406 172345	Z2407 172345	Z2408 172345	Z2409 172345	Z2410 172345	Z2411 172345	Z2412 172345	Z2413 172345	Z2414 172345	Z2415 172345	Z2416 172449		
19	20	21	22	23	24	25	26	27	28	29	30	31	32	33	34	35	36

FIGURE 3-26 170591 OUTPUT AMPLIFIERS (OPAS)



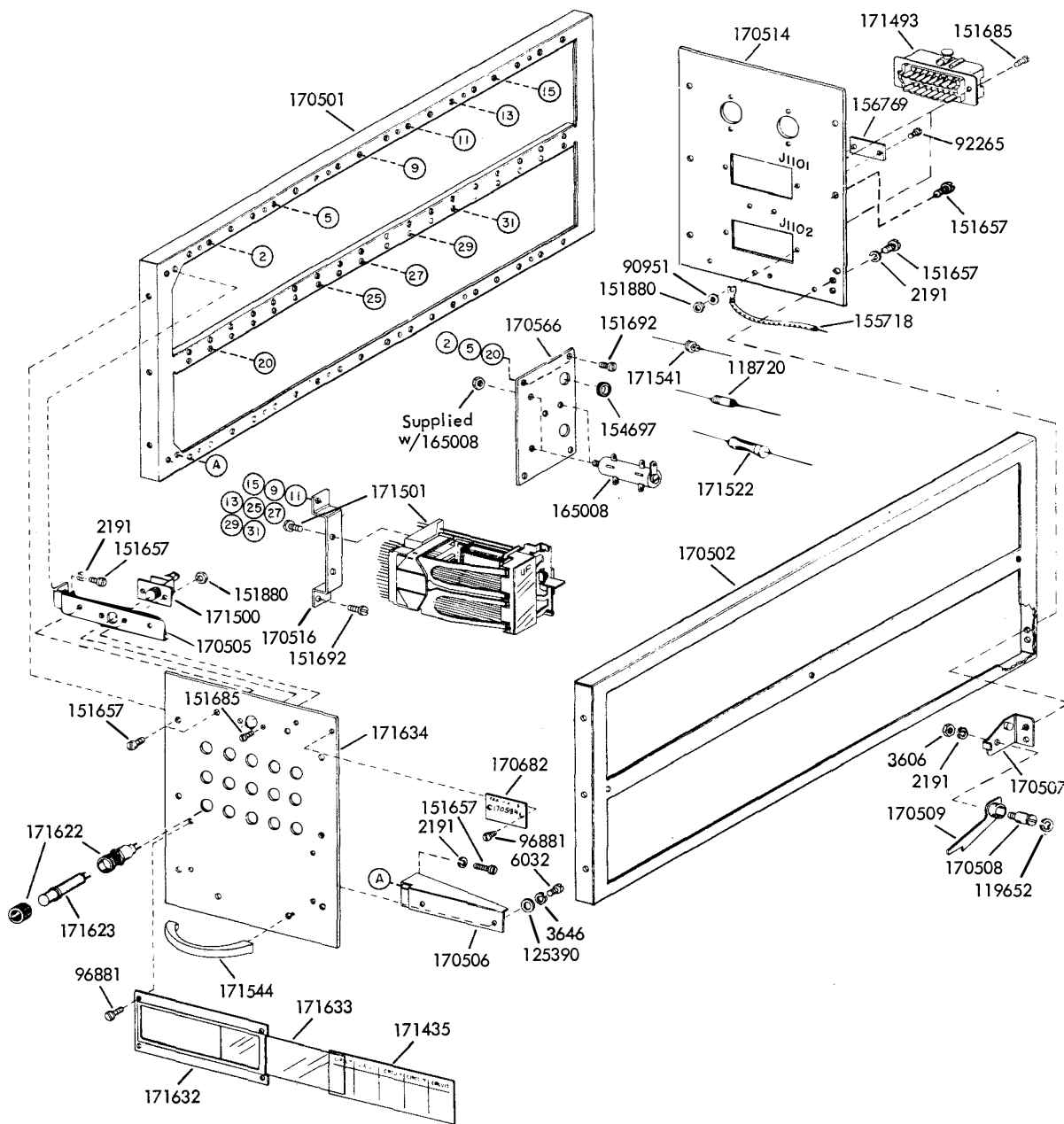
1	2	3	4	5	6	7	8	9	10	11	12	13	14	15	16	17	18
Z2501 172471	Z2502 172471	Z2503 172471	Z2504 172471	Z2505 172471	Z2506 172471	Z2507 172471	Z2508 172471	Z2509 172471	Z2510 172471	Z2511 172479	Z2512 172479				Z2516 172449		
19	20	21	22	23	24	25	26	27	28	29	30	31	32	33	34	35	36
Z2517 172479	Z2518 172479	Z2519 172479	Z2520 172479	Z2521 172479	Z2522 172479	Z2523 172479	Z2524 172479	Z2525 172479	Z2526 172479	Z2527 172471	Z2528 172479				Z2532 172449		

FIGURE 3-27 170592 OUTPUT DELAYS (ODELS)



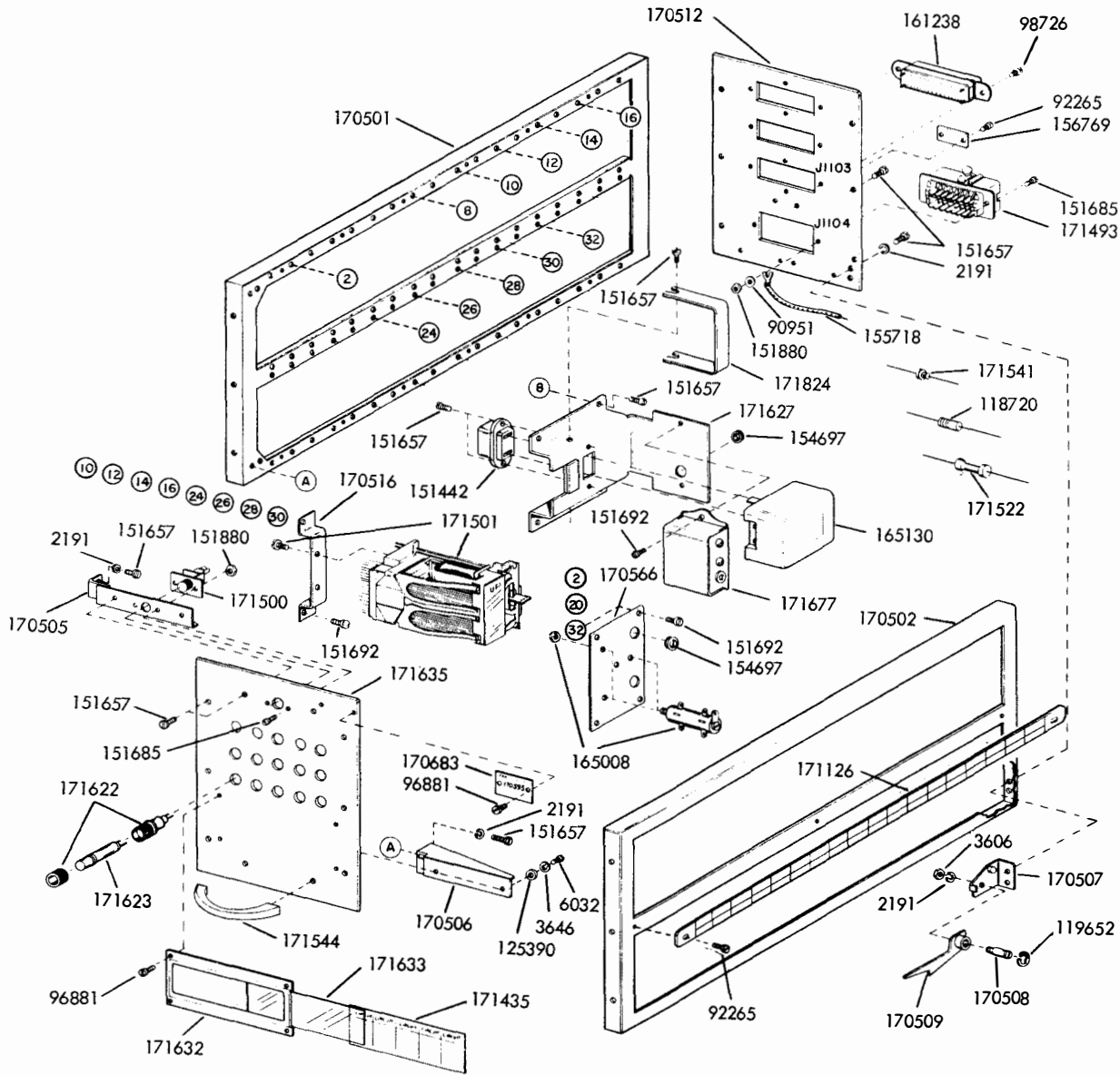
1	2	3	4	5	6	7	8	9	10	11	12	13	14	15	16	17	18
Z1501 172480	Z1502 172419	Z1503 172400	Z1504 172381	Z1505 172442	Z1506 172400	Z1507 172400	Z1508 172400	Z1509 172380		Z1511 172449	Z1512 172449			K1501 TB1501		K1502 TB1502	
19	20	21	22	23	24	25	26	27	28	29	30	31	32	33	34	35	36
	TB1506 C1501				TB1507 C1502		TB1508 C1503			K1503 TB1503		K1504 TB1504		K1505 TB1505		TB1509 C1505	

FIGURE 3-28 170593 MOTOR START AND LINE REQUEST CONTROL (MOSLR)



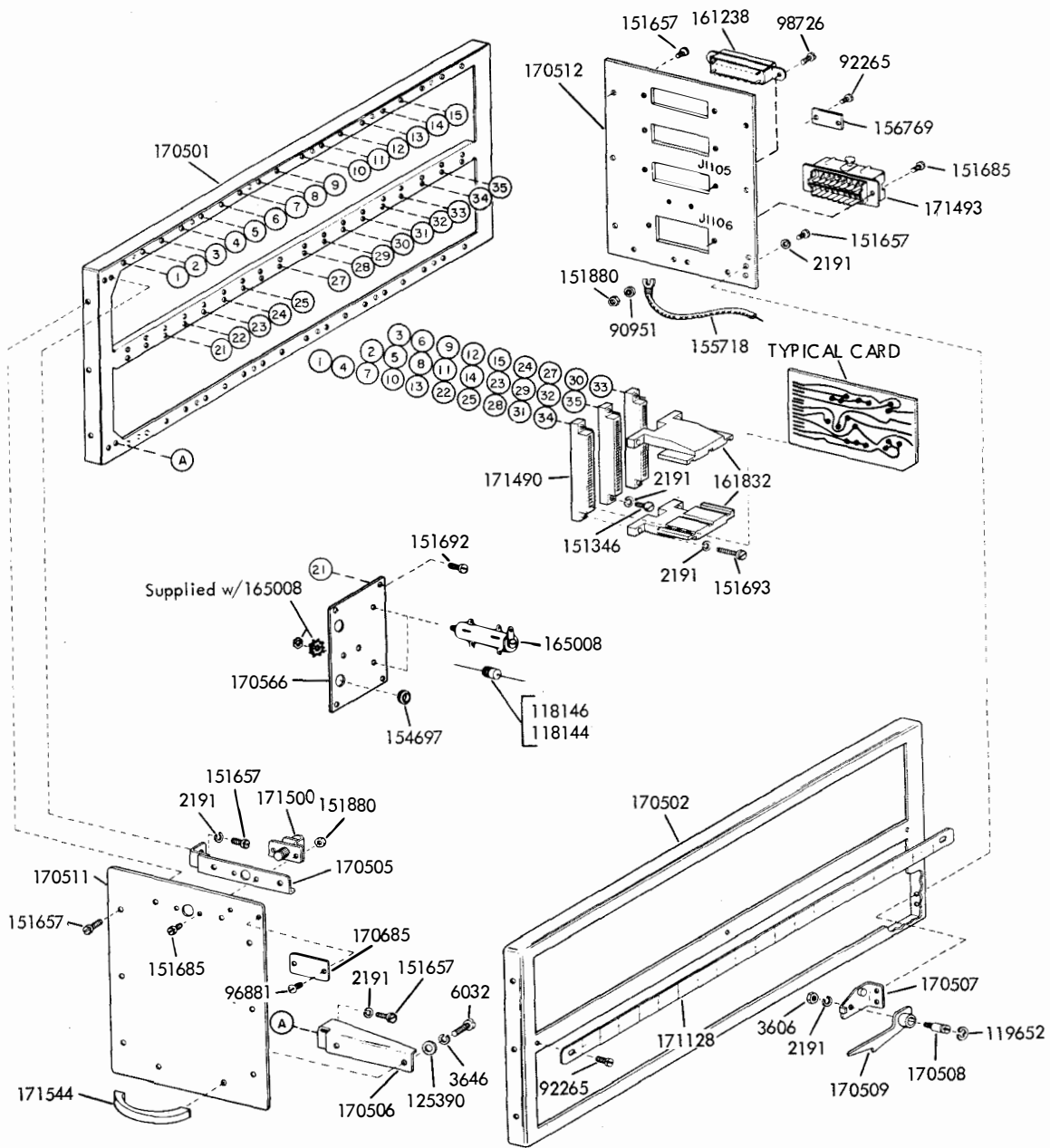
1	2	3	4	5	6	7	8	9	10	11	12	13	14	15	16	17	18
	TB1101 TB1102		TB1103	TB1104 TB1105		TB1106		K1101		K1102		K1103		K1104			
19	20	21	22	23	24	25	26	27	28	29	30	31	32	33	34	35	36
	TB1107		TB1109			K1105		K1106		K1107		K1108					

FIGURE 3-29 170594 AUTO. PROGRAM UNIT H.S. MONITOR - 1 (APUHS MON-1)



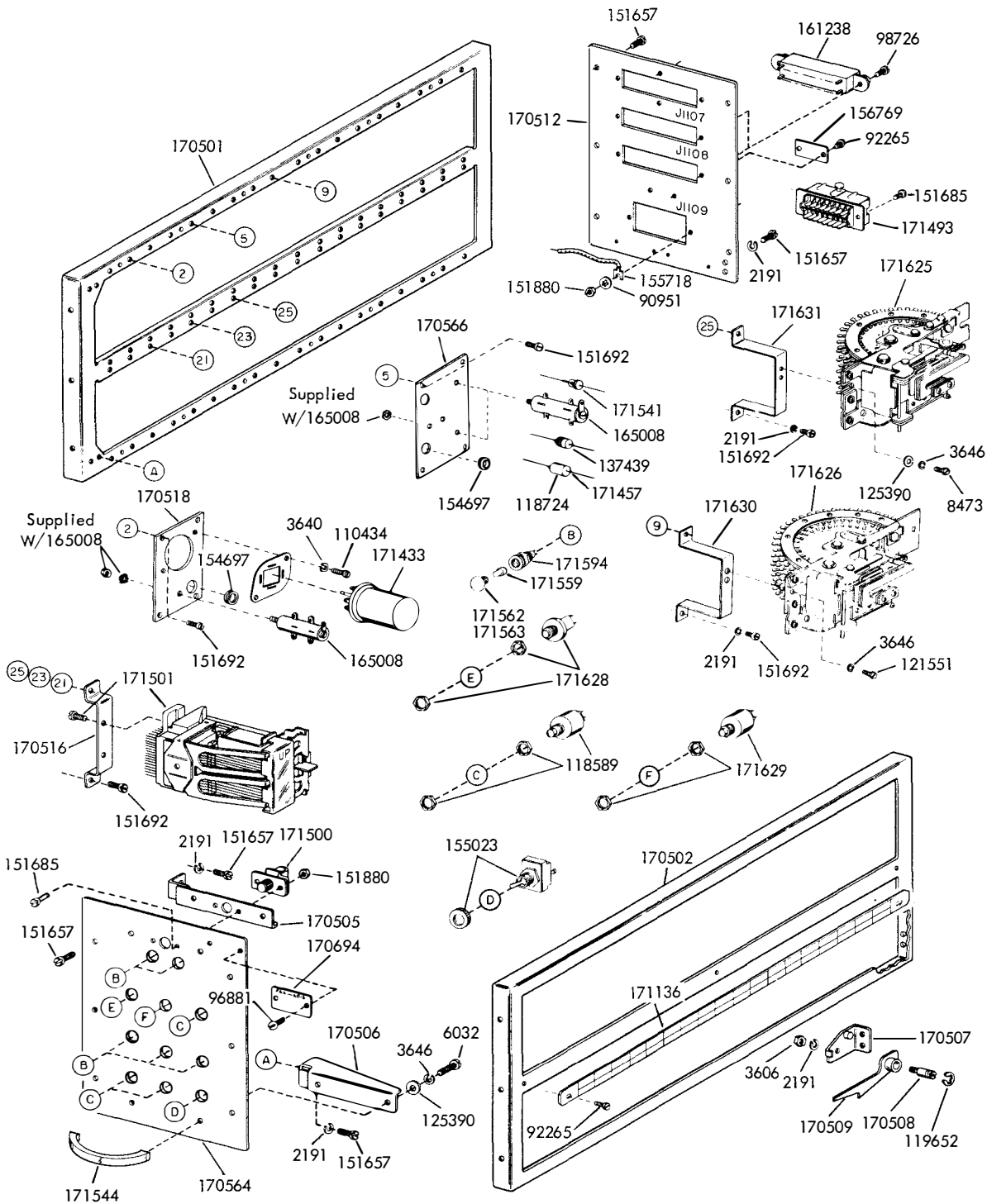
1	2	3	4	5	6	7	8	9	10	11	12	13	14	15	16	17	18
	TB1111		TB1113		TB1101	Z1131			K1109				K1111		K1112		
	TB1112																
19	20	21	22	23	24	25	26	27	28	29	30	31	32	33	34	35	36
	TB1114		TB1116		K1113		K1114		K1115		K1116		TB1117		TB1118		
	TB1115														TB1119		

FIGURE 3-30 170595 AUTO. PROGRAM UNIT H.S. MONITOR - 2 (APUHS MON-2)



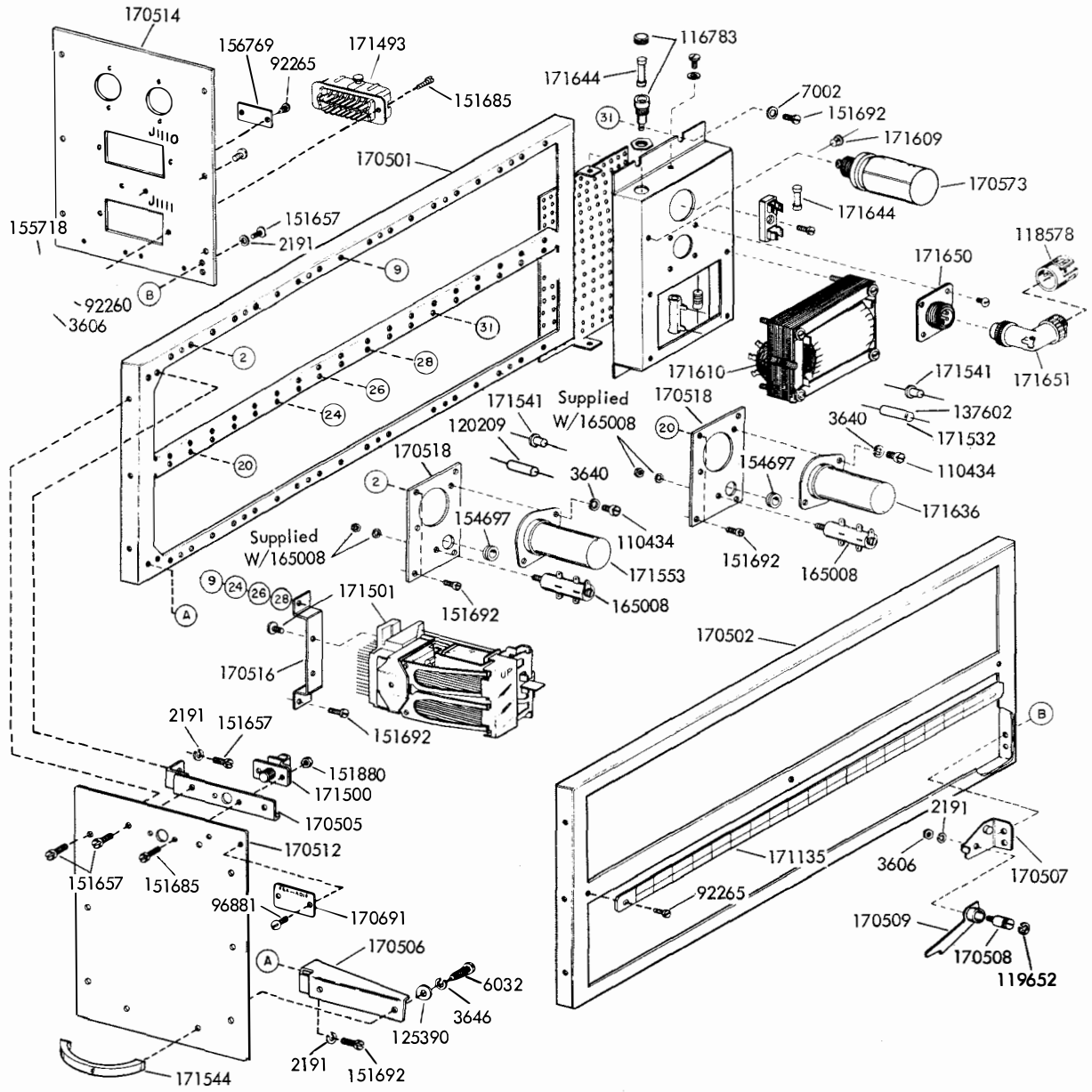
1	2	3	4	5	6	7	8	9	10	11	12	13	14	15	16	17	18
Z1101	Z1102	Z1103	Z1104	Z1105	Z1106	Z1107	Z1108	Z1109	Z1110	Z1111	Z1112	Z1113	Z1114	Z1115			
172350	172400	17372	172384	172331	172359	172332	172419	172359	172384	172400	172400	172442	172449	172449			
19	20	21	22	23	24	25	26	27	28	29	30	31	32	33	34	35	36
		TB1121	Z1117	Z1118	Z1119	Z1120		Z1122	Z1123	Z1124	Z1125	Z1126	Z1127	Z1128	Z1129	Z1130	
		TB1122	172320	172320	172319	172333		172332	172400	172384	172384	172384	172384	172384	172401	172401	

FIGURE 3-31 170597 AUTO. PROGRAM UNIT H.S. - 1 (APUHS 1)



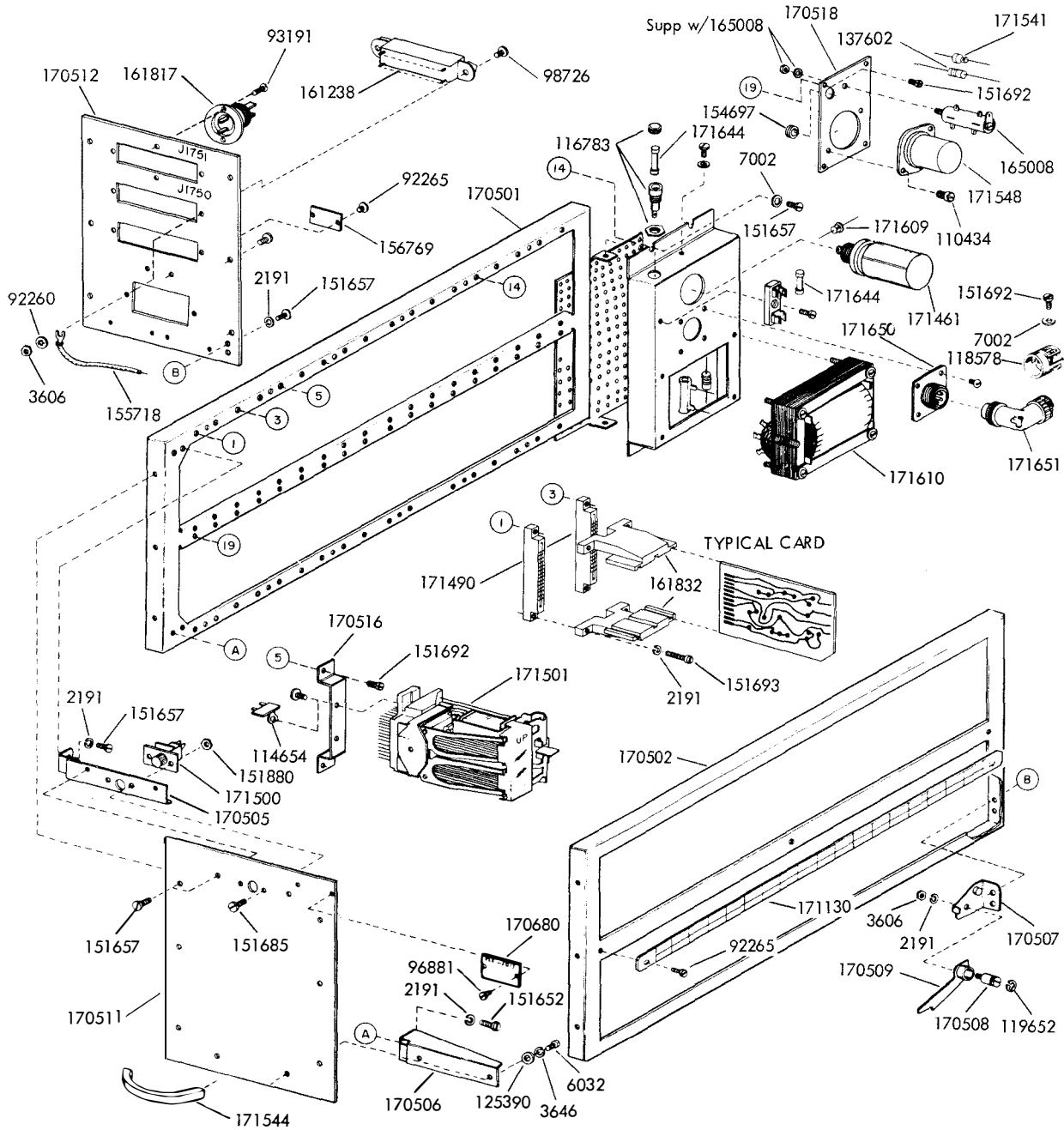
1	2	3	4	5	6	7	8	9	10	11	12	13	14	15	16	17	18
		CH101 TB1124		TB1125		TB1126 TB1127						K1117					
19	20	21	22	23	24	25	26	27	28	29	30	31	32	33	34	35	36
		K1118		K1119		K1120							K1121				

FIGURE 3-32 170598 AUTO. PROGRAM UNIT H.S. - 2 (APUHS 2)



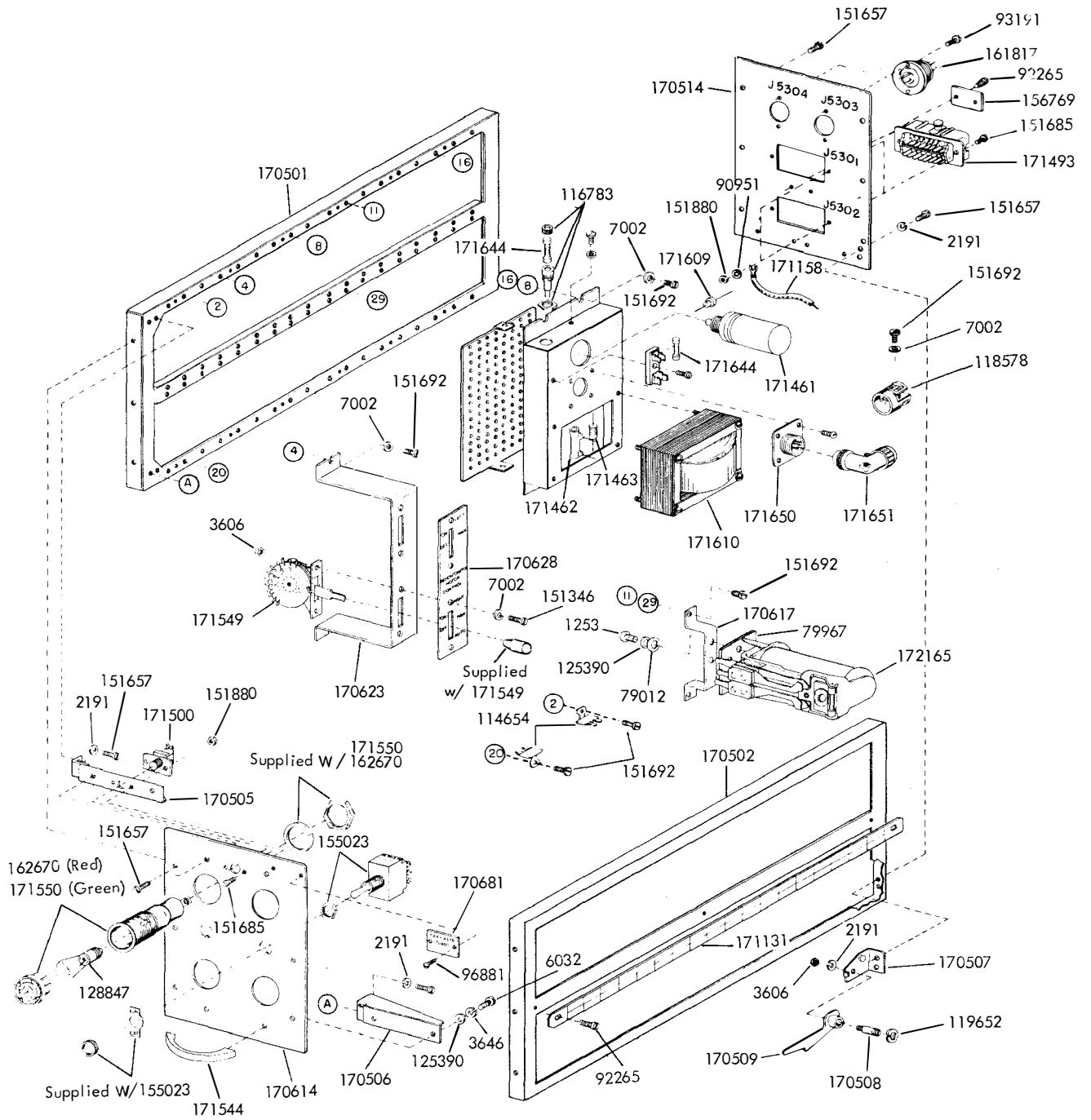
1	2	3	4	5	6	7	8	9	10	11	12	13	14	15	16	17	18
		C 1107 TB 1131						K 1124									
19	20	21	22	23	24	25	26	27	28	29	30	31	32	33	34	35	36
		C 1108 TB 1132			K 1125		K 1126		K 1123			P 1101	Z 1135				

FIGURE 3-33 170599 AUTO. PROGRAM UNIT H.S. - 2 (APUHS 3)



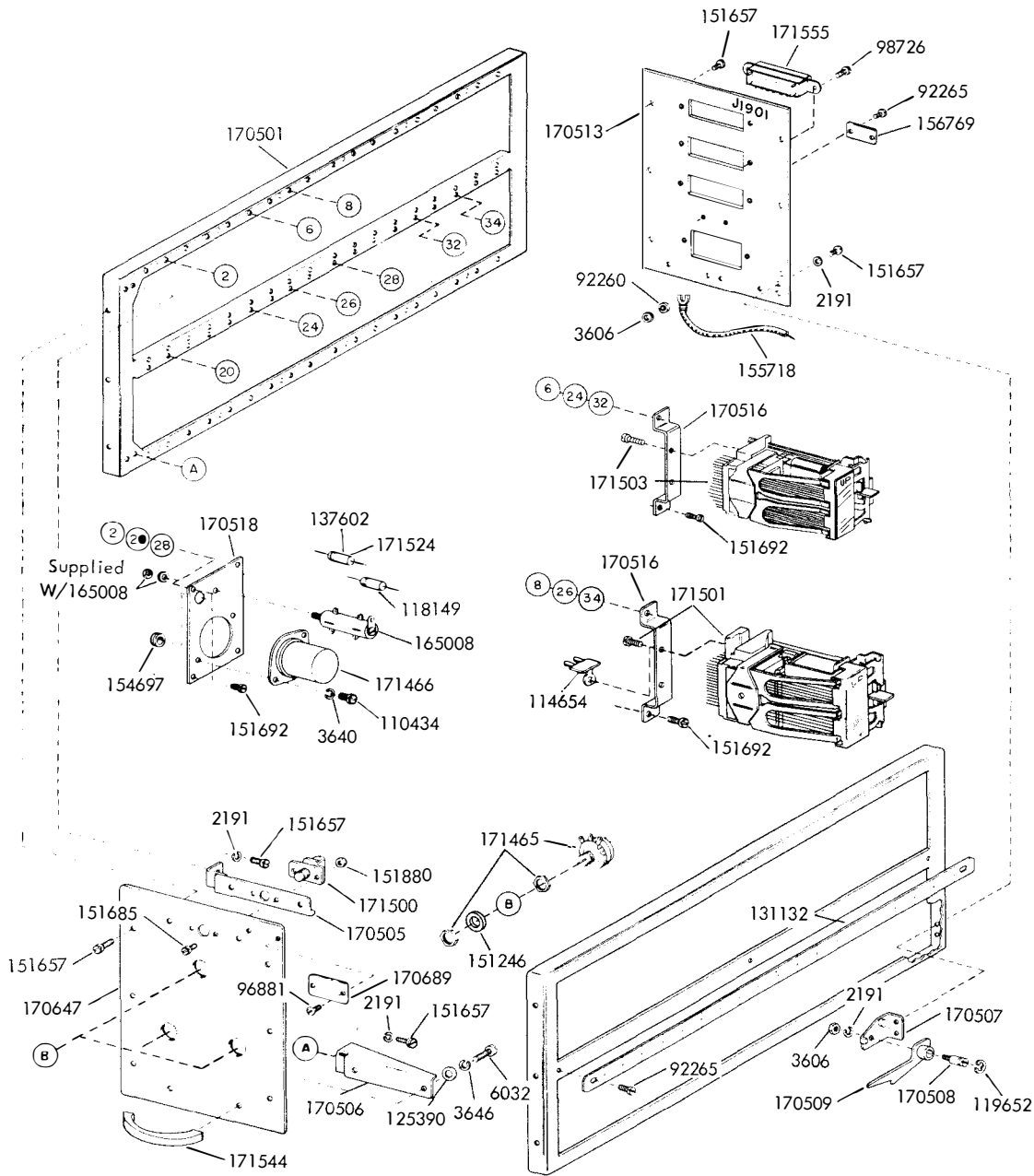
1	2	3	4	5	6	7	8	9	10	11	12	13	14	15	16	17	18
Z1751 I72400		Z1750 I72400		K1750 TBI751									PI752				
19	20	21	22	23	24	25	26	27	28	29	30	31	32	33	34	35	36
	TBI750 CI750													Z1752			

FIGURE 3-34 170600 AUTO. PROGRAM UNIT L. S. START (STAPULS)



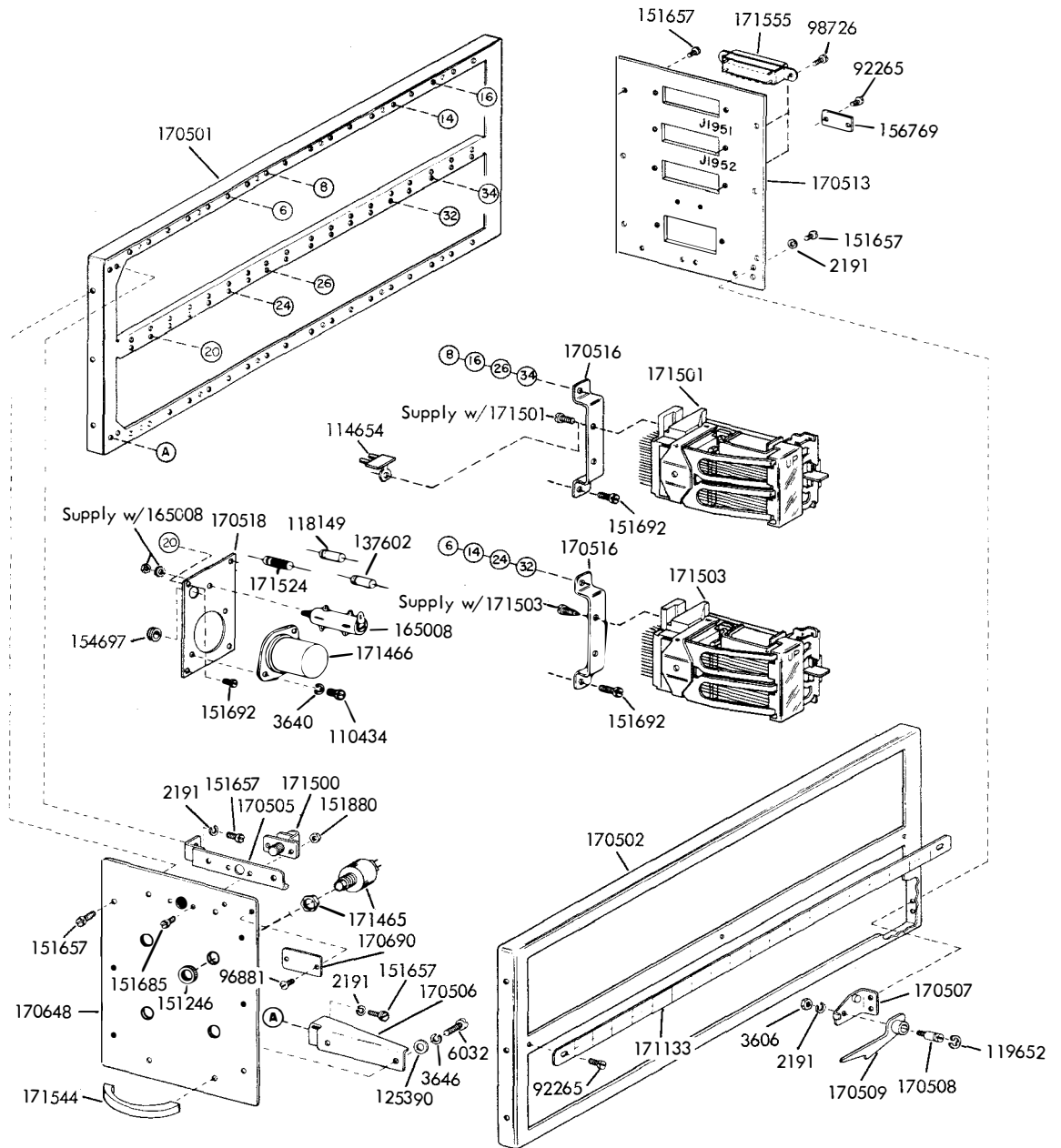
1	2	3	4	5	6	7	8	9	10	11	12	13	14	15	16	17	18
	TB5301		S5303				P5306			K5301					P5305		
19	20	21	22	23	24	25	26	27	28	29	30	31	32	33	34	35	36
	TB5302		S5304			Z5302				K5302				Z5301			

FIGURE 3-35 170601 MOTOR RELAY CONTROL (MOREL)



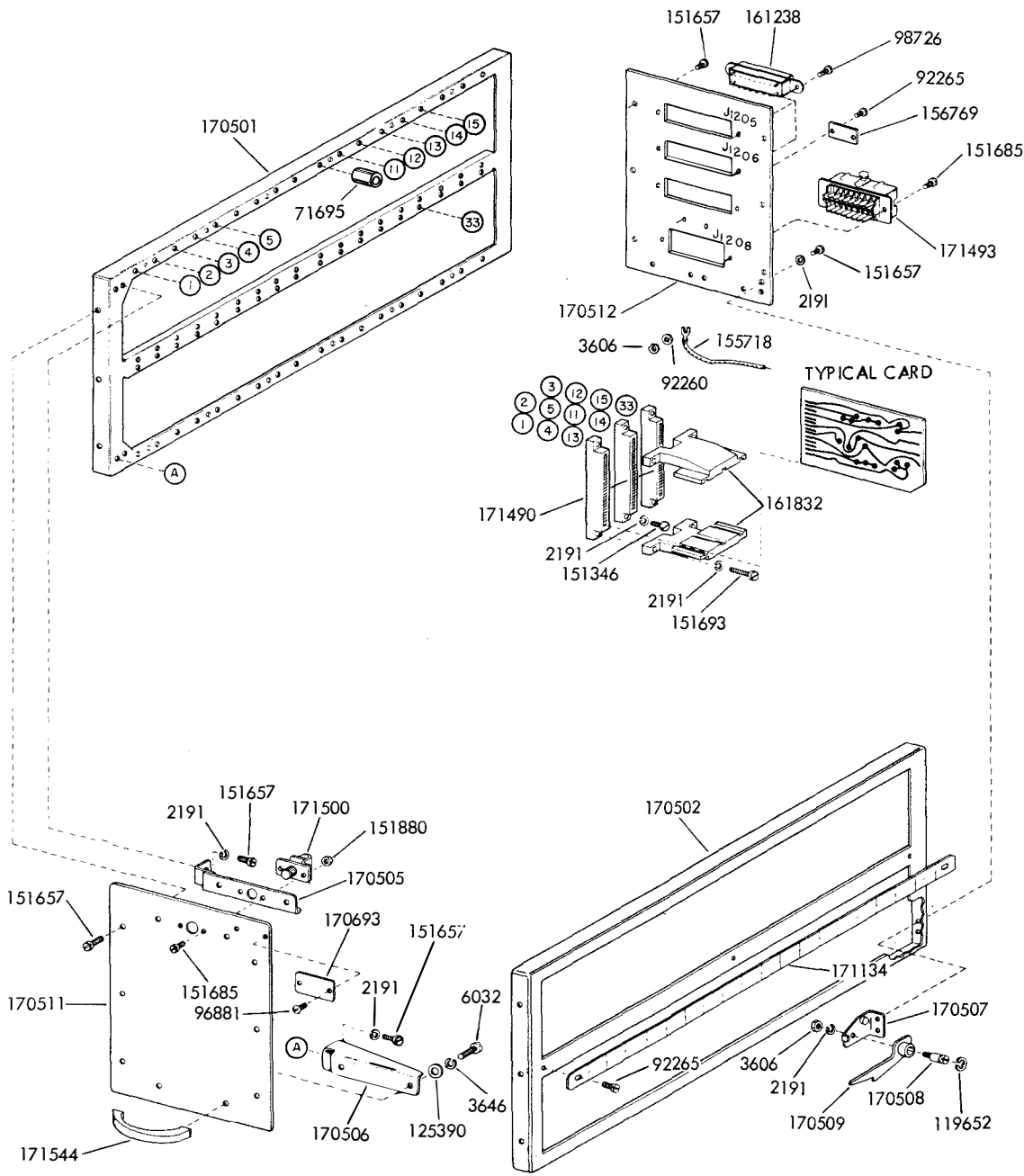
1	2	3	4	5	6	7	8	9	10	11	12	13	14	15	16	17	18
		TB1903 C1903			K1905		TB1906 K1906										
19	20	21	22	23	24	25	26	27	28	29	30	31	32	33	34	35	36
		TB1901 C1901			K1901		TB1904 K1902			TB1902 C1902			K1903		TB1905 K1904		

FIGURE 3-36 170651 LINE-FEED INSERTION PRIMARY (MULIFE-PRIM)



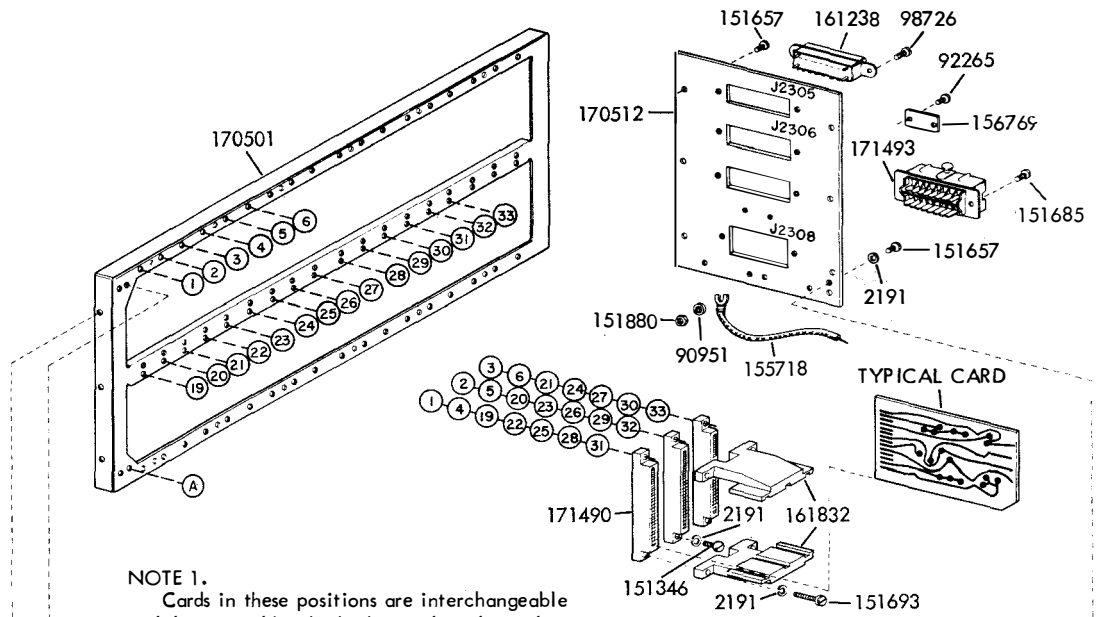
1	2	3	4	5	6	7	8	9	10	11	12	13	14	15	16	17	18
		TB1951 C 1951			K1951		K1952 TB1952			TB1953 C 1952			K 1953		K 1954 TB1954		
19	20	21	22	23	24	25	26	27	28	29	30	31	32	33	34	35	36
		TB1955 C 1953			K1955		K1956 TB1956			TB1957 C 1954			K 1957		K1958 TB1958		

FIGURE 3-37 170652 LINE-FEED INSERTION SUPP. AND R/O (MULIFE - SRO)



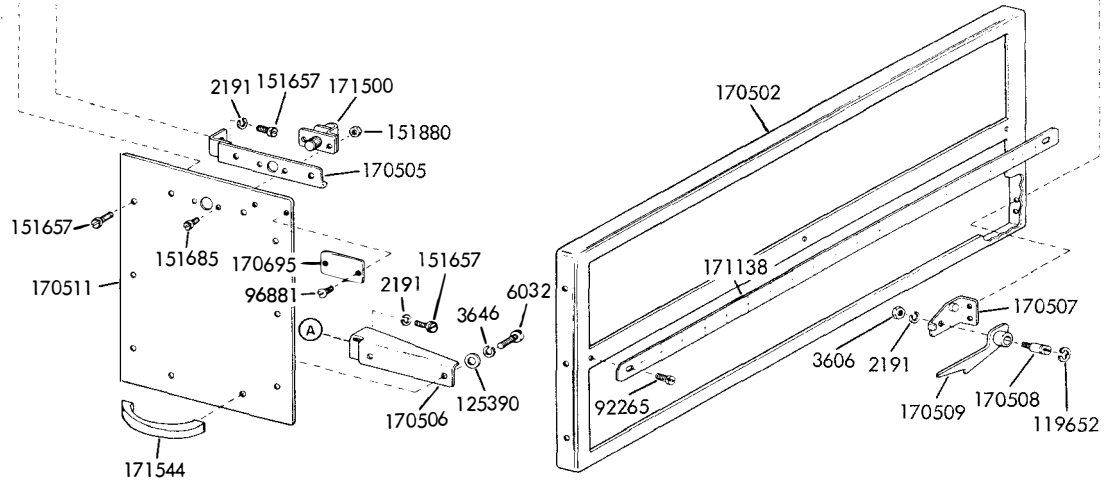
1	2	3	4	5	6	7	8	9	10	11	12	13	14	15	16	17	18
Z1201	Z1202	Z1203	Z1204	Z1205						Z1211	Z1212	Z1213	Z1214	Z1215			
172359	172359	172359	172359	172359						172331	172334	172331	172334	172449			
19	20	21	22	23	24	25	26	27	28	29	30	31	32	33	34	35	36
														Z1231			
														172441			

FIGURE 3-38 171822 MULT - STORAGE T (MULSTO T)



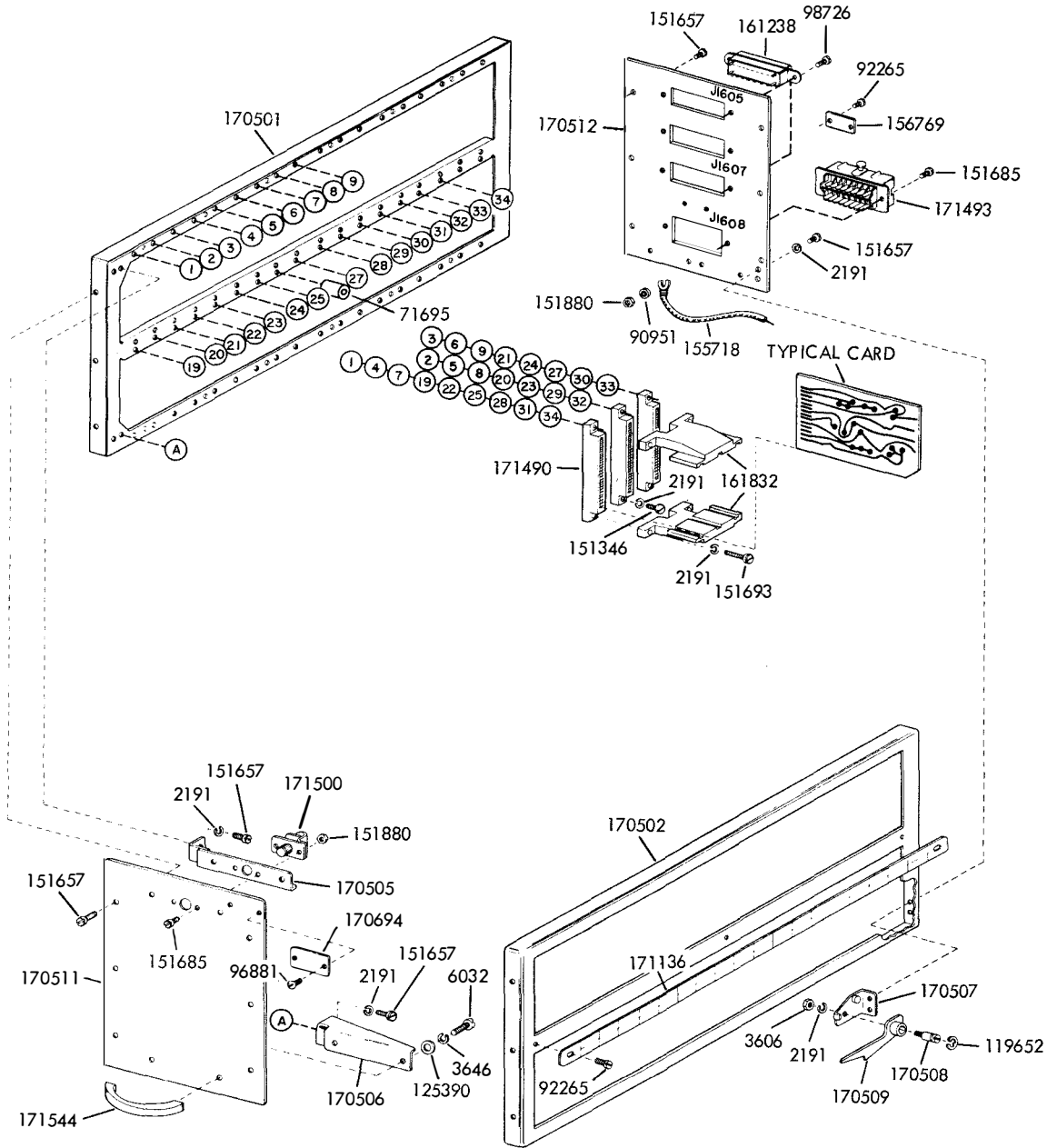
NOTE 1.
Cards in these positions are interchangeable and determined by the high speed reader code. Refer to chart below for card part numbers.

CHARACTER	PART NUMBER	CHARACTER	PART NUMBER
A	172300	O	172314
B	172301	P	172315
C	172302	Q	172316
D	172303	R	172317
E	172304	S	172318
F	172305	T	172410
G	172306	U	172411
H	172307	V	172412
I	172308	W	172413
J	172309	X	172414
K	172310	Y	172415
L	172311	Z	172416
M	172312	LTRS	172417
N	172313	LF	172418



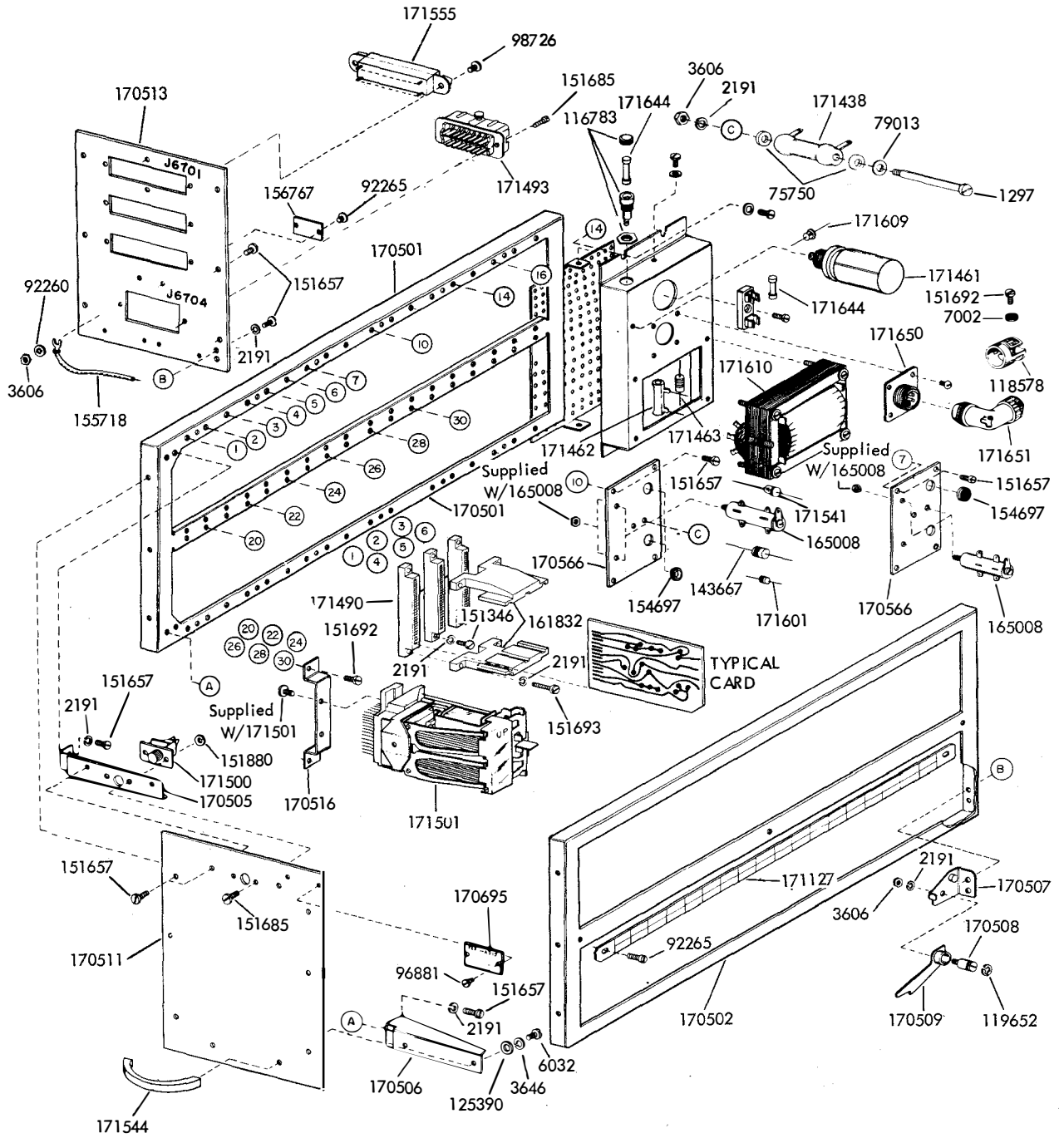
1	2	3	4	5	6	7	8	9	10	11	12	13	14	15	16	17	18
Z2301	Z2302	Z2303	Z2304	Z2305	Z2306	Z2307	Z2308	Z2309									
172411	172478	172478	172479	172359	172359	172359	172375	172372									
19	20	21	22	23	24	25	26	27	28	29	30	31	32	33	34	35	36
Z2317	Z2318	Z2319	Z2320	Z2321	Z2322	Z2323	Z2324	Z2325	Z2326	Z2327	Z2328	Z2329	Z2330	Z2331			
172386	172331	172334	172331	172379	172379	172379	172379	172379	172379	SEE NOTE 1	SEE NOTE 1	SEE NOTE 1	172449	172449			

FIGURE 3-39 172221 S/R CENTER SEQUENCE DETECTOR (S/R SEDET)



1	2	3	4	5	6	7	8	9	10	11	12	13	14	15	16	17	18
Z1601 I72401	Z1602 I72401	Z1603 I72359	Z1604 I72419	Z1605 I72370	Z1606 I72350	Z1607 I72319	Z1608 I72375	Z1609 I72490									
19	20	21	22	23	24	25	26	27	28	29	30	31	32	33	34	35	36
Z1617 I72377	Z1618 I72334	Z1619 I72331	Z1620 I72376	Z1621 I72376	Z1622 I72376	Z1623 I72376		Z1625 I72375	Z1626 I72375	Z1627 I72375	Z1628 I72375	Z1629 I72409	Z1630 I72409	Z1631 I72449	Z1632 I72449		

FIGURE 3-40 172222 READER AUXILIARY AND ANSWER BACK (RAAB)



1	2	3	4	5	6	7	8	9	10	11	12	13	14	15	16	17	18
Z6701	Z6702	Z6703	Z6704	Z6705	Z6706	TB6701		TB6702	TB6703		R6703		P6701				
172419	172470	172368	172333	172431	172449				TB6704				Z6701				
19	20	21	22	23	24	25	26	27	28	29	30	31	32	33	34	35	36
	K6701		K6702		K6703		K6704		K6705		K6706						

FIGURE 3-41 172265 CX CONTROL (CXCO)

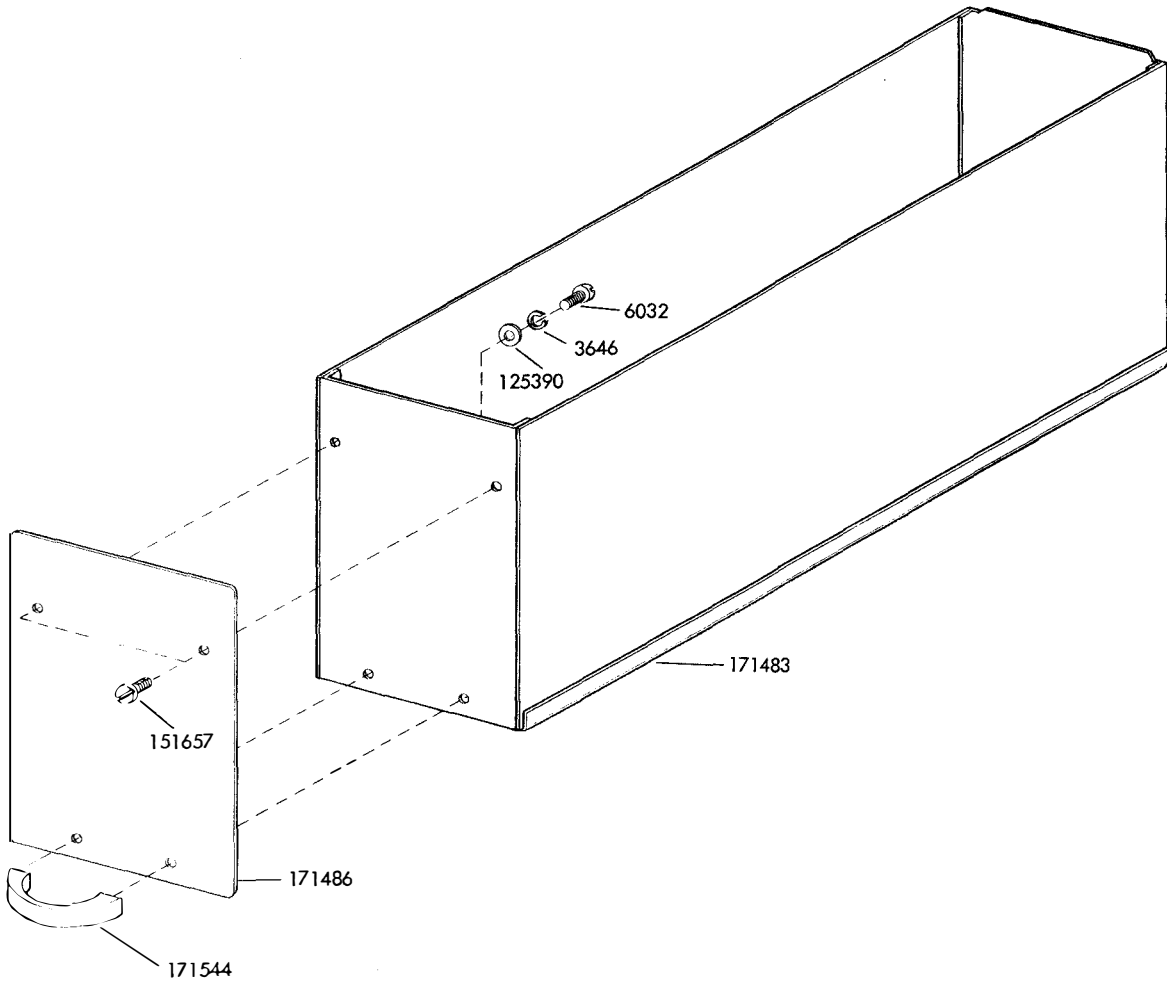


FIGURE 3-42 170739 STORAGE DRAWER

NUMERICAL INDEX - SECTION 3

Part Number	Description and Page Number	Part Number	Description and Page Number	Part Number	Description and Page Number
230M	Magnet 3-16	91684	Nut (15/32 x 32 Ring)	120209	Resistor (1000 ohms) 3-34
1028	Screw (4-40 x 1/4" Fil) 3-5, 3-16		3-10, 3-13, 3-17, 3-34, 3-43	121551	Screw (8-32 x 1/4 Hex) 3-14, 3-34
1248	Screw (6-40 x 1/2" Flat) 3-8, 3-19	91837	Washer, Insulating 3-38, 3-39	124996	Bushing, Insulating 3-14
1253	Screw (8-32 x 3/8" Rd) 3-37	92135	Screw (8-32 x 3/8 Fil) (Used Extensively)	125011	Washer, Flat 3-14
1297	Screw (6-40 x 2-1/2" Fil) 3-8, 3-43	92260	Washer, Shakeproof (Used Extensively)	125138	Terminal 3-15
2191	Washer, Lock(Used Extensively)	92265	Screw (2-56 x 1/8 Fil) (Used Extensively)	125390	Washer, Flat (Used Extensively)
2263	Nut (8-32) 3-7	93191	Screw (4-40 x 5/16 Fil) (Used Extensively)	128847	Lamp 3-37
2438	Washer, Flat 3-16	93984	Washer, Lock 3-14	129403	Resistor (1750 ohm) 3-8
3438	Washer, Flat 3-15	96881	Screw (2-56 x 1/8 Fil) (Used Extensively)	129850	Resistor, Fixed (680 ohm) 3-10, 3-13
3598	Nut (6-40) 3-14		Washer, Lock 3-16	129852	Resistor (2200 ohm) 3-6, 3-17
3606	Nut (6-40)(Used Exten- sively)	98142	Washer, Lock 3-16	129897	Resistor (4700 ohm) 3-13
3640	Washer, Lock (Used Extensively)	98718	Washer, Flat 3-14	137439	Resistor (820 ohm) 3-34
3646	Washer, Lock (Used Extensively)	98726	Screw (3-38 x 1/4 Fil) (Used Extensively)	137440	Resistor(1000 ohm)3-17, 3-30
4814	Washer, Lock 3-14	98819	Knob 3-9	137444	Resistor(8200 ohm)3-3, 3-5
6032	Screw (8-32 x 7/16 Fil) (Used Extensively)	100421	Bushing 3-16	137602	Resistor (470 ohm) 3-17, 3-19, 3-30, 3-36, 3-38, 3-39
6827	Block, Connecting 3-8, 3-19	101786	Spring, Contact 3-16	142966	Resistor (25 ohms) 3-18
7002	Washer, Flat (Used Extensively)	105803	Switch, Toggle 3-9	143667	Resistor (3900 ohms) 3-43
8473	Screw (8-40 x 5/16 Hex) 3-34	110181	Screw (4-40 x 5/16 Fil) 3-26	144216	Terminal, Insulated 3-8
31636	Spring 3-14	110434	Screw (4-40 x 3/16 Fil) (Used Extensively)	150982	Screw (4-40 x 7/16 Fil) 3-16
41732	Plate 3-14, 3-16	110435	Nut (4-40) 3-14	151073	Screw (4-40 x 5/32 Fil) 3-14, 3-16
41974	Spring 3-15	113039	Post, Spring 3-15	151152	Screw (4-40 x 3/16 Fil) 3-14, 3-16
45815	Washer, Lock 3-13	114654	Board, Terminal 3-18 to 3-20, 3-30, 3-36 to 3-39	151246	Washer, Flat 3-38, 3-39
49514	Nut (8-32) (Used Extensively)	116783	Holder, Fuse 3-9	151346	Screw (6-40 x 3/8 Fil) (Used Extensively)
70497	Nut (5/16 x 32) 3-14	118144	Resistor (2700 ohms) 3-33	151422	Receptacle, Connector 3-32
71695	Spacer 3-10, 3-12, 3-21, 3-23, 3-25, to 3-30, 3-33, 3-40, 3-42	118146	Resistor (4700 ohm) 3-17, 3-33	151630	Screw (6-40 x 1/4 Fil) 3-15
72579	Washer, Flat 3-14	118149	Resistor (100,000 ohm) 3-4, 3-9, 3-38, 3-39	151631	Screw (6-40 x 5/16 Fil) 3-15
75750	Washer, Bakelite 3-8, 3-43	118186	Resistor (5600 ohm) 3-30	151632	Screw (6-40 x 3/8 Hex) 3-14, 3-16
79012	Washer, Shoulder 3-37	118578	Clamp, Cable 3-4, 3-7, 3-35, 3-37	151651	Screw (6-40 x 1/4 Fil) 3-19
79013	Washer, Flat 3-8, 3-43	118589	Switch, Push 3-4, 3-10, 3-30	151657	Screw (6-40 x 1/4 Fil) (Used Extensively)
79967	Insulator 3-37	118720	Resistor (100,000 ohm) 3-7, 3-31, 3-32	151685	Screw (4-40 x 5/16 Fil) (Used Extensively)
81726	Terminal 3-14, 3-16	118724	Resistor (220 ohm) 3-34	151692	Screw (6-40 x 3/16 Fil) (Used Extensively)
82516	Spring, Retaining 3-8, 3-19	119218	Resistor (3500 ohm) 3-8	151693	Screw (6-40 x 9/16 Fil) (Used Extensively)
82548	Insulator 3-14, 3-16	119647	Ring, Retaining 3-15	151722	Screw (6-40 x 3/16 Hex) 3-14
84490	Screw (6-40 x 1/4 Flat) 3-8, 3-14, 3-19	119649	Ring, Retaining 3-16	151880	Nut (4-40)(Used Extensively)
86774	Screw, Shoulder (6-40) 3-14	119652	Ring, Retaining 3-3 to 3-13, 3-17 to 3-43	152124	Spacer 3-8, 3-19
90033	Stiffener 3-16	119717	Spring, Contact 3-16	152893	Screw (4-40 x 1/4 Hex)3-13
90517	Spring 3-15	120124	Resistor (33,000 ohm) 3-9		
90951	Washer, Shakeproof 3-10	120139	Fuse (1 amp) 3-9		
		120166	Fuse (2 amp) 3-9		

NUMERICAL INDEX - SECTION 3 (Continued)

Part Number	Description and Page Number	Part Number	Description and Page Number	Part Number	Description and Page Number
153441	Screw (10-32 x 7/16 Hex) 3-13	170507	Bracket W/Pin 3-3 to 3-13, 3-17 to 3-43	170657	Plate, Identification 3-7
154697	Grommet, Rubber 3-4 to 3-8, 3-10, 3-13, 3-17 to 3-19, 3-30 to 3-36, 3-38, 3-39, 3-43	170508	Post, Supporting 3-3 to 3-13, 3-17 to 3-43	170658	Plate, Identification 3-4
155023	Switch, Toggle 3-3, 3-4, 3-5, 3-37	170509	Latch W/Hub 3-3 to 3-13, 3-17 to 3-43	170659	Plate, Identification 3-3
155406	Screw (4-40 x 15/32) 3-14	170511	Plate, Front 3-33, 3-36	170660	Plate, Identification 3-21
155718	Wire Assembly W/151626 Terminal 3-3 to 3-8, 3-10 to 3-13, 3-17 to 3-43	170512	Plate, Rear 3-8, 3-10 to 3-13, 3-17, 3-21 to 3-27, 3-29, 3-32, 3-34, 3-35, 3-40 to 3-42	170661	Plate, Identification 3-22
156537	Armature 3-15	170513	Plate, Rear 3-3 to 3-7, 3-18 to 3-20, 3-28, 3-30, 3-38, 3-39, 3-43	170662	Plate, Identification 3-24
156558	Washer, Felt 3-16	170514	Plate, Rear 3-31, 3-37	170663	Plate, Identification 3-27
156575	Shaft, Eccentric 3-15	170516	Bracket, Relay 3-3 to 3-7, 3-18 to 3-20, 3-30	170664	Plate, Identification 3-23
156740	Screw (6-40 x 7/32 Hex) 3-15, 3-16	170517	Bracket, Relay 3-4, 3-7, 3-18	170665	Plate, Identification 3-25
156769	Plate, Teletype 3-3 to 3-8, 3-10 to 3-13, 3-17 to 3-43	170518	Plate, Mounting 3-4, 3-7, 3-17, 3-19, 3-30, 3-34, 3-36, 3-38, 3-39	170666	Plate, Identification 3-26
156880	Strap 3-15	170519	Bracket, Mounting 3-10, 3-18	170667	Plate, Identification 3-28
156881	Strap 3-15	170520	Bracket, Mounting 3-8, 3-19	170668	Plate, Identification 3-29
158816	Spring W/Contact 3-14	170521	Plate, Front 3-30	170669	Plate, Identification 3-11
159542	Connector, Receptacle 3-9	170550	Plate, Front 3-10	170670	Plate, Identification 3-12
159976	Armature 3-16	170552	Bracket, Mounting 3-12, 3-17	170671	Plate, Identification 3-10
159977	Hinge 3-16	170553	Bracket, Mounting 3-10	170672	Plate, Identification 3-13
161238	Receptacle, Female 3-8, 3-10 to 3-12, 3-17, 3-21, 3-23 to 3-27, 3-29, 3-35, 3-36, 3-40 to 3-42	170554	Bracket, Mounting 3-13	170673	Plate, Identification 3-8
161817	Connector, Plug 3-4, 3-7, 3-13, 3-18, 3-20, 3-36	170555	Plate, Front 3-13	170674	Plate, Identification 3-43
161832	Bracket, Guide 3-10 to 3-12, 3-17, 3-18, 3-21 to 3-30, 3-33, 3-40 to 3-43	170556	Resistor, Fixed (300 ohms) 3-9	170675	Plate, Identification 3-17
162361	Rectifier (500 Mil) 3-10	170557	Diode, Zenner 3-9	170676	Plate, Identification 3-18
162670	Light, Pilot Assembly (Red) 3-37	170564	Plate, Front 3-34	170677	Plate, Identification 3-19
162678	Contact Assembly 3-8, 3-19	170565	Plate, Front 3-43	170678	Plate, Identification 3-20
162855	Spacer 3-8, 3-19	170566	Plate, Mounting 3-3 to 3-8, 3-13, 3-43	170679	Plate, Identification 3-30
165008	Turret, Terminal 3-3 to 3-8, 3-10, 3-13, 3-17 to 3-19, 3-30 to 3-36, 3-38, 3-39, 3-43	170573	Power Supply (48 Volt DC) 3-4, 3-7, 3-20, 3-35 to 3-37, 3-43	170680	Plate, Identification 3-36
165027	Network 3-4, 3-7, 3-10, 3-18, 3-19	170614	Plate, Front 3-37	170681	Plate, Identification 3-37
165130	Transformer 3-32	170617	Bracket 3-37	170682	Plate, Identification 3-31
170501	Frame, Left 3-3 to 3-8, 3-10 to 3-13, 3-17 to 3-43	170622	Plate, Front 3-21, 3-22	170683	Plate, Identification 3-32
170502	Frame, Right 3-3 to 3-8, 3-10 to 3-13, 3-17 to 3-43	170623	Bracket 3-37	170685	Plate, Identification 3-33
170505	Gusset, Upper 3-3 to 3-8, 3-10 to 3-13, 3-17 to 3-43	170628	Plate 3-37	170686	Plate, Identification 3-34
170506	Gusset, Lower 3-3 to 3-8, 3-10 to 3-13, 3-17 to 3-43	170647	Plate, Front 3-38	170687	Plate, Identification 3-5
		170648	Plate, Front 3-39	170688	Plate, Identification 3-6
		170649	Plate, Mounting 3-18, 3-30	170689	Plate, Identification 3-38
		170653	Plate, Front 3-20	170690	Plate, Identification 3-39
				170691	Plate, Identification 3-35
				170692	Plate, Identification 3-9
				170693	Plate, Identification 3-40
				170694	Plate, Identification 3-42
				170695	Plate, Identification 3-41
				170736	Plate, Front 3-7
				170737	Plate, Front 3-5
				170738	Plate, Front 3-6
				170740	Bail, Armature (Left) 3-16
				170741	Bail, Armature (Right) 3-16
				170742	Bail, Armature (Right) 3-16
				170743	Bail, Armature (Left) 3-16
				170744	Contact Assembly, Upper 3-16
				170745	Contact Assembly, Lower 3-16
				170746	Contact Assembly, Upper 3-16
				170747	Contact Assembly, Lower 3-16

NUMERICAL INDEX - SECTION 3 (Continued)

Part Number	Description and Page Number	Part Number	Description and Page Number	Part Number	Description and Page Number
170810	Differential Message Counter Assembly 3-14	170941	Detent W/Post 3-15	171443	Rheostat (10 ohms) 3-9
170839	Solenoid Assembly 3-14	170943	Roller 3-14	171444	Resistor (42.2K ohm) 3-9
170842	Spring W/Contact 3-14	170944	Bracket, Left 3-16	171445	Capacitor (47 MFD) 3-6, 3-9
170845	Base 3-14	170945	Bracket, Right 3-16	171446	Resistor (120 ohms) 3-9
170846	Plate 3-14	170946	Shaft 3-15	171447	Switch, Rotary 3-9
170847	Post 3-14	170947	Bracket 3-16	171448	Resistor (10 ohms) 3-9
170848	Post 3-14	170948	Shaft 3-16	171449	Voltmeter 3-9
170848	Shaft 3-14	170949	Bracket, Stop 3-15	171450	Capacitor (.5 MFD) 3-9
170849	Wheel, Feed 3-14	170994	Wheel, Hand 3-14	171451	Capacitor (3,500 MFD) 3-9
170851	Disc 3-14	171100	Strip, Identification 3-3	171452	Capacitor (11,500 MFD) 3-9
170852	Bracket, Contact 3-14	171101	Strip, Identification 3-4	171453	Capacitor (6,200 MFD) 3-9
170853	Spring, Detent 3-14	171102	Strip, Identification 3-5	171454	Capacitor (48,000 MFD) 3-9
170855	Bearing 3-14	171103	Strip, Identification 3-6	171455	Capacitor (47 MFD) 3-9
170856	Pawl, Feed 3-14	171104	Strip, Identification 3-7	171456	Resistor (560 ohm) 3-4, 3-7
170857	Shaft W/Gear 3-14	171105	Strip, Identification 3-8	171457	Capacitor (1 MFD) 3-34
170858	Shaft 3-14	171106	Strip, Identification 3-10	171464	Capacitor (60 MFD) 3-30
170859	Shaft W/Gear 3-14	171107	Strip, Identification 3-11	171465	Potentiometer W/Switch 3-38, 3-39
170860	Pointer 3-14	171108	Strip, Identification 3-12	171466	Capacitor (300 MFD) 3-38, 3-39
170861	Bracket 3-14	171109	Strip, Identification 3-13	171467	Capacitor (200 MFD) 3-4, 3-7, 3-17
170862	Gear, Bevel (24T) 3-14	171111	Strip, Identification 3-17	171483	Plate, Front 3-44
170900	37 Unit Counter Assembly 3-15, 3-16	171112	Strip, Identification 3-18	171486	Container, Cable 3-44
170901	Ratchet W/Bearing 3-15	171113	Strip, Identification 3-19	171490	Connector 3-10 to 3-12, 3-17, 3-18, 3-21 to 3-30, 3-33, 3-36, 3-40 to 3-43
170902	Bearing, Mounting 3-13	171114	Strip, Identification 3-20	171493	Receptical, Male 3-10 to 3-13, 3-17, 3-21 to 3-35, 3-37, 3-40 to 3-43
170903	Bracket, Mounting 3-13	171115	Strip, Identification 3-21	171495	Relay 3-4, 3-7
170905	Bracket W/Stud 3-16	171117	Strip, Identification 3-23	171500	Fastener 3-3 to 3-13, 3-17 to 3-43
170906	Bracket W/Stud 3-16	171118	Strip, Identification 3-24	171501	Relay 3-3 to 3-7, 3-17, 3-18, 3-30 to 3-33, 3-34 to 3-36, 3-38, 3-39, 3-43
170907	Plate, Adjusting 3-16	171119	Strip, Identification 3-25	171502	Relay 3-18, 3-19
170908	Plate, Adjusting 3-16	171120	Strip, Identification 3-26	171503	Relay 3-3 to 3-8, 3-10 to 3-13, 3-17 to 3-43
170909	Feed Magnet Assembly 3-15	171121	Strip, Identification 3-27	171506	Relay 3-18
170910	Magnet Assembly, Upper 3-16	171122	Strip, Identification 3-28	171507	Relay 3-18
170911	Magnet Assembly, Upper 3-16	171123	Strip, Identification 3-29	171511	Relay 3-18
170912	Magnet Assembly, Lower 3-16	171124	Strip, Identification 3-30	171512	Relay 3-19
170913	Magnet Assembly, Lower 3-16	171125	Strip, Identification 3-31	171516	Relay 3-18
170914	Shaft 3-15	171126	Strip, Identification 3-32	171519	Capacitor (200 MFD) 3-18, 3-30
170915	Plate, Reset 3-15	171127	Strip, Identification 3-43	171521	Resistor (100 ohm) 3-18
170917	Pin, Detent 3-15	171128	Strip, Identification 3-33		
170918	Spring, Tension 3-15	171130	Strip, Identification 3-36		
170919	Spring, Tension 3-15	171131	Strip, Identification 3-37		
170921	Lever W/Hub 3-15	171132	Strip, Identification 3-38		
170922	Lever W/Hub 3-15	171133	Strip, Identification 3-39		
170925	Lever W/Hub 3-15	171134	Strip, Identification 3-40		
170926	Lever W/Hub 3-15	171135	Strip, Identification 3-35		
170927	Bracket, Contact 3-16	171136	Strip, Identification 3-42		
170928	Bracket, Contact 3-16	171138	Strip, Identification 3-41		
170929	Plate W/Posts, Front 3-15	171420	Plate, Front 3-19		
170930	Plate W/Posts, Rear 3-15	171433	Capacitor (15 MFD) 3-34		
170933	Bail, Armature 3-15	171434	Resistor (2250 ohms) 3-13		
170934	Bracket 3-15	171435	Plate, Identification 3-31, 3-32		
170935	Pawl, Feed 3-15	171437	Capacitor (400-400 MFD) 3-30		
170939	Screw, Eccentric 3-15	171438	Resistor (25 ohms) 3-43		
170940	Bracket, Guide 3-15	171440	Capacitor (10,000 MFD) 3-9		
		171442	Rheostat (2 ohms) 3-9		

NUMERICAL INDEX - SECTION 3 (Continued)

Part Number	Description and Page Number	Part Number	Description and Page Number	Part Number	Description and Page Number
171522	Resistor (400 ohm) 3-18, 3-31, 3-32	171622	Holder, Lamp 3-4, 3-7, 3-31, 3-32	172347	Circuit Board Assembly 3-21, 3-22, 3-25
171523	Resistor (500 ohm) 3-4, 3-7, 3-18	171623	Cartridge, Lamp 3-31, 3-32	172349	Circuit Board Assembly 3-21, 3-22
171524	Resistor (700 ohm) 3-18, 3-38, 3-39	171624	Cartridge, Lamp 3-4, 3-7, 3-9	172350	Circuit Board Assembly 3-27, 3-33, 3-42
171525	Resistor (1000 ohm) 3-18	171625	Switch, Selector 3-34	172359	Circuit Board Assembly 3-10 to 3-12, 3-17, 3-21 to 3-25, 3-27, 3-33, 3-40 to 3-42
171526	Resistor (1500 ohm) 3-19	171626	Switch, Selector 3-34	172368	Circuit Board Assembly 3-12, 3-44
171527	Resistor (200 ohm) 3-30	171627	Bracket, Mounting 3-32	172369	Circuit Board Assembly 3-11
171528	Resistor (10,000 ohm) 3-10	171628	Switch, Push 3-17, 3-34	172370	Circuit Board Assembly 3-22, 3-27, 3-42
171529	Resistor (5,000 ohm) 3-13, 3-19	171629	Switch, Push 3-34, 3-43	172371	Circuit Board Assembly 3-12
171532	Resistor (500 ohm) 3-35	171630	Bracket, Switch 3-34	172372	Circuit Board Assembly 3-11, 3-23, 3-33, 3-41
171541	Diode, Silicon 3-3 to 3-7, 3-12, 3-17, 3-30, 3-31, 3-34 to 3-36	171632	Holder, Card 3-19, 3-20, 3-32	172374	Circuit Board Assembly 3-12, 3-22
171542	Capacitor (80-1500 MFD) 3-19, 3-30	171633	Window, Transparent 3-19, 3-20, 3-32	172375	Circuit Board Assembly 3-21, 3-25, 3-27, 3-41, 3-42
171544	Handle 3-3 to 3-13, 3-17 to 3-43	171634	Plate, Front 3-31	172376	Circuit Board Assembly 3-27, 3-42
171547	Relay 3-37	171635	Plate, Front 3-32	172377	Circuit Board Assembly 3-27, 3-42
171548	Capacitor (200 MFD) 3-36	171636	Capacitor (1000 MFD - 15 MFD) 3-35	172378	Circuit Board Assembly 3-27, 3-42
171549	Switch 3-37	171641	Fuse (6 amp) 3-9	172379	Circuit Board Assembly 3-23, 3-25, 3-41
171550	Light, Pilot Assembly (Green) 3-37	171642	Fuse (1.6 amp) 3-9	172380	Circuit Board Assembly 3-30
171553	Capacitor (1800 MFD) 3-30, 3-35	171651	Plug, Female 3-4, 3-7, 3-20, 3-35 to 3-37	172381	Circuit Board Assembly 3-21, 3-30
171555	Receptical, Female 3-3 to 3-7, 3-18 to 3-20, 3-38, 3-30, 3-38, 3-39, 3-43	171658	Fuse (3 amp) 3-9	172384	Circuit Board Assembly 3-33
171559	Bulb, Lamp 3-4, 3-7, 3-10, 3-13, 3-20, 3-22, 3-30, 3-34	171670	Switch, Toggle 3-13	172386	Circuit Board Assembly 3-23, 3-25, 3-41
171560	Lens, Lamp (Red) 3-10, 3-13	171675	Connector, Receptacle 3-9	172387	Circuit Board Assembly 3-17, 3-27
171561	Lens, Lamp (Blue) 3-10, 3-21, 3-22	171676	Receptacle, Outlet 3-9	172388	Circuit Board Assembly 3-17
171562	Lens, Lamp (Green) 3-4, 3-10, 3-13, 3-20, 3-30, 3-34	171677	Buzzer 3-32	172390	Circuit Board Assembly 3-12
171653	Lens, Lamp (Amber) 3-10, 3-34	171823	Plate, Front 3-17	172396	Circuit Board Assembly 3-17
171568	Socket, Relay 3-11, 3-12	171824	Clamp 3-32	172398	Circuit Board Assembly 3-26
171569	Relay 3-12, 3-17	172123	Card 3-19	172400	Circuit Board Assembly 3-12, 3-30, 3-33, 3-36
171580	Resistor (470 ohm) 3-10, 3-34, 3-35	172124	Card 3-20	172401	Circuit Board Assembly 3-22, 3-27, 3-33, 3-42
171590	Capacitor (3 MFD) 3-9	172125	Plate, Front 3-3	172409	Circuit Board Assembly 3-27, 3-42
171594	Socket, Lamp 3-4, 3-7, 3-13, 3-20, 3-22, 3-30, 3-34	172126	Plate, Front 3-4		
171601	Diode 3-43	172319	Circuit Board Assembly 3-27, 3-42		
171612	Diode, Rectifier 3-9	172320	Circuit Board Assembly 3-33		
171613	Diode, Rectifier 3-9	172329	Circuit Board Assembly 3-12, 3-25		
171614	Diode, Zenner 3-9	172331	Circuit Board Assembly 3-23, 3-24, 3-27, 3-33, 3-40, 3-42		
171615	Diode, Rectifier 3-9	172332	Circuit Board Assembly 3-12, 3-22, 3-33		
		172333	Circuit Board Assembly 3-12, 3-22, 3-25, 3-33, 3-44		
		172334	Circuit Board Assembly 3-23, 3-24, 3-27, 3-40, 3-41, 3-42		
		172335	Circuit Board Assembly 3-12, 3-17		
		172345	Circuit Board Assembly 3-28		

NUMERICAL INDEX - SECTION 3 (Continued)

Part Number	Description and Page Number	Part Number	Description and Page Number	Part Number	Description and Page Number
172419	Circuit Board Assembly 3-10, 3-11, 3-17, 3-27, 3-30, 3-33, 3-43	172449	3-26 Circuit Board Assembly 3-10 to 3-12, 3-17, 3-21, 3-23 to 3-30, 3-33, 3-40, 3-43	172474	3-21, 3-22 Circuit Board Assembly 3-22, 3-25
172421	Circuit Board Assembly 3-25	172459	Circuit Board Assembly 3-18	172475	Circuit Board Assembly 3-21, 3-22
172429	Circuit Board Assembly 3-12, 3-17	172460	Circuit Board Assembly 3-18	172478	Circuit Board Assembly 3-23, 3-25, 3-41
172430	Circuit Board Assembly 3-21	172461	Circuit Board Assembly 3-18	172479	Circuit Board Assembly 3-23, 3-29, 3-41
172431	Circuit Board Assembly 3-12, 3-17, 3-44	172462	Circuit Board Assembly 3-10	172480	Circuit Board Assembly 3-30
172433	Circuit Board Assembly 3-27	172469	Circuit Board Assembly 3-17, 3-22, 3-25	172490	Circuit Board Assembly 3-22, 3-27, 3-33, 3-42
172438	Circuit Board Assembly 3-25	172470	Circuit Board Assembly 3-43, 3-44	172491	Circuit Board Assembly 3-17
172439	Circuit Board Assembly 3-11, 3-12, 3-21, 3-22	172471	Circuit Board Assembly 3-12, 3-29, 3-41	172492	Circuit Board Assembly 3-17
172442	Circuit Board Assembly 3-30, 3-33, 3-36	172473	Circuit Board Assembly	172493	Circuit Board Assembly 3-11
172448	Circuit Board Assembly				



1179B

SECTION 4
MASTER INDEX

NUMERICAL INDEX

Part Number	Page	Part Number	Page	Part Number	Page	Part Number	Page
230M	3-16	70886	Used Extensively	93191	(Used Extensively)	116112	1-2
1020	1-13	71266	1-2, 1-4, 1-5	93984	3-14	116113	1-2
1027	1-20	71695	3-10, 3-12,	94565	1-7	116114	1-2
1028	3-5, 3-16		3-21 to 3-23,	95002	1-5	116115	1-2
1033	1-11		3-25 to 3-30,	95090	1-13	116116	1-2
1038	1-9		3-33, 3-40, 3-42	95841	1-5	116190**	1-2
1147	1-2	71858	1-24, 1-25	96881	(Used Extensively)	116698	1-10
1179	1-23	72579	3-14	97296	1-2	116783	1-23, 3-9
1208	2-2	72655	1-9, 1-23	97393	1-15, 1-18	116930**	1-13
1248	1-7, 1-9, 2-2,	73776	1-6	97799	2-2	117360	1-2
	3-8, 3-19	74687	1-21	98142	2-2, 3-16	117535	1-4, 2-2
1253	1-8, 1-9, 3-37,	74805	1-19	98642	1-2, 2-2	117541	1-19
1297	3-8, 3-43	74807	1-2, 1-8,	98718	3-14	117608	1-2
2191	Used Extensively		1-9, 1-13	98726	(Used Extensively)	117741	1-5
2263	1-23, 3-7	75231	1-9	98819	3-9	117742	1-5
2438	3-16	75750	1-9, 1-23,	99802	1-9	117743	1-6
2449	1-15, 1-18,		3-8, 3-43	99803	1-9	117824	1-5
	1-24, 1-25, 2-2	76081	1-12	99804	1-9	117825	1-6
2481	1-4	76249	1-13	99805	1-9	118146	3-17
2669	Used Extensively	76461	1-4	99806	1-9	118149	3-4, 3-9, 3-38,
3438	Used Extensively	76850	1-2	99807	1-9		3-39
3595	1-19	77438	1-5	99978	1-10	118186	3-30
3598	Used Extensively	77902	1-9, 1-23	100421	3-16	118454	1-15, 1-18
3602	1-22	78453	2-2	100842	1-15, 1-18	118578	3-4, 3-7,
3606	Used Extensively	79012	1-9, 3-37	101786	3-16		3-35, 3-37
3639	1-22	79013	3-8, 3-43	102629	1-7	118589	3-4, 3-10, 3-30
3640	Used Extensively	79967	3-37	103000	1-6	118720	3-7, 3-31, 3-32
3646	Used Extensively	80342	1-19	103081	1-5	119218	3-8
4814	1-2, 3-14	80905	1-5	104451	1-12	119637**	1-23
5599	1-4, 1-6, 1-8,	81258	2-2	105650	1-13	119639**	1-2
	1-20	81726	3-14, 3-16	105803	3-9	119641**	1-17, 1-22
6032	Used Extensively	82414	1-7	108355	1-15, 1-18	119647	3-15
6035	1-15, 1-18	82516	1-9, 3-8, 3-19	108809	1-2	119649	3-16
6810	1-2, 1-8, 1-13,	82548	3-14, 3-16	110181	1-13, 3-26	119652	3-3 to 3-13,
	1-20	83496	1-5, 1-13, 1-23	110434	(Used Extensively)		3-17 to 3-43
6827	1-9, 3-8, 3-19	83497	1-7	110435	3-14	119935	1-2
6835	1-12	84045	1-7	111017	1-5, 1-20, 1-23	120124	3-9
6987	1-11	84490	3-8, 3-14, 3-19	111427	1-22	120139	3-9
7002	Used Extensively	84579	1-2, 1-6, 1-14	111811	1-5	120166	3-9
8449	1-7	85308	1-2	112626	1-5, 1-6, 1-21,	120175	1-5
8473	3-34	86774	3-14		2-2	120209	3-34
8543	Used Extensively	89548	1-9	112967	1-4, 1-15	120850	1-23
31636	3-14	90033	3-16	113039	3-15	120851	1-23
34432	1-2, 1-21	90125	1-6	114478	1-5	120852	1-5
41732	3-14, 3-16	90517	3-15	114589	1-6	120853	1-5, 1-23
41974	3-15	90789	1-23	114654	3-18 to 3-20,	120856	1-5, 1-23
44048	1-8, 1-9	90790	1-20		3-30, 3-36 to	121021	1-22, 1-25
45815	1-2, 1-13,	90951	3-10		3-39	121243	1-8, 1-10, 1-13
	1-19, 3-13	91684	3-10, 3-13, 3-17	115324	1-15, 1-18	121244	1-21, 1-22
49120	1-13, 1-18		3-34, 3-43	115407	1-13	121245	1-8, 1-9, 1-21
49514	Used Extensively	91837	3-38, 3-39	115593	(Used Extensively)	121246	1-9, 1-15, 1-18
55219	1-4	92135	Used Extensively	115594	(Used Extensively)	121247	1-22
55235	2-2	92146	1-24	116001	1-2	121248	1-10, 1-12, 1-23
55320	1-7	92260	Used Extensively	116002	1-2	121249	1-10, 1-15,
70073	1-15, 1-18	92265	Used Extensively	116003	1-2		1-18, 1-23
70314	1-25	93110	1-15, 1-18, 1-22	116082	1-19	121551	1-13, 3-14, 3-34
70497	3-14	93130	1-24, 1-25	116109**	1-13	121575	1-13

NUMERICAL INDEX (Continued)

Part Number	Page	Part Number	Page	Part Number	Page	Part Number	Page
124021	1-20	151540	1-10	154446	1-8, 1-9, 1-23	161817	3-4, 3-7, 3-13,
124177	1-22	151549	1-6	154452	1-8, 1-9		3-18, 3-20, 3-36
124611	1-6, 2-2	151606	1-2	154697	3-4 to 3-8,	161824	1-4
124848	1-5	151626	1-9, 1-10,		3-10 to 3-13,	161832	3-10 to 3-12,
124996	3-14		1-21, 1-23		3-17 to 3-43		3-17, 3-18, 3-21
125002	1-6, 1-20	151630	(Used Extensively)	155023	3-3, 3-4, 3-5,		to 3-30, 3-33,
125011	1-9, 3-14	151631	(Used Extensively)		3-37		3-40 to 3-43
125015	1-9, 1-23	151632	(Used Extensively)	155406	3-14	161954	1-10
125138	3-15	151651	3-19	155718	3-3 to 3-8,	161994	1-8
125171	2-2	151657	(Used Extensively)		3-10 to 3-13,	161995	1-8
125186	1-8, 1-11, 1-17	151658	1-14, 1-21		3-17 to 3-43	162357	1-23
125218	1-25	151660	1-14	155750	1-13	162358	1-23
125231	1-22	151685	(Used Extensively)	155754	1-9	162359	1-23
125244	1-12	151690	1-15, 1-18	156537	3-15	162360	1-23
125302	1-8	151692	(Used Extensively)	156558	3-16	162361	1-23, 3-10
125390	(Used Extensively)	151693	(Used Extensively)	156575	3-15	162670	3-37
126986	1-12, 1-25	151721	1-12	156632	1-8	162678	1-9, 3-8, 3-19
128302	1-5	151722	1-8, 2-7, 3-14	156740	1-11, 3-15,	162692	1-8
128304	1-5	151723	1-2, 1-5,		3-16	162730	1-24
128312	1-5		1-9, 1-24	156768	1-8	162865	1-9, 3-8, 3-19
128313	1-5	151724	2-2	156769	3-3 to 3-8,	163515	1-21
128394	1-6	151732	2-2		3-10 to 3-13,	163517	1-21
128836	1-2	151808	1-8		3-17 to 3-43	165008	3-3 to 3-8,
128847	3-37	151814	1-8	156880	3-15		3-10, 3-17 to
129098	1-9	151818	1-23	156881	3-15		3-19, 3-30 to
129403	3-8	151819	1-9	156887	1-22		3-36, 3-38,
129431	1-5	151827	1-23	156936	2-2		3-39, 3-43
129850	3-10, 3-13	151880	(Used Extensively)	158287	1-8	165027	3-4, 3-7, 3-10,
129852	3-6, 3-17	151982	1-10	158291	1-8		3-18, 3-19
129897	3-13	152109	1-9	158816	3-14	165130	3-32
131891	1-9	152110	1-9	158989	1-5	170322	1-10
135872**	1-13	152124	1-9, 3-8, 3-19	158990	1-5	170323	1-10
135971	1-5	152426	1-12	159542	3-9	170501	3-3 to 3-8,
136408	1-10	152441	2-2	159736	1-25		3-10 to 3-13,
136740	1-16	152442	2-2	159976	3-16		3-17 to 3-43
136953	1-5	152465	1-10	159977	3-16	170502	3-3 to 3-8,
137439	3-34	152466	1-10	160229	1-23		3-10 to 3-13,
137440	3-17, 3-30	152755	1-23	160328	1-9		3-17 to 3-43
137444	3-3, 3-5	152890	1-19, 1-24	160329	1-9	170505	3-3 to 3-8,
137602	3-17, 3-19, 3-30,	152893	1-9, 3-16	160332	1-9		3-10 to 3-13,
	3-36, 3-38, 3-39	153017	1-25	160357	1-9		3-17 to 3-43
138225	1-8	153020	1-7	160361	1-9	170506	3-3 to 3-8,
139158	1-5, 1-23	153021	1-7	160362	1-9		3-10 to 3-13,
142966	3-18	153022	1-7	160362	1-9		3-17 to 3-43
143667	3-43	153023	1-7	160387	1-25	170507	3-3 to 3-13,
144216	3-8	153441	1-22, 3-13	160421	1-8		3-17 to 3-43
150543	1-15, 1-18	153459	1-8, 1-23	160439	1-9, 1-23	170508	3-3 to 3-13,
150982	3-16	153464	1-9	160824	1-9		3-17 to 3-43
151073	3-14, 3-16	153477	1-23	160971	1-25	170509	3-3 to 3-13,
151152	3-14, 3-16	153481	1-9	160973	1-25		3-17 to 3-43
151229	1-25	153484	1-8, 1-23	161238	3-8, 3-10 to	170511	3-33, 3-36
151246	3-38, 3-39	153537	1-4		3-12, 3-17,	170512	3-8, 3-10 to
151335	1-8, 1-9, 1-23	153839	1-15, 1-18		3-21, 3-23 to		3-13, 3-21 to
151346	(Used Extensively)	153841	1-20, 1-23		3-27, 3-29, 3-32,		3-27, 3-29
151422	3-32	154406	1-2, 1-8,		3-36, 3-40 to		3-32, 3-34,
151427	1-23		1-9, 1-23		3-42		3-35, 3-40
151442	1-13, 1-17	154437	1-8, 1-23	161708	1-12, 1-18, 1-21		to 3-42

NUMERICAL INDEX (Continued)

Part Number	Page	Part Number	Page	Part Number	Page	Part Number	Page
170513	3-3 to 3-7, 3-8 to 3-20, 3-28, 3-30, 3-38, 3-39, 3-43	170609**	1-14	170686	3-34	170861	3-14
		170610**	1-14	170687	3-5	170862	3-14
		170611	1-22	170688	3-6	170900	3-15, 3-16
170514	3-31, 3-35, 3-37	170613**	1-5	170689	3-38	170901	3-15
		170614	3-37	170690	3-39	170902	3-13
170516	3-3 to 3-7, 3-18 to 3-20, 3-30 to 3-32, 3-34 to 3-36, 3-38, 3-39, 3-43	170617	3-37	170691	3-35	170903	3-13
		170618**	1-21	170692	3-9	170905	3-16
		170619**	1-13, 1-18	170693	3-40	170906	3-16
		170620	1-13	170694	3-42	170907	3-16
		170621	1-2	170695	3-41	170908	3-16
170517	3-4, 3-7, 3-18	170622	3-21, 3-22	170700	1-11	170909	3-15
170518	3-4, 3-7, 3-17, 3-19, 3-30, 3-34, 3-36, 3-38, 3-39	170623	3-37	170712	2-4	170910	3-16
		170624	1-2	170713	2-4	170911	3-16
		170625	1-2	170714	2-4	170912	3-16
		170628	3-37	170715	2-4	170913	3-16
170519	3-10, 3-18	170629	1-2	170716	2-4	170914	3-15
170520	3-8, 3-19	170631	1-2	170717	2-4	170915	3-15
170521	3-30	170632	(Used Extensively)	170718	2-4	170917	3-15
170522**	1-22	170633	(Used Extensively)	170719	2-4	170918	3-15
170523**	1-22	170638**	1-14	170722	2-4	170919	3-15
170524	1-13	170639**	1-20	170723	2-4	170921	3-15
170525**	1-13	170640	1-19	170724	2-4	170922	3-15
170526	1-13	170643	1-20	170725**	1-14	170925	3-15
170527**	1-19	170644	1-20	170726**	1-21	170926	3-15
170529**	1-11	170645**	1-2	170727**	1-25	170927	3-16
170532**	1-2	170647	3-38	170728**	1-25	170928	3-16
170533**	1-2	170648	3-39	170730**	1-25	170929	3-15
170536**	1-21	170649	3-18, 3-30	170734**	1-24	170930	3-15
170537**	1-21	170653	3-20	170735**	1-4	170933	3-15
170539	1-21	170657	3-7	170736	3-7	170934	3-15
170540	1-21	170658	3-4	170737	3-5	170935	3-15
170541	1-21	170659	3-3	170738	3-6	170939	3-15
170542	1-21	170660	3-21	170740	3-16	170940	3-15
170543	1-21	170661	3-22	170741	3-16	170941	3-15
170544	1-21	170662	3-24	170742	3-16	170943	3-14
170547**	1-14	170663	3-27	170743	3-16	170944	3-16
170548**	1-14	170664	3-23	170744	3-16	170945	3-16
170549**	1-14	170665	3-25	170745	3-16	170946	3-15
170550	3-10	170666	3-26	170746	3-16	170947	3-16
170551	2-7	170667	3-28	170747	3-16	170948	3-16
170552	3-12, 3-17	170668	3-29	170810	3-14	170949	3-15
170553	3-10	170669	3-11	170839	3-14	170966**	1-24
170554	3-13	170670	3-12	170842	3-14	170967**	1-24
170555	3-13	170671	3-10	170845	3-14	170968**	1-19
170556	3-9	170672	3-13	170846	3-14	170970	1-21
170557	3-9	170673	3-8	170847	3-14	170972**	1-21
170561**	1-25	170674	3-43	170848	3-14	170973**	1-21
170564	3-34	170675	3-17	170849	3-14	170974**	1-21
170565	3-43	170676	3-18	170851	3-14	170994	3-14
170566	3-3 to 3-8, 3-13 to 3-43	170677	3-19	170852	3-14	171000	1-2
		170678	3-20	170853	3-14	171001	2-7
170573	3-4, 3-7, 3-20, 3-35 to 3-37, 3-43	170679	3-30	170855	3-14	171002**	1-12
		170680	3-36	170856	3-14	171003**	1-12
		170681	3-37	170857	3-14	171004	1-12
170602**	1-14	170682	3-31	170858	3-14	171005	1-12
170603**	1-14	170683	3-32	170859	3-14	171006	1-12
170608**	1-18	170686	3-34	170860	3-14	171007	1-12

NUMERICAL INDEX (Continued)

Part Number	Page	Part Number	Page	Part Number	Page	Part Number	Page
171008	1-12	171078	2-5	171301	1-13	171545	3-9
171009	1-12	171079	2-5	171304	1-16	171455	3-9
171010	1-12	171080	2-5	171308	1-16	171456	3-4, 3-7
171011	1-12	171081	2-5	171309	1-16	171457	3-34
171012**	1-12	171082	2-5	171316**	1-25	171459	2-4
171013**	1-12	171083	2-5	171317**	1-25	171460	2-4
171014**	1-12, 2-2	171084	2-5	171320		171464	3-30
171015	1-12	171085	2-5	thru	2-5	171465	3-38, 3-39
171016	1-12	171086	2-5	171330		171466	3-38, 3-39
171017	1-12	171087	2-5	171332		171467	3-4, 3-17
171019	2-2	171088	2-5	thru	2-5	171470**	1-15
171020	2-2	171089**	1-11	171342		171471	1-15, 1-18
171028	2-7	171090**	1-11	171344		171473**	1-13
171029	2-7	171091**	1-11	thru	2-5	171474**	1-15
171030	2-7	171092**	1-11	171391		171475**	1-15
171031	2-5	171093	2-5	171392	2-5	171476**	1-15
171032	2-5	171094	2-5	171393	2-5	171477**	1-15
171033	2-5	171095	2-5	171396	2-5	171478**	1-15, 1-18
171034	2-5	171096	2-5	171397	2-5	171479**	1-15
171035	2-5	171097	2-5	171398	2-5	171480	1-15, 1-18
171036	2-5	171098	2-5	171399	2-5	171481	1-13
171037	2-5	171100	3-3	171400	2-5	171482**	1-14
171038	2-2	171101	3-4	171401	2-5	171483	3-44
171039	2-2	171102	3-5	171409	2-2	171484	1-15, 1-18
171040	2-2	171103	3-6	171412**	1-11	171485	1-15, 1-18
171041	2-2	171104	3-7	171413**	1-11	171486	3-44
171042	2-2	171105	3-8	171415	2-2	171487**	1-15
171043	2-2	171106	3-10	171416	1-12	171489**	1-14
171044	2-2	171107	3-11	171417**	1-11	171490	3-10 to 3-12, 3-17, 3-18, 3-21 to 3-30, 3-33, 3-36, 3-40 to 3-43
171045	2-2	171108	3-12	171420	3-19	171493	3-10 to 3-13, 3-17, 3-21 to 3-35, 3-37, 3-40 to 3-43
171046	2-2	171109	3-13	171421**	1-17		
171047	2-2	171111	3-17	171422**	1-17		
171048	2-2	171112	3-18	171423**	1-17		
171049	2-3	171113	3-19	171424**	1-17		
171050	2-3	171114	3-20	171425**	1-17		
171051	2-2	171115	3-21	171426**	1-17		
171052	2-3	171117	3-23	171427	1-17		
171053	2-3	171118	3-24	171428	1-17	171495	3-4, 3-7
171054	2-2	171119	3-25	171430**	1-11	171500	3-3 to 3-13, 3-17 to 3-43
171055	2-2	171120	3-26	171431	1-11		
171056	2-2	171121	3-27	171434	3-13	171501	3-3 to 3-7, 3-17, 3-18, 3-30 to 3-33, 3-34 to 3-36, 3-38, 3-39, 3-43
171057	2-2	171122	3-28	171435	3-31, 3-32		
171060	2-2	171123	3-29	171437	3-30		
171061	2-4	171124	3-30	171438	3-43		
171062	2-2	171125	3-31	171440	3-9		
171063	2-5	171126	3-32	171442	3-9	171502	3-18, 3-19
171064	2-5	171127	3-43	171443	3-9	171503	3-3 to 3-8, 3-10 to 3-13, 3-17 to 3-43
171065	2-5	171130	3-36	171444	3-9		
171066	2-2	171131	3-37	171445	3-6, 3-9		
171067	2-2	171132	3-38	171446	3-9	171506	3-18
171069	2-2	171133	3-39	171447	3-9	171507	3-18
171071	2-4	171134	3-40	171448	3-9	171511	3-18
171072	2-2	171135	3-35	171449	3-9	171512	3-19
171074	2-2	171136	3-42	171450	3-9	171516	3-18
171075	2-2	171138	3-41	171451	3-9	171519	3-18, 3-30
171076	2-2	171157	1-21	171452	3-9	171521	3-18
171077	2-5	171158	1-21, 1-22	171453	3-9	171522	1-9, 3-18, 3-31, 3-32

NUMERICAL INDEX (Continued)

Part Number	Page	Part Number	Page	Part Number	Page	Part Number	Page
171523	1-13, 3-4, 3-7, 3-18	171615	3-9	171824	3-32	172005	1-8, 1-15
171524	3-18, 3-38, 3-39	171619	1-11	171825	2-2	172051	1-3
171525	3-18	171620	1-11	171886**	1-24	172052**	1-13
171526	3-19	171622	3-4, 3-7, 3-31, 3-32	171889**	1-14	172053**	1-13
171527	3-30	171623	3-31, 3-32	171890**	1-24	172054**	1-13
171528	3-10	171624	3-4, 3-7, 3-9	171892**	1-24	172055**	1-13
171529	3-13, 3-19	171625	3-34	171894**	1-24	172056	1-4
171532	3-35	171626	3-34	171895**	1-24	172057	1-4
171541	3-3 to 3-7, 3-12, 3-17, 3-30, 3-31 3-34 to 3-36	171627	3-32	171896**	1-25	172058	1-4
171542	3-19, 3-30	171628	3-17, 3-34	171897	1-2	172059	1-4
171544	3-3 to 3-13, 3-17 to 3-43	171629	3-34, 3-43	171899	1-19	172083	1-16
171545	1-7, 1-13, 1-19, 2-2	171630	3-34	171903	1-9	172084	1-20
171547	3-37	171632	3-19, 3-20, 3-32	171904	1-22	172099	1-19
171548	3-36	171633	3-19, 3-20, 3-32	171905	1-9	172123	3-19
171549	3-37	171634	3-31	171906**	1-23	172124	3-20
171550	3-37	171635	3-32	171907**	1-4	172125	3-3
171553	3-30, 3-35	171636	3-35	171908	1-22	172126	3-4
171554	1-16, 2-7	171641	3-9	171909	1-22	172141**	1-22
171555	1-15, 1-18, 1-26, 3-3 to 3-7, 3-18 to 3-20, 3-28, 3-30, 3-38, 3-39, 3-43	171642	3-9	171910	1-22	172142**	1-22
171556	1-15, 1-18	171646	2-4	171911	1-22	172143**	1-22
171557	1-15, 1-18	171647	2-4	171912	1-22	172147**	1-22
171558	1-16	171651	3-4, 3-7, 3-20, 3-35 to 3-37	171915	1-22	172148**	1-22
171559	3-4, 3-7, 3-10, 3-13, 3-20, 3-22, 3-30, 3-34	171658	3-9	171917	1-10	172149**	1-22
171560	3-10, 3-13	171659	1-19	171918	1-10	172150**	1-22
171561	3-10, 3-21, 3-22	171660	1-19	171920	1-9	172151**	1-22
171562	3-4, 3-10, 3-13, 3-20, 3-30, 3-34	171662	1-13	171921	1-9	172152**	1-22
171563	3-10, 3-34	171663	1-13	171922	1-8	172153	1-22
171568	1-13, 3-11, 3-12	171664**	1-13	171923**	1-9	172154	1-22
171569	1-13, 3-12, 3-17	171665	1-13	171924**	1-8	172155	1-22
171574	1-22	171666	1-13	171925**	1-9	172156**	1-23
171575	1-26	171670	3-13	171926**	1-9	172157**	1-23
171577	1-26	171675	3-9	171927**	1-8	172158	1-23
171580	3-10, 3-34, 3-35	171676	3-9	171928**	1-9	172159	1-2, 1-8, 1-9, 1-23
171590	3-9	171677	3-32	171975**	1-13	172160**	1-8, 1-23
171594	3-4, 3-7, 3-13, 3-20, 3-22, 3-30, 3-34	171699	1-16	171976	1-3	172161	1-22
171601	3-43	171755	thru 1-26	171977	1-3	172166**	1-4
171610	1-19	171783	1-16	171978	1-3	172167**	1-4
171612	3-9	171784	1-16	171979	1-3	172168**	1-6
171613	3-9	171785	1-16	171980	1-3	172169**	1-6
171614	3-9	171786	1-16	171981	1-3	172170**	1-4
		171787	1-16	171982	1-3	172172**	1-7
		171788	1-16	171983	1-3	172173**	1-7
		171798	1-13	171984	1-3	172174**	1-7
		171799	1-13	171985	1-3	172175**	1-7
		171803	1-26	171986	1-3		
		171804	1-26	171987	1-3		
		171805	1-26	171990	1-3		
		171806	1-13	171991	1-3		
		171808	2-4	171992	1-3		
		171816	1-19	171993	1-3		
		171817	1-19	171994	1-3		
		171818**	1-19	171995**	1-13, 1-18		
		171819**	1-19	171996	1-3		
		171820**	1-4	171997**	1-13		
		171821**	1-4	172001	1-4		
		171823	3-17	172003	1-4		
				172004	1-2		

NUMERICAL INDEX (Continued)

Part Number	Page	Part Number	Page	Part Number	Page	Part Number	Page
172176**	1-7	172219**	1-18	172334	3-23, 3-24, 3-27,	172419	3-10, 3-11, 3-17,
172177**	1-10	172220**	1-18		3-40, 3-41, 3-42		3-27, 3-30,
172178**	1-7	172223	1-6	172335	3-12, 3-17		3-33, 3-43
172179**	1-7	172224	1-6	172345	3-28	172421	3-25
172180**	1-7	172225	1-6	172347	3-21, 3-22, 3-25	172429	3-12, 3-17
172182**	1-7	172228**	1-8	172349	3-21, 3-22	172430	3-21
172183	1-7	172230	1-7	172350	3-27, 3-42	172431	3-12, 3-17, 3-44
172184**	1-7	172231	1-7	172359	3-10 to 3-12,	172433	3-27
172185	1-7	172232	1-7		3-17, 3-21 to	172438	3-25
172186	1-7	172233	1-7		3-25, 3-27, 3-33,	172439	3-11, 3-12,
172187	1-6	172234	1-7		3-40 to 3-42		3-21, 3-22
172188	1-7	172235	1-7	172368	3-12, 3-44	172442	3-30, 3-36
172191**	1-4	172236	1-9	172369	3-11	172448	3-26
171192	1-4, 1-13, 1-15	172237	1-6	172370	3-11, 3-27, 3-42	172449	3-10 to 3-12,
172193**	1-14	172238	1-6	172371	3-12		3-17, 3-21,
172194**	1-4, 1-15	172240	1-9	172372	3-12, 3-22		3-23 to 3-30,
172195**	1-20	172241	1-9	172374	3-12, 3-22		3-33, 3-40, 3-43
172196**	1-20	172242	1-9	172375	3-21, 3-25, 3-27,	172459	3-18
172197**	1-20	172244	1-10		3-41, 3-42	172460	3-18
172198**	1-20	172245	1-10	172376	3-27, 3-42	172461	3-18
172199**	1-20	172250	1-10	172377	3-27, 3-42	172462	3-10
172200**	1-20	172271**	1-19	172378	3-27	172469	3-17, 3-22, 3-25
172201**	1-20	172272	1-19	172379	3-23, 3-25, 3-41	172470	3-43, 3-44
172202	1-13	172273**	1-19	172380	3-30	172471	3-12, 3-29, 3-41
172207**	1-19	172298	1-16	172381	3-21, 3-30	172473	3-21, 3-22
172210**	1-19	172299	1-16	172386	3-23, 3-25, 3-41	172474	3-22, 3-25
172211**	1-19	172319	3-27, 3-42	172387	3-17, 3-27	172475	3-21, 3-22
172212**	1-19	172329	3-12, 3-25	172388	3-17	172478	3-23, 3-25, 3-41
172213**	1-19	172331	3-23, 3-24, 3-27,	172390	3-12	172479	3-23, 3-29, 3-41
172214**	1-18		3-33, 3-40, 3-42	172396	3-17	172480	3-30
172215**	1-18	172332	3-12, 3-22	172398	3-26	172490	3-22, 3-27, 3-42
172216**	1-18	172333	3-12, 3-22,	172400	3-12, 3-30, 3-36	172491	3-17
172217**	1-18		3-25, 3-44	172401	3-22, 3-27, 3-42	172492	3-17
172218**	1-18			172409	3-27, 3-42	172493	3-11

