

TELETYPE

PRINTING TELEGRAPH SYSTEMS

BULLETIN 1160B

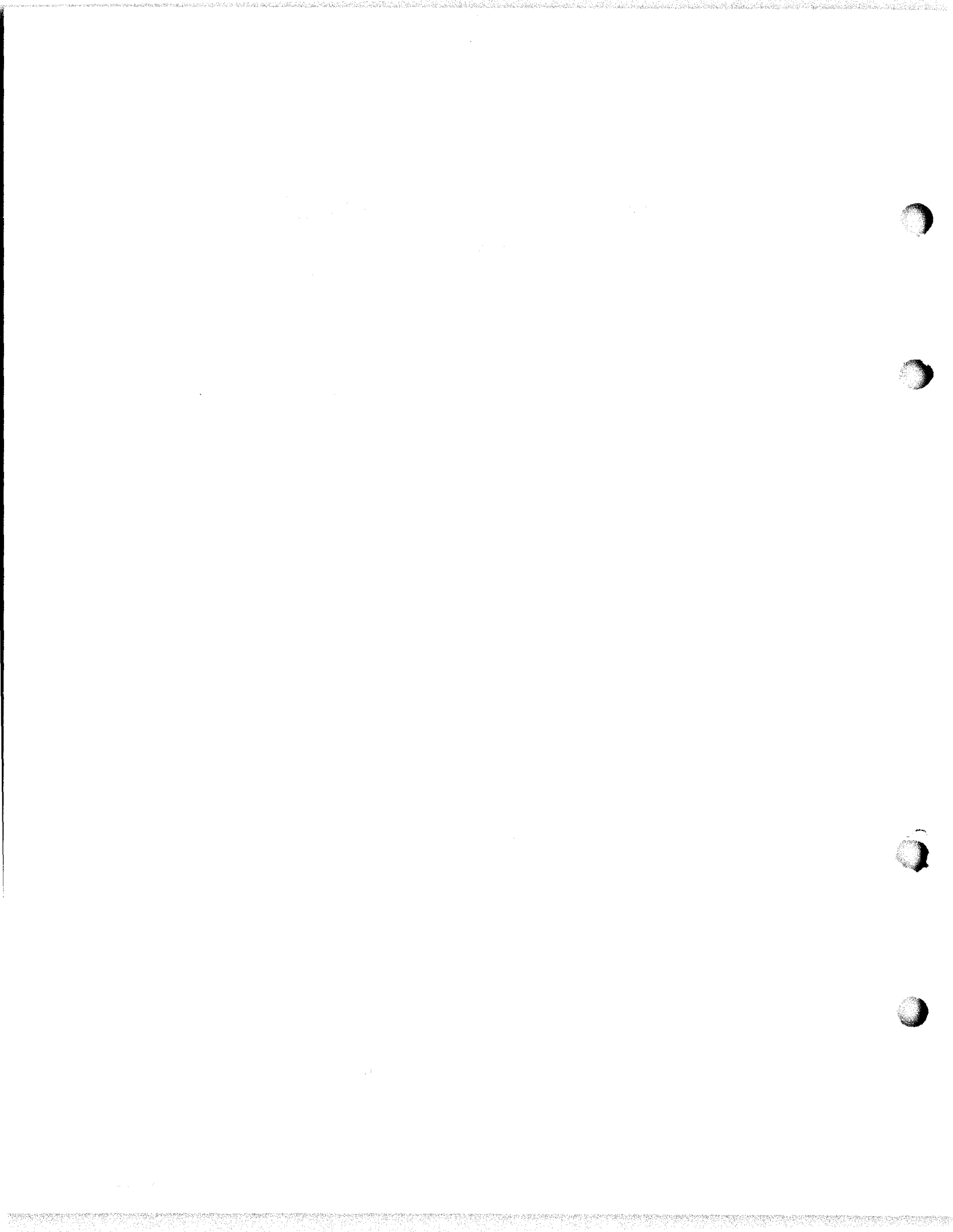
PARTS

MODEL 28

SEQUENCE SELECTOR



ATTENTION - BELL SYSTEM ONLY
WHEN ORDERING PARTS FROM THIS BULLETIN, EACH NUMBER SHOULD BE
PRECEDED BY THE LETTERS TP, WITHOUT PARENTHESES, IN ORDER TO
IDENTIFY THE ITEM AS ONE TO BE SECURED FROM THE TELETYPE CORPORATION.



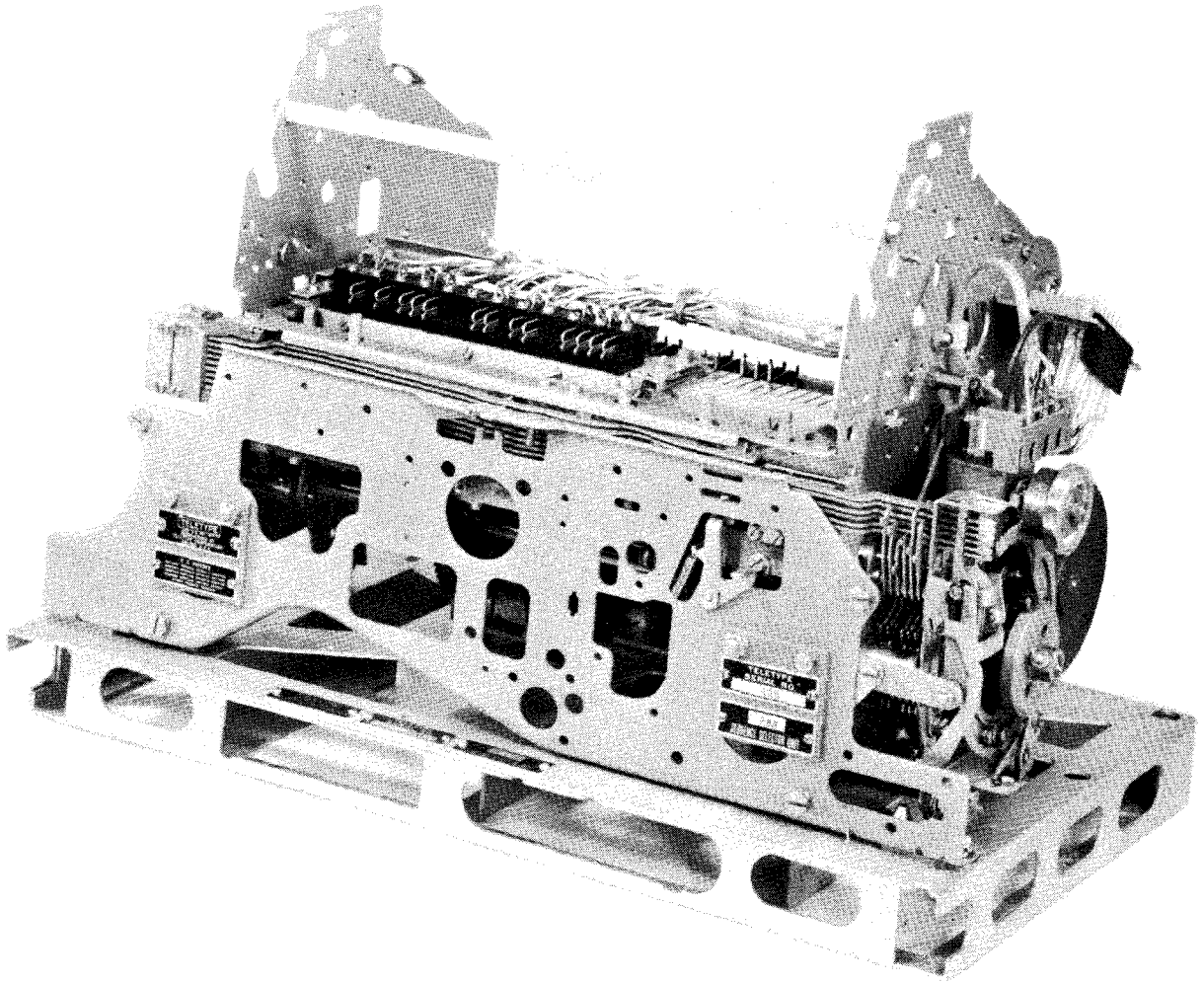
LIST OF EFFECTIVE PAGES
AUGUST, 1956

Page Numbers	Change In Effect	Page Numbers	Change In Effect
A to C	Original		
1-1 to 1-3	Original		
2-1 to 2-2	Original		
3-1 to 3-5	Original		
4-1 to 4-5	Original		

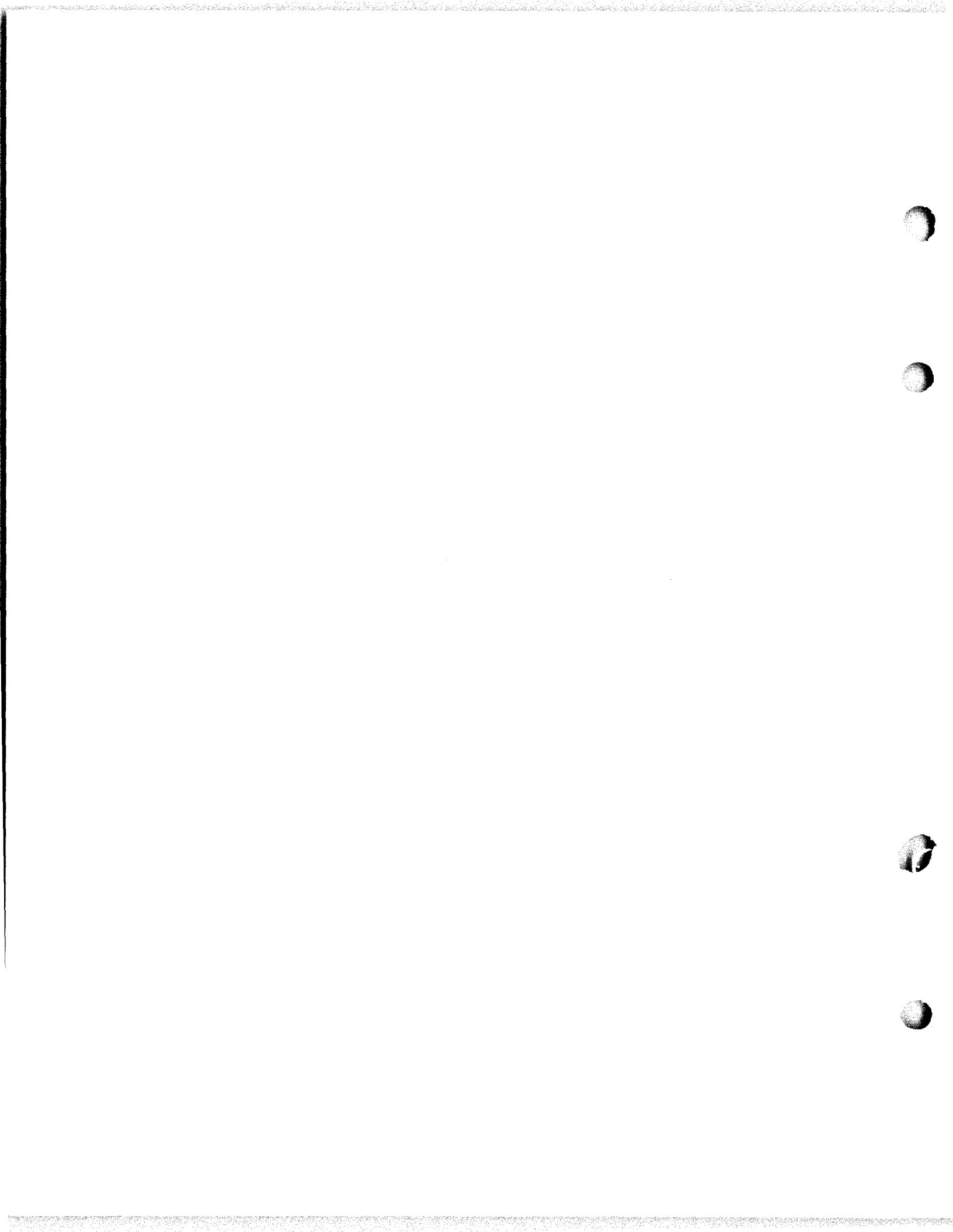
The above list indicates the effective pages as of the date of issue. Upon receipt of change pages, insert them numerically and discard any superseded pages.

TABLE OF CONTENTS

Figure Number	Title	Page Number
SECTION 1 - BASE		
1-1	Base Mechanism	1-2
SECTION 2 - SEQUENCE SELECTOR		
2-1	Code Bar Mechanism	2-2
2-2	Selector Magnet Mechanism	2-4
2-3	Selector Mechanism	2-6
2-4	Code Bar Positioning Mechanism	2-8
2-5	Front Plate Mechanism	2-10
2-6	Clutch Trip Shaft Mechanism	2-10
2-7	Main Shaft Mechanism	2-12
2-8	Reset Bail Mechanism	2-14
2-9	Side Frames Mechanism	2-16
2-10	154990 ADA Stunt Box Arrangement	2-18
2-11	154990 ADA Stunt Box Arrangement	2-20
SECTION 3 - MOTOR UNIT AND GEAR SETS		
3-1	Synchronous Motor Unit	3-2
3-2	Gear Sets	3-4
SECTION 4 - NUMERICAL INDEX		
	Numerical Index	4-2 to 4-5



THE MODEL 28 SEQUENCE SELECTOR, SHOWN ABOVE, CONSISTS OF A LSIADA201 SEQUENCE SELECTOR, LSB1 BASE AND LMU5 MOTOR UNIT.



1160B

SECTION I
SEQUENCE SELECTOR BASE

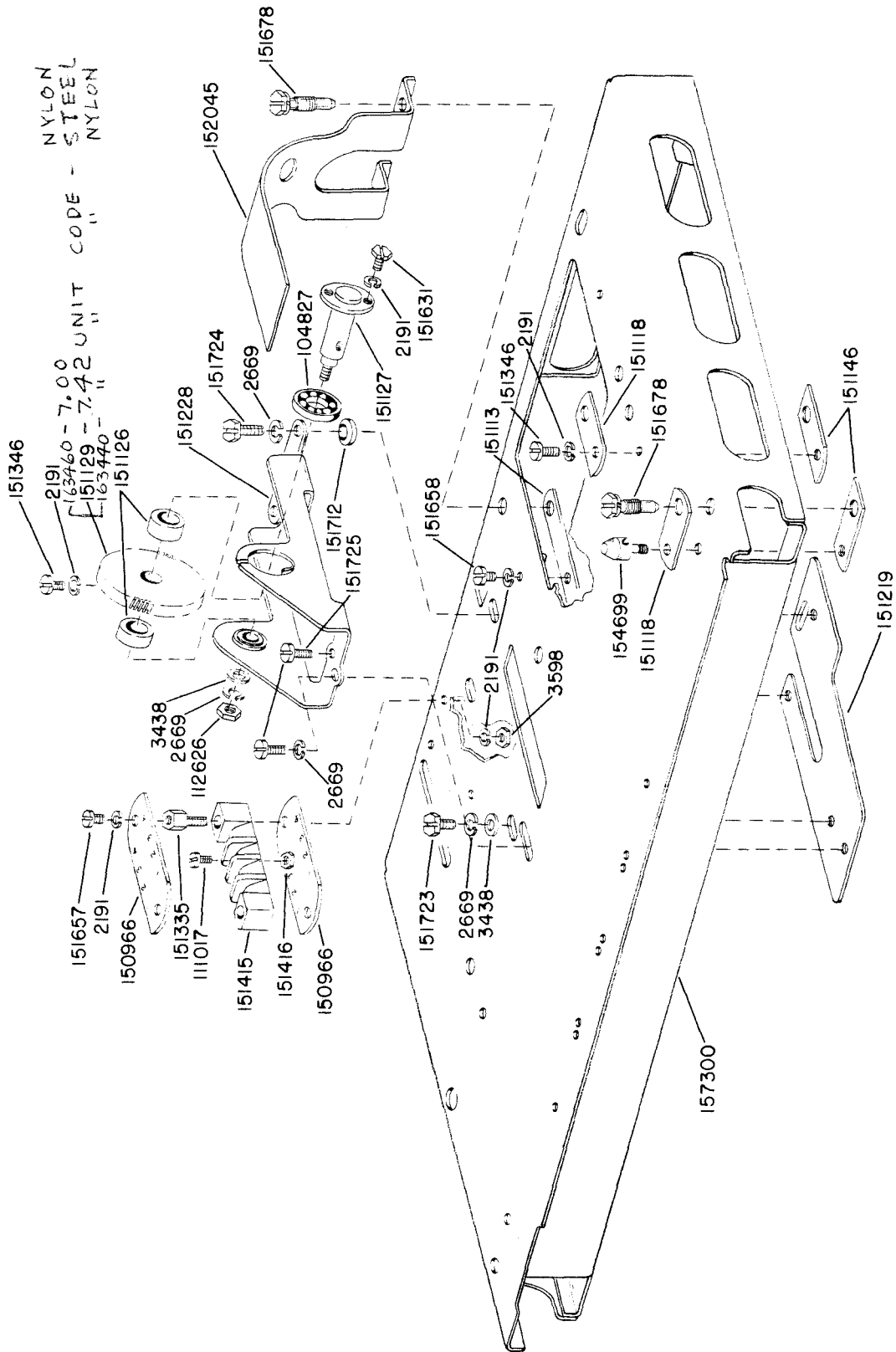


FIGURE I-1. BASE MECHANISM

NUMERICAL INDEX - FIGURE 1-1

Part Number	Description
2191	Washer, Lock
2669	Washer, Lock
3438	Washer, Flat
3598	Nut (6-40)
111017	Screw (6-40 x 5/16 Fil)
112626	Nut (10-32)
150966	Insulator, Terminal Block
151113	Strip, Motor Mounting
151118	Plate, Typing Unit Spacing
151126	Spacer
151127	Shaft, Intermediate Gear Driving
151129	Gear, Typing Unit Intermediate Driving
151146	Strap, Typing Unit Mounting
151219	Plate
151228	Bracket with Bearing, Intermediate Gear
151335	Stud, Terminal Block
151346	Screw (6-40 x 3/8 Fil)
151415	Block, Terminal
151416	Nut (6-40)
151631	Screw (6-40 x 5/16 Hex)
151657	Screw (6-40 x 1/4 Fil)
151658	Screw (6-40 x 5/16 Fil)
151678	Screw, Typing Unit Mounting
151712	Button, Intermediate Gear Bracket Pivot
151723	Screw, Nut Plate (10-32 x 3/8 Hex)
151724	Screw, Bracket Mounting (10-32 x 5/8 Hex)
151725	Screw, Bracket Clamping, Adjusting (10-32 x 3/4 Fil)
152045	Guard, Keyboard Gear
154699	Stud, Typing Unit Locating
157300	Base



11608

SECTION 2
SEQUENCE SELECTOR AND VARIABLE FEATURES

1160B

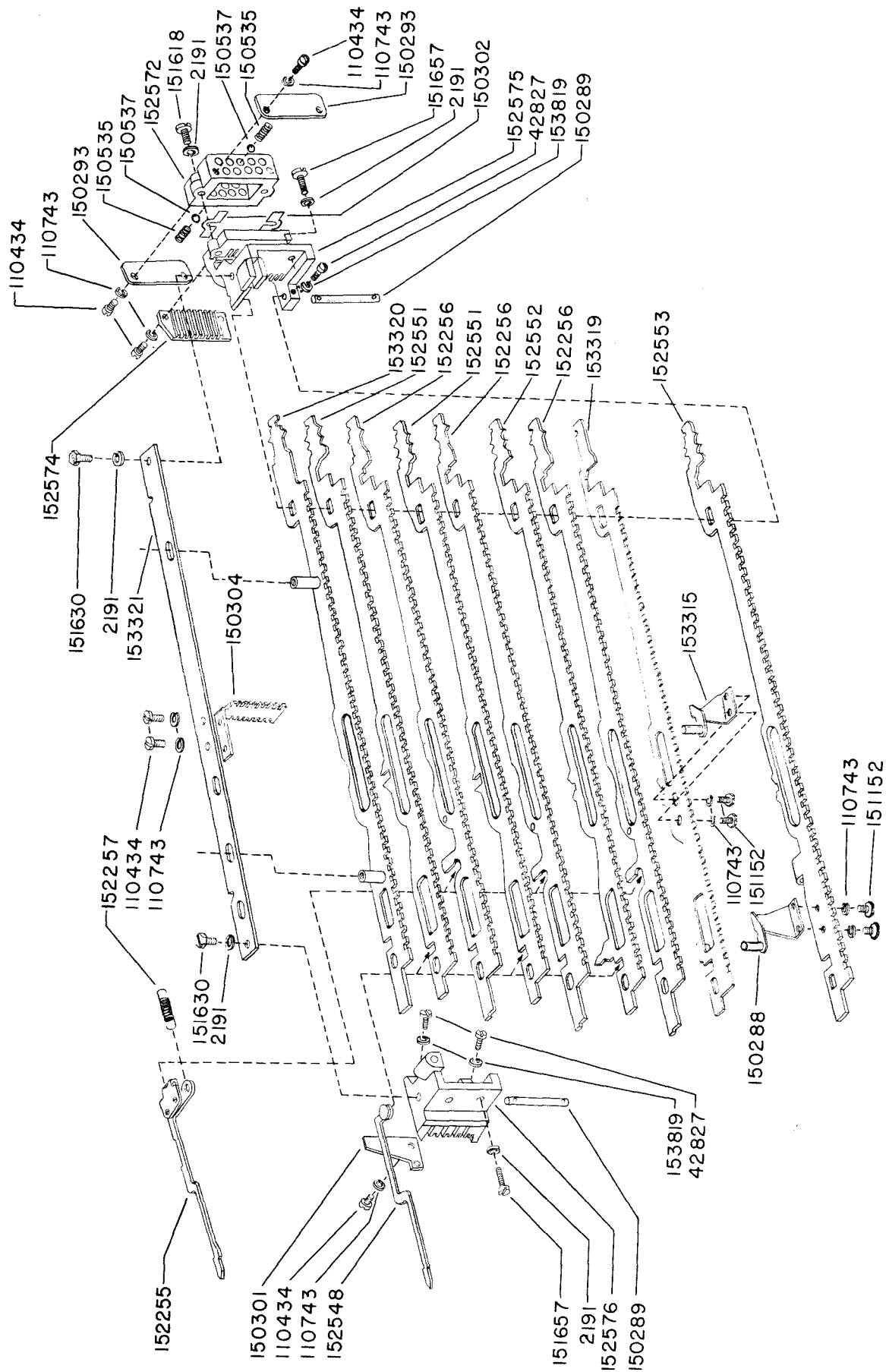


FIGURE 2-1. CODE BAR MECHANISM

NUMERICAL INDEX - FIGURE 2-1

Part Number	Description
2191	Washer, Lock
42827	Screw (3-48 x 1/4 Fil)
110434	Screw (4-40 x 1/4 Fil)
110743	Washer, Lock
150288	Bracket, Shift Code Bar
150289	Stud
150293	Plate, Detent Ball Retaining
150301	Plate, Shift Bar Retaining
150302	Shim
150304	Bracket, Guide
150535	Detent, Ball Spring
150537	Detent, Bearing Ball
151152	Screw (4-40 x 3/16 Hex)
151618	Screw (6-40 x 7/16 Fil)
151630	Screw (6-40 x 1/4 Hex)
151657	Screw (6-40 x 1/4 Fil)
152255	Bar with Retainer, Code Bar Shift (Suppression)
152256	Bar, Code (1, 2 & Common)
152257	Spring
152548	Bar, Code Bar Shift
152551	Bar, Code (4 & 5)
152552	Bar, Code (3)
152553	Bar, Code (Shift & Unshift)
152572	Bracket, Code Bar Detent
152574	Plate, Code Bar Retaining
152575	Bracket, Code Bar Guide
152576	Bracket, Code Bar Guide
153315	Bracket, Code Bar (Auto CR & LF) Shift
153319	Bar, Code (Auto CR & LF)
153320	Bar, Code (Suppression)
153321	Bracket, Tie
153819	Washer, Lock

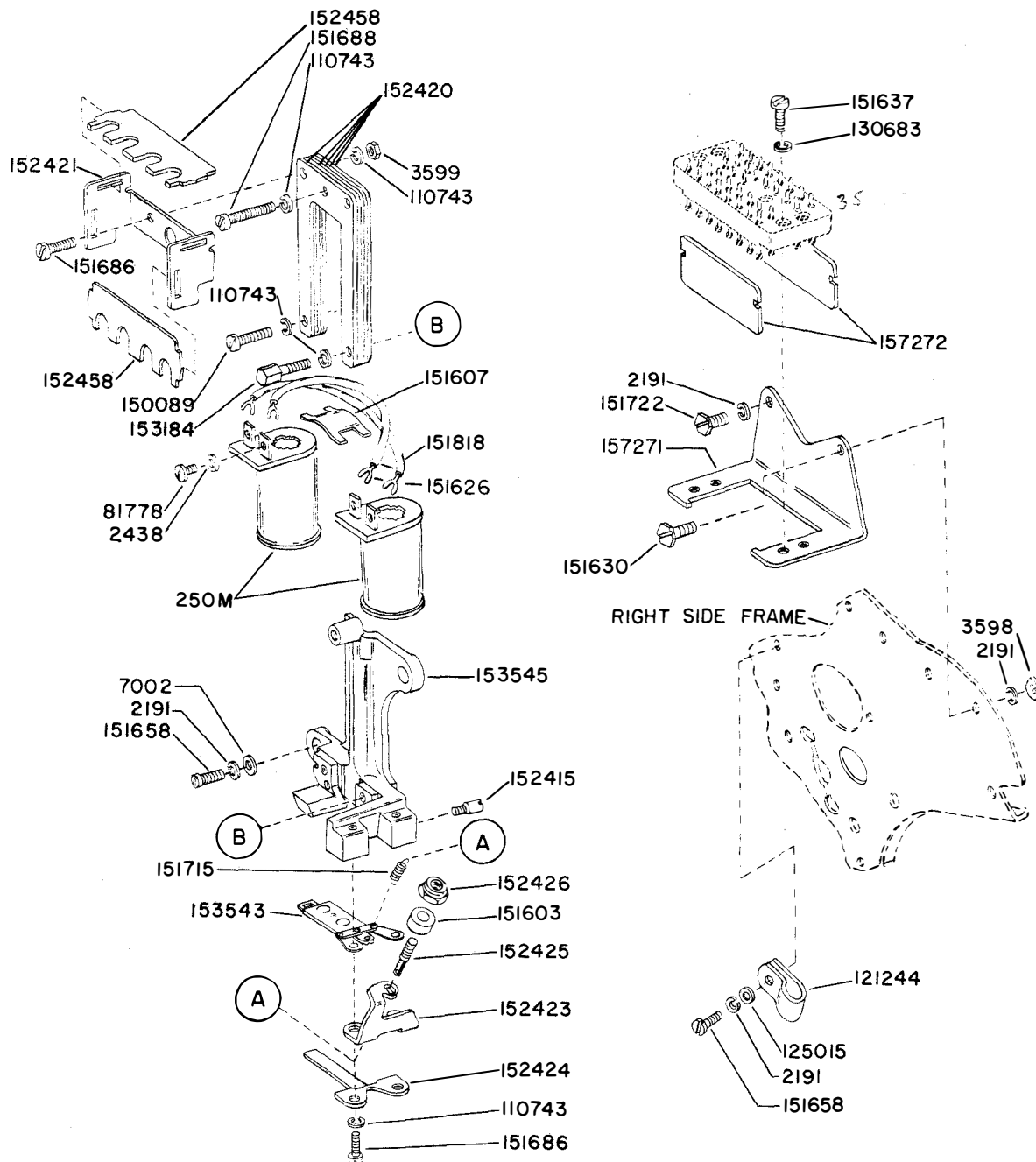


FIGURE 2-2. SELECTOR MAGNET MECHANISM

NUMERICAL INDEX - FIGURE 2-2

Part Number	Description
250M	Coil, Selector Magnet
2191	Washer, Lock
2438	Washer, Flat
3598	Nut (6-40)
3599	Nut (4-40)
7002	Washer, Flat
81778	Screw (4-40 x 3/16 Fil)
110743	Washer, Lock
121244	Clamp, Selector Magnet Cable
125015	Washer, Flat
130683	Washer, Lock
150089	Screw (4-40 x 1/2 Fil)
151603	Collar, Spacing
151607	Spring, Magnet Coil Retaining
151626	Lug, Jumper Assembly Terminal
151630	Screw (6-40 x 1/4 Hex)
151637	Screw (4-40 x 1/4 Fil)
151658	Screw (6-40 x 5/16 Fil)
151686	Screw (4-40 x 3/8 Fil)
151688	Screw (4-40 x 5/8 Fil)
151715	Spring, Armature
151722	Screw (6-40 x 3/16 Hex)
151818	Jumper Assembly
152415	Stud
152420	Lamination, Selector Magnet
152421	Bracket, Shield
152423	Bracket, Armature Spring
152424	Plate, Stop
152425	Post, Armature Spring
152426	Nut, Armature Spring Adjusting (6-40 Self Locking)
152458	Shield, Terminal
153184	Post
153543	Armature
153545	Bracket, Magnet
157271	Bracket, Connector Mounting
157272	Insulator, Connector

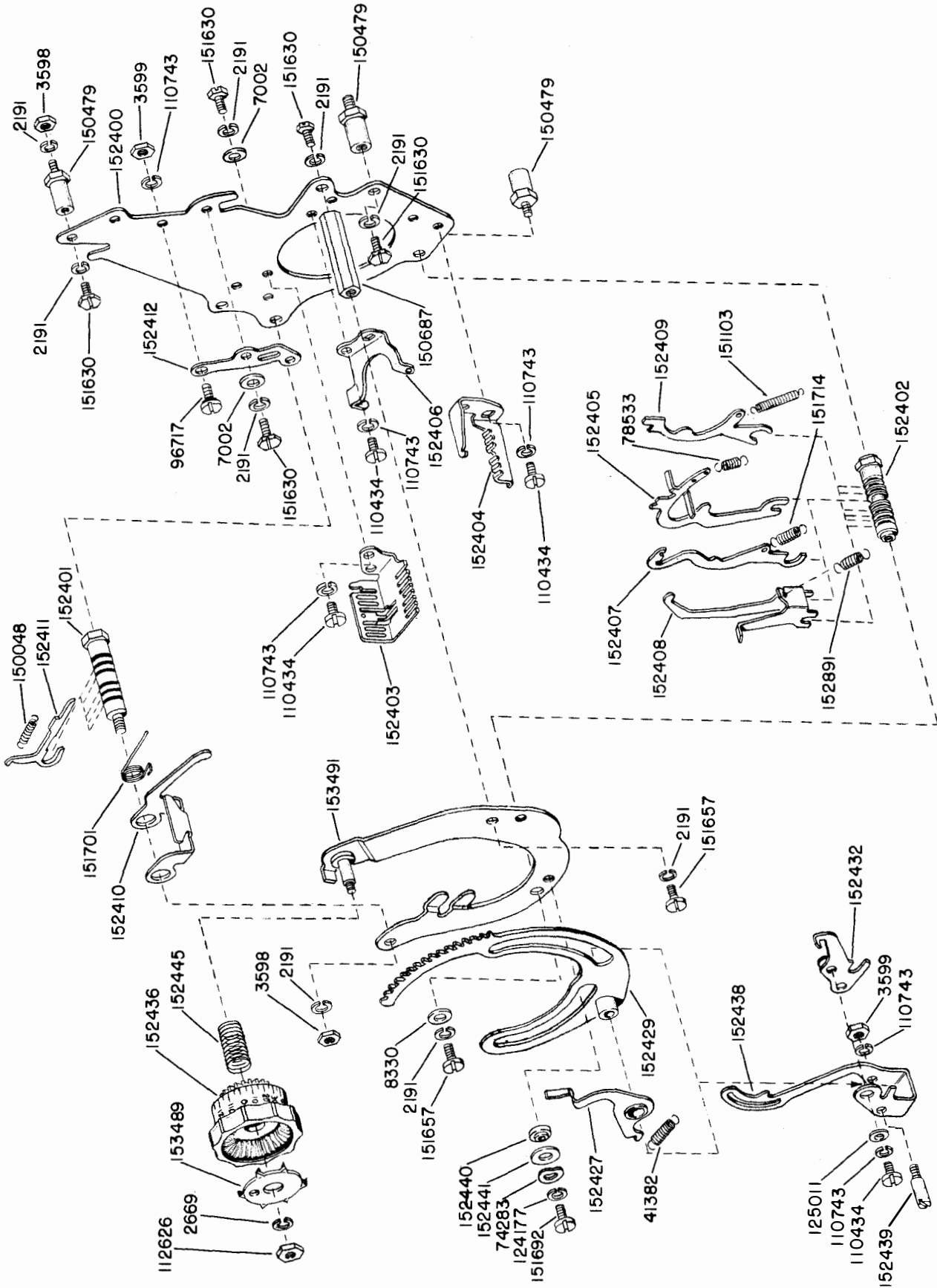


FIGURE 2-3. SELECTOR MECHANISM

NUMERICAL INDEX - FIGURE 2-3

Part Number	Description
2191	Washer, Lock
2669	Washer, Lock
3598	Nut (6-40)
3599	Nut (4-40)
7002	Washer, Flat
8330	Washer, Flat
41382	Spring, Latch Lever
74283	Washer, Spring
78533	Spring, Marking Lock Lever
96717	Screw, Shoulder (4-40)
110434	Screw (4-40 x 1/4 Fil)
110743	Washer, Lock
112626	Nut (10-32)
124177	Washer, Lock
125011	Washer, Flat
150048	Spring, Push Lever
150479	Stud, Selector Plate Mounting
150687	Stud, Range Finder Plate Mounting
151103	Spring, Selector Lever
151630	Screw (6-40 x 1/4 Hex)
151657	Screw (6-40 x 1/4 Fil)
151692	Screw (6-40 x 3/16 Fil)
151701	Spring, Reset Bail Torsion
151714	Spring, Spacing Lock Lever
152400	Plate, Selector Mounting
152401	Guide, Push Lever
152402	Guide, Lever
152403	Bracket, Push Lever Guide
152404	Bracket, Transfer Lever Spring Anchor
152405	Lever, Marking Lock
152406	Bracket, Marking Lock Lever Guide
152407	Lever, Spacing Lock
152408	Lever, Start
152409	Lever, Selector
152410	Bail, Reset
152411	Lever, Push
152412	Link, Adjusting
152427	Lever (with hub), Latch
152429	Rack with Hub, Sector
152432	Arm with Hub, Clutch Stop
152436	Knob, Range Scale
152438	Bail, Stop Arm
152439	Shaft
152440	Bushing, Sector
152441	Washer, Flat
152445	Spring, Range Scale Knob
152891	Spring, Start Lever
153489	Detent, Range Scale Knob
153491	Plate, Range Finder

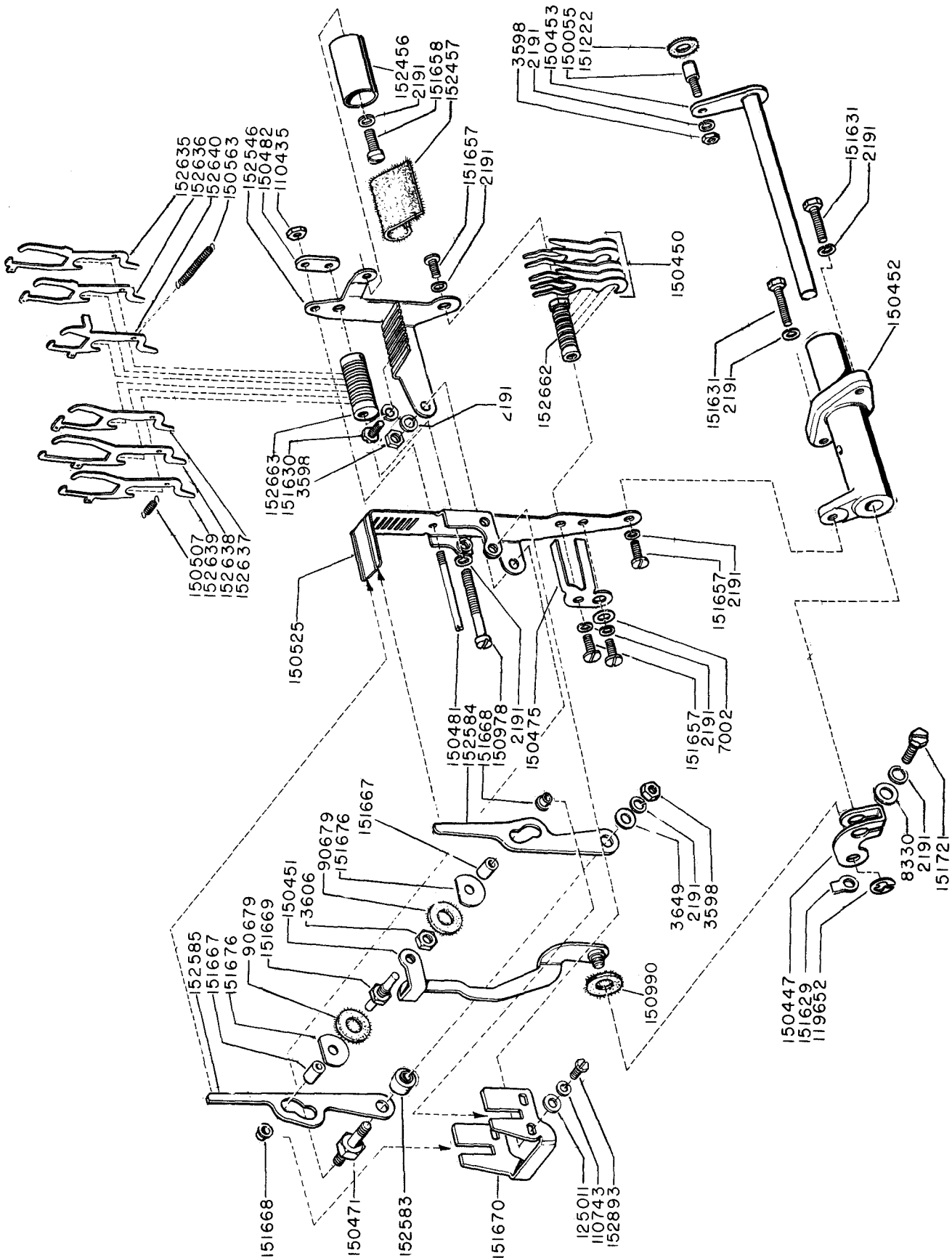


FIGURE 2-4 CODE BAR POSITIONING MECHANISM

NUMERICAL INDEX - FIGURE 2-4

Part Number	Description
2191	Washer, Lock
3598	Nut (6-40)
3606	Nut (6-40)
3649	Washer, Flat
7002	Washer, Flat
8330	Washer, Flat
90679	Washer, Felt
110435	Nut (4-40)
110743	Washer, Lock
119652	Ring, Retaining
125011	Washer, Flat
150055	Stud
150447	Arm, Shift Lever Drive
150450	Arm, Intermediate
150451	Link, Shift Lever
150452	Bearing, Drive Shaft
150453	Shaft, Shift Lever Drive
150471	Stud, Shift Lever Mounting
150475	Bracket, Retaining (Backstop)
150481	Shaft, Transfer Lever Retaining
150482	Plate
150507	Spring, Transfer Lever
150525	Bracket, Shift Lever Guide
150563	Spring, Common Transfer Lever
150978	Screw, Bearing Clamp (6-40 x 1-1/8 Fil)
150990	Washer, Felt
151222	Washer, Felt
151629	Nut (6-40)
151630	Screw (6-40 x 1/4 Hex)
151631	Screw (6-40 x 5/16 Hex)
151657	Screw (6-40 x 1/4 Fil)
151658	Screw (6-40 x 5/16 Fil)
151667	Roller, Shift Lever Roller
151668	Roller, Shift Lever Link
151669	Stud
151670	Bracket, Shift Lever Link Guide
151676	Shim
151721	Screw (6-40 x 3/4 Hex)
152456	Holder, Wick
152457	Wick, Felt
152546	Bracket, Intermediate Arm Bracket
152583	Bearing, Sleeve
152584	Lever, Shift
152585	Lever, Shift
152635	Lever, Transfer (1)
152636	Lever, Transfer (2)
152637	Lever, Transfer (3)
152638	Lever, Transfer (4)
152639	Lever, Transfer (5)
152640	Lever, Transfer (C)
152662	Shaft, Intermediate Arm Guide
152663	Guide, Transfer Lever
152893	Screw (4-40 x 1/4 Hex)

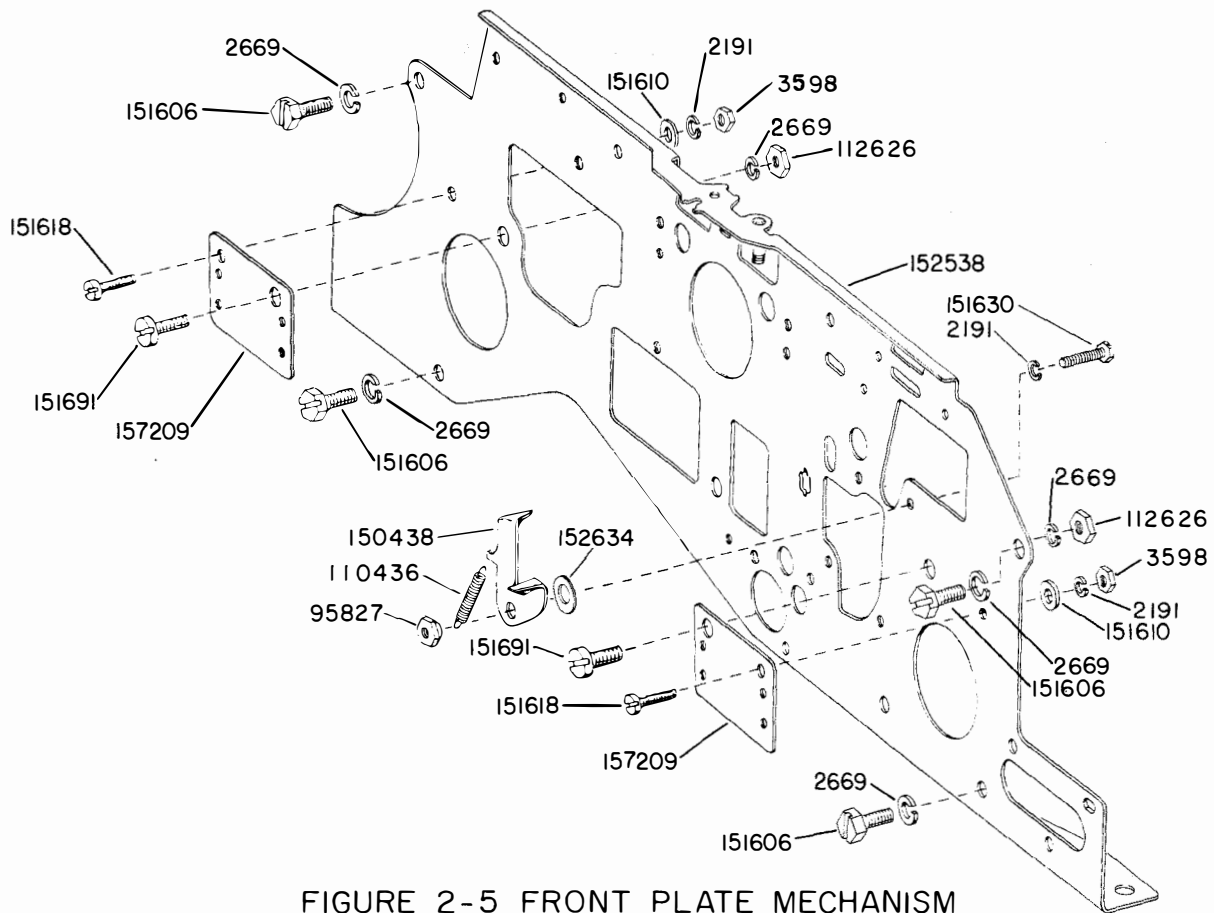


FIGURE 2-5 FRONT PLATE MECHANISM

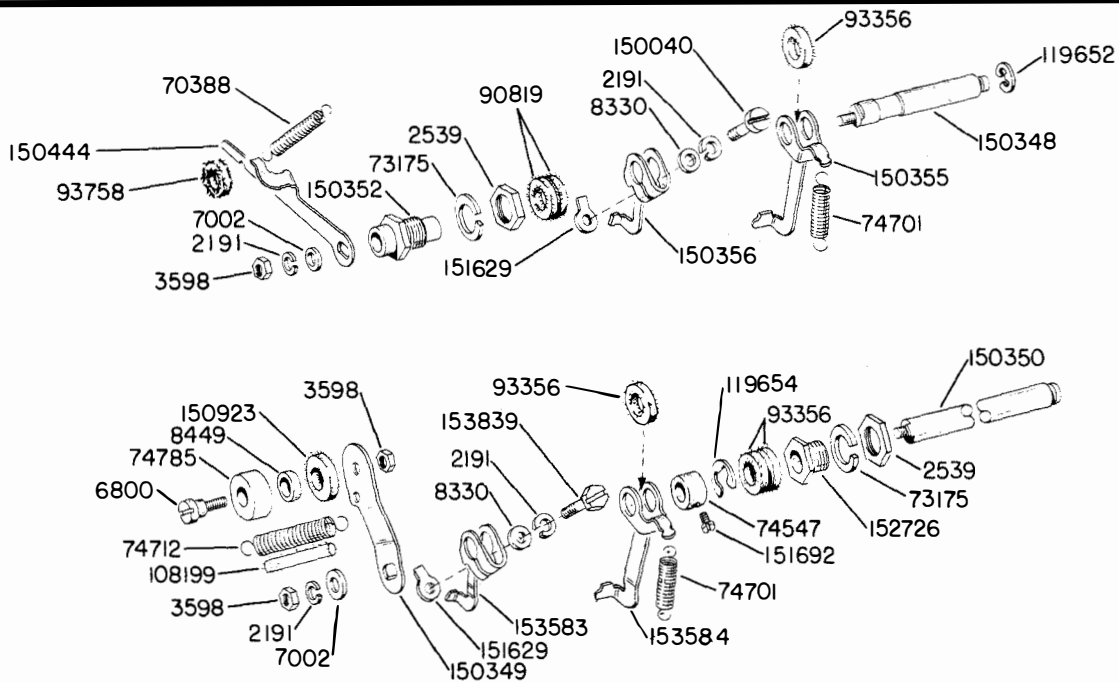


FIGURE 2-6. CLUTCH TRIP SHAFT MECHANISM

NUMERICAL INDEX - FIGURES 2-5, 2-6

Part Number	Description
2191	Washer, Lock
2539	Nut (3/8-32)
2669	Washer, Lock
3598	Nut (6-40)
6800	Screw, Shoulder (6-40)
7002	Washer, Flat
8330	Washer, Flat
8449	Collar, Spacing
70388	Spring, Trip Shaft Lever
73175	Washer, Lock
74547	Collar, Set
74701	Spring, Trip and Latch Lever
74712	Spring, Code Bar Clutch Cam Follower
74785	Roller, Detent Cam
90819	Washer, Felt
93356	Washer, Felt
93758	Washer, Felt
95827	Bushing, Carriage Return Bell Crank
108199	Wick, Felt
110436	Spring, Carriage Return Bell Crank
112626	Nut (10-32)
119652	Ring, Retaining
119654	Ring, Retaining
150040	Screw (6-40 x 5/8 Fil)
150348	Shaft, Trip
150349	Arm, Cam Follower
150350	Shaft, Trip
150352	Bushing, Trip Shaft
150355	Lever, Latch
150356	Lever, Clutch Trip
150444	Lever, Trip Shaft
150438	Crank, Automatic Carriage Return Bell
150923	Washer, Felt
151606	Screw (10-32 x 1/4 Hex)
151610	Washer, Flat
151618	Screw (6-40 x 7/16 Fil)
151629	Nut (6-40)
151630	Screw (6-40 x 1/4 Hex)
151691	Screw (10-32 x 3/8 Fil)
151692	Screw (6-40 x 3/16 Fil)
152538	Plate, Front
152634	Washer, Flat
152726	Bushing, Trip Shaft
153583	Lever, Trip
153584	Lever, Latch
153839	Screw, (6-40 x 5/8 Hex)
157209	Plate

NUMERICAL INDEX - FIGURE 2-7

Part Number	Description
2191	Washer, Lock
3598	Nut (6-40)
7002	Washer, Flat
42823	Washer, Flat
89096	Washer, Felt
110743	Washer, Lock
150000	Drum, Clutch
150001	Drum, Clutch
150004	Cam, Code Bar Clutch
150013	Disk, Adjusting
150016	Spacer, Clutch
150026	Lever, Clutch Shoe Release
150028	Disk, Clutch Cam
150029	Wick, Felt
150040	Screw (6-40 x 5/8 Fil)
150043	Shoe, Clutch (Secondary)
150044	Shoe, Clutch (Primary)
150047	Bearing, Clutch Sleeve
150050	Spacer, Clutch
150051	Cam, Code Bar Clutch Eccentric
150056	Arm, Code Bar Clutch Follower
150241	Spring, Clutch Shoe
150439	Gear, Main Shaft Helical Driven
150440	Hub, Gear
150970	Bearing, Main Shaft Ball
151630	Screw (6-40 x 1/4 Hex)
151633	Bearing, Ball
151640	Lever, Clutch Shoe Release
151642	Screw (6-40 x 3/4 Fil)
151660	Screw (6-40 x 7/8 Fil)
151688	Screw (4-40 x 3/8 Fil)
151689	Screw (4-40 x 3/4 Fil)
151693	Screw (6-40 x 9/16 Fil)
151728	Spring, Clutch Shoe Lever
151737	Screw (4-40 x 11/64 Hex)
152447	Shaft, Main
152450	Cam, Selector
152537	Clamp, Ball Bearing
152573	Retainer, Bearing
152887	Screw (4-40 x 1/2 Hex)
153292	Plate, Eccentric Drive
153293	Spacer, Clutch
153296	Eccentric
153300	Arm, Stripper Blade Driving
153323	Ring
153576	Cam, Function
153823	Collar
153824	Clamp, Collar
155044	Spacer
155046	Screw (4-40 x 5/32 Hex)
155047	Disk with Bushings
157267	Collar

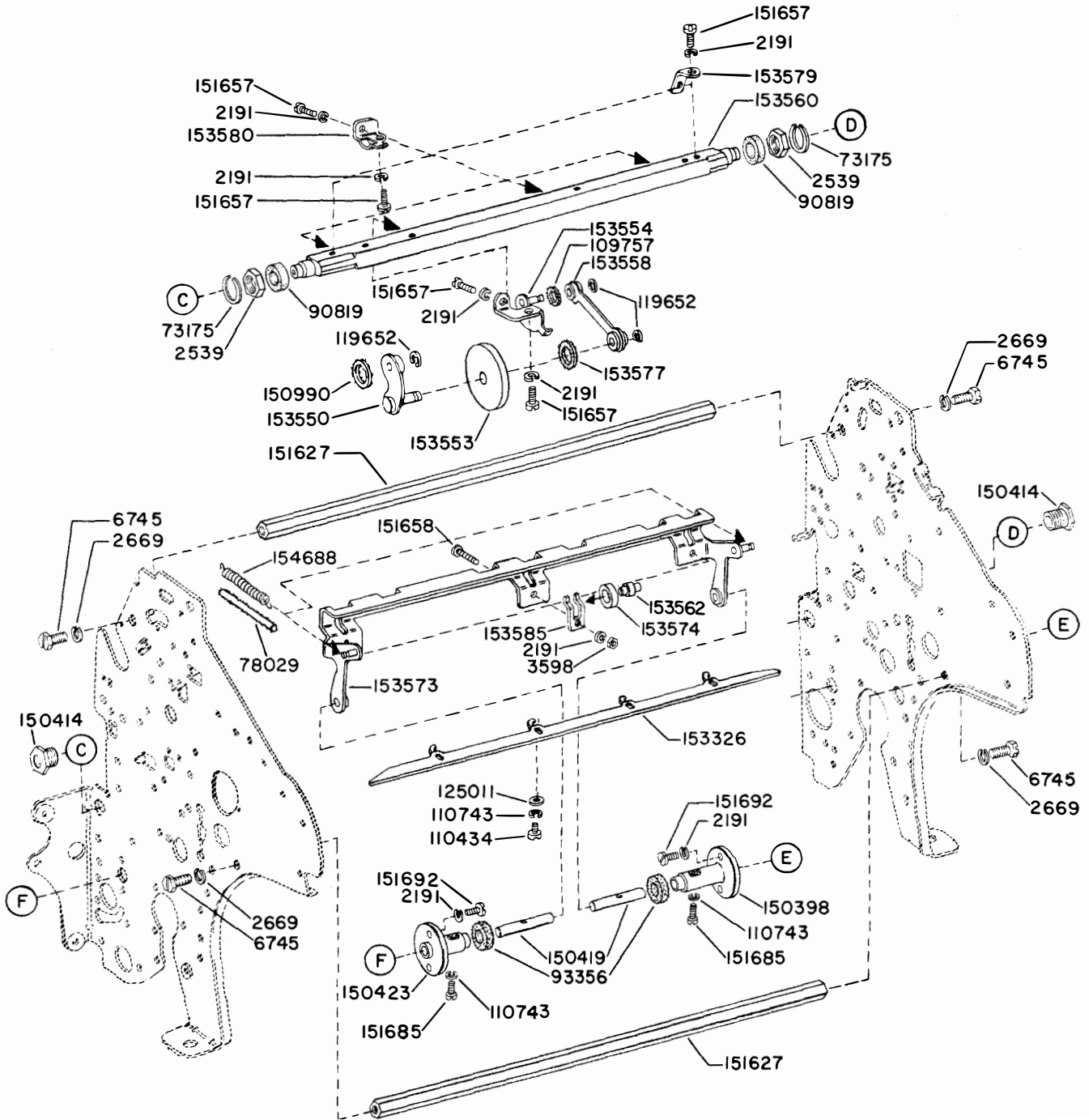


FIGURE 2-8. RESET BAIL MECHANISM

NUMERICAL INDEX - FIGURE 2-8

Part Number	Description
2191	Washer, Lock
2539	Nut (3/8-32)
2669	Washer, Lock
3598	Nut (6-40)
6745	Screw (10-32 x 1/2 Hex)
73175	Washer, Lock
78029	Wick, Felt
90819	Washer, Felt
93356	Washer, Felt
109757	Washer, Felt
110434	Screw (4-40 x 1/4 Fil)
110743	Washer, Lock
119652	Ring, Retaining
125011	Washer, Flat
150398	Stud, Left Pivot
150414	Bushing, Function Rocker Shaft
150419	Shaft, Reset Bail Pivot
150423	Stud, Right Pivot
150990	Washer, Felt
151627	Rod
151657	Screw (6-40 x 1/4 Fil)
151658	Screw (6-40 x 5/16 Fil)
151685	Screw (4-40 x 5/16 Fil)
151692	Screw (6-40 x 3/16 Fil)
153326	Blade, Reset Bail
153550	Link, Function Cam Roller Bracket
153553	Roller, Function Cam
153554	Bracket with Stud
153558	Link with Bushings, Cam Shaft Drive
153560	Shaft with Bushings, Reset Bail Cam
153562	Shaft, Roller
153573	Bail, Function Reset
153574	Roller, Reset Bail
153577	Washer, Felt
153579	Bracket, Spring
153580	Bracket, Cam
153585	Clamp, Roller Shaft
154688	Spring, Reset Bail

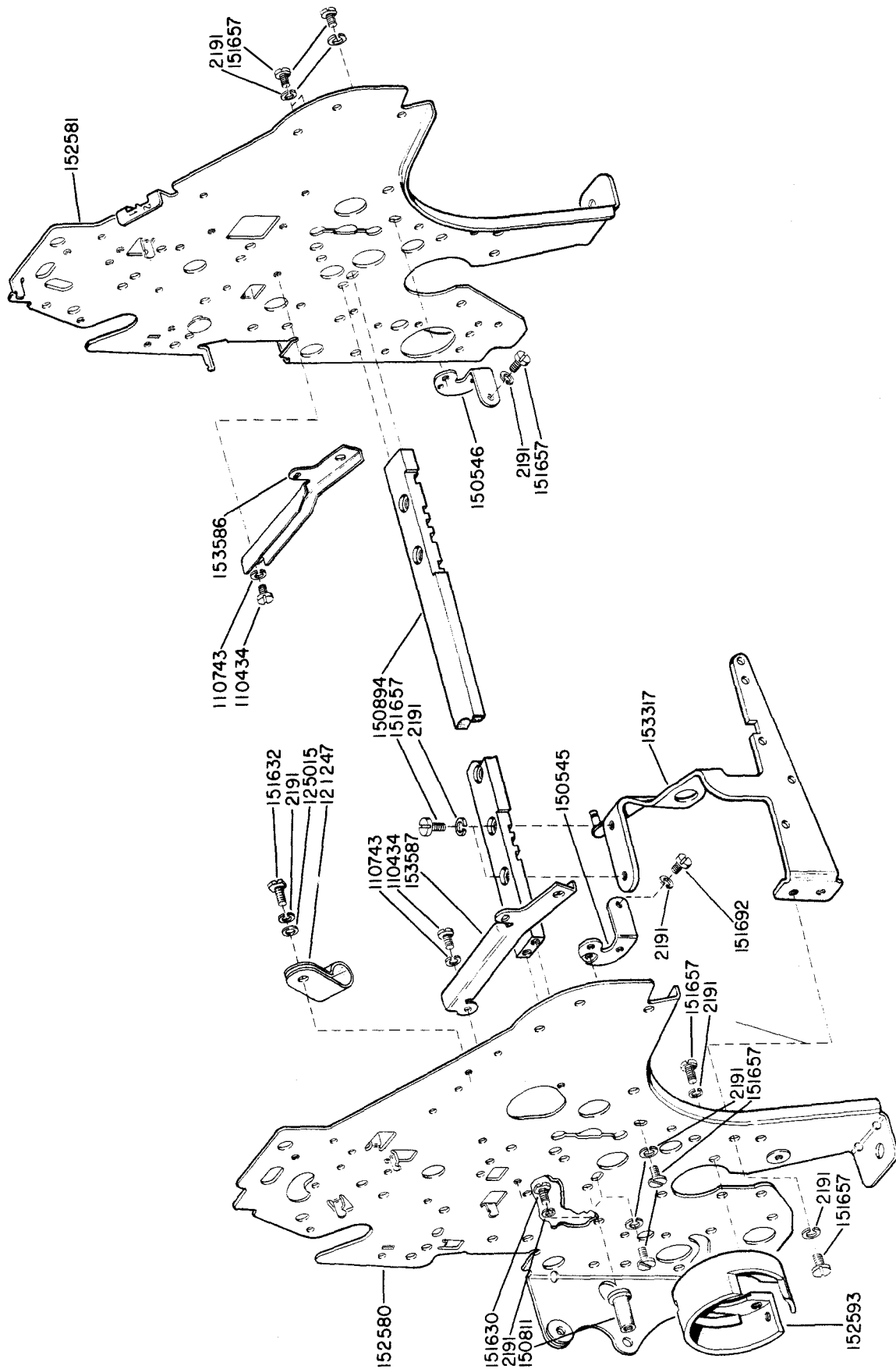


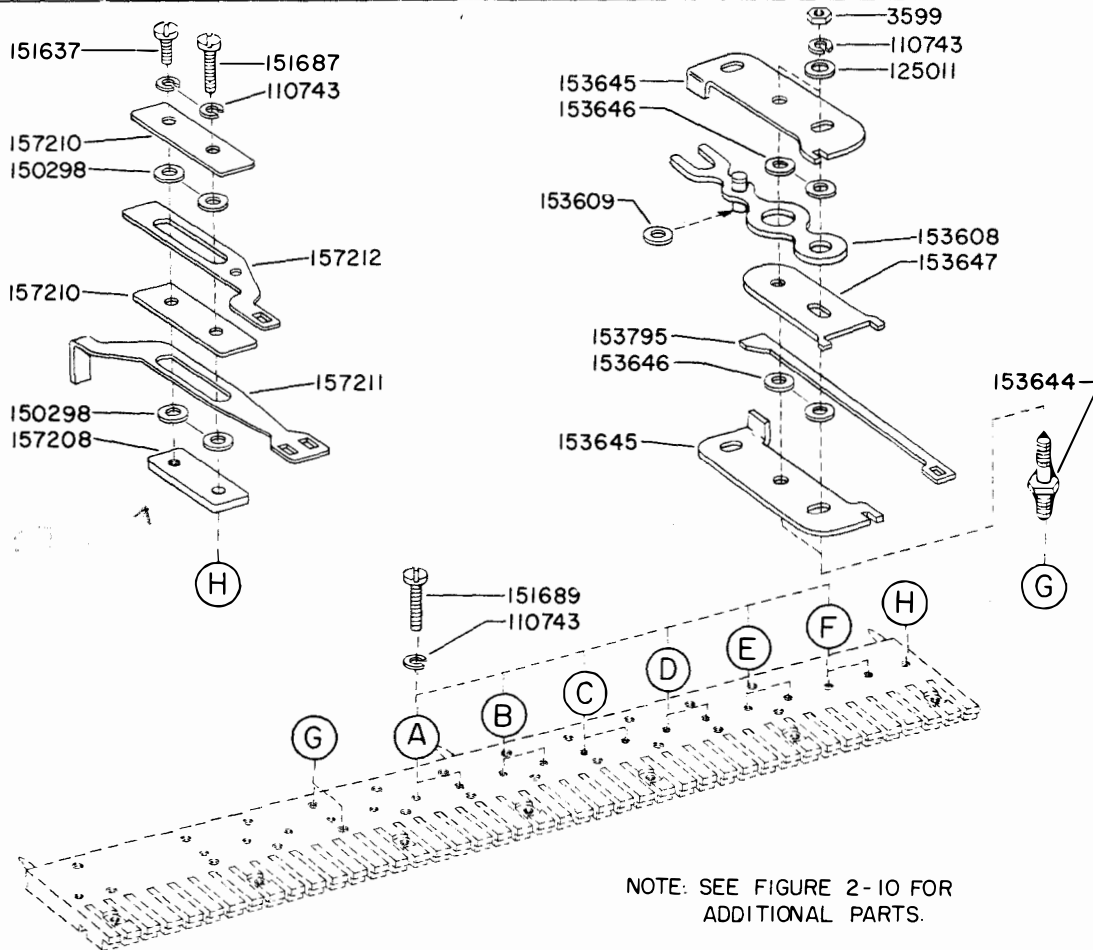
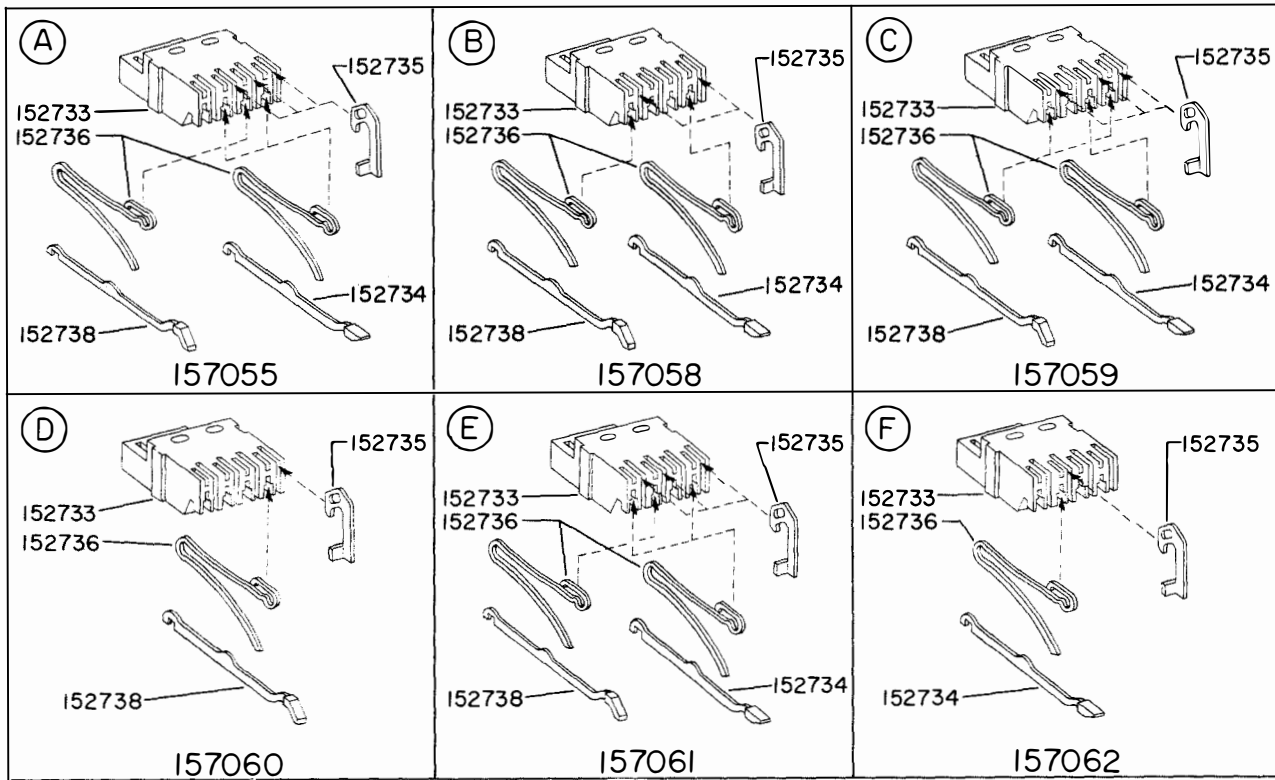
FIGURE 2-9. SIDE FRAMES MECHANISM

NUMERICAL INDEX - FIGURE 2-9

Part Number	Description
2191	Washer, Lock
110434	Screw (4-40 x 1/4 Fil)
110743	Washer, Lock
121247	Clamp, Cable
125015	Washer, Flat
150545	Bracket, Right Function Box
150546	Bracket, Left Function Box
150811	Stud, Follower Arm
150894	Bar, Space Suppression
151630	Screw (6-40 x 1/4 Hex)
151632	Screw (6-40 x 3/8 Hex)
151657	Screw (6-40 x 1/4 Fil)
151692	Screw (6-40 x 3/16 Fil)
152580	Frame, Right Side
152581	Frame, Left Side
152593	Housing, Bearing
153317	Bracket, Bearing
153586	Guide, Stunt Box Left
153587	Guide, Stunt Box Right

NUMERICAL INDEX - FIGURE 2-10

Part Number	Description	Part Number	Description
2191	Washer, Lock	155121	Bar, Function (V)
3606	Nut (6-40)	155124	Bar, Function (Y)
4586	Washer, Felt	155311	Bar, Function (UNIV)
4703	Spring, Function Bar	157203	Stud, Shoulder
5740	Screw (2-56 x 1/4 Fil.)	157205	Lever with Pin, Function
72522	Wick, Felt	157206	Lever with Pin, Function
90517	Spring, Function Lever	157207	Lever, Function
109839	Spring	157213	Bracket, Guide
110743	Washer, Lock	157214	Pin, Plunger
119649	Ring, Retaining	157240	Spring
119652	Ring, Retaining	157268	Blade, Stripper Bail
119653	Ring, Retaining	157269	Cable
150543	Screw (3-48 x 9/32 Fil.)	157270	Cable Assembly
150544	Handle, Stunt Box	157273	Connector, Stunt Box
150547	Shaft		
150689	Block, Guide		
151626	Lug, Terminal		
151637	Screw (4-40 x 1/4 Fil.)		
151657	Screw (6-40 x 1/4 Fil.)		
151692	Screw (6-40 x 3/16 Fil.)		
151739ADA	Screw, Identification (6-40)		
152089	Latch, Function Lever		
152121	Lever, Function Lever		
152298	Lever, Function		
152299	Lever, Function		
152441	Washer, Flat		
152547	Shaft		
152642	Lever, Function		
152651	Plate, Function Bar Guide and Spring		
152652	Bar, Function Lever Guide		
152653	Pawl, Function		
152660	Plate, Spring		
152665	Bar, Function (LTR)		
152666	Bar, Function (FIG)		
152667	Bar, Function (CR)		
152668	Bar, Function (LF)		
152669	Bar, Function (BL)		
152683	Bar, Function (H)		
152889	Plate, Retaining		
153291	Arm		
153294	Cam, Stripper Blade		
153295	Shaft		
153298	Bracket, Right Mounting		
153299	Bracket, Left Mounting		
153301	Arm, Stripper Blade Driving		
153322	Guide, Function Lever		
153581	Handle, Stunt Box		
154613	Latch, Function Lever		
154990	Arrangement, ADA Stunt Box		
155073	Shaft		
155099	Screw, Shoulder (6-40)		
155100	Bar, Function (A)		
155101	Bar, Function (B)		
155102	Bar, Function (C)		
155103	Bar, Function (D)		
155116	Bar, Function (Q)		
155117	Bar, Function (R)		



NOTE: SEE FIGURE 2-10 FOR
ADDITIONAL PARTS.

FIGURE 2-11. I54990 ADA STUNT BOX ARRANGEMENT

NUMERICAL INDEX - FIGURE 2-11

Part Number	Description
3599	Nut (4-40)
110743	Washer, Lock
125011	Washer, Flat
150298	Bushing
151637	Screw (4-40 x 1/4 Fil.)
151687	Screw (4-40 x 7/16 Fil.)
151689	Screw (4-40 x 3/4 Fil.)
152733	Block, Contact
152734	Arm, Contact
152735	Terminal, Contact
152736	Spring
152738	Arm, Contact
153608	Fork
153609	Roller
153644	Stud
153645	Plate, Guide
153646	Bushing
153647	Plate
153795	Slide
154990	Arrangement, ADA Stunt Box
157055	Assembly, Switching
157058	Assembly, Switching
157059	Assembly, Switching
157060	Assembly, Switching
157061	Assembly, Switching
157062	Assembly, Switching
157208	Plate, Bottom
157210	Plate
157211	Slide
157212	Slide, Indicator



1160B

SECTION 3
MOTOR UNIT AND GEAR SETS

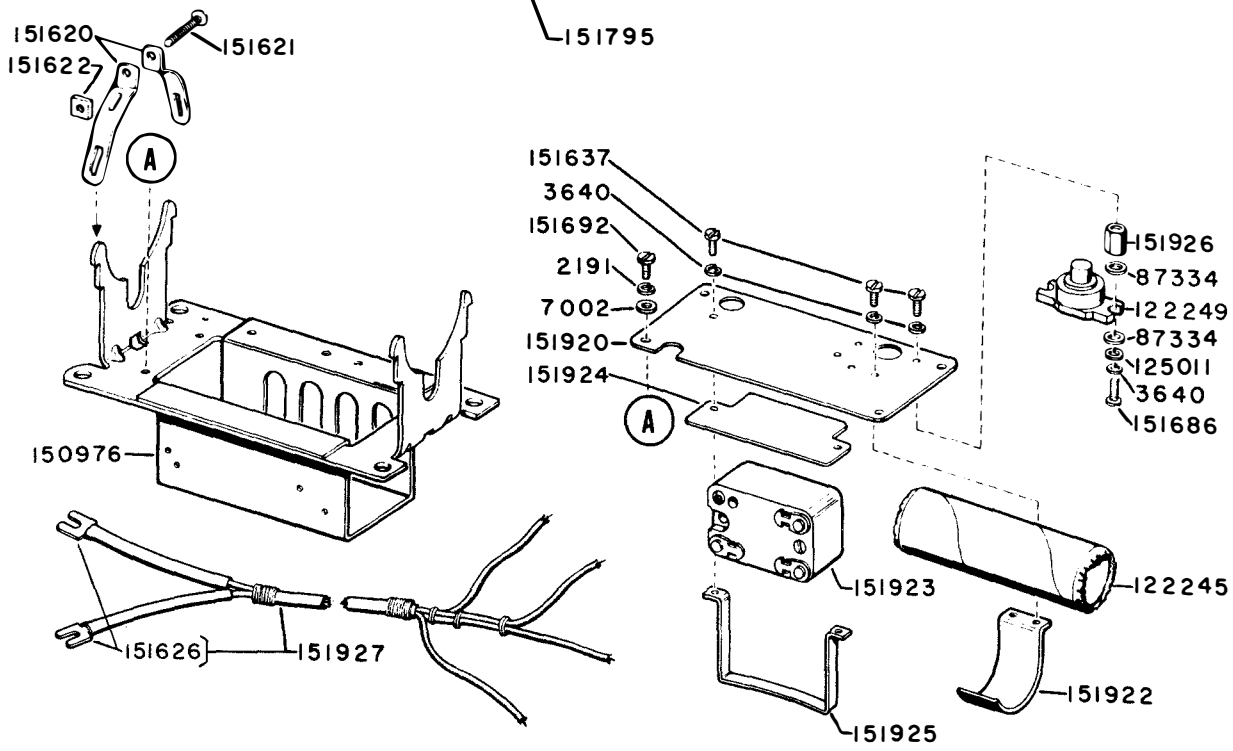
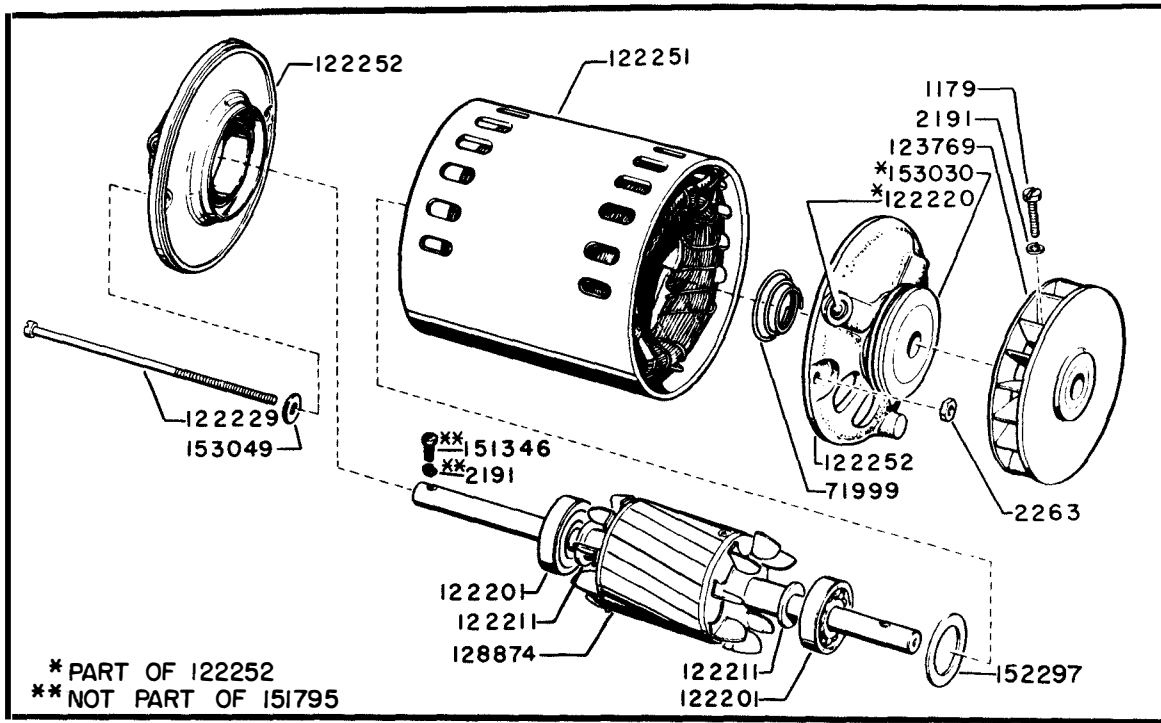
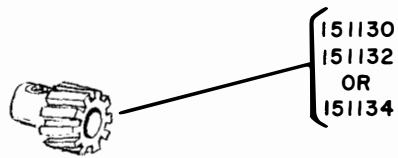
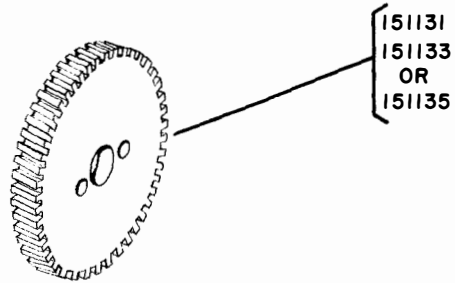


FIGURE 3-1. SYNCHRONOUS MOTOR UNIT

NUMERICAL INDEX - FIGURE 3-1

Part Number	Description
1179	Screw (6-40 x 5/8 Fil.)
2191	Washer, Lock
2263	Nut (8-32)
3640	Washer, Lock
7002	Washer, Flat
71999	Spring, Preloading
87334	Washer, Insulating
122201	Bearing, Ball
122211	Washer, Pull
122220	Oiler (Cup), Ball
122229	Bolt, Clamp
122245	Capacitor, Fixed
122249	Switch, Thermostatic
122251	Stator, Motor
122252	End Bell
123769	Fan, Synchronous Motor
125011	Washer, Flat
128874	Rotor, Motor
150976	Bracket, Motor
151346	Screw (6-40 x 3/8 Fil.)
151620	Strap, Motor Mounting
151621	Screw (6-32 x 3/4 Rd)
151622	Nut (6-32)
151626	Lug, Terminal
151637	Screw (4-40 x 1/4 Fil.)
151686	Screw (4-40 x 3/8 Fil.)
151692	Screw (6-40 x 3/16 Fil.)
151795	Motor, A.C. Synchronous
151920	Plate, Relay, Capacitor Mounting
151922	Clamp, Capacitor
151923	Relay
151924	Insulator, Relay
151925	Clamp, Relay
151926	Nut (4-40)
151927	Cable, Synchronous Motor Unit
152297	Washer, Flat
153030	Mount, Vibration (Cushion Ring)
153049	Washer, Fiber



GEAR SETS			
SET NUMBER	DRIVING GEAR	DRIVEN GEAR	SPEED
151060	151130	151131	60 WPM
151075	151132	151133	75 WPM
151100	151134	151135	100 WPM

FIGURE 3-2. GEAR SETS

NUMERICAL INDEX - FIGURE 3-2

Part Number	Description
151060	Gear Set (60 WPM)
151075	Gear Set (75 WPM)
151100	Gear Set (100 WPM)
151130	Pinion, Motor
151131	Gear, Intermediate Driven
151132	Pinion, Motor
151133	Gear, Intermediate Driven
151134	Pinion, Motor
151135	Gear, Intermediate Driven



1160B

SECTION 4
NUMERICAL INDEX

NUMERICAL INDEX

Numbers following the description indicate the page.

250M	Coil, Magnet, 2-4	111017	Screw (6-40 x 5/16 Fil), 1-2
1179	Screw (6-40 x 5/8 Fil), 3-2	112626	Nut (10-32), 1-2,2-6,2-10
2191	Washer, Lock, 1-2,2-2,2-4,2-6,2-8, 2-10,2-12,2-14,2-16,2-18,3-2	119649	Ring, Retaining, 2-18
2263	Nut (8-32), 3-2	119652	Ring, Retaining, 2-8,2-10,2-14,2-18
2438	Washer, Flat, 2-4	119653	Ring, Retaining, 2-18
2539	Nut (3/8-32), 2-10,2-14	119654	Ring, Retaining, 2-10
2669	Washer, Lock, 1-2,2-6,2-10,2-14	121244	Clamp, Cable, 2-4
3438	Washer, Flat, 1-2	121247	Clamp, Cable, 2-16
3598	Nut (6-40), 1-2,2-4,2-6,2-8,2-10 2-12,2-14	122201	Bearing, Ball, 3-2
3599	Nut (4-40), 2-4,2-6,2-20	122211	Washer, Pull, 3-2
3606	Nut (6-40), 2-8,2-18	122220	Oiler (Cup), Ball, 3-2
3640	Washer, Lock, 3-2	122229	Bolt, Clamp, 3-2
3649	Washer, Flat, 2-8	122245	Capacitor, Fixed, 3-2
4586	Washer, Felt, 2-18	122249	Switch, Thermostatic, 3-2
4703	Spring, 2-18	122251	Stator, Motor, 3-2
5740	Screw (2-56 x 1/4 Fil), 2-18	122252	End Bell, 3-2
6745	Screw (10-32 x 1/2 Hex), 2-14	123769	Fan, Synchronous Motor, 3-2
6800	Screw, Shoulder (6-40), 2-10	124177	Washer, Lock, 2-6
7002	Washer, Flat, 2-4,2-6,2-8,2-10,2-12 3-2	125011	Washer, Flat, 2-6,2-8,2-14,2-20,3-2
8330	Washer, Flat, 2-6,2-8,2-10	125015	Washer, Flat, 2-4,2-16
8449	Collar, 2-10	128874	Rotor, Motor, 3-2
41382	Spring, 2-6	130683	Washer, Lock, 2-4
42823	Washer, Flat, 2-12	150000	Drum, Clutch, 2-12
42827	Screw (3-48 x 1/4 Fil), 2-2	150001	Drum, Clutch, 2-12
70388	Spring, 2-10	150004	Cam, 2-12
71999	Spring, Preloading, 3-2	150013	Disk, Adjusting, 2-12
72522	Wick, Felt, 2-18	150016	Spacer, Clutch, 2-12
73175	Washer, Lock, 2-10,2-14	150026	Lever, Shoe Release, 2-12
74283	Washer, Spring, 2-6	150028	Disk, 2-12
74547	Collar, 2-10	150029	Wick, Felt, 2-12
74701	Spring, 2-10	150040	Screw (6-40 x 5/8 Fil), 2-10,2-12
74712	Spring, 2-10	150043	Shoe (secondary), 2-12
74785	Roller, 2-10	150044	Shoe (primary), 2-12
78029	Wick, Felt, 2-14	150047	Bearing, 2-12
78533	Spring, 2-6	150048	Spring, 2-6
81778	Screw (4-40 x 3/16 Fil), 2-4	150050	Spacer, Clutch, 2-12
87334	Washer, Insulating, 3-2	150051	Cam, Eccentric, 2-12
89096	Washer, Felt, 2-12	150055	Stud, 2-8
90517	Spring, 2-18	150056	Arm, 2-12
90679	Washer, Felt, 2-8	150089	Screw (4-40 x 1/2 Fil), 2-4
90819	Washer, Felt, 2-10,2-14	150241	Spring, 2-12
93356	Washer, Felt, 2-10,2-14	150288	Bracket, 2-2
93758	Washer, Felt, 2-10	150289	Stud, 2-2
95827	Bushing, 2-10	150293	Plate, Retaining, 2-2
96717	Screw, Shoulder, 2-6	150298	Bushing, 2-20
108199	Wick, Felt, 2-10	150301	Plate, Retaining, 2-2
109757	Washer, Felt, 2-14	150302	Shim, 2-2
109839	Spring, 2-18	150304	Bracket, Guide, 2-2
110434	Screw (4-40 x 1/4 Fil), 2-2,2-6 2-14,2-16	150348	Shaft, 2-10
110435	Nut (4-40), 2-8	150349	Arm, Follower, 2-10
110436	Spring, 2-10	150350	Shaft, 2-10
110743	Washer, Lock, 2-2,2-4,2-6,2-8,2-12, 2-14,2-16,2-18,2-20	150352	Bushing, 2-10
		150355	Lever, Latch, 2-10
		150356	Lever, Trip, 2-10
		150398	Stud, Pivot, (Left), 2-14
		150414	Bushing, 2-14
		150419	Shaft, 2-14

NUMERICAL INDEX

150423	Stud, Pivot, (Right), 2-14	151607	Retainer, Spring, 2-4
150438	Crank, Bell, 2-10	151610	Washer, Flat, 2-10
150439	Gear, Helical Driven, 2-12	151618	Screw (6-40 x 7/16 Fil), 2-2,2-10
150440	Hub, 2-12	151620	Strap, Mounting, 3-2
150444	Lever, 2-10	151621	Screw (6-32 x 3/4 Rd), 3-2
150447	Arm, 2-8	151622	Nut (6-32), 3-2
150450	Arm, 2-8	151626	Lug, Terminal, 2-4,3-2
150451	Link, 2-8	151627	Rod, 2-14
150452	Bearing, 2-8	151629	Nut (6-40), 2-8,2-10
150453	Shaft, 2-8	151630	Screw (6-40 x 1/4 Hex), 2-2,2-4,2-6 2-8,2-10,2-12,2-16
150471	Stud, 2-8	151631	Screw (6-40 x 5/16 Hex), 1-2,2-8
150475	Bracket, Retaining, 2-8	151632	Screw (6-40 x 3/8 Hex), 2-16
150479	Stud, 2-6	151633	Bearing, Ball, 2-12
150481	Shaft, 2-8	151637	Screw (4-40 x 1/4 Fil), 2-4,2-18 2-20,3-2
150482	Plate, 2-8	151640	Lever, Shoe Release, 2-12
150507	Spring, 2-8	151642	Screw (6-40 x 3/4 Fil), 2-12
150525	Bracket, 2-8	151657	Screw (6-40 x 1/4 Fil), 1-2,2-2,2-6 2-8,2-14,2-16,2-18
150535	Spring, 2-2	151658	Screw (6-40 x 5/16 Fil), 1-2,2-4 2-8,2-14
150537	Ball, Bearing, 2-2	151660	Screw (6-40 x 7/8 Fil), 2-12
150543	Screw (3-48 x 9/32 Fil), 2-18	151667	Roller, 2-8
150544	Handle, 2-18	151668	Roller, 2-8
150545	Bracket (Right), 2-16	151669	Stud, 2-8
150546	Bracket (Left), 2-16	151670	Bracket, 2-8
150547	Shaft, 2-18	151676	Shim, 2-8
150563	Spring, 2-8	151678	Screw, Mounting (1/4-32), 1-2
150687	Stud, 2-6	151685	Screw (4-40 x 5/16 Fil), 2-14
150689	Block, Guide, 2-18	151686	Screw (4-40 x 3/8 Fil), 2-4,3-2
150811	Stud, 2-16	151687	Screw (4-40 x 7/16 Fil), 2-20
150894	Bar, 2-16	151688	Screw (4-40 x 5/8 Fil), 2-4,2-12
150923	Washer, Felt, 2-10	151689	Screw (4-40 x 3/4 Fil), 2-12,2-20
150966	Insulator, 1-2	151691	Screw (10-32 x 3/8 Fil), 2-10
150970	Bearing, 2-12	151692	Screw (6-40 x 3/16 Fil), 2-6,2-10 2-14,2-16,2-18,3-2
150976	Bracket, Motor, 3-2	151693	Screw (6-40 x 9/16 Fil), 2-12
150978	Screw (6-40 x 1-1/8 Fil), 2-8	151701	Spring, Torsion, 2-6
150990	Washer, Felt, 2-8,2-14	151712	Button, Pivot, 1-2
151060	Gear Set (60 WPM), 3-4	151714	Spring, 2-6
151075	Gear Set (75 WPM), 3-4	151715	Spring, 2-4
151100	Gear Set (100 WPM), 3-4	151721	Screw (6-40 x 3/4 Hex), 2-8
151103	Spring, 2-6	151722	Screw (6-40 x 3/16 Hex), 2-4
151113	Strip, 1-2	151723	Screw (10-32 x 3/8 Hex), 1-2
151118	Plate, Spacing, 1-2	151724	Screw (10-32 x 5/8 Hex), 1-2
151126	Spacer, 1-2	151725	Screw (10-32 x 3/4 Fil), 1-2
151127	Shaft, 1-2	151728	Spring, 2-12
151129	Gear, Typing Unit Intermediate, 1-2	151737	Screw (4-40 x 11/64 Hex), 2-12
151130	Pinion, Motor, 3-4	151739ADA	Screw, Identification, (6-40), 2-18
151131	Gear, Intermediate Driven, 3-4	151795	Motor, A.C. Synchronous, 3-2
151132	Pinion, Motor, 3-4	151818	Assembly, Jumper, 2-4
151133	Gear, Intermediate Driven, 3-4	151920	Plate, Mounting, 3-2
151134	Pinion, Motor, 3-4	151922	Clamp, 3-2
151135	Gear, Intermediate Driven, 3-4	151923	Relay, 3-2
151146	Strap, Mounting, 1-2	151924	Insulator, 3-2
151152	Screw (4-40 x 3/16 Hex), 2-2	151925	Clamp, 3-2
151219	Plate, 1-2	151926	Nut (4-40), 3-2
151222	Washer, Felt, 2-8	151927	Assembly, Cable, 3-2
151228	Bracket w/bearing, 1-2	152045	Guard, 1-2
151335	Stud, 1-2	152089	Latch, 2-18
151346	Screw (6-40 x 3/8 Fil), 1-2,3-2		
151415	Block, Terminal, 1-2		
151416	Nut (6-40), 1-2		
151603	Spacer, 2-4		
151606	Screw (10-32 x 1/4 Hex), 2-10		

NUMERICAL INDEX

152121	Lever, 2-18	152636	Lever, Transfer (2), 2-8
152255	Bar w/retainer, 2-2	152637	Lever, Transfer (3), 2-8
152256	Bar, Code (1,2 & Common), 2-2	153638	Lever, Transfer (4), 2-8
152257	Spring, 2-2	152639	Lever, Transfer (5), 2-8
152297	Washer, Flat, 3-2	152640	Lever, Transfer (C), 2-8
152298	Lever, Function, 2-18	152642	Lever, 2-18
152299	Lever, Function, 2-18	152651	Plate, Guide, 2-18
152400	Plate, 2-6	152652	Bar, Guide, 2-18
152401	Guide, 2-6	152653	Pawl, 2-18
152402	Guide, 2-6	152660	Plate, Spring, 2-18
152403	Bracket, 2-6	152662	Shaft, 2-8
152404	Bracket, 2-6	152663	Guide, 2-8
152405	Lever, 2-6	152665	Bar, (LTR), Function, 2-18
152406	Bracket, 2-6	152666	Bar, (FIG), Function, 2-18
152407	Lever, Lock, 2-6	152667	Bar, (CR), Function, 2-18
152408	Lever, Start, 2-6	152668	Bar, (LF), Function, 2-18
152409	Lever, Selecting, 2-6	152669	Bar, (BL), Function, 2-18
152410	Bail, Reset, 2-6	152683	Bar, (H), Function, 2-18
152411	Lever, Push, 2-6	152726	Bushing, 2-10
152412	Link, 2-6	152733	Block, Contact, 2-20
152415	Stud, 2-4	152734	Arm, Contact, 2-20
152420	Lamination, 2-4	152735	Terminal, Contact, 2-20
152421	Bracket, 2-4	152736	Spring, 2-20
152423	Bracket, 2-4	152738	Arm, Contact, 2-20
152424	Plate, Stop, 2-4	152887	Screw (4-40 x 1/2 Hex), 2-12
152425	Post, Spring, 2-4	152889	Plate, Retainer, 2-18
152426	Nut, Self Locking (6-40), 2-4	152891	Spring, 2-6
152427	Lever (w/hub), Latch, 2-6	152893	Screw (4-40 x 1/4 Hex), 2-8
152429	Rack w/hub, Sector, 2-6	153030	Mount, Vibration, 3-2
152432	Arm w/hub, Stop, 2-6	153049	Washer, Fiber, 3-2
152436	Knob, 2-6	153184	Post, 2-4
152438	Bail, 2-6	153291	Arm, 2-18
152439	Shaft, 2-6	153292	Plate, 2-12
152440	Bushing, 2-6	153293	Spacer, Clutch, 2-12
152441	Washer, Flat, 2-6,2-18	153294	Cam, Stripper Blade, 2-18
152445	Spring, 2-6	153295	Shaft, 2-18
152447	Shaft, 2-12	153296	Eccentric, 2-12
152450	Cam, Selector, 2-12	153298	Bracket, Right Mounting, 2-18
152456	Holder, Wick, 2-8	153299	Bracket, Left Mounting, 2-18
152457	Wick, Felt, 2-8	153300	Arm, 2-12
152458	Shield, 2-4	153301	Arm, Stripper Blade Driving, 2-18
152537	Clamp, 2-12	153315	Bracket, 2-2
152538	Plate, Front, 2-10	153317	Bracket, Bearing, 2-16
152546	Bracket, 2-8	153319	Bar, Code, 2-2
152547	Shaft, 2-18	153320	Bar, Code (Suppression), 2-2
152548	Bar, 2-2	153321	Bracket, Tie, 2-2
152551	Bar, Code (4 & 5), 2-2	153322	Guide, Function Lever, 2-20
152552	Bar, Code (3), 2-2	153323	Ring, 2-12
152553	Bar, Code (Shift and Unshift), 2-2	153326	Blade, 2-14
152572	Bracket, 2-2	153489	Detent, 2-6
152573	Retainer, 2-12	153491	Plate, 2-6
152574	Plate, 2-2	153543	Armature, 2-4
152575	Bracket, 2-2	153545	Bracket, 2-4
152576	Bracket, 2-2	153550	Link, 2-14
152580	Frame, Right Side, 2-16	153553	Roller, 2-14
152581	Frame, Left Side, 2-16	153554	Bracket, w/stud, 2-14
152583	Bearing, Sleeve, 2-8	153558	Link, w/bushings, 2-14
152584	Lever, 2-8	153560	Shaft, w/bushings, 2-14
152585	Lever, 2-8	153562	Shaft, 2-14
152593	Housing, Bearing, 2-16	153573	Bail, 2-14
152634	Washer, Flat, 2-10	153574	Roller, 2-14
152635	Lever, Transfer (1), 2-8	153576	Cam, Function, 2-12

NUMERICAL INDEX

153577	Washer, Felt, 2-14	157272	Insulator, 2-4
153579	Bracket, Spring, 2-14	157273	Connector, Stunt Box, 2-18
153580	Bracket, Cam, 2-14	157300	Base, 1-2
153581	Handle, Stunt Box, 2-18		
153583	Lever, Trip, 2-10		
153584	Lever, Latch, 2-10		
153585	Clamp, 2-14		
153586	Guide, Left, 2-16		
153587	Guide, Right, 2-16		
153608	Fork, 2-20		
153609	Roller, 2-20		
153644	Stud, 2-20		
153645	Plate, Guide, 2-20		
153646	Bushing, 2-20		
153647	Plate, 2-20		
153795	Slide, 2-20		
153819	Washer, Lock, 2-2		
153823	Collar, 2-12		
153824	Clamp, 2-12		
153839	Screw (6-40 x 5/8 Hex), 2-10		
154613	Latch, Function Lever, 2-18		
154688	Spring, 2-14		
154699	Stud, Location, 1-2		
154990	Arrangement, ADA Stunt Box, 2-18,2-20		
155044	Spacer, 2-12		
155046	Screw (4-40 x 5/32 Hex), 2-12		
155047	Disk, w/bushings, 2-12		
155073	Shaft, 2-18		
155099	Screw, Shoulder (6-40), 2-18		
15510C	Bar, Function (A), 2-18		
155101	Bar, Function (B), 2-18		
155102	Bar, Function (C), 2-18		
155103	Bar, Function (D), 2-18		
155116	Bar, Function (Q), 2-18		
155117	Bar, Function (R), 2-18		
155121	Bar, Function (V), 2-18		
155124	Bar, Function (Y), 2-18		
155311	Bar, Function (UNIV), 2-18		
157055	Assembly, Switching, 2-20		
157058	Assembly, Switching, 2-20		
157059	Assembly, Switching, 2-20		
157060	Assembly, Switching, 2-20		
157061	Assembly, Switching, 2-20		
157062	Assembly, Switching, 2-20		
157203	Stud, Shoulder, 2-18		
157205	Lever w/pin, Function, 2-18		
157206	Lever w/pin, Function, 2-18		
157207	Lever, Function, 2-18		
157208	Plate, Bottom, 2-20		
157209	Plate, 2-10		
157210	Plate, 2-20		
157211	Slide, 2-20		
157212	Slide, Indicator, 2-20		
157213	Bracket, Guide, 2-18		
157214	Pin, Plunger, 2-18		
157240	Spring, 2-18		
157267	Collar, 2-12		
157268	Blade, Stripper Bail, 2-18		
157269	Cable, 2-18		
157270	Assembly, Cable, 2-18		
157271	Bracket, 2-4		

