

SIGNAL DISTORTION TEST SET (DXD)

PARTS

FIGURE	CONTENTS	PAGE	FIGURE	CONTENTS	PAGE
1	Panels, Cover and Base	3	10	Interchangeable Segment Code Disks for 8 Level Unit	10
2	Disk Mechanism and Hood	4	11	176496 Rectifier Assembly	11
3	Contact and Code Disk Mechanism	5	12	Alternate 1, 3, 5, 7, 2, 4, 6, 8 Mechanism for 8 Level Unit Only	12
4	Code Cylinder and Components	6	13	122391** Modification Kit for Transmission of Alternate R-Y Signals (5 Level)	13
5	Base with Electrical Components (Bottom View)	7	14	Synchronous Motor Unit (MU4)	14
6	96814 Resistor Assembly 150-300-600 Ohms	8	15	Gear Sets Chart for Synchronous Motor	14
7	97571 Resistor Assembly 250-500-1000 Ohms	8	16	Governed Motor Unit (MU26)	15
8	99250 Suppressor Assembly	8	17	Gear Sets Chart for Series Motor	15
9	115836 Modification Kit to Equip 5 Level Units with Interchangeable Segment Code Disks	9	18	Governed Motor Unit (MU29)	16
			19	Gear Sets Chart for DC Motor	16
				Numerical Index	17

PAINT FINISH COLOR CODE CHART (for parts and assemblies requiring a paint finish)														
Color	Finish Suffixes				Color	Finish Suffixes								
	Wrinkle Finish	Smooth Finish	Textured Vinyl	Smooth Vinyl		Wrinkle Finish	Smooth Finish	Textured Vinyl	Smooth Vinyl					
Beige	AA (37)	ET		HC	Gray, Federal	AB (40)	BV	GG	HB (68)					
Beige, Light		EL			Gray, Green		BK	GA (45)		HE				
Beige, Rose		ER			Gray, Light		EJ	HF (46)						
Black		BA (34)						Gray, Cover		AJ	BJ	EW	GE	
Black, High Gloss								BB						Gray, Olive
Black, Semi Gloss								EK						Gray, Maritime Deck
Blue, Aqua								EC						Gray, Oxford
Blue, Brussels Light		AD (38)						Green, Gray		AB (40)	BK	GA (45)	HD	
Blue, Medium								ES						Green, Moss
Brown, Dark								AC (39)						
Brown, Light	GC		Pink, Rose											
Fawn	AL	BZ	GF	Turquoise	EU	EV	EH							
Gray, Beige				HA					White					
Gray, Charcoal				GB							Yellow, Pastel			
Gray, Dark														EG

The double asterisk (**) denotes a painted part. Suffix to be applied following the part number. Number in parentheses indicates Bell System code.

Note:

When ordering parts from this section, prefix each number with the letters TP.

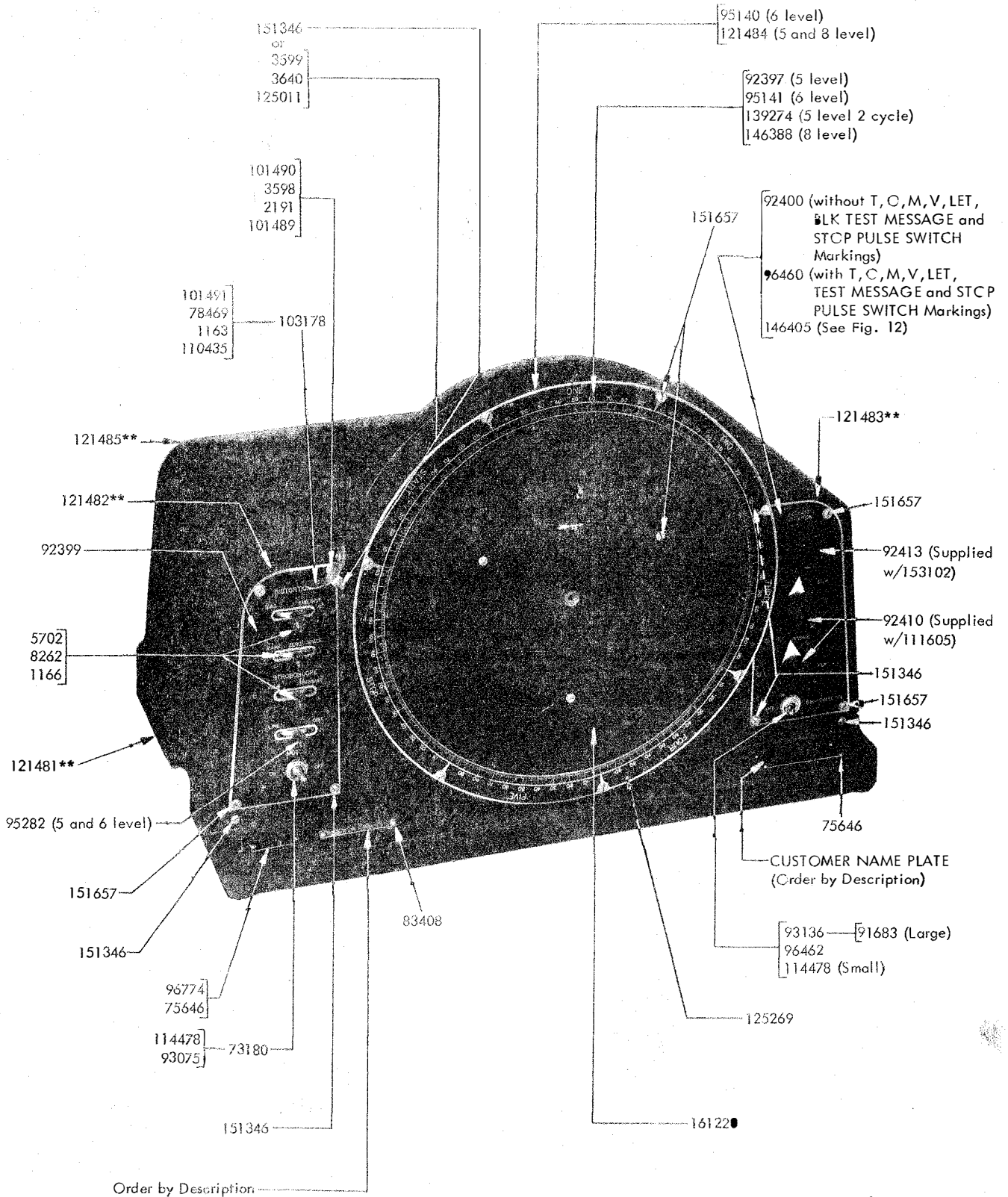
VARIATIONS IN SIGNAL DISTORTION TEST SETS CATALOGED IN THIS SECTION					
Teletype Code	DXD1	DXD3	DXD5	DXD200** (DXD200AA formerly DXD4)	DXD800**
Bell System Code				1A**	1B**
Code Level	5	6	5	5	8
Unit Code	7.42	8-3/8	7.42	7.42	11.0
Transmits repeated R, Y or test message	Yes	Yes	Yes	Yes	Yes
Transmits repeated T, O, M, V, LETTERS, BLANK or code length marking impulse	No	No	Yes	Yes	No
Brake (for signal measuring scale ring)	Included	Not Included	Not Included	Not Included	Not Included
Hood (for improved visibility of code signals)	Not Included	Not Included	Included	Included	Included
Switch (for stop pulse)	Not Included	Not Included	Included	Included	See Note 1
Line and Power Cords	Not Included	Power cord included	Included	Included	Included
Associated Motor Units (See Note 2)	MU4, MU26	MU4, MU26	MU4, MU29	MU4, MU26	MU4, MU26
Wiring Diagram	2151WD	1653WD	2196WD	1653WD	4769WD

NOTE 1: 8th Pulse Marking Switch

NOTE 2: For best results a synchronous motor unit should be used. If regulated AC power is not available, governed motors may be used but the signal viewed on the stroboscope will be somewhat unstable.

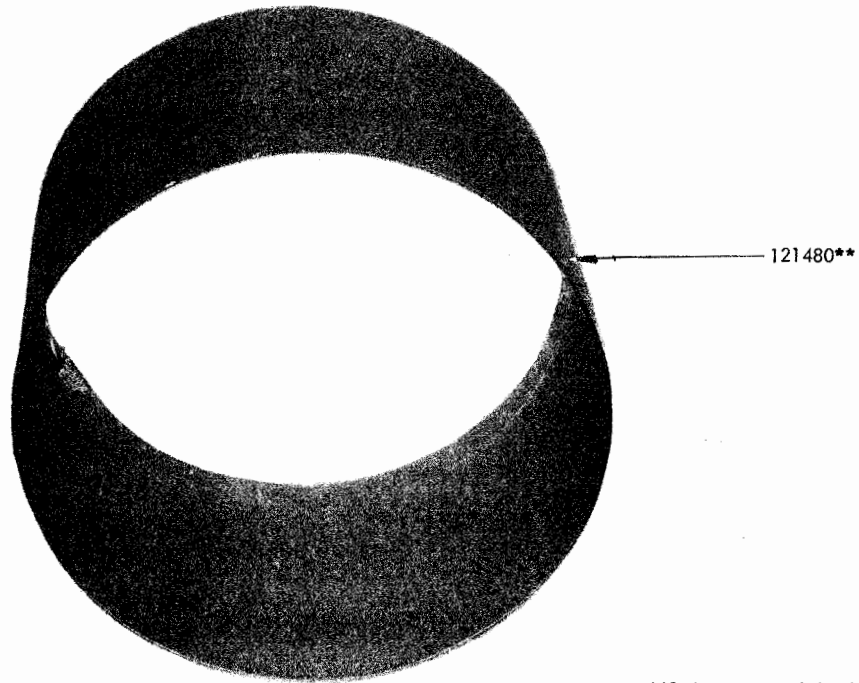
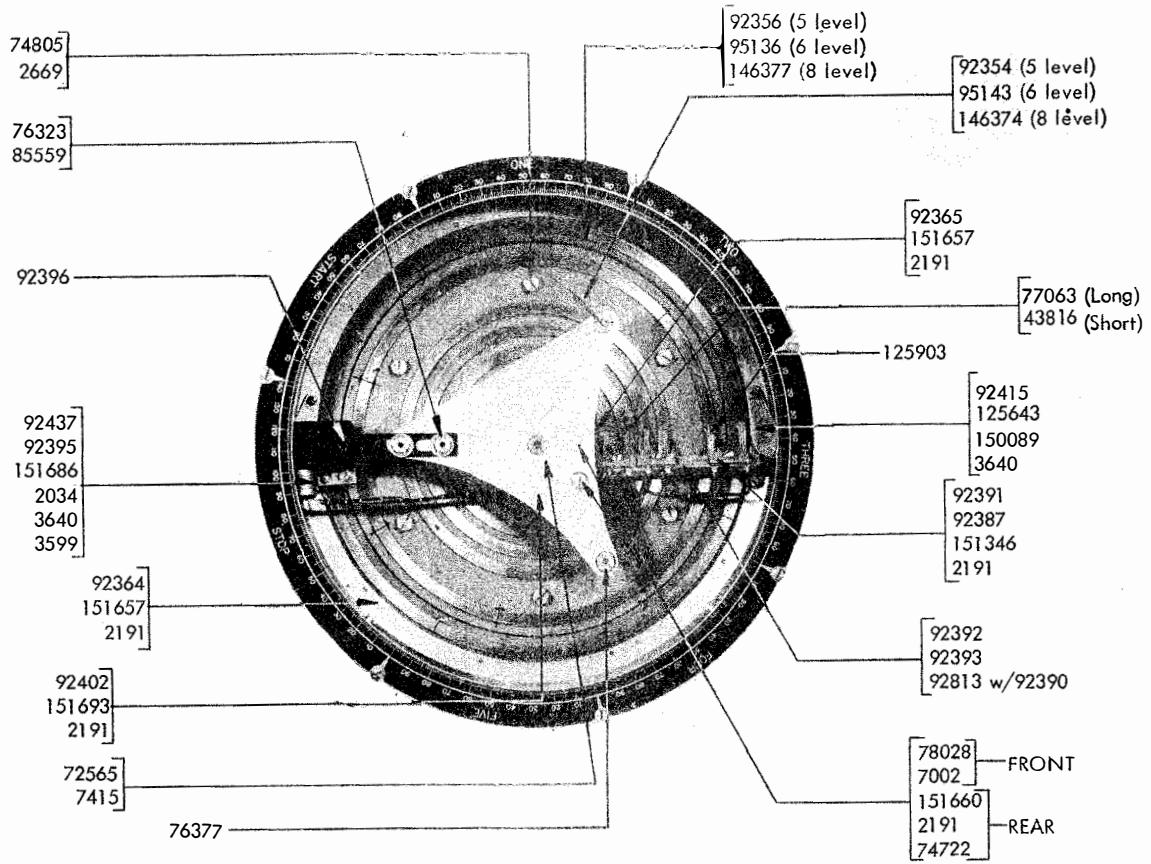
UNIT DESCRIPTION	TELETYPE CODE	BELL SYSTEM CODE
Teletypewriter Test Set	DXD200**	1A**
Teletypewriter Test Set	DXD800**	1B**
Motor Unit	MU4	15D
Gear Sets	96473 (368 OPM, 60 Cycle Synchronous)	1A
	96474 (460 OPM, 60 Cycle Synchronous)	1B
	96572 (368 OPM, AC or DC Governed)	1C
	96573 (460 OPM, AC or DC Governed)	1D
	110897 (600 OPM, 60 Cycle Synchronous)	1E

**Refer to page 1 for finish suffix



**Refer to page 1 for finish suffix

FIGURE 1. PANELS, COVER AND BASE



**Refer to page 1 for finish suffix

FIGURE 2. DISK MECHANISM AND HOOD

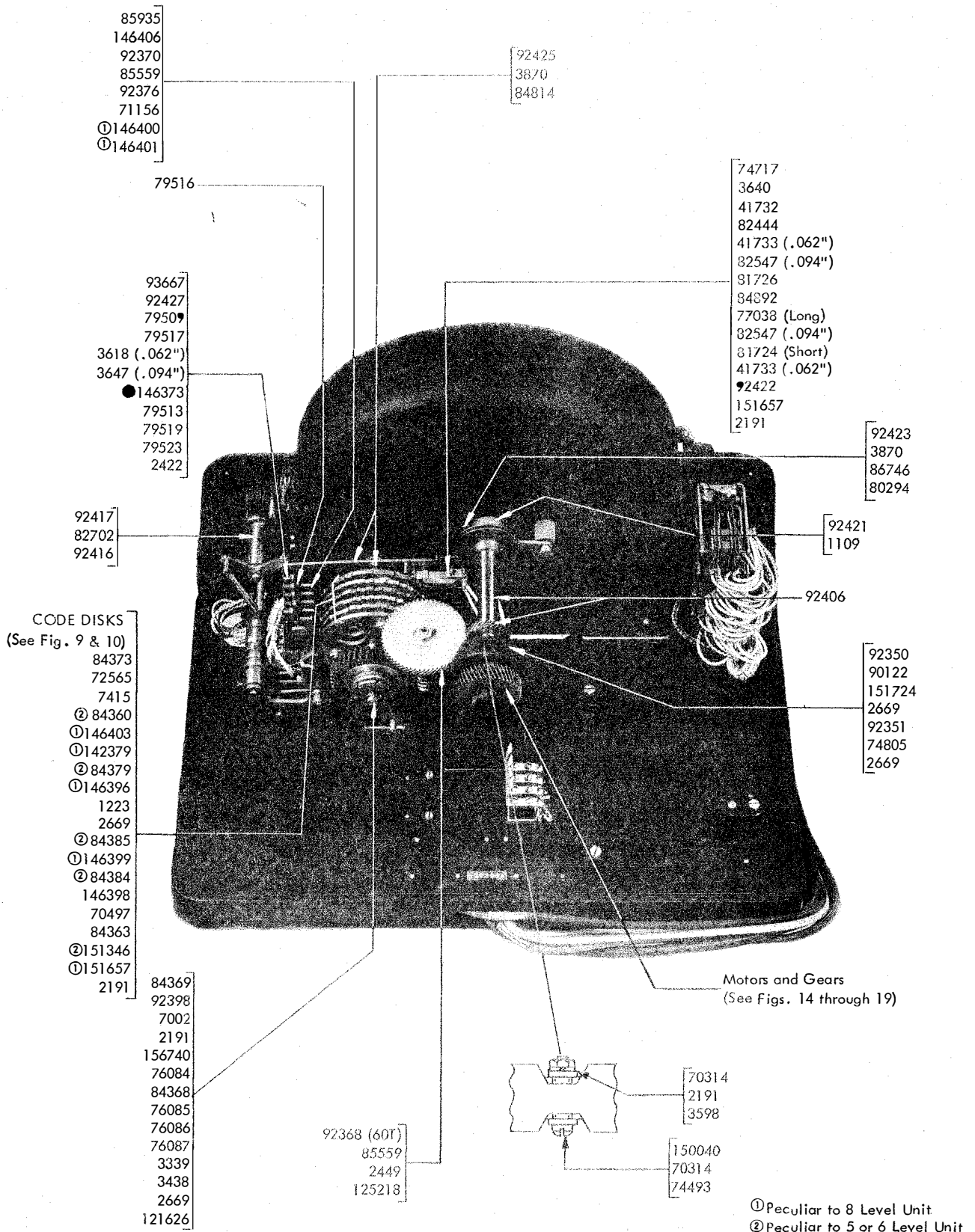


FIGURE 3. CONTACT AND CODE DISK MECHANISM

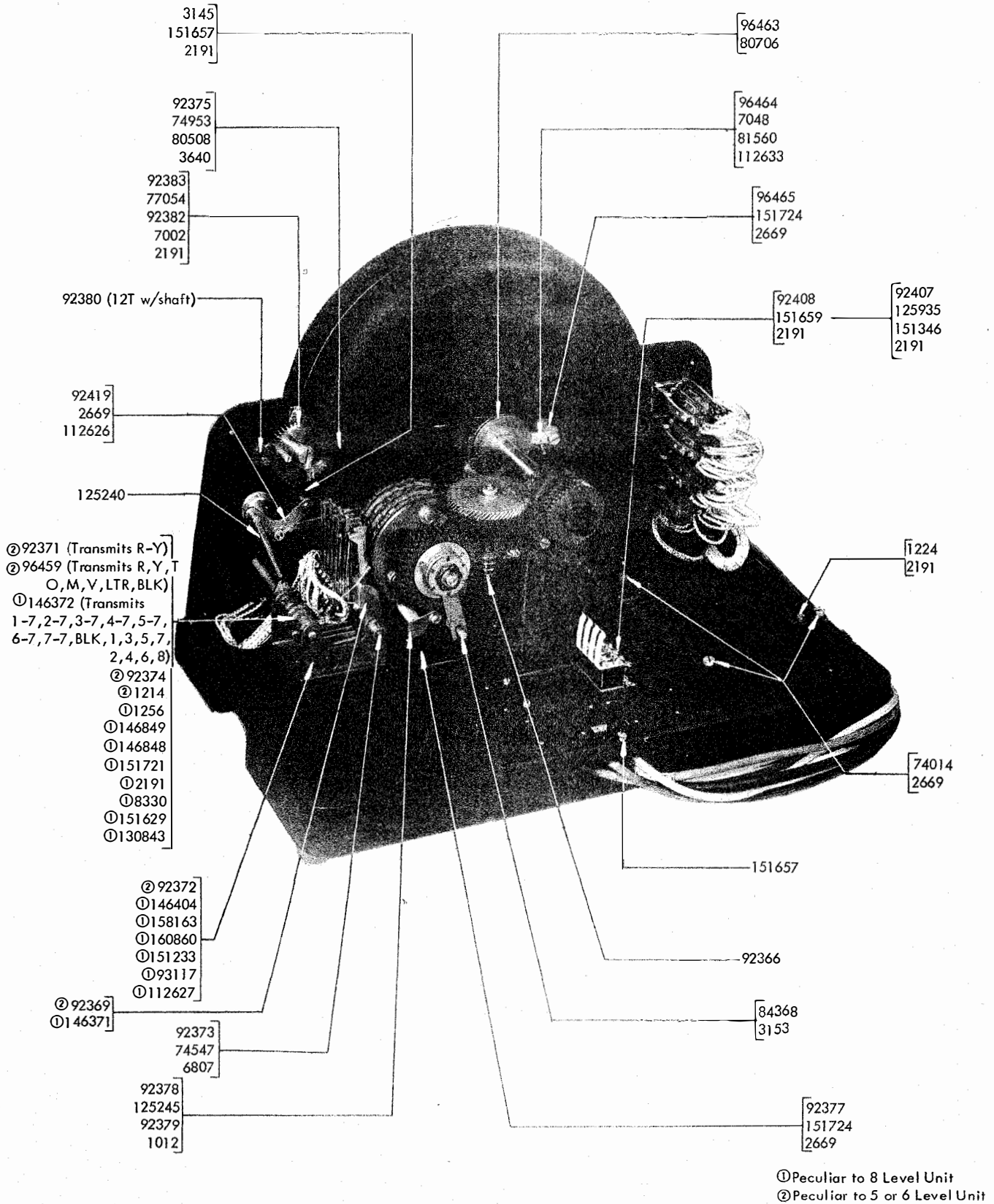


FIGURE 4. CODE CYLINDER AND COMPONENTS

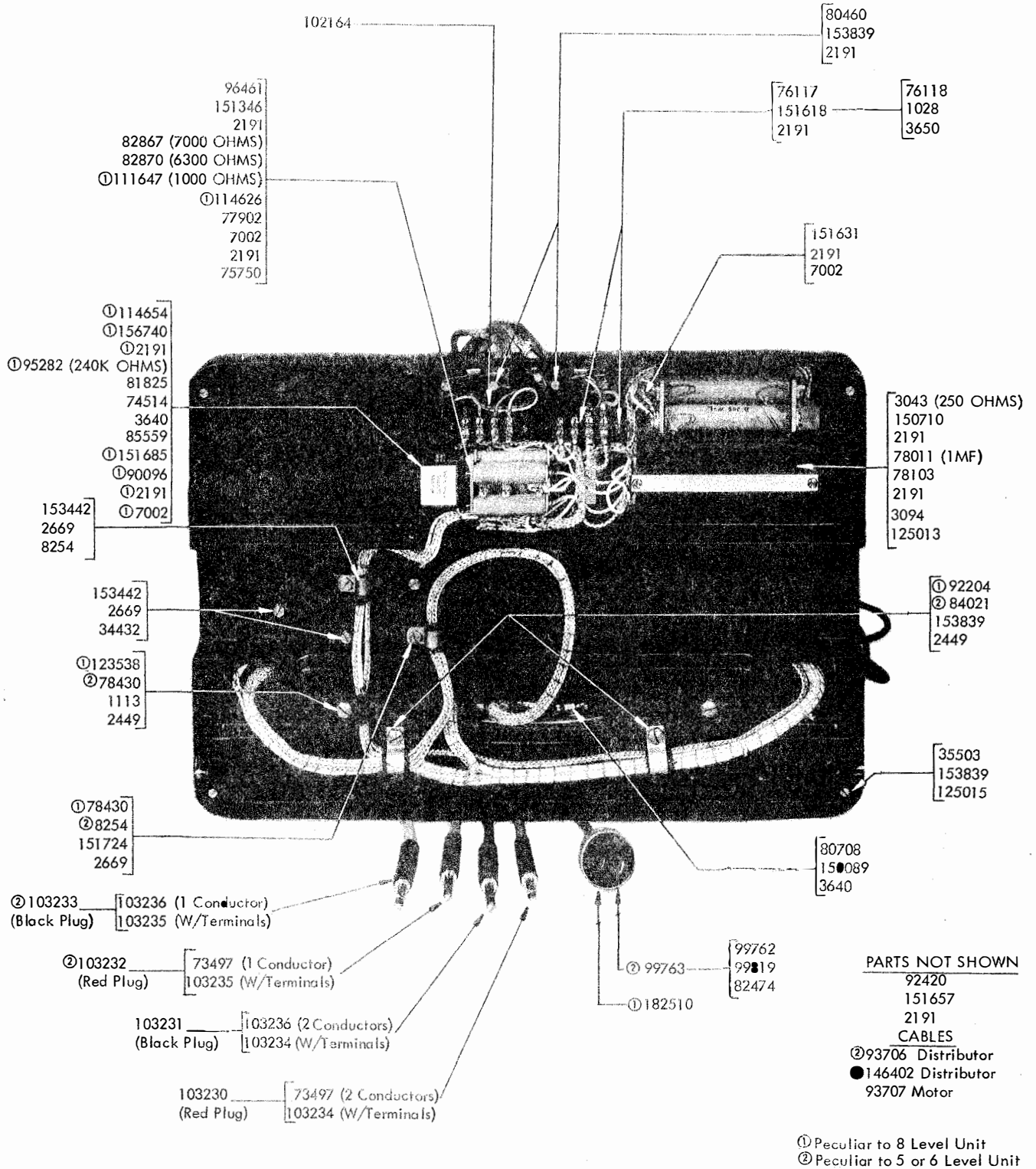


FIGURE 5. BASE WITH ELECTRICAL COMPONENTS (BOTTOM VIEW)

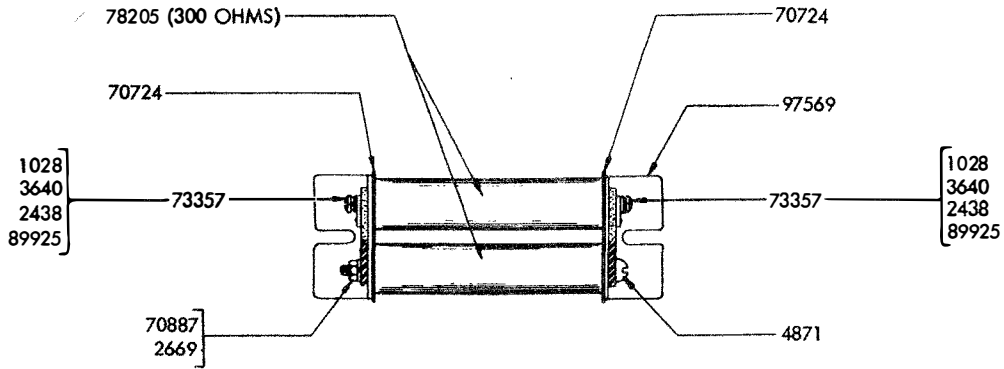


FIGURE 6. 96814 RESISTOR ASSEMBLY 150-300-600 OHMS

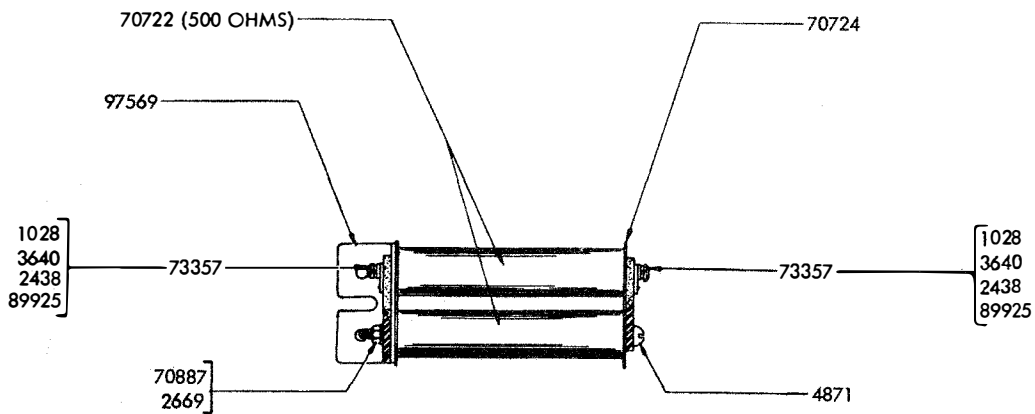


FIGURE 7. 97571 RESISTOR ASSEMBLY 250-500-1000 OHMS

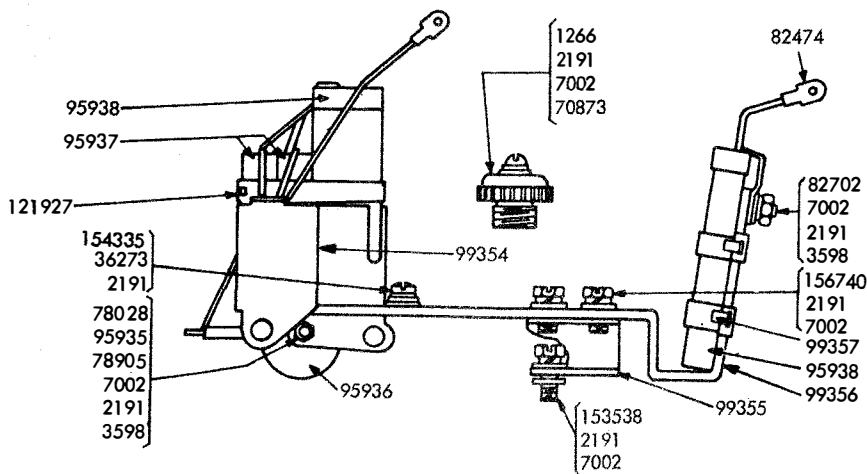
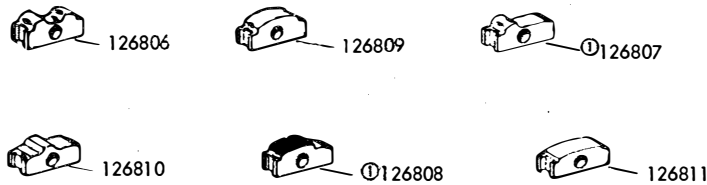
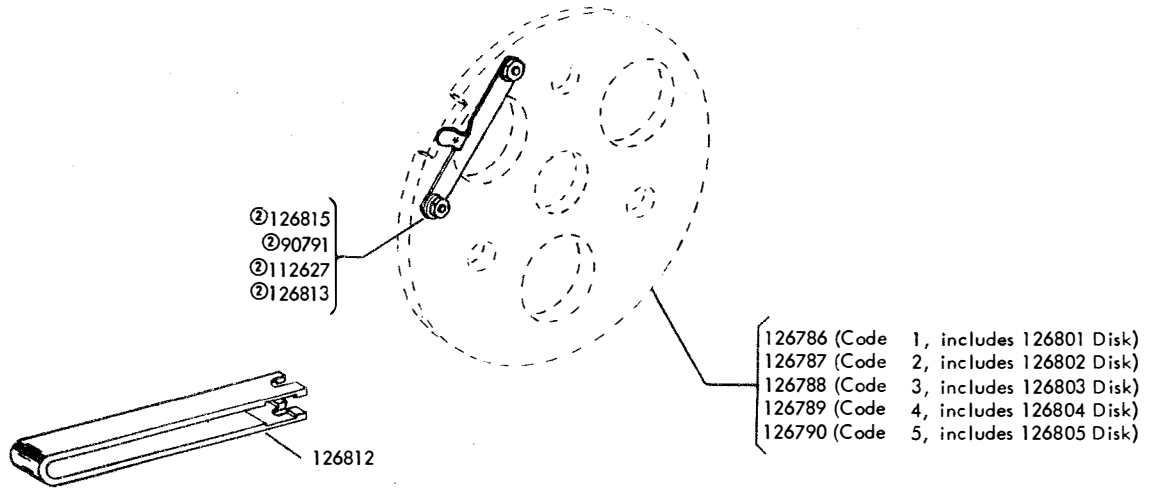


FIGURE 8. 99250 SUPPRESSOR ASSEMBLY



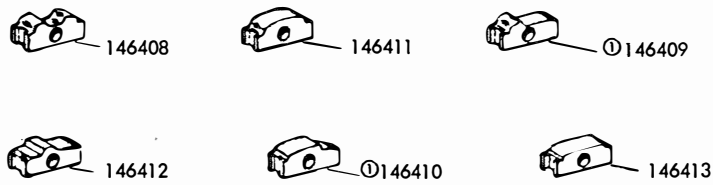
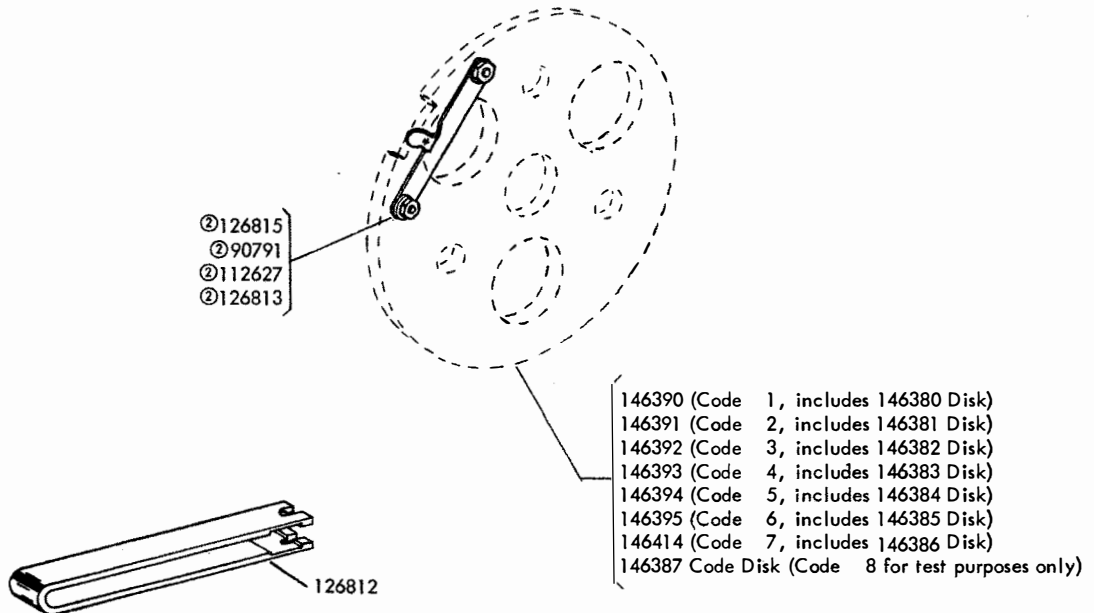
INTERCHANGEABLE SEGMENTS

CODE DISK	#1	#2	#3	#4	#5	#0
NEW STYLE ASSEMBLY NUMBER	126786	126787	126788	126789	126790	87406 (BLANK)
OLD STYLE PART NUMBER	87145 87393 87409 87410 87411 87412 92433 104093 112585	87146 87394 87413 87414 87415 101273 104767 105172 107490	87147 87151 87395 87416 87417 87418 96475 96476 96477	87148 87152 87396 87419 87420 87421 96478 103798 112586	87149 87153 87397 87422 87423 87424 96479 103799 105173	87406
WHEN AN OLD STYLE DISK IS ORDERED BY THE PART NUMBER STAMPED ON THE DISK, A NEW STYLE DISK WITH THE PROPER SEGMENT INSTALLED WILL BE FURNISHED.						

SPECIFICATION 57155

①Reversible in position
 ②To be supplied with the 126786, 126787, 126788, 126789 and 126790 Disk Assemblies

FIGURE 9. 115836 MODIFICATION KIT TO EQUIP 5 LEVEL UNITS WITH INTERCHANGEABLE SEGMENT CODE DISKS



INTERCHANGEABLE SEGMENTS

SPECIFICATION 57155

①Reversible in position
②To be supplied with the 146390, 146391, 146392,
146393, 146394, 146395, 146414 and 146387 Disk Assemblies

FIGURE 10. INTERCHANGEABLE SEGMENT CODE DISKS FOR 8 LEVEL UNIT

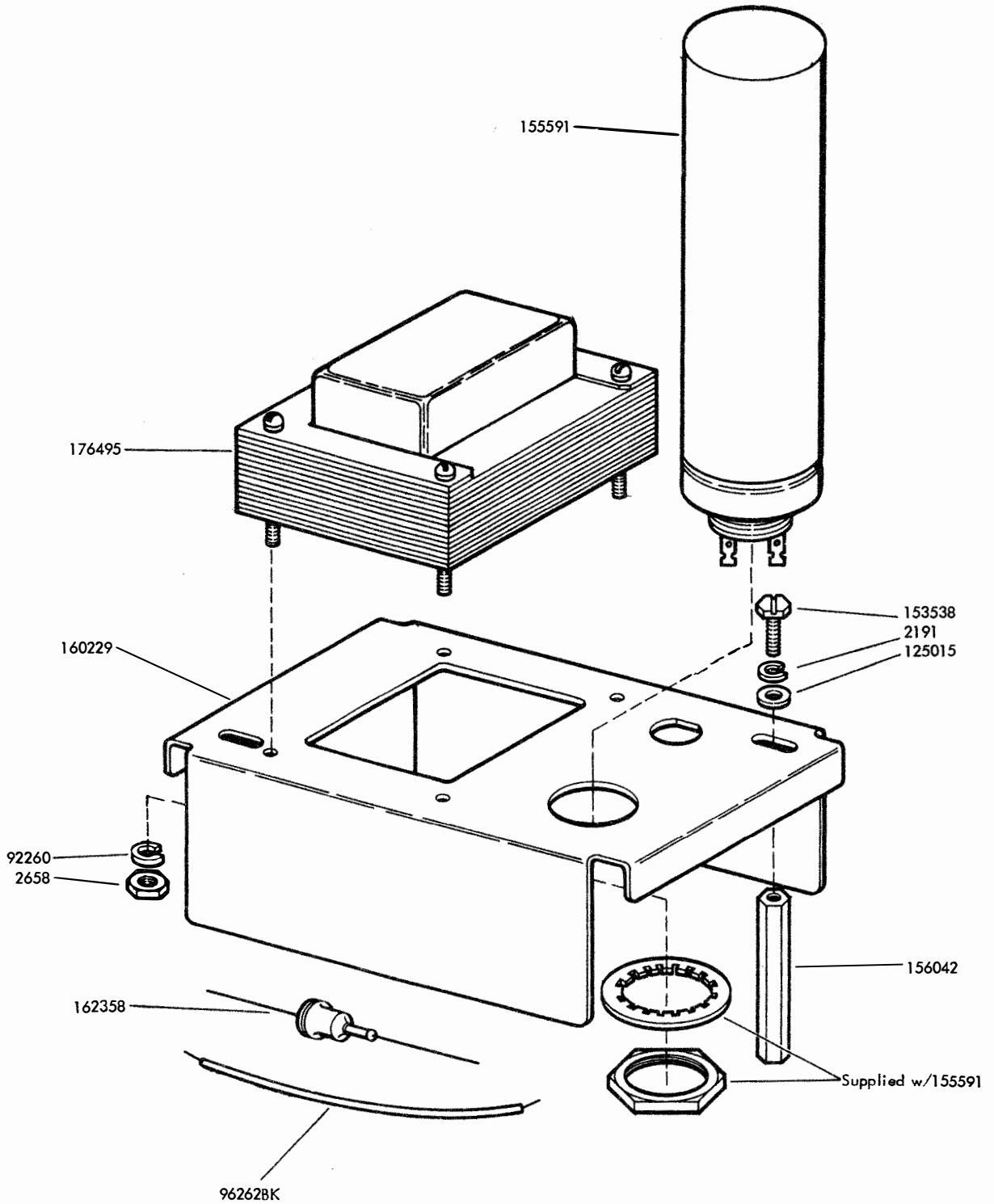
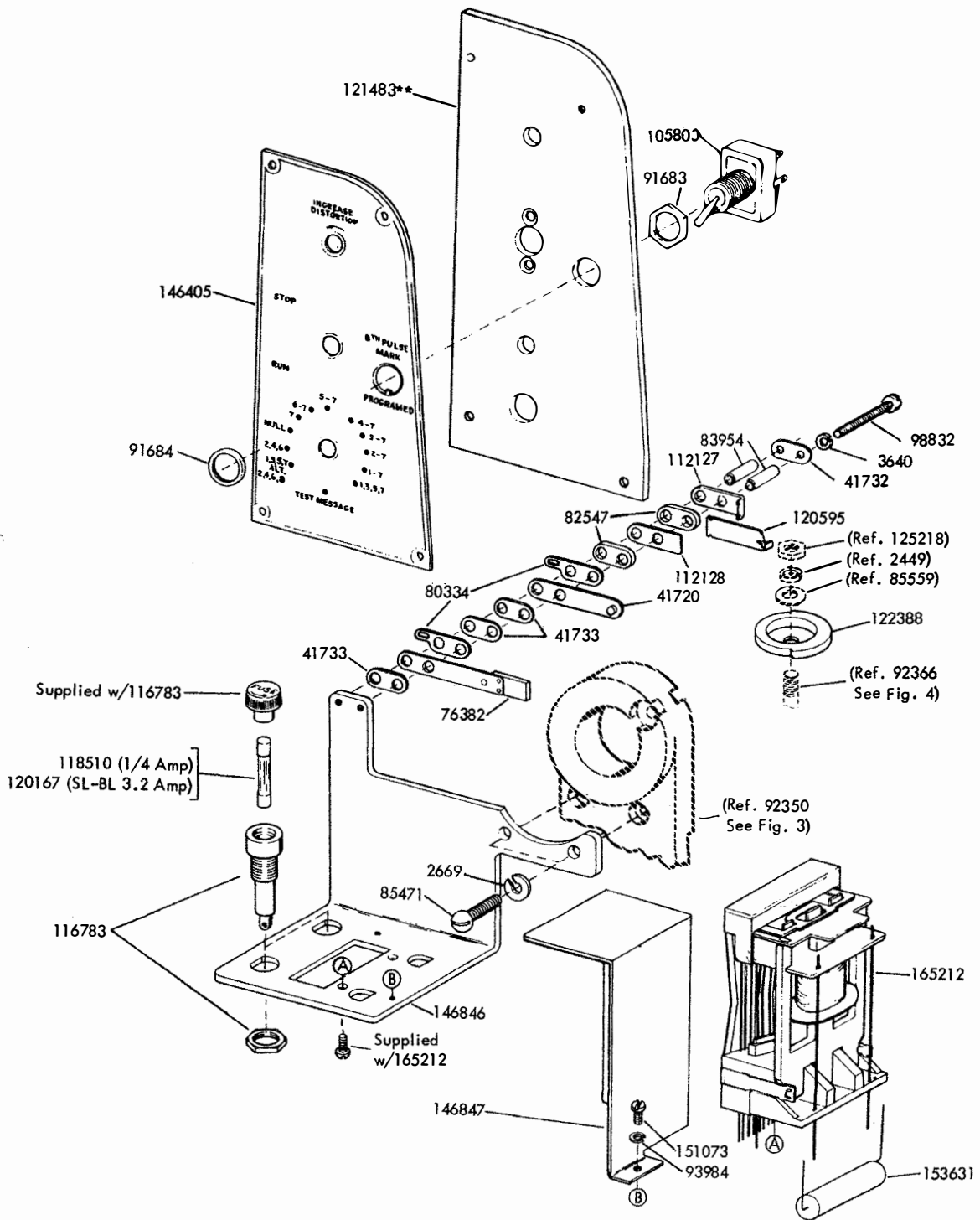
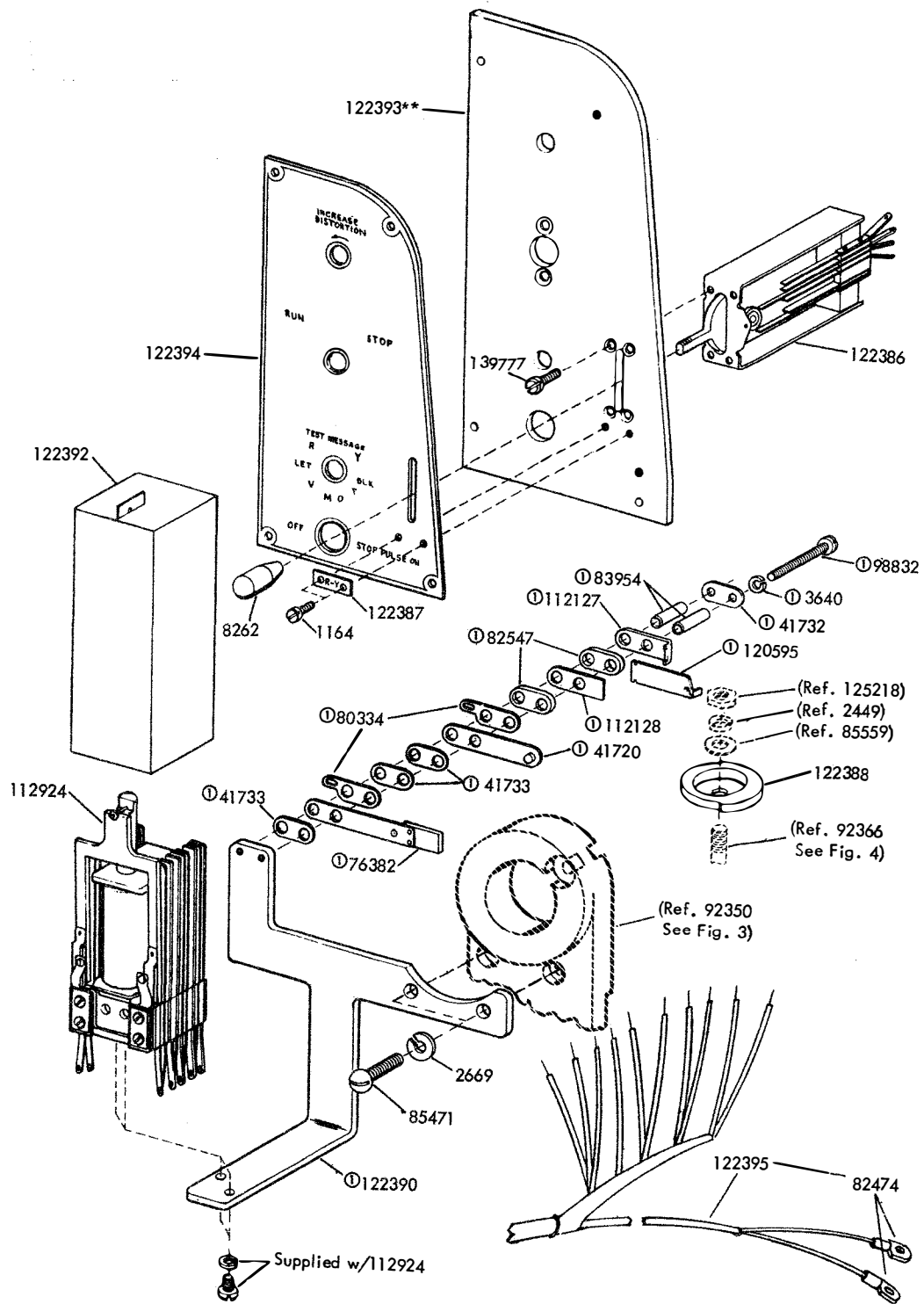


FIGURE 11. 176496 RECTIFIER ASSEMBLY



**Refer to page 1 for finish suffix

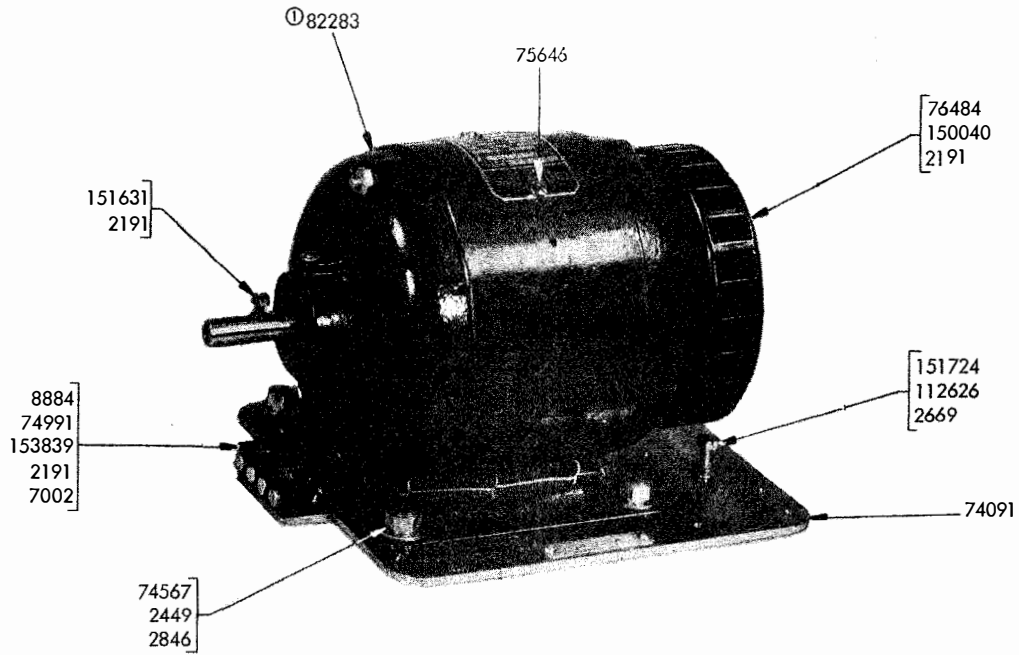
FIGURE 12. ALTERNATE 1, 3, 5, 7, 2, 4, 6, 8 MECHANISM FOR 8 LEVEL UNIT ONLY



SPECIFICATION 5 795

**Refer to page 1 for finish suffix
 ①122389 Contact Assembly

FIGURE 13. 122391** MODIFICATION KIT FOR TRANSMISSION OF ALTERNATE R-Y SIGNALS (5 LEVEL)



① See Bulletin 1147B for Component Parts

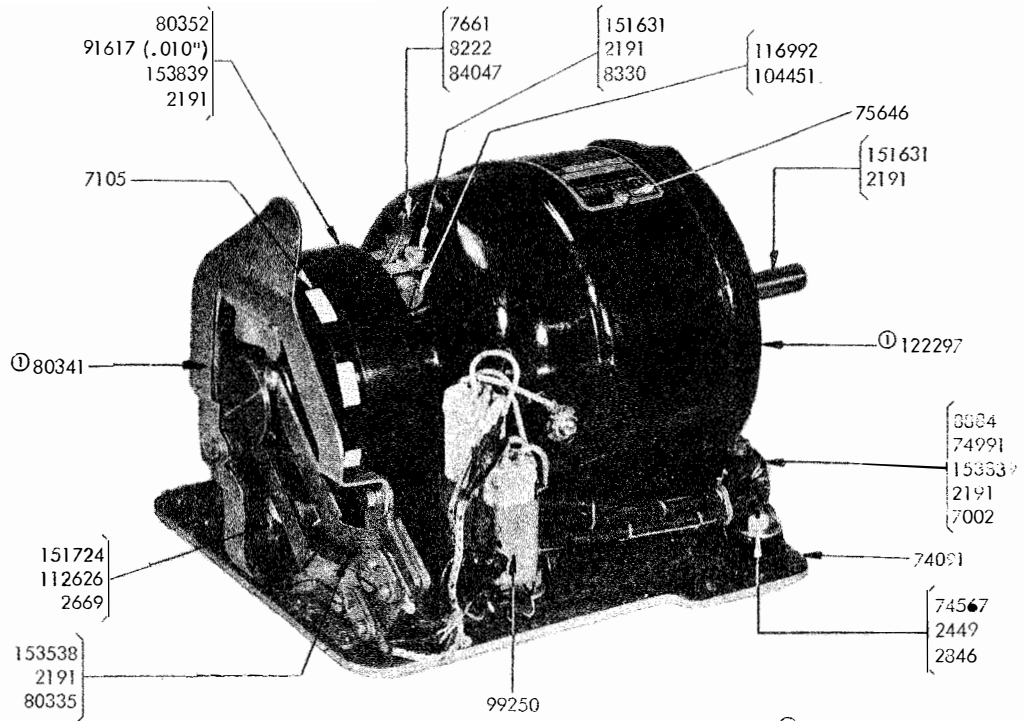
FIGURE 14. SYNCHRONOUS MOTOR UNIT (MU4)



GEAR SETS FOR SYNCHRONOUS MOTORS (ORDERED SEPARATELY)			
SPEED (OPM)	GEAR SET	PINION	GEAR
334.88	107309	107301-8T	107300-43T
367.92	106957	116795-13T	116794-53T
368	96473	102662-9T	102663-44T
390 - 7.00 Unit Code	139269	139271-13T	139270-60T
403.85 - 49.96 Baud	121881	121882-14T	121883-52T
404.08 - 49.99 Baud	114465	114463-11T	114464-49T
420	122226	122105-7T	122106-30T
460	96474	102669-12T	102670-47T
525	122093	122094-14T	122095-48T
600	110897	110889-12T	110890-36T
636 - 7.00 Unit Code	139389	139390-12T	139391-34T
* 428.57 - 50 Baud	143329	143330-10T	143331-42T
* 642.86 - 75 Baud	143332	143333-20T	143334-56T

*For 7.00 Unit Transmission of 5 Level Code

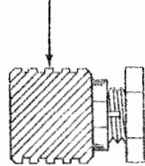
FIGURE 15. GEAR SETS CHART FOR SYNCHRONOUS MOTOR



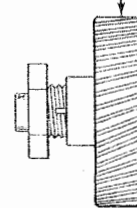
① See Bulletin 1147B for Component Parts Supplied w/105394 Cable (Not Shown)

FIGURE 16. GOVERNED MOTOR UNIT (MU26)

PINION (WITH HUB)



GEAR (WITH HUB)



GEAR SETS FOR SERIES MOTORS (ORDERED SEPARATELY)			
SPEED (OPM)	GEAR SET	PINION	GEAR
368	96572	102667-7T	102668-40T
*404-50 Baud	96572	102667-7T	102668-40T
420	122855	122856-9T	122857-45T
460	96573	102666-7T	102665-32T
525	122852	122853-9T	122854-36T
600	113210	110898-10T	110899-35T

*Use 104984 tuning fork to achieve 2303 rpm on motor

FIGURE 17. GEAR SETS CHART FOR SERIES MOTOR

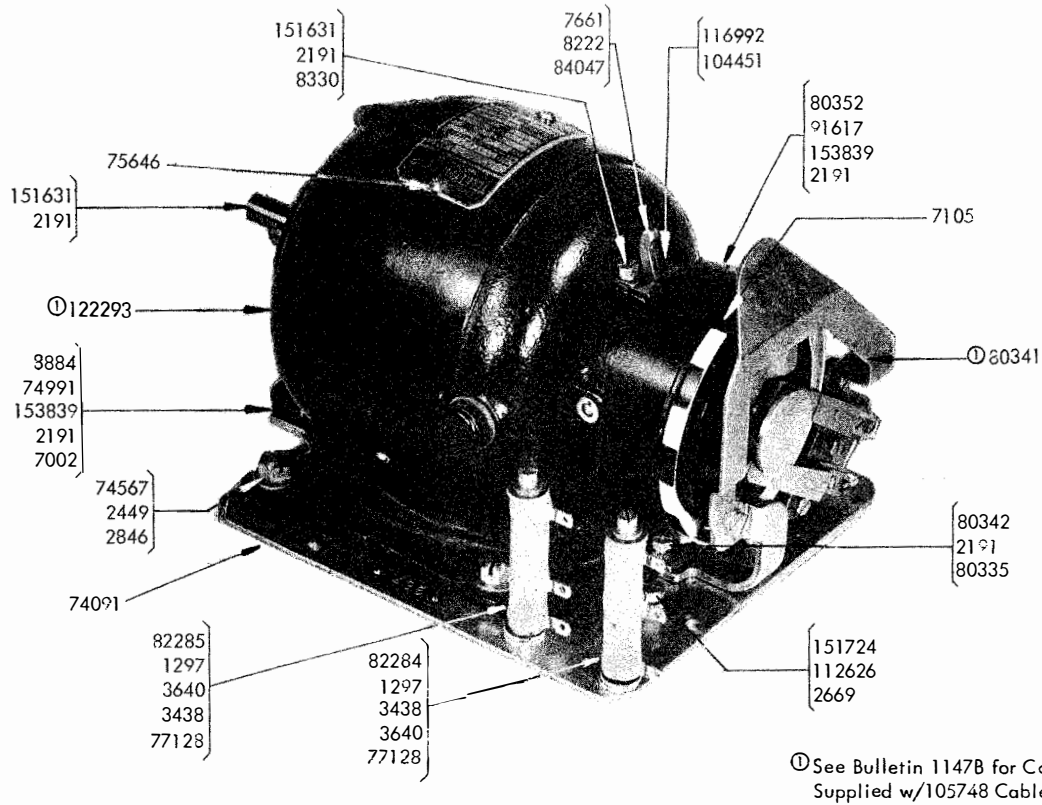


FIGURE 18. GOVERNED MOTOR UNIT (MU29)



GEAR SETS FOR DC MOTORS (ORDERED SEPARATELY)			
SPEED (OPM)	GEAR SET	PINION	GEAR
368	96572	102667-7T	102668-40T
420	122855	122856-9T	122857-45T
460	96573	102666-7T	102665-32T
525	122852	122853-9T	122854-36T
600	113210	110898-10T	110899-35T

FIGURE 19. GEAR SETS CHART FOR DC MOTOR

NUMERICAL INDEX

Part Number	Description and Page Number	Part Number	Description and Page Number	Part Number	Description and Page Number
1012	Screw (6-40 Shoulder) 6	74091	Plate, Motor 14, 15, 16	84021	Clamp, Cable 7
1028	Screw (4-40 x 1/4 Fil) 7, 8	74493	Bushing 5	84047	Plate, Stop 15, 16
1109	Screw (8-32 x 5/16 Fil) 5	74514	Screw (4-40 x 55/64 Fil) 7	84360	Shaft 5
1113	Screw (1/4-20 x 7/8 Hex) 7	74547	Collar 6	84363	Cover, Code Disk Hub 5
1163	Screw (4-40 x 3/16 Fil) 3	74567	Screw (1/4-20 x 33/64 Hex) 14, 15, 16	84368	Arm, Clutch 5, 6
1164	Screw (2-56 x 3/16 Fil) 13	74717	Screw (4-40 x 23/32 Fil) 5	84369	Sleeve, Friction 5
1166	Screw (4-36 x 1/4 Flat) 3	74722	Washer, Flat 4	84373	Bushing, Bearing 5
1214	Screw (10-32 Set) 6	74805	Screw (10-32 x 3/4 Hex) 4, 5	84379	Hub, Code Disk 5
1223	Screw (10-32 x 1/2 Fil) 5	74953	Screw (4-40 x 13/16 Fil) 6	84384	Spacer 5
1224	Screw, Adjusting (6-40) 6	74991	Insulator (.016" Thk) 14, 15, 16	84385	Stud, Code Disk 5
1256	Screw, Set (6-40) 6	75646	Screw (#0 x 3/16 Drive) 3, 14, 15, 16	84814	Screw (6-40 Shoulder) 5
1266	Screw (6-32 x 7/16 Rd) 8	75750	Washer, Insulating 7	84892	Stiffener 5
1297	Screw (6-40 x 2-7/16 Fil) 16	76084	Washer, Felt 5	85471	Screw (10-32 x 1 Hex) 12, 13
2034	Washer, Flat 4	76085	Washer, Friction 5	85559	Washer, Flat 4, 5, 7, 12, 13
2191	Washer, Lock 3 to 8, 11, 14, 15, 16	76086	Washer, Spring 5	85935	Post, Spring 5
2422	Washer, Lock 5	76087	Nut (9/16-32 Friction) 5	86746	Screw (6-40 Shoulder) 5
2438	Washer, Flat 8	76117	Block, Terminal 7	87145	Disk, #1 Code 9
2449	Washer, Lock 5, 7, 12 to 16	76118	Block, Terminal 7	87146	Disk, #2 Code 9
2658	Nut (6-32 Hex) 11	76323	Bushing 4	87147	Disk, #3 Code 9
2669	Washer, Lock 4 to 8, 12 to 16	76377	Bushing 4	87148	Disk, #4 Code 9
2846	Washer, Flat 14, 15, 16	76382	Spring, Contact 12, 13	87149	Disk, #5 Code 9
3043	Resistor (250 Ohm) 7	76484	Fan 14	87151	Disk, #3 Code 9
3094	Insulator 7	77038	Spring, Contact 5	87152	Disk, #4 Code 9
3145	Plate, Stop 6	77054	Stud 6	87153	Disk, #5 Code 9
3153	Post, Spring 6	77063	Stud (4-40) 4	87393	Disk, 1T Code 9
3339	Nut (9/16-32 Hex) 5	77128	Washer, Insulating 16	87394	Disk, 2T Code 9
3438	Washer, Flat 5, 16	77902	Screw (6-40 x 2-3/8 Rd) 7	87395	Disk, 3T Code 9
3598	Nut (6-40 Hex) 3, 5, 7, 8	78011	Capacitor (1 mfd) 7	87396	Disk, 4T Code 9
3599	Nut (4-40 Hex) 3, 4	78028	Screw (6-40 x 5/16 Hex) 4, 8	87397	Disk, 5T Code 9
3618	Insulator (.062" Thk) 5	78103	Screw (6-40 x 1-3/16 Hex) 7	87406	Disk, Code 9
3640	Washer, Lock 3 to 8, 12, 13, 16	78205	Resistor (300 Ohm) 8	87409	Disk, Code 9
3647	Insulator (.094" Thk) 5	78430	Clamp, Cable 7	87410	Disk, Code 9
3650	Washer, Flat 7	78469	Foot, Rubber 3	87411	Disk, Code 9
3870	Spring 5	78905	Washer, Insulating 8	87412	Disk, Code 9
4871	Bolt (10-24 x 4 Rd) 8	79509	Spring, Contact 5	87413	Disk, Code 9
5702	Key 3	79513	Plate, Contact Top 5	87414	Disk, Code 9
6807	Screw (6-40 Set) 6	79516	Shield, Contact Spring 5	87415	Disk, Code 9
7002	Washer, Flat 4 to 8, 14, 15, 16	79517	Stiffener 5	87416	Disk, Code 9
7048	Screw (10-32 Shoulder) 6	79519	Bushing, Insulating 5	87417	Disk, Code 9
7105	Target (10 Spot) 15, 16	79523	Screw (2-56 x 25/32 Fil) 5	87418	Disk, Code 9
7415	Nut (1/2-32 Hex) 4, 5	80294	Post, Spring 5	87419	Disk, Code 9
7661	Lever 15, 16	80334	Terminal, Contact 12, 13	87420	Disk, Code 9
8222	Strip 15, 16	80335	Plate 15, 16	87421	Disk, Code 9
8254	Clamp, Cable 7	80341	Bracket Assembly 15, 16	87422	Disk, Code 9
8262	Knob 3, 13	80342	Screw (6-40 x 23/64 Hex) 16	87423	Disk, Code 9
8330	Washer, Flat 6, 15, 16	80352	Governor Assembly 15, 16	87424	Disk, Code 9
8884	Block, Terminal 14, 15, 16	80460	Clamp, Cable 7	89925	Terminal 8
34432	Washer, Flat 7	80508	Screw (4-40 x 25/32 Fil) 6	90096	Washer, Insulating 7
35503	Foot, Rubber 7	80706	Screw (6-40 Set) 6	90122	Bearing, Ball 5
36273	Washer, Flat 8	80708	Clamp, Cable 7	90791	Washer, Lock 9, 10
41720	Spring, Contact 12, 13	81560	Post, Spring 6	91617	Shim (.010" Thk) 15, 16
41732	Plate, Clamp 5, 12, 13	81724	Spring, Contact 5	91683	Nut (15/32-32 Hex) 3, 12
41733	Insulator (.062" Thk) 5, 12, 13	81726	Terminal 5	91684	Nut (15/32-32 Ring) 12
43816	Stud (2-56) 4	81825	Capacitor (.01 mfd) 7	92204	Clamp, Cable 7
70314	Washer, Flat 5	82283	Motor, Synchronous (110 V AC) 14	92260	Washer, Lock 11
70497	Nut (5/16-32 Hex) 5	82284	Resistor (70 Ohm) 16	92350	Bearing, Rear 5, 12, 13
70722	Resistor (500 Ohm) 8	82285	Resistor (300 Ohm) 16	92351	Bracket, Bearing 5
70724	Insulator (.015" Thk) 8	82444	Bushing, Insulating 5	92354	Disk Assembly, Inner Segment 4
70873	Cap, Contact Brush 8	82474	Terminal 7, 8, 13	92356	Disk Assembly, Outer Segment 4
70887	Nut (10-24 Hex) 8	82547	Insulator (.094" Thk) 5, 12, 13	92364	Segment, Retaining 4
71156	Shim (.010" Thk) 5	82702	Screw (6-40 x 9/32 Flat) 5, 8	92365	Plate, Retaining 4
72565	Washer, Lock 4, 5	82867	Resistor (7000 Ohm) 7	92366	Shaft, Intermediate 6, 12, 13
73180	Switch, Toggle (SP-ST) 3	82870	Resistor (6300 Ohm) 7	92368	Gear (60T) 5
73357	Terminal Assembly 8	83408	Screw (4-40 x 3/16 Rd) 3	92369	Bail, Contact 6
73497	Plug, Red Shell 7	83954	Bushing, Insulating 12, 13	92370	Lever, Contact 5
74014	Screw (10-32 x 3/4 Hex) 6			92371	Cylinder, Code 6
				92372	Bracket 6

NUMERICAL INDEX (Continued)

Part Number	Description and Page Number	Part Number	Description and Page Number	Part Number	Description and Page Number
92373	Shaft, Contact Bail 6	96476	Disk, #3 Code 9	112128	Retainer 12, 13
92374	Shaft 6	96477	Disk, #3 Code 9	112585	Disk, #1 Code 9
92375	Segment, Gear 6	96478	Disk, #4 Code 9	112586	Disk, #4 Code 9
92376	Spacer (.221" Thk) 5	96479	Disk, #5 Code 9	112626	Nut (10-32 Hex) 6, 14, 15, 16
92377	Bearing, Code Disk 6	96572	Gear Set 2, 15, 16	112627	Nut (2-56 Hex) 6, 9, 10
92378	Holder, Oil Wick 6	96573	Gear Set 2, 15, 16	112633	Spring w/Wick 6
92379	Wick, Oil 6	96774	Plate 3	112924	Relay 13
92380	Pinion w/Shaft (12T) 6	96814	Resistor Assembly (150-300-600 Ohm) 1, 8	113210	Gear Set 15, 16
92382	Screw (1/4-32 Shoulder) 6	97569	Bracket 8	114463	Pinion (11T) 14
92383	Gear (48T) 6	97571	Resistor Assembly (250-500-1000 Ohm) 1, 8	114464	Gear (49T) 14
92387	Insulator (.0312" Thk) 4	98832	Screw (4-40 x 11/16 Fil) 12, 13	114465	Gear Set 14
92390	Terminal 4	99250	Filter Assembly 1, 8, 15	114478	Nut (15/32-32 Hex) 3
92391	Plate, Clamp 4	99354	Container 8	114626	Screw (6-40 x 2-1/16 Fil) 7
92392	Arm, Brush 4	99355	Bracket 8	114654	Strip, Terminal 7
92393	Clamp, Brush Arm 4	99356	Bracket 8	115836	Modification Kit 1, 9
92395	Clamp, Lamp 4	99357	Clip 8	116783	Holder, Fuse 12
92396	Arm, Lamp Indicator 4	99762	Connector, Plug (2 Pt) 7	116794	Gear (53T) 14
92397	Scale, Signal Measuring 3	99763	Cord Assembly 7	116795	Pinion (13T) 14
92398	Gear (40T) 5	99819	Cord 7	116992	Screw (1/4-32 Pilot) 15, 16
92399	Plate, Panel 3	101273	Disk 9	118510	Fuse (1/4 Amp) 12
92400	Plate, Panel 3	101489	Spring, Torsion 3	120167	Fuse (3.2 Amp SL-BL) 12
92402	Hub 4	101490	Stud, Brake Lever 3	120595	Follower, Cam 12, 13
92406	Shaft w/Gear 5	101491	Lever, Brake 3	121480**	Cover, Scale 4
92407	Block, Terminal 6	102164	Plate, Name 7	121481**	Base 3
92408	Block, Terminal 6	102662	Pinion (9T) 14	121482**	Panel, Left 3
92410	Knob w/Screw 3	102663	Gear (44T) 14	121483**	Panel, Right 3, 12
92413	Knob w/Screw 3	102665	Gear (32T) 15, 16	121484	Ring, Scale Mounting 3
92415	Spring, Friction 4	102666	Pinion (7T) 15, 16	121485**	Cover 3
92416	Shaft 5	102667	Pinion (7T) 15, 16	121626	Lever, Contact 5
92417	Bearing 5	102668	Gear (40T) 15, 16	121881	Gear Set 14
92419	Plate, Stop 6	102669	Pinion (12T) 14	121882	Pinion (14T) 14
92420	Plate, Base 7	102670	Gear (47T) 14	121883	Gear (52T) 14
92421	Cam, Contact 5	103178	Lever Assembly, Brake 3	121927	Clip 8
92422	Bracket, Contact 5	103230	Cord 7	122093	Gear Set 14
92423	Latch, Contact 5	103231	Cord Assembly 7	122094	Pinion (14T) 14
92425	Lever 5	103232	Cord 7	122095	Gear (48T) 14
92427	Spring, Contact 5	103233	Cord 7	122105	Pinion (7T) 14
92433	Disk, Code 9	103234	Cord 7	122106	Gear (30T) 14
92437	Lamp, Neon 4	103235	Cord 7	122293	Motor, Shunt (110 V DC) 16
92813	Insulator w/Terminals 4	103236	Plug, Black 7	122297	Motor, AC Series (95-130 V) 15
93075	Nut (15/32-32 Shoulder Ring) 3	103798	Disk, #4 Code 9	122226	Gear Set 14
93117	Washer, Lock 6	103799	Disk, #5 Code 9	122386	Switch, Lever 13
93136	Switch (DP-DT) Toggle 3	104093	Disk, #1 Code 9	122387	Plate, Identification 13
93667	Spring, Contact 5	104451	Washer, Lock 15, 16	122388	Cam, Timing 12, 13
93706	Cable 7	104767	Disk, #2 Code 9	122389	Contact Assembly, CamPulsing 13
93707	Cable w/Terminals 7	104984	Fork, Tuning (96.19 VPS) 15	122390	Bracket 13
93984	Washer, Lock 12	105172	Disk, #2 Code 9	122391**	Modification Kit 1, 13
95136	Disk Assembly, Outer Segment 4	105173	Disk, #5 Code 9	122392	Cover, Relay 13
95140	Ring, Scale Mounting 3	105394	Cable 15	122393**	Panel, Right 13
95141	Scale, Signal Measuring 3	105748	Cable 16	122394	Plate, Identification 13
95143	Disk Assembly, Inner Segment 4	105803	Switch, Toggle (DP-ST) 12	122395	Cable w/Terminals 13
95282	Resistor (240,000 Ohm) 3, 7	106957	Gear Set 14	122852	Gear Set 15, 16
95935	Bushing, Insulating 8	107300	Gear (43T) 14	122853	Pinion (9T) 15, 16
95936	Coil, R.F. Choke 8	107301	Pinion (8T) 14	122854	Gear (36T) 15, 16
95937	Capacitor (.01 mfd) 8	107309	Gear Set 14	122855	Gear Set 15, 16
95938	Capacitor (.1 mfd) 8	107490	Disk, #2 Code 9	122856	Pinion (9T) 15, 16
96262BK	Jumper (4" Black) 11	110435	Nut (4-40 Hex) 3	122857	Gear (45T) 15, 16
96459	Cylinder, Code 6	110889	Pinion (12T) 14	123538	Clamp, Cable 7
96460	Plate 3	110890	Gear (36T) 14	125011	Washer, Flat 3
96461	Bracket 7	110897	Gear Set 2, 14	125013	Strap 7
96462	Insulator 3	110898	Pinion (10T) 15, 16	125015	Washer, Flat 7, 11
96463	Pulley, Braking 6	110899	Gear (35T) 15, 16	125218	Nut (1/4-32 Hex) 5, 12, 13
96464	Wedge, Braking 6	111605	Screw (8-32 Set) 3	125240	Spring 6
96465	Post 6	111647	Resistor (1000 Ohm) 7	125245	Spring, Compression 6
96473	Gear Set 2, 14	112127	Hinge 12, 13	125269	Pin, Dowel 3
96474	Gear Set 2, 14			125643	Spacer 4
96475	Disk, #3 Code 9				

**Refer to page 1 for finish suffix

NUMERICAL INDEX (Continued)

Part Number	Description and Page Number	Part Number	Description and Page Number	Part Number	Description and Page Number
125903	Brush 4	146372	Cylinder, Code 6	146849	Shaft 6
125935	Spring, Flat 6	146373	Insulator 5	150040	Screw (6-40 x 5/8 Fil) 5, 14
126786	Disk Assembly, #1 Code 9	146374	Disk Assembly, Inner Segment 4	150089	Screw (4-40 x 1/2 Fil) 4, 7
126787	Disk Assembly, #2 Code 9	146377	Disk Assembly, Outer Segment 4	150710	Screw (6-40 x 1-1/4 Fil) 7
126788	Disk Assembly, #3 Code 9	146380	Disk, Code 10	151073	Screw (4-40 x 5/32 Fil) 12
126789	Disk Assembly, #4 Code 9	146381	Disk, Code 10	151233	Spacer (.065" Thk) 6
126790	Disk Assembly, #5 Code 9	146382	Disk, Code 10	151346	Screw (6-40 x 3/8 Fil) 3 to 7
126801	Disk, #1 Code 9	146383	Disk, Code 10	151618	Screw (6-40 x 7/16 Fil) 7
126802	Disk, #2 Code 9	146384	Disk, Code 10	151629	Nut (6-40 Lug) 6
126803	Disk, #3 Code 9	146385	Disk, Code 10	151631	Screw (6-40 x 5/16 Hex) 7, 14, 15, 16
126804	Disk, #4 Code 9	146386	Disk, Code 10	151657	Screw (6-40 x 1/4 Fil) 3 to 7
126805	Disk, #5 Code 9	146387	Disk, Code 10	151659	Screw (6-40 x 1/2 Fil) 6
126806	Segment, Code Disk 9	146388	Scale, Signal Mounting 3	151660	Screw (6-40 x 7/8 Fil) 4
126807	Segment, Code Disk 9	146390	Disk Assembly, Code 10	151685	Screw (4-40 x 5/16 Fil) 7
126808	Segment, Code Disk 9	146391	Disk Assembly, Code 10	151686	Screw (4-40 x 3/8 Fil) 4
126809	Segment, Code Disk 9	146392	Disk Assembly, Code 10	151693	Screw (6-40 x 9/16 Fil) 4
126810	Segment, Code Disk 9	146393	Disk Assembly, Code 10	151721	Screw (6-40 x 3/4 Hex) 6
126811	Segment, Code Disk 9	146394	Disk Assembly, Code 10	151724	Screw (10-32 x 5/8 Hex) 5, 6, 7, 14, 15, 16
126812	Tool, Extracting 9, 10	146395	Disk Assembly, Code 10	153102	Screw, Set (8-32) 3
126813	Spring, Flat 9, 10	146396	Hub, Code Disk 5	153442	Screw (10-32 x 1/2 Hex) 7
126815	Screw (2-56 x 15/64 Hex) 9, 10	146398	Spacer (.170" Thk) 5	153538	Screw (6-40 x 7/16 Hex) 8, 11, 15
130843	Washer, Felt 6	146399	Stud, Code Disk 5	153631	Network, Spark Suppression 12
139269	Gear Set 14	146400	Spacer (.171" Thk) 5	153839	Screw (6-40 x 5/8 Hex) 7, 14 to 16
139270	Gear (60T) 14	146401	Spacer (.130" Thk) 5	154335	Screw (6-40 x 9/32 Fil) 8
139271	Pinion (13T) 14	146402	Cable w/Terminals 7	155591	Capacitor (220 mfd) 11
139274	Scale, Signal Measuring 3	146403	Shaft, Code Disk 5	156042	Post, Spacing 11
139389	Gear Set 14	146404	Bracket 6	156740	Screw (6-40 x 7/32 Hex) 5, 7, 8
139390	Pinion (12T) 14	146405	Plate, Panel 3, 12	158163	Switch, Sensitive 6
139391	Gear (34T) 14	146406	Spring 5	160229	Plate, Mounting 11
139777	Screw (3-56 x 1/4 Flat) 13	146408	Segment, Code Disk 10	160860	Screw (2-56 x 7/8 Fil) 6
142379	Pin, Roll 5	146409	Segment, Code Disk 10	161220	Disk, Dial Face 3
143329	Gear Set 14	146410	Segment, Code Disk 10	162358	Diode 11
143330	Pinion (10T) 14	146411	Segment, Code Disk 10	165212	Relay (630 Ohm) 12
143331	Gear (42T) 14	146412	Segment, Code Disk 10	176495	Transformer, Power 11
143332	Gear Set 14	146413	Segment, Code Disk 10	176496	Rectifier Assembly 1, 11
143333	Pinion (20T) 14	146414	Disk Assembly, Code 10	182510	Cable 7
143334	Gear (56T) 14	146846	Bracket, Relay Mounting 12		
146371	Bail, Contact 6	146847	Cover 12		
		146848	Cam 6		

