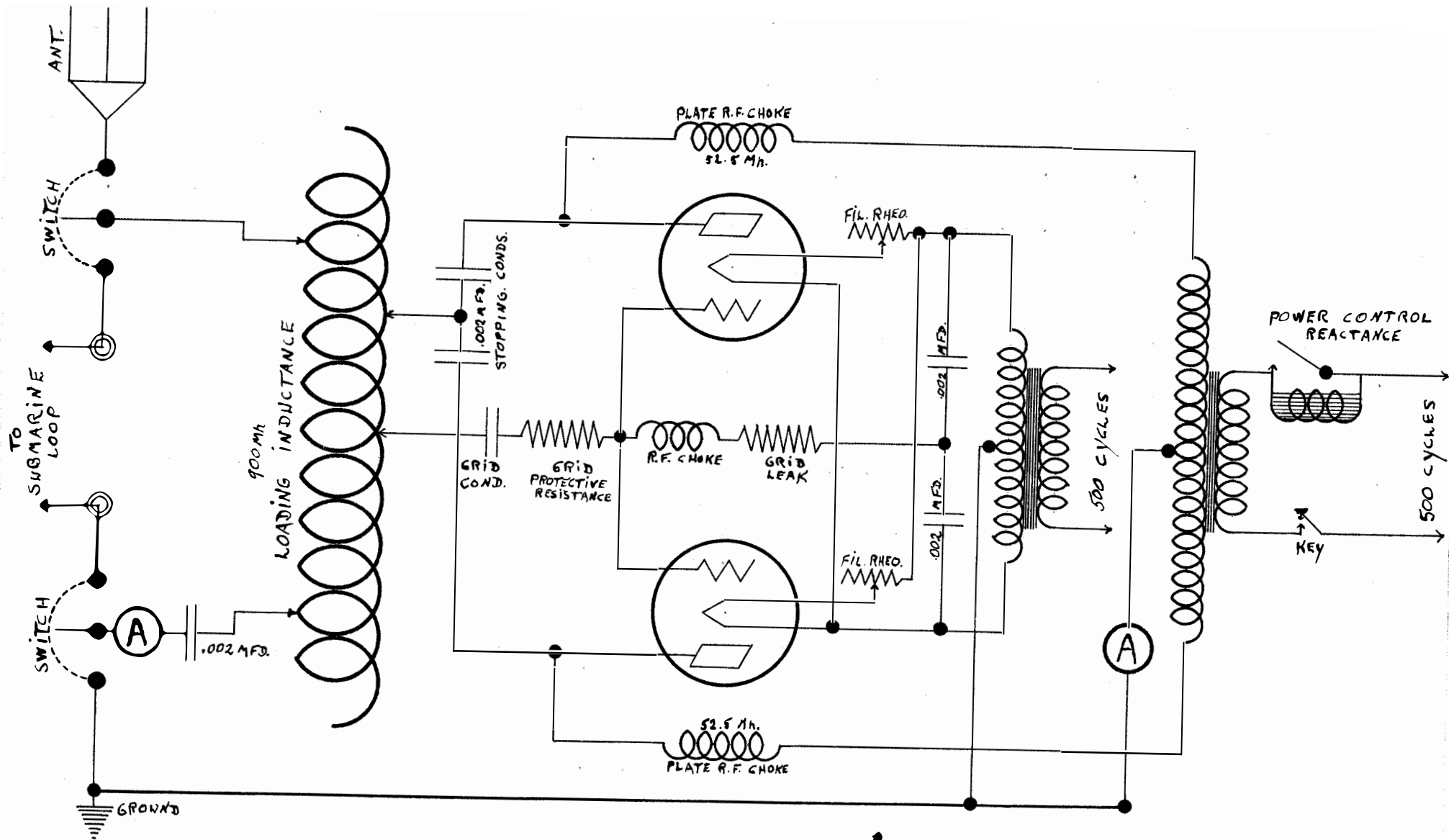
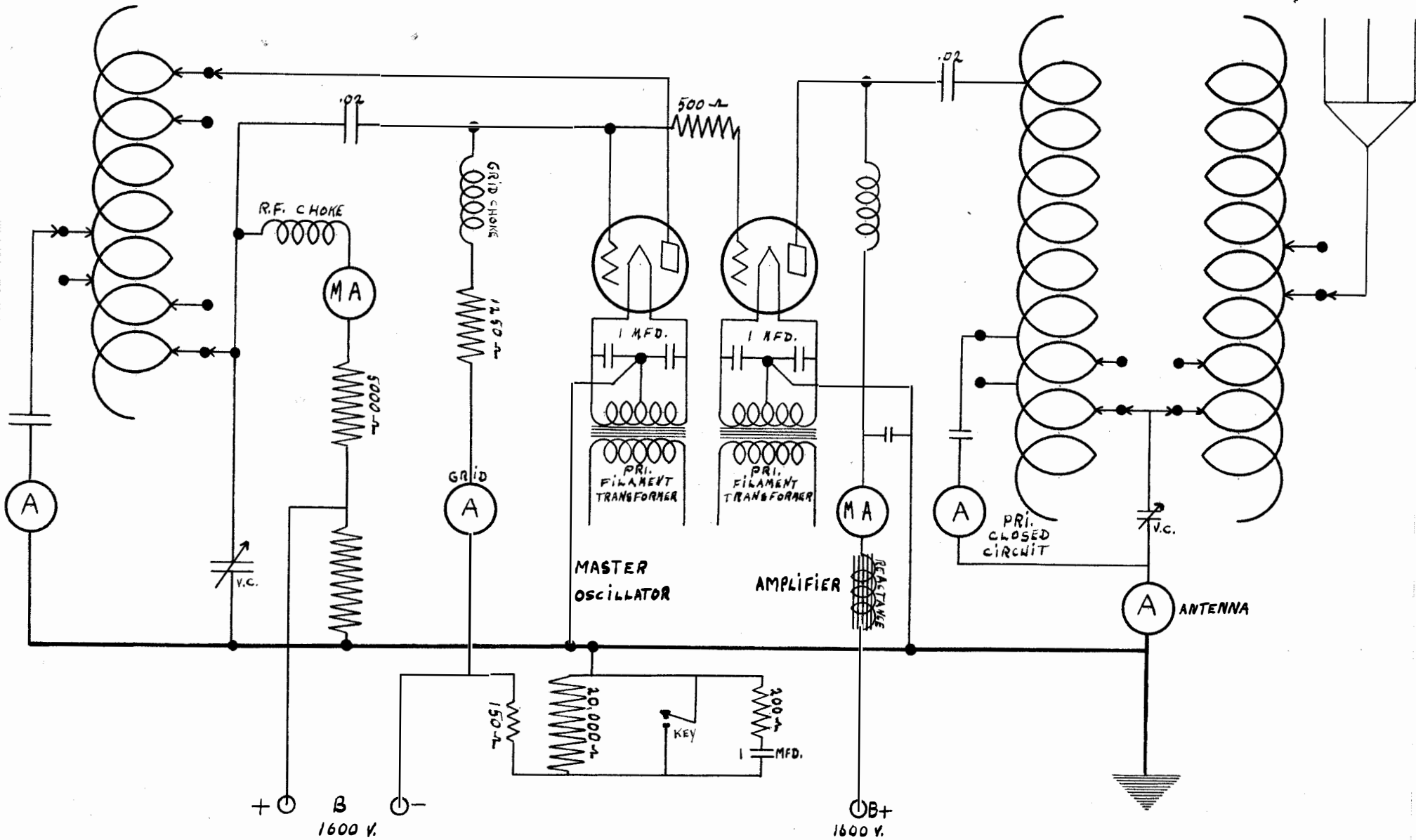


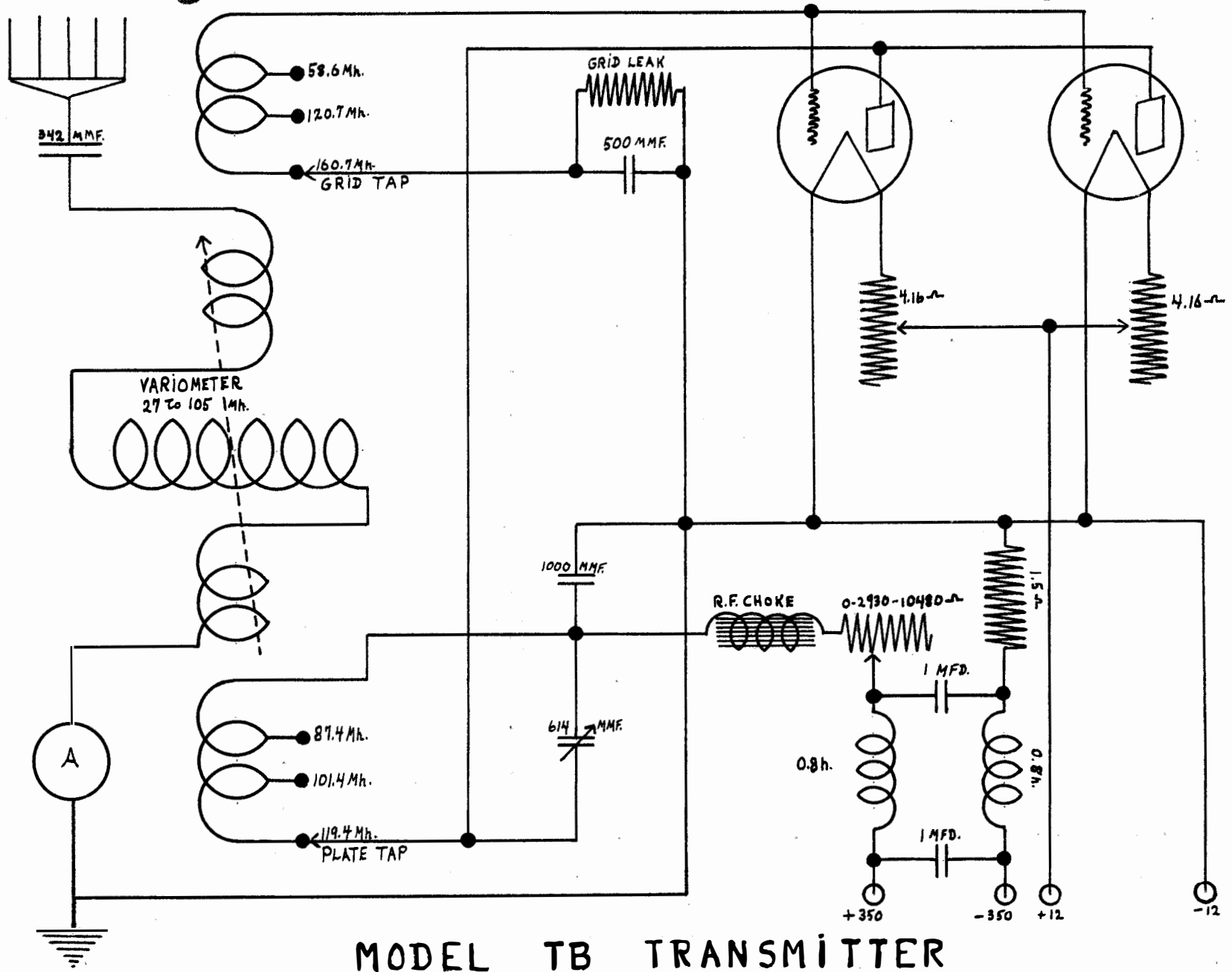
MODEL TO TRANSMITTER
 SCHEMATIC DIAGRAM



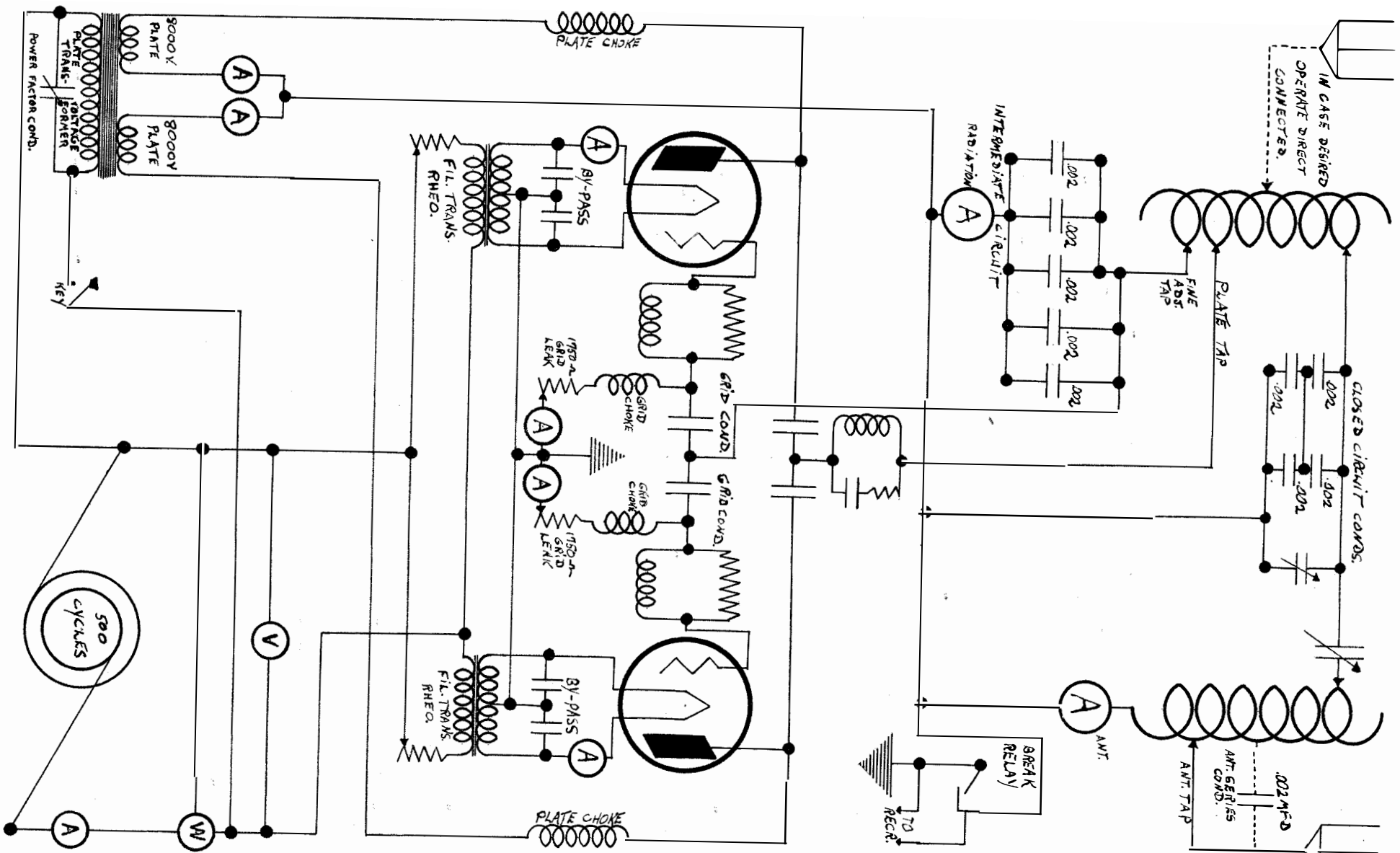
MODEL "TM" TRANSMITTER



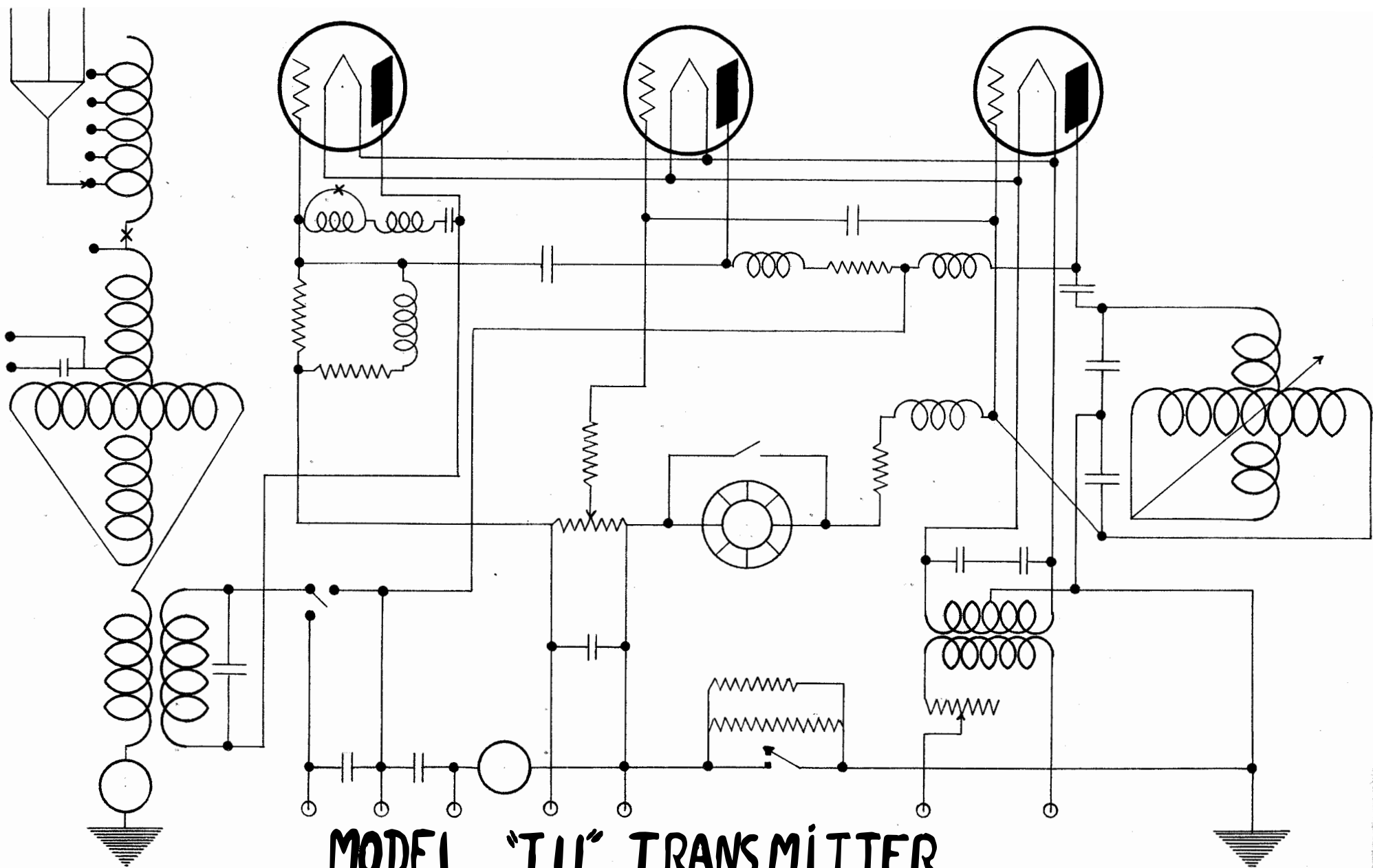
MODEL TP TRANSMITTER
SCHEMATIC DIAGRAM



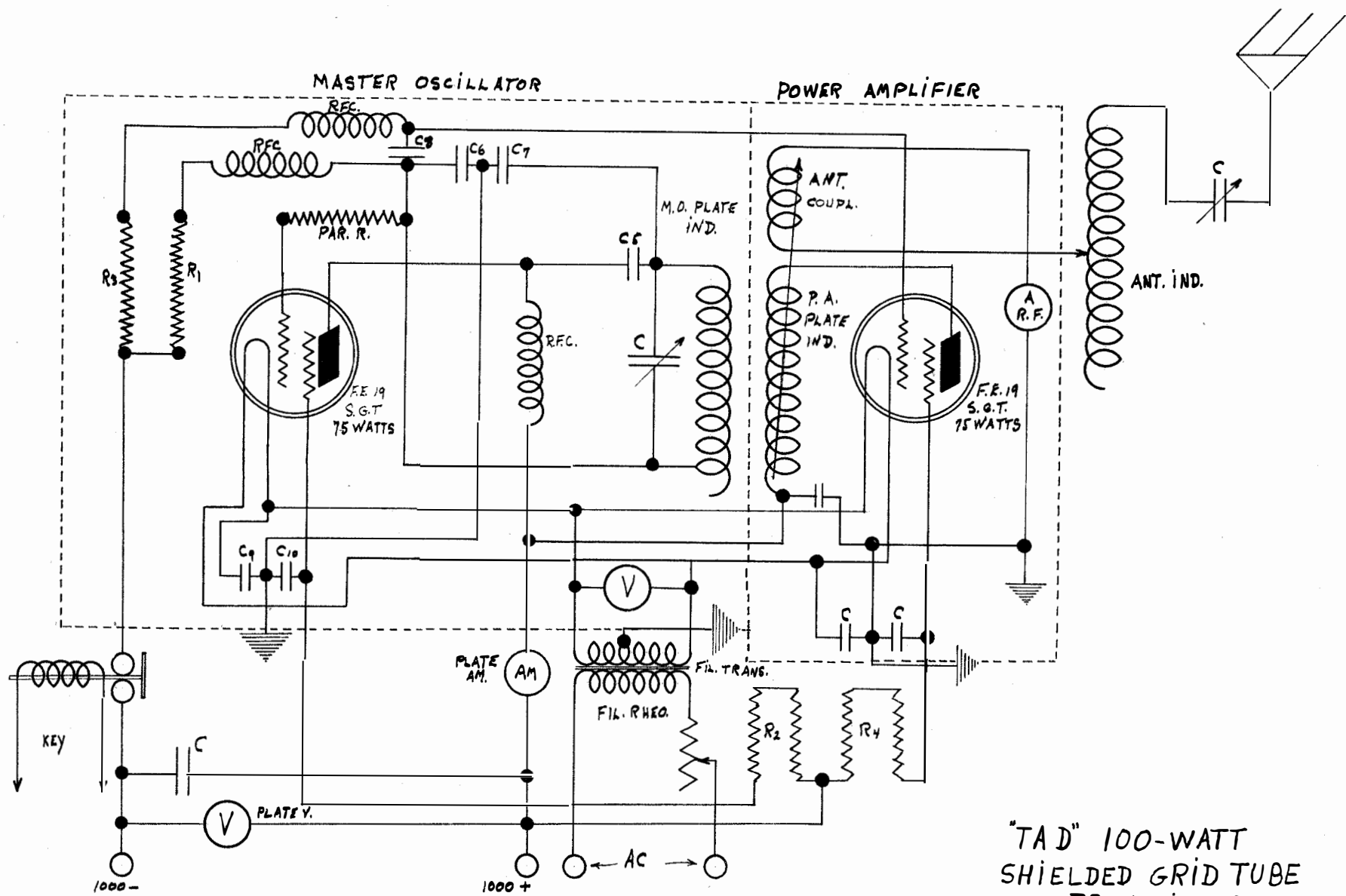
MODEL TB TRANSMITTER
SCHEMATIC DIAGRAM



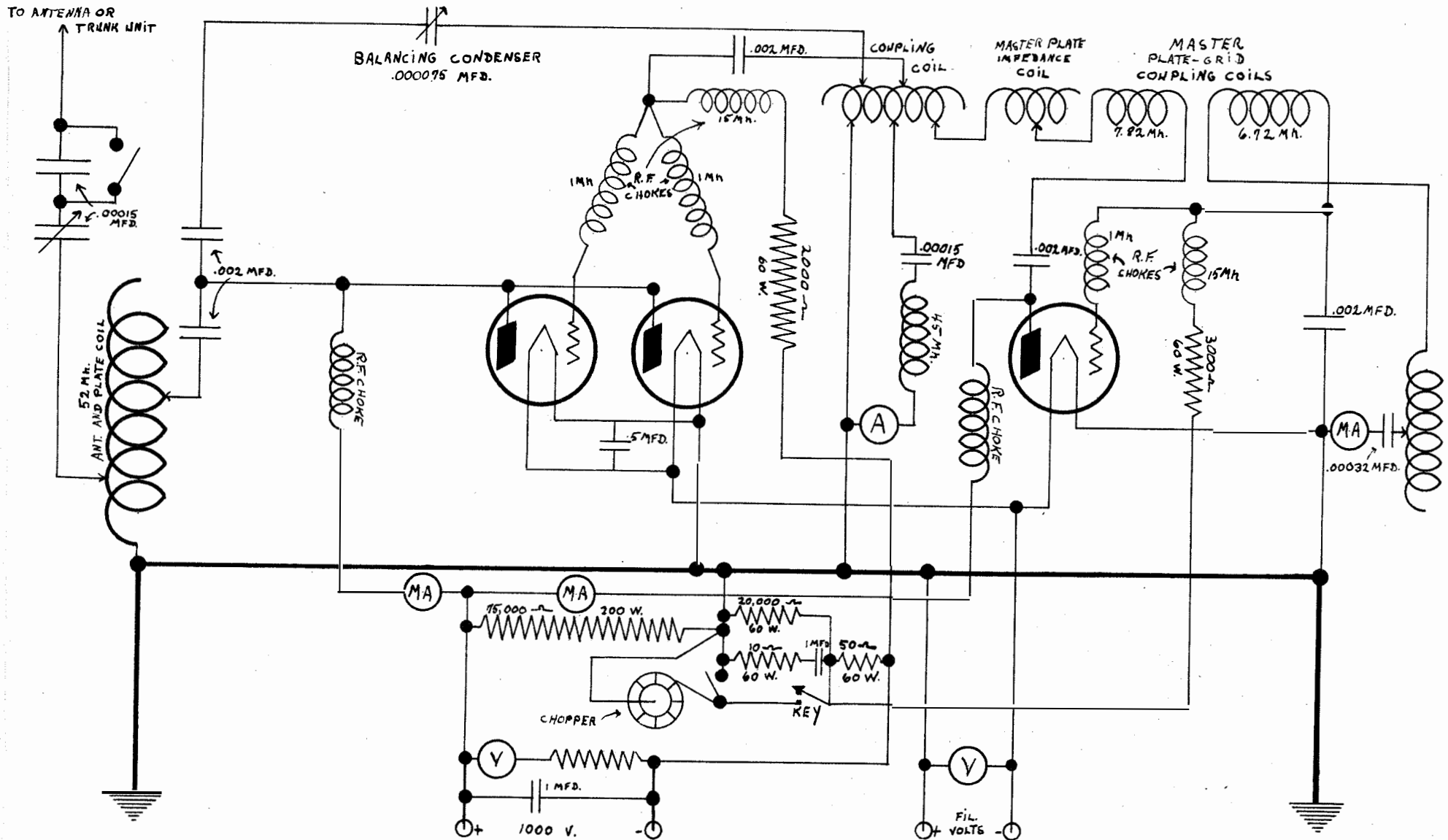
MODEL "TL" TRANSMITTER



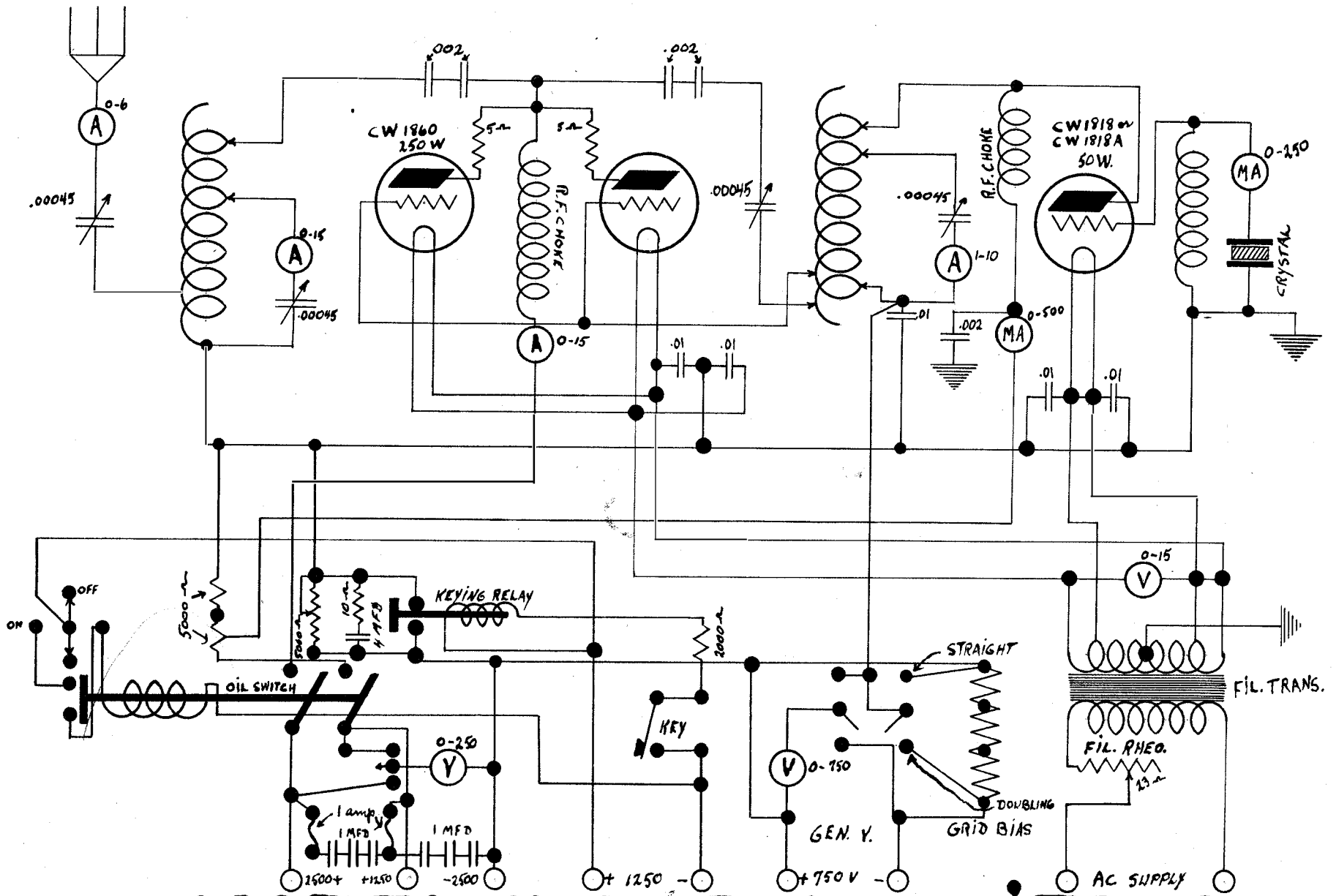
MODEL "TU" TRANSMITTER



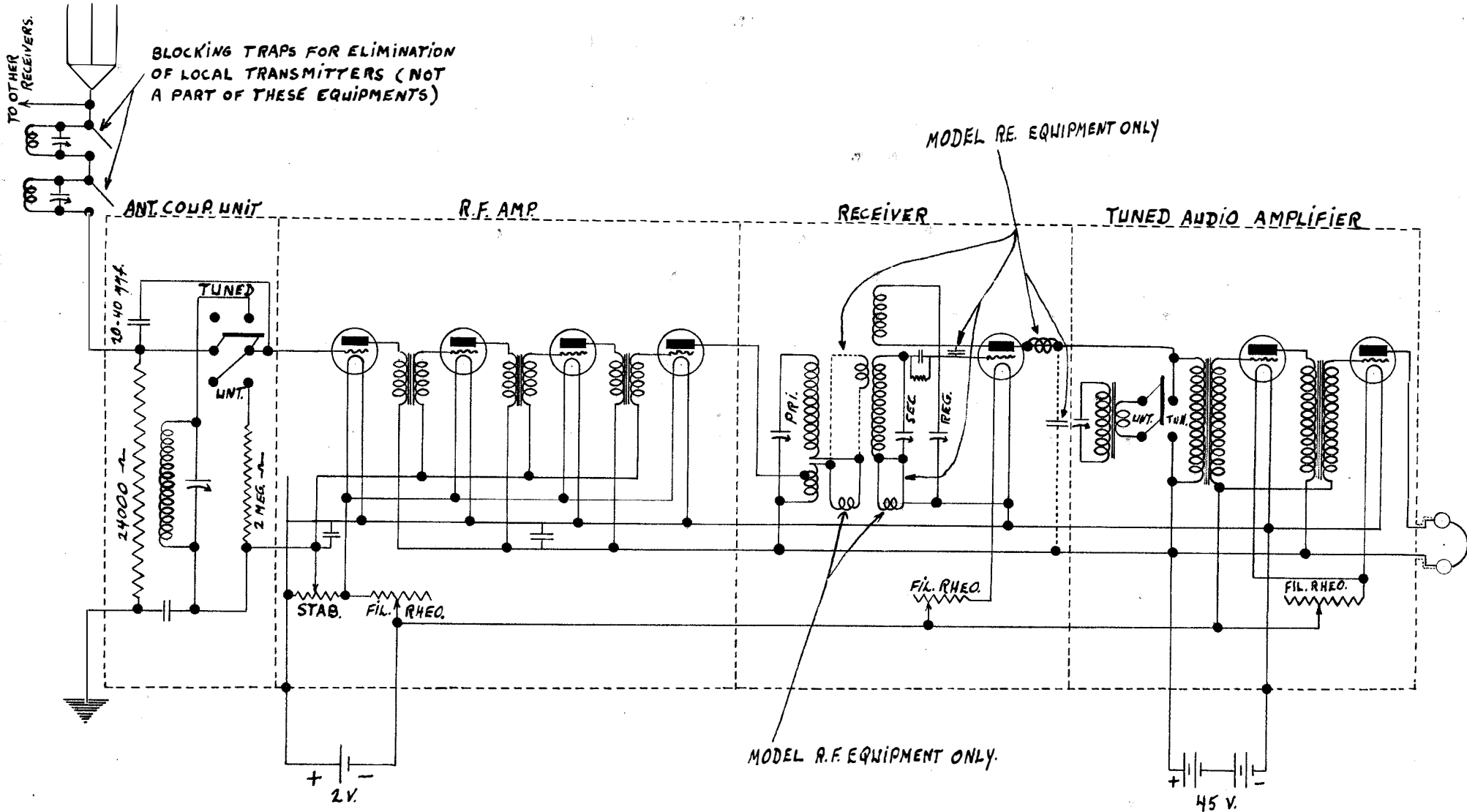
"TAD" 100-WATT
SHIELDED GRID TUBE
TRANSMITTER
SCHEMATIC DIAGRAM



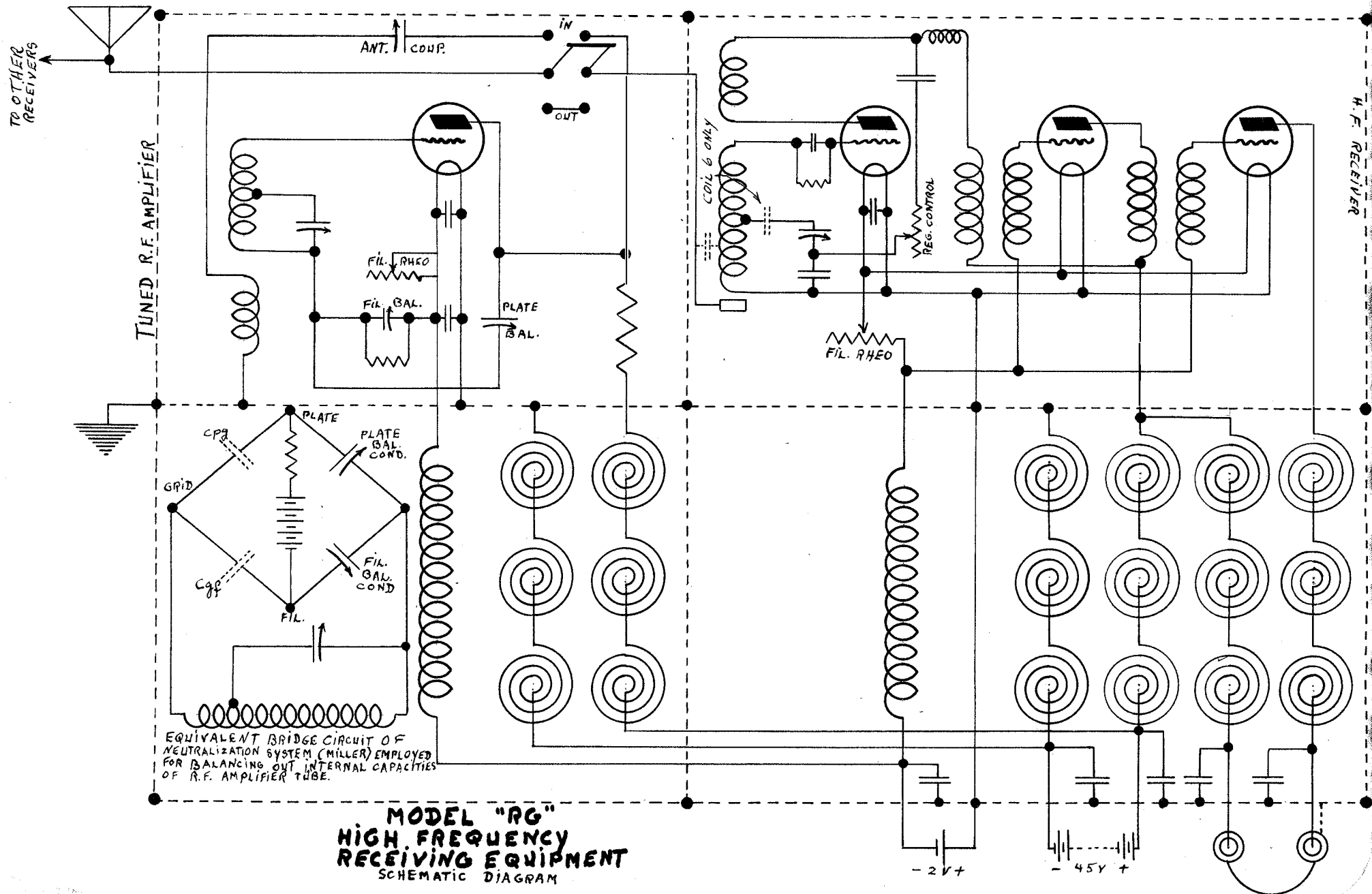
MODELS TV TW TX TRANSMITTERS



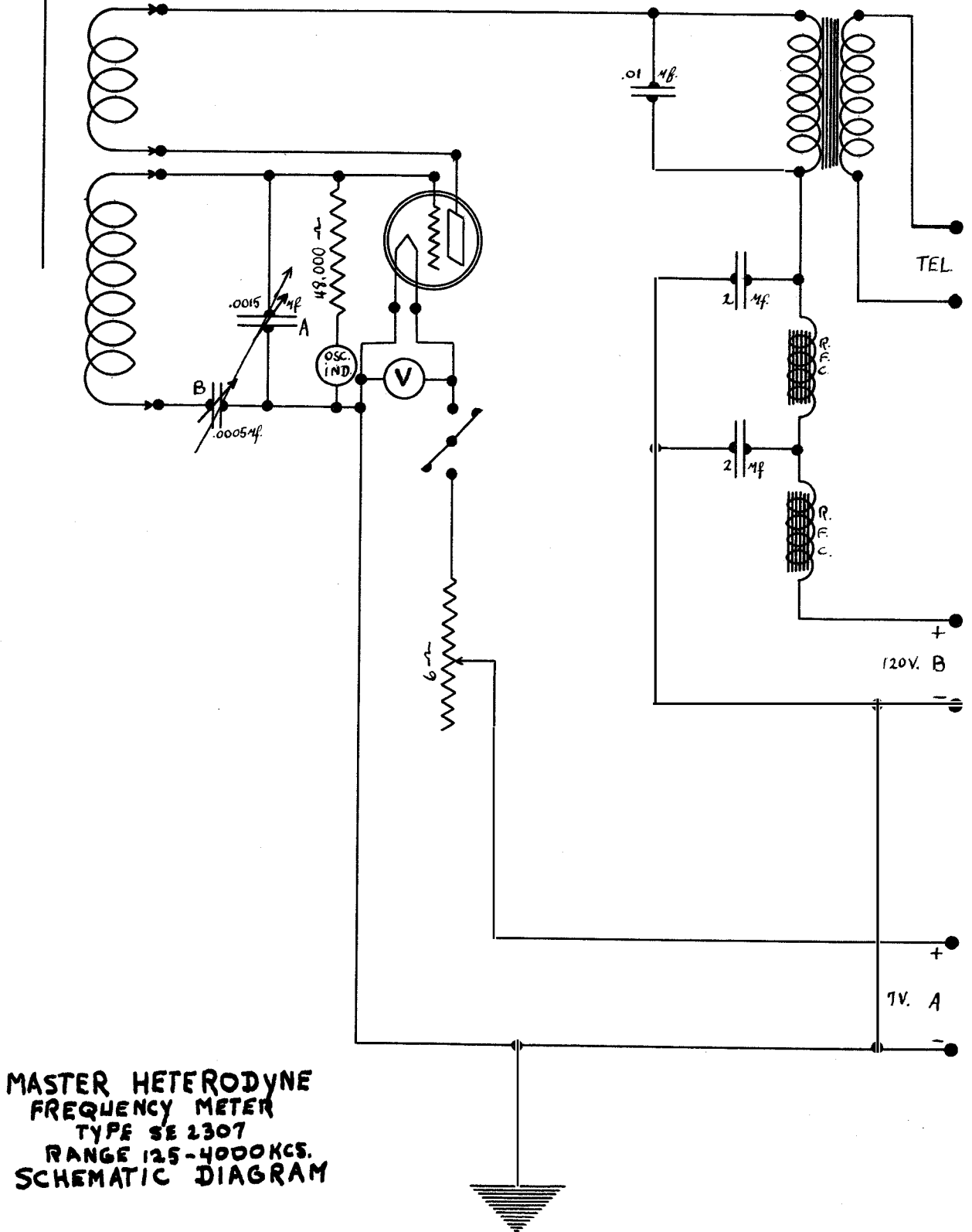
MODEL "XA" TRANSMITTER



MODELS "RE-RF" RECEIVERS



COUPLING



MASTER HETERODYNE
FREQUENCY METER
TYPE SE 2307
RANGE 125-4000KCS.
SCHEMATIC DIAGRAM