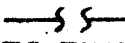


NOTES FOR FIGURE 5-12

GENERAL NOTES

- A. SWITCH CONTACT CONNECTS FOR VARIOUS MODES AS LISTED IN CHART 1.
- B.  INDICATES BREAK POINTS USED TO REDUCE DIAGRAM CLUTTER. TO FIND MATING END OF BROKEN LINE, PROCEED FROM BREAK POINT IN PARALLEL WITH DIAGRAM BORDER.

| CHART 1                   |                       |                       |                       |                       |
|---------------------------|-----------------------|-----------------------|-----------------------|-----------------------|
| MODE SELECTOR SWITCH A2S2 |                       |                       |                       |                       |
| FUNCTION                  | SECTION D-R TERMINALS | SECTION C-R TERMINALS | SECTION E-R TERMINALS | SECTION E-F TERMINALS |
| LSB                       | 3-12                  | —                     | —                     | —                     |
| RATT                      | —                     | 5-12                  | 1-2                   | 1-2, 4-6              |
| AM                        | 5-12                  | 6-12                  | —                     | —                     |
| CW                        | —                     | —                     | 3-4                   | 6-8                   |
| USB                       | 9-12                  | 8-12                  | —                     | —                     |
| ISB                       | 10-12                 | 9-12                  | 5-6                   | —                     |
| ISB/RATT                  | 11-12                 | 10-12                 | —                     | 9-11                  |

SPECIFIC NOTES

1. RESISTOR A2R6 IS 1 MEGOHM; THE CW HOLD TIME IS INCREASED BY DECREASING THE VALUE OF A2R6.
2. ALL RELAYS SHOWN IN DEENERGIZED POSITION.

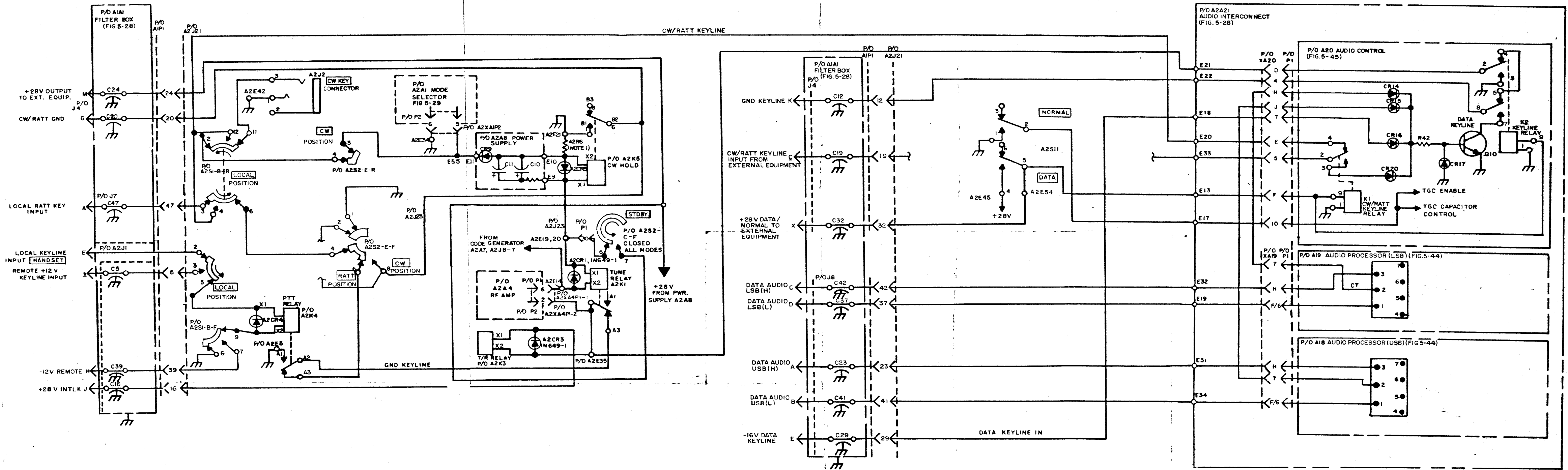


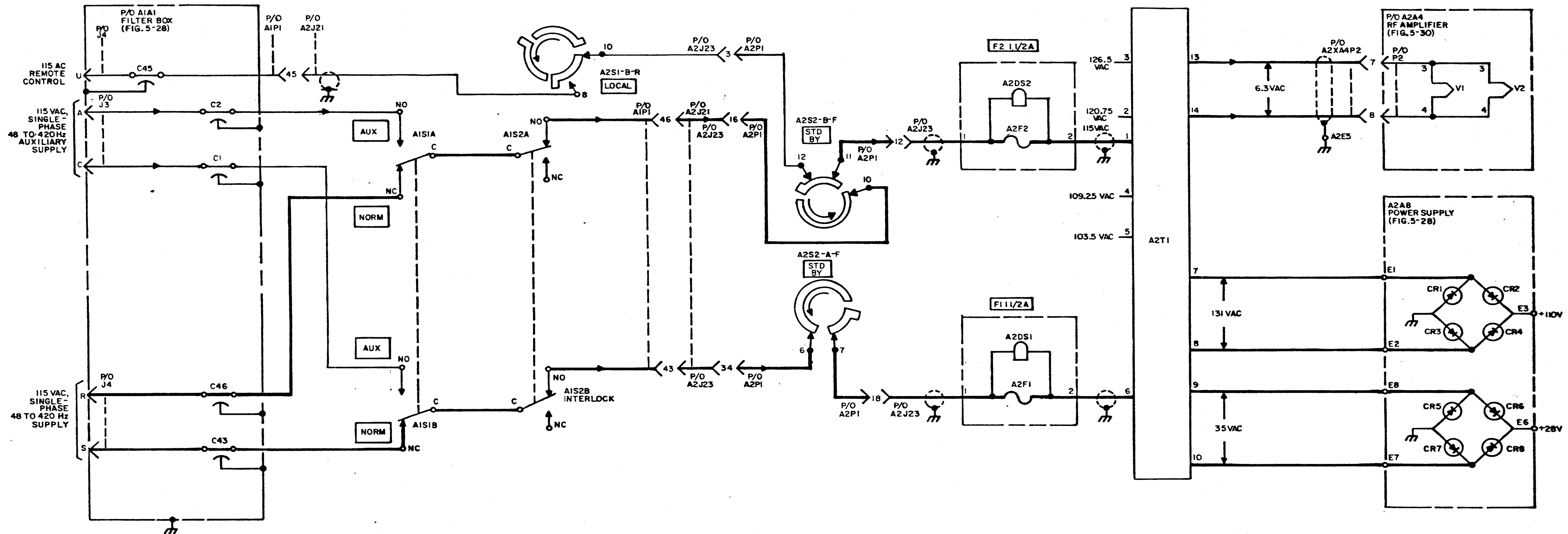
Figure 5-12. CW, RATT, DATA and PTT Keying, Control Diagram

**GENERAL NOTES:**

A.  INDICATES EQUIPMENT MARKING.

B. MODE SELECTOR SWITCH A2S2 CONTACT CONNECTIONS FOR ALL MODES EXCEPT OFF ARE AS FOLLOWS:

| SECTION | CONTACTS CONNECTED |
|---------|--------------------|
| B-F     | 11-10              |
| A-F     | 6-7                |



From Preliminary Manual

From Preliminary Manual

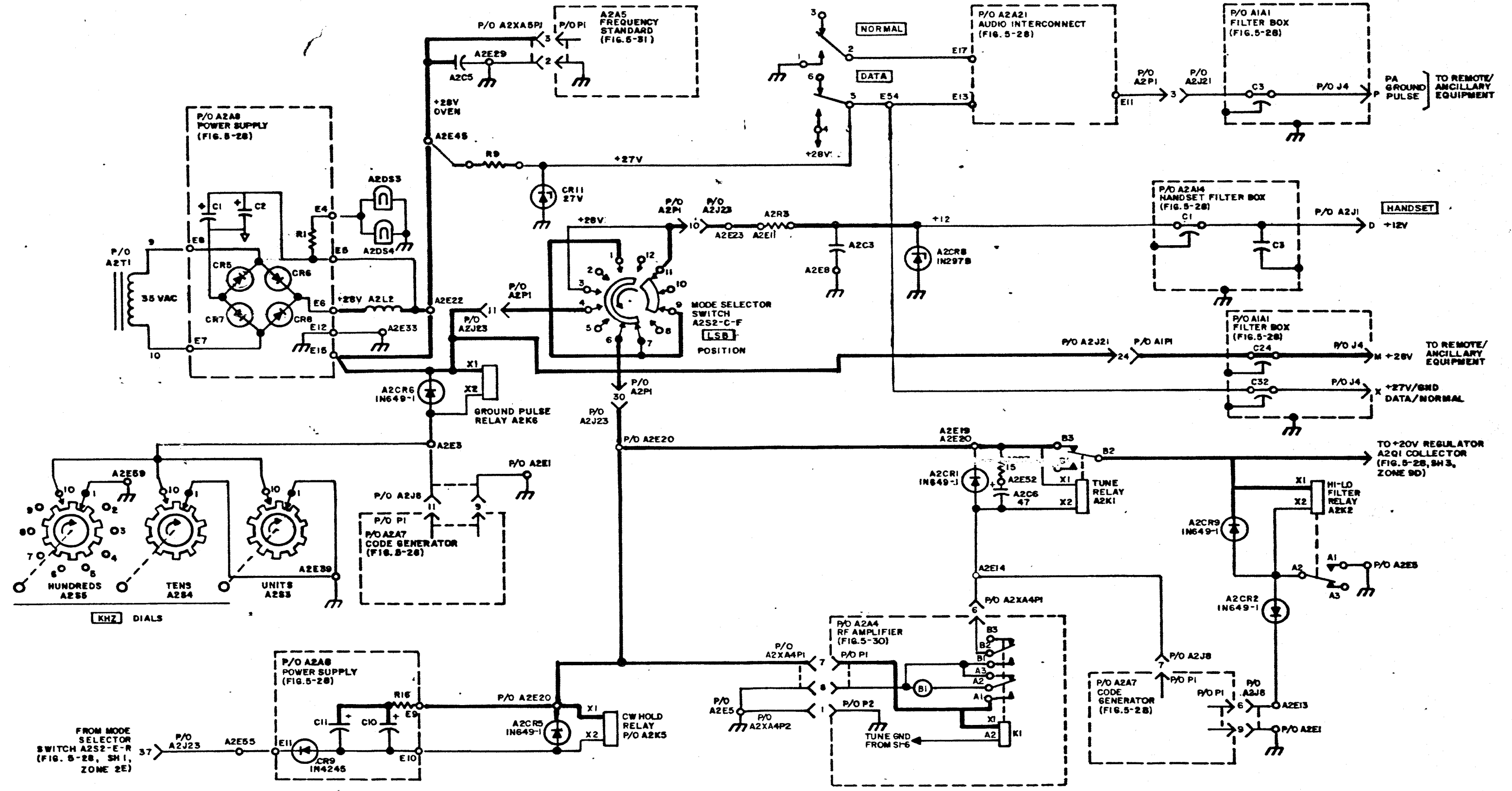
Figure 5-13. Primary Ac Power Distribution Diagram

**GENERAL NOTES**

- A. UNLESS OTHERWISE SPECIFIED:  
 ALL RESISTANCE IS IN OHMS.  
 ALL CAPACITANCE IS IN MICROFARADS.  
 ALL RELAYS SHOWN IN DEENERGIZED POSITION.

B. ACTIVE SWITCH CONTACT CLOSURES FOR MODES FOLLOW:

| MODE SELECTOR SWITCH A2S2-C-F |            |
|-------------------------------|------------|
| FUNCTION                      | TERMINALS  |
| LSB                           | 9-11, 6-7  |
| RATT                          | 6-7        |
| AM                            | 9-11, 6-7  |
| CW                            | 6-7        |
| USB                           | 6-7, 10-12 |
| ISB                           | 3-4, 6-7   |
| ISB/RATT                      | 5-3, 6-7   |



From Preliminary Manual

Figure 5-14. +28 V Power Distribution Diagram

From Preliminary Manual